

13 C-SERIES CUBERS EC606 "C" SERIES AIR, WATER AND REMOTE

Item Code	Part Description	Part Number	GRP	EC 606
Shaded Item Code indicates updated information				
AIR COOLED				
5	Air Condenser	9141084-01	AC	X
10	Fan Blade	9131332-02	AC	X
15	Fan Motor	9161089-01	AC	X
20	Fan Motor Bracket	9131054-01	AC	X
25	Fan Shroud	3012526-01	AC	X
30	Fan Shroud Screw #8-18x1/2	9031046-02	AC	X
COMPRESSOR AND COMPONENTS (*Kit Includes Drier and Start Components)				
100	*Compressor Kit	9181083-11	C	X
105	Run Capacitor	9181009-11	C	X
110	Start Capacitor	9181003-20	C	X
115	Start Relay	9181010-12	C	X
ELECTRICAL				
	Potentiometer Kit	NLA	E	X
205	Bin Control Thermostat 3 Pole (96")	9041055-01	E	X
210	Contactator - 1 Pole 230V	9101002-04	E	X
215	Terminal Board - 3 Pole	9101037-01	E	X
216	Common Terminal Board	9101129-01	E	X
235	Switch Assy-Bin Control (Curtain)	2061471-02	E	X
240	Switch - Bin Control Limit (Curtain)	NLA	E	X
245	Switch - On/Off/Wash (Rocker)	9101138-01	E	X
250	Switch - Purge (Rocker)	9101139-02	E	X
260	Water Pump Cordset	9101218-05	E	X
270	Condensor Thermistor	9101150-06	E	X
270	Evaporator Thermistor Kit	1051088-01	E	X
272	Controller Board With Adapters	1051076-01	E	X
280	Standoff	NLA	E	X
285	Controller Board Harness	NLA	E	X
290	Controller Board Front Panel LED	NLA	E	X
291	Display Module-LED Black/Silver	NLA	E	X
292	Thermistor Adapter	NLA	E	X
EVAPORATOR				
300	Evaporator Plastic Bottom	9051135-04	EV	X
305	Evaporator Plastic Side Panel LH	9051136-05	EV	X
310	Evaporator Plastic Side Panel RH	9051136-06	EV	X
315	Evaporator Plastic Top - Spillway	9051135-05	EV	X
320	Evaporator Plate Assy - Full Cube	2051148-81	EV	X
320	Evaporator Plate Assy - Half Cube	2051148-82	EV	X
320	Evaporator Plate Assy - Jumbo	NLA	EV	X
HARVEST MOTOR ASSEMBLY				
900	Bushing-Plastic	9051001-13	HA	X
905	Clutch (Cam) 10 Degree	9131190-02	HA	X
910	Connecting Rod	9051057-01	HA	X
915	Drip Shield	3012280-01	HA	X
920	Harvest Probe Assy 230V	2061962-09	HA	X
925	Hex Nut 10 x 32 (Swivel/Shaft)	9031005-03	HA	X
930	Nut Plate (Switch Screws)	9031120-01	HA	X
935	Probe Motor 230V	9161031-01	HA	X
940	Probe Shaft for 20619620-02S	9131189-01	HA	X
940	Probe Shaft for 2061962-09	9021102-01	HA	X
945	Screw Shoulder-Rod/Clutch	9031119-01	HA	X
950	Screw #4-40x3/4 (Switch)	9031008-16	HA	X
955	Screw #6-32x1/2 (Motor)	9031019-08	HA	X

13 C-SERIES CUBERS EC606 "C" SERIES AIR, WATER AND REMOTE

Item Code	Part Description	Part Number	GRP	EC 606
Shaded Item Code indicates updated information				

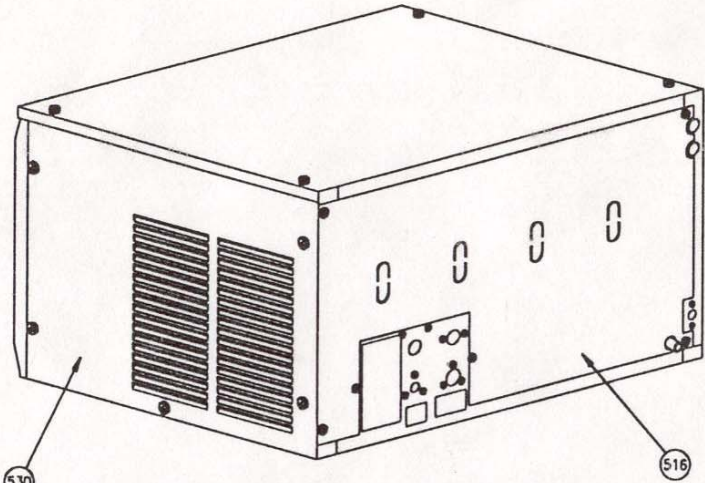
HARVEST MOTOR ASSEMBLY (Continued)				
960	Switch Insulator (Micro)	3051145-01	HA	X
965	Switch - Cam (Micro)	9101160-02	HA	X
970	Swivel for 9131189-01	9021017-02	HA	X
975	Washer - Flat #10, Stainless	9031003-03	HA	X
MISCELLANEOUS				
405	Hose Clamp #14	9021010-03	M	X
410	Hose Clamp #18	9021010-04	M	X
420	Ice Deflector Kit (W/O Thermo-well)	1051026-01	M	X
425	Ice Deflector Kit (With Thermo-well)	1051026-03	M	X
430	Ice Deflector	3012522-01	M	X
435	Screw Retainer (Rubber Washer)	9031004-19	M	X
440	Screw - Water Trough	9031046-17	M	X
445	Screw - Water Tube Assy	9031122-01	M	X
455	Water Trough Clip	3012545-01	M	X
460	Plastic Nut (Square Screw Retainer)	9031141-01	M	X
PANELS				
502	Control Box Cover	NLA	P	X
506	Front Panel - S/S - No Display	2031335-02	P	X
510	J Clip	9021060-01	P	X
514	Rear Brace	3012515-01	P	X
516	Rear Panel	3021658-01	P	X
518	Screw Front Panel	9031046-14	P	X
524	Screw Panel	9031074-01	P	X
528	Side Panel LH W/O Louvers	NLA	P	X
528	Side Panel LH W/O Louvers Stainless	3021378-04	P	X
530	Side Panel RH W/Louvers	NLA	P	X
530	Side Panel RH W/Louvers Stainless	3021378-02	P	X
536	Top Panel	NLA	P	X
536	Top Panel Stainless	3021433-01	P	X
REFRIGERATION				
605	Expansion Valve (R404a)	9151006-08	REF	X
615	Filter Drier	9151004-02	REF	X
620	High Pressure Control (450 PSI)	9041051-04	REF	X
625	Hot Gas Valve Body - ALCO	9151123-01	REF	X
630	Hot Gas Valve Coil - ALCO 230V	9151123-04	REF	X
REMOTE				
700	Accumulator Assembly	2091142-01	REM	X
710	Filter Drier - Remote	9151004-04	REM	X
715	Liquid Line Solenoid Body - ALCO	9151123-02	REM	X
720	Liquid Line Solenoid Coil - ALCO 230V	9151123-04	REM	X
725	Mixing Valve	9151027-02	REM	X
730	Pump Down Control	9041072-01	REM	X
735	Receiver	9151074-01	REM	X
REMOTE CONDENSER				
740	Coupling Half Bulkhead 1/2	9091001-12	RC	X
745	Coupling Half Bulkhead 3/8	9091001-11	RC	X
750	Coupling Half Lineset 1/2	9091001-08	RC	X
755	Coupling Half Lineset 1/2 W/port	9091001-10	RC	X
760	Coupling Half Lineset 3/8	9091001-02	RC	X
765	Coupling Half Lineset 3/8 W/port	9091001-04	RC	X
766	Coupling Half Mounting Flange 1/2	9091001-09	RC	X

13 C-SERIES CUBERS EC606 "C" SERIES AIR, WATER AND REMOTE

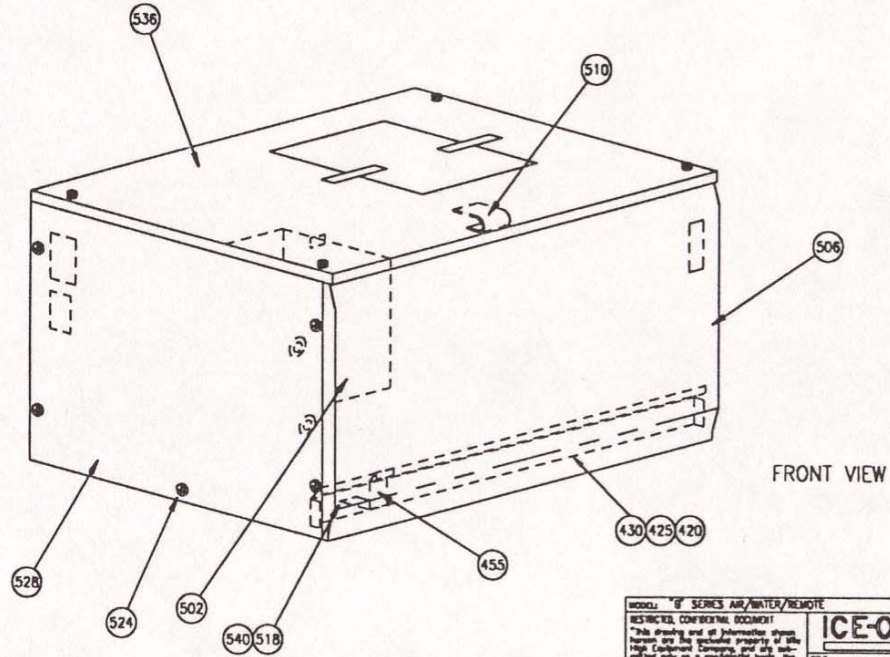
Item Code	Part Description	Part Number	GRP	EC 606
Shaded Item Code indicates updated information				
REMOTE CONDENSER (Continued)				
767	Coupling Half Mounting Flange 3/8	9091001-03	RC	X
770	Fan Blade (LARKIN ONLY)	1011179-98	RC	X
775	Fan Motor (LARKIN ONLY) (230V)	1011179-99	RC	X
780	Fan Shroud (LARKIN ONLY)	1011179-97	RC	X
WATER COOLED				
797	Drier	9151004-02	WC	X
790	Water Condenser-4 Rows	9141024-01	WC	X
795	Water Regulator Valve	9041059-01	WC	X
WATER DISTRIBUTION				
800	Water Distribution Tube	2041338-01	WD	X
805	Water Inlet Fitting (Drop Adapter)	9091074-01	WD	X
807	Water Inlet Fitting (With Hex Retainer)	9091083-01	WD	X
810	Water Inlet Tubing (26 inches)	6021032-01	WD	X
815	Water Pump Tube	9051142-01	WD	X
820	Water Splash Curtain	9051154-08	WD	X
825	Water Trough	9051153-06	WD	X
830	Water Purge Drain Tube	9051280-01	WD	X
WATER FLOAT				
845	Water Float Assy	9131111-01	WF	X
850	Water Float Deflector	3051162-01	WF	X
WATER PUMP				
865	Water Pump Bracket, Stainless Steel	3012509-01	WP	X
875	Water Pump	9161076-02	WP	X
WATER PURGE VALVE				
880	Water Purge Valve Assy 230V	9041060-02	WPV	X
890	Water Purge Valve Coil 230V	9041053-91	WPV	X

REFRIGERANT CHARGE			
MODEL	REF TYPE	OZ.	DP
EC606 AIR	R404a	32	
EC606 WATER	R404a	18	250
EC606 REMOTE	R404a	160	

DP=DISCHARGE PRESSURE SETTING/WATER COOLED CUBERS
 HP=HIGH PRESSURE SAFETY CONTROL SETTING

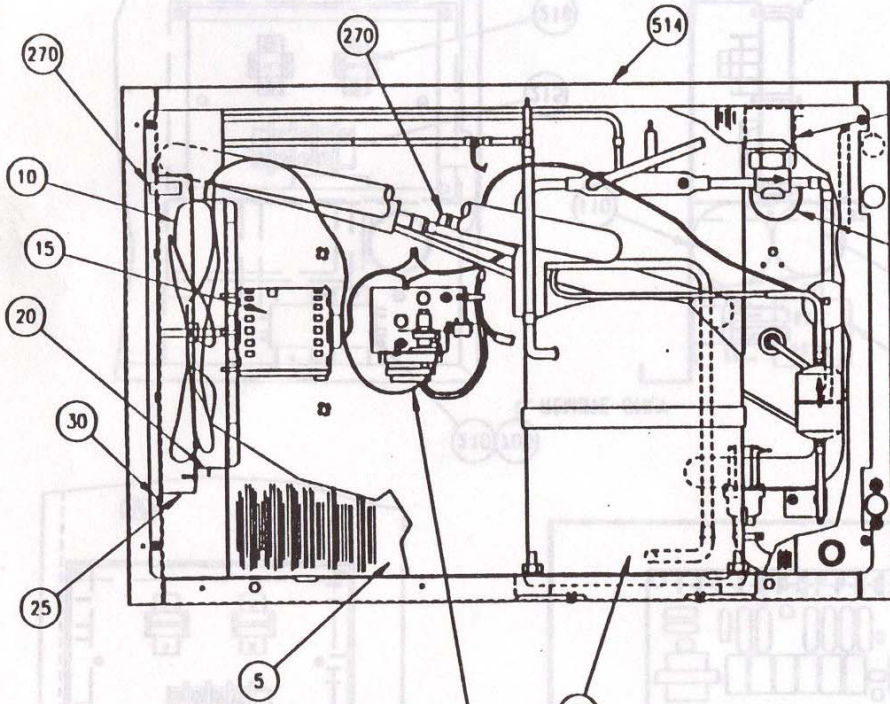


REAR VIEW



FRONT VIEW

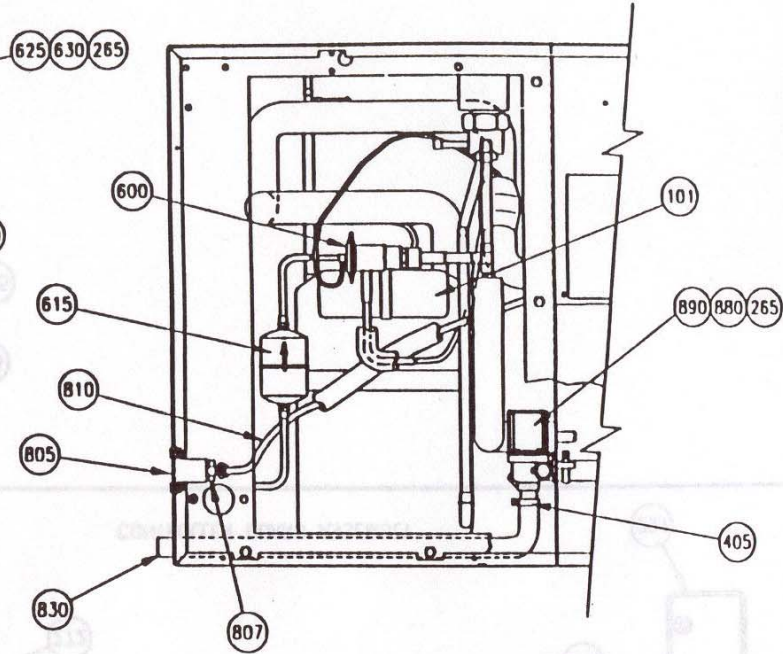
MODEL: "F" SERIES AIR/WATER/REMOTE	
RESTRICTED, CONFIDENTIAL DOCUMENT	
*This drawing and all information shown herein are the exclusive property of the High Equipment Company, and are not to be used or reproduced in any form without the written consent of the High Equipment Company.	
ICE-O-MATIC A FREEMAN COMPANY	
TITLE: PANEL ASSEMBLY	
SCALE: 1-1	DATE: 1/28/58
EC4050-1	



SEE PROBE DETAIL

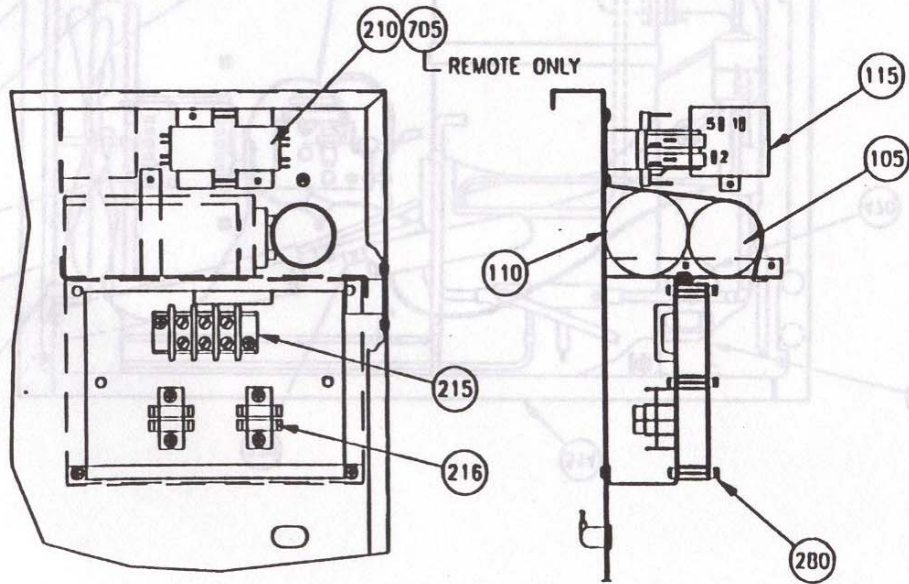
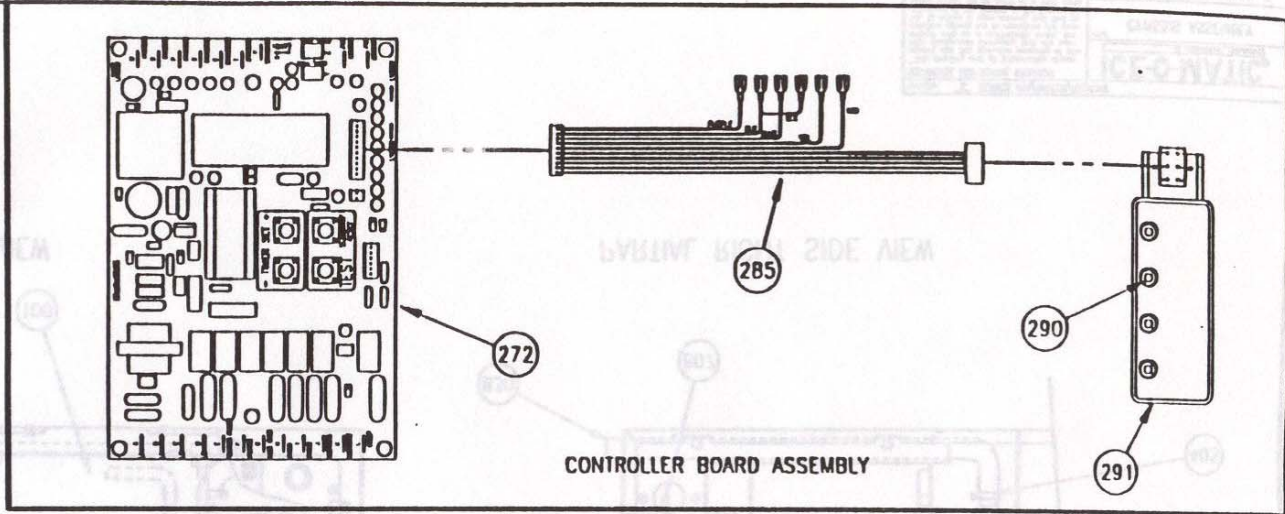
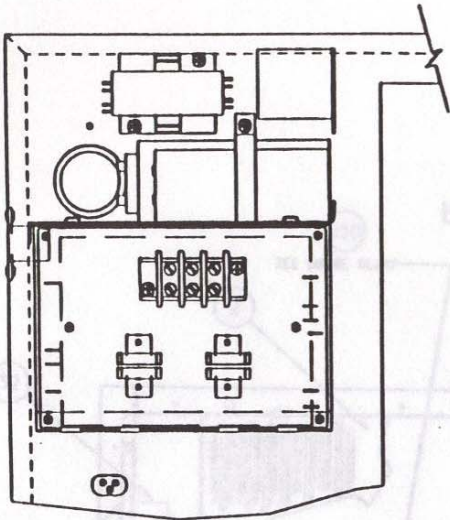
920

REAR VIEW



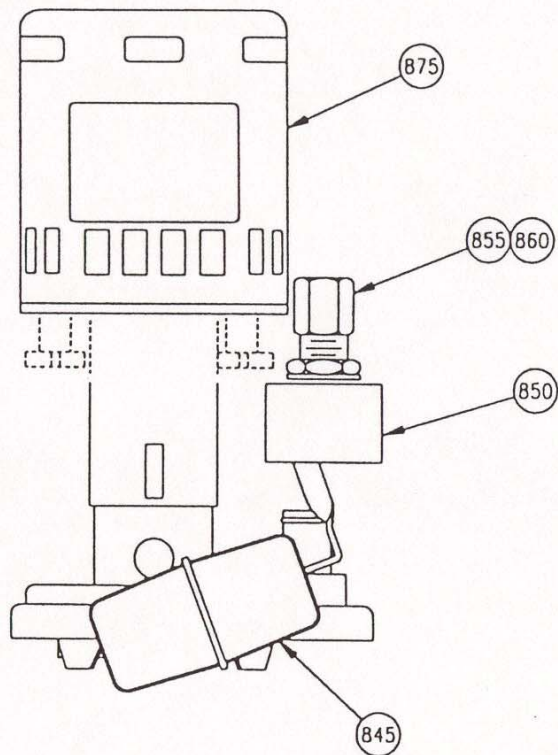
PARTIAL RIGHT SIDE VIEW

<small> MODEL: "C" SERIES AIR FILTER/HEATER GENERAL CHASSIS MOUNTED This drawing and all information thereon are the property of the manufacturer and shall remain confidential. No part of this drawing shall be reproduced or transmitted in any form or by any means, electronic, mechanical, photocopying, recording, or otherwise, without the prior written permission of the manufacturer. </small>		ICE-O-MATIC <small>A KAYMATIC COMPANY</small>
CHASSIS ASSEMBLY		ECA050-6

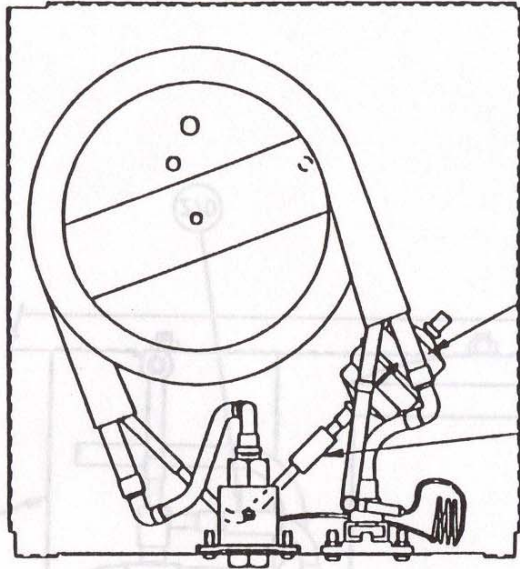


MODEL 681/61/111 "C" SERIES
 ICE-O-MATIC CORPORATION
 This assembly and its components are
 designed and manufactured to meet the
 requirements of the National Fire Protection
 Association (NFPA) and the International
 Brotherhood of Firefighters (IBFF) for
 use in fire alarm systems. It is not
 intended for use in other applications.
 Copyright © 1981 ICE-O-MATIC CORPORATION
 All rights reserved.

ICE-O-MATIC
 CONTROL BOX
 ASSEMBLY
 1-1 101 61 6101210X

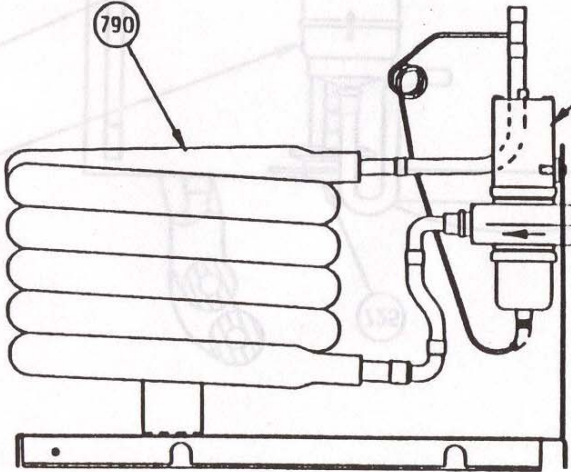


<small> MODEL: 4/5/6/7/8/9/10/11/12/13/14/15/16/17/18/19/20/21/22/23/24/25/26/27/28/29/30/31/32/33/34/35/36/37/38/39/40/41/42/43/44/45/46/47/48/49/50/51/52/53/54/55/56/57/58/59/60/61/62/63/64/65/66/67/68/69/70/71/72/73/74/75/76/77/78/79/80/81/82/83/84/85/86/87/88/89/90/91/92/93/94/95/96/97/98/99/100/101/102/103/104/105/106/107/108/109/110/111/112/113/114/115/116/117/118/119/120/121/122/123/124/125/126/127/128/129/130/131/132/133/134/135/136/137/138/139/140/141/142/143/144/145/146/147/148/149/150/151/152/153/154/155/156/157/158/159/160/161/162/163/164/165/166/167/168/169/170/171/172/173/174/175/176/177/178/179/180/181/182/183/184/185/186/187/188/189/190/191/192/193/194/195/196/197/198/199/200/201/202/203/204/205/206/207/208/209/210/211/212/213/214/215/216/217/218/219/220/221/222/223/224/225/226/227/228/229/230/231/232/233/234/235/236/237/238/239/240/241/242/243/244/245/246/247/248/249/250/251/252/253/254/255/256/257/258/259/260/261/262/263/264/265/266/267/268/269/270/271/272/273/274/275/276/277/278/279/280/281/282/283/284/285/286/287/288/289/290/291/292/293/294/295/296/297/298/299/300/301/302/303/304/305/306/307/308/309/310/311/312/313/314/315/316/317/318/319/320/321/322/323/324/325/326/327/328/329/330/331/332/333/334/335/336/337/338/339/340/341/342/343/344/345/346/347/348/349/350/351/352/353/354/355/356/357/358/359/360/361/362/363/364/365/366/367/368/369/370/371/372/373/374/375/376/377/378/379/380/381/382/383/384/385/386/387/388/389/390/391/392/393/394/395/396/397/398/399/400/401/402/403/404/405/406/407/408/409/410/411/412/413/414/415/416/417/418/419/420/421/422/423/424/425/426/427/428/429/430/431/432/433/434/435/436/437/438/439/440/441/442/443/444/445/446/447/448/449/450/451/452/453/454/455/456/457/458/459/460/461/462/463/464/465/466/467/468/469/470/471/472/473/474/475/476/477/478/479/480/481/482/483/484/485/486/487/488/489/490/491/492/493/494/495/496/497/498/499/500/501/502/503/504/505/506/507/508/509/510/511/512/513/514/515/516/517/518/519/520/521/522/523/524/525/526/527/528/529/530/531/532/533/534/535/536/537/538/539/540/541/542/543/544/545/546/547/548/549/550/551/552/553/554/555/556/557/558/559/560/561/562/563/564/565/566/567/568/569/570/571/572/573/574/575/576/577/578/579/580/581/582/583/584/585/586/587/588/589/590/591/592/593/594/595/596/597/598/599/600/601/602/603/604/605/606/607/608/609/610/611/612/613/614/615/616/617/618/619/620/621/622/623/624/625/626/627/628/629/630/631/632/633/634/635/636/637/638/639/640/641/642/643/644/645/646/647/648/649/650/651/652/653/654/655/656/657/658/659/660/661/662/663/664/665/666/667/668/669/670/671/672/673/674/675/676/677/678/679/680/681/682/683/684/685/686/687/688/689/690/691/692/693/694/695/696/697/698/699/700/701/702/703/704/705/706/707/708/709/710/711/712/713/714/715/716/717/718/719/720/721/722/723/724/725/726/727/728/729/730/731/732/733/734/735/736/737/738/739/740/741/742/743/744/745/746/747/748/749/750/751/752/753/754/755/756/757/758/759/760/761/762/763/764/765/766/767/768/769/770/771/772/773/774/775/776/777/778/779/780/781/782/783/784/785/786/787/788/789/790/791/792/793/794/795/796/797/798/799/800/801/802/803/804/805/806/807/808/809/810/811/812/813/814/815/816/817/818/819/820/821/822/823/824/825/826/827/828/829/830/831/832/833/834/835/836/837/838/839/840/841/842/843/844/845/846/847/848/849/850/851/852/853/854/855/856/857/858/859/860/861/862/863/864/865/866/867/868/869/870/871/872/873/874/875/876/877/878/879/880/881/882/883/884/885/886/887/888/889/890/891/892/893/894/895/896/897/898/899/900/901/902/903/904/905/906/907/908/909/910/911/912/913/914/915/916/917/918/919/920/921/922/923/924/925/926/927/928/929/930/931/932/933/934/935/936/937/938/939/940/941/942/943/944/945/946/947/948/949/950/951/952/953/954/955/956/957/958/959/960/961/962/963/964/965/966/967/968/969/970/971/972/973/974/975/976/977/978/979/980/981/982/983/984/985/986/987/988/989/990/991/992/993/994/995/996/997/998/999/1000 </small>	ICE-O-MATIC <small>ICE-O-MATIC COMPANY</small>
	<small> WATER PUMP/FLOAT ASSEMBLY WPUMP </small>



797

270



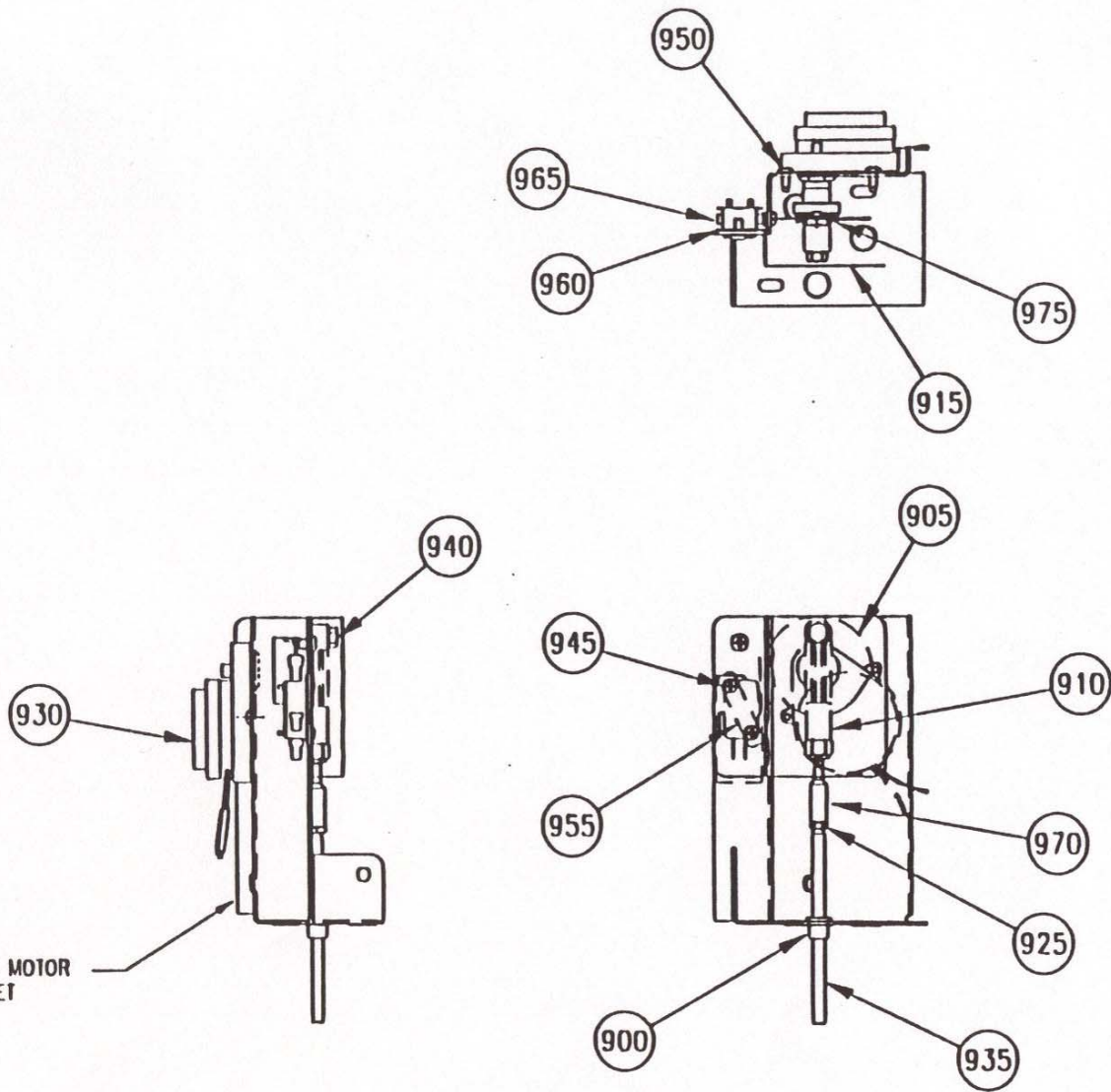
790

795

NOTE: IF REFRIGERANT IS REQUIRED, SEE REFRIGERANT CHARGE PROCEDURE. The drawing and all information on this drawing are the property of the manufacturer and are not to be used for any other purpose without the written consent of the manufacturer. All dimensions are in inches unless otherwise specified. All tolerances are as shown unless otherwise specified. All parts are to be assembled in accordance with the manufacturer's instructions.

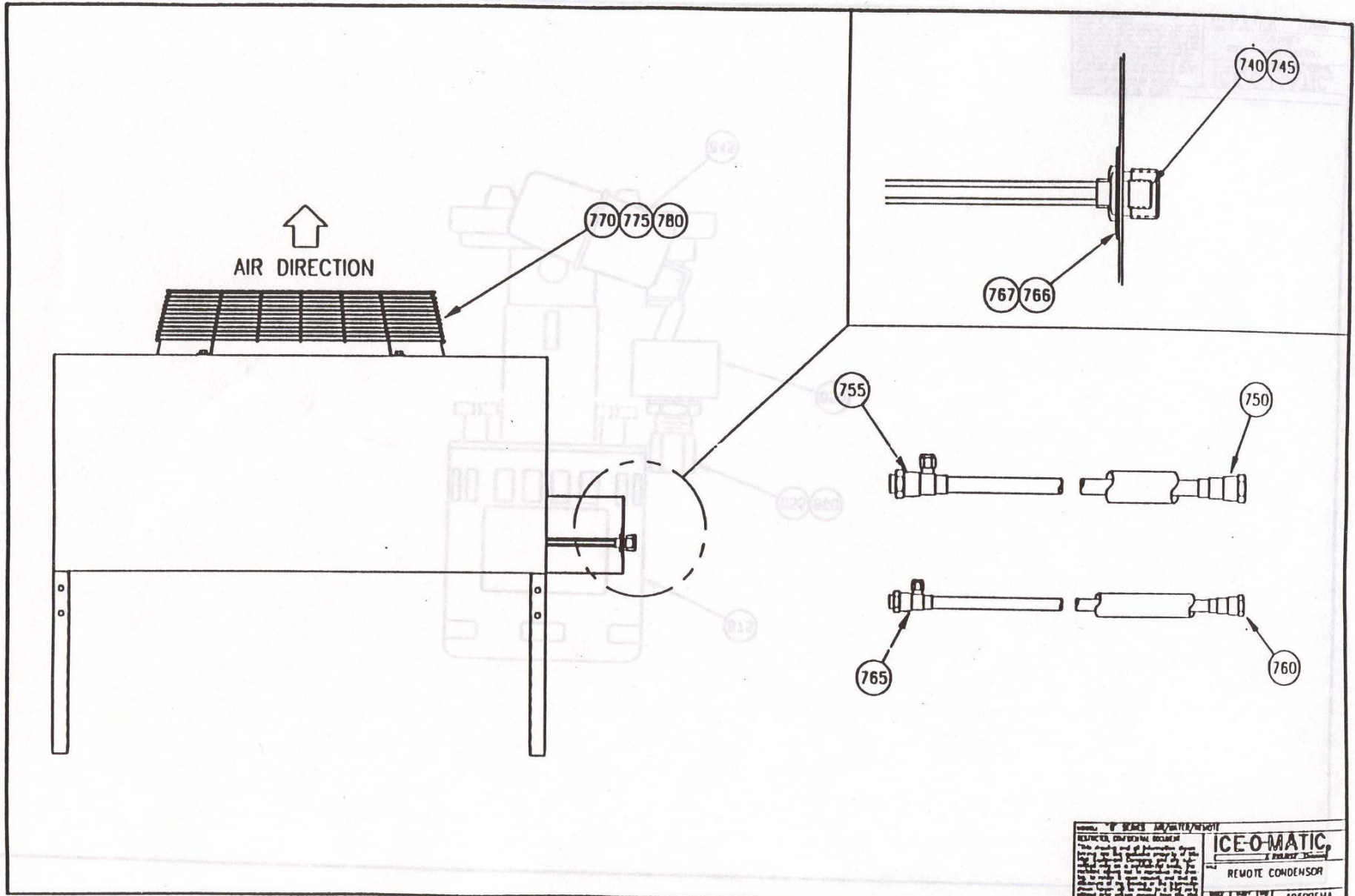
ICE-O-MATIC
 WCOND
 ASSEMBLY
 1-1 10 1/2 WCOND-C

PROBE MOTOR
BRACKET



HARVEST PROBE ASSEMBLY

REVISIONS	ICE-O-MATIC
1.0	PROBE ASSEMBLY
1.1	PROBASSY



↑
AIR DIRECTION

770 775 780

740 745

767 766

755

750

765

760

ICE-O-MATIC
REMOTE CONDENSOR
4050REMA