



ILLUSTRATED PARTS LIST VISUAL MERCHANDISER

COR17VM EXPLODED VIEW

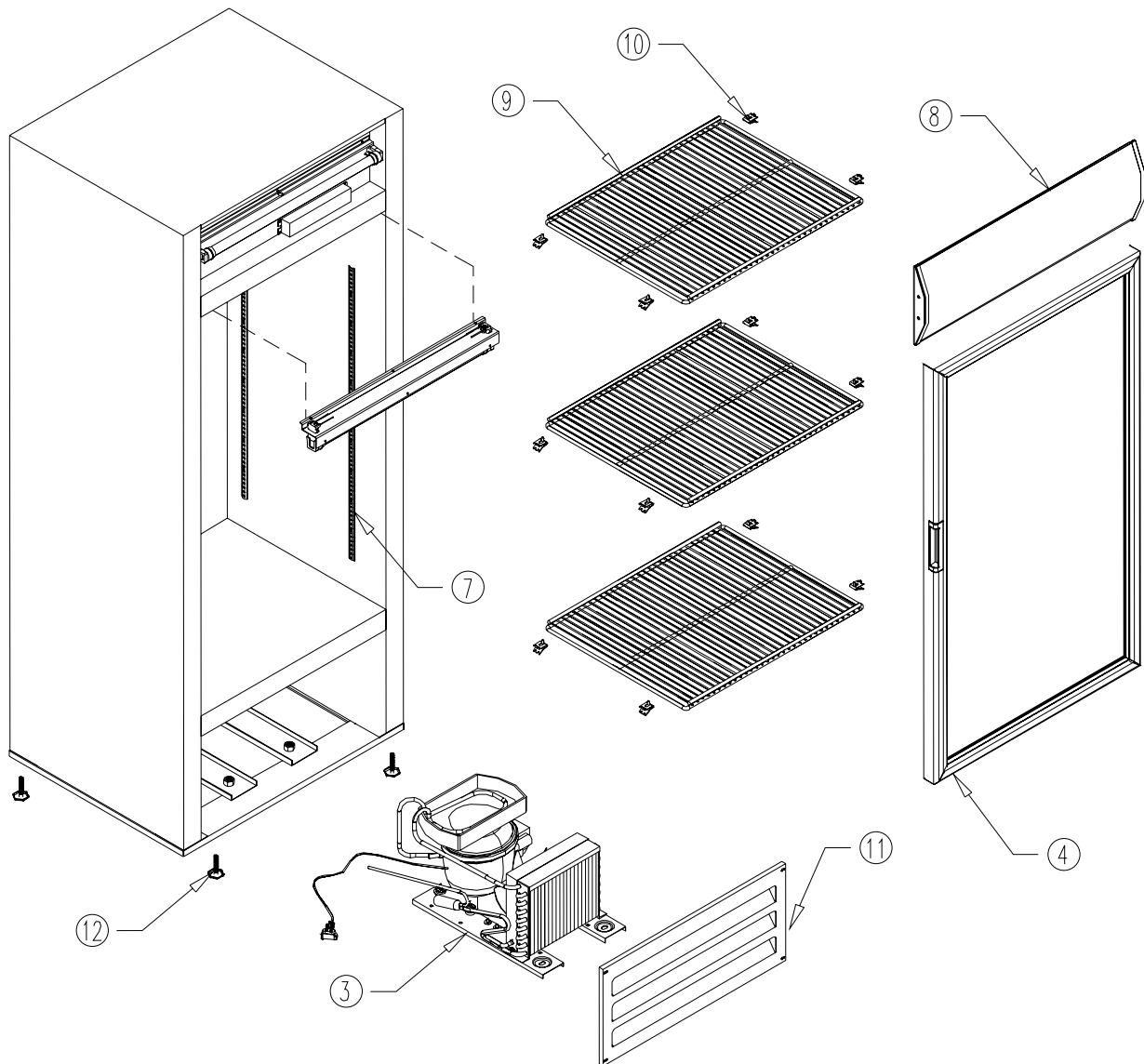


FIGURE 1

Item No.	Part No.	Name
3	FIGURE 3	Condensing unit 1/4 HP 115V/60Hz
4	1034888	Swing door system
7	1033239	Pilaster 36"
8	1034892	Header sign

Item No.	Part No.	Name
9	1034900	Flat shelf
10	1033450	Shelf clips
11	1034901	Front grill
12	1033235	Leveling legs

COR17VM

REFRIGERATION SYSTEM

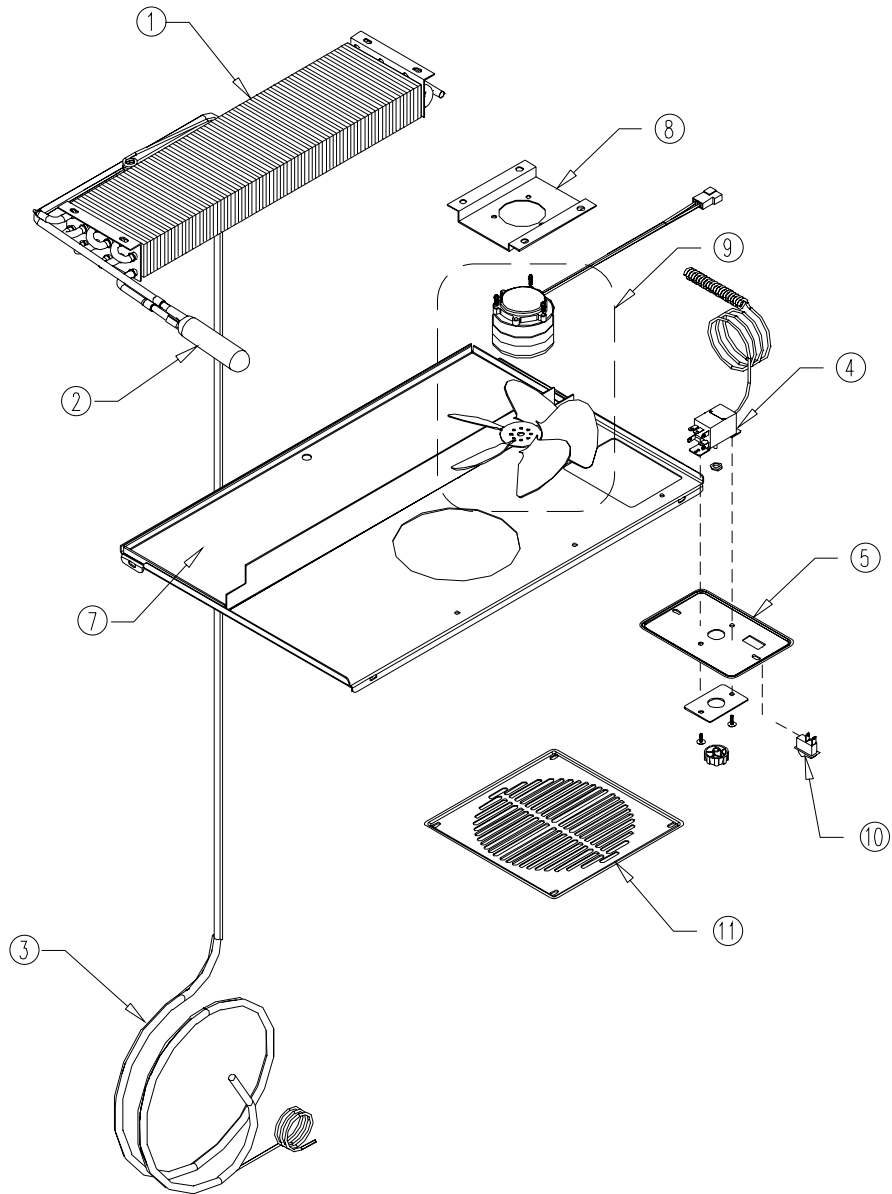


FIGURE 2

Item No.	Part No.	Name
1	1034884	Evaporator
2	1033243	Accumulator
3	1035391	Heat exchanger
4	1036811	Thermostat
5	1037649	Thermostat bracket

Item No.	Part No.	Name
7	1034885	Evaporator pan
8	1035042	Fan motor bracket
9	1034855	Fan motor and blade
10	1034886	Light switch
11	1033247	Fan guard

COR17VM

CONDENSING UNIT ASSEMBLY AND ITS COMPONENTS

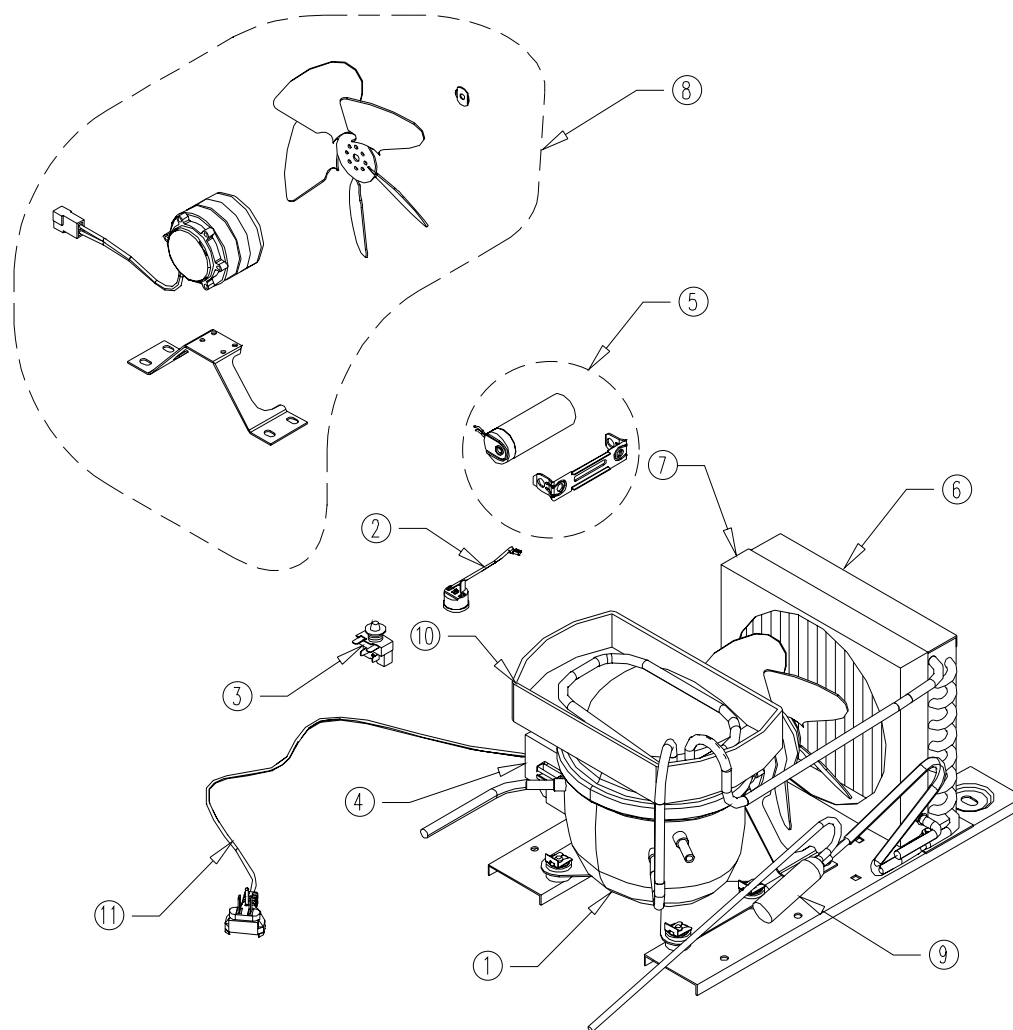


FIGURE 3

Item No.	Part No.	Name
1	1033248	Compressor 1/5 HP 115V/60H
2	1033250	Overload protector 4TM762PFBZZ-53
3	1033251	Relay 213516507
4	1033233	Electrical box
5	1033234	Start capacitor 243-292 μ F

Item No.	Part No.	Name
6	1034882	Condenser
7	1034883	Condenser shroud
8	1034855	Condenser fan motor and blade
9	1033253	Drier
10	1033254	Compressor evaporation tray
11	1033255	Power cord

COR17VM

SWING DOOR ASSEMBLY AND ITS COMPONENTS

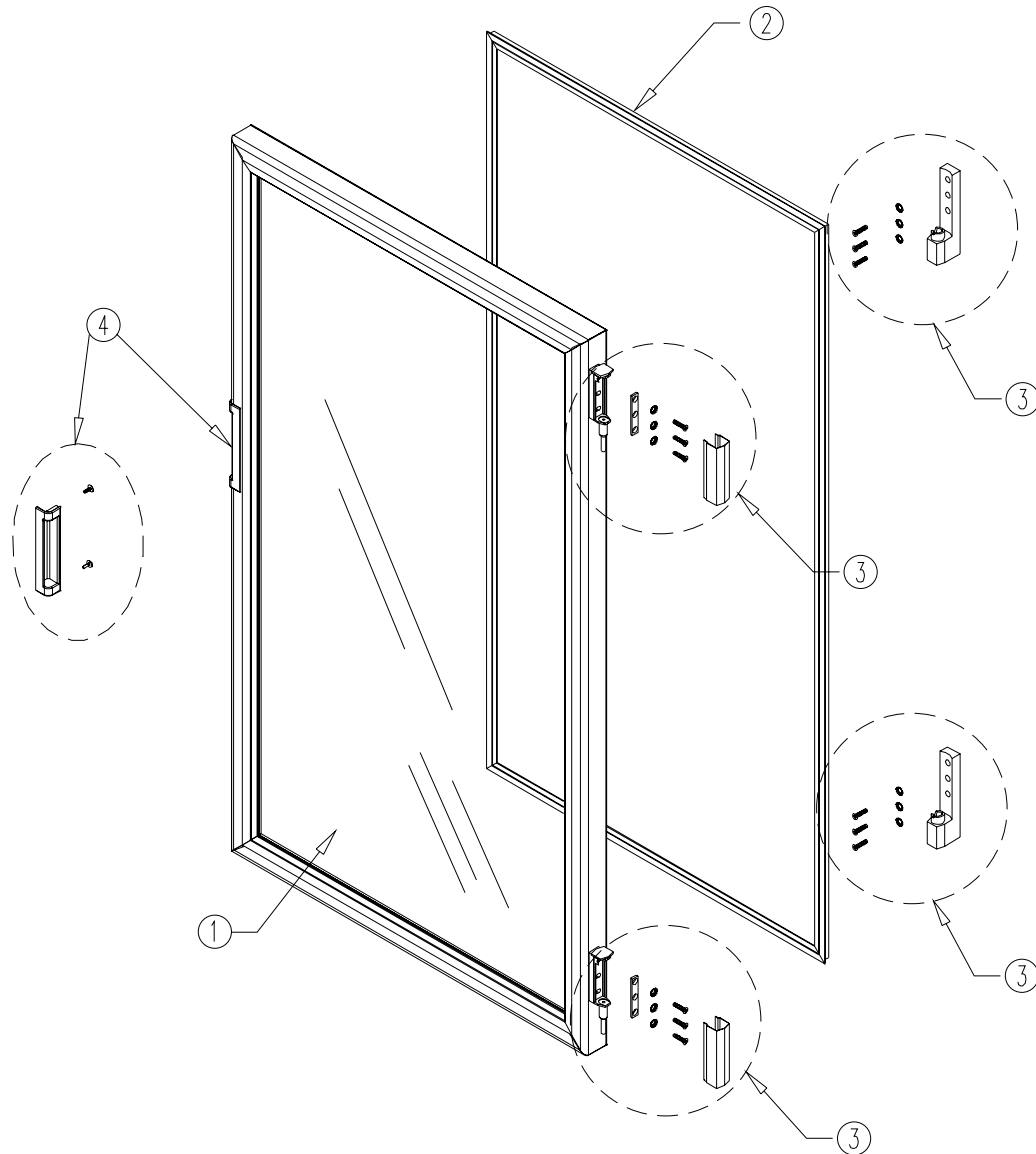


FIGURE 4

Item No.	Part No.	Name
	1034888	Complete door
1	1034889	Glass pane
2	1034890	Magnetic gasket

Item No.	Part No.	Name
3	1034891	Hinge assembly
4	1033237	Complete door handle

COR17VM

INTERIOR AND SIGN LIGHTING SYSTEM ASSEMBLY AND ITS COMPONENTS

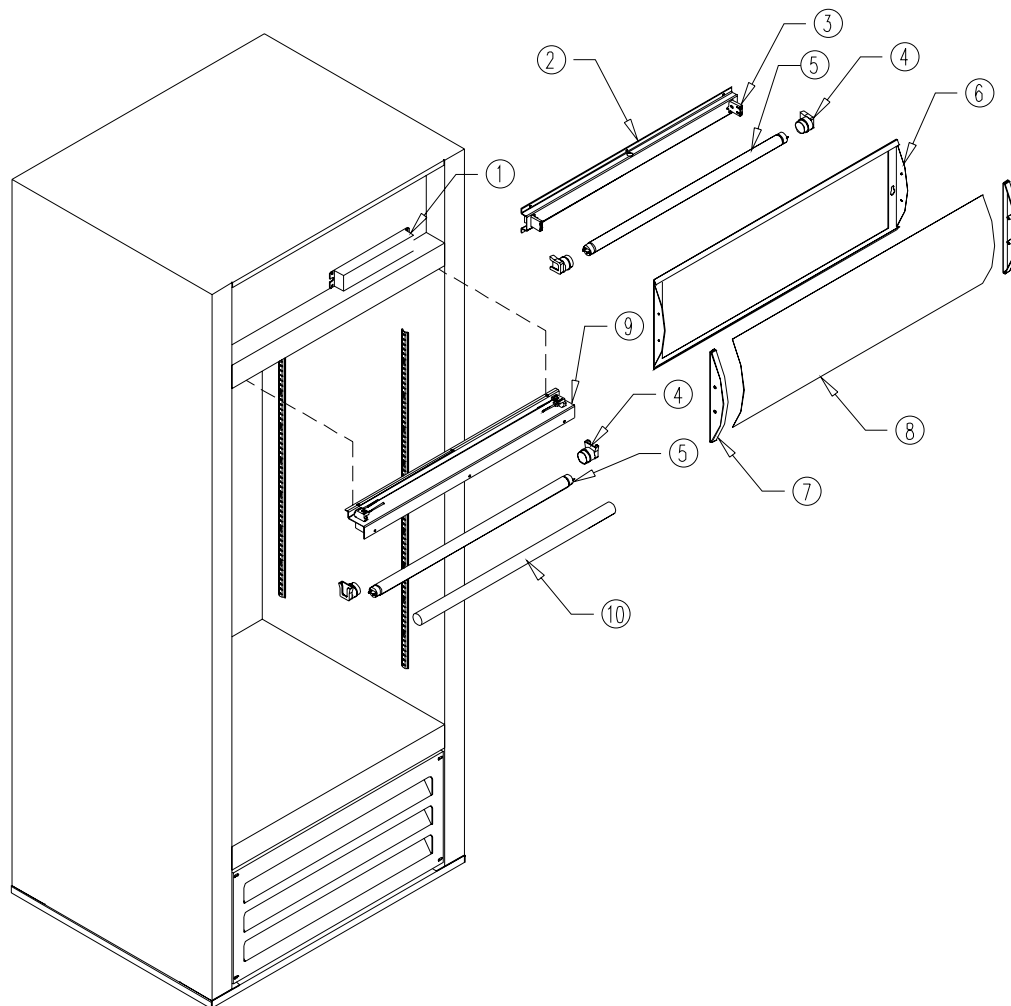


FIGURE 5

Item No.	Part No.	Name
1	1034893	Ballast Quicktronic QT2x32 T8/120
2	1034894	Lamp
3	1033256	Lampholder
4	1033257	Lampholder cap
5	1035399	Fluorescent tube T8 FO17/865/XP/ECO

Item No.	Part No.	Name
6	1034895	Sign frame
7	1034896	Plastic sign ends
8	1034897	Acrylic sign
9	1034898	Interior lamp
10	1034899	Light shield