



***SALAMANDER GAS
INFRA-RED BROILER***

PARTS LIST

Toll Free Phone, (US & Canada): (800) 427-6668

Toll Free Fax, (US & Canada): (800) 361-7745

<http://www.garland-group.com>



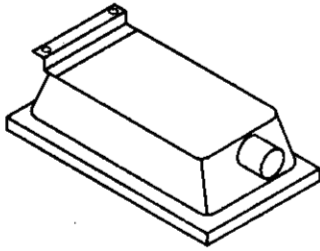
SALAMANDER GAS INFRA-RED BROILER

Contents:

Gas Functional Components Page 4

Rack Components Page 6

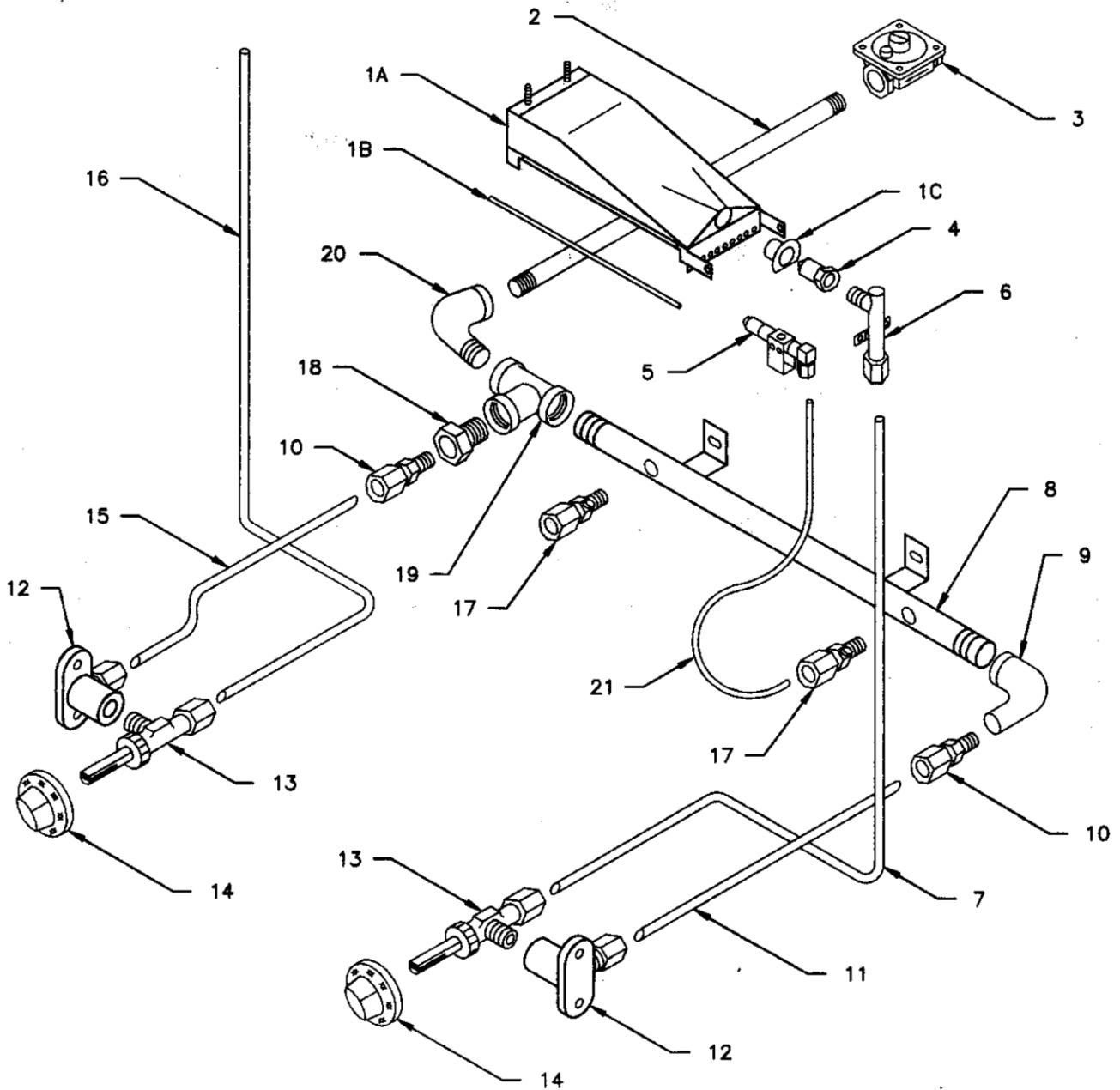
Exterior Finish Page 8



PN: 1542800 IR BURNER

NOTE: USED ON UNITS MANUFACTURED BETWEEN
JUNE 1988 AND NOVEMBER 1990.

(SERIAL NUMBERS: 248694 THRU 324037)



PS95-14 REV 0

GARLAND PARTS IDENTIFICATION

IR Gas Salamander

Functional Components

| ITEM | PART # | DESCRIPTION | QUANTITY |
|------|-----------|----------------------------------------------------|----------|
| 1A | CK1035197 | IR Burner | 2 |
| 1B | 1035102 | Protective Prods (Included with CK1035197) | 16 |
| 1C | 1283401 | Brass Eyelet (Included with CK1035197) | 2 |
| 2 | 1004656 | Nipple 1/2 x 12-1/4 | 1 |
| 3 | 1019003 | Pressure Regulator Natural | 1 |
| | 1019011 | Pressure Regulator Propane | 1 |
| 4 | 1037744 | Burner Orifice Natural | 2 |
| | 1037753 | Burner Orifice Propane | 2 |
| 5 | 1327989 | Pilot Burner Assembly Natural ** | 2 |
| | 1327988 | Pilot Burner Assembly Propane ** | 2 |
| | 1038501 | Pilot Only | |
| | 1028250 | Pilot Orifice Only Natural | |
| | 1327900 | Pilot Bracket** | |
| 6 | 1037799 | Orifice Fitting Assy Natural Includes Orifice (#4) | 2 |
| | 1037798 | Orifice Fitting Assy Propane Includes Orifice (#4) | 2 |
| 7 | 1037805 | Tubing - Valve to Orifice Right | 1 |
| 8 | 1035099 | Manifold Assembly | 1 |
| 9 | 1026717 | 1/2 x 1/4 90 Deg. Elbow Reducer | 1 |
| 10 | 1034701 | Straight Connector | 2 |
| 11 | 1037808 | Tubing - Manifold to Flanged Elbow - Right | 1 |
| 12 | 1037900 | Flanged Elbow | 2 |
| 13 | 1038300 | Hi-Lo Valve | 2 |
| 14 | 1314002 | Dial | 2 |
| | 1314102 | Insert | 2 |
| 15 | 1037807 | Tubing - Manifold to Flanged Elbow - Left | 1 |
| 16 | 1037806 | Tubing - Valve to Orifice - Left | 1 |
| 17 | 1086596 | Pilot Adjusting Valve 1/8 NPT x 1/4 CC (G6809) | 2 |
| 18 | 1038400 | Reducer Bushing 1/2 NPT to 1/4 | 1 |
| 19 | 1027103 | Tee 1/2 NPT | 1 |
| 20 | 1026733 | 1/2 NPT Street Elbow 90 Deg | 1 |
| 21 | 1028720 | Pilot Tubing 1/4" Aluminum | 2 |

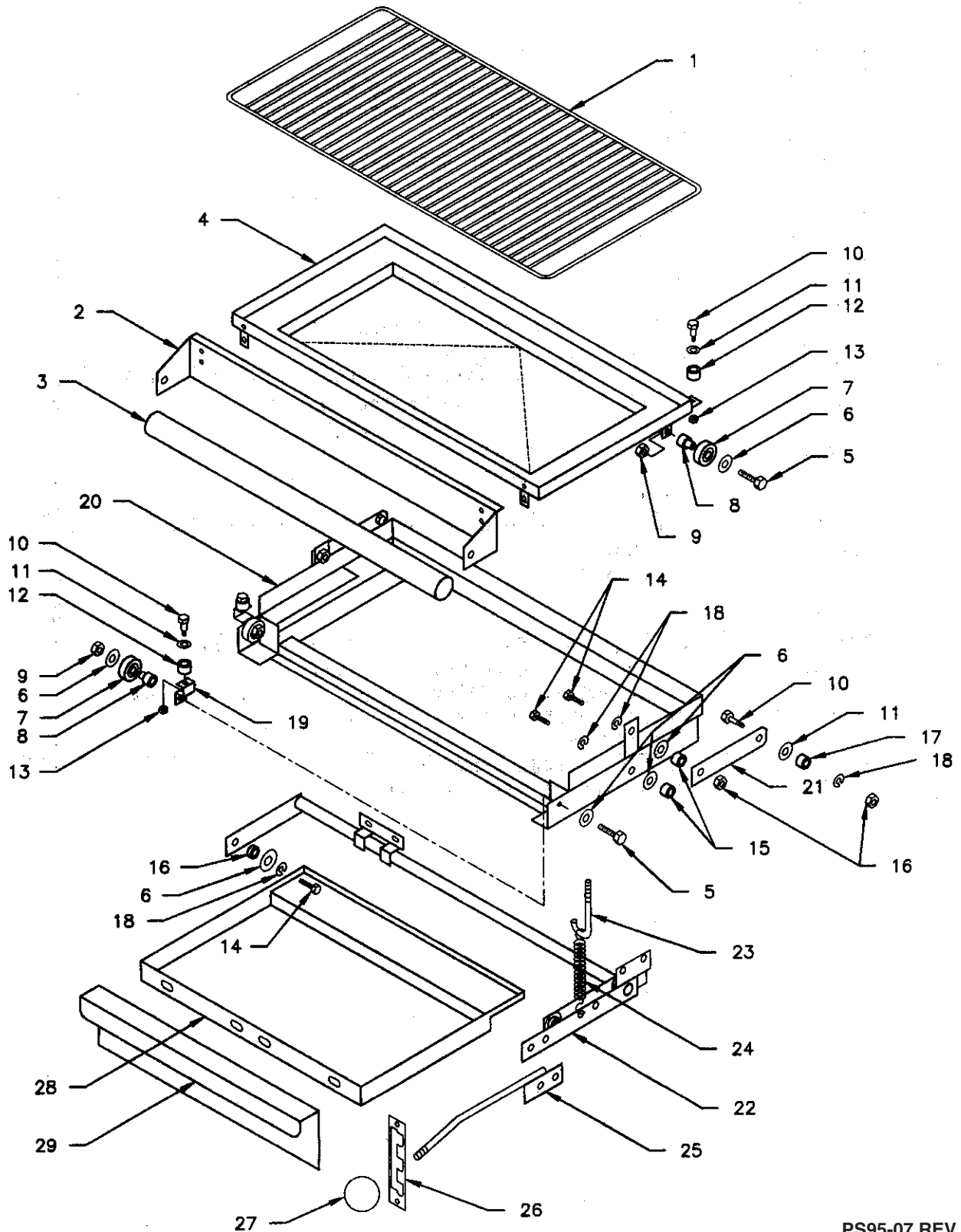
** Effective Oct. 23/95 the pilot system was changed,
These Pilots and not directly Interchangeable without a kit.

New Parts Numbers Follow:

| | | | |
|--|---------|-------------------------------|--|
| | 1806601 | Pilot Burner Assembly Natural | |
| | 1806602 | Pilot Burner Assembly Propane | |
| | 1815601 | Pilot Bracket R/H | |
| | 1815602 | Pilot Bracket L/H | |

* NOT ILLUSTRATED

RECOMMENDED STOCK PARTS



PS95-07 REV 0

GARLAND PARTS IDENTIFICATION

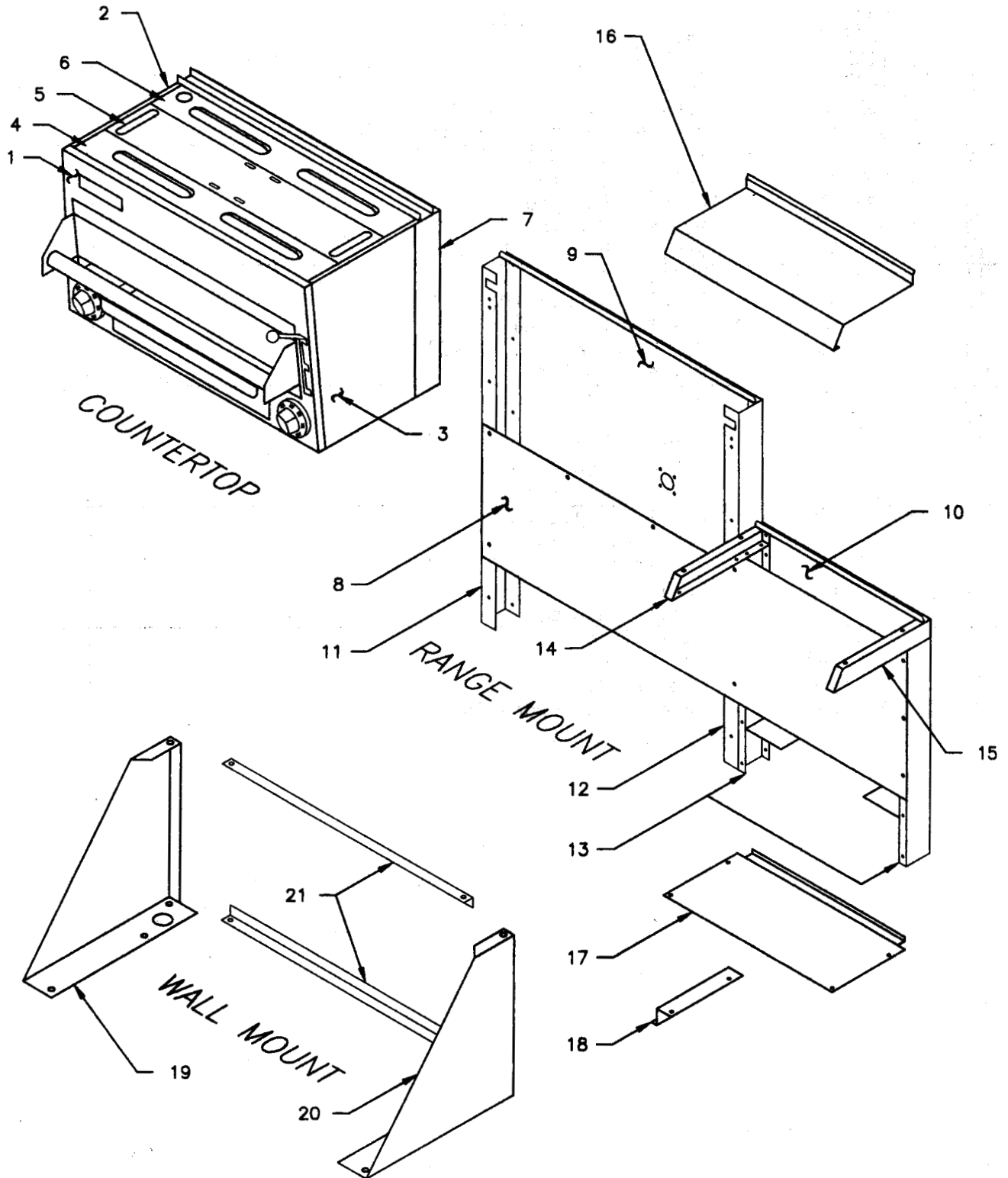
IR Gas Salamander

Rack Components

| ITEM | PART # | DESCRIPTION | QUANTITY |
|------|---------|-------------------------------|----------|
| 1 | 1347200 | Rack | 1 |
| 2 | 1038626 | Rack Handle Front | 1 |
| 3 | 1038623 | Rack Handle SS | 1 |
| 4 | 1037286 | Rack Frame Weld Assembly | 1 |
| 5 | 8003416 | Hex Head Machine 3/8-16 x 1/2 | 4 |
| 6 | 8000310 | Flat Washer 3/8 x 1-1/16 | 12 |
| 7 | 1037800 | Roller Bearing | 4 |
| 8 | 1037802 | Bearing Bushing | 4 |
| 9 | 8001209 | Hex Nut 3/8-16 | 4 |
| 10 | 1031301 | Broiler Rack Roller Bolt | 5 |
| 11 | 1031302 | Roller Spacer | 4 |
| 12 | 1035400 | Double Row Bearing | 4 |
| 13 | 8001206 | Hex Nut 1/4 x 20 | 4 |
| 14 | 8003406 | Hex Head Machine 1/4-20 x 1 | 4 |
| 15 | 1031300 | Roller Bushing | 4 |
| 16 | 8001207 | Hex Nut 1/3-20 Lock | 2 |
| 17 | 1037810 | Bushing | 2 |
| 18 | 8000203 | Lock Washer | 4 |
| 19 | 1341902 | Roller Support Bracket | 2 |
| 20 | 1342596 | Rack Frame Assembly | 1 |
| 21 | 1342099 | Upper Arm Assembly | 2 |
| 22 | 1342499 | Lever Assembly | 1 |
| 23 | 9004701 | J Bolt (1/4-20 x 3-1/8) | 1 |
| 24 | 1005803 | Spring | 1 |
| 25 | 1342199 | Handle Assembly | 1 |
| 26 | 1341800 | Face Plate | 1 |
| 27 | 1039600 | Ball Knob | 1 |
| 28 | 1037100 | Grease Tray | 1 |
| 29 | 1037101 | Grease Tray Front SS | 1 |

* NOT ILLUSTRATED

RECOMMENDED STOCK PARTS



GARLAND PARTS IDENTIFICATION

IR Gas Salamander Functional Components

| ITEM | PART # | DESCRIPTION | QUANTITY | | | | |
|------|---------|----------------------------------|------------------------------------------|----------|----------|----------|----------|
| | | | IR34-40 | IR36-280 | IR48-280 | IR60-280 | IR72-280 |
| 1 | 1038702 | Main Front | 1 | 1 | 1 | 1 | 1 |
| 2 | 1037402 | Main Side - Left - SS | 1 | 1 | 1 | 1 | 1 |
| 3 | 1037405 | Main Side - Right - SS | 1 | 1 | 1 | 1 | 1 |
| 4 | 1036700 | Main Top Front - SS | 1 | 1 | 1 | 1 | 1 |
| 5 | 1036701 | Main Top Center - AZ | 1 | 1 | 1 | 1 | 1 |
| 6 | 1036702 | Main Top Back - AZ | 1 | 1 | 1 | 1 | 1 |
| 7 | 1036396 | Support Bracket - Right - Black | For Counter and Wall Mount Units Only | | | | |
| | 1036397 | Support Bracket - Right - SS | | | | | |
| 8 | 1531900 | Front Panel 34" SS | 1 | | | | |
| | 1376007 | Front Panel 36" SS | | 1 | | | |
| | 1386607 | Front Panel 48" | | | 1 | | |
| | 1386613 | Front Panel 60" SS (281/285) | | | | 1 | |
| | 1386611 | Front Panel 60" SS (283/282) | | | | 1 | |
| | 1386609 | Front Panel 60" SS (284/287) | | | | 1 | |
| 9 | 1384902 | Main Back 36" AZ | | 1 | | 1 | 1 |
| | 1384900 | Main Back 48" AZ | | | 1 | | |
| | 1532000 | Main Back 34" AS | 1 | | | | |
| 10 | 1390500 | Backguard Back 24" AZ | | | | 1 | |
| | 1390502 | Backguard Back 36" AZ | | | | | 1 |
| 11 | 1501001 | Support Bracket - Left - Black | | 1 | 1 | 1 | 1 |
| | 1514401 | Veneer - SS | | 1 | 1 | 1 | 1 |
| | 1549099 | Support Bracket - Left - Black | 1 | | | | |
| | 1624401 | Veneer - SS | 1 | | | | |
| 12 | 1501000 | Support Bracket - Right - Black | | 1 | 1 | 1 | 1 |
| | 1514400 | Veneer - SS | | 1 | 1 | 1 | 1 |
| | 1549098 | Support Bracket - Right - Black | 1 | | | | |
| | 1624400 | Veneer - SS | 1 | | | | |
| 13 | 1390101 | Upright Right/Left - SS | | | | 2 | 2 |
| 14 | 1364902 | Shelf Support - Left SS | | | | 1 | 1 |
| 15 | 1364903 | Shelf Support - Right SS | | | | 1 | 1 |
| 16 | 1390200 | Hi Shelf Top 23" SS | | | | 1 | |
| | 1390201 | Hi Shelf Top 36" SS | | | | | 1 |
| 17 | 1500602 | Shelf Bottom 24" SS | | | | 1 | |
| | 1500603 | Shelf Bottom 36" SS | | | | | 1 |
| 18 | 1561801 | Shelf Bracket | | | | 1 | 1 |
| 19 | 1038600 | Wall Mount Bracket - Left Black | For Wall Mount Units Only | | | | |
| | 1038602 | Wall Mount Bracket - Left SS | | | | | |
| 20 | 1038601 | Wall Mount Bracket - Right Black | | | | | |
| | 1038603 | Wall Mount Bracket - Right SS | | | | | |
| 21 | 1038604 | Wall Mount Angle Bracket | | | | | |

* NOT ILLUSTRATED

RECOMMENDED STOCK PARTS

GARLAND PARTS IDENTIFICATION

Revision History

| REV. # | PAGE # | ITEM # | NOTE | DATE |
|--------|--------|--------|------------------------------------|-----------|
| 2 | 3 | | Index Updated Entire Book Reworked | Jan 29/04 |

NOTES

