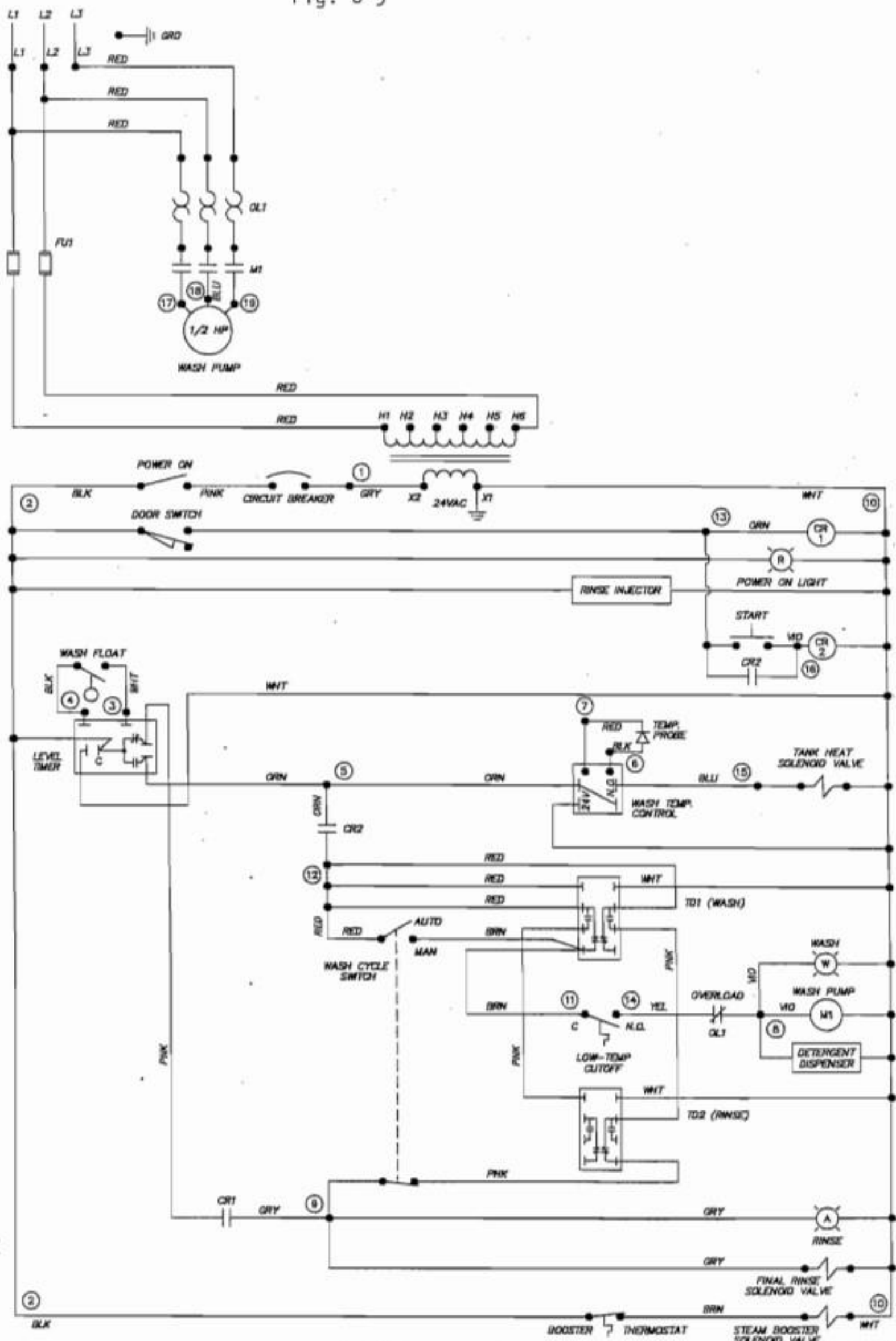
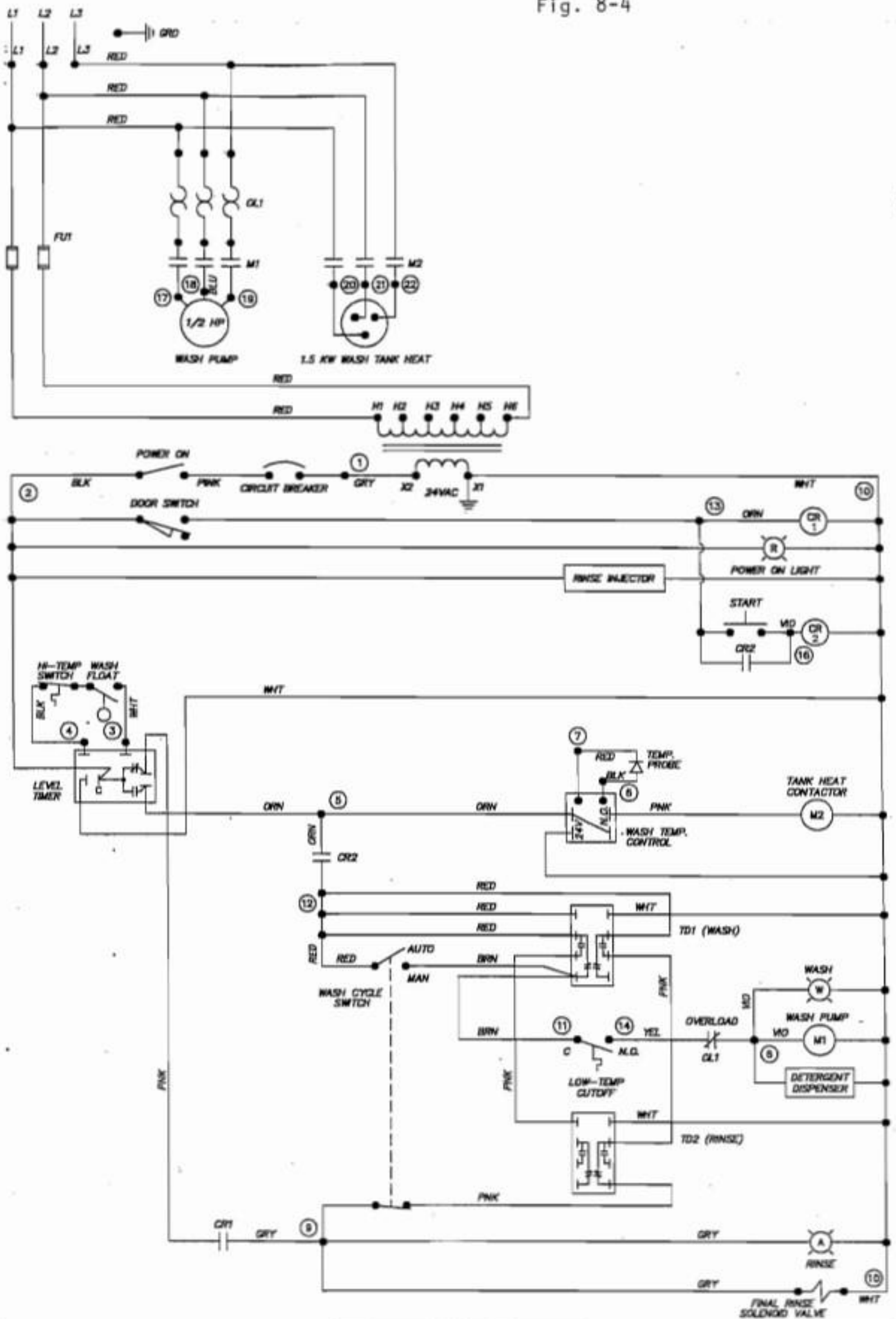


Fig. 8-3



			TITLE	MODEL 455A5-F1	DWG. NO.
				STEAM HEAT	W455A010
F	2006	J.2.04	REV	ECN NO	DATE
FILE:	MRE\W455A010		Insinger		Philadelphia, PA 19135
			FAX (215) 624-6966		DRWN/DATE
					MFU
					1.7.98

Fig. 8-4



			TITLE	MODEL 45SA5-F2	DWG. NO.
				ELECTRIC HEAT	W45SA020
F	2006	3.2.04	REV	EDN NO	DATE
FILE:	WRE\W45SA020		Insinger		Philadelphia, PA 19135
			FAX (215) 624-6988		DRWN/DATE
					MFJ
					1.7.98