

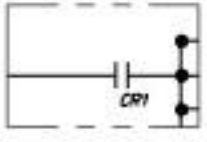
NOTE: FOR SINGLE PHASE LINE CONNECTION USE L1 & L2 ONLY.

TRANSFORMER
PRIMARY CONNECTION
H2= 208V
H3= 240V
H4= 277V
H5= 380V
H6= 480V

* FOR 120V USE TRANSFORMER P/N DE6-14

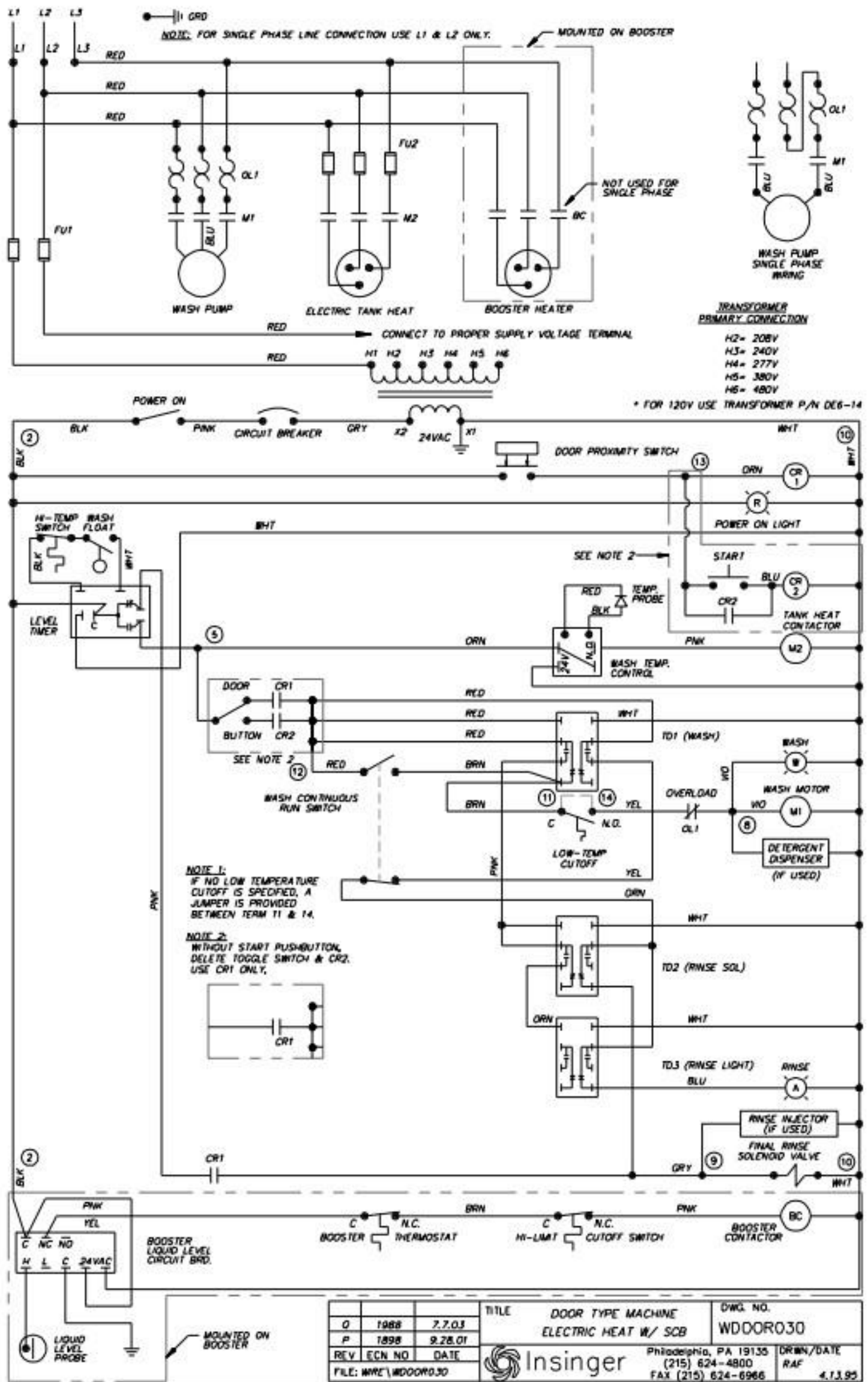
NOTE 1:
IF NO LOW TEMPERATURE
CUTOFF IS SPECIFIED, A
JUMPER IS PROVIDED
BETWEEN TERM 11 & 14.

NOTE 2:
WITHOUT START PUSHBUTTON,
DELETE TOGGLE SWITCH & CR2.
USE CR1 ONLY.



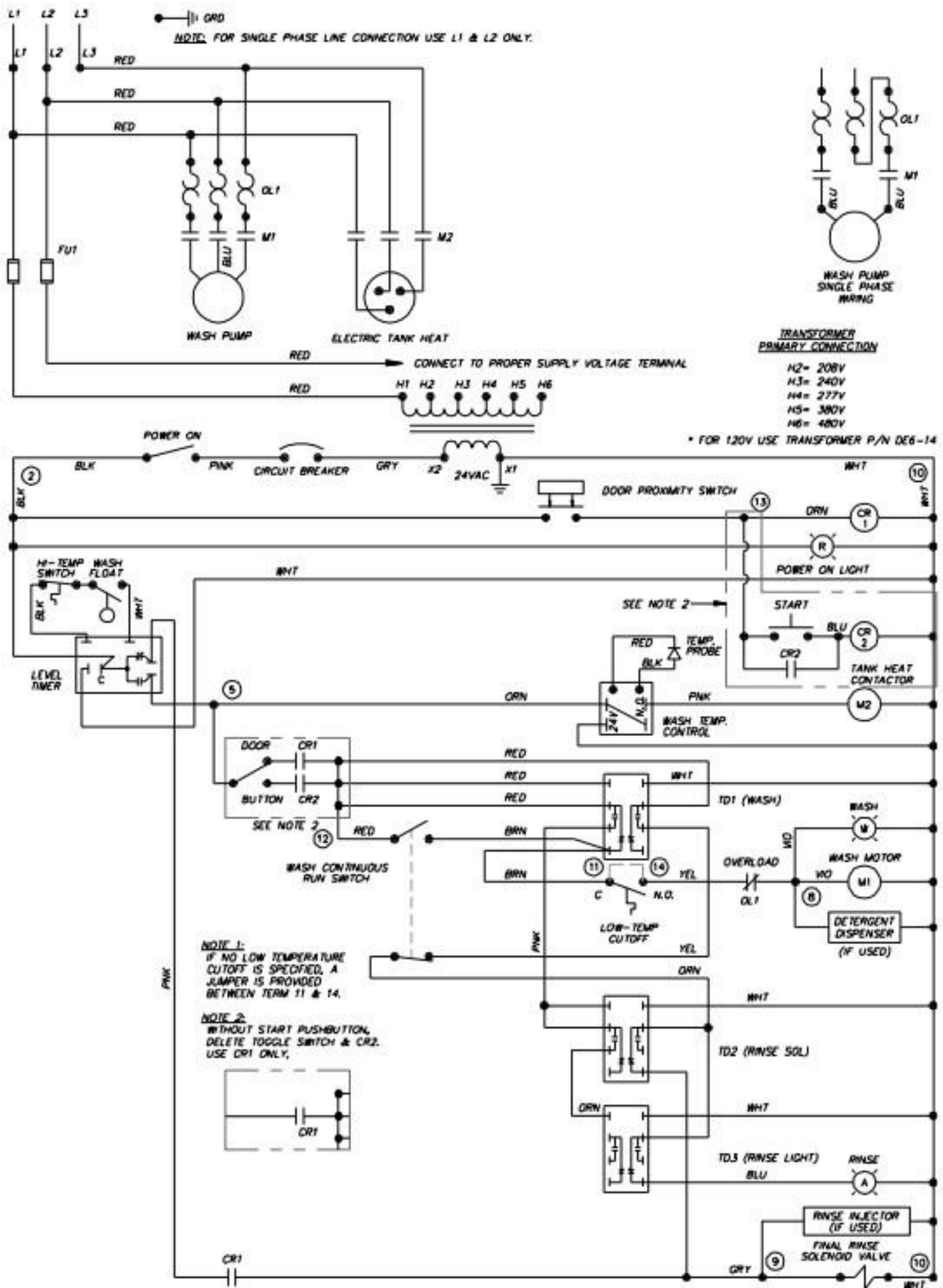
TITLE			DOOR MACHINE-ELEC. HEAT		DWG. NO.	
			W/ SCB & CIRCUIT BREAKERS		WDOOR031	
REV	ECN NO	DATE	Philadelphia, PA 19135		DRWN/DATE	
FILE: WRE\WDOOR031			(215) 624-4800		CES	
			FAX (215) 624-6966		J.18.04	





Q	1988	7.7.03	TITLE DOOR TYPE MACHINE ELECTRIC HEAT W/ SCB	DWG. NO. WDDOR030
P	1898	9.28.01		
REV	ECN NO	DATE	Philadelphia, PA 19135 (215) 624-4800 FAX (215) 624-6966	DRWN/DATE RAF 4.13.95
FILE:	WRE\WDDOR030			





REV	ECN NO	DATE	TITLE	DWG. NO.
M		7.7.03	DOOR TYPE MACHINE ELECTRIC HEAT	WDOOR020
L		9.28.01		
REV	ECN NO	DATE		Philadelphia, PA 19135
FILE: WIRE\WDOOR020				(215) 624-4800
			FAX (215) 624-6966	RAF
				04.12.05

