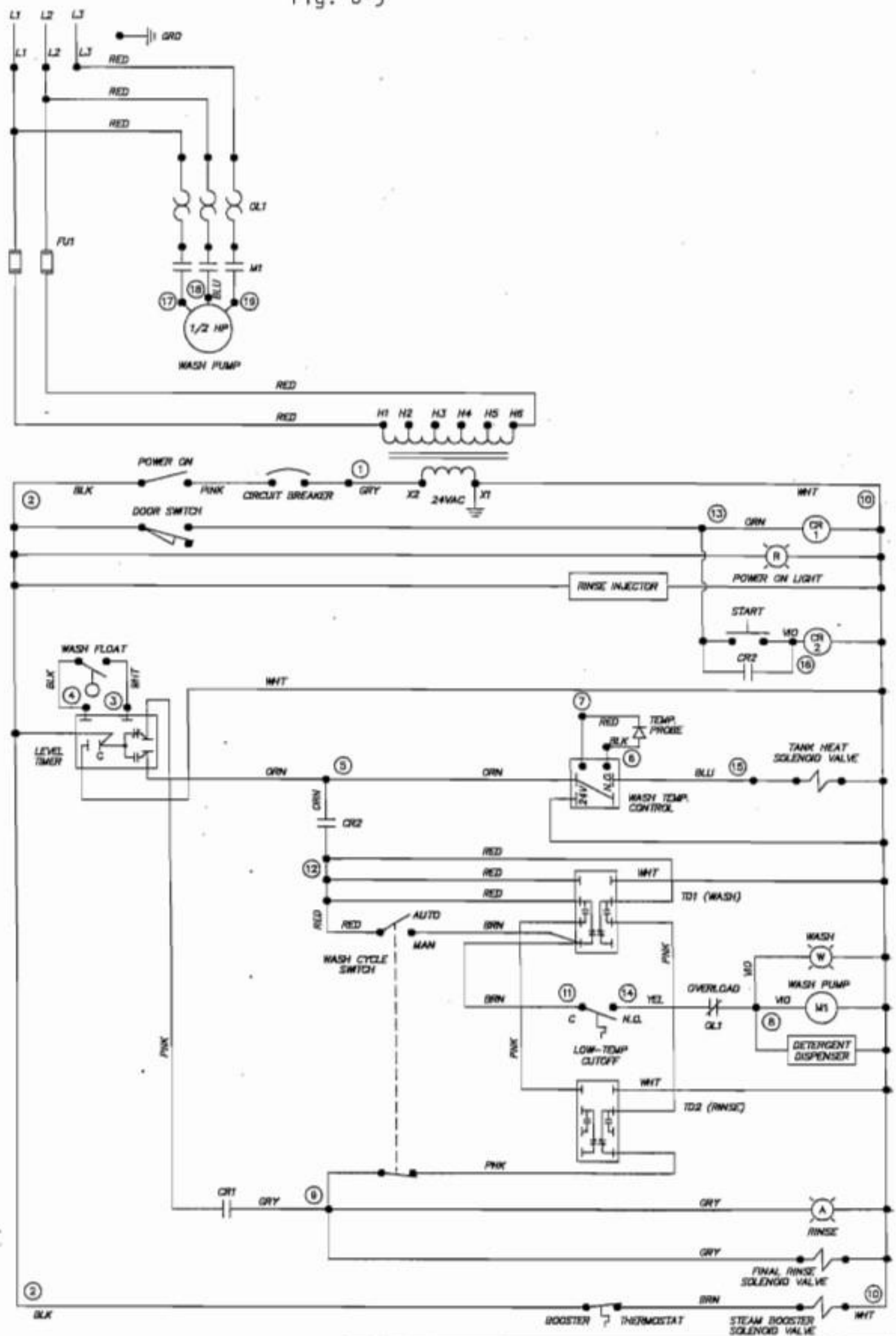


Fig. 8-3



			TITLE	MODEL 45SA5-F7	DWG. NO.
				STEAM HEAT	W45SA010
F	2006	J.2.04	REV	EDN NO	DATE
FILE:	MRE\W45SA010		Philadelphia, PA 19135 (215) 624-4800 FAX (215) 624-8986		DRWN/DATE MFJ 1.7.96

