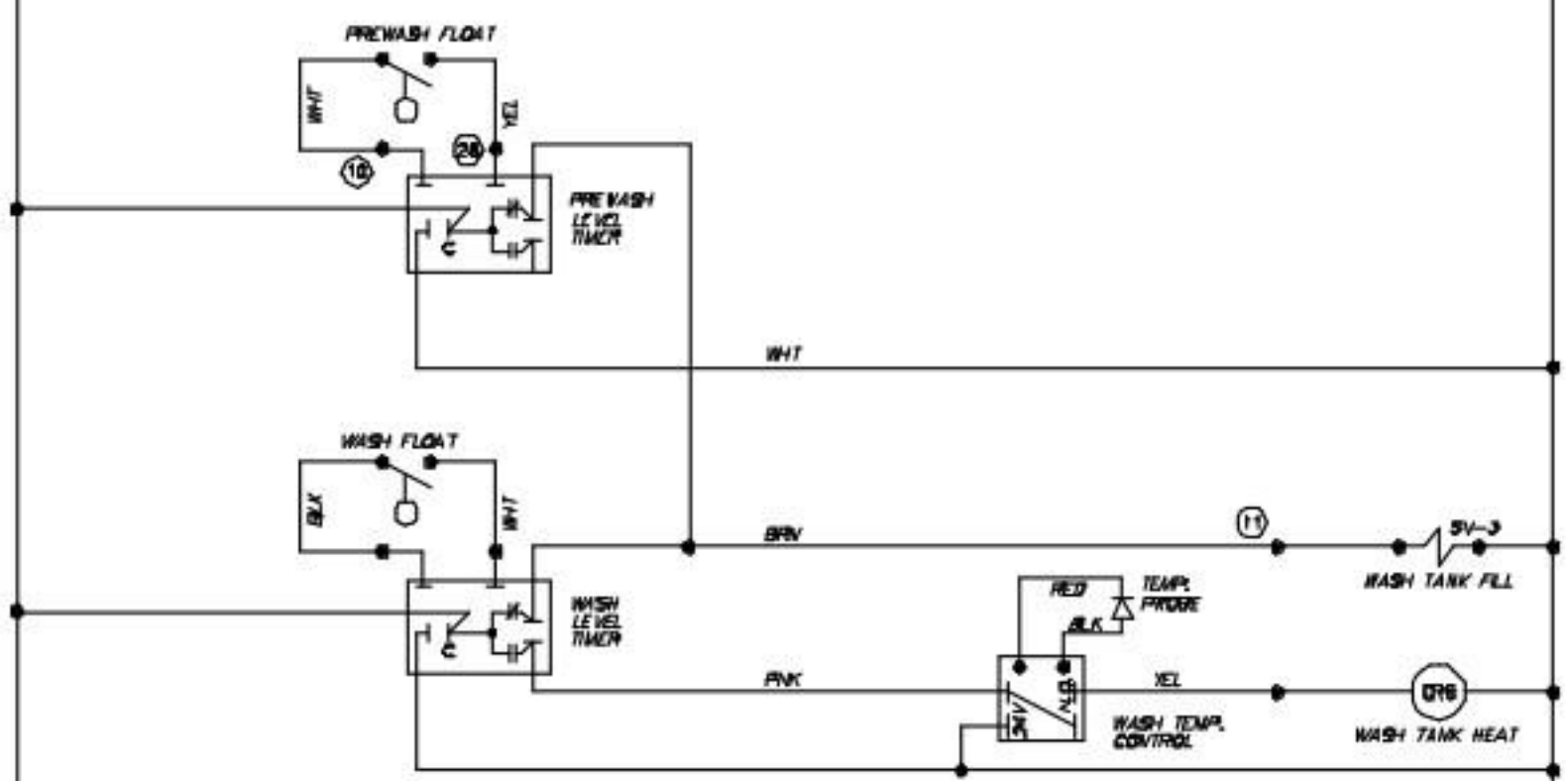
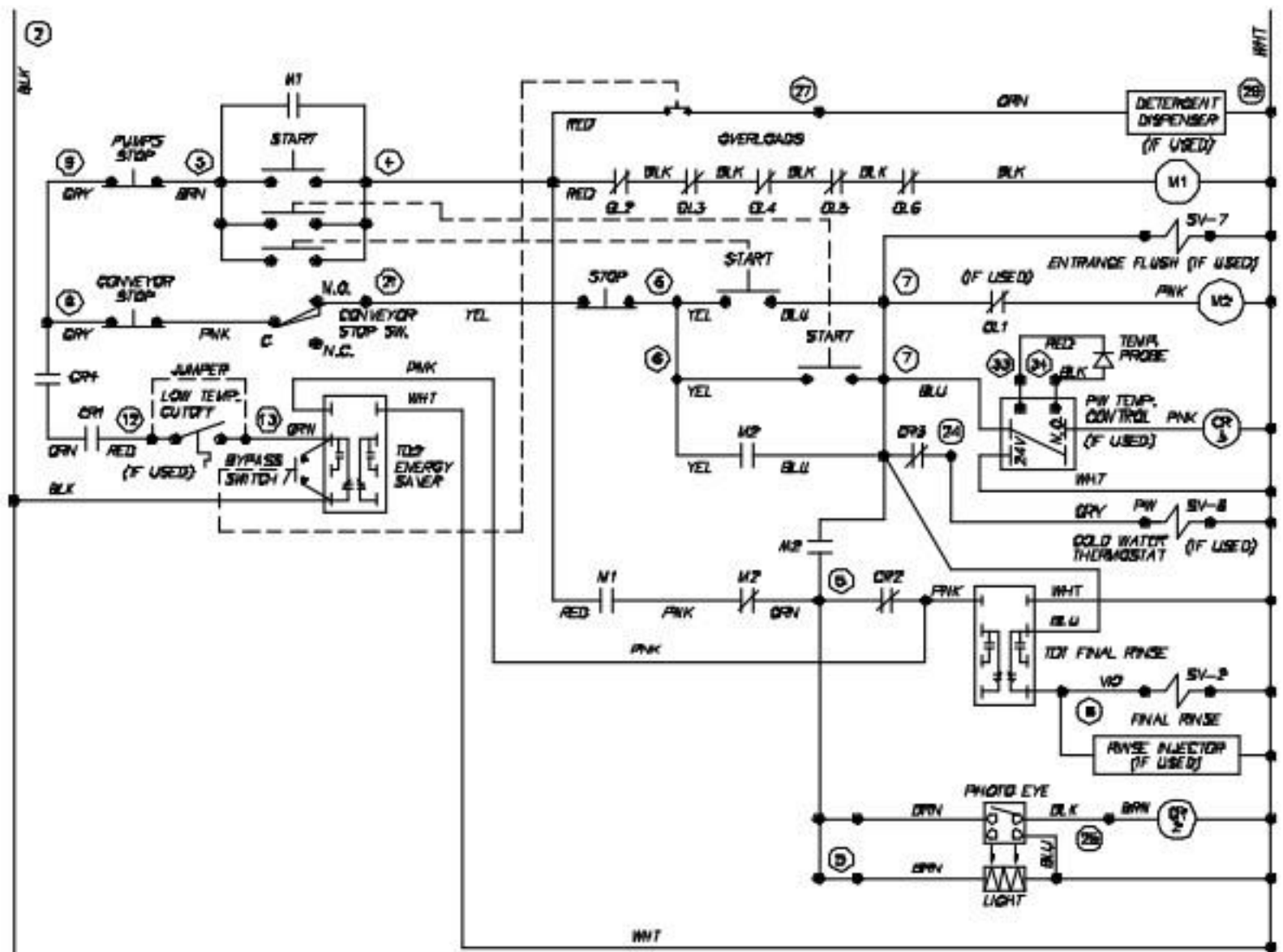
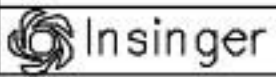


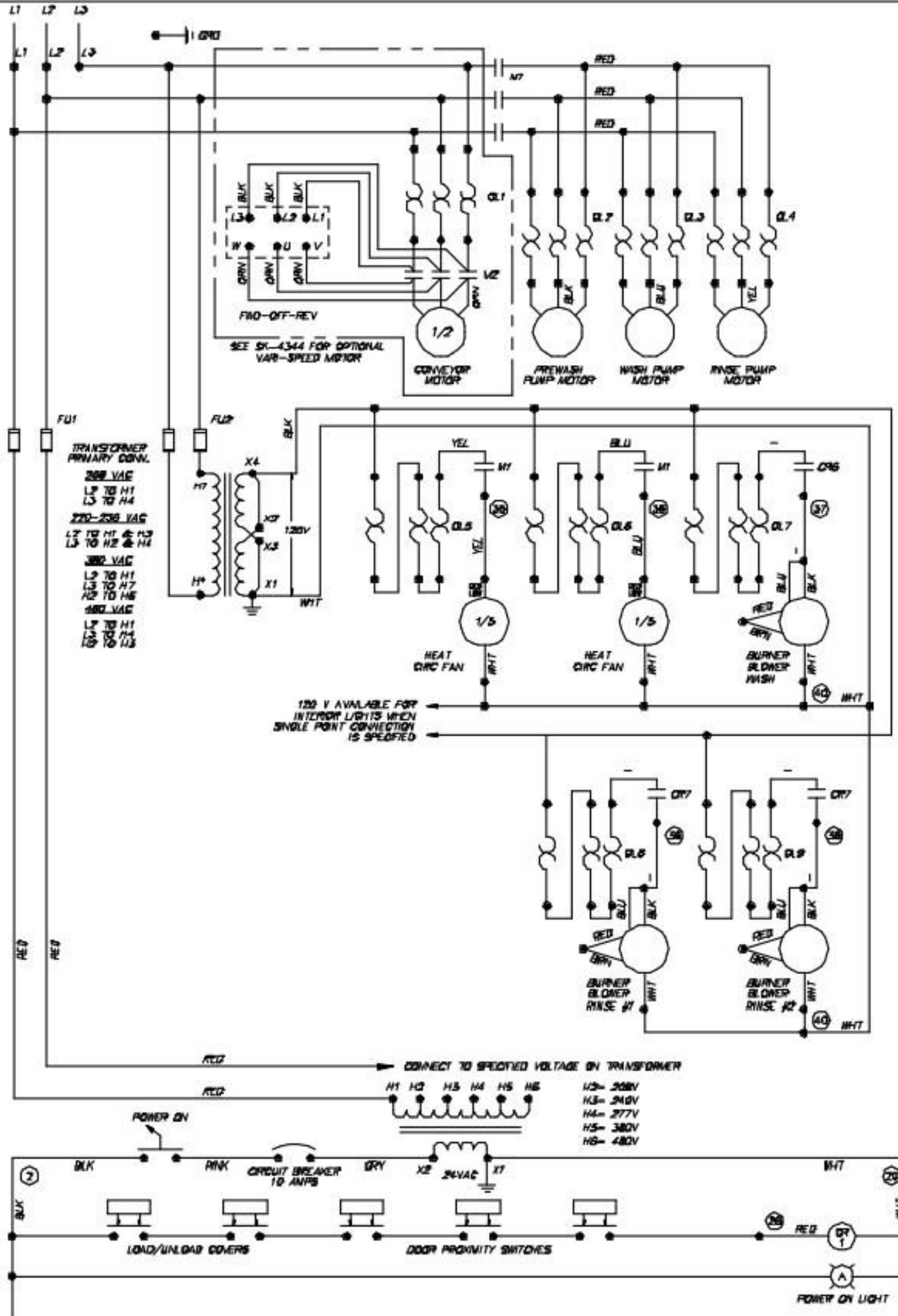
REV	IGN NO	DATE		TITLE MASTER GAS HEAT	DWG. NO. WFLT070
B	1827	3.28.02			
A	1835	2.8.02			
REV (IGN NO) DATE			Philadelphia, PA 19135 (215) 824-4800 FAX (215) 824-6866	DRWN/DATE MFJ 8.28.98	



SEE SHEET 3 OF 3 FOR CONTINUATION OF 24V CONTROL CIRCUIT

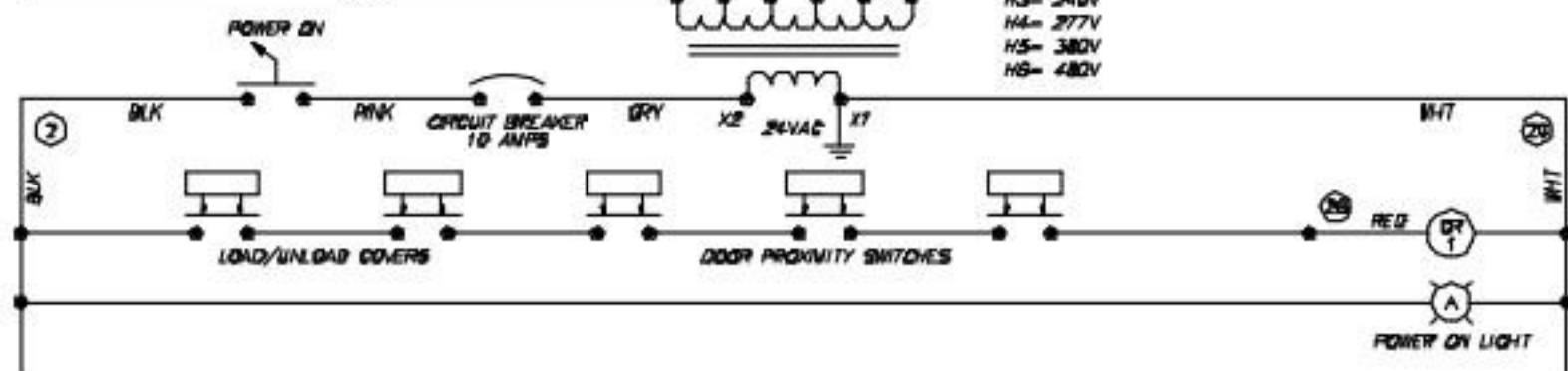
REV	EDN NO	DATE	TITLE	DWG. NO.
B	1027	3.28.02	MASTER GAS HEAT	WFL070
A	1056	2.2.01		
REV EDN NO DATE			Philadelphia, PA 19135	DRWN/DATE
FILES\WFL\WFL070			(215) 624-4800	MJV
			FAX (215) 624-8966	8.28.98



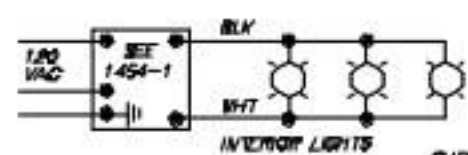


120 V AVAILABLE FOR INTERIOR LIGHTS WHEN SINGLE POINT CONNECTION IS SPECIFIED

CONNECT TO SPECIFIED VOLTAGE ON TRANSFORMER

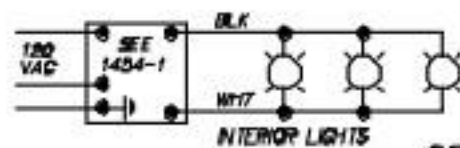
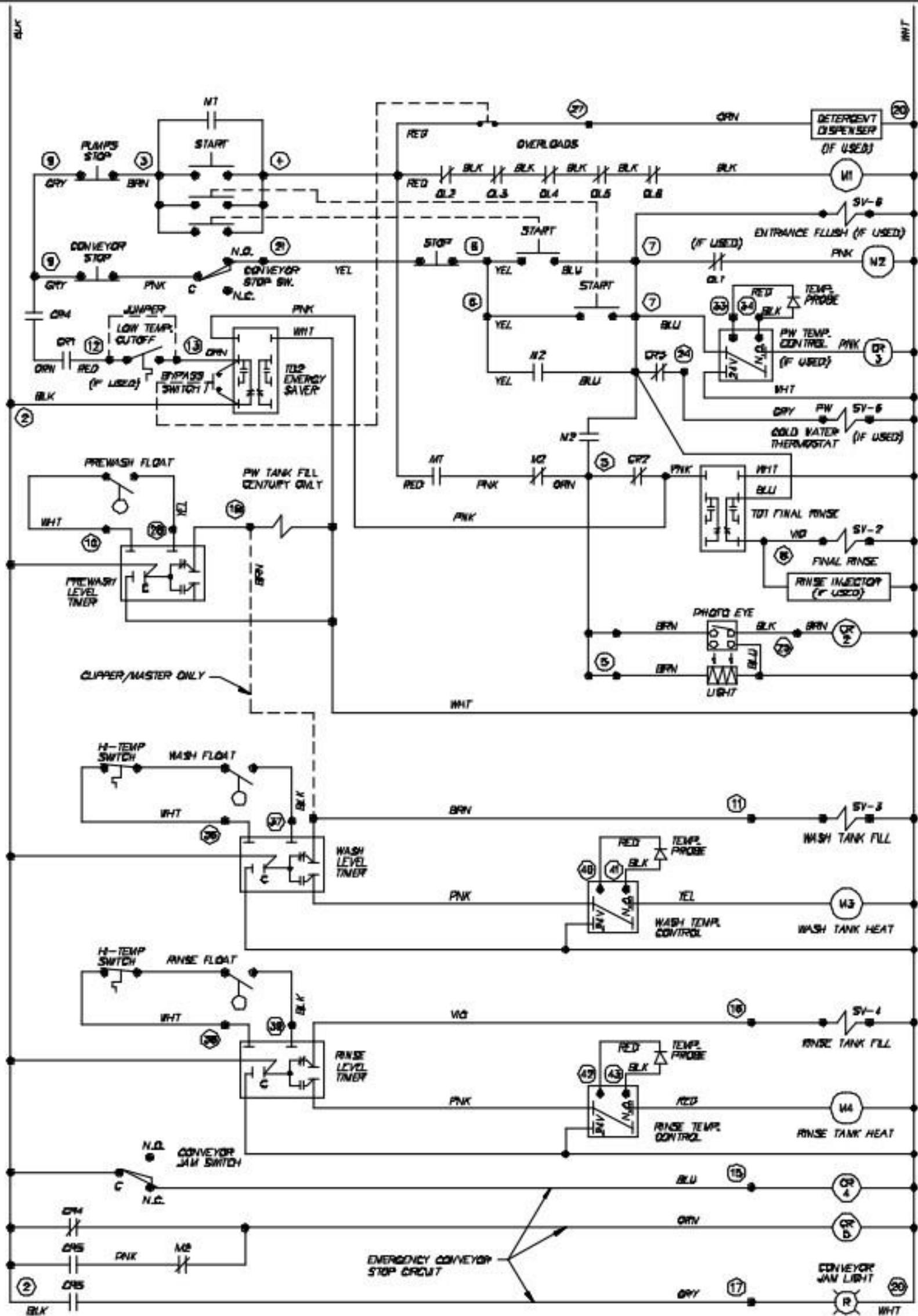


SEE SHEET 2 OF 3 FOR CONTINUATION OF 24V CONTROL CIRCUIT



SHEET 1 OF 3

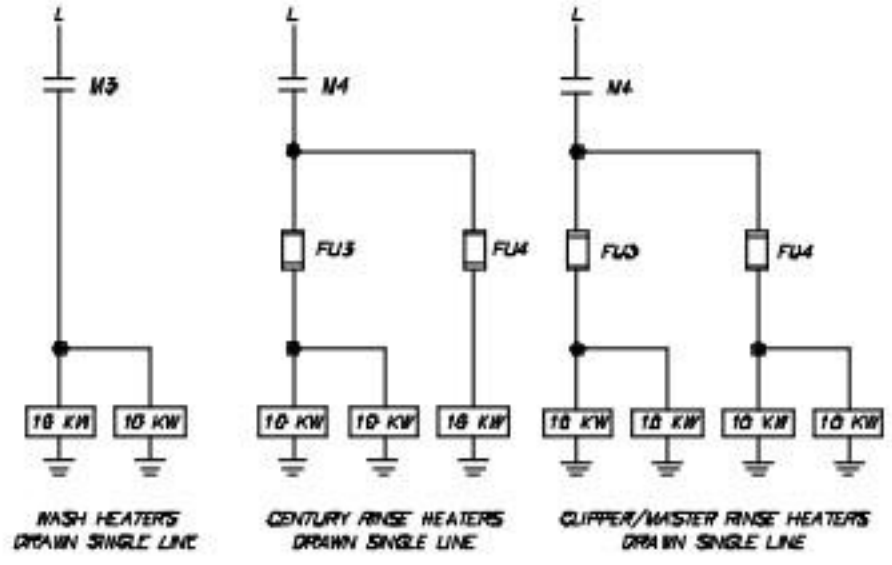
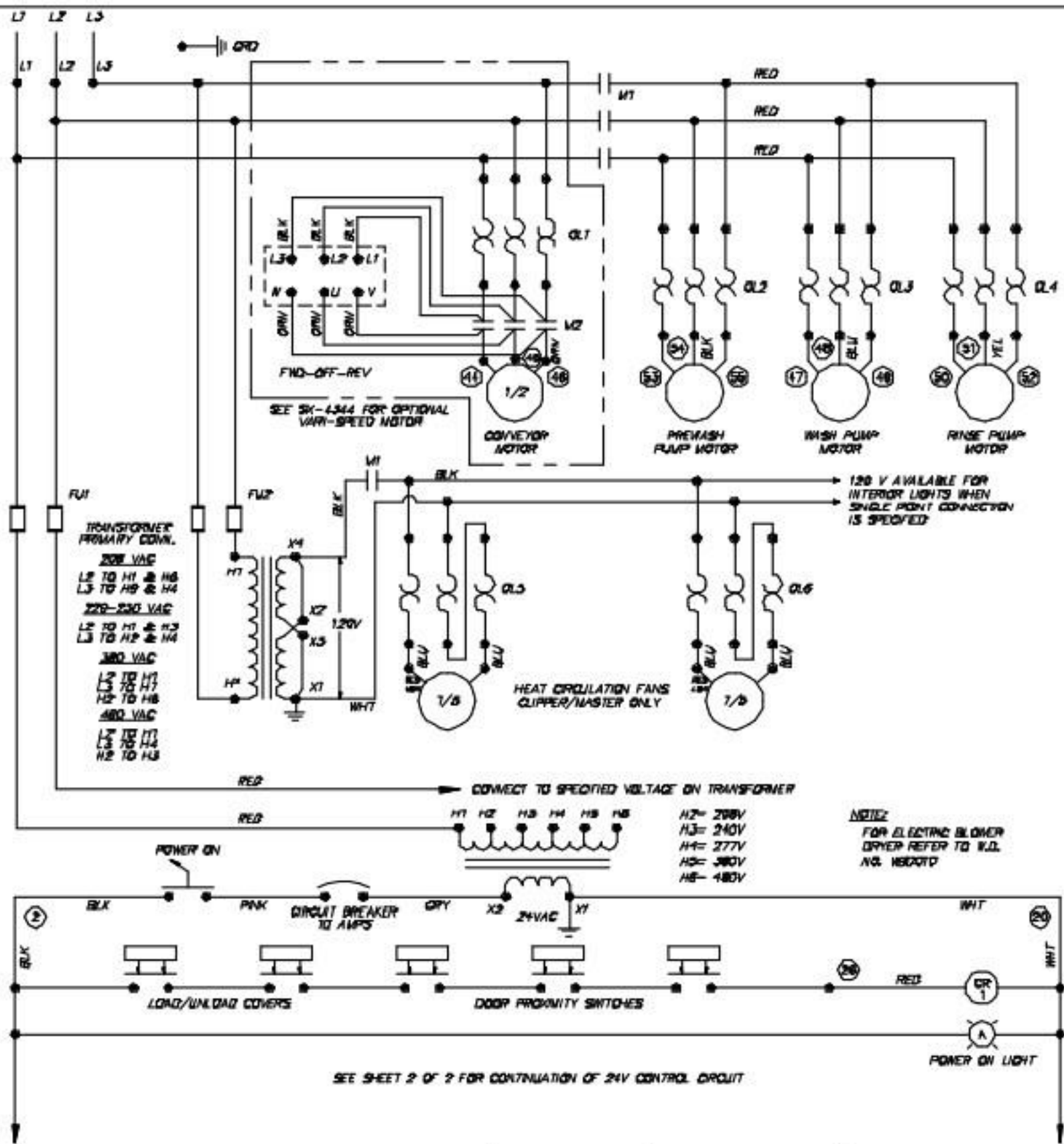
REV	BY	DATE	TITLE	MASTER GAS HEAT	DWG. NO.
A	1855	2-2-01			WFLT070
REV	EDN NO	DATE			Phil Insinger, PA 19135 (215) 674-4800 FAX (215) 824-9968
					DIRN/DATE
FILE:WFL\WFLT070			8.28.99		



SHEET 2 OF 2

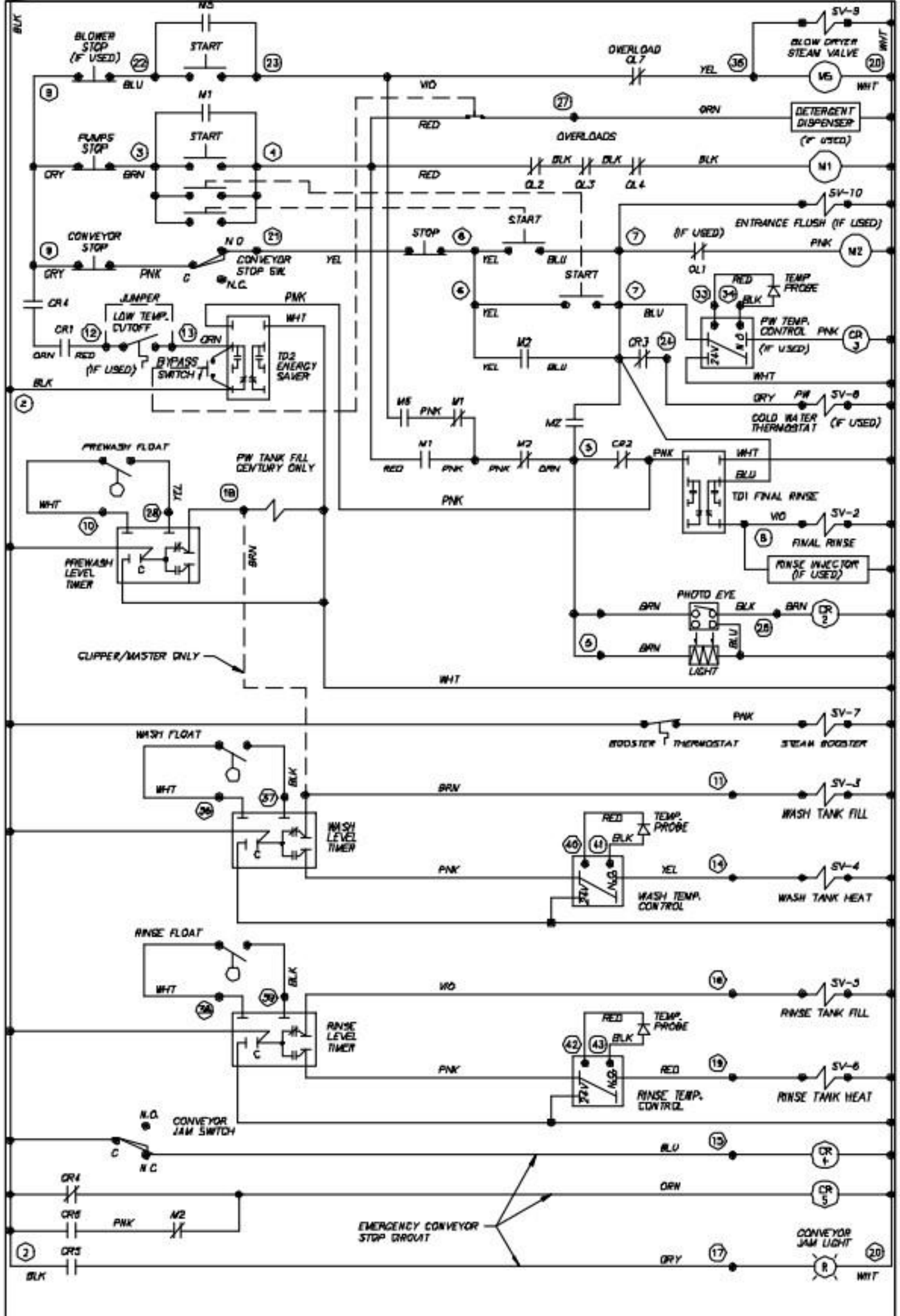
U	1927	3.25.02
T	1777	7.18.99
S	1881	3.11.99
REV	ECH NO	DATE
FILE: WPRE \WFZ 1020		

TITLE	CLIPPER/MASTER/CENTURY ELECTRIC HEAT	DWG. NO.	WFLT020
		Philadelphia, PA 19135	DRWN/DATE
		(215) 824-4800	RAF
		FAX (215) 824-8988	05.08.95



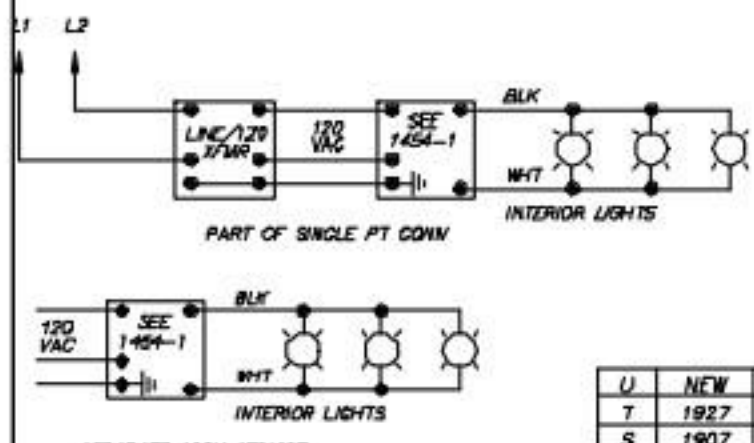
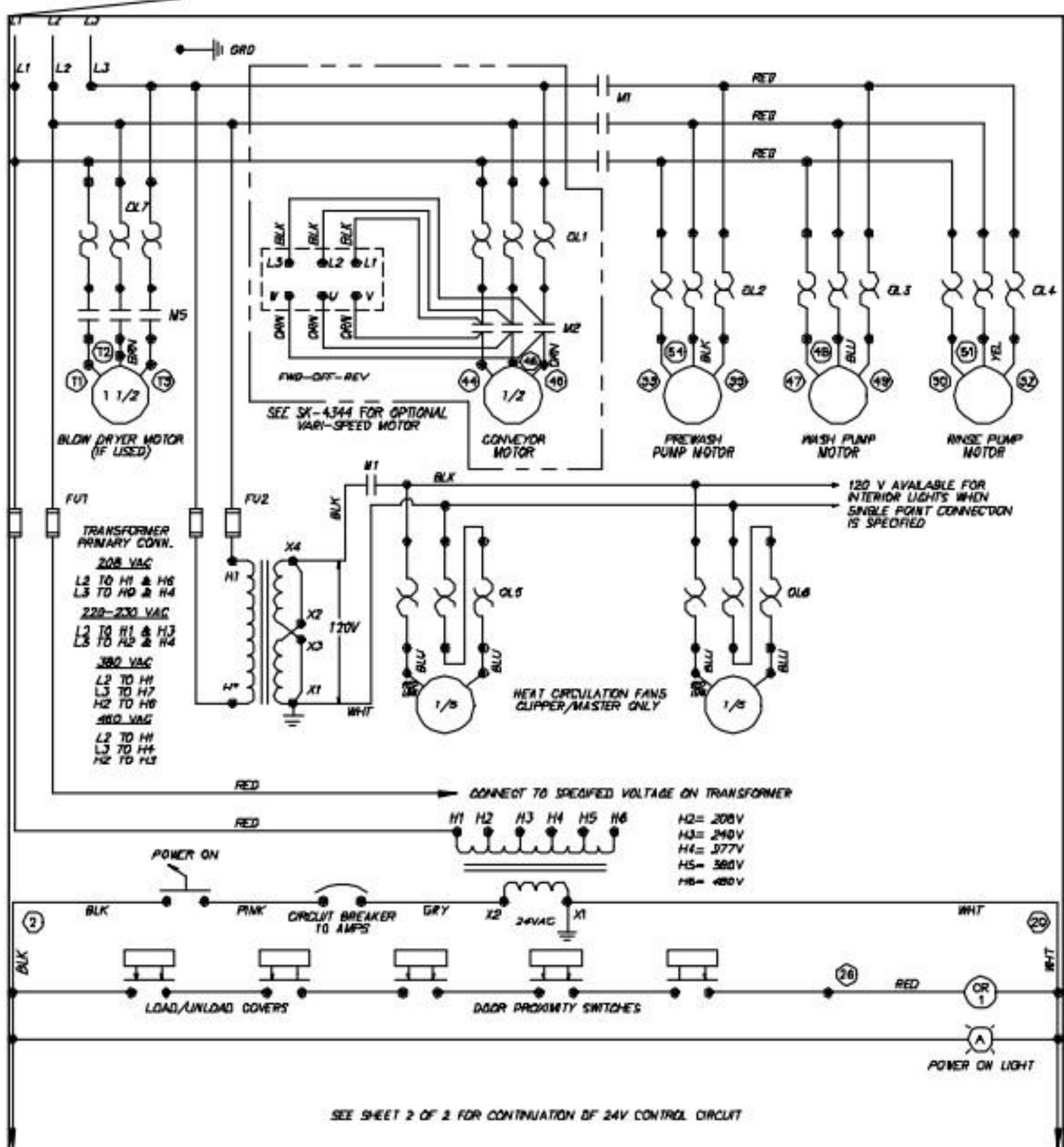
NOTE:
1. THREE SEPARATE ELECTRICAL SERVICES ARE NECESSARY:
1- MOTORS/CONTROLS
2- WASH HEATERS
3- RINSE HEATERS

U	1997	3,250.00	TITLE	CLIPPER/MASTER/CENTURY ELECTRIC HEAT	DWG. NO.	WFLT020
T	1717	11,78.00				
S	1881	3,71.00				
REV	ECN NO.	DATE	Insinger	Philadelphia, PA 19135 (215) 624-4800 FAX (215) 624-6888	DRWN/DATE	RAF
FILE:	WIRE	WFL T020				



T	1927	3 25 02
S	1907	7.16.01
REV	EON NO	DATE
FILE: WIRE \ WFLT010		

TITLE	CLIPPER/MASTER/CENTURY STEAM HEAT	DWG NO	WFLT010
		Philadelphia, PA 19135 (215) 624-4800	DRWN/DATE
		FAX (215) 624-8968	RAF 05.01.95



U	NEW	NEW	TITLE	CLIPPER/MASTER/CENTURY	DWG. NO.	WFLT010
T	1927	3.25.02		STEAM HEAT		
S	1907	11.16.01				
REV	ECN NO	DATE				
FILE	WFL7010					

	Philadelphia, PA 19135	DRWN/DATE
	(215) 624-1800	RAF
	FAX (215) 624-8888	05.01.90