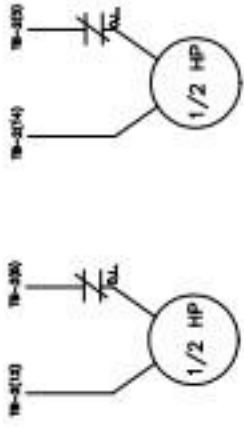
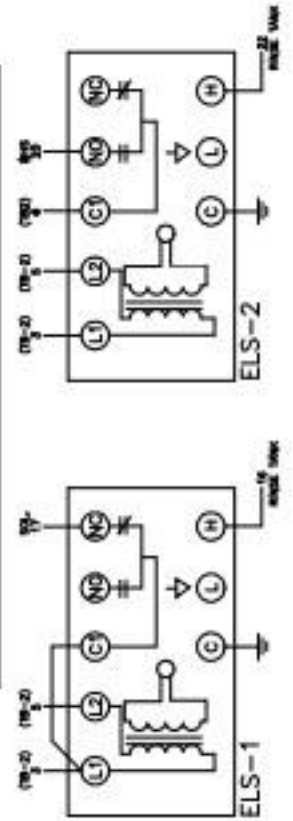
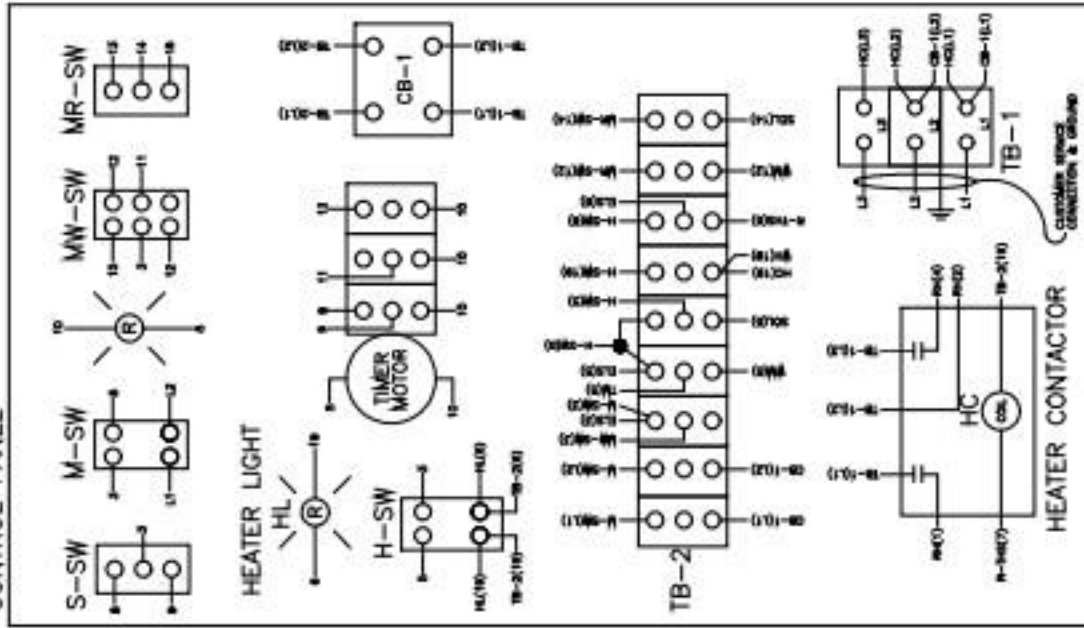


**CONTROL PANEL**



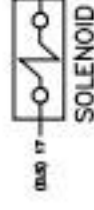
WASH MOTOR



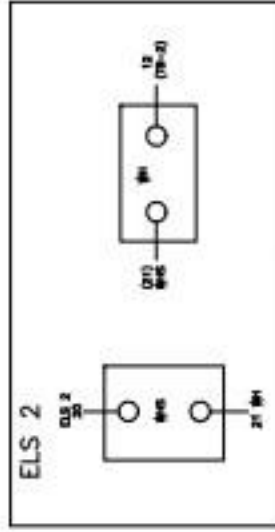
RINSE MOTOR



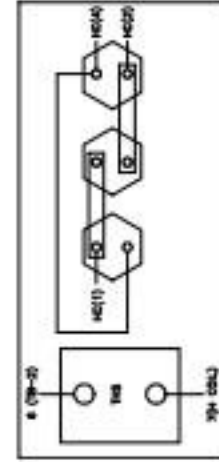
RINSE PROBE



WASH PROBE

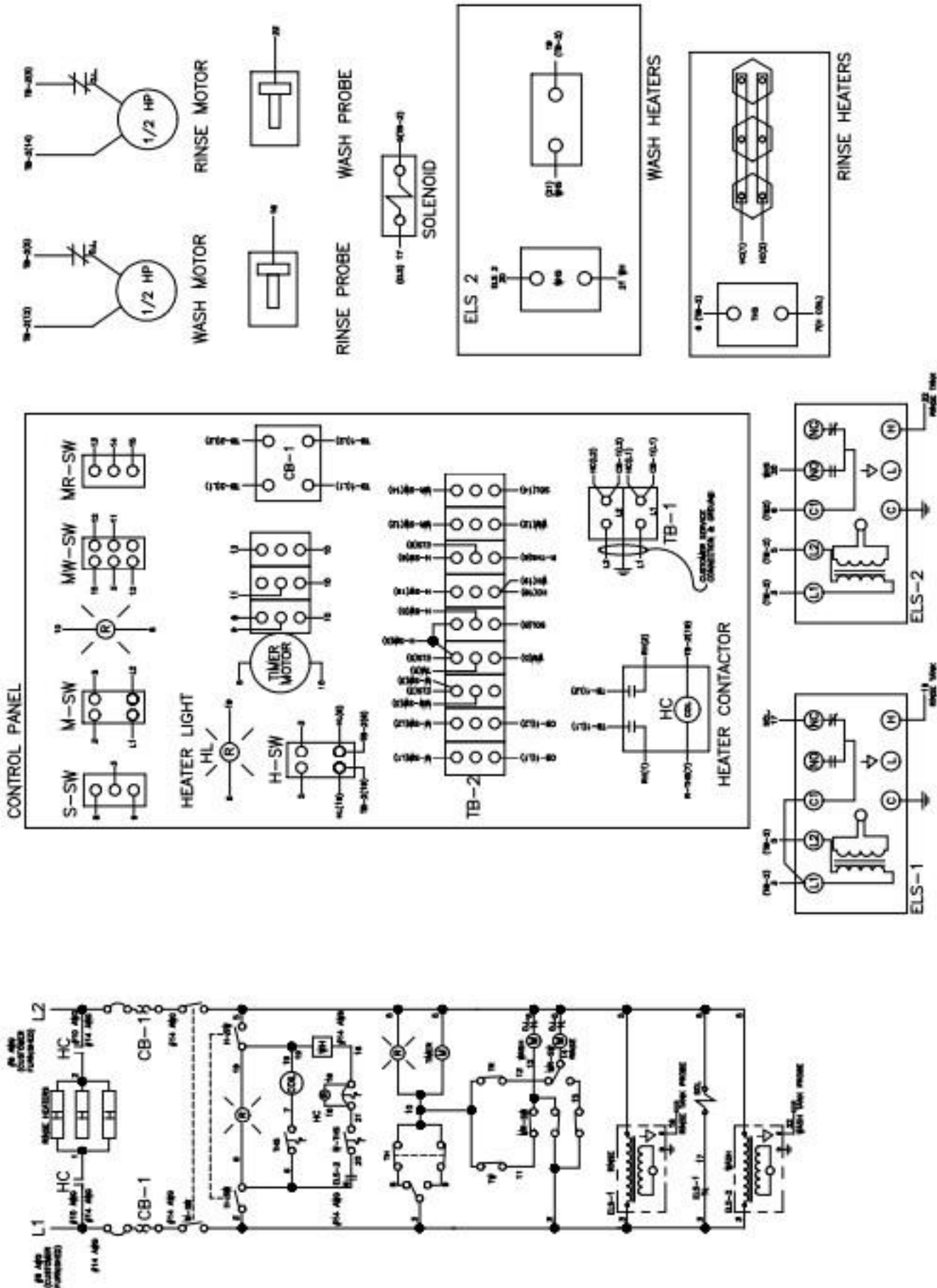


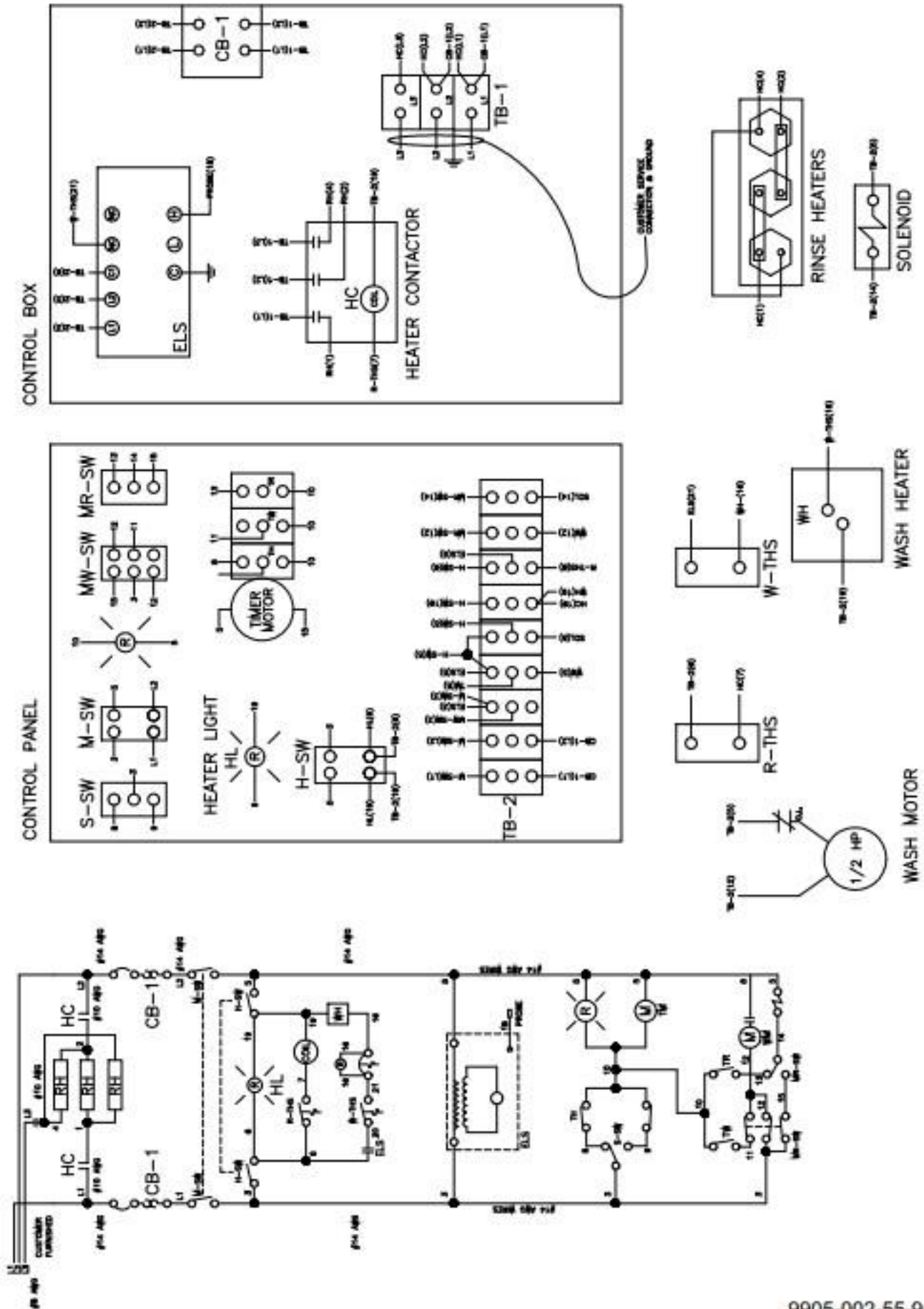
WASH HEATER



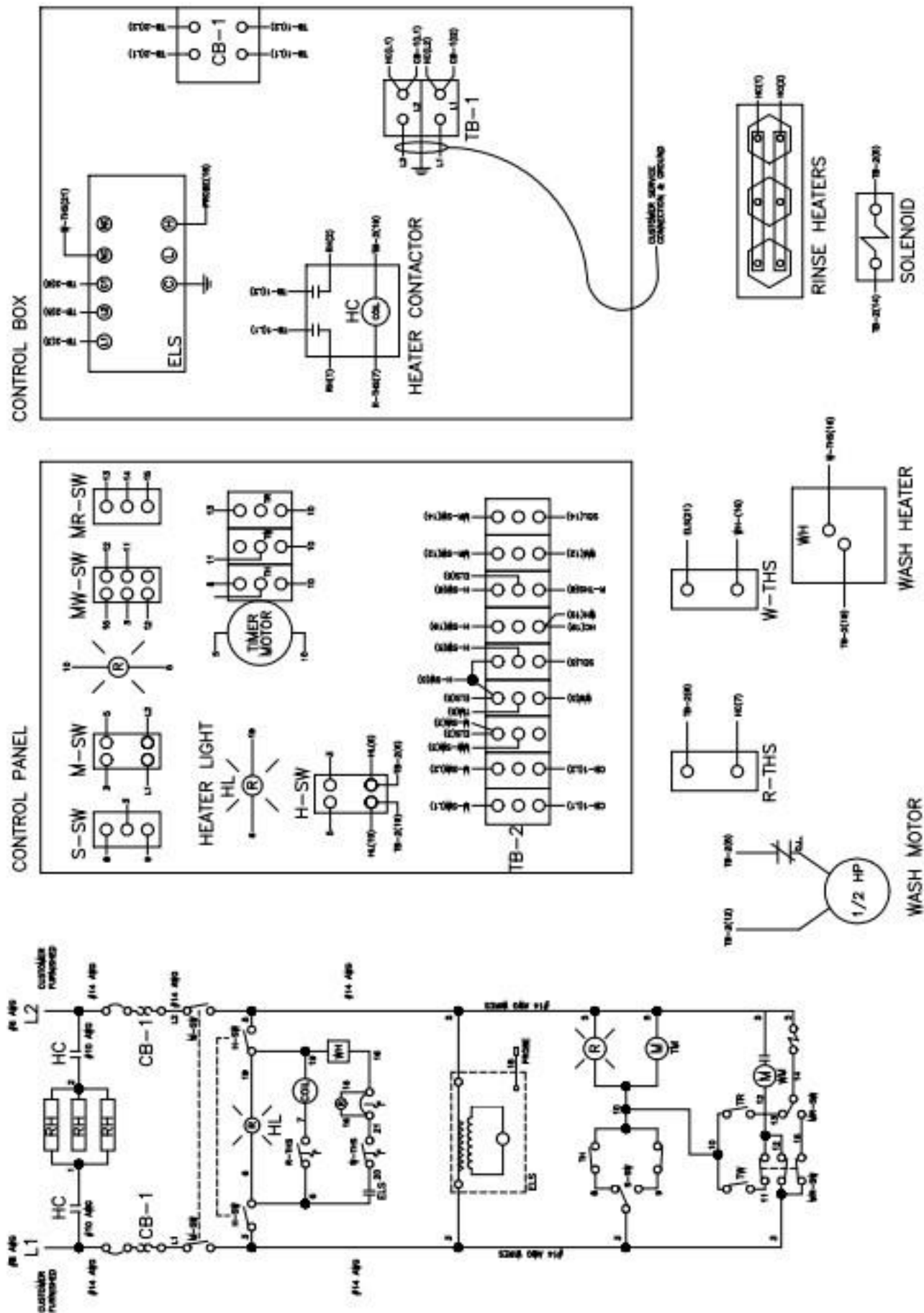
RINSE HEATERS

10APRB WIRING DIAGRAM (208-230 VOLT, 60HZ, SINGLE PHASE)



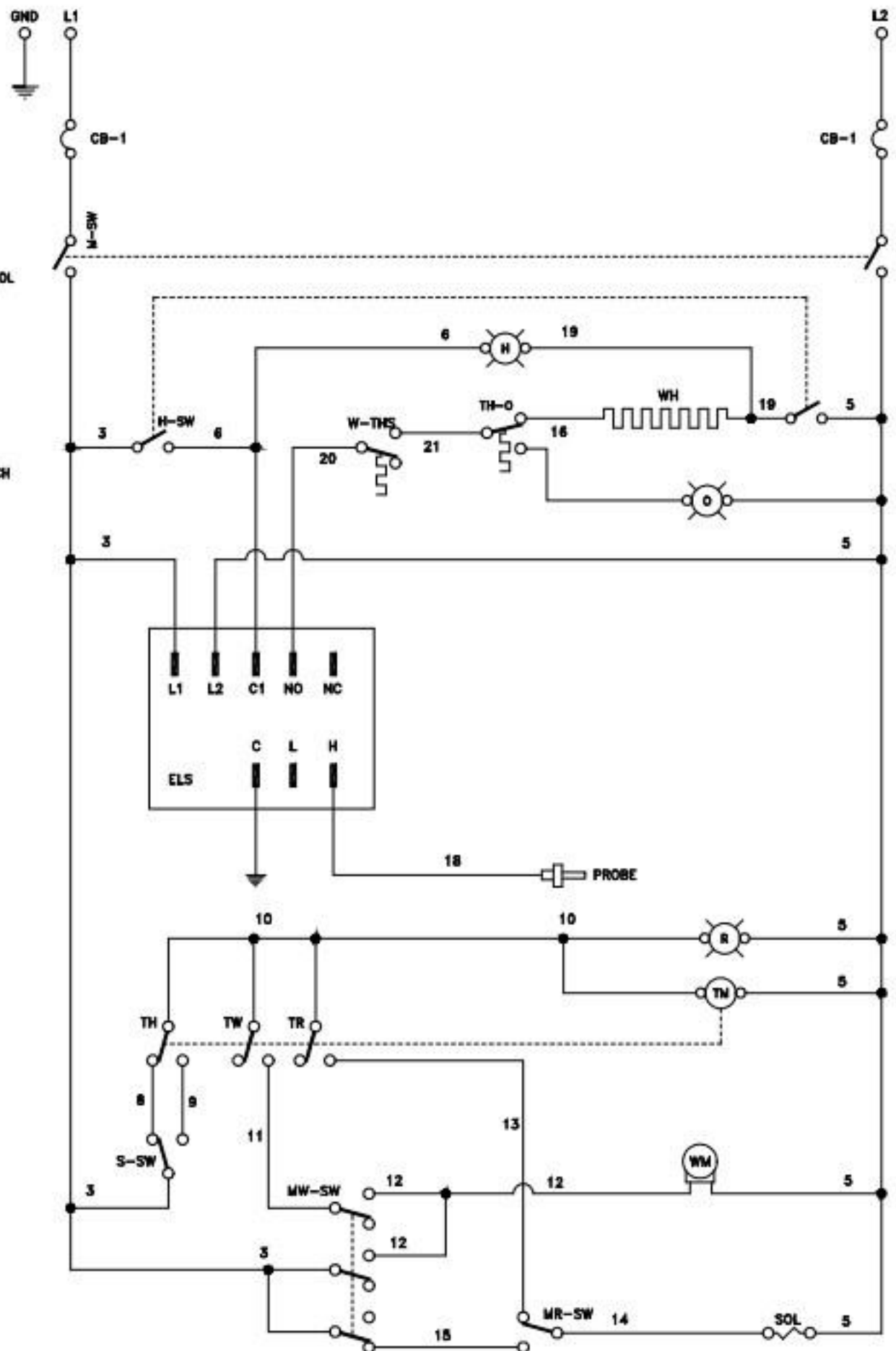


10AB WIRING DIAGRAM (208-230 VOLT, 60HZ, SINGLE PHASE)



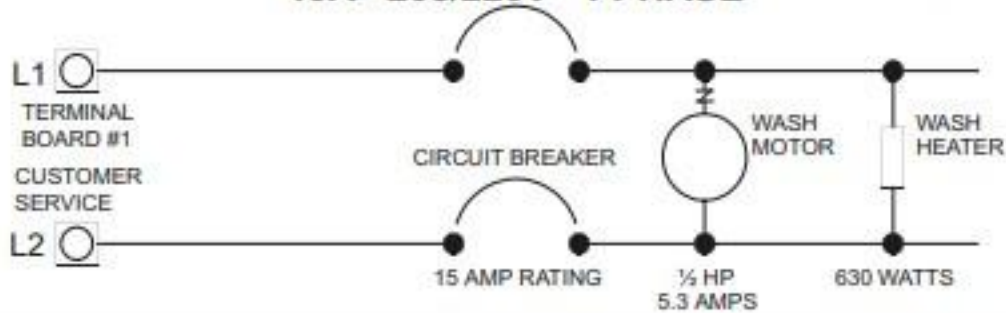
## LEGEND

GND	GROUND
CB-1	CIRCUIT BREAKER
M-SW	MASTER SWITCH
H-SW	HEATER SWITCH
W-TMS	WASH THERMOSTAT
ELS	WATER LEVEL CONTROL
TH	CYCLE CAM
TW	WASH CAM
TR	RINSE CAM
R	CYCLE LIGHT
TM	TIMER MOTOR
S-SW	CYCLE SWITCH
MW-SW	MANUAL WASH SWITCH
SOL	FILL SOLENOID



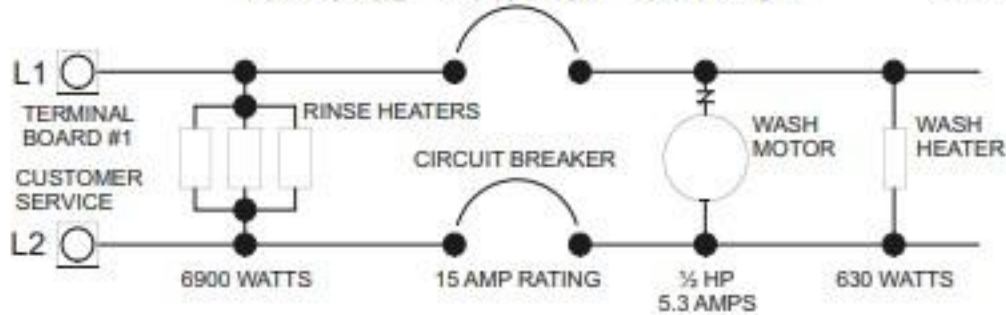
### 10A 208/220V 1 PHASE

09905-002-57-63 A



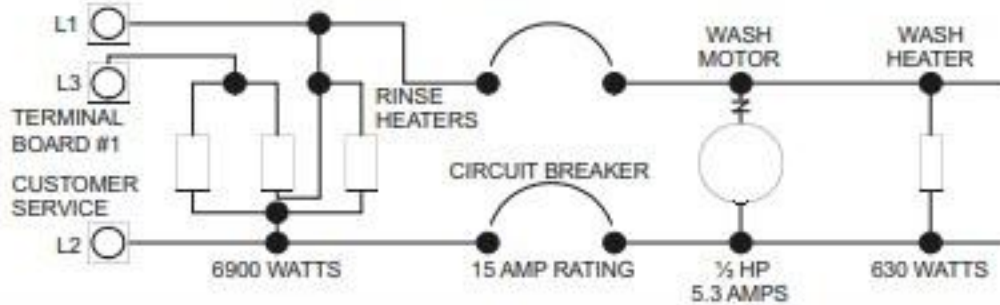
### 10AB/10U 208/220V 1 PHASE

09905-105-33-69 B



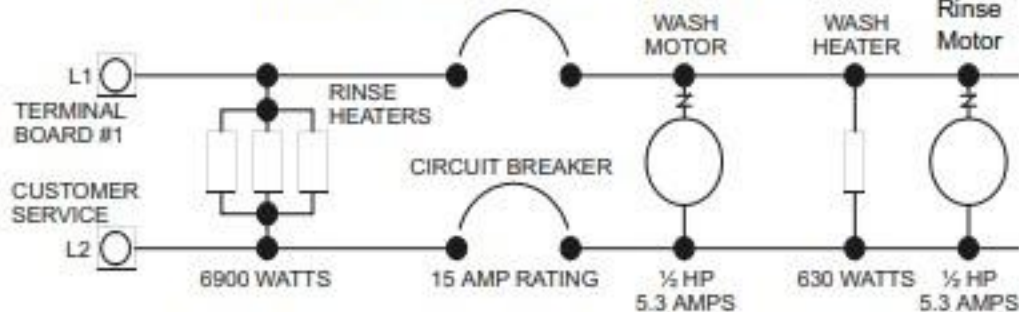
### 10AB/10U 208/220V 3 PHASE

09905-105-34-47 B



### 10APRB 208/220V 1 PHASE

09905-105-33-62 C



### 10APRB 208/220V 3 PHASE

09905-105-34-90 B

