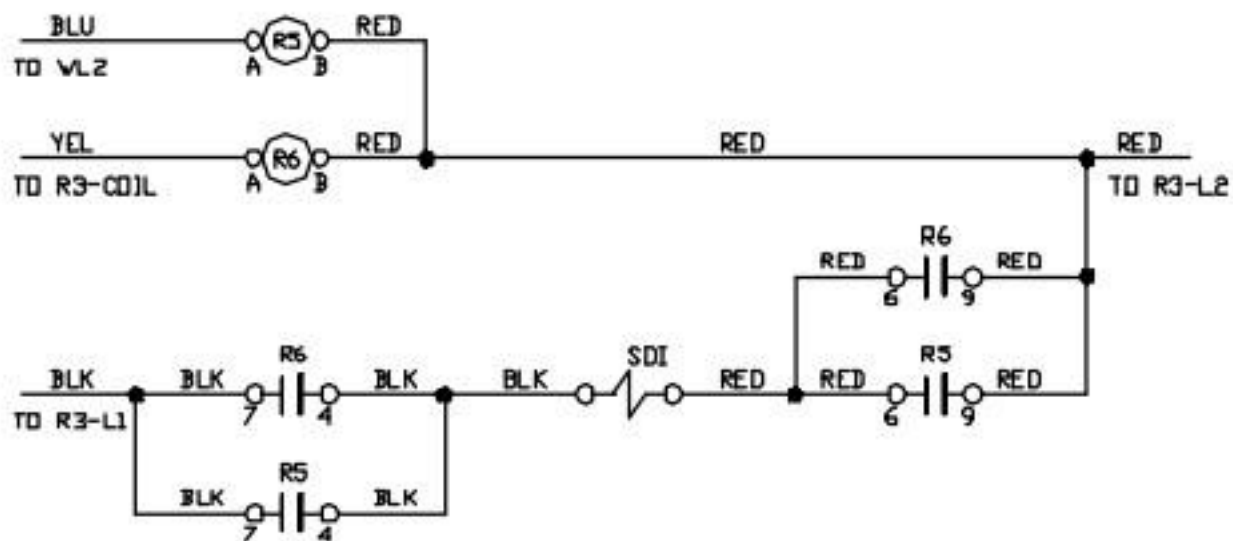


TEMPSTAR SDI OPTION



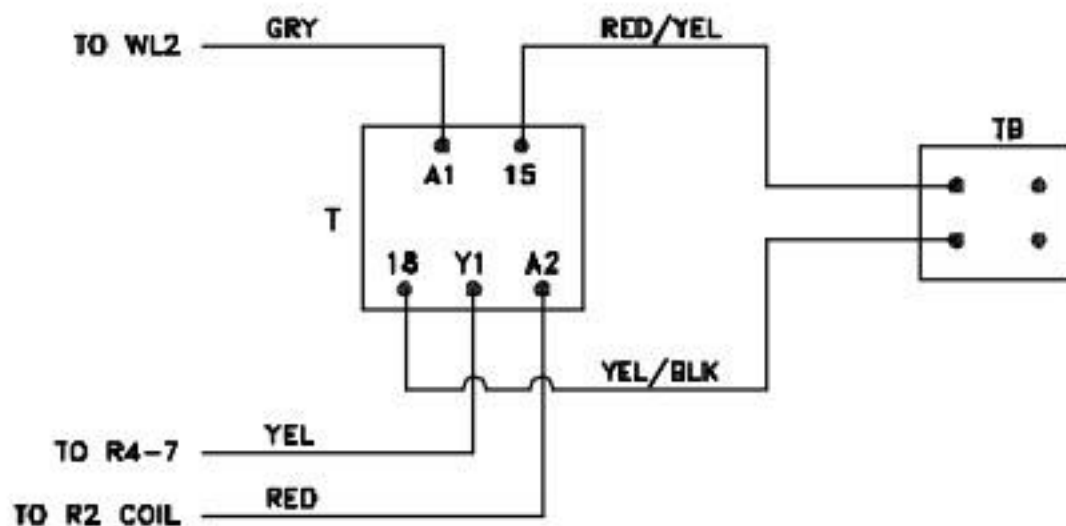
LEGEND

R5 RINSE RELAY
R6 WASH RELAY
SDI SAFETY DOOR INTERLOCK SOLENOID

TEMPSTAR EXHAUST FAN HOOKUP

LEGEND

T TIMER
TB TERMINAL BOARD



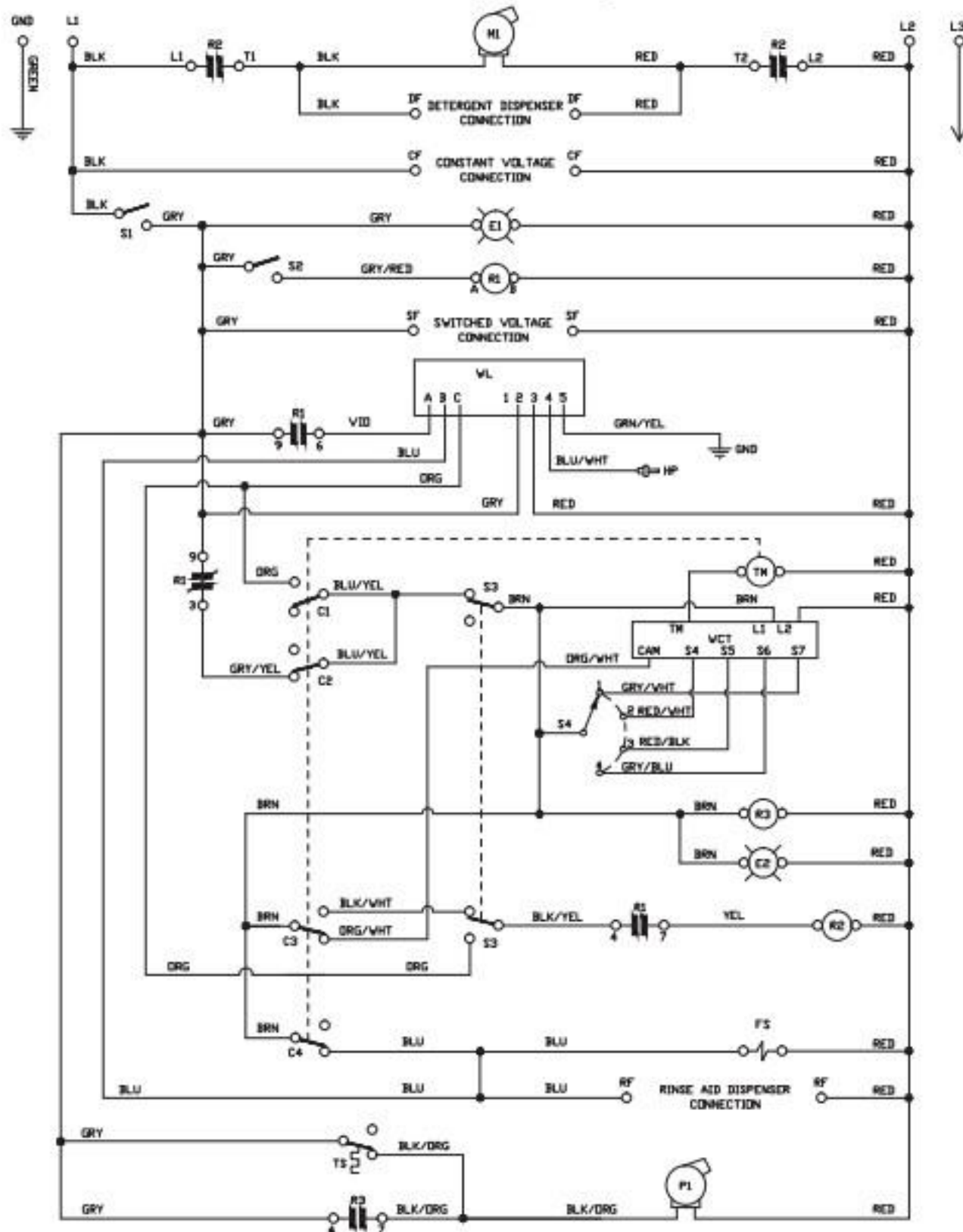
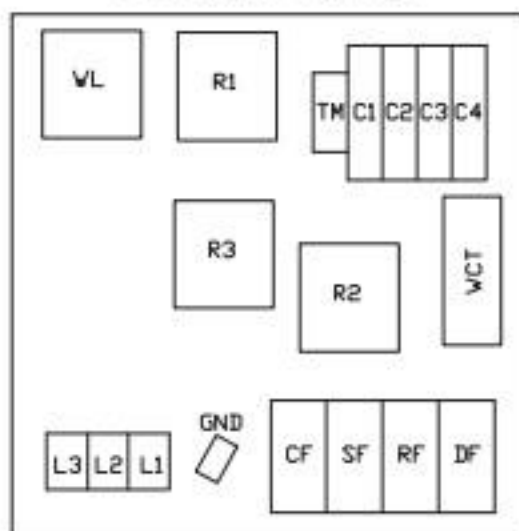
TEMPSTAR HIGHER HOOD GPX ELECTRICAL DIAGRAM

200-240 VOLT 50/60 HERTZ 1/3 PHASE

LEGEND

L1 L2 L3	POWER DISTRIBUTION BLOCK
GND	CHASSIS GROUND
M1	WASH PUMP MOTOR
P1	CIRCULATOR PUMP
R1	CONTROL RELAY
R2	WASH MOTOR CONTACTOR
R3	WASH TEMPERATURE RELAY
S1	POWER SWITCH
S2	DOOR SWITCH
S3	NORMAL/DELIME SWITCH
S4	CYCLE SELECTOR
C1	CYCLE SWITCH
C2	AUTO START RESET SWITCH
C3	WASH CYCLE SWITCH
C4	RINSE/FILL SWITCH
E1	POWER LIGHT
E2	CYCLE LIGHT
FS	FILL SOLENOID
HP	HIGH LEVEL PROBE
TS	WASH THERMOSTAT SWITCH
TM	TIMER MOTOR
WL	WATER LEVEL CONTROL
WCT	WASH CYCLE TIMER
CF	CONSTANT VOLTAGE CONNECTION
SF	SWITCHED VOLTAGE CONNECTION
RF	RINSE AID CONNECTION
DF	DETERGENT CONNECTION

COMPONENT LAYOUT



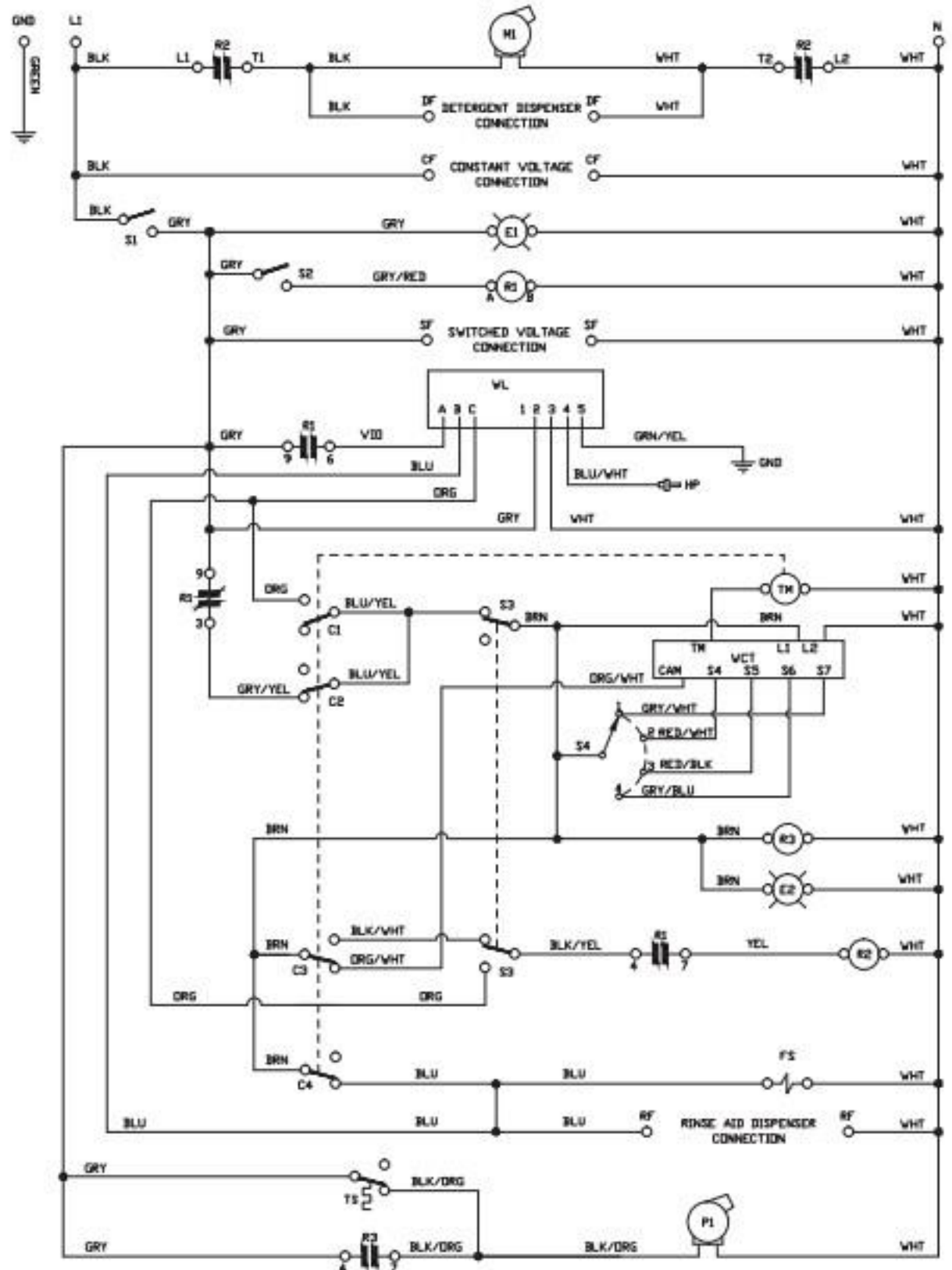
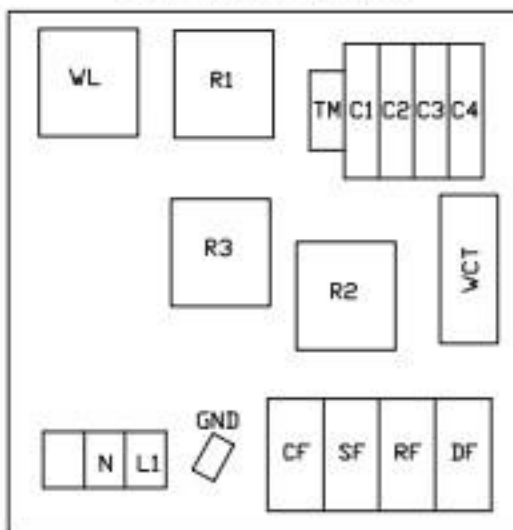
TEMPSTAR HIGHER HOOD GPX ELECTRICAL DIAGRAM

115 VOLT 50/60 HERTZ 1 PHASE

LEGEND

L1 N	POWER DISTRIBUTION BLOCK
GND	CHASSIS GROUND
M1	WASH PUMP MOTOR
P1	CIRCULATOR PUMP
R1	CONTROL RELAY
R2	WASH MOTOR CONTACTOR
R3	WASH TEMPERATURE RELAY
S1	POWER SWITCH
S2	DOOR SWITCH
S3	NORMAL/DELIME SWITCH
S4	CYCLE SELECTOR
C1	CYCLE SWITCH
C2	AUTO START RESET SWITCH
C3	WASH CYCLE SWITCH
C4	RINSE/FILL SWITCH
E1	POWER LIGHT
E2	CYCLE LIGHT
F2	FILL SOLENOID
HP	HIGH LEVEL PROBE
TS	WASH THERMOSTAT SWITCH
TM	TIMER MOTOR
WL	WATER LEVEL CONTROL
WCT	WASH CYCLE TIMER
CF	CONSTANT VOLTAGE CONNECTION
SF	SWITCHED VOLTAGE CONNECTION
RF	RINSE AID CONNECTION
DF	DETERGENT CONNECTION

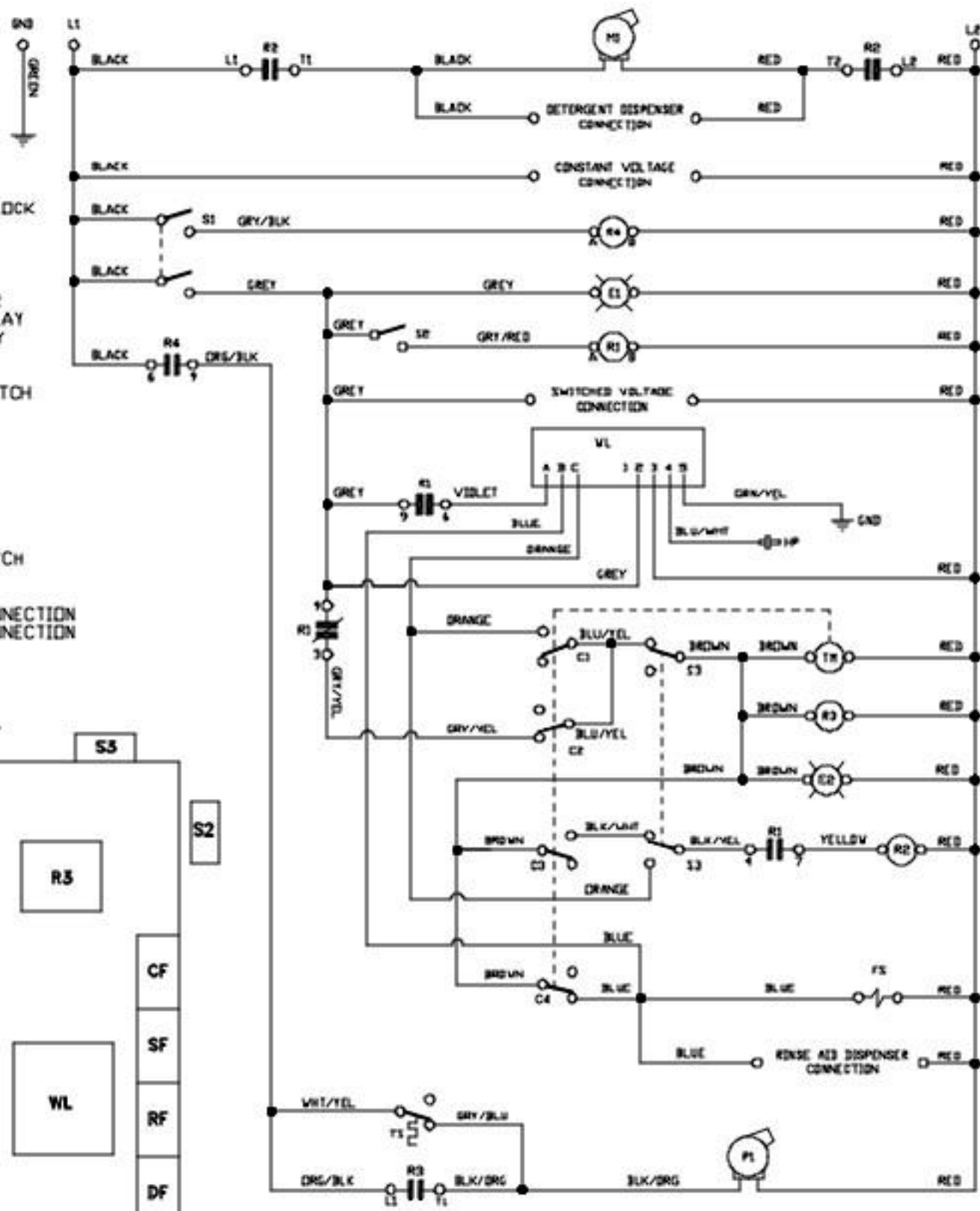
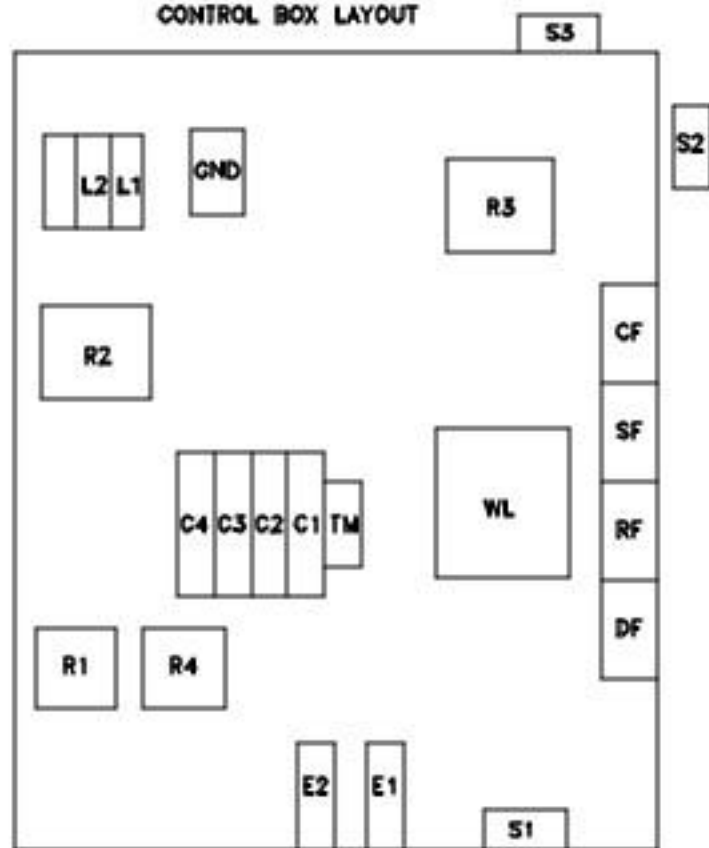
COMPONENT LAYOUT



LEGEND

- L1 L2 POWER DISTRIBUTION BLOCK
- GND GROUND
- M1 WASH PUMP MOTOR
- P1 CIRCULATOR PUMP
- R1 CONTROL RELAY
- R2 WASH MOTOR CONTACTOR
- R3 WASH TEMPERATURE RELAY
- R4 CIRCULATOR PUMP RELAY
- TM TIMER MOTOR
- C1 CYCLE SWITCH
- C2 AUTO START RESET SWITCH
- C3 WASH CYCLE SWITCH
- C4 RINSE/FILL SWITCH
- S1 POWER SWITCH
- S2 DOOR SWITCH
- S3 NORMAL/DELIME SWITCH
- E1 POWER LIGHT
- E2 CYCLE LIGHT
- FS FILL SOLENOID
- TS WASH THERMOSTAT SWITCH
- VL WATER LEVEL CONTROL
- HP HIGH LEVEL PROBE
- CF CONSTANT VOLTAGE CONNECTION
- SF SWITCHED VOLTAGE CONNECTION
- RF RINSE AID CONNECTION
- DF DETERGENT CONNECTION

CONTROL BOX LAYOUT



LEGEND

- L1 N POWER DISTRIBUTION BLOCK
- GND GROUND
- M1 WASH PUMP MOTOR
- P1 CIRCULATOR PUMP
- R1 CONTROL RELAY
- R2 WASH MOTOR CONTACTOR
- R3 WASH TEMPERATURE RELAY
- R4 CIRCULATOR PUMP RELAY
- TM TIMER MOTOR
- C1 CYCLE SWITCH
- C2 AUTO START RESET SWITCH
- C3 WASH CYCLE SWITCH
- C4 RINSE/FILL SWITCH
- S1 POWER SWITCH
- S2 DOOR SWITCH
- S3 NORMAL/DELIME SWITCH
- E1 POWER LIGHT
- E2 CYCLE LIGHT
- FS FULL SOLENOID
- TS WASH THERMOSTAT SWITCH
- WL WATER LEVEL CONTROL
- HP HIGH LEVEL PROBE
- CF CONSTANT VOLTAGE CONNECTION
- SF SWITCHED VOLTAGE CONNECTION
- RF RINSE AID CONNECTION
- DF DETERGENT CONNECTION

CONTROL BOX LAYOUT

