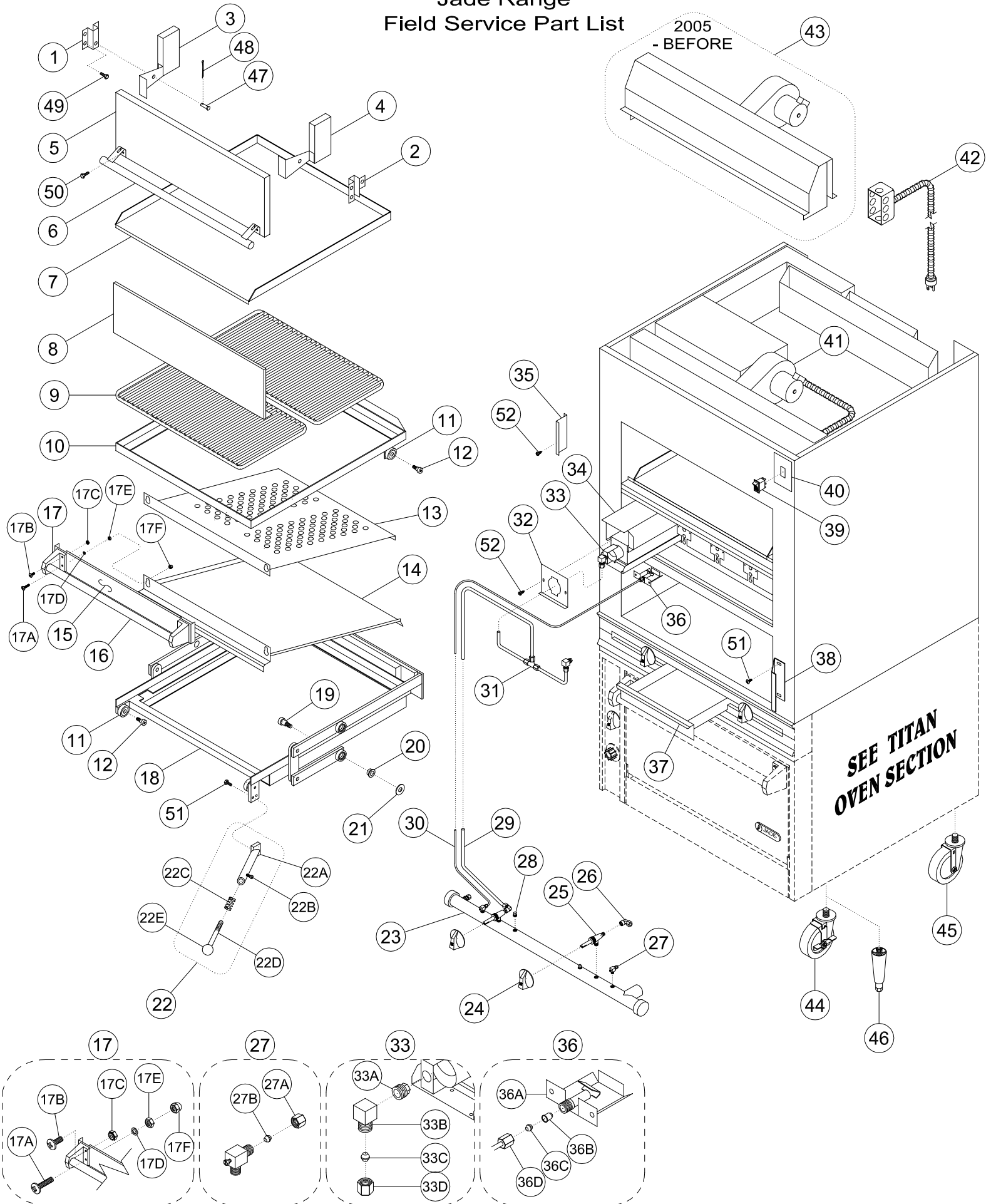


TITAN - JSHBI INFRA-RED BROILER SECTION

Jade Range

Field Service Part List



JSHBI - INFRA-RED BROILER SECTION

ITEM	DESCRIPTION	PART #	LIST
1	BRACKET, DOOR LEFT SIDE	8916900000	
2	BRACKET, DOOR RIGHT SIDE	8916910000	
3	DOOR HINGE W/WEIGHT, ASSY LEFT	2500010172	
4	DOOR HINGE W/WEIGHT, ASSY RIGHT	2500010173	
5	DOOR, WARMING OVEN	8958100090	
6	HANDLE W/BRACKET (WARMING OVEN)	8957100090	
7	BOTTOM PAN (WARMING OVEN)	8921400000	
8	AIR PLENUM COVER	8926400000	
9	RACK, WIRE	1422900000	
10	HORIZONTAL FRAME, ASSY	8957200090	
11	BALL BEARING	3051900000	
12	SHOULDER BOLT (small)	3452200000	
13	DRIP TRAY FILTER	2100002876	
14	GREASE CATCHER, TRAVELING	2100002875	
15	CARRIAGE FRONT COVER	8923900000	
16	HANDLE, BAR	8935100000	
17	HANDLE BRACKET	3010400100	
	A BOLT, 1/4-20 x 1"	3425600000	
	B BOLT, 1/4-20 x 3/4"	3423100000	
	C NUT, SELF LOCKING, 1/4-20	3474100000	
	D WASHER, LOCK, EXTERNAL TOOTH	3474200000	
	E NUT, 1/4-20	3426200000	
	F NUT, ACORN, 1/4-20	3473900000	
18	VERTICAL FRAME, ASSY (W/BEARING)	8957300090	
19	BOLT, SHD, SOCKET 3/4 x 5/8	3452100000	
20	BUSHING 5/8	8950000000	
21	SPACER, BUSHING	8933000000	
22	HANDLE, CARRIAGE, ASSY	2500127432	
	A HANDLE WELD ASSY	2500127433	
	B SCREW, SHOULDER 3/8 DIA x 3/4"	3461800000	
	C CENT. SPRING #S-412	3052800000	
	D HANDLE, ROD	8928000000	
	E KNOB, PLASTIC BL #604 (5/8"-18 THREAD)	3048500000	
23	MANIFOLD - T (JTRH-4-36)	9414700200	
24	KNOB, CHROME (JADE)	3023100200	
	KNOB, CHROME, NEW STYLE (RED STRIPE)	1184265	
25	GAS VALVE, 2 POSITION 1/4"	3000011171	
26	ADAPTER ELBOW 3/8" x 1/4 FNPT	1831400000	
27	VALVE, SINGLE PILOT - ADJUSTABLE (1/4CC x 1/8 NPT)	4410400000	
	A SLEEVE, (FERRULE) 1/4" COMP.	1832200000	
	B NUT, 1/4" COMP.	1830700000	
28	PLUG, 1/8 HX HD BLK	1813000000	
29	TUBING, S/S 3/8" (SOLD BY THE INCH)	5612500000	
30	TUBING, 1/4" x .028 RIGID S/S (SOLD BY THE INCH)	5612600000	
31	TEE, COMP 3/8	1831100000	
32	BURNER AIR INLET SEAL PLATE	8923300000	
33	BURNER, INFRA-RED W/NG. ORIFICE	1215300100	
	A ORIFICE #40, NAT	4610300000	
	ORIFICE #52, LP	4631400000	
	B ELBOW ADAPTER (HOLDS ORIFICE)	4627600000	
	C SLEEVE, (FERRULE) 3/8" COMP.	1816900000	
	D NUT, 3/8" COMP.	1833000000	

Continue next page

JSHBI - INFRA-RED BROILER SECTION

ITEM	DESCRIPTION	PART #	LIST
34	HEAT SHIELD, BURNER	8937100000	
35	SHIELD	8929500000	
36	PILOT ASSY W/BRACKET	2500128145	
	A GAS PILOT DEFLECTOR SHIELD	8923800000	
	B ORIFICE BELL, NAT #18	4617900000	
	ORIFICE BELL, LP #10	4623700000	
	C SLEEVE, (FERRULE) 1/4" COMP.	1832200000	
	D NUT, 1/4" COMP.	1830700000	
37	GREASE DRAWER	8931600000	
38	LATCH PLATE (FOR CARRIAGE)	8926500000	
39	ON/OFF SWITCH, BLOWER W/LIGHT	2039200000	
40	SWITCH LABEL, ON/OFF	2448800000	
41	BLOWER, MOTOR ONLY (75 CFM)	3000010267	
42	CORD / PLUG ASSY	2500129081	
43	BLOWER KIT W/PLENUM ADAPTER FOR UNIT 2005 - BEFORE	8400104000	
44	CASTER, LOCKING 5" DIA	3000011271	
45	CASTER, NON-LOCKING 5" DIA	3000011272	
46	LEG 6"	3012700000	
47	CLEVIS PIN 1/2 DIA. x 1"	3459600000	
48	PIN, 1/8 x 1 1/2, COTTER	3429400000	
49	BOLT, 1/4-20 x 1/2 HX ZN	3444200000	
50	SCREW, 1/4-20 x 3/4 PH FILL ZN	3463400000	
51	BOLT, 1/4-20 x 3/4 HCS ZN	3423100000	
52	SCREW, #10 x 1/2 HX ZN TK	3412300000	

3000011910

01.22.2010