

NO. 71164

ISSUED: JAN. 28, 2000

REVISED: JULY 29, 2003



**HOSHIZAKI
MODULAR CRESCENT CUBER**

MODEL

KM-1300MAF

KM-1300MWF

KM-1300MRF

(FINAL) PARTS LIST

KM-1300MAF	J-0	Aug., 1999
	K-0	Dec., 1999
	L-0	Dec., 2000

KM-1300MWF	J-0	Aug., 1999
	K-0	Nov., 1999
	L-0	Jan., 2001

KM-1300MRF	J-0	Aug., 1999
	K-0	Dec., 1999
	L-0	Dec., 2000

MATERIAL ABBREVIATIONS

ALUMINUM

AL = Aluminum

COPPER

CU = Copper

PLASTIC

ABS = Acrylonitrile -butadiene - styrene
 AC = Polyacetal
 EVA = Ethylene vinyl acetate
 PA = Polyamide = Nylon
 PC = Polycarbonate
 PE = Polyethylene
 PES = Polyester
 PETP = Polyethylene terephthalate = Tetlon
 PP = Polypropylene
 PS = Polystyrene
 PTFE = Polytetrafluoroethylene = Teflon
 PUR = Polyurethane
 PVC = Polyvinyl chloride

RUBBER

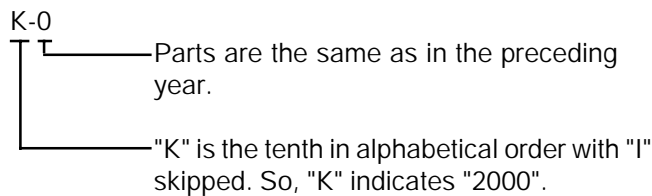
VN = Vinyl Nitrile
 EPDM = EP rubber
 NBR = Nitrile butadiene rubber
 NR = Natural rubber
 NP = Neoprene
 SI.R = Silicone rubber
 SY.R = Synthetic rubber
 EPH = Epichlorohydrin

STEEL

G.S = Galvanized steel
 S.S = Stainless steel
 PS = Plated steel
 PAS = Primed steel

AUXILIARY CODE

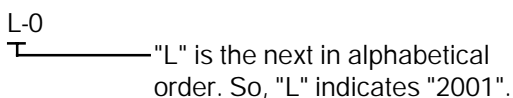
Ex.1



(Note) - = Part deleted.

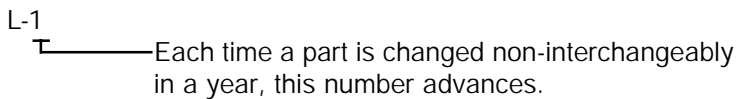
x = Part deleted and replaced by "o" part (interchangeable).

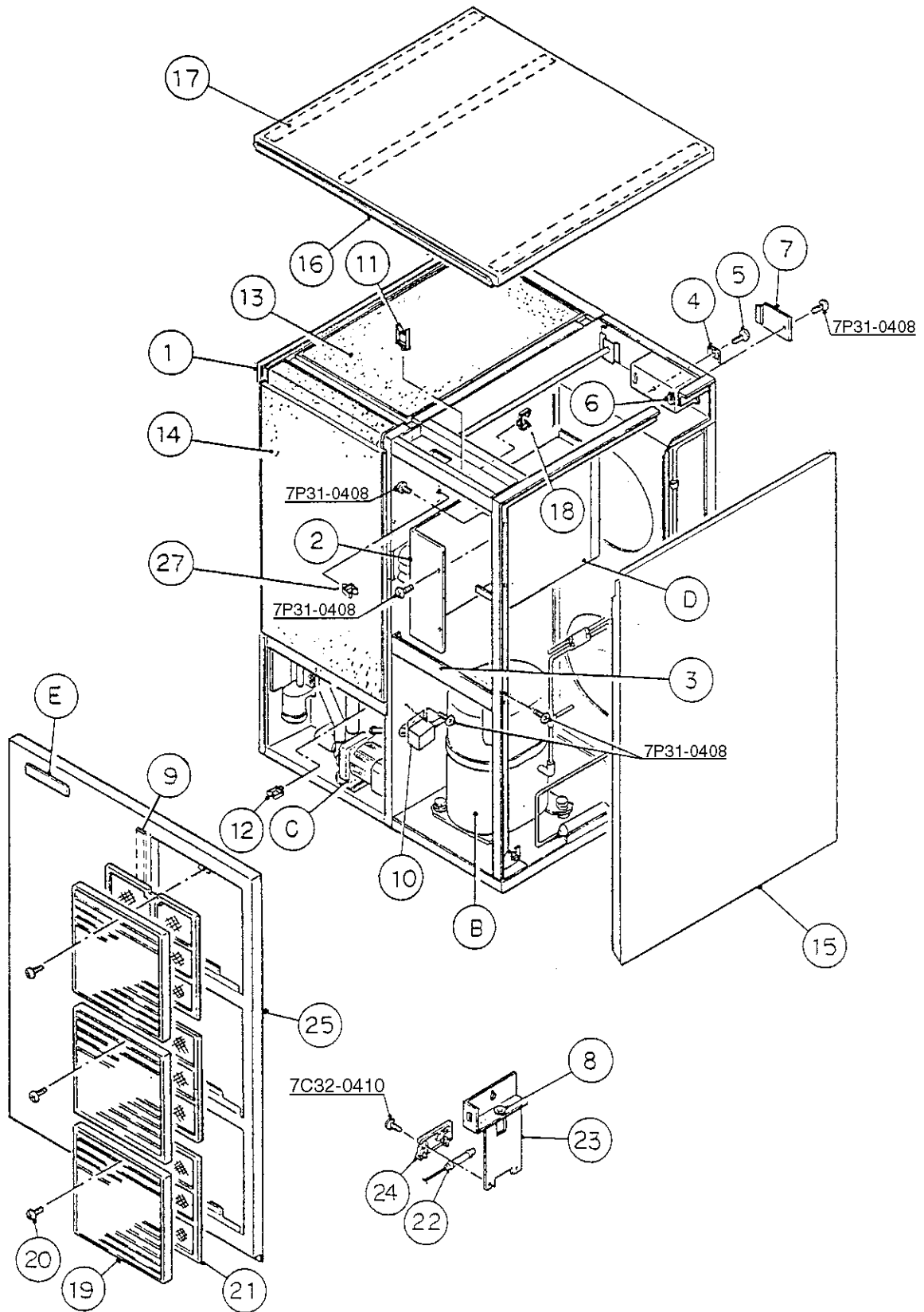
Ex.2

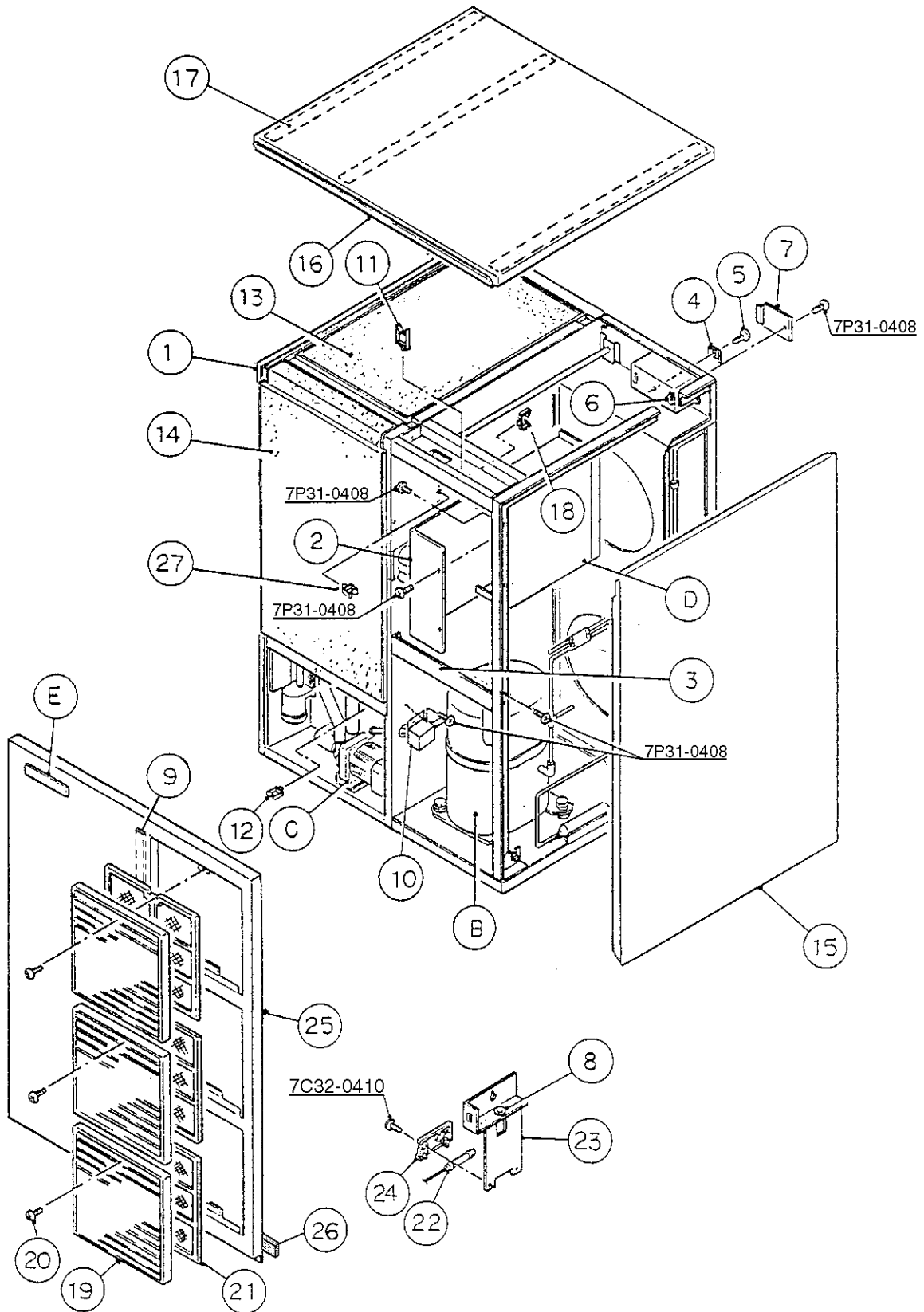


o = New part for "x" in the same auxiliary code.

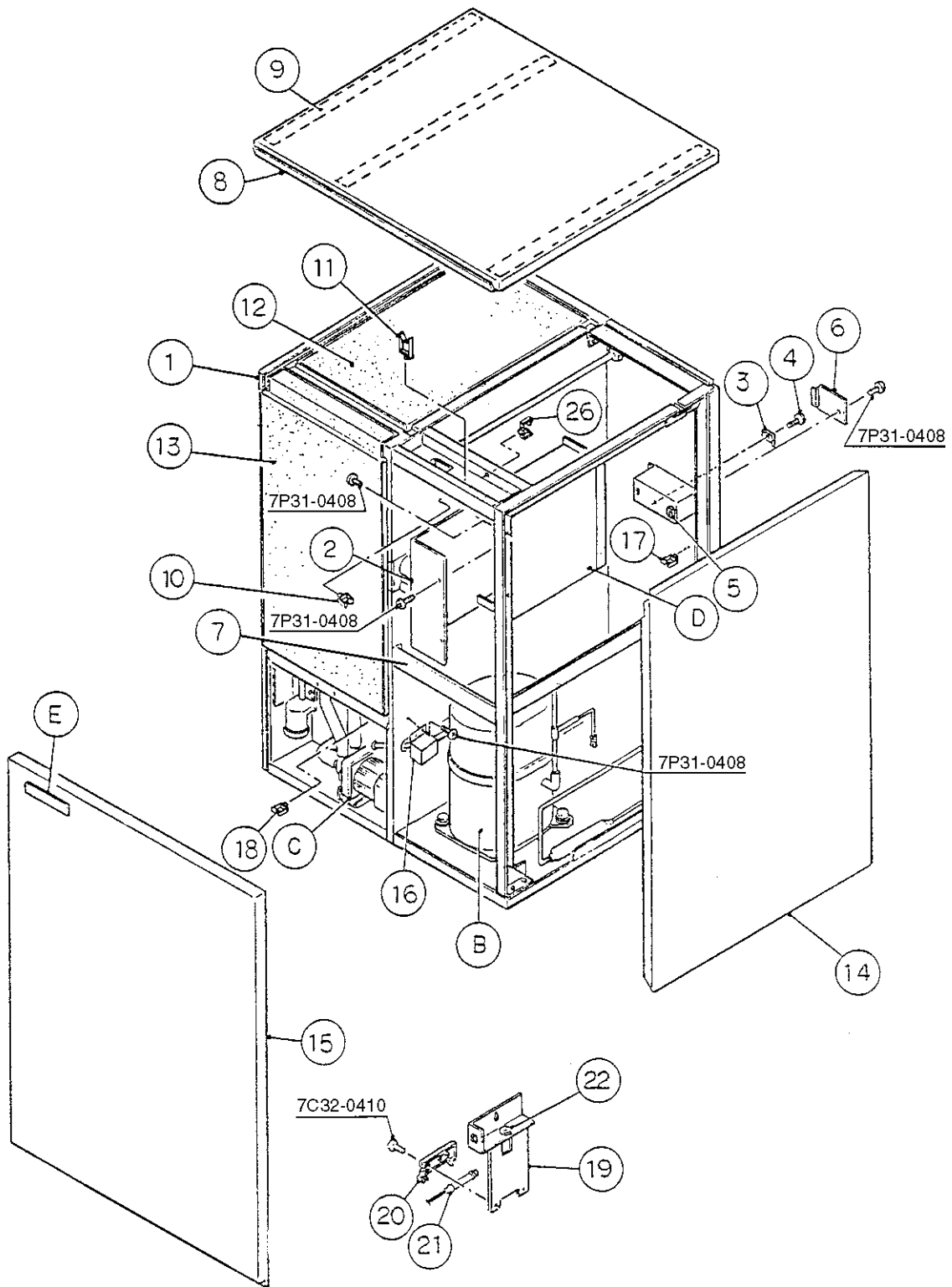
Ex.3



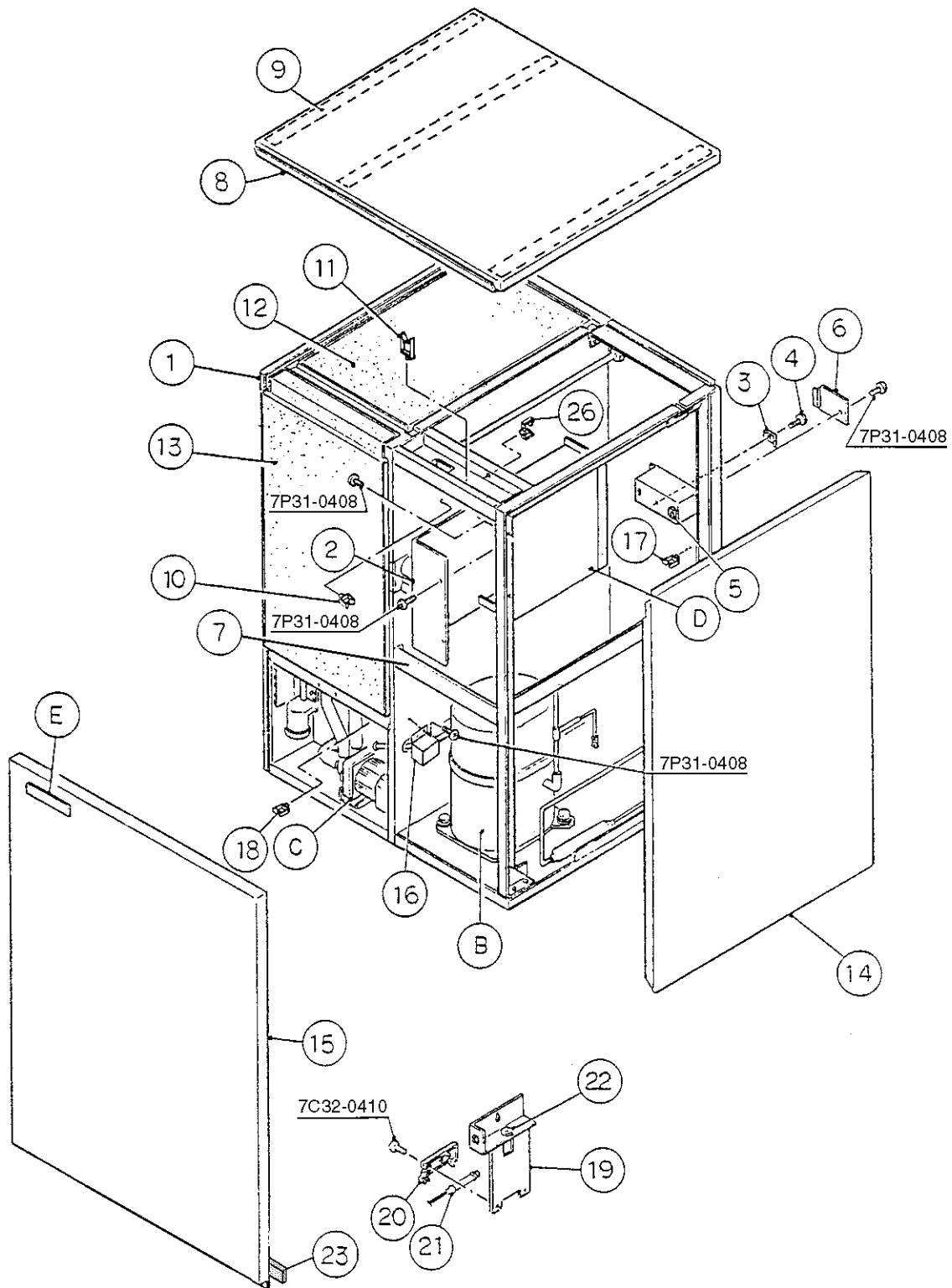




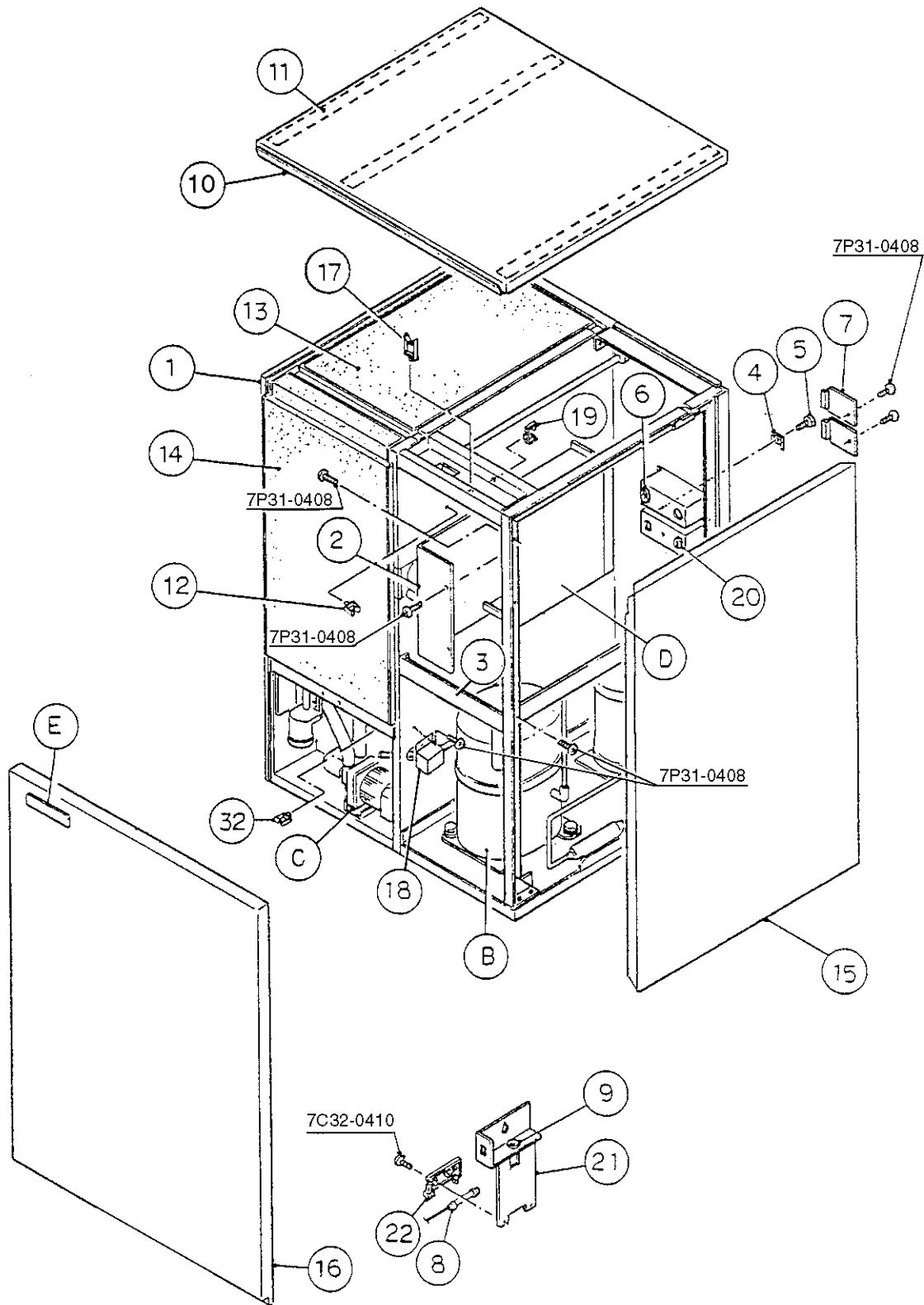
MODEL: KM-1300MAF TITLE: A. ICE CUBER ASSEMBLY								
INDEX NO.	DESCRIPTION	MATERIAL OR MODEL NUMBER	PART NUMBER	REQUIRED NUMBER				
				J-0	K-0	L-0		
B	REFRIGERATION CIRCUIT	-	1A0462A01	1	1	1		
C	WATER CIRCUIT	HS-1201	1A0094A04	1	1	1		
D	CONTROL BOX ASSEMBLY	HS-1101	2A1081A02	1	1	1		
	T2 SCREW	4X8	7P31-0408	3	3	3		
E	LABEL LOCATION	-	2A1652A01	1	1	1		
1	EVAPORATOR CASE	HS-1016	105124G07	1	1	1		
2	CONTROL BOX COVER	GS	3A0174-01	1	1	1		
	T2 SCREW	4X8	7P31-0408	2	2	2		
3	FRAME (F)		324093-01	1	1	1		
	T2 SCREW	4X8	7P31-0408	4	4	4		
4	SQUARE WASHER	BRASS	433537-02	1	1	1		
5	SCREW - GROUNDING	BRASS	433304-02	1	1	1		
6	BUSHING	SR-34-2	420472-05	1	1	1		
7	JUNCTION BOX COVER	GS	433410-01	1	1	1		
	T2 SCREW	4X8	7P31-0408	1	1	1		
8	BUSHING		425307-01	1	1	1		
9	FOAM SEAL	L=700	4A0661L01	1	1	1		
10	BARRIER		3A0235-01	1	1	1		
	T2 SCREW	4X8	7P31-0408	2	2	2		
11	WIRE SADDLE		4A0338-01	2	2	2		
12	WIRE SADDLE		4A0338-02	1	1	1		
13	TOP INSULATION	ABS, PE	322714G01	1	1	1		
14	FRONT INSULATION	ABS, PE	322711G01	1	1	1		
15	SIDE PANEL (R)	SS	212688G01	1	1	1		
16	TOP PANEL	323836A01 , SS	212687-01	1	1	1		
17	GASKET	323836A01 , PVC	427014-04	3	3	3		
18	WIRE SADDLE		4A0338-03	5	5	5		
19	LOUVER (B)	ABS	103121-03	3	3	3		

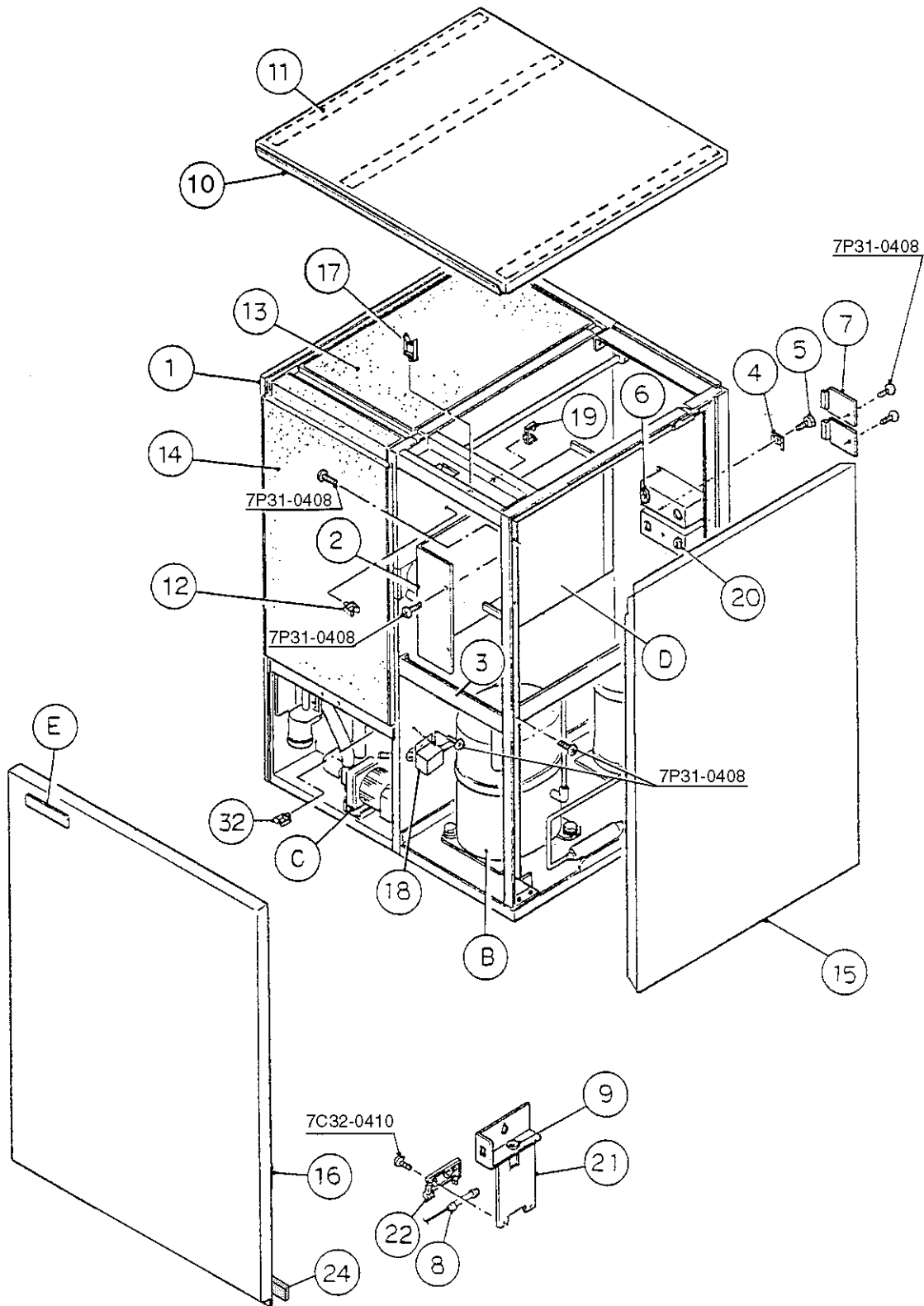


A. ICE CUBER ASSEMBLY

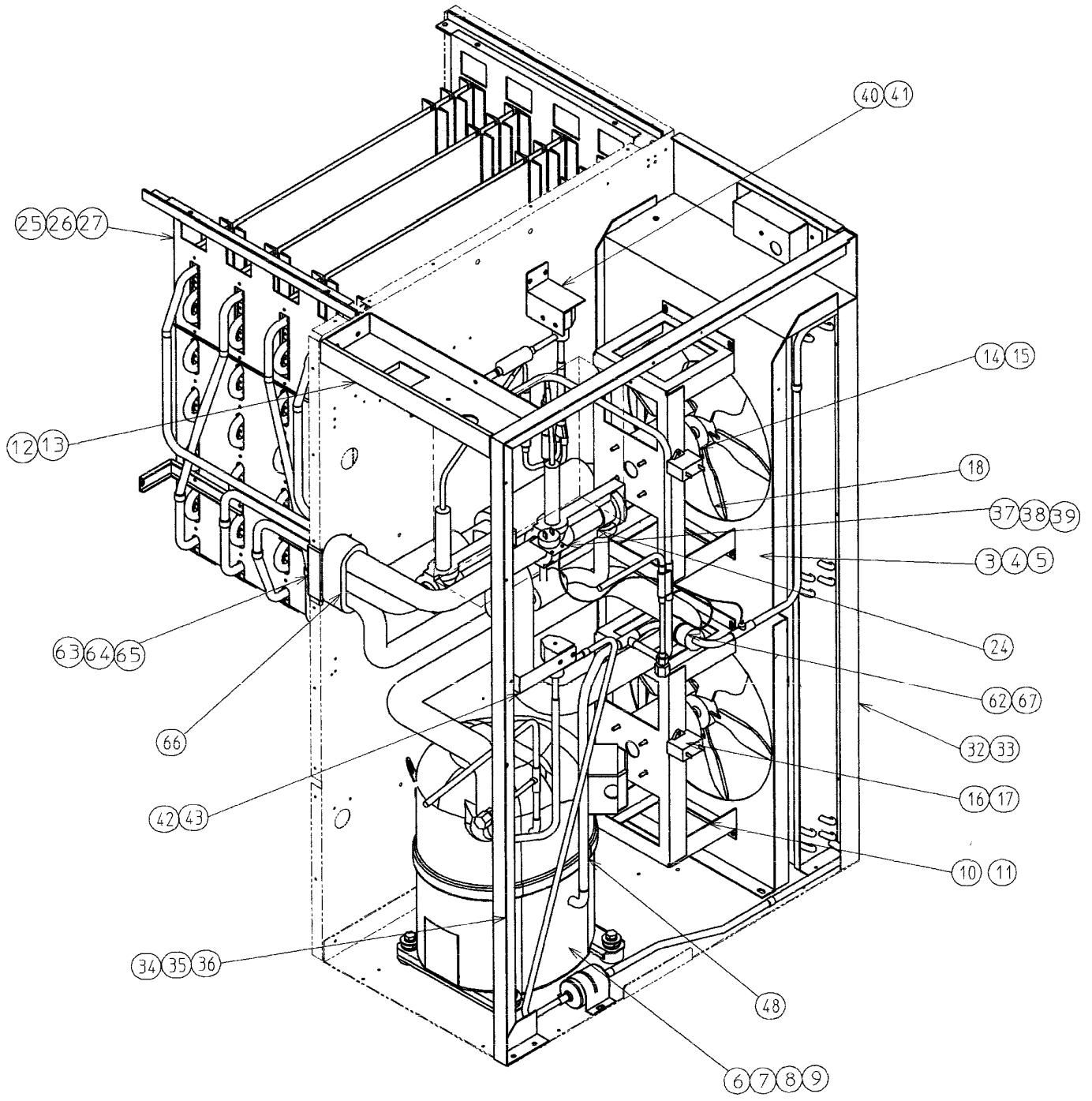


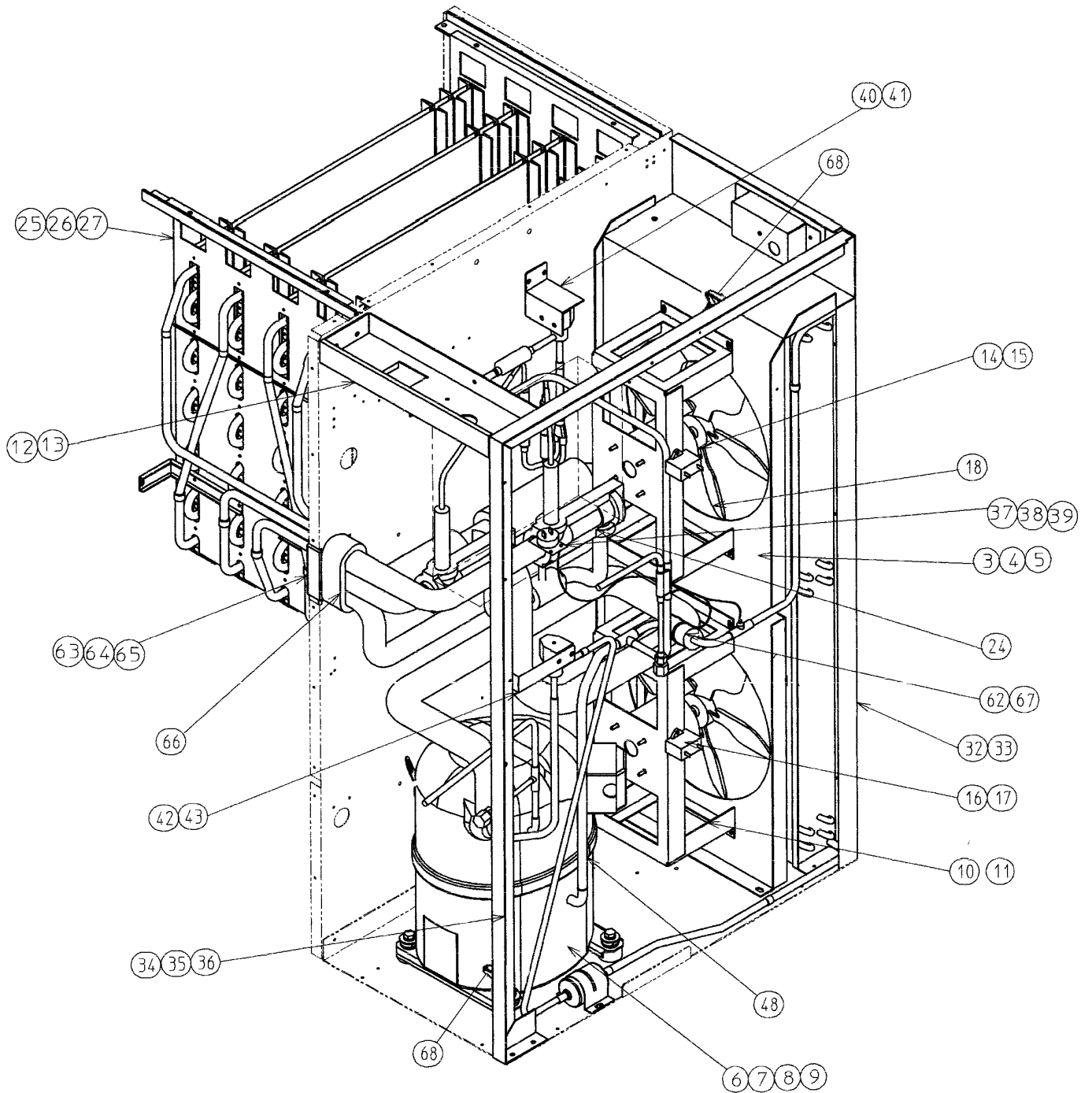
MODEL: KM-1300MWF TITLE: A. ICE CUBER ASSEMBLY								
INDEX NO.	DESCRIPTION	MATERIAL OR MODEL NUMBER	PART NUMBER	REQUIRED NUMBER				
				J-0	K-0	L-0		
B	REFRIGERATION CIRCUIT	-	1A0463A01	1	1	1		
C	WATER CIRCUIT	HS-1201	1A0094A04	1	1	1		
D	CONTROL BOX ASSEMBLY	HS-1101	2A1081A02	1	1	1		
	T2 SCREW	4X8	7P31-0408	3	3	3		
E	LABEL LOCATION	-	2A1653A01	1	1	1		
1	EVAP. CASE	HS-1016	105124G07	1	1	1		
2	CONTROL BOX COVER	GS	3A0174-01	1	1	1		
3	SQUARE WASHER	BRASS	433537-02	1	1	1		
4	SCREW - GROUNDING	BRASS	433304-02	1	1	1		
5	BUSHING	SR-34-2	420472-05	1	1	1		
6	JUNCTION BOX COVER	GS	433410-01	1	1	1		
	T2 SCREW	4X8	7P31-0408	1	1	1		
7	FRAME (F)	GS	427902-03	1	1	1		
	T2 SCREW	4X8	7P31-0408	4	4	4		
8	TOP PANEL	(323836A01) , SS	212687-01	1	1	1		
9	GASKET	PVC	427014-04	3	3	3		
10	WIRE SADDLE	VWS4274-C	4A0338-03	5	5	5		
11	WIRE SADDLE	VWS4218-C	4A0338-01	2	2	2		
12	TOP INSULATION	ABS, PE	322714G01	1	1	1		
13	FRONT INSULATION	ABS,PE	322711G01	1	1	1		
14	SIDE PANEL (R)	SS	212688G01	1	1	1		
15	FRONT PANEL	SS	212686-01	1	1	1		
16	BARRIER	GS	3A0235-01	1	1	1		
17	WIRE SADDLE	VWS42105-C	4A0338-04	1	1	1		
18	WIRE SADDLE	VWS4238-C	4A0338-02	2	2	2		
19	BULB HOLDER	SS	322815G02	1	1	1		
20	BULB HOLDER	ABS	328919-01	1	1	1		
21	SPACER	PE	443545-01	1	1	1		
22	BUSHING	EPDM	425307-01	1	1	1		
	TRUSS HEAD SCREW	SS,, 4X10	7C32-0410	1	1	1		
23	GASKET	L=762	4A0808L02			1		

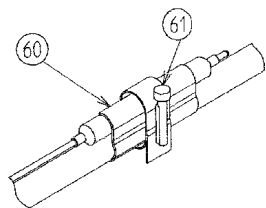
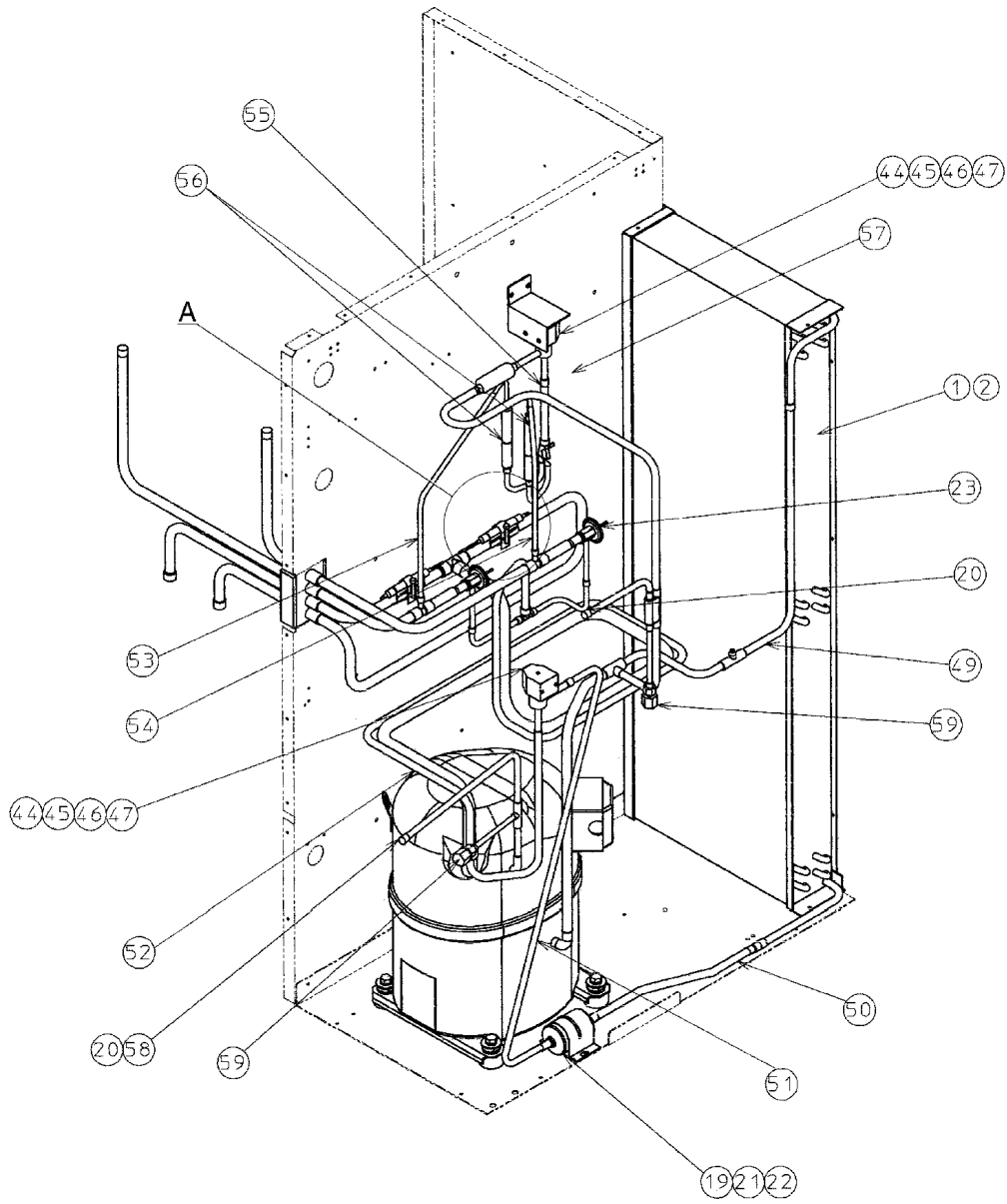




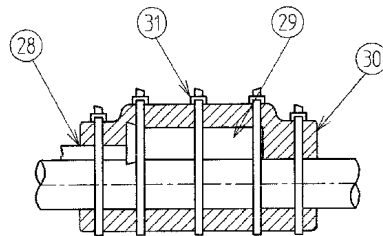
MODEL: KM-1300MRF TITLE: A. ICE CUBER ASSEMBLY								
INDEX NO.	DESCRIPTION	MATERIAL OR MODEL NUMBER	PART NUMBER	REQUIRED NUMBER				
				J-0	K-0	L-0		
B	REFRIGERATION CIRCUIT	-	1A0464A01	1	1	1		
C	WATER CIRCUIT	-	1A0094A04	1	1	1		
D	CONTROL BOX ASSEMBLY	-	2A1081A02	1	1	1		
	T2 SCREW	4X8	7P31-0408	3	3	3		
E	LABEL LOCATION	-	2A1654A01	1	1	1		
1	EVAP. CASE	-	105124G07	1	1	1		
2	CONTROL BOX COVER	GS	3A0174-01	1	1	1		
	T2 SCREW	4X8	7P31-0408	1	1	1		
3	FRAME (F)	GS	324093-01	1	1	1		
	T2 SCREW	4X8	7P31-0408	4	4	4		
4	SQUARE WASHER	BRASS	433537-02	2	2			
5	SCREW - GROUNDING	BRASS	433304-02	2	2	2		
6	BUSHING	SR-34-2	420472-05	1	1	1		
7	JUNCTION BOX COVER	GS	433410-01	2	2	2		
	T2 SCREW	4X8	7P31-0408	2	2	2		
8	SPACER	PE	443545-01	2	2	2		
9	CAPILLARY RING	EPDM	425307-01	1	1	1		
10	TOP PANEL	(323836A01) , SS	212687-01	1	1	1		
11	GASKET	PVC	427014-04	3	3	3		
12	WIRE SADDLE	VWS4274-C	4A0338-03	5	5	5		
13	TOP INSULATION	ABS, PE	322714G01	1	1	1		
14	FRONT INSULATION	ABS,PE	322711G01	1	1	1		
15	SIDE PANEL (R)	SS	212688G01	1	1	1		
16	FRONT PANEL	SS	212686-01	1	1	1		
17	WIRE SADDLE	VWS4218-C	4A0338-01	1	1	1		
18	BARRIER	GS	3A0235-01	1	1	1		
19	WIRE SADDLE	VWS42105-C	4A0338-04	1	1	1		







Detail A

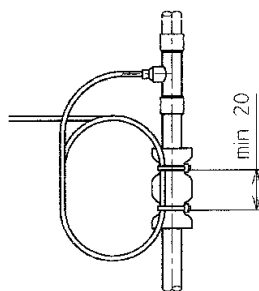
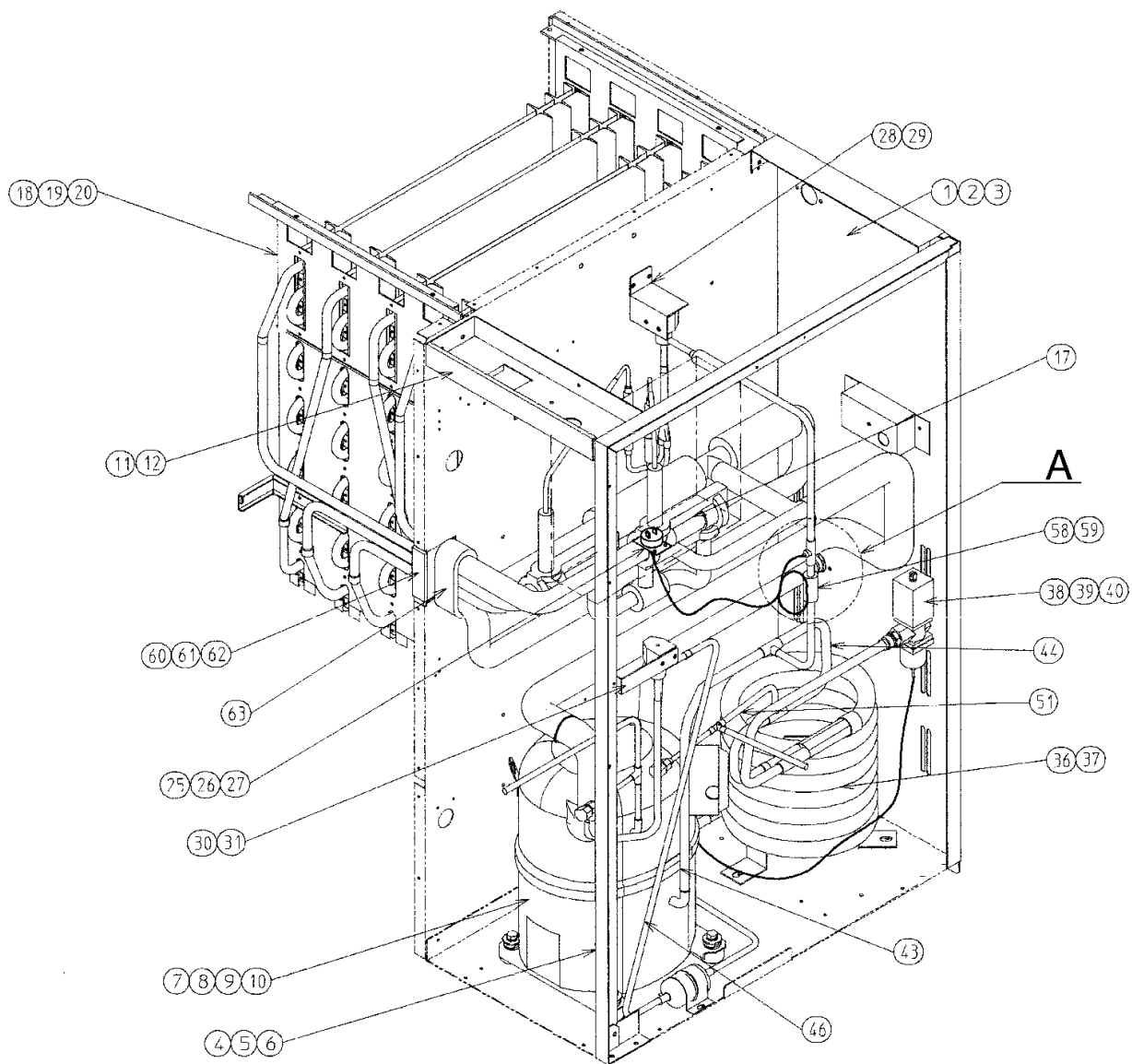


Detailed Thermistor Attachment

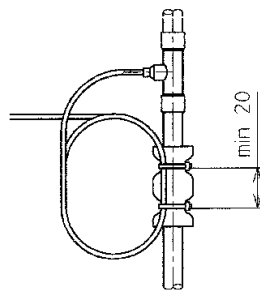
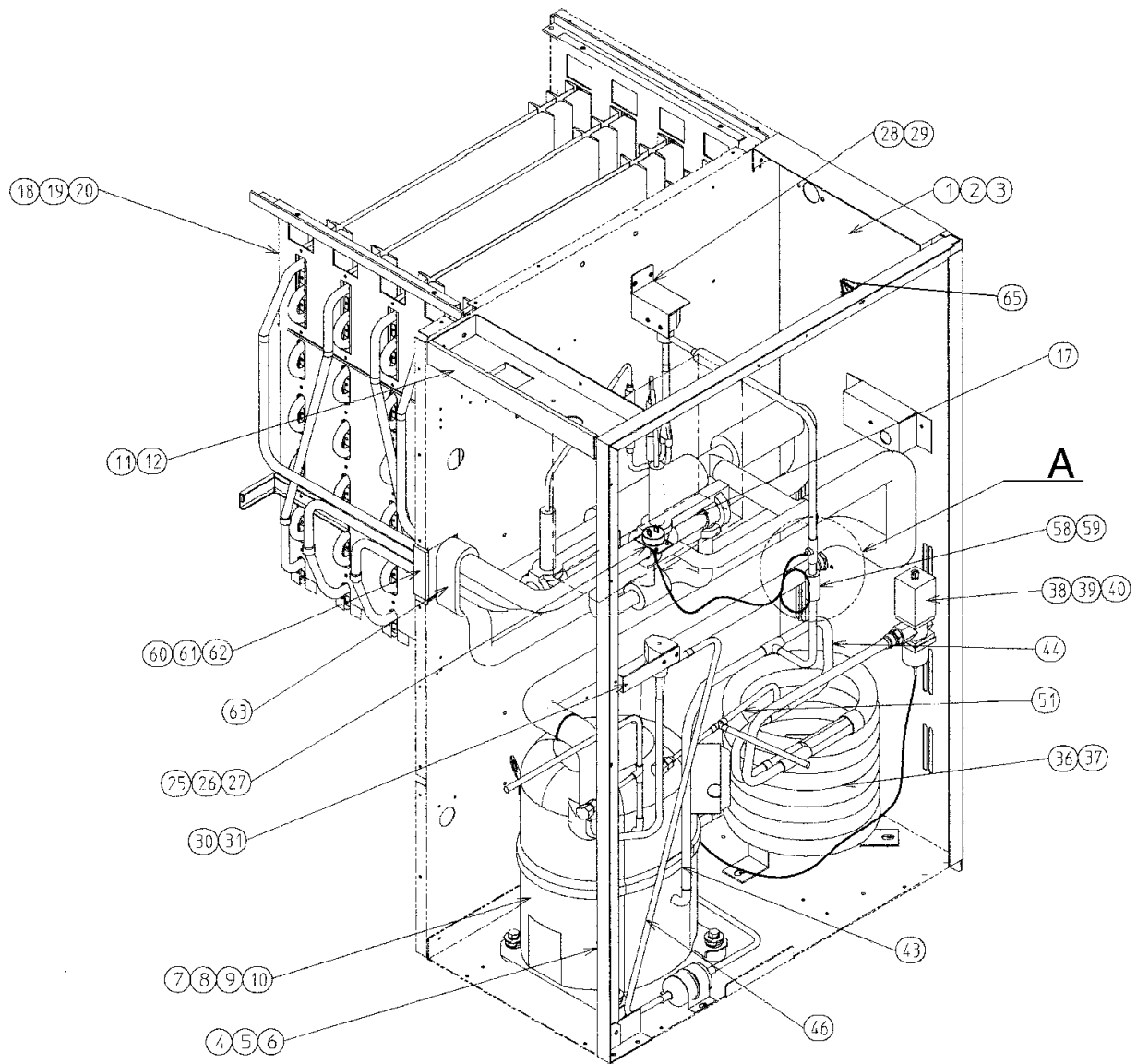
MODEL: KM-1300MAF TITLE: B. REFRIGERATION CIRCUIT								
INDEX NO.	DESCRIPTION	MATERIAL OR MODEL NUMBER	PART NUMBER	REQUIRED NUMBER				
				J-0	K-0	L-0		
1	CONDENSER	-	212589-01	1	1	1		
2	T2 SCREW	4X8	7P31-0408	4	4	4		
3	SHROUD	GS	212666G07	1	1	1		
4	T2 SCREW	4X8	7P31-0408	4	4	4		
5	TRUSS HEAD SCREW	5X8	7C31-05008	1	1	1		
6	COMPRESSOR	CS14K6E-PFV	4A1412-01	1	1	1		
7	BOLT	8x45	437889-01	4	4	4		
8	GROMMET	027-0167-00	434922-01	4	4	4		
9	SPACER	028-0188-02	434921-01	4	4	4		
10	FAN MOTOR BRACKET	GS	2A0181-01	2	2	2		
11	HEX HEAD BOLT W/WASHER (LF)	5X10	7B0230510	8	8	8		
12	FRAME (C)		3A0347-01	1	1	1		
13	T2 SCREW	4X8	7P31-0408	2	2	2		
14	FAN MOTOR	U90B1, 7190-1031	440911-01	2	2	2		
15	SELF-LOCKING NUT	No. 8-32	7N21I0832	8	8	8		
16	CAPACITOR	5MFD, 250V	443192-02	2	2	2		
17	T2 SCREW	4X8	7P31-0408	2	2	2		
18	FAN BLADE	AD10CW32	444898-01	2	2	2		
19	DRIER	CW-0325-S	4A1413-01	1	1	1		
20	ENDCAP		4A1413F01	2	2	2		
21	DRIER BRACKET		4A0807-01	1	1	1		
22	T2 SCREW	4X8	7P31-0408	2	2	2		
23	EXPANSION VALVE	HFE-10NHD-2	4A1414-01	2	2	2		
24	EXP. VALVE COVER	PE FOAM	3A0944-01	2	2	2		
25	EVAPORATOR	-	104442G01	1	1	1		
26	TRUSS HEAD SCREW	SS, 4X8	7C32-0408	4	4	4		
27	T2 SCREW	SS, 4X8	7P31-0408	2	2	2		

MODEL: KM-1300MAF TITLE: B. REFRIGERATION CIRCUIT								
INDEX NO.	DESCRIPTION	MATERIAL OR MODEL NUMBER	PART NUMBER	REQUIRED NUMBER				
				J-0	K-0	L-0		
28	THERMISTOR	-	429006-03	1	1	1		
29	HOLDER - THERMISTOR	COPPER	438247-01	1	1	1		
30	INSULATION - THERMISTOR	PE FOAM	427441-01	1	1	1		
31	TIE	CV-200	7920-0010	3	3	3		
32	BARRIER (B)	GS	435056-01	1	1	1		
33	T2 SCREW	4X8	7P31-0408	3	3	3		
34	FRAME		3A0350G01	1	1	1		
35	FT SCREW	SS, 4X8	7F32-0408	4	4	4		
36	T2 SCREW	4X8	7P31-0408	2	2	2		
37	PRESSURE SWITCH	ACB-1UB09	433441-07	1	1	1		
38	PRESSURE SWITCH BRACKET	GS	434938-01	1	1	1		
39	T2 SCREW	4X8	7P31-0408	1	1	1		
40	HOT GAS VALVE BRACKET	GS	444816-01	1	1	1		
41	T2 SCREW	4X8	7P31-0408	2	2	2		
42	LINE VALVE BRACKET	GS	4A1544-01	1	1	1		
43	T2 SCREW	4X8	7P31-0408	2	2	2		
44	VALVE BODY	70	440352-01	2	2	2		
45	COIL - VALVE	ABS-25-1-HD-2	440353-01	2	2	2		
46	BOLT	4x6	440353F01	2	2	2		
47	TRUSS HEAD SCREW	4X8	7C31-0408	4	4	4		
48	COPPER TUBE (A) – HIGH SIDE	COPPER	2A1663G01	1	1	1		
49	COPPER TUBE (B) – HIGH SIDE	COPPER	2A1665G01	1	1	1		
50	COPPER TUBE (C) – HIGH SIDE	COPPER	3A1491-01	1	1	1		
51	COPPER TUBE – LINE VALVE	COPPER	4A1994-01	1	1	1		
52	HEAT EXCHANGER	-	1A0479G01	1	1	1		
53	COPPER TUBE (L) – LOW SIDE	COPPER	2A1666G01	1	1	1		
54	COPPER TUBE (R) – LOW SIDE	COPPER	2A1667G01	1	1	1		

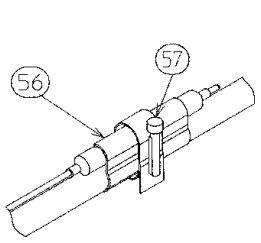
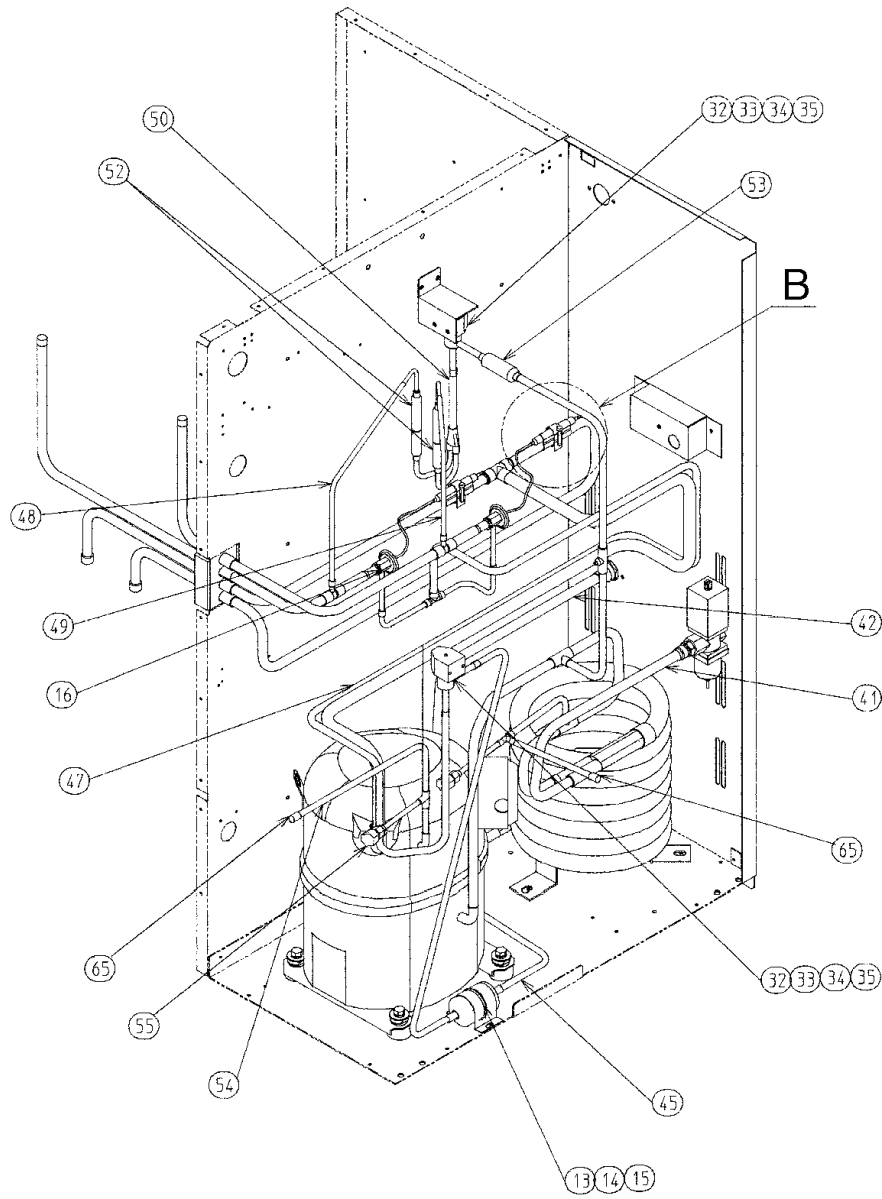
MODEL: KM-1300MAF TITLE: B. REFRIGERATION CIRCUIT								
INDEX NO.	DESCRIPTION	MATERIAL OR MODEL NUMBER	PART NUMBER	REQUIRED NUMBER				
				J-0	K-0	L-0		
55	COPPER TUBE - HOT GAS	COPPER	3A0213G01	1	1	1		
56	CHECK VALVE	SKC 30564	4A1373-01	2	2	2		
57	STRAINER		441569-02	1	1	1		
58	COPPER TUBE – ACCESS VALVE	COPPER	3A1518G01	1	1	1		
59	ACCESS VALVE	-	446715-01	2	x2	x2		
		-	457729-01			o2		
60	HOLDER/EXP. VALVE – 3/8		3A0107-01	2	2	2		
61	CLAMP		443461-02	2	2	2		
62	CABLE TIE	CV-200	7920-0010	12	12	12		
63	INSULATED RUBBER TUBE		323975G01	1	1	1		
64	INSULATION HOLDER		3A0979-01	1	1	1		
65	T2 SCREW	SS, 4X8	7P32-0408	2	2	2		
66	INSULATION		436671-01	1	1	1		
67	INSULATION TUBE	L=40	7762-1020	1	1	1		
68	CLAMP	-	4A2338-01			2		



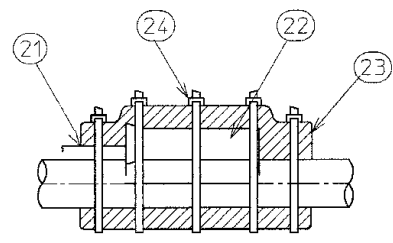
Detail A



Detail A



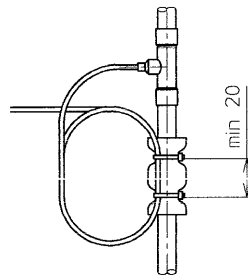
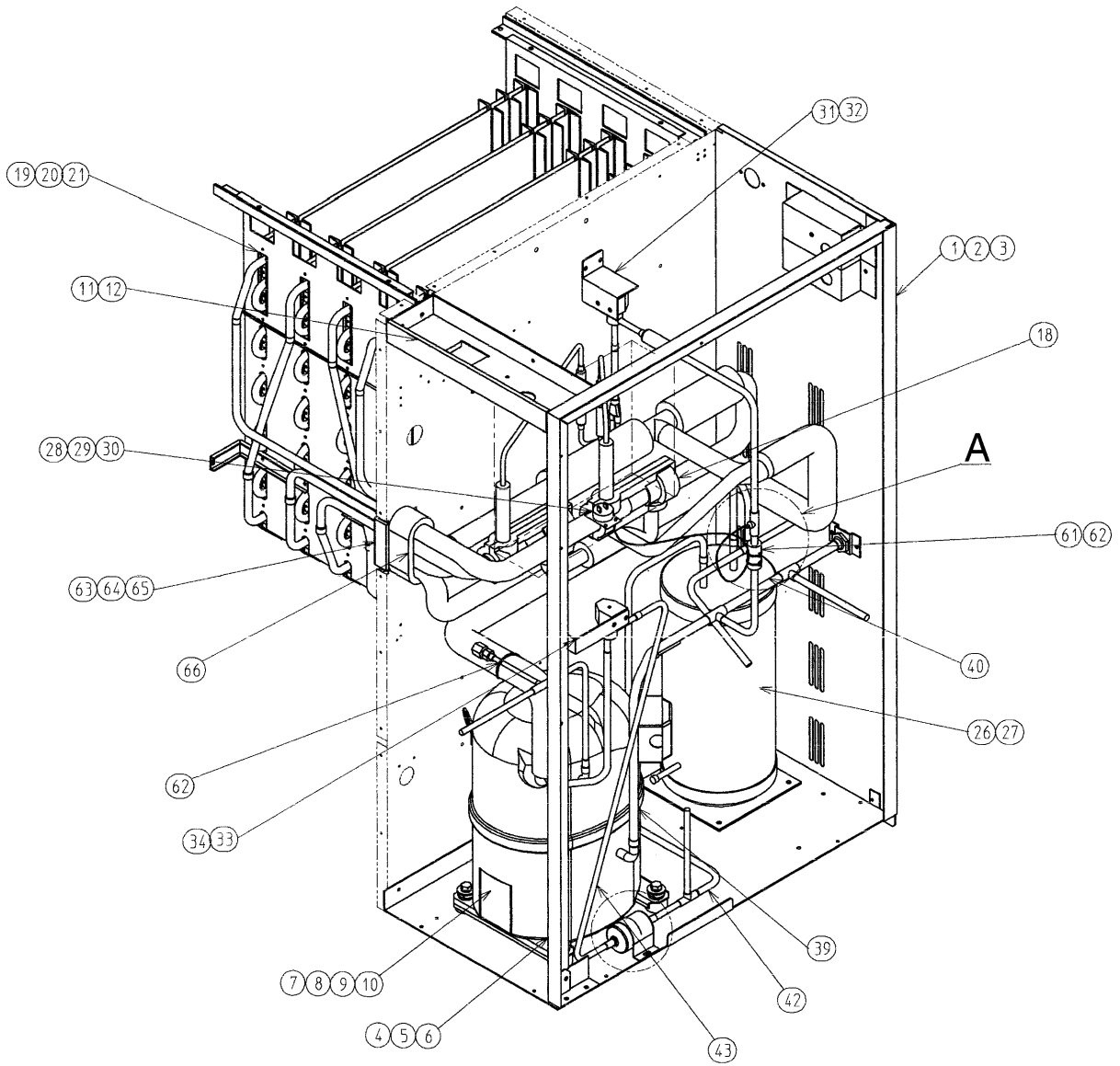
Detail B



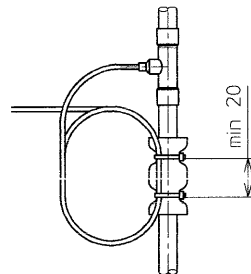
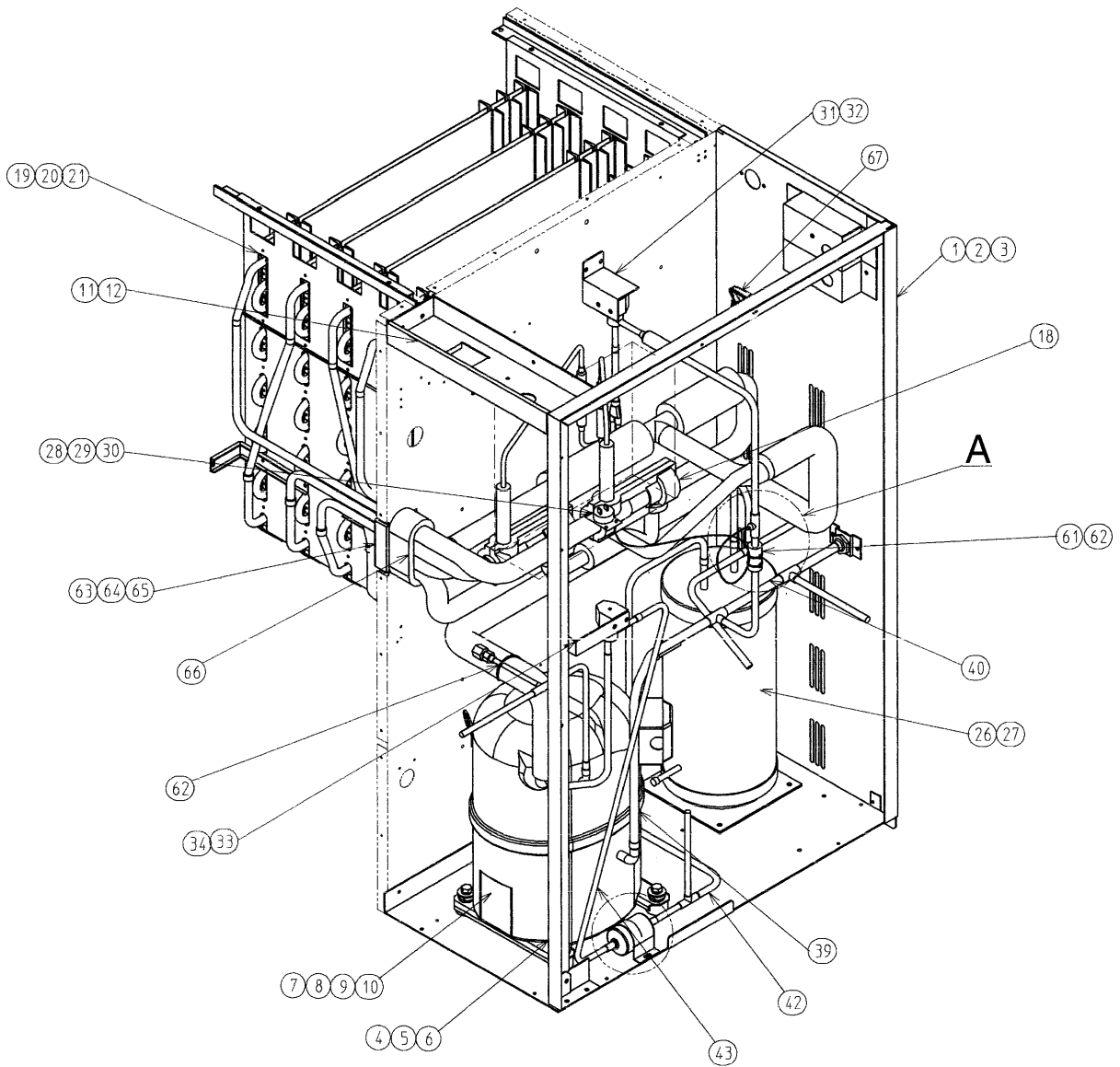
Detailed Thermistor Attachment

MODEL: KM-1300MWF TITLE: B. REFRIGERATION CIRCUIT								
INDEX NO.	DESCRIPTION	MATERIAL OR MODEL NUMBER	PART NUMBER	REQUIRED NUMBER				
				J-0	K-0	L-0		
1	REAR PANEL		3A1485G01	1	1	1		
2	FT SCREW	SS, 4X8	7F32-0408	2	2	2		
3	T2 SCREW	4X8	7P31-0408	5	5	5		
4	FRAME		3A0350G01	1	1	1		
5	FT SCREW	SS, 4X8	7F32-0408	4	4	4		
6	T2 SCREW	4X8	7P31-0408	2	2	2		
7	COMPRESSOR	CS14K6E-PFV	4A1412-01	1	1	1		
8	BOLT	8x45	437889-01	4	4	4		
9	GROMMET	027-0167-00	434922-01	4	4	4		
10	SPACER	028-0188-02	434921-01	4	4	4		
11	FRAME (C)		3A0347-01	1	1	1		
12	T2 SCREW	4X8	7P31-0408	2	2	2		
13	DRIER	CW-0325-S	4A1413-01	1	1	1		
14	DRIER BRACKET		4A0807-01	1	1	1		
15	T2 SCREW	4X8	7P31-0408	2	2	2		
16	EXPANSION VALVE	HFE-10NHD-2	4A1414-01	2	2	2		
17	EXP. VALVE COVER	PE FOAM	3A0944-01	1	1	1		
18	EVAPORATOR	-	104442G01	1	1	1		
19	TRUSS HEAD SCREW	SS, 4X8	7C32-0408	4	4	4		
20	T2 SCREW	SS, 4X8	7P31-0408	2	2	2		
21	THERMISTOR	-	429006-03	1	1	1		
22	HOLDER - THERMISTOR	COPPER	438247-01	1	1	1		
23	INSULATION - THERMISTOR	PE FOAM	427441-01	1	1	1		
24	CABLE TIE	CV-200	7920-0010	3	3	3		
25	PRESSURE SWITCH	ACB-2UB04	433441-05	1	1	1		
26	PRESSURE SWITCH BRACKET	GS	434938-01	1	1	1		
27	T2 SCREW	4X8	7P31-0408	1	1	1		
28	HOT GAS VALVE BRACKET	GS	444816-01	1	1	1		
29	T2 SCREW	4X8	7P31-0408	2	2	2		

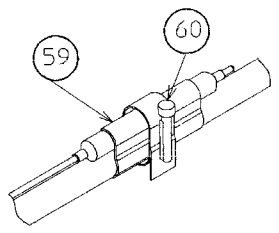
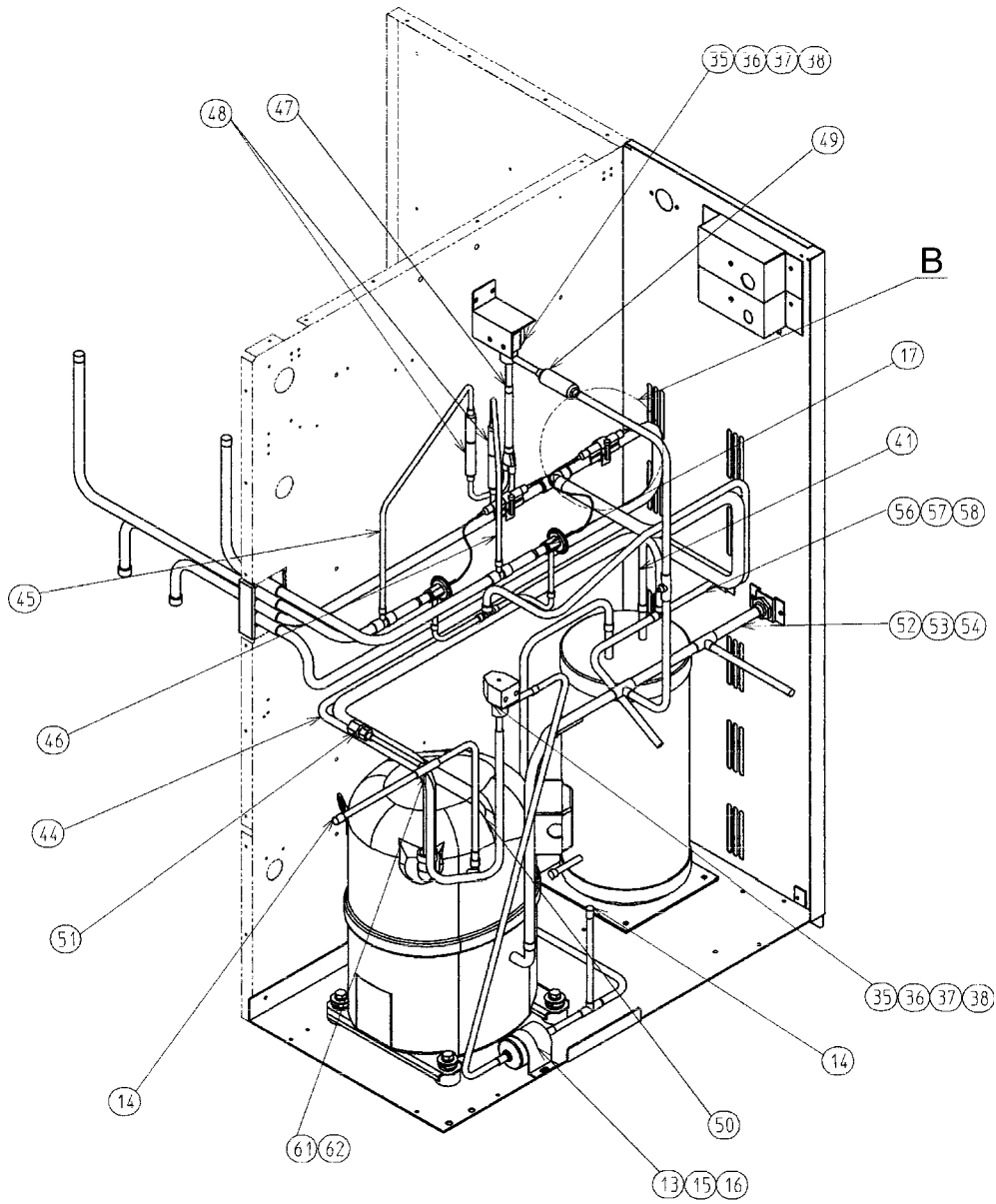
MODEL: KM-1300MMF TITLE: B. REFRIGERATION CIRCUIT								
INDEX NO.	DESCRIPTION	MATERIAL OR MODEL NUMBER	PART NUMBER	REQUIRED NUMBER				
				J-0	K-0	L-0		
30	LINE VALVE BRACKET		4A1544-01	1	1	1		
31	T2 SCREW	4X8	7P31-0408	2	2	2		
32	VALVE BODY	70	440352-01	2	2	2		
33	COIL - VALVE	ABS-25-1-HD-2	440353-01	2	2	2		
34	BOLT		440353F01	2	2	2		
35	TRUSS HEAD SCREW	4X8	7C31-0408	4	4	4		
36	CONDENSER		4A1656-01	1	1	1		
37	HEX HEAD BOLT W/WASHER (LF)	5X12	7B0230512	3	3	3		
38	WATER REGULATOR	V46DA-3	4A0911-03	1	1	1		
39	TRUSS HEAD SCREW	4X6	7C31-0406	2	2	2		
40	MALE CONNECTOR		4A1087-01	1	1	1		
41	COPPER TUBE (A)	COPPER	4A1991G01	1	1	1		
42	COPPER TUBE (B)	COPPER	3A1473G01	1	1	1		
43	COPPER TUBE (A) – HIGH SIDE	COPPER	2A1692G01	1	1	1		
44	COPPER TUBE (B) – HIGH SIDE	COPPER	4A1993G01	1	1	1		
45	COPPER TUBE (C) – HIGH SIDE	COPPER	3A1475G01	1	1	1		
46	COPPER TUBE - LINE VALVE	COPPER	4A1994-01	1	1	1		
47	HEAT EXCHANGER		1A0475G01	1	1	1		
48	COPPER TUBE (L) - LOW SIDE	COPPER	2A1666G01	1	1	1		
49	COPPER TUBE (R) - LOW SIDE	COPPER	2A1666G01	1	1	1		
50	COPPER TUBE - HOT GAS	COPPER	3A0213G01	1	1	1		
51	COPPER TUBE (J)	COPPER	3A1482G01	1	1	1		
52	CHECK VALVE		4A1373-01	2	2	2		
53	STRAINER		441569-02	1	1	1		
54	COPPER TUBE – ACCESS VALVE	COPPER	3A1518G01	1	1	1		
55	ACCESS VALVE	-	446715-01	2	x2			
		-	457729-01		o2	2		



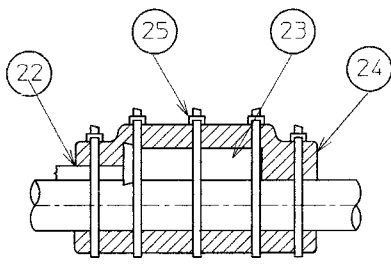
Detail A



Detail A



Detail B

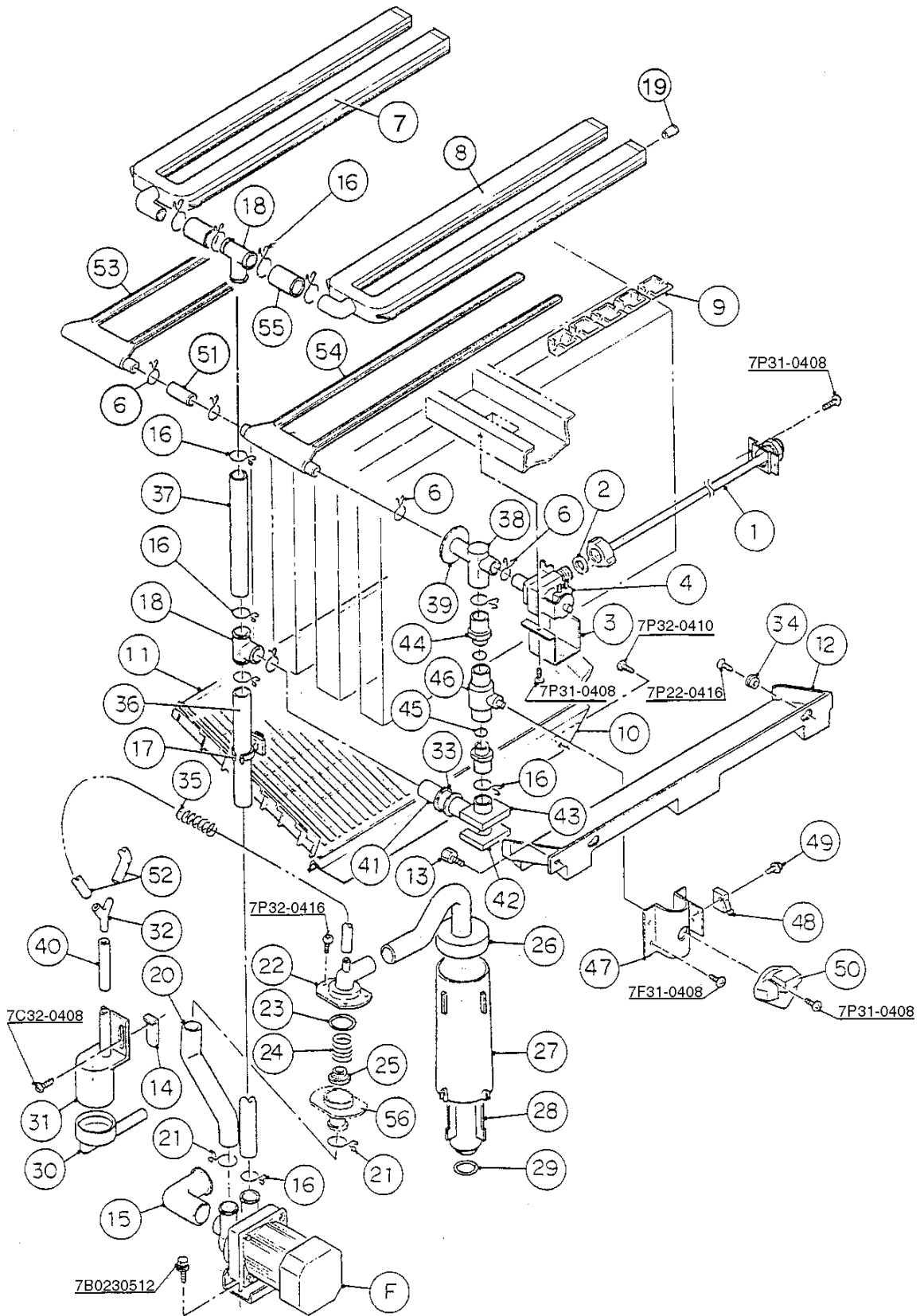


Detailed Thermistor Attachment

MODEL: KM-1300MRF TITLE: B. REFRIGERATION CIRCUIT								
INDEX NO.	DESCRIPTION	MATERIAL OR MODEL NUMBER	PART NUMBER	REQUIRED NUMBER				
				J-0	K-0	L-0		
1	REAR PANEL	-	222025G03	1	1	1		
2	FT SCREW	SS, 4X8	7F32-0408	2	2	2		
3	T2 SCREW	4X8	7P31-0408	5	5	5		
4	FRAME		3A0350G01	1	1	1		
5	FT SCREW	SS, 4X8	7F32-0408	4	4	4		
6	T2 SCREW	4X8	7P31-0408	2	2	2		
7	COMPRESSOR	CS14K6E-PFV	4A1412-02	1	1	1		
8	BOLT	8x45	437889-01	4	4	4		
9	GROMMET	027-0167-00	434922-01	4	4	4		
10	SPACER	028-0188-02	434921-01	4	4	4		
11	FRAME (C)		3A0347-01	1	1	1		
12	T2 SCREW	4X8	7P31-0408	2	2	2		
13	DRIER	CW-0325-S	4A1413-01	1	1	1		
14	ENDCAP		4A1413F01	2	2	2		
15	DRIER BRACKET		4A0807-01	1	1	1		
16	T2 SCREW	4X8	7P31-0408	2	2	2		
17	EXPANSION VALVE	HFE-10NHD-2	4A1414-01	2	2	2		
18	EXP. VALVE COVER	PE FOAM	3A0944-01	2	2	2		
19	EVAPORATOR	-	104442G01	1	1	1		
20	TRUSS HEAD SCREW	SS, 4X8	7C32-0408	4	4	4		
21	T2 SCREW	SS, 4X8	7P32-0408	2	2	2		
22	THERMISTOR	-	429006-03	1	1	1		
23	HOLDER - THERMISTOR	COPPER	438247-01	1	1	1		
24	INSULATION - THERMISTOR	PE FOAM	427441-01	1	1	1		
25	CABLE TIE	CV-200	7920-0010	3	3	3		
26	RECIEVER		437652-01	1	1	1		
27	HEX HEAD BOLT W/WASHER (LF)	5X10	7B0230510	3	3	3		

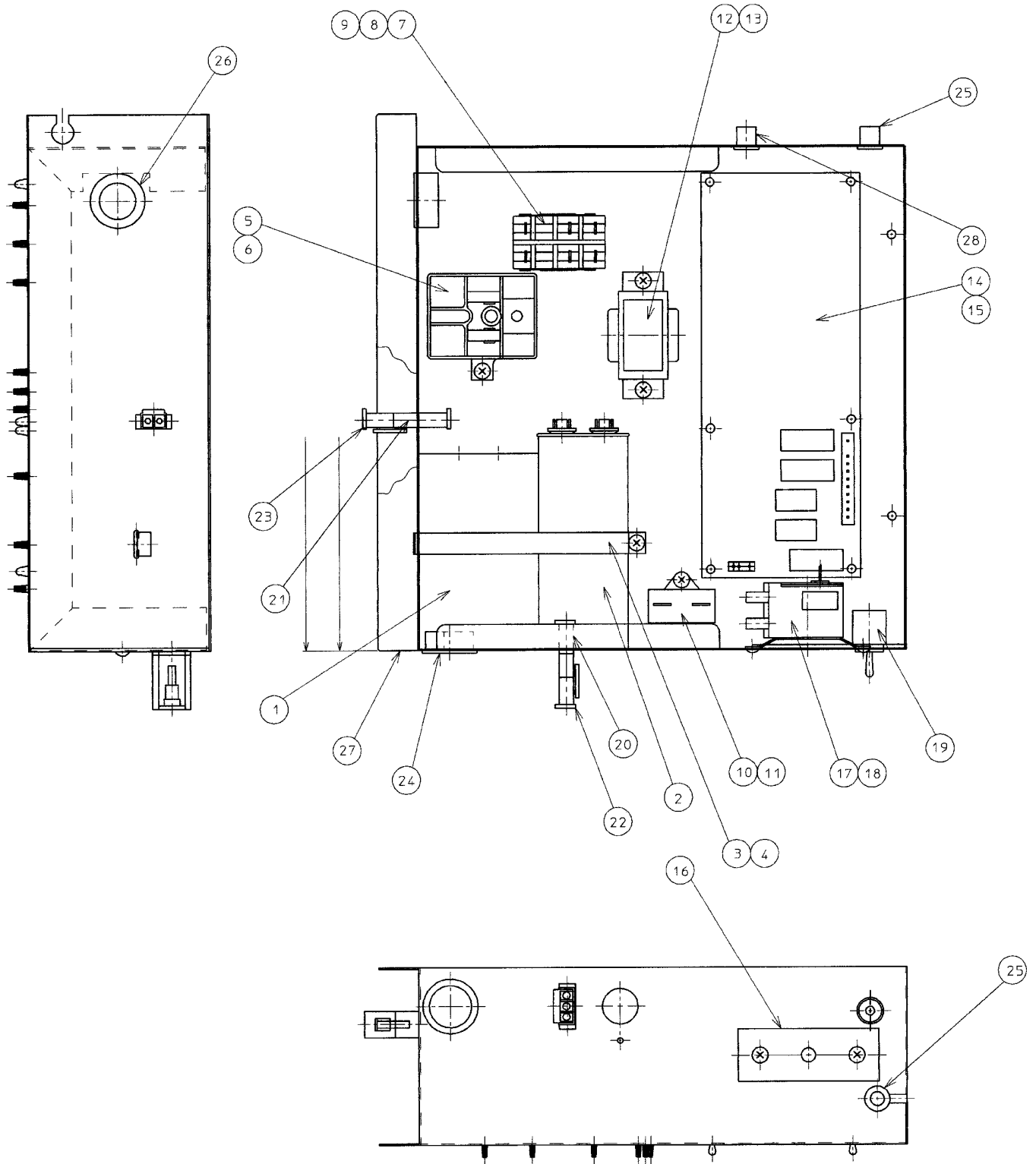
MODEL: KM-1300MRF TITLE: B. REFRIGERATION CIRCUIT								
INDEX NO.	DESCRIPTION	MATERIAL OR MODEL NUMBER	PART NUMBER	REQUIRED NUMBER				
				J-0	K-0	L-0		
28	PRESSURE SWITCH	ACB-1UB09	433441-07	1	1	1		
29	PRESSURE SWITCH BRACKET	GS	434938-01	1	1	1		
30	T2 SCREW	4X8	7P31-0408	1	1	1		
31	HOT GAS VALVE BRACKET	GS	444816-01	1	1	1		
32	T2 SCREW	4X8	7P31-0408	2	2	2		
33	LINE VALVE BRACKET	GS	4A1544-01	1	1	1		
34	T2 SCREW	4X8	7P31-0408	2	2	2		
35	VALVE BODY	70	440352-01	2	2	2		
36	COIL - VALVE	ABS-25-1-HD-2	440353-01	2	2	2		
37	BOLT	4x6	440353F01	2	2	2		
38	TRUSS HEAD SCREW	4X8	7C31-0408	4	4	4		
39	COPPER TUBE (A) – HIGH SIDE	COPPER	2A1692G01	1	1	1		
40	COPPER TUBE (B) – HIGH SIDE	COPPER	4A2030G01	1	1	1		
41	COPPER TUBE (D) – HIGH SIDE	COPPER	334095G01	1	-			
		COPPER	3A1603G01		1	1		
42	COPPER TUBE (E) – HIGH SIDE	COPPER	2A1672G01	1	1	1		
43	COPPER TUBE – LINE VALVE	COPPER	4A1994-01	1	1	1		
44	HEAT EXCHANGER	-	1A0475A01	1	1	1		
45	COPPER TUBE (L) – LOW SIDE	COPPER	2A1666G01	1	1	1		
46	COPPER TUBE (R) – LOW SIDE	COPPER	2A1667G01	1	1	1		
47	COPPER TUBE - HOT GAS	COPPER	3A0213G01	1	1	1		
48	CHECK VALVE	SKC 30564	4A1373-01	2	2	2		
49	STRAINER		441569-02	1	1	1		
50	COPPER TUBE – ACCESS VALVE	COPPER	3A1518G01	1	1	1		
51	ACCESS VALVE	-	446715-01	2	x2			
		-	457729-01		o2	2		
52	COUPLING		434136G01	1	1	1		
53	TUBE HOLDER - L		438245-01	1	1	1		
54	T2 SCREW	4X8	7P31-0408	2	2	2		

MODEL: KM-1300MRF TITLE: B. REFRIGERATION CIRCUIT								
INDEX NO.	DESCRIPTION	MATERIAL OR MODEL NUMBER	PART NUMBER	REQUIRED NUMBER				
				J-0	K-0	L-0		
55	-	-	-					
56	COUPLING		433751G01	1	1	1		
57	TUBE HOLDER - S		438246-01	1	1	1		
58	T2 SCREW	4X8	7P31-0408	2	2	2		
59	HOLDER/EXP. VALVE – 3/8		3A0107-01	2	2	2		
60	CLAMP		443461-02	2	2	2		
61	INSULATION TUBE	L=40	7762-1020	2	2	2		
62	CABLE TIE	CV-200	7920-0010	12	12	12		
63	INSULATED RUBBER TUBE		323975G01	1	1	1		
64	INSULATION HOLDER		3A0979-01	1	1	1		
65	T2 SCREW	SS, 4X8	7P32-0408	2	2	2		
66	INSULATION		436671-01	1	1	1		
67	CLAMP	-	4A2338-01			1		

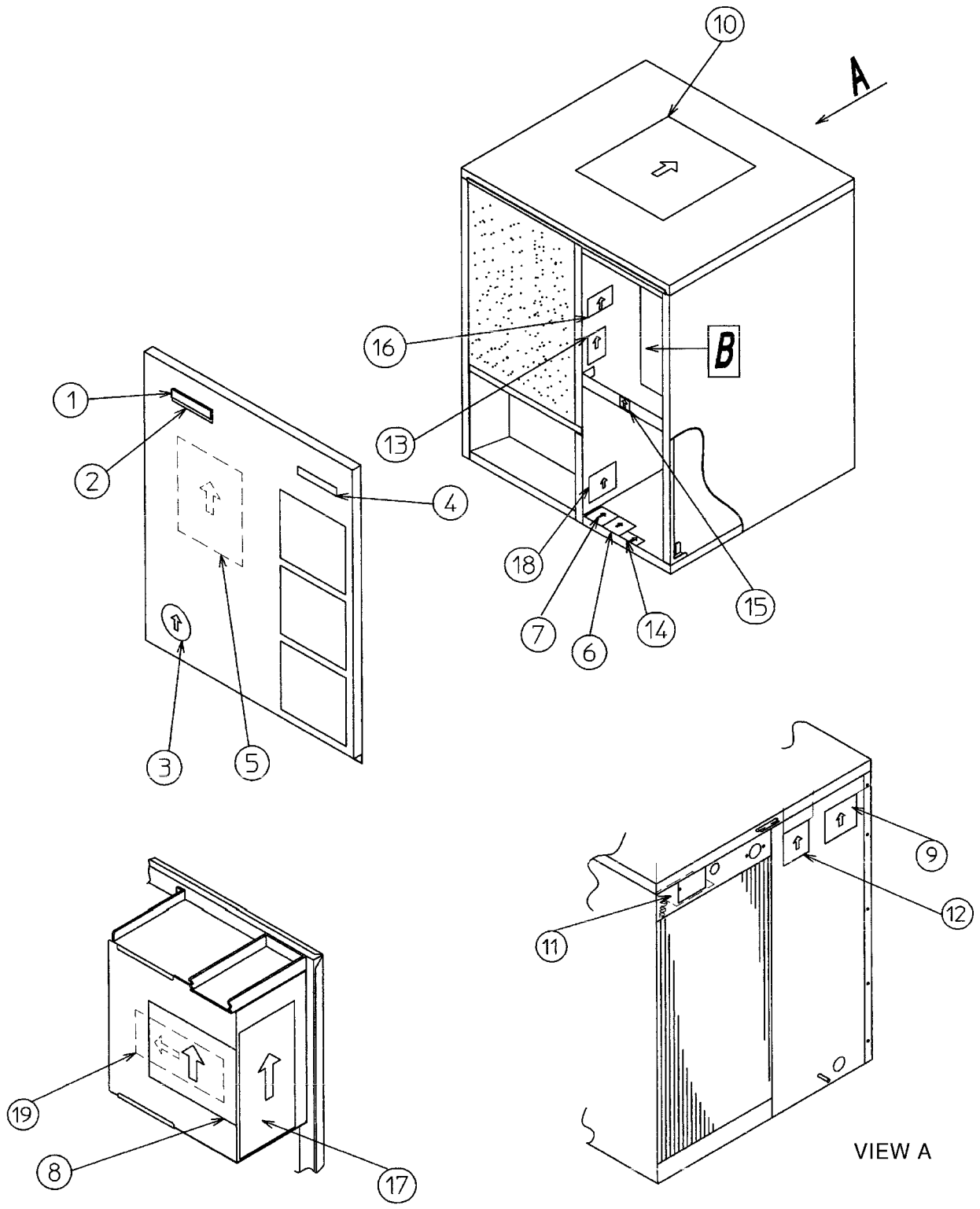


MODEL: KM-1300MAF, MWF, MRF TITLE: C. WATER CIRCUIT								
INDEX NO.	DESCRIPTION	MATERIAL OR MODEL NUMBER	PART NUMBER	REQUIRED NUMBER				
				J-0	K-0	L-0		
F	PUMP MOTOR ASSEMBLY	(S-0731)	215693A01	1	1	1		
	HEX HEAD BOLT W/WASHER (LF)	SS, 5X12	7B0230512	1	1	1		
1	WATER SUPPLY PIPE	COPPER	4A0768G01	1	1	1		
	T2 SCREW	4X8	7P31-0408	2	2	2		
2	RUBBER GASKET	NR	413854-03	1	1	1		
3	WATER VALVE BRACKET	GS	321443-01	1	1	1		
	T2 SCREW	4X8	7P31-0408	1	1	1		
4	WATER VALVE	J248-030	3U0111-01	1	1	1		
5	-	-	-					
6	HOSE CLAMP	SS, 18MM	427443-05	4	4	4		
7	SPRAY TUBE	PE	1A0260-02	1	1	1		
8	SPRAY TUBE	PE	1A0260-01	1	1	1		
9	SPRAY GUIDE (A)	PE	208586-01	12	12	12		
10	PLATE	SS	3A0133-01	1	1	1		
	T2 SCREW	SS, 4X10	7P32-0410	4	4	4		
11	CUBE GUIDE (A)	SS	214905-01	1	1	1		
12	CUBE GUIDE (B)	ABS	322644-02	1	1	1		
13	THUMBSCREW	ABS, SS	415949G01	1	1	1		
14	FLOAT SWITCH STOP	SS	4A0137-01	1	1	1		
15	HOSE (A)	EPDM	435091-01	1	1	1		
16	HOSE CLAMP	SS, 25MM	427443-03	11	11	11		
17	HOLDER	PP	322692-01	1	1	1		
18	DISTRIBUTOR	ABS	432426-01	2	2	2		
19	PLUG	EPDM	4A0176-01	4	4	4		
20	DRAIN HOSE	EPDM	435092-01	1	1	1		
21	HOSE CLAMP	SS, 27MM	427443-08	2	2	2		
22	DRAIN VALVE (B)	ABS	3A1170-01	1	1	1		

MODEL: KM-1300MAF, MWF, MRF TITLE: C. WATER CIRCUIT								
INDEX NO.	DESCRIPTION	MATERIAL OR MODEL NUMBER	PART NUMBER	REQUIRED NUMBER				
				J-0	K-0	L-0		
23	"O" RING	1AG35	7611-G035	1	1	1		
24	SPRING	SS	322685-01	1	1	1		
25	VALVE SHEET	EPDM	433705-01	1	1	1		
	T2 SCREW	SS, 4X16	7P32-0416	3	3	3		
26	HOSE (C)	EPDM	326655-01	1	1	1		
27	OVERFLOW CAP	ABS	322816-01	1	1	1		
28	OVERFLOW PIPE	ABS	322691-01	1	1	1		
29	"O" RING	-	4A1234-01	1	1	1		
30	CONNECTOR - FLOAT SWITCH	EPDM	3A1325-01	1	1	x1		
		-	426799-01			o1		
31	FLOAT SWITCH	163790	4A0886-02	1	1	1		
	TRUSS HEAD SCREW	SS, 4X8	7C32-0408	2	2	2		
32	CONNECTOR	ABS	432763-01	1	1	1		
33	RUBBER RING	TSE2571-5U	439236-01	1	1	1		
34	COLLAR	ABS	435269-01	2	2	2		
	T2 FLAT HEAD SCREW	SS, 4X16	7P22-0416	2	2	2		
35	SPRING	SS	435825-01	1	1	1		
36	VINYL HOSE	L=670	7716-2025	1	1	1		
37	VINYL HOSE	L=190	7716-2025	1	1	1		
38	TEE	EPDM	4A0177-01	1	1	1		
39	FLANGE	EPDM	439267-01	1	1	1		
40	SILICONE HOSE	L=80	773013812	1	1	1		
41	BYPASS HOSE	EPDM	439265-01	1	1	1		
42	CORNER INSULATION (A)	PE FOAM	439376-01	1	1	1		
43	CORNER INSULATION (B)	PE FOAM	439392-01	1	1	1		
44	MALE ADAPTOR	(442137A01)	325826-01	2	2	2		
45	"O" RING		7611-P018	2	2	2		
46	BALL VALVE		439293-01	1	1	1		
47	VALVE HOLDER	GS	3A1178-01	1	1	1		
	FT SCREW	4X8	7F31-0408	3	3	3		

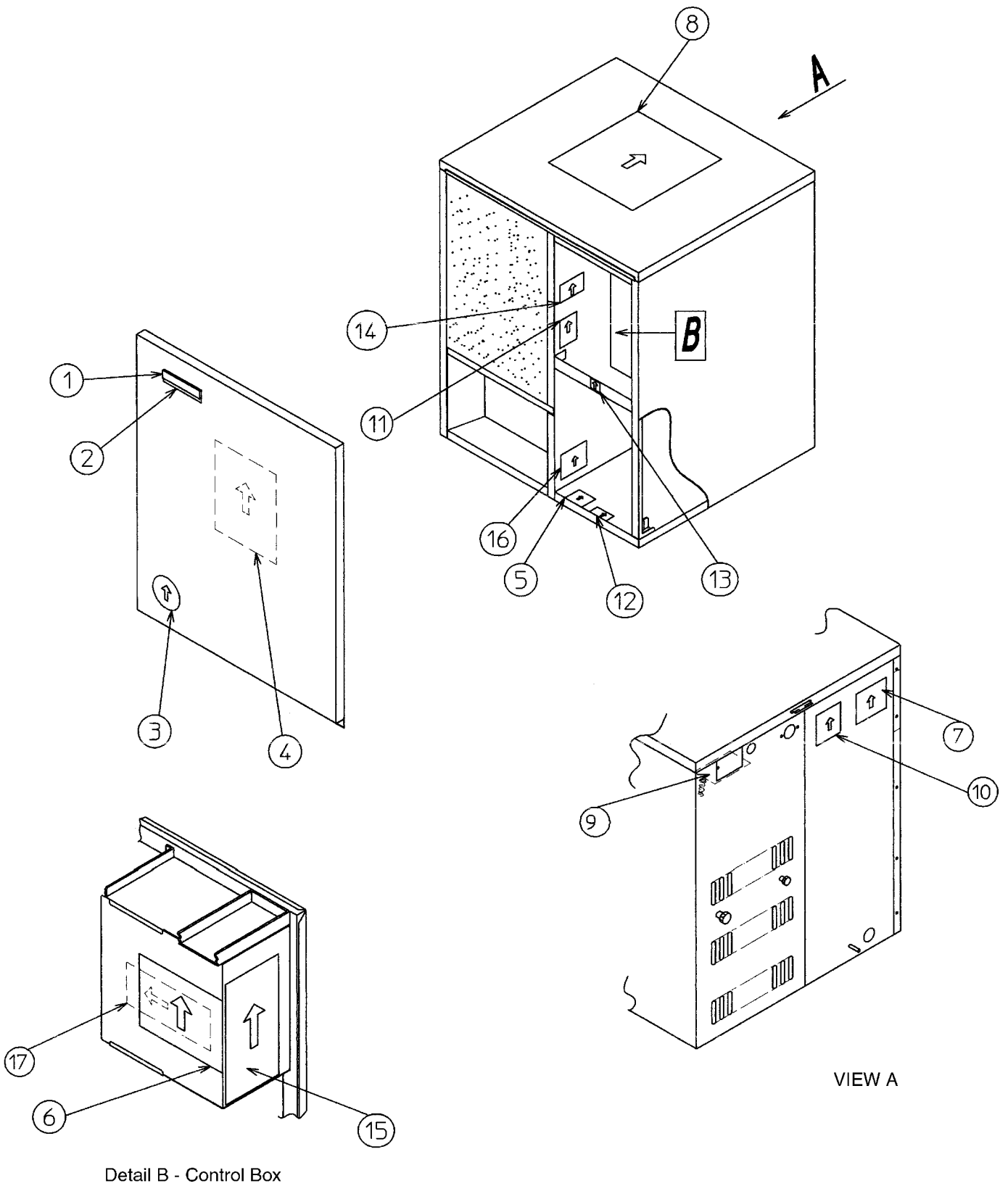


MODEL: KM-1300MAF, MWF, MRF TITLE: D. CONTROL BOX ASSEMBLY								
INDEX NO.	DESCRIPTION	MATERIAL OR MODEL NUMBER	PART NUMBER	REQUIRED NUMBER				
				J-0	K-0	L-0		
1	CAPACITOR - STARTING	145-174MFD, 250V	3A0076-01	1	1	1		
2	CAPACITOR	35MFD, 370V	439943-01	1	1	1		
3	STRAP	GS	434580-04	1	1	1		
4	T2 SCREW	4X8	7P31-0408	1	1	1		
5	STARTER	040-0001-20	434923-01	1	1	x1		
		3ARRA3CT10S5	4A1107-09			o1		
6	T2 SCREW	4X8	7P31-0408	1	1	1		
7	MAGNETIC CONTACTOR	VC20	428393-01	1	1	1		
8	BRACKET	BW9154	428393F01	1	1	1		
9	T2 SCREW	4X8	7P31-0408	2	2	2		
10	CAPACITOR	10MFD, 250V	443192-01	1	1	1		
11	T2 SCREW	4X10	7P31-0410	1	1	1		
12	TRANSFORMER	26D285H	3A0172-01	1	1	1		
13	T2 SCREW	4X8	7P31-0408	2	2	2		
14	CONTROLLER BOARD		2A1410-01	1	1	1		
15	BOARD SUPPORT	CBLS37-M	4A0336-03	4	4	4		
16	CONTROL LABEL		4A1758-01	1	1	1		
17	THERMOSTAT	A30-3842-00	4A0824-02	1	1	1		
18	TRUSS HEAD SCREW	4X6	7C31-0406	2	2	2		
19	TOGGLE SWITCH	8966K84	443119-01	1	1	1		
20	3P PLUG HOUSING	3191-03P	412832-06	1	1	1		
21	2P PLUG HOUSING	3191-02P (RED)	412832-09	1	1	1		
22	3P RECEPTACLE HOUSING	3191-03R1	412831-06	1	1	1		
23	2P RECEPTACLE HOUSING	3191-02R1 (RED)	412831-09	1	1	1		
24	BUSHING	SB-1093-15	420470-03	1	1	1		
25	BUSHING	OCB-500	428394-02	2	2	2		
26	BUSHING	SB-1093-13	420470-12	1	1	1		
27	CONTROL BOX	GS	2A1082G01	1	1	1		
28	BUSHING	OCB-875	428394-04	1	1	1		

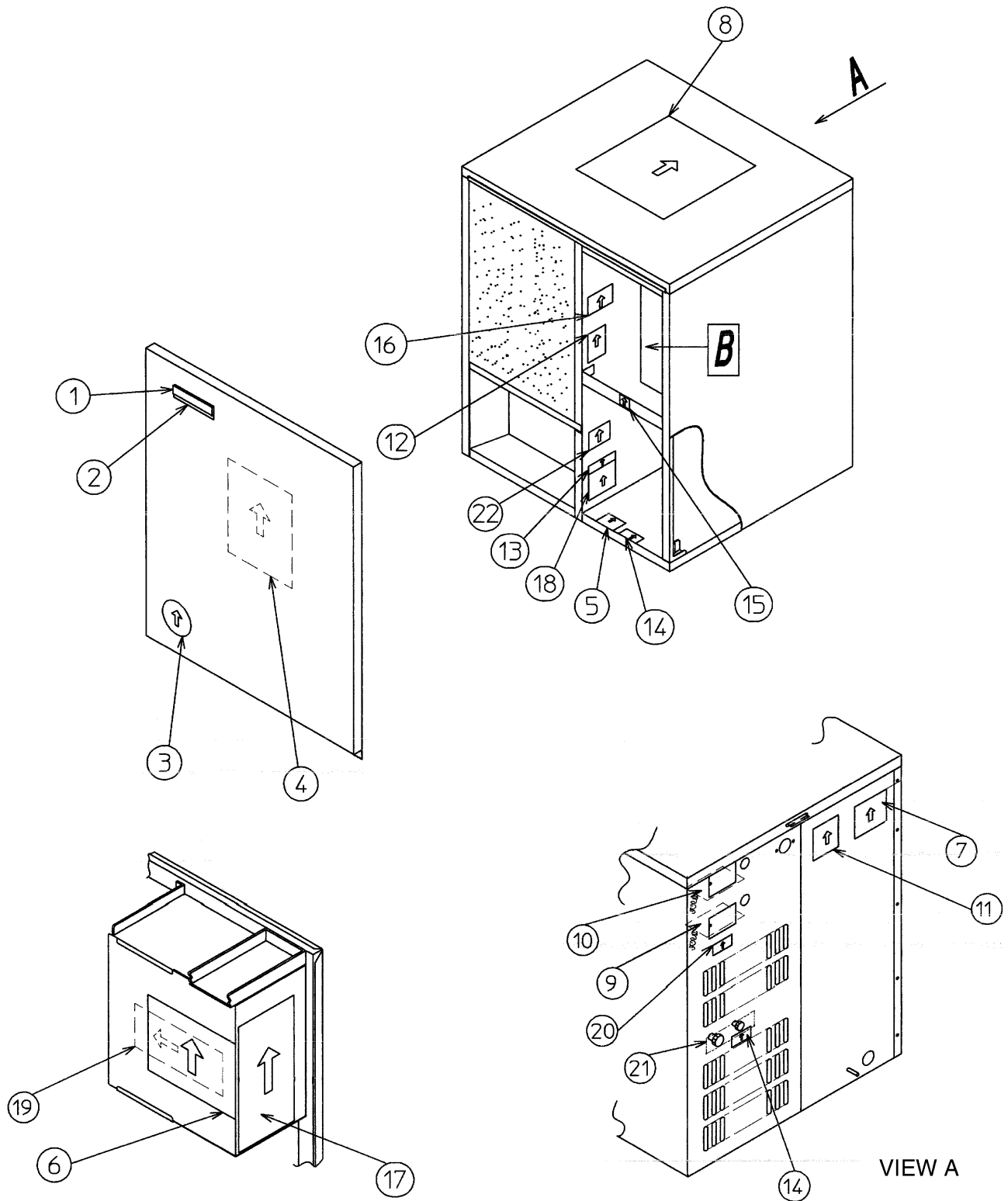


Detail B - Control Box

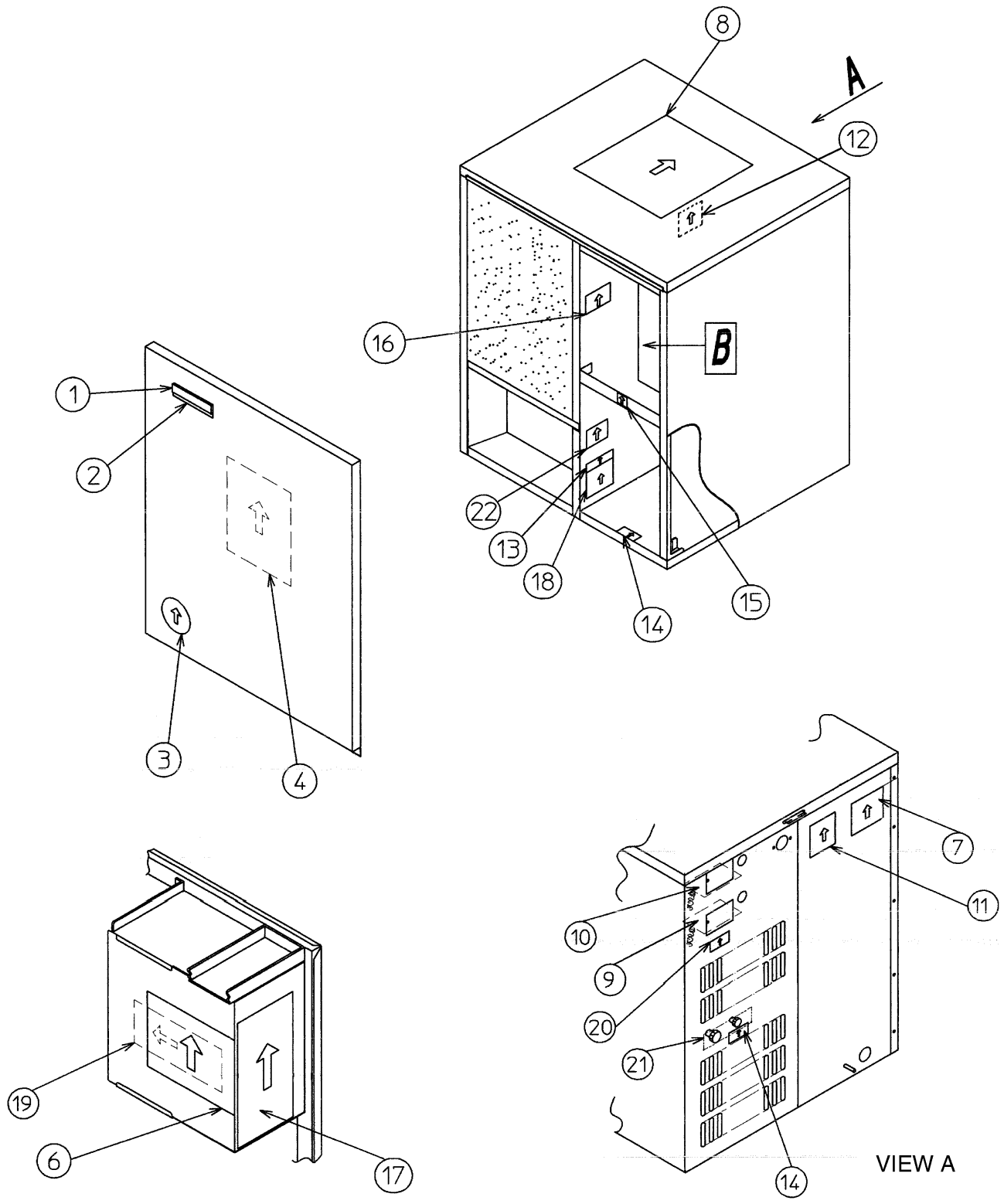
MODEL: KM-1300MAF TITLE: E. LABEL LOCATION								
INDEX NO.	DESCRIPTION	MATERIAL OR MODEL NUMBER	PART NUMBER	REQUIRED NUMBER				
				J-0	K-0	L-0		
1	EMBLEM	-	4A0560-01	1	1	1		
2	MODEL NUMBER LABEL	PETP FILM	4A1233-53	1	1	1		
3	LABEL - PENGUIN (R)	PETP FILM	4A0526-01	1	1	1		
4	LABEL - AIR FILTER	PETP FILM	426177-01	1	1	1		
5	MAINTENANCE LABEL	PVC FILM	325975-01	1	1	1		
6	CAUTION LABEL (F)	PVC FILM	439146-01	1	1	1		
7	CAUTION LABEL (K)	PVC FILM	439150-01	1	1	1		
8	WIRING LABEL	PVC FILM	3A1483-01	1	1	1		
9	NAMEPLATE	PES FILM	4A2000-01	1	1	1		
10	INSTRUCTION SHEET	PAPER	2A1137-01	1	1	1		
11	TAG - WARNING: ELECTRICAL CONNECTION	PAPER	428430-01	1	1	1		
12	INSTRUCTION LABEL	PVC FILM	444575-01	1	1	1		
13	MANUAL LABEL - BIN CONTROL	PVC FILM	322846-01	1	1	1		
14	LABEL - R404A	PES FILM	4A0960-01	1	1	1		
15	CAUTION LABEL	PVC FILM	436198-01	1	1	1		
16	OPERATION LABEL - VALVE	PVC FILM	439541-01	1	1	1		
17	MANUAL LABEL	PVC FILM	324476-01	1	1	1		
18	RATING LABEL	-	4A2003-01	1	1	1		
19	LABEL - CONTROL BOARD	-	3A1272-01	1	1	1		



MODEL: KM-1300MWF TITLE: E. LABEL LOCATION								
INDEX NO.	DESCRIPTION	MATERIAL OR MODEL NUMBER	PART NUMBER	REQUIRED NUMBER				
				J-0	K-0	L-0		
1	EMBLEM	-	4A0560-01	1	1	1		
2	MODEL NUMBER LABEL	PETP FILM	4A1233-54	1	1	1		
3	LABEL - PENGUIN (R)	PETP FILM	4A0526-01	1	1	1		
4	MAINTENANCE LABEL	PVC FILM	325975-01	1	1	1		
5	CAUTION LABEL (F)	PVC FILM	439150-01	1	1	1		
6	CAUTION LABEL (K)	PVC FILM	439150-01	1	1	1		
7	WIRING LABEL	PVC FILM	3A1483-01	1	1	1		
8	NAMEPLATE	PES FILM	4A2001-01	1	1	1		
9	INSTRUCTION SHEET	PAPER	2A1137-01	1	1	1		
10	TAG - WARNING: ELECTRICAL CONNECTION	PAPER	428430-01	1	1	1		
11	INSTRUCTION LABEL	PVC FILM	444575-01	1	1	1		
12	MANUAL LABEL - BIN CONTROL	PVC FILM	322846-01	1	1	1		
13	LABEL - R404A	PES FILM	4A0960-01	1	1	1		
14	CAUTION LABEL	PVC FILM	436198-01	1	1	1		
15	OPERATION LABEL - VALVE	PVC FILM	439541-01	1	1	1		
16	MANUAL LABEL	PVC FILM	324476-01	1	1	1		
17	RATING LABEL	-	4A2004-01	1	1	1		
18	LABEL - CONTROL BOARD	-	3A1272-01	1	1	1		



Detail B - Control Box



Detail B - Control Box

VIEW A

MODEL: KM-1300MRF TITLE: E. LABEL LOCATION								
INDEX NO.	DESCRIPTION	MATERIAL OR MODEL NUMBER	PART NUMBER	REQUIRED NUMBER				
				J-0	K-0	L-0		
1	EMBLEM	-	4A0560-01	1	1	1		
2	MODEL NUMBER LABEL	PETP FILM	4A1233-55	1	1	1		
3	LABEL - PENGUIN (R)	PETP FILM	4A0526-01	1	1	1		
4	MAINTENANCE LABEL	PVC FILM	325975-01	1	1	1		
5	CAUTION LABEL (K)	PVC FILM	439150-01	1	1	-		
6	WIRING LABEL	PVC FILM	3A0967-01	1	1	1		
7	NAMEPLATE	PES FILM	4A2002-01	1	1	1		
8	INSTRUCTION SHEET	PAPER	2A1137-01	1	1	1		
9	TAG - FAN MOTOR LEADS	-	4A1494-01					
10	TAG - WARNING: ELECTRICAL CONNECTION	PAPER	428430-01	1	1	1		
11	INSTRUCTION LABEL	PVC FILM	444575-01	1	1	1		
12	MANUAL LABEL - BIN CONTROL	PVC FILM	322846-01	1	1	1		
13	LABEL CHARGE	PES FILM	4A1399-08	1	1	1		
14	LABEL - R404A	-	4A0960-01	2	2	2		
15	CAUTION LABEL	PVC FILM	436198-01	1	1	1		
16	OPERATION LABEL - VALVE	PVC FILM	439541-01	1	1	1		
17	MANUAL LABEL	PVC FILM	324476-01	1	1	1		
18	RATING LABEL	-	4A2005-01	1	1	1		
19	LABEL - CONTROL BOARD	-	3A1272-01	1	1	1		
20	CAUTION - REMOTE LABEL	-	4A1491-01	1	1	1		
21	CAUTION TAPE - 404A	L=250	4A1535L01	1	1	1		
22	CAUTION LABEL (H)	-	439148-01	1	1	1		

