

NO. 71187

ISSUED: JUNE 24, 2001

REVISED: JULY 29, 2003



**HOSHIZAKI
MODULAR CRESCENT CUBER**

MODEL

KM-1300MAH

KM-1300MWH

KM-1300MRH

PARTS LIST

KM-1300MAH L-0 April 2001

KM-1300MWH L-0 June 2001

KM-1300MRH L-0 April 2001

MATERIAL ABBREVIATIONS

ALUMINUM

AL = Aluminum

COPPER

CU = Copper

PLASTIC

ABS = Acrylonitrile -butadiene - styrene
 AC = Polyacetal
 EVA = Ethylene vinyl acetate
 PA = Polyamide = Nylon
 PC = Polycarbonate
 PE = Polyethylene
 PES = Polyester
 PETP = Polyethylene terephthalate = Tetlon
 PP = Polypropylene
 PS = Polystyrene
 PTFE = Polytetrafluoroethylene = Teflon
 PUR = Polyurethane
 PVC = Polyvinyl chloride

RUBBER

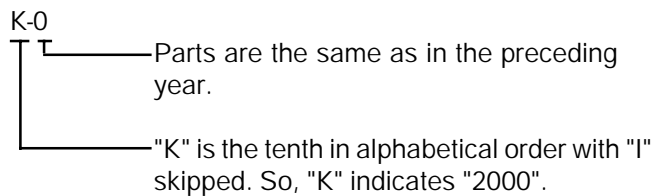
VN = Vinyl Nitrile
 EPDM = EP rubber
 NBR = Nitrile butadiene rubber
 NR = Natural rubber
 NP = Neoprene
 SI.R = Silicone rubber
 SY.R = Synthetic rubber
 EPH = Epichlorohydrin

STEEL

G.S = Galvanized steel
 S.S = Stainless steel
 PS = Plated steel
 PAS = Primed steel

AUXILIARY CODE

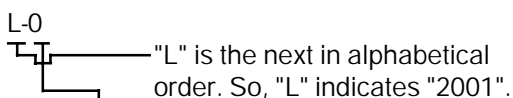
Ex.1



(Note) - = Part deleted.

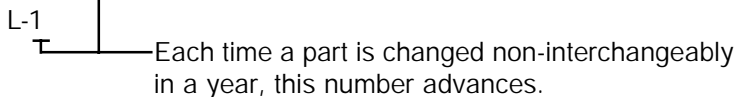
x = Part deleted and replaced by "o" (interchangeable) part.

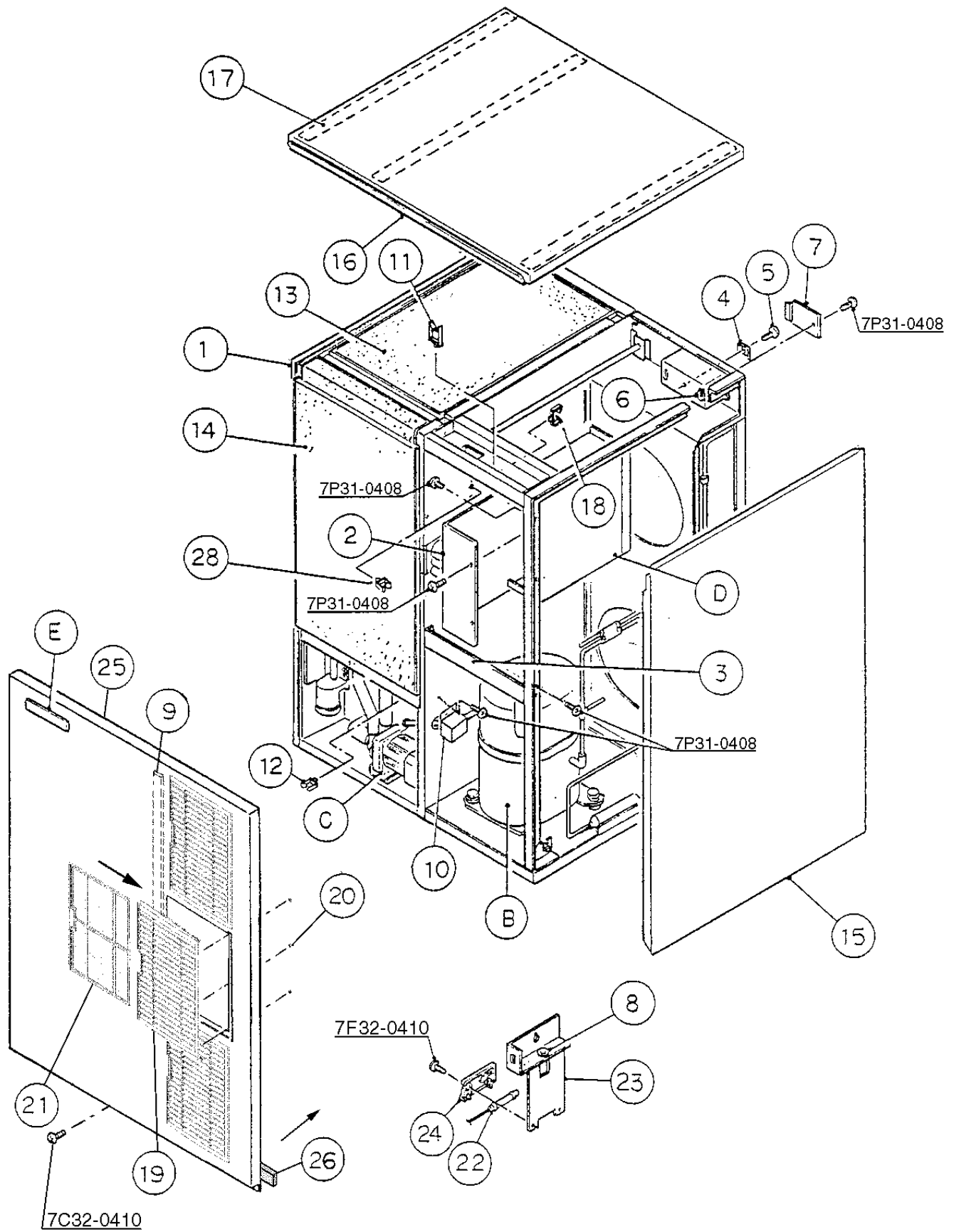
Ex.2



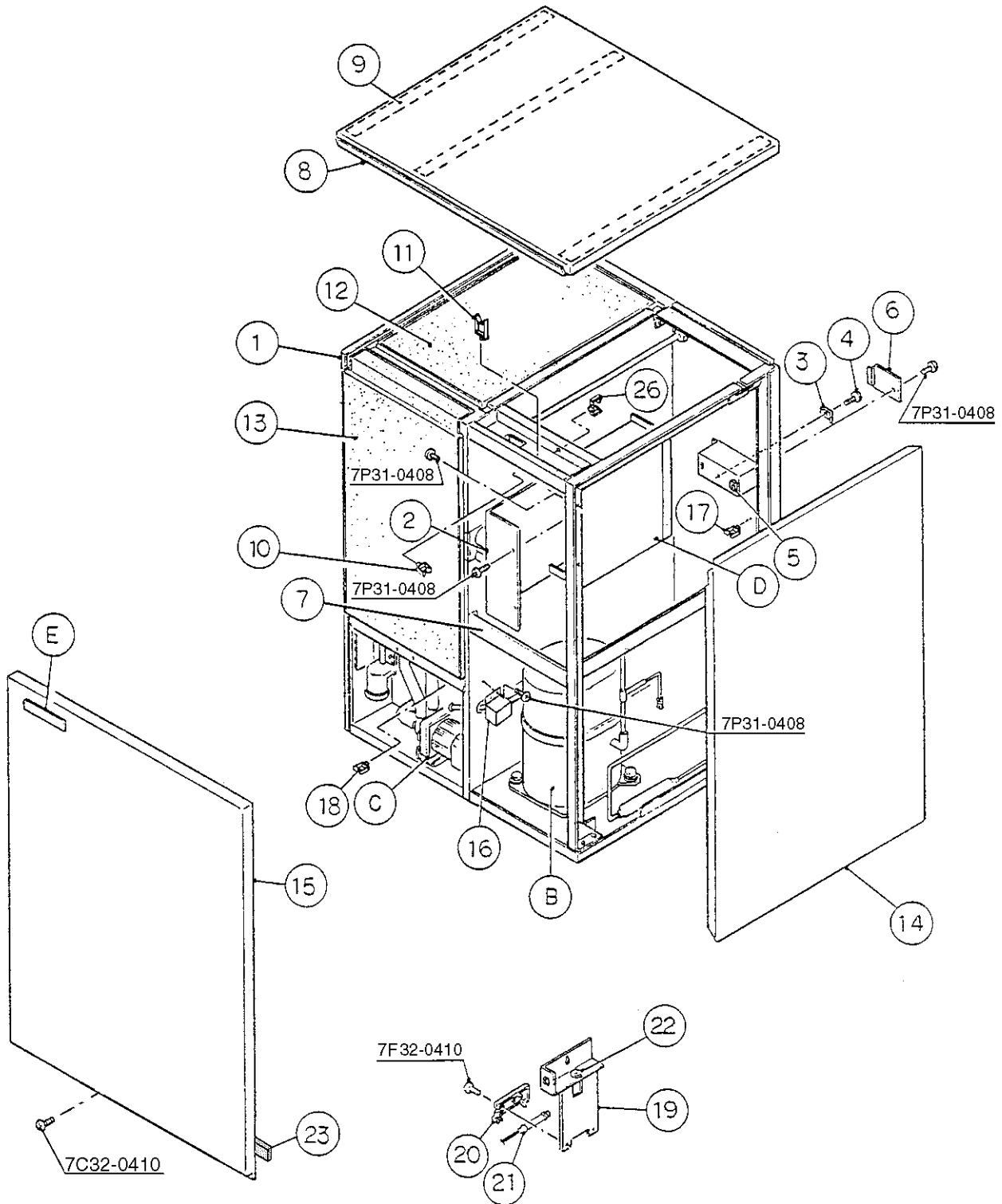
o = New part for "x" in the same auxiliary code.

Ex.3

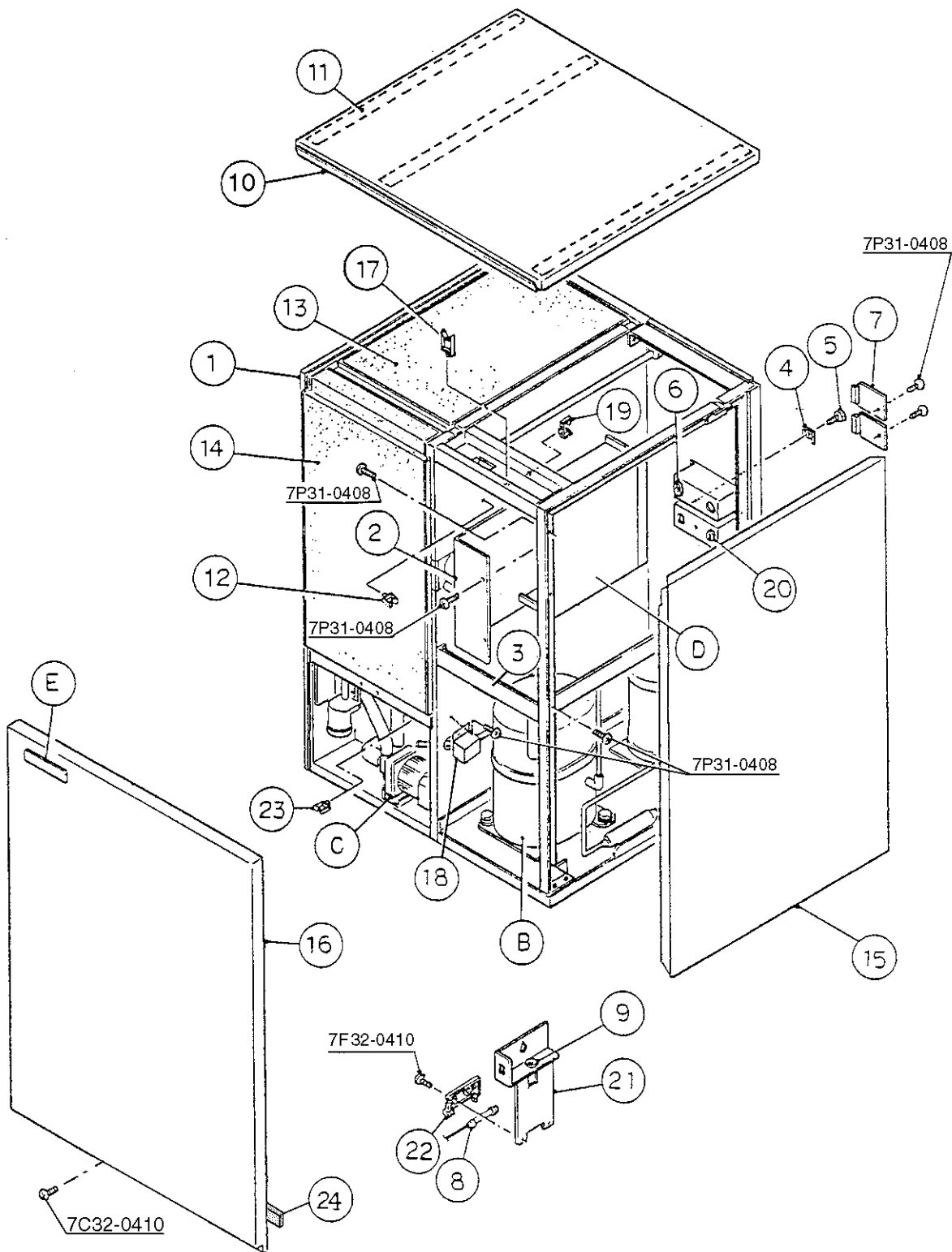




MODEL: KM-1300MAH TITLE: A. ICE CUBER ASSEMBLY								
INDEX NO.	DESCRIPTION	MATERIAL OR MODEL NUMBER	PART NUMBER	REQUIRED NUMBER				
				L-0				
B	REFRIGERATION CIRCUIT	-	1A0462A01	1				
C	WATER CIRCUIT	HS-1201	1A0094A04	1				
D	CONTROL BOX ASSEMBLY	-	2A2287A01	1				
	T2 SCREW	4X8	7P31-0408	3				
E	LABEL LOCATION	-	2A2167A01	1				
1	EVAPORATOR CASE	-	1A0602G01	1				
2	CONTROL BOX COVER	GS	3A0174-01	1				
	T2 SCREW	4X8	7P31-0408	2				
3	FRAME (F)	-	324093-01	1				
	T2 SCREW	4X8	7P31-0408	4				
4	SQUARE WASHER	BRASS	433537-02	1				
5	SCREW - GROUNDING	BRASS	433304-02	1				
6	BUSHING	SR-34-2	420472-05	1				
7	JUNCTION BOX COVER	GS	433410-01	1				
	T2 SCREW	4X8	7P31-0408	1				
8	BUSHING	-	425307-01	1				
9	FOAM SEAL	-	4A0661L01	1				
10	BARRIER	-	3A0235-01	1				
	T2 SCREW	4X8	7P31-0408	2				
11	WIRE SADDLE	-	4A0338-01	2				
12	WIRE SADDLE	-	4A0338-02	1				
13	TOP INSULATION	ABS, PE	322714G01	1				
14	FRONT INSULATION	ABS, PE	322711G01	1				
15	SIDE PANEL (R)	SS	2A2165G01	1				
16	TOP PANEL	3A1941A01, SS	2A2163-01	1				
17	GASKET	3A1941A01, PVC	427014-04	3				
18	WIRE SADDLE	-	4A0338-03	5				
19	LOUVER (A)	ABS	1A0547-01	3				

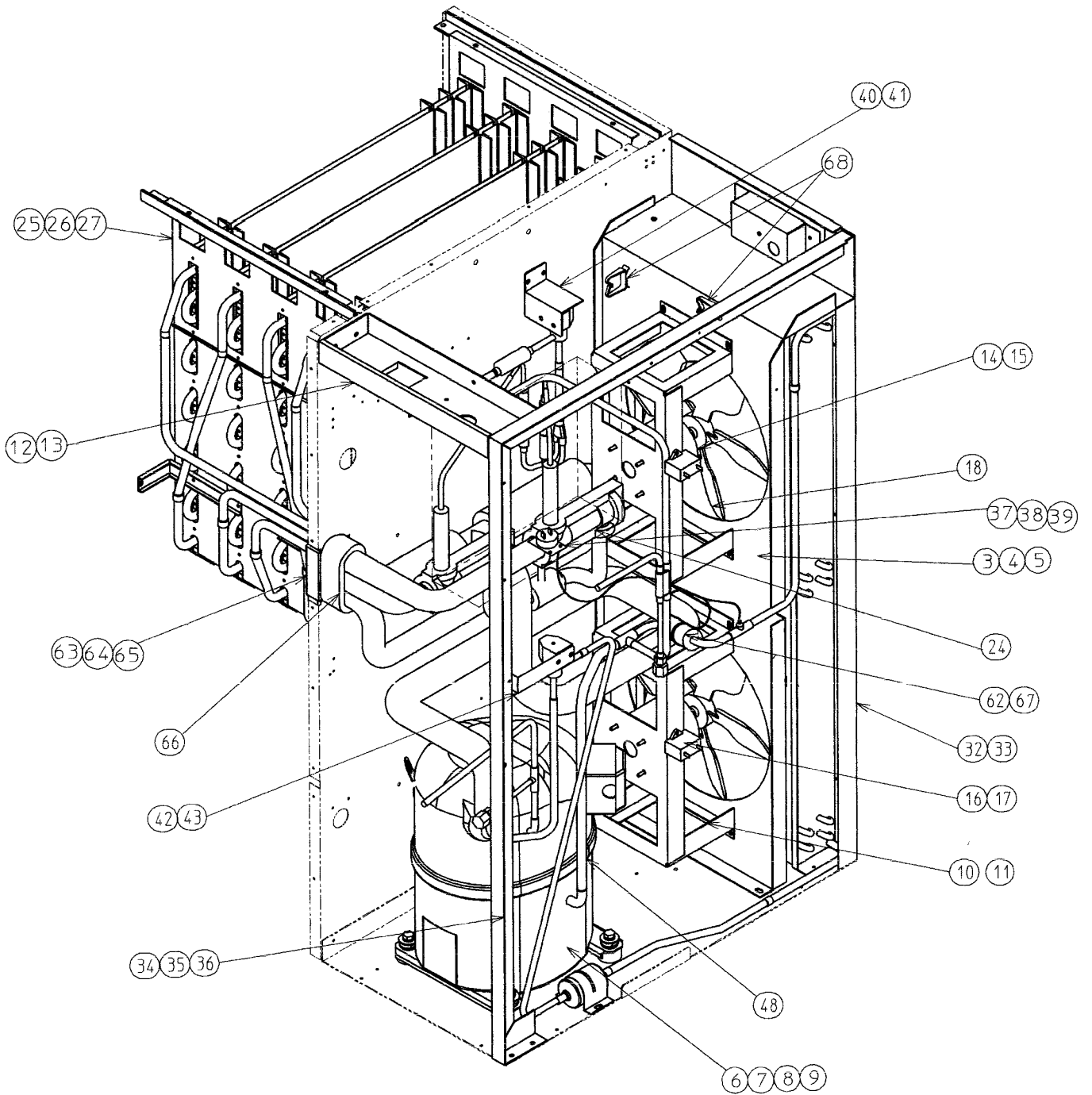


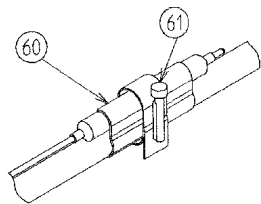
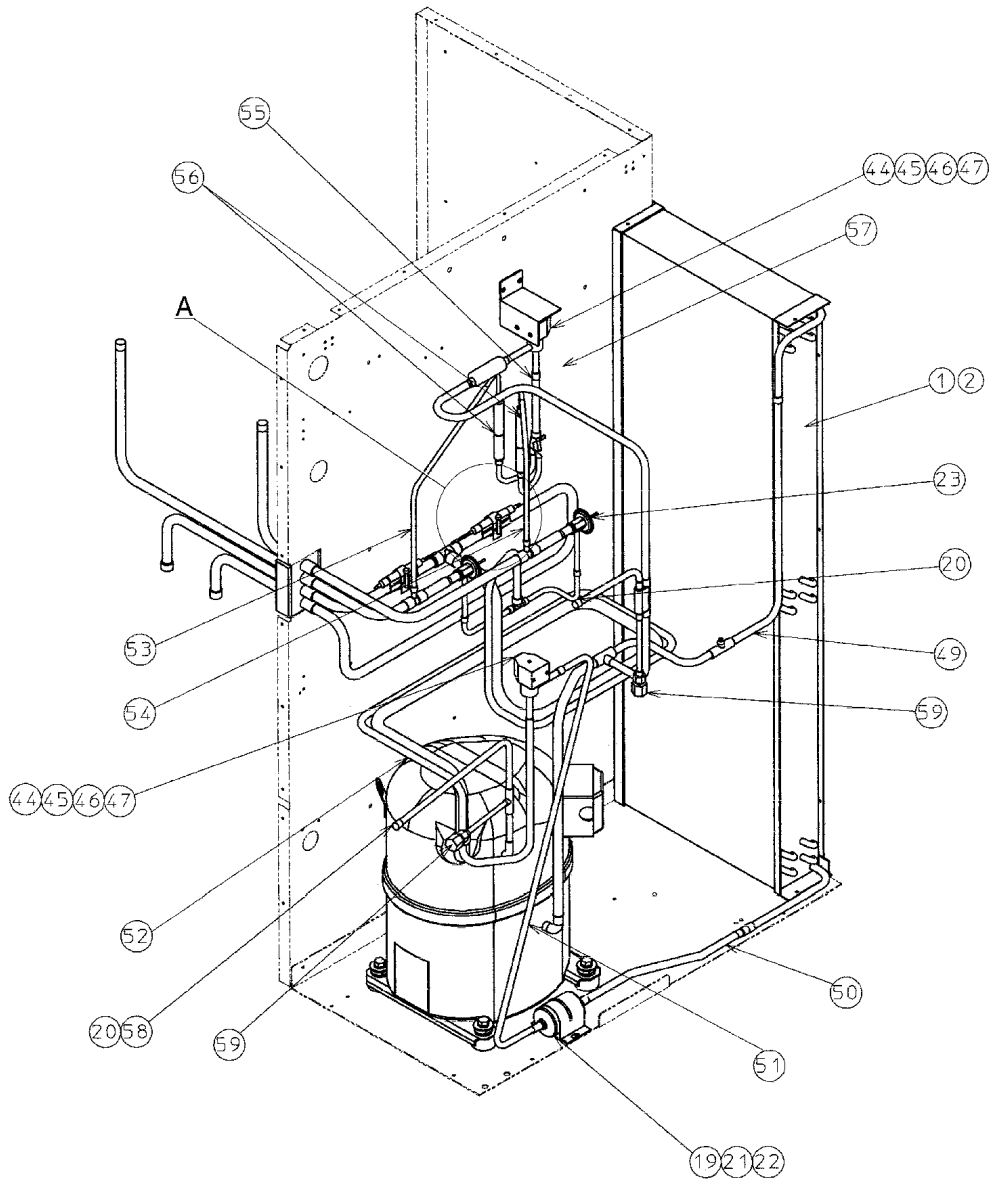
MODEL: KM-1300MWH TITLE: A. ICE CUBER ASSEMBLY								
INDEX NO.	DESCRIPTION	MATERIAL OR MODEL NUMBER	PART NUMBER	REQUIRED NUMBER				
				L-0				
B	REFRIGERATION CIRCUIT	-	1A0463A01	1				
C	WATER CIRCUIT	HS-1201	1A0094A04	1				
D	CONTROL BOX ASSEMBLY	-	2A2287A01	1				
	T2 SCREW	4X8	7P31-0408	3				
E	LABEL LOCATION	-	2A2168A01	1				
1	EVAP. CASE	HS-1016	1A0602G01	1				
2	CONTROL BOX COVER	GS	3A0174-01	1				
	T2 SCREW	4X8	7P31-0408	2				
3	SQUARE WASHER	BRASS	433537-02	1				
4	SCREW - GROUNDING	BRASS	433304-02	1				
5	BUSHING	SR-34-2	420472-05	1				
6	JUNCTION BOX COVER	GS	433410-01	1				
	T2 SCREW	4X8	7P31-0408	1				
7	FRAME (F)	GS	324093-01	1				
	T2 SCREW	4X8	7P31-0408	4				
8	TOP PANEL	(3A1941A01) , SS	2A2163-01	1				
9	GASKET	PVC	427014-04	3				
10	WIRE SADDLE	VWS4274-C	4A0338-03	5				
11	WIRE SADDLE	VWS4218-C	4A0338-01	1				
12	TOP INSULATION	ABS, PE	322714G01	1				
13	FRONT INSULATION	ABS,PE	322711G01	1				
14	SIDE PANEL (R)	SS	2A2165G01	1				
15	FRONT PANEL (A)	SS	2A2164-02	1				
	TRUSS HEAD SCREW	4X8, SS	7C32-0408	1				
16	BARRIER	GS	3A0235-01	1				
	T2 SCREW	4X8	7P31-0408	2				
17	WIRE SADDLE	VWS42105-C	4A0338-04	1				
18	WIRE SADDLE	VWS4238-C	4A0338-02	2				
19	BULB HOLDER	SS	322815G02	1				
20	BULB HOLDER	ABS	328919-01	1				



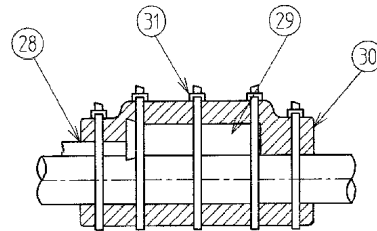
H A

MODEL: KM-1300MRH TITLE: A. ICE CUBER ASSEMBLY								
INDEX NO.	DESCRIPTION	MATERIAL OR MODEL NUMBER	PART NUMBER	REQUIRED NUMBER				
				L-0				
B	REFRIGERATION CIRCUIT	-	1A0464A01	1				
C	WATER CIRCUIT	-	1A0094A04	1				
D	CONTROL BOX ASSEMBLY	-	2A2287A01	1				
	T2 SCREW	4X8	7P31-0408	3				
E	LABEL LOCATION	-	2A2169A01	1				
1	EVAP. CASE	-	1A0602G01	1				
2	CONTROL BOX COVER	GS	3A0174-01	1				
	T2 SCREW	4X8	7P31-0408	2				
3	FRAME (F)	GS	324093-01	1				
	T2 SCREW	4X8	7P31-0408	4				
4	SQUARE WASHER	BRASS	433537-02	2				
5	SCREW - GROUNDING	BRASS	433304-02	2				
6	BUSHING	SR-34-2	420472-05	1				
7	JUNCTION BOX COVER	GS	433410-01	2				
	T2 SCREW	4X8	7P31-0408	2				
8	SPACER	PE	443545-01	1				
	FT SCREW	4X10, SS	7F32-0410	2				
9	BUSHING	-	425307-01	1				
10	TOP PANEL	(3A1941A01), SS	2A2163-01	1				
11	GASKET	PVC	427014-04	3				
12	WIRE SADDLE	VWS4274-C	4A0338-03	5				
13	TOP INSULATION	ABS, PE	322714G01	1				
14	FRONT INSULATION	ABS,PE	322711G01	1				
15	SIDE PANEL (R)	SS	2A2165G01	1				
16	FRONT PANEL (A)	SS	2A2164-02	1				
	TRUSS HEAD SCREW	4X8, SS	7C32-0408	1				
17	WIRE SADDLE	VWS4218-C	4A0338-01	1				
18	BARRIER	GS	3A0235-01	1				
	T2 SCREW	4X8	7P31-0408	2				
19	WIRE SADDLE	VWS42105-C	4A0338-04	1				





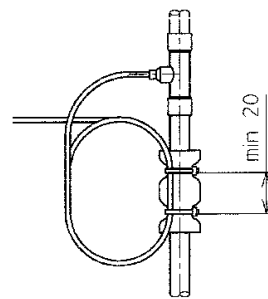
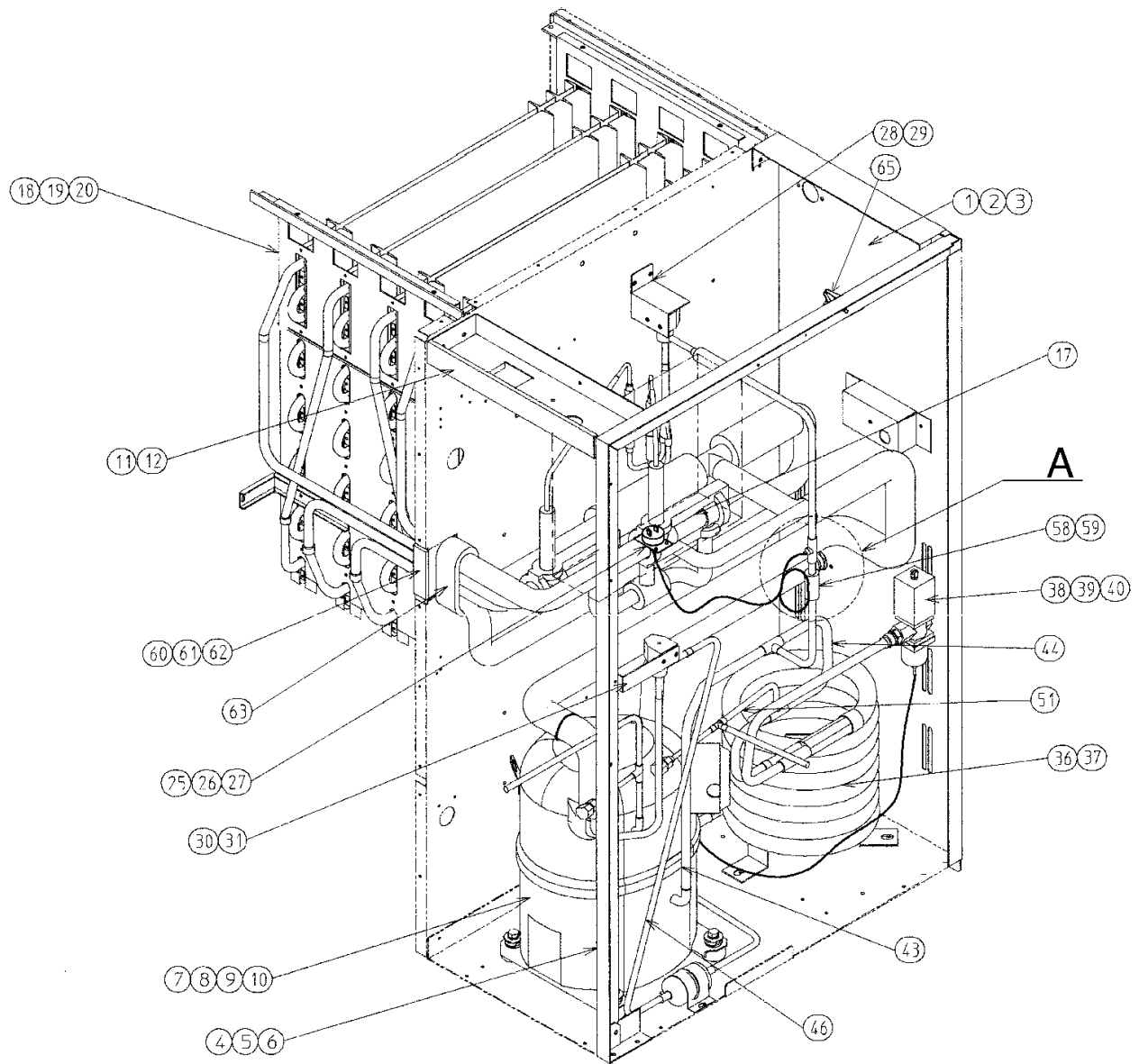
Detail A



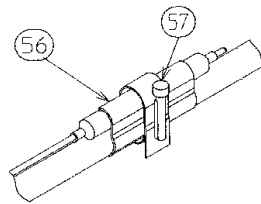
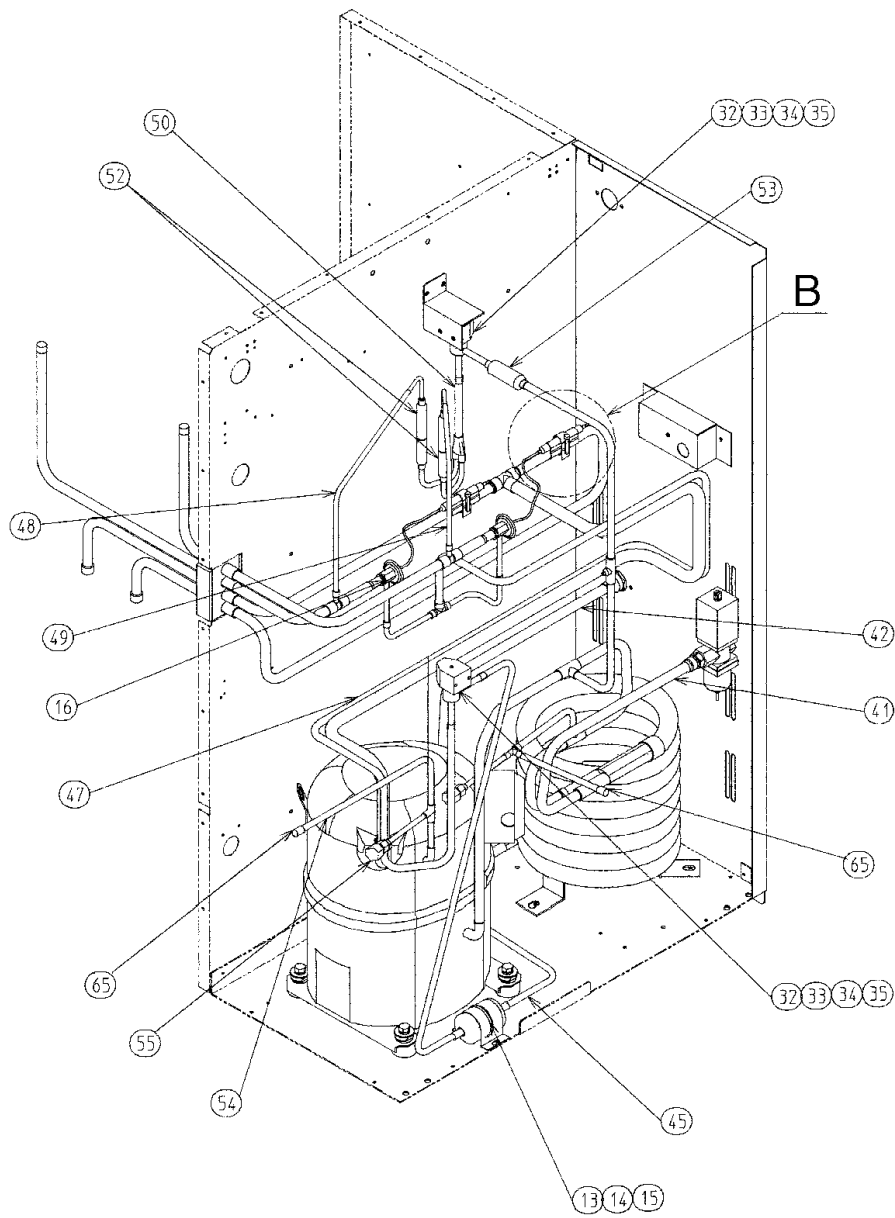
Detailed Thermistor Attachment

MODEL: KM-1300MAH TITLE: B. REFRIGERATION CIRCUIT								
INDEX NO.	DESCRIPTION	MATERIAL OR MODEL NUMBER	PART NUMBER	REQUIRED NUMBER				
				L-0				
1	CONDENSER	-	212589-01	1				
2	T2 SCREW	4X8	7P31-0408	4				
3	SHROUD	GS	212666G07	1				
4	T2 SCREW	4X8	7P31-0408	4				
5	TRUSS HEAD SCREW	5X8	7C31-0508	1				
6	COMPRESSOR	CS14K6E-PFV	4A1412-01	1				
7	BOLT	8x45	437889-01	4				
8	GROMMET	027-0167-00	434922-01	4				
9	SPACER	028-0188-02	434921-01	4				
10	FAN MOTOR BRACKET	GS	2A0181-01	2				
11	HEX HEAD BOLT W/WASHER (LF)	5X10	7B0230510	8				
12	FRAME (C)	-	3A0347-01	1				
13	T2 SCREW	4X8	7P31-0408	2				
14	FAN MOTOR	U90B1, 7190-1031	440911-01	2				
15	SELF-LOCKING NUT	No. 8-32	7N21I0832	8				
16	CAPACITOR	5MFD, 250V	443192-02	2				
17	T2 SCREW	4X8	7P31-0408	2				
18	FAN BLADE	AD10CW32	444898-01	2				
19	DRIER	CW-0325-S	4A1413-01	1				
20	ENDCAP	-	4A1413F01	2				
21	DRIER BRACKET	-	4A0807-01	1				
22	T2 SCREW	4X8	7P31-0408	2				
23	EXPANSION VALVE	HFE-10NHD-2	4A1414-01	2				
24	EXP. VALVE COVER	PE FOAM	3A0944-01	2				
25	EVAPORATOR	-	104442G01	1				
26	TRUSS HEAD SCREW	SS, 4X8	7C32-0408	4				
27	T2 SCREW	SS, 4X8	7P31-0408	2				

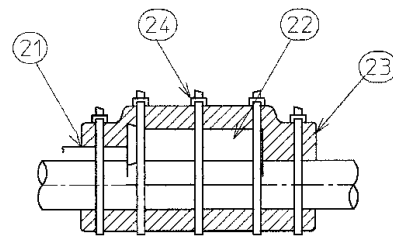
MODEL: KM-1300MAH TITLE: B. REFRIGERATION CIRCUIT								
INDEX NO.	DESCRIPTION	MATERIAL OR MODEL NUMBER	PART NUMBER	REQUIRED NUMBER				
				L-0				
28	THERMISTOR	-	429006-03	1				
29	HOLDER - THERMISTOR	COPPER	438247-01	1				
30	INSULATION - THERMISTOR	PE FOAM	427441-01	1				
31	TIE	CV-200	7920-0010	3				
32	BARRIER (B)	GS	435056-01	1				
33	T2 SCREW	4X8	7P31-0408	3				
34	FRAME	-	3A0350G01	1				
35	FT SCREW	SS, 4X8	7F32-0408	4				
36	T2 SCREW	4X8	7P31-0408	2				
37	PRESSURE SWITCH	ACB-1UB09	433441-07	1				
38	PRESSURE SWITCH BRACKET	GS	434938-01	1				
39	T2 SCREW	4X8	7P31-0408	1				
40	HOT GAS VALVE BRACKET	GS	444816-01	1				
41	T2 SCREW	4X8	7P31-0408	2				
42	LINE VALVE BRACKET	GS	4A1544-01	1				
43	T2 SCREW	4X8	7P31-0408	2				
44	VALVE BODY	70	440352-01	2				
45	COIL - VALVE	ABS-25-1-HD-2	440353-01	2				
46	BOLT	4x6	440353F01	2				
47	TRUSS HEAD SCREW	4X8	7C31-0408	4				
48	COPPER TUBE (A) – HIGH SIDE	COPPER	2A1663G01	1				
49	COPPER TUBE (B) – HIGH SIDE	COPPER	2A1665G01	1				
50	COPPER TUBE (C) – HIGH SIDE	COPPER	3A1491-01	1				
51	COPPER TUBE – LINE VALVE	COPPER	4A1994-01	1				
52	HEAT EXCHANGER	-	1A0479G01	1				
53	COPPER TUBE (L) – LOW SIDE	COPPER	2A1666G01	1				
54	COPPER TUBE (R) – LOW SIDE	COPPER	2A1667G01	1				



Detail A



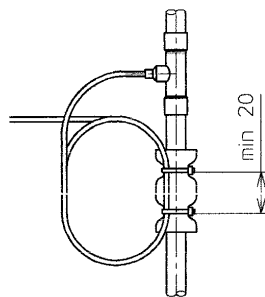
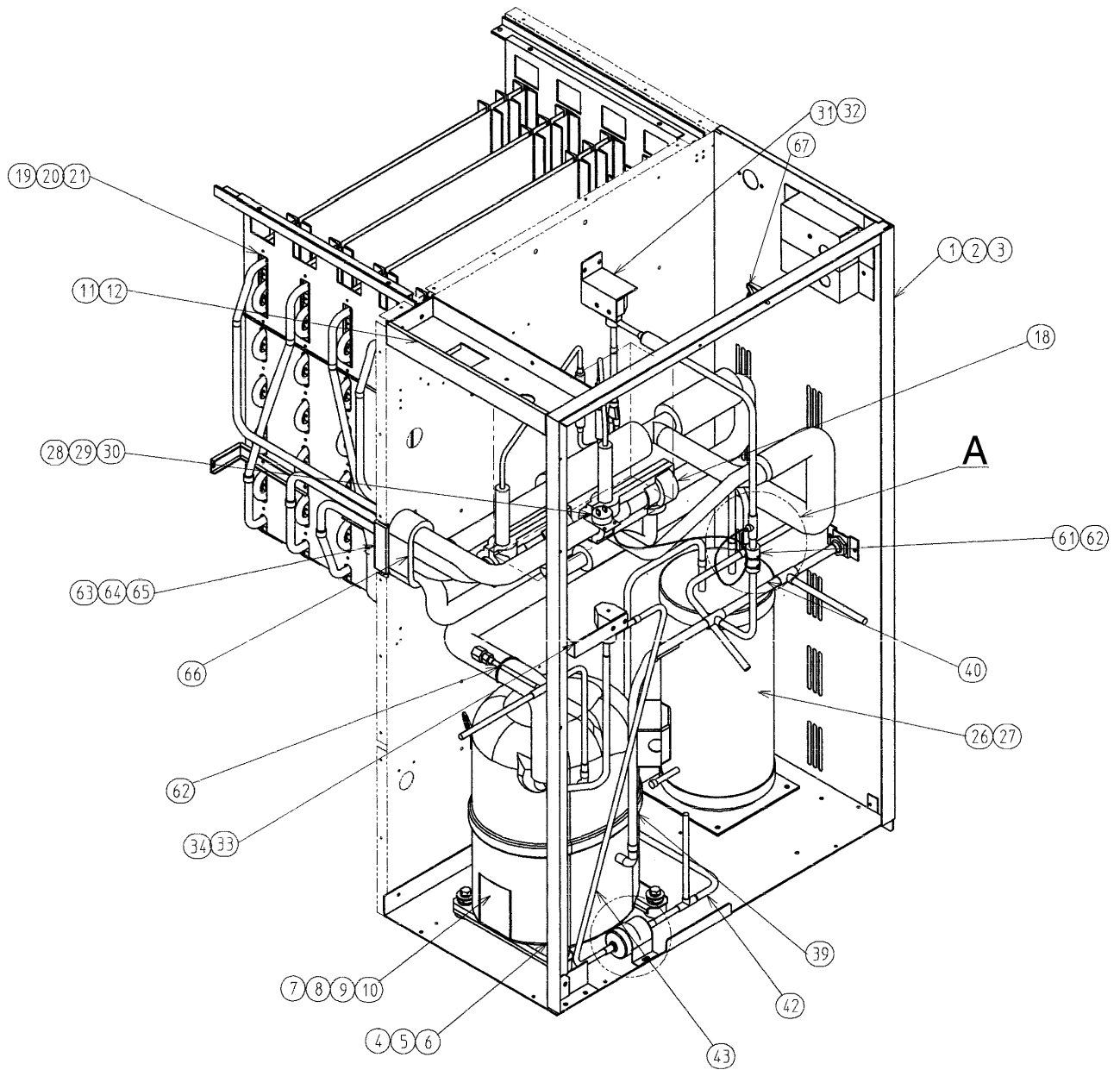
Detail B



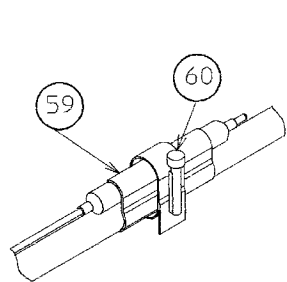
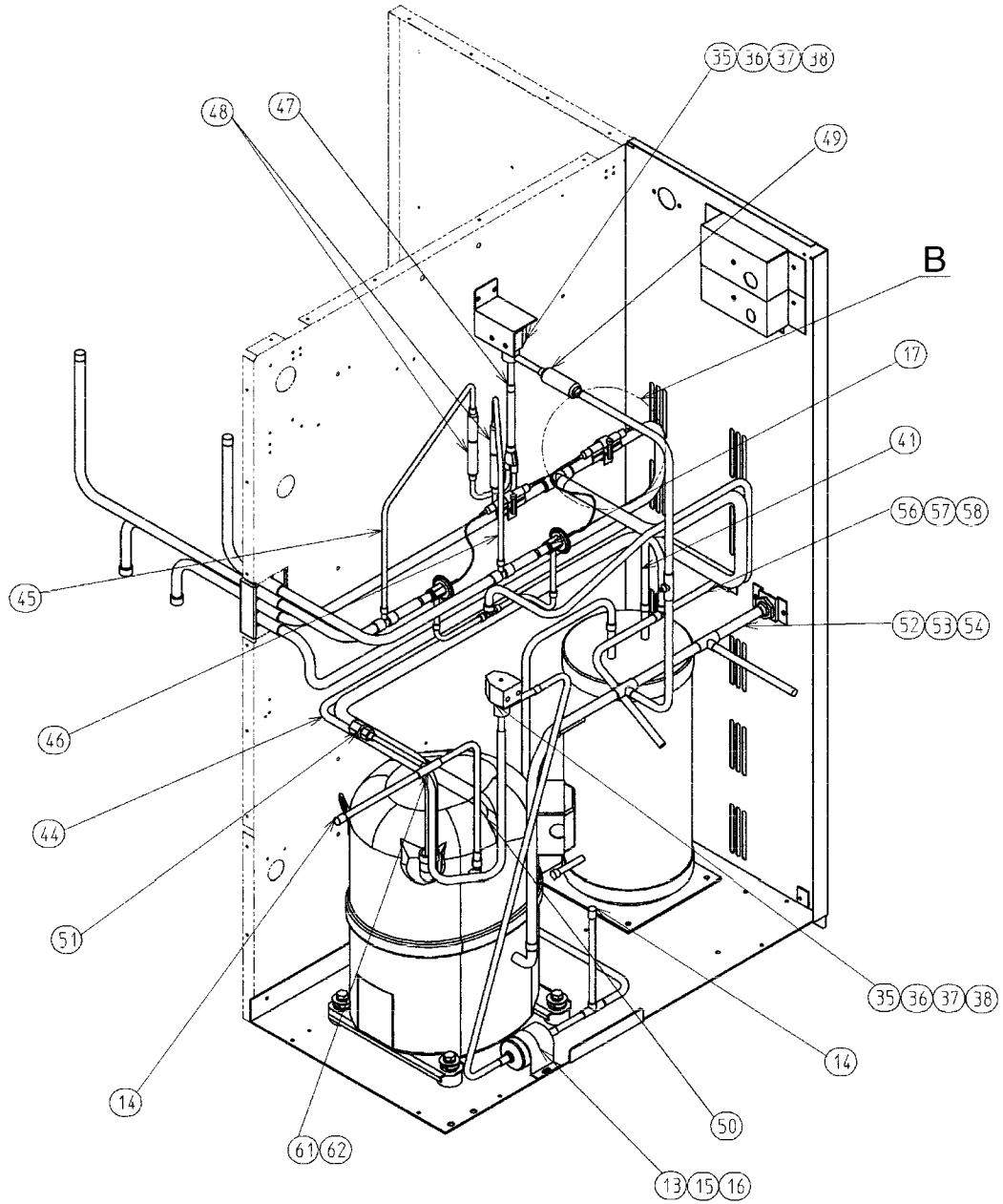
Detailed Thermistor Attachment

MODEL: KM-1300MWH		TITLE: B. REFRIGERATION CIRCUIT						
INDEX NO.	DESCRIPTION	MATERIAL OR MODEL NUMBER	PART NUMBER	REQUIRED NUMBER				
				L-0				
1	REAR PANEL	-	3A1485G01	1				
2	FT SCREW	SS, 4X8	7F32-0408	2				
3	T2 SCREW	4X8	7P31-0408	5				
4	FRAME	-	3A0350G01	1				
5	FT SCREW	SS, 4X8	7F32-0408	4				
6	T2 SCREW	4X8	7P31-0408	2				
7	COMPRESSOR	CS14K6E-PFV	4A1412-01	1				
8	BOLT	8x45	437889-01	4				
9	GROMMET	027-0167-00	434922-01	4				
10	SPACER	028-0188-02	434921-01	4				
11	FRAME (C)	-	3A0347-01	1				
12	T2 SCREW	4X8	7P31-0408	2				
13	DRIER	CW-0325-S	4A1413-01	1				
14	DRIER BRACKET	-	4A0807-01	1				
15	T2 SCREW	4X8	7P31-0408	2				
16	EXPANSION VALVE	HFE-10NHD-2	4A1414-01	2				
17	EXP. VALVE COVER	PE FOAM	3A0944-01	1				
18	EVAPORATOR	-	104442G01	1				
19	TRUSS HEAD SCREW	SS, 4X8	7C32-0408	4				
20	T2 SCREW	SS, 4X8	7P31-0408	2				
21	THERMISTOR	-	429006-03	1				
22	HOLDER - THERMISTOR	COPPER	438247-01	1				
23	INSULATION - THERMISTOR	PE FOAM	427441-01	1				
24	CABLE TIE	CV-200	7920-0010	3				
25	PRESSURE SWITCH	ACB-2UB04	433441-05	1				
26	PRESSURE SWITCH BRACKET	GS	434938-01	1				
27	T2 SCREW	4X8	7P31-0408	1				
28	HOT GAS VALVE BRACKET	GS	444816-01	1				
29	T2 SCREW	4X8	7P31-0408	2				

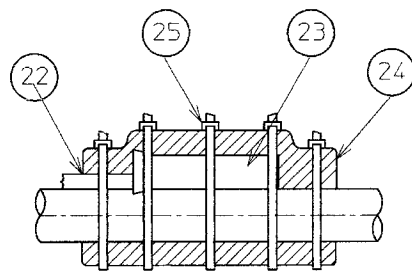
MODEL: KM-1300MWH TITLE: B. REFRIGERATION CIRCUIT								
INDEX NO.	DESCRIPTION	MATERIAL OR MODEL NUMBER	PART NUMBER	REQUIRED NUMBER				
				L-0				
30	LINE VALVE BRACKET	-	4A1544-01	1				
31	T2 SCREW	4X8	7P31-0408	2				
32	VALVE BODY	70	440352-01	2				
33	COIL - VALVE	ABS-25-1-HD-2	440353-01	2				
34	BOLT	-	440353F01	2				
35	TRUSS HEAD SCREW	4X8	7C31-0408	4				
36	CONDENSER	-	4A1656-02	1				
37	HEX HEAD BOLT W/WASHER (LF)	5X12	7B0230512	3				
38	WATER REGULATOR	V46DA-3	4A0911-03	1				
39	TRUSS HEAD SCREW	4X6	7C31-0406	2				
40	MALE CONNECTOR	-	4A1087-01	1				
41	COPPER TUBE (A)	COPPER	4A1991G01	1				
42	COPPER TUBE (B)	COPPER	3A1473G01	1				
43	COPPER TUBE (A) – HIGH SIDE	COPPER	2A1692G01	1				
44	COPPER TUBE (B) – HIGH SIDE	COPPER	4A1993G01	1				
45	COPPER TUBE (C) – HIGH SIDE	COPPER	3A1475G01	1				
46	COPPER TUBE - LINE VALVE	COPPER	4A1994-01	1				
47	HEAT EXCHANGER	-	1A0475G01	1				
48	COPPER TUBE (L) - LOW SIDE	COPPER	2A1666G01	1				
49	COPPER TUBE (R) - LOW SIDE	COPPER	2A1667G01	1				
50	COPPER TUBE - HOT GAS	COPPER	3A0213G01	1				
51	COPPER TUBE (J)	COPPER	3A1482G01	1				
52	CHECK VALVE	-	4A1373-01	2				
53	STRAINER	-	441569-02	1				
54	COPPER TUBE – ACCESS VALVE	COPPER	3A1518G01	1				
55	ACCESS VALVE	-	457729-01	2				



Detail A



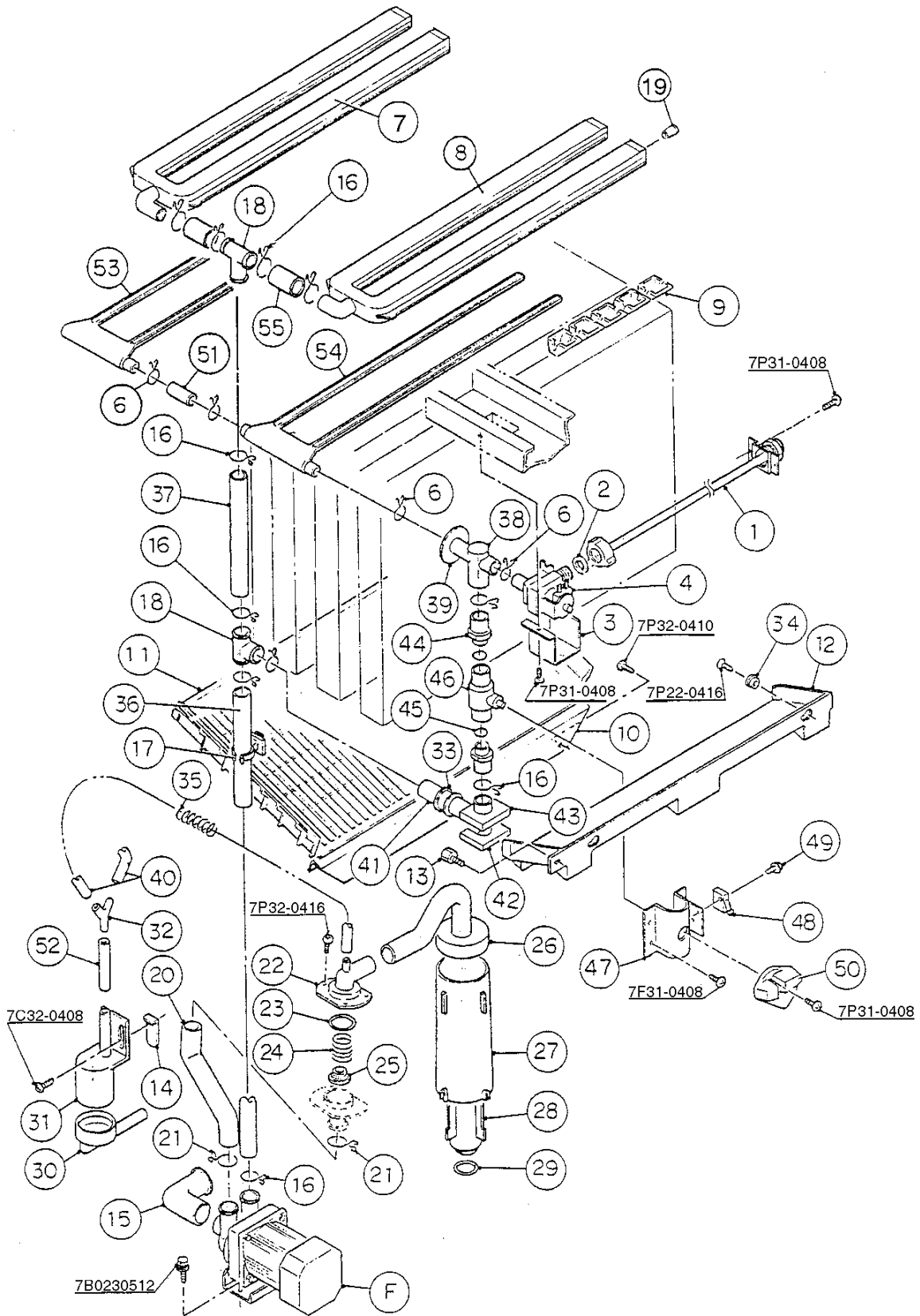
Detail B



Detailed Thermistor Attachment

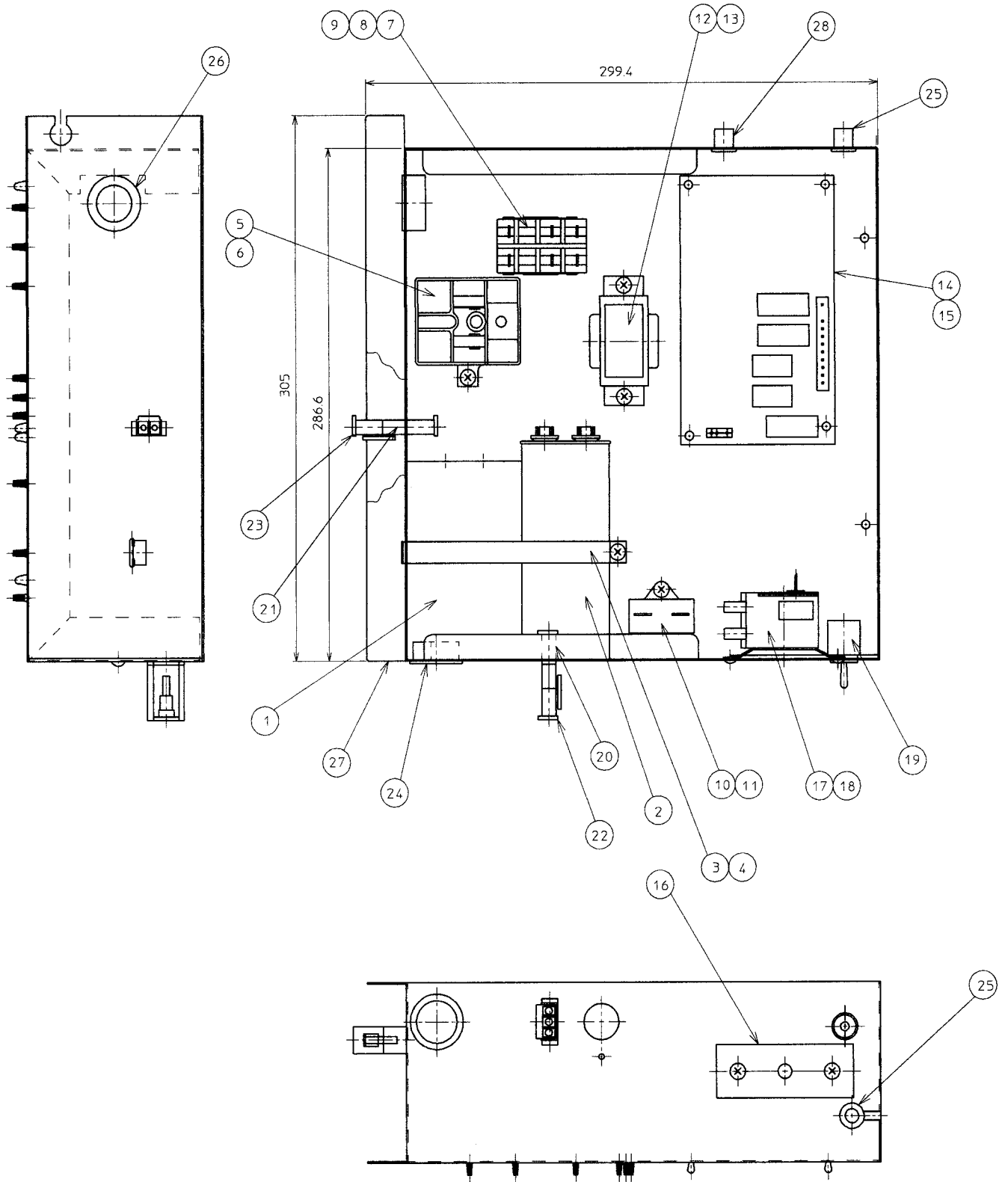
MODEL: KM-1300MRH TITLE: B. REFRIGERATION CIRCUIT								
INDEX NO.	DESCRIPTION	MATERIAL OR MODEL NUMBER	PART NUMBER	REQUIRED NUMBER				
				L-0				
1	REAR PANEL	-	222025G03	1				
2	FT SCREW	SS, 4X8	7F32-0408	2				
3	T2 SCREW	4X8	7P31-0408	5				
4	FRAME	-	3A0350G01	1				
5	FT SCREW	SS, 4X8	7F32-0408	4				
6	T2 SCREW	4X8	7P31-0408	2				
7	COMPRESSOR	CS14K6E-PFV	4A1412-02	1				
8	BOLT	8x45	437889-01	4				
9	GROMMET	027-0167-00	434922-01	4				
10	SPACER	028-0188-02	434921-01	4				
11	FRAME (C)	-	3A0347-01	1				
12	T2 SCREW	4X8	7P31-0408	2				
13	DRIER	CW-0325-S	4A1413-01	1				
14	ENDCAP	-	4A1413F01	2				
15	DRIER BRACKET	-	4A0807-01	1				
16	T2 SCREW	4X8	7P31-0408	2				
17	EXPANSION VALVE	HFE-10NHD-2	4A1414-01	2				
18	EXP. VALVE COVER	PE FOAM	3A0944-01	2				
19	EVAPORATOR	-	104442G01	1				
20	TRUSS HEAD SCREW	SS, 4X8	7C32-0408	4				
21	T2 SCREW	SS, 4X8	7P32-0408	2				
22	THERMISTOR	-	429006-03	1				
23	HOLDER - THERMISTOR	COPPER	438247-01	1				
24	INSULATION - THERMISTOR	PE FOAM	427441-01	1				
25	CABLE TIE	CV-200	7920-0010	3				
26	RECEIVER	-	437652-01	1				
27	HEX HEAD BOLT W/WASHER (LF)	5X10	7B0230510	3				

MODEL: KM-1300MRH TITLE: B. REFRIGERATION CIRCUIT								
INDEX NO.	DESCRIPTION	MATERIAL OR MODEL NUMBER	PART NUMBER	REQUIRED NUMBER				
				L-0				
28	PRESSURE SWITCH	ACB-1UB09	433441-07	1				
29	PRESSURE SWITCH BRACKET	GS	434938-01	1				
30	T2 SCREW	4X8	7P31-0408	1				
31	HOT GAS VALVE BRACKET	GS	444816-01	1				
32	T2 SCREW	4X8	7P31-0408	2				
33	LINE VALVE BRACKET	GS	4A1544-01	1				
34	T2 SCREW	4X8	7P31-0408	2				
35	VALVE BODY	70	440352-01	2				
36	COIL - VALVE	ABS-25-1-HD-2	440353-01	2				
37	BOLT	4x6	440353F01	2				
38	TRUSS HEAD SCREW	4X8	7C31-0408	4				
39	COPPER TUBE (A) – HIGH SIDE	COPPER	2A1692G01	1				
40	COPPER TUBE (B) – HIGH SIDE	COPPER	4A2030G01	1				
41	COPPER TUBE (D) – HIGH SIDE	COPPER	3A1603G01	1				
42	COPPER TUBE (E) – HIGH SIDE	COPPER	2A1672G01	1				
43	COPPER TUBE – LINE VALVE	COPPER	4A1994-01	1				
44	HEAT EXCHANGER	-	1A0475A01	1				
45	COPPER TUBE (L) – LOW SIDE	COPPER	2A1666G01	1				
46	COPPER TUBE (R) – LOW SIDE	COPPER	2A1667G01	1				
47	COPPER TUBE - HOT GAS	COPPER	3A0213G01	1				
48	CHECK VALVE	SKC 30564	4A1373-01	2				
49	STRAINER	-	441569-02	1				
50	COPPER TUBE – ACCESS VALVE	COPPER	3A1518G01	1				
51	ACCESS VALVE	-	457729-01	2				
52	COUPLING	-	434136G01	1				
53	TUBE HOLDER - L	-	438245-01	1				
54	T2 SCREW	4X8	7P31-0408	2				

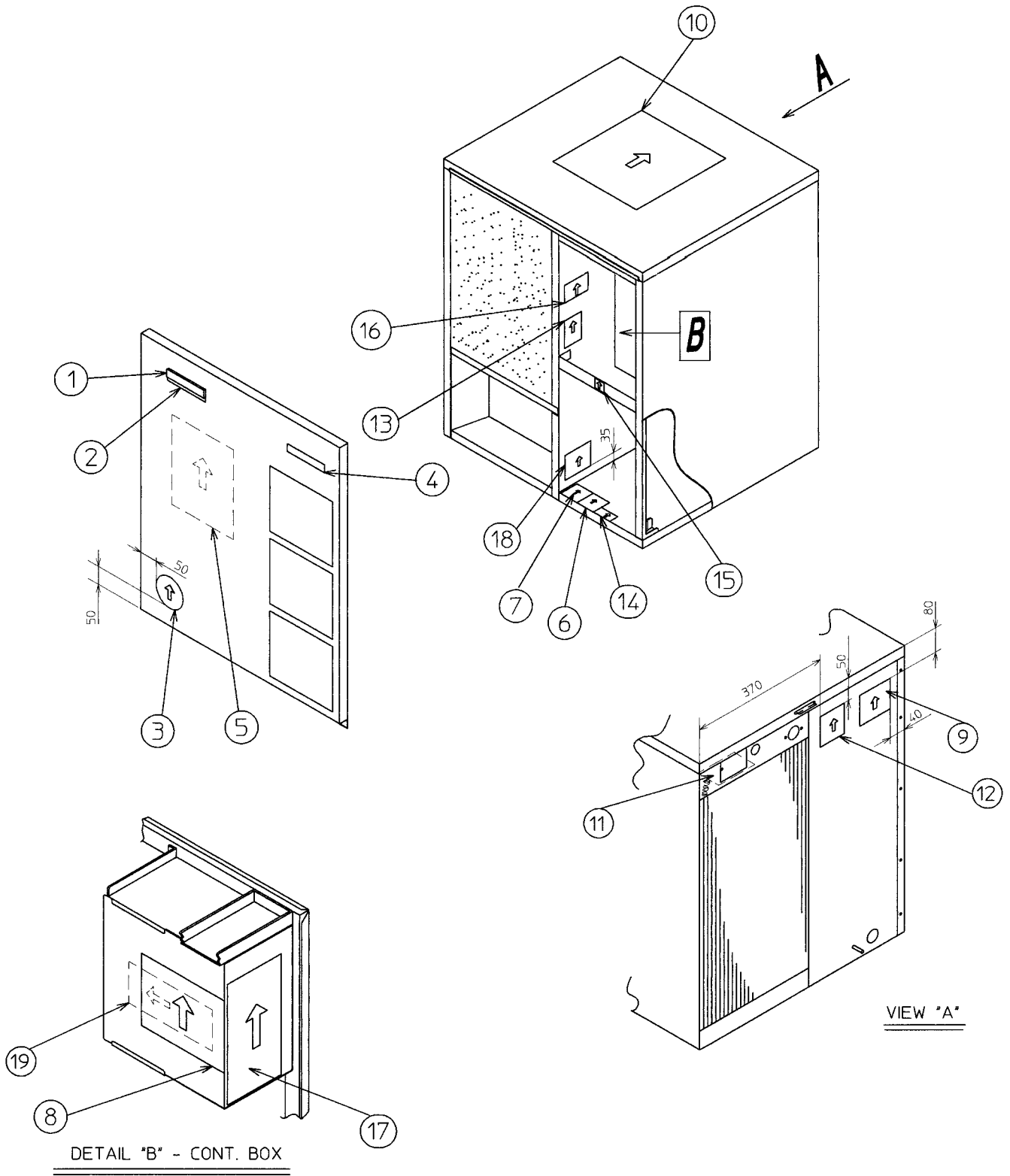


MODEL: KM-1300MAH, MWH, MRH TITLE: C. WATER CIRCUIT								
INDEX NO.	DESCRIPTION	MATERIAL OR MODEL NUMBER	PART NUMBER	REQUIRED NUMBER				
				L-0				
F	PUMP MOTOR ASSEMBLY	(S-0731)	215693A01	1				
	HEX HEAD BOLT W/WASHER (LF)	SS, 5X12	7B0230512	1				
1	WATER SUPPLY PIPE	COPPER	4A0768G01	1				
	T2 SCREW	4X8	7P31-0408	2				
2	RUBBER GASKET	NR	413854-03	1				
3	WATER VALVE BRACKET	GS	321443-01	1				
	T2 SCREW	4X8	7P31-0408	1				
4	WATER VALVE	J248-030	3U0111-01	1				
5	-	-	-					
6	HOSE CLAMP	SS, 18MM	427443-05	4				
7	SPRAY TUBE	PE	1A0260-02	1				
8	SPRAY TUBE	PE	1A0260-01	1				
9	SPRAY GUIDE (A)	PE	208586-01	12				
10	PLATE	SS	3A0133-01	1				
	T2 SCREW	SS, 4X10	7P32-0410	4				
11	CUBE GUIDE (A)	SS	214905-01	1				
12	CUBE GUIDE (B)	ABS	322644-02	1				
13	THUMBSCREW	ABS, SS	415949G01	1				
14	FLOAT SWITCH STOP	SS	4A0137-01	1				
15	HOSE (A)	EPDM	435091-01	1				
16	HOSE CLAMP	SS, 25MM	427443-03	11				
17	HOLDER	PP	322692-01	1				
18	DISTRIBUTOR	ABS	432426-01	2				
19	PLUG	EPDM	4A0176-01	4				
20	DRAIN HOSE	EPDM	435092-01	1				
21	HOSE CLAMP	SS, 27MM	427443-08	2				
22	DRAIN VALVE (B)	ABS	3A1170-01	1				

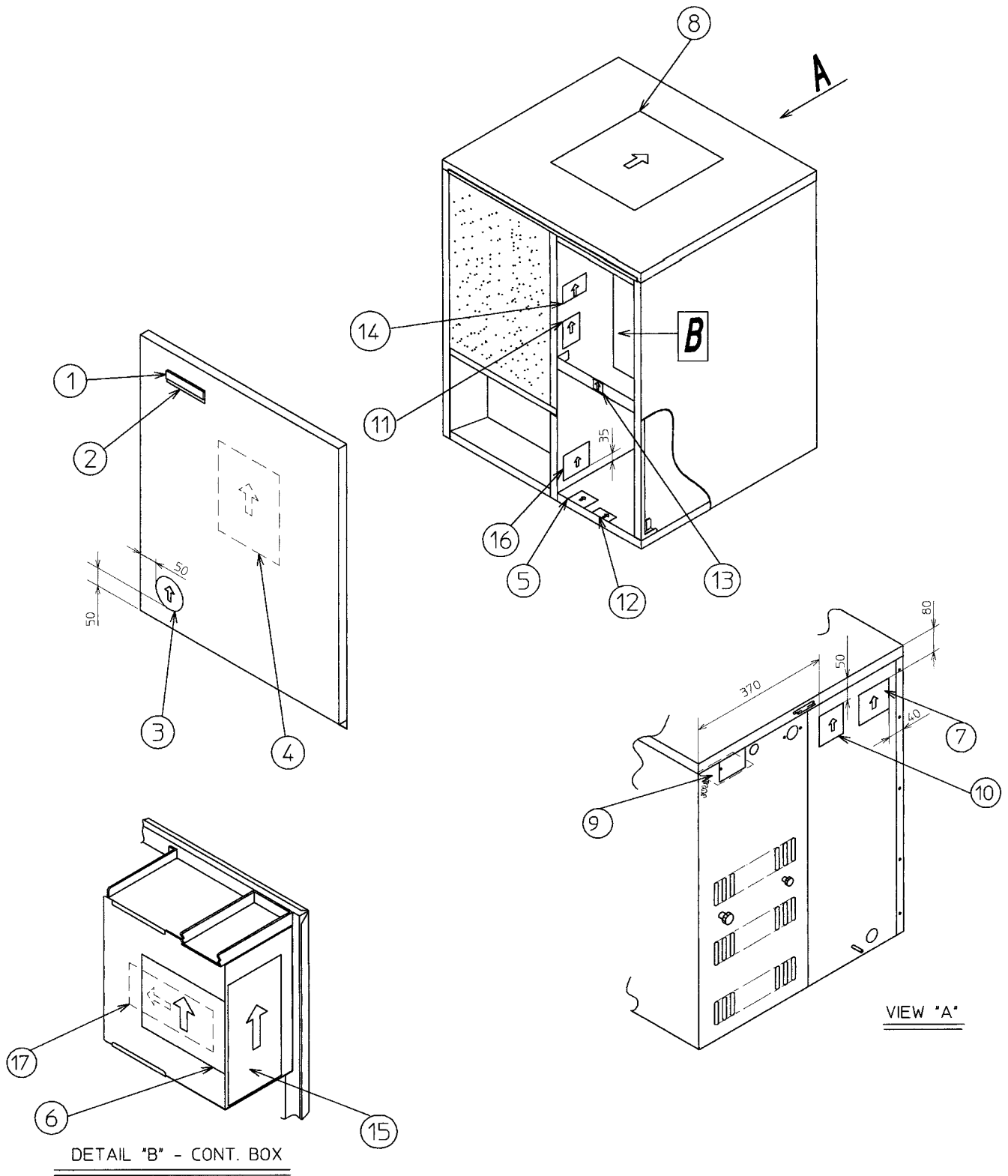
MODEL: KM-1300MAH, MWH, MRH TITLE: C. WATER CIRCUIT								
INDEX NO.	DESCRIPTION	MATERIAL OR MODEL NUMBER	PART NUMBER	REQUIRED NUMBER				
				L-0				
23	"O" RING	1AG35	7611-G035	1				
24	SPRING	SS	322685-01	1				
25	VALVE SHEET	EPDM	433705-01	1				
	T2 SCREW	SS, 4X16	7P32-0416	3				
26	HOSE (C)	EPDM	326655-01	1				
27	OVERFLOW CAP	ABS	322816-01	1				
28	OVERFLOW PIPE	ABS	322691-01	1				
29	"O" RING	-	4A1234-01	1				
30	CONNECTOR - FLOAT SWITCH	EPDM	426799-01	1				
31	FLOAT SWITCH	163790	4A0886-02	1				
	TRUSS HEAD SCREW	SS, 4X8	7C32-0408	2				
32	CONNECTOR	ABS	432763-01	1				
33	RUBBER RING	TSE2571-5U	439236-01	1				
34	COLLAR	ABS	435269-01	2				
	T2 FLAT HEAD SCREW	SS, 4X16	7P22-0416	2				
35	SPRING	SS	435825-01	1				
36	VINYL HOSE	L=670	7716-2025	1				
37	VINYL HOSE	L=190	7716-2025	1				
38	TEE	EPDM	4A0177-01	1				
39	FLANGE	EPDM	439267-01	1				
40	SILICONE HOSE	L=80	773013812	2				
41	BYPASS HOSE	EPDM	439265-01	1				
42	CORNER INSULATION (A)	PE FOAM	439376-01	1				
43	CORNER INSULATION (B)	PE FOAM	439392-01	1				
44	MALE ADAPTOR	(442137A01)	325826-01	2				
45	"O" RING		7611-P018	2				
46	BALL VALVE		439293-01	1				
47	VALVE HOLDER	GS	3A1178-01	1				
	FT SCREW	4X8	7F31-0408	3				



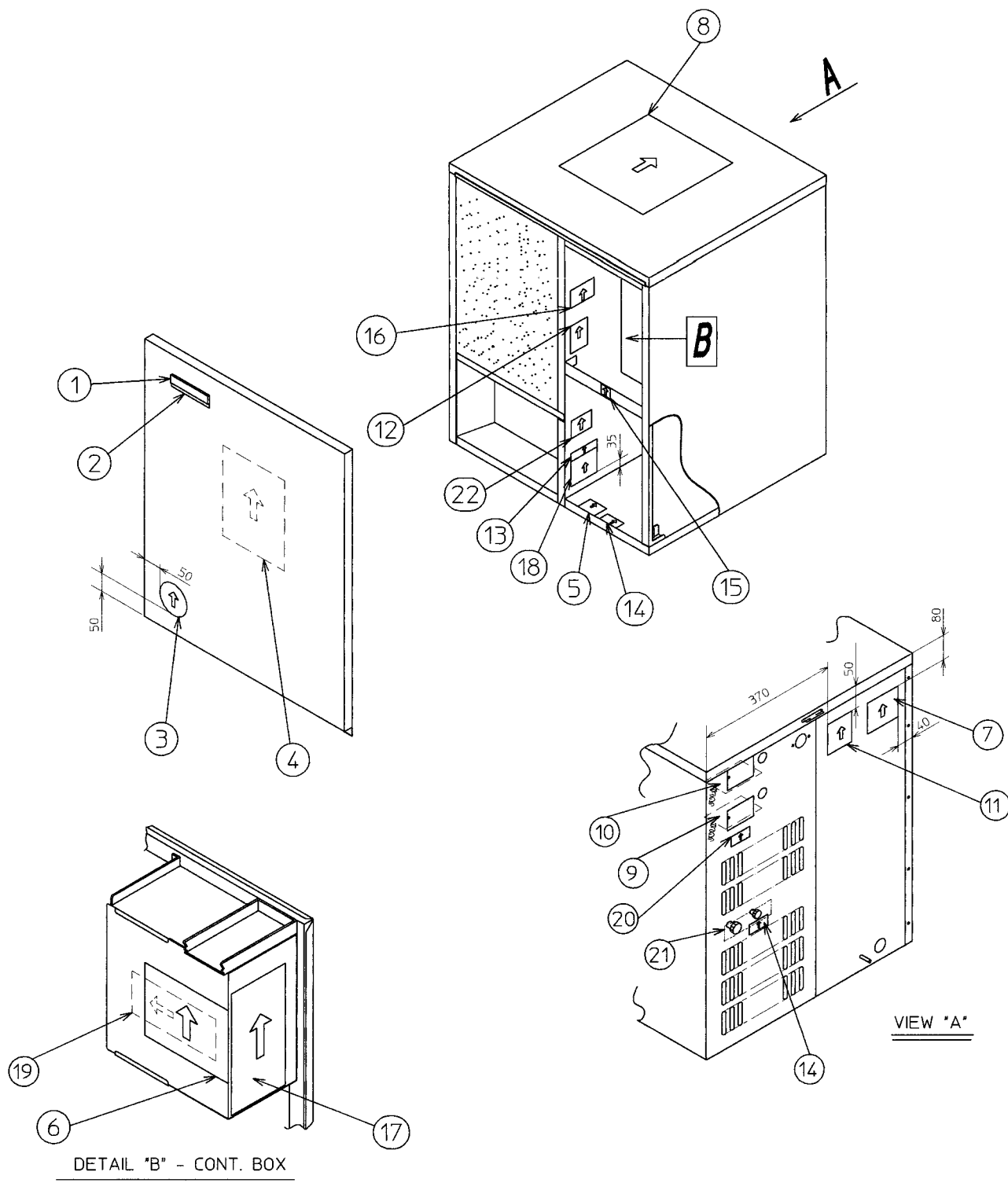
MODEL: KM-1300MAH, MWH, MRH TITLE: D. CONTROL BOX ASSEMBLY								
INDEX NO.	DESCRIPTION	MATERIAL OR MODEL NUMBER	PART NUMBER	REQUIRED NUMBER				
				L-0				
1	CAPACITOR - STARTING	145-174MFD, 250V	3A0076-01	1				
2	CAPACITOR	35MFD, 370V	3A2005-05	1				
3	STRAP	GS	4A2262-04	1				
4	T2 SCREW	4X8	7P31-0408	1				
5	STARTER	040-0001-20	4A1107-09	1				
6	T2 SCREW	4X8	7P31-0408	1				
7	MAGNETIC CONTACTOR	VC20	428393-01	1				
8	BRACKET	BW9154	428393F01	1				
9	T2 SCREW	4X8	7P31-0408	2				
10	CAPACITOR	10MFD, 250V	443192-01	1				
11	T2 SCREW	4X10	7P31-0410	1				
12	TRANSFORMER	26D285H	3A0172-01	1				
13	T2 SCREW	4X8	7P31-0408	2				
14	CONTROLLER BOARD	-	2A1410-01	1				
15	BOARD SUPPORT	CBLS37-M	4A0336-03	4				
16	CONTROL LABEL		4A1758-01	1				
17	THERMOSTAT	A30-3842-00	4A0824-02	1				
18	TRUSS HEAD SCREW	4X6	7C31-0406	2				
19	TOGGLE SWITCH	8966K84	443119-01	1				
20	3P PLUG HOUSING	3191-03P	412832-06	1				
21	2P PLUG HOUSING	3191-02P (RED)	412832-09	1				
22	3P RECEPTACLE HOUSING	3191-03R1	412831-06	1				
23	2P RECEPTACLE HOUSING	3191-02R1 (RED)	412831-09	1				
24	BUSHING	SB-1093-15	420470-03	1				
25	BUSHING	OCB-500	428394-02	2				
26	BUSHING	SB-1093-13	420470-12	1				
27	CONTROL BOX	GS	2A1082G02	1				
28	BUSHING	OCB-875	428394-04	1				



MODEL: KM-1300MAH TITLE: E. LABEL LOCATION								
INDEX NO.	DESCRIPTION	MATERIAL OR MODEL NUMBER	PART NUMBER	REQUIRED NUMBER				
				L-0				
1	EMBLEM	-	4A0560-01	1				
2	MODEL NUMBER LABEL	PETP FILM	4A2356-48	1				
3	LABEL - PENGUIN (R)	PETP FILM	4A0526-01	1				
4	LABEL - AIR FILTER	PETP FILM	426177-01	1				
5	MAINTENANCE LABEL	PVC FILM	325975-01	1				
6	CAUTION LABEL (F)	PVC FILM	439146-01	1				
7	CAUTION LABEL (K)	PVC FILM	439150-01	1				
8	WIRING LABEL	PVC FILM	3A1483-01	1				
9	NAMEPLATE	PES FILM	4A2442-01	1				
10	INSTRUCTION SHEET	PAPER	2A2162-01	1				
11	TAG - WARNING: ELECTRICAL CONNECTION	PAPER	428430-01	1				
12	INSTRUCTION LABEL	PVC FILM	444575-01	1				
13	MANUAL LABEL - BIN CONTROL	PVC FILM	322846-01	1				
14	LABEL - R404A	PES FILM	4A0960-01	1				
15	CAUTION LABEL	PVC FILM	436198-01	1				
16	OPERATION LABEL - VALVE	PVC FILM	439541-01	1				
17	MANUAL LABEL	PVC FILM	324476-01	1				
18	RATING LABEL	-	4A2451-01	1				
19	LABEL - CONTROL BOARD	-	3A1272-01	1				



MODEL: KM-1300MWH TITLE: E. LABEL LOCATION								
INDEX NO.	DESCRIPTION	MATERIAL OR MODEL NUMBER	PART NUMBER	REQUIRED NUMBER				
				L-0				
1	EMBLEM	-	4A0560-01	1				
2	MODEL NUMBER LABEL	PETP FILM	4A2356-49	1				
3	LABEL - PENGUIN (R)	PETP FILM	4A0526-01	1				
4	MAINTENANCE LABEL	PVC FILM	325975-01	1				
5	CAUTION LABEL (K)	PVC FILM	439150-01	1				
6	WIRING LABEL	PVC FILM	3A1483-01	1				
7	NAMEPLATE	PES FILM	4A2443-01	1				
8	INSTRUCTION SHEET	PAPER	2A2162-01	1				
9	TAG - WARNING: ELECTRICAL CONNECTION	PAPER	428430-01	1				
10	INSTRUCTION LABEL	PVC FILM	444575-01	1				
11	MANUAL LABEL - BIN CONTROL	PVC FILM	322846-01	1				
12	LABEL - R404A	PES FILM	4A0960-01	1				
13	CAUTION LABEL	PVC FILM	436198-01	1				
14	OPERATION LABEL - VALVE	PVC FILM	439541-01	1				
15	MANUAL LABEL	PVC FILM	324476-01	1				
16	RATING LABEL	-	4A2452-01	1				
17	LABEL - CONTROL BOARD	-	3A1272-01	1				



MODEL: KM-1300MRH TITLE: E. LABEL LOCATION								
INDEX NO.	DESCRIPTION	MATERIAL OR MODEL NUMBER	PART NUMBER	REQUIRED NUMBER				
				L-0				
1	EMBLEM	-	4A0560-01	1				
2	MODEL NUMBER LABEL	PETP FILM	4A2356-50	1				
3	LABEL - PENGUIN (R)	PETP FILM	4A0526-01	1				
4	MAINTENANCE LABEL	PVC FILM	325975-01	1				
5	CAUTION LABEL (K)	PVC FILM	439150-01	1				
6	WIRING LABEL	PVC FILM	3A0967-01	1				
7	NAMEPLATE	PES FILM	4A2444-01	1				
8	INSTRUCTION SHEET	PAPER	2A2162-01	1				
9	TAG - FAN MOTOR LEADS	-	4A1494-01					
10	TAG - WARNING: ELECTRICAL CONNECTION	PAPER	428430-01	1				
11	INSTRUCTION LABEL	PVC FILM	444575-01	1				
12	MANUAL LABEL - BIN CONTROL	PVC FILM	322846-01	1				
13	LABEL CHARGE	PES FILM	4A1399-08	1				
14	LABEL - R404A		4A0960-01	2				
15	CAUTION LABEL	PVC FILM	436198-01	1				
16	OPERATION LABEL - VALVE	PVC FILM	439541-01	1				
17	MANUAL LABEL	PVC FILM	324476-01	1				
18	RATING LABEL	-	4A2453-01	1				
19	LABEL - CONTROL BOARD	-	3A1272-01	1				
20	CAUTION - REMOTE LABEL	-	4A1491-01	1				
21	CAUTION TAPE - 404A	L=250	4A1535L01	1				
22	CAUTION LABEL (H)	-	439148-01	1				

