

NO. 71187

ISSUED: JUNE 24, 2001

REVISED: JULY 29, 2003



**HOSHIZAKI  
MODULAR CRESCENT CUBER**

**MODEL**

**KM-1300MAH**

**KM-1300MWH**

**KM-1300MRH**

**PARTS LIST**

**KM-1300MAH**                      L-0    April 2001

**KM-1300MWH**                      L-0    June 2001

**KM-1300MRH**                      L-0    April 2001

## MATERIAL ABBREVIATIONS

### ALUMINUM

AL = Aluminum

### COPPER

CU = Copper

### PLASTIC

ABS = Acrylonitrile -butadiene - styrene  
 AC = Polyacetal  
 EVA = Ethylene vinyl acetate  
 PA = Polyamide = Nylon  
 PC = Polycarbonate  
 PE = Polyethylene  
 PES = Polyester  
 PETP = Polyethylene terephthalate = Tetlon  
 PP = Polypropylene  
 PS = Polystyrene  
 PTFE = Polytetrafluoroethylene = Teflon  
 PUR = Polyurethane  
 PVC = Polyvinyl chloride

### RUBBER

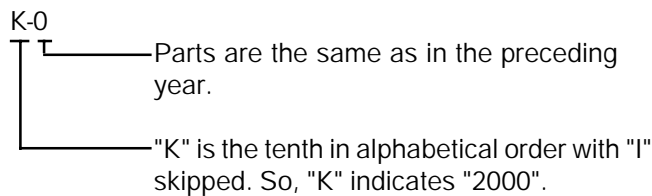
VN = Vinyl Nitrile  
 EPDM = EP rubber  
 NBR = Nitrile butadiene rubber  
 NR = Natural rubber  
 NP = Neoprene  
 SI.R = Silicone rubber  
 SY.R = Synthetic rubber  
 EPH = Epichlorohydrin

### STEEL

G.S = Galvanized steel  
 S.S = Stainless steel  
 PS = Plated steel  
 PAS = Primed steel

## AUXILIARY CODE

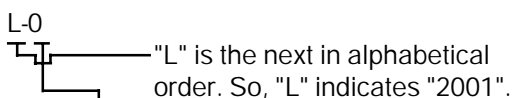
Ex.1



**(Note)** - = Part deleted.

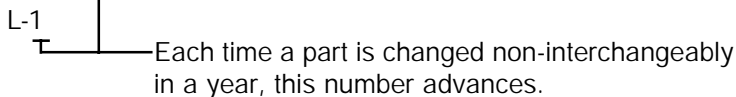
x = Part deleted and replaced by "o" (interchangeable) part.

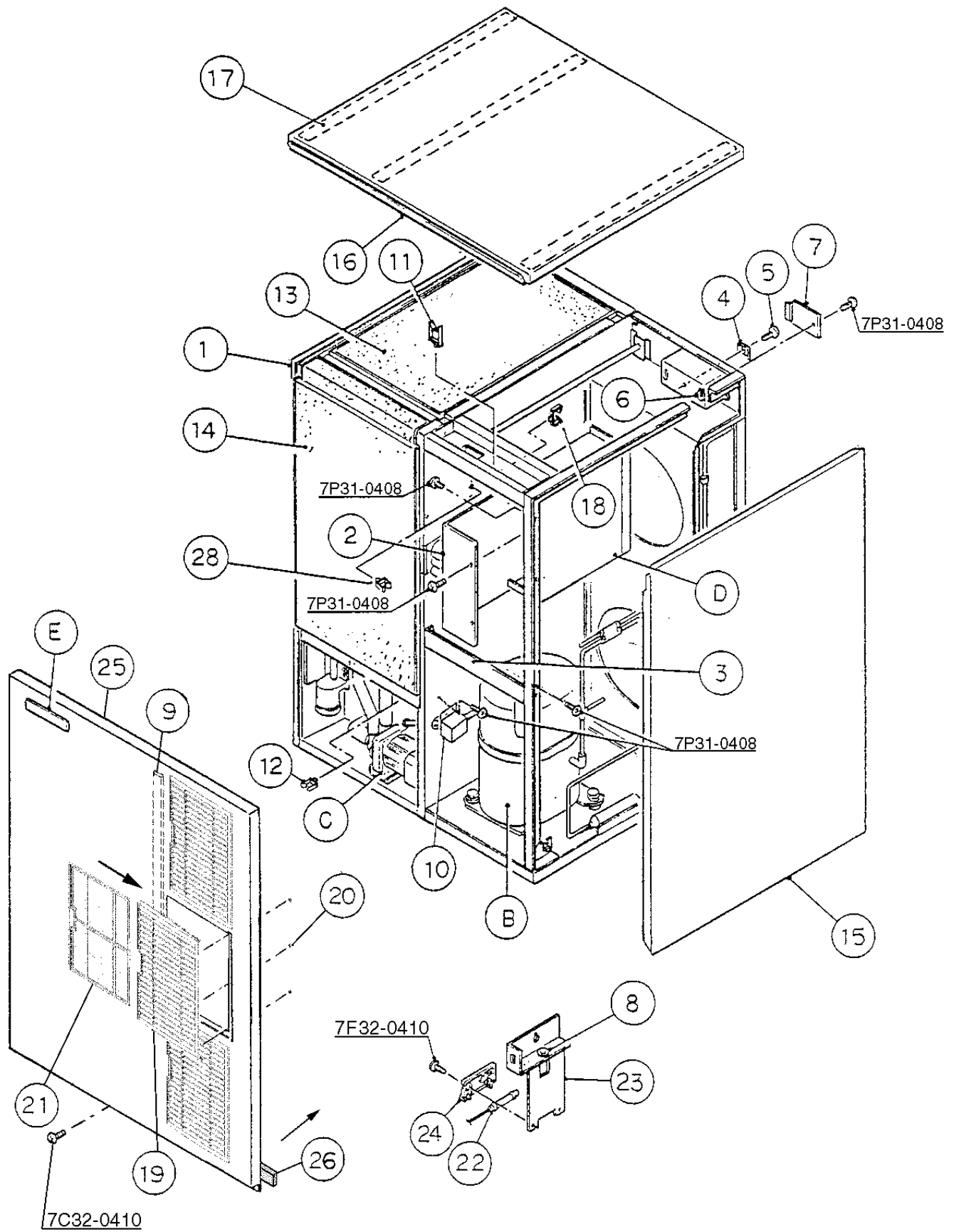
Ex.2



o = New part for "x" in the same auxiliary code.

Ex.3

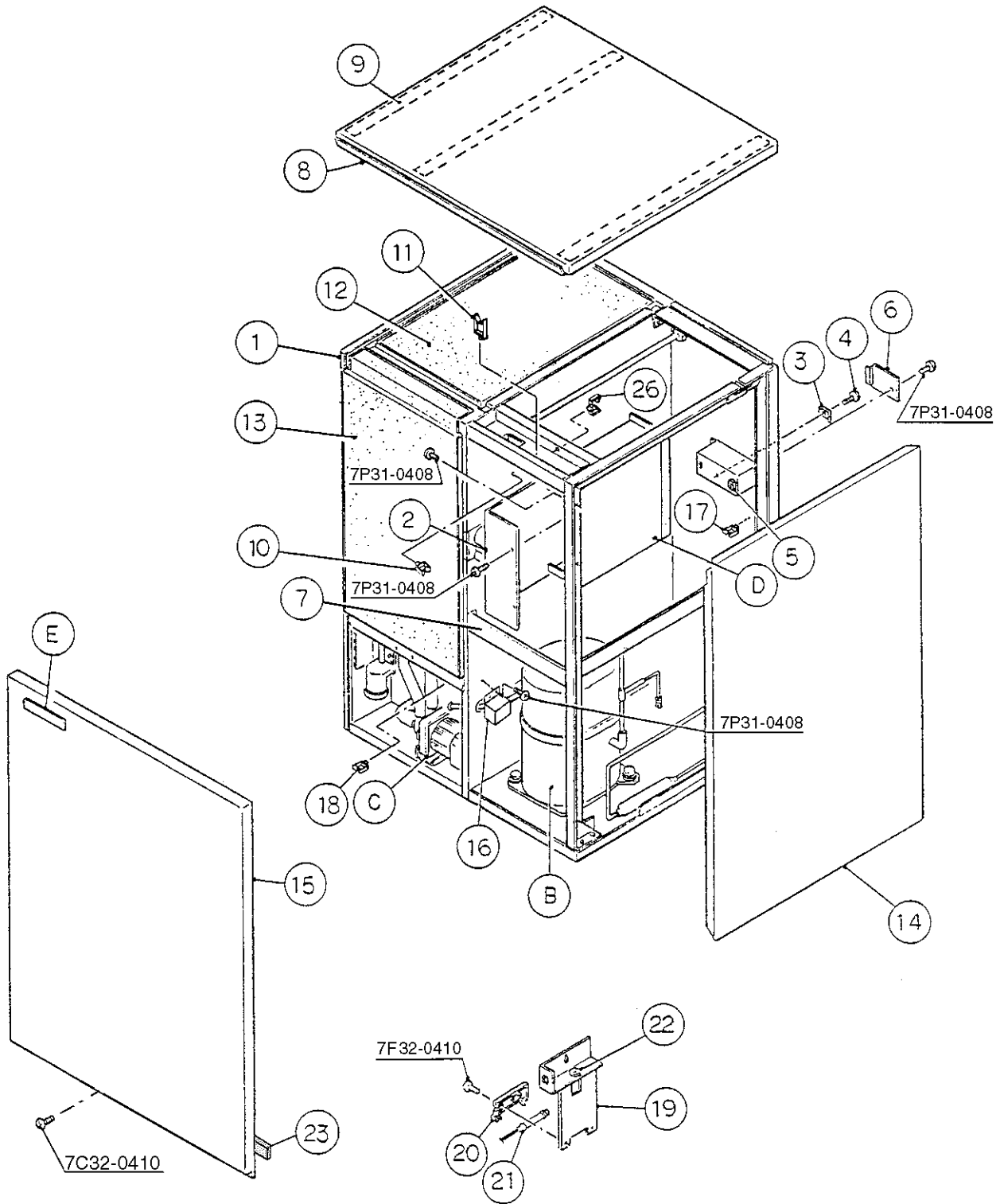




MODEL: <b>KM-1300MAH</b> TITLE: <b>A. ICE CUBER ASSEMBLY</b>								
INDEX NO.	DESCRIPTION	MATERIAL OR MODEL NUMBER	PART NUMBER	REQUIRED NUMBER				
				L-0				
B	REFRIGERATION CIRCUIT	-	1A0462A01	1				
C	WATER CIRCUIT	HS-1201	1A0094A04	1				
D	CONTROL BOX ASSEMBLY	-	2A2287A01	1				
	T2 SCREW	4X8	7P31-0408	3				
E	LABEL LOCATION	-	2A2167A01	1				
1	EVAPORATOR CASE	-	1A0602G01	1				
2	CONTROL BOX COVER	GS	3A0174-01	1				
	T2 SCREW	4X8	7P31-0408	2				
3	FRAME (F)	-	324093-01	1				
	T2 SCREW	4X8	7P31-0408	4				
4	SQUARE WASHER	BRASS	433537-02	1				
5	SCREW - GROUNDING	BRASS	433304-02	1				
6	BUSHING	SR-34-2	420472-05	1				
7	JUNCTION BOX COVER	GS	433410-01	1				
	T2 SCREW	4X8	7P31-0408	1				
8	BUSHING	-	425307-01	1				
9	FOAM SEAL	-	4A0661L01	1				
10	BARRIER	-	3A0235-01	1				
	T2 SCREW	4X8	7P31-0408	2				
11	WIRE SADDLE	-	4A0338-01	2				
12	WIRE SADDLE	-	4A0338-02	1				
13	TOP INSULATION	ABS, PE	322714G01	1				
14	FRONT INSULATION	ABS, PE	322711G01	1				
15	SIDE PANEL (R)	SS	2A2165G01	1				
16	TOP PANEL	3A1941A01, SS	2A2163-01	1				
17	GASKET	3A1941A01, PVC	427014-04	3				
18	WIRE SADDLE	-	4A0338-03	5				
19	LOUVER (A)	ABS	1A0547-01	3				

H A

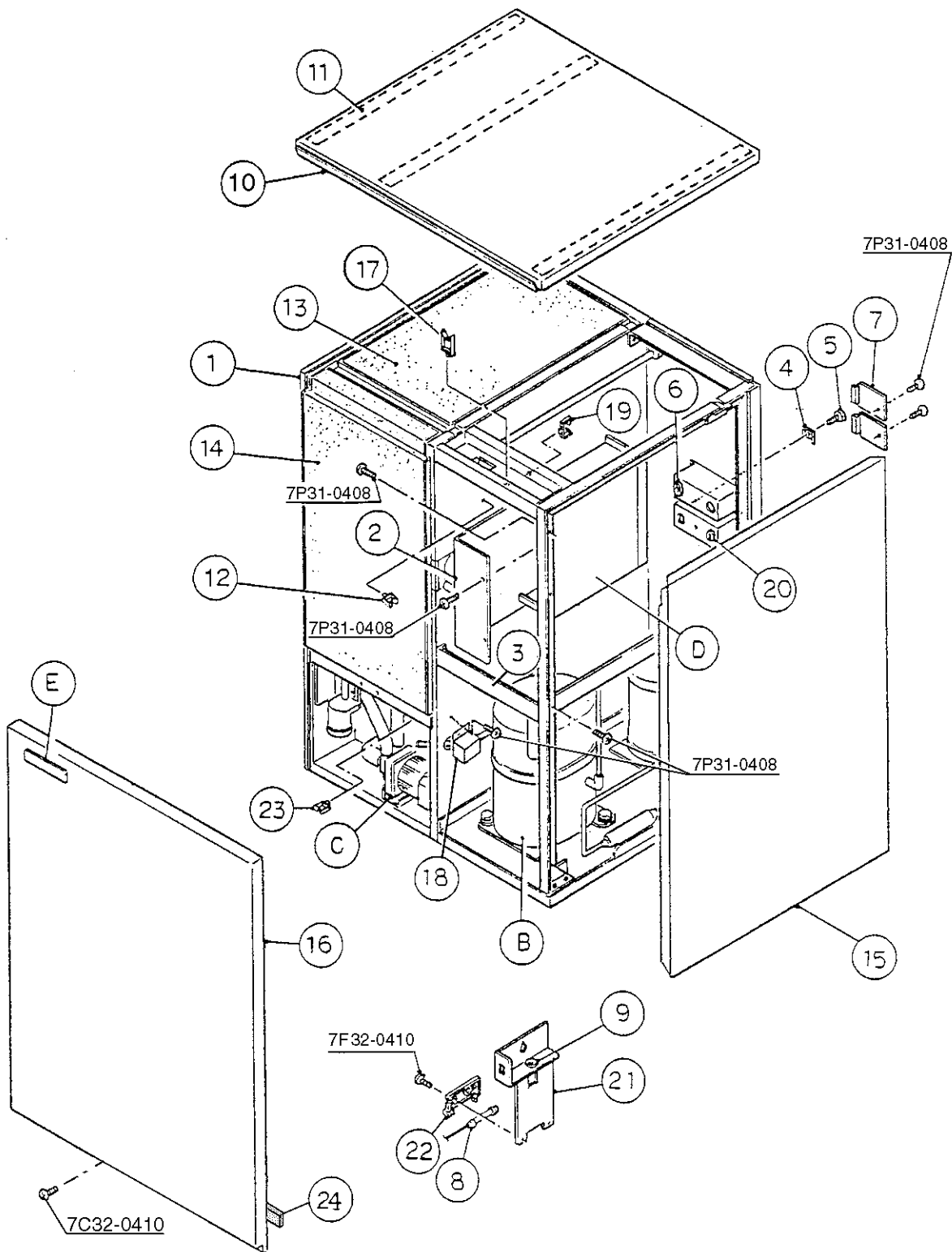
MODEL: <b>KM-1300MAH</b> TITLE: <b>A. ICE CUBER ASSEMBLY</b>								
INDEX NO.	DESCRIPTION	MATERIAL OR MODEL NUMBER	PART NUMBER	REQUIRED NUMBER				
				L-0				
20	PUSH RETAINER	-	4A2414-01	9				
21	AIR FILTER (A)	ABS	2A2062G01	3				
22	SPACER	PE	443545-01	1				
	FT SCREW	SS, 4X10	7F32-0410	2				
23	BULB HOLDER		322815G02	1				
24	BULB HOLDER		328919-01	1				
25	FRONT PANEL	SS	2A2164-01	1				
	TRUSS HEAD SCREW	4X8, SS	7C32-0408	1				
26	GASKET	L=762	4A0808L02	1				



MODEL: <b>KM-1300MWH</b> TITLE: <b>A. ICE CUBER ASSEMBLY</b>								
INDEX NO.	DESCRIPTION	MATERIAL OR MODEL NUMBER	PART NUMBER	REQUIRED NUMBER				
				L-0				
B	REFRIGERATION CIRCUIT	-	1A0463A01	1				
C	WATER CIRCUIT	HS-1201	1A0094A04	1				
D	CONTROL BOX ASSEMBLY	-	2A2287A01	1				
	T2 SCREW	4X8	7P31-0408	3				
E	LABEL LOCATION	-	2A2168A01	1				
1	EVAP. CASE	HS-1016	1A0602G01	1				
2	CONTROL BOX COVER	GS	3A0174-01	1				
	T2 SCREW	4X8	7P31-0408	2				
3	SQUARE WASHER	BRASS	433537-02	1				
4	SCREW - GROUNDING	BRASS	433304-02	1				
5	BUSHING	SR-34-2	420472-05	1				
6	JUNCTION BOX COVER	GS	433410-01	1				
	T2 SCREW	4X8	7P31-0408	1				
7	FRAME (F)	GS	324093-01	1				
	T2 SCREW	4X8	7P31-0408	4				
8	TOP PANEL	(3A1941A01), SS	2A2163-01	1				
9	GASKET	PVC	427014-04	3				
10	WIRE SADDLE	VWS4274-C	4A0338-03	5				
11	WIRE SADDLE	VWS4218-C	4A0338-01	1				
12	TOP INSULATION	ABS, PE	322714G01	1				
13	FRONT INSULATION	ABS,PE	322711G01	1				
14	SIDE PANEL (R)	SS	2A2165G01	1				
15	FRONT PANEL (A)	SS	2A2164-02	1				
	TRUSS HEAD SCREW	4X8, SS	7C32-0408	1				
16	BARRIER	GS	3A0235-01	1				
	T2 SCREW	4X8	7P31-0408	2				
17	WIRE SADDLE	VWS42105-C	4A0338-04	1				
18	WIRE SADDLE	VWS4238-C	4A0338-02	2				
19	BULB HOLDER	SS	322815G02	1				
20	BULB HOLDER	ABS	328919-01	1				

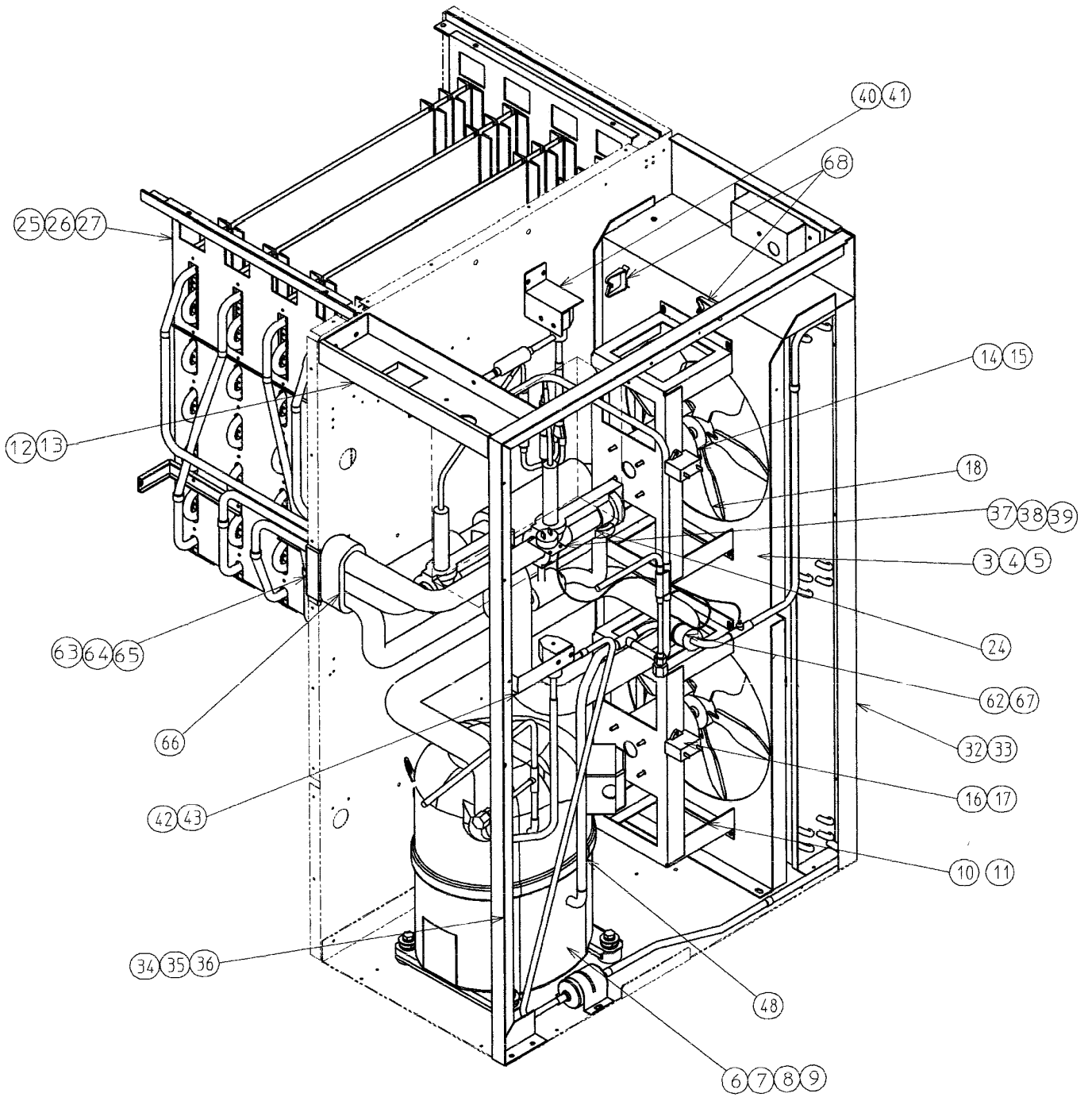


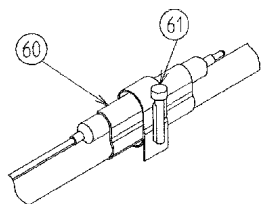
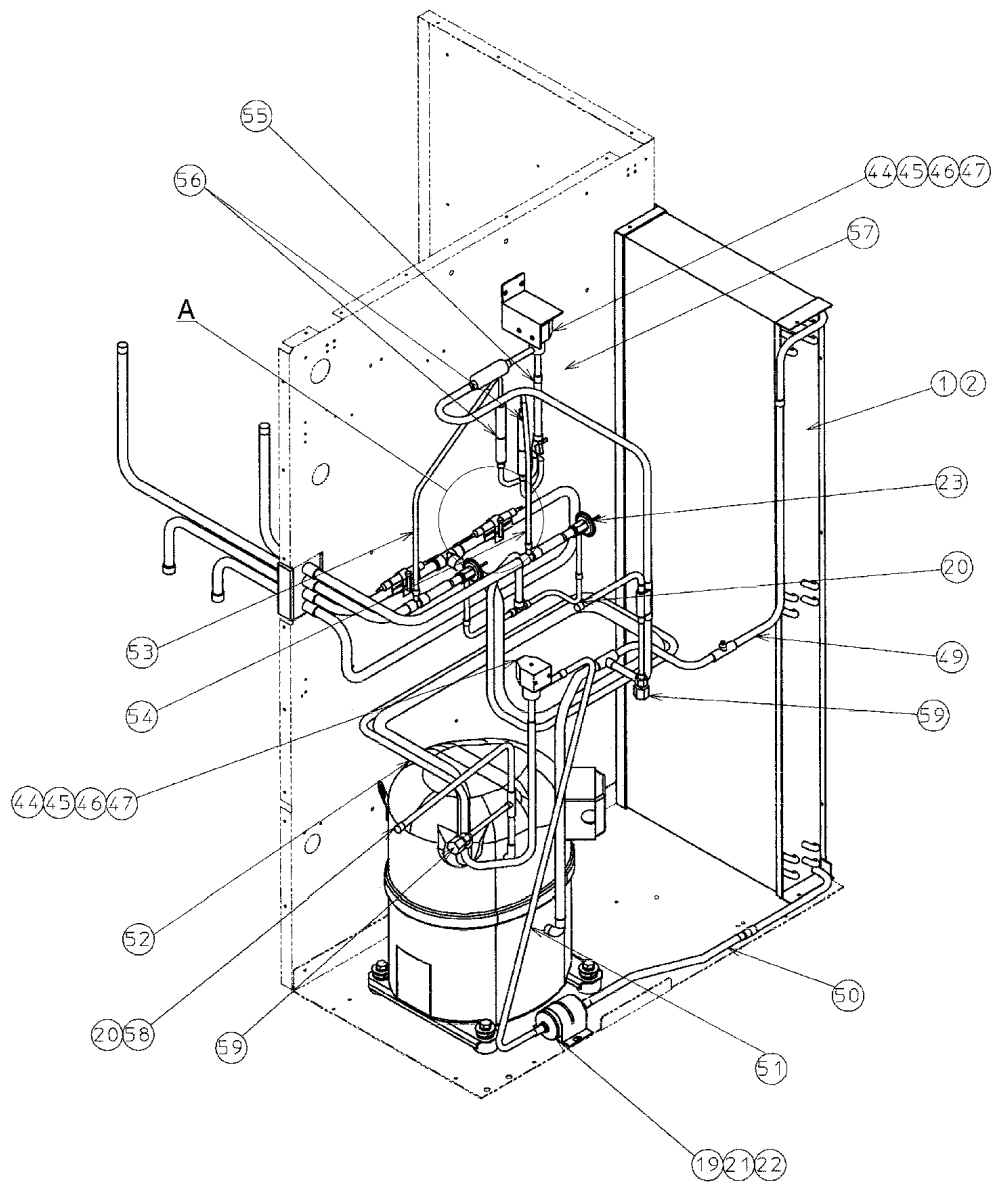




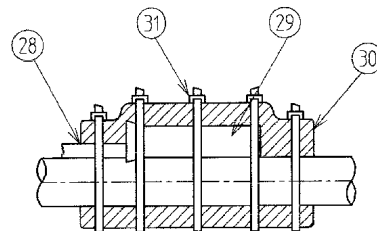
MODEL: KM-1300MRH TITLE: A. ICE CUBER ASSEMBLY								
INDEX NO.	DESCRIPTION	MATERIAL OR MODEL NUMBER	PART NUMBER	REQUIRED NUMBER				
				L-0				
B	REFRIGERATION CIRCUIT	-	1A0464A01	1				
C	WATER CIRCUIT	-	1A0094A04	1				
D	CONTROL BOX ASSEMBLY	-	2A2287A01	1				
	T2 SCREW	4X8	7P31-0408	3				
E	LABEL LOCATION	-	2A2169A01	1				
1	EVAP. CASE	-	1A0602G01	1				
2	CONTROL BOX COVER	GS	3A0174-01	1				
	T2 SCREW	4X8	7P31-0408	2				
3	FRAME (F)	GS	324093-01	1				
	T2 SCREW	4X8	7P31-0408	4				
4	SQUARE WASHER	BRASS	433537-02	2				
5	SCREW - GROUNDING	BRASS	433304-02	2				
6	BUSHING	SR-34-2	420472-05	1				
7	JUNCTION BOX COVER	GS	433410-01	2				
	T2 SCREW	4X8	7P31-0408	2				
8	SPACER	PE	443545-01	1				
	FT SCREW	4X10, SS	7F32-0410	2				
9	BUSHING	-	425307-01	1				
10	TOP PANEL	(3A1941A01), SS	2A2163-01	1				
11	GASKET	PVC	427014-04	3				
12	WIRE SADDLE	VWS4274-C	4A0338-03	5				
13	TOP INSULATION	ABS, PE	322714G01	1				
14	FRONT INSULATION	ABS,PE	322711G01	1				
15	SIDE PANEL (R)	SS	2A2165G01	1				
16	FRONT PANEL (A)	SS	2A2164-02	1				
	TRUSS HEAD SCREW	4X8, SS	7C32-0408	1				
17	WIRE SADDLE	VWS4218-C	4A0338-01	1				
18	BARRIER	GS	3A0235-01	1				
	T2 SCREW	4X8	7P31-0408	2				
19	WIRE SADDLE	VWS42105-C	4A0338-04	1				







Detail A



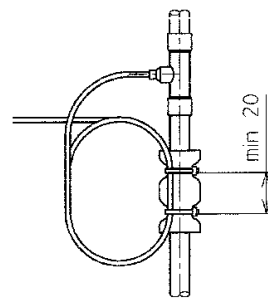
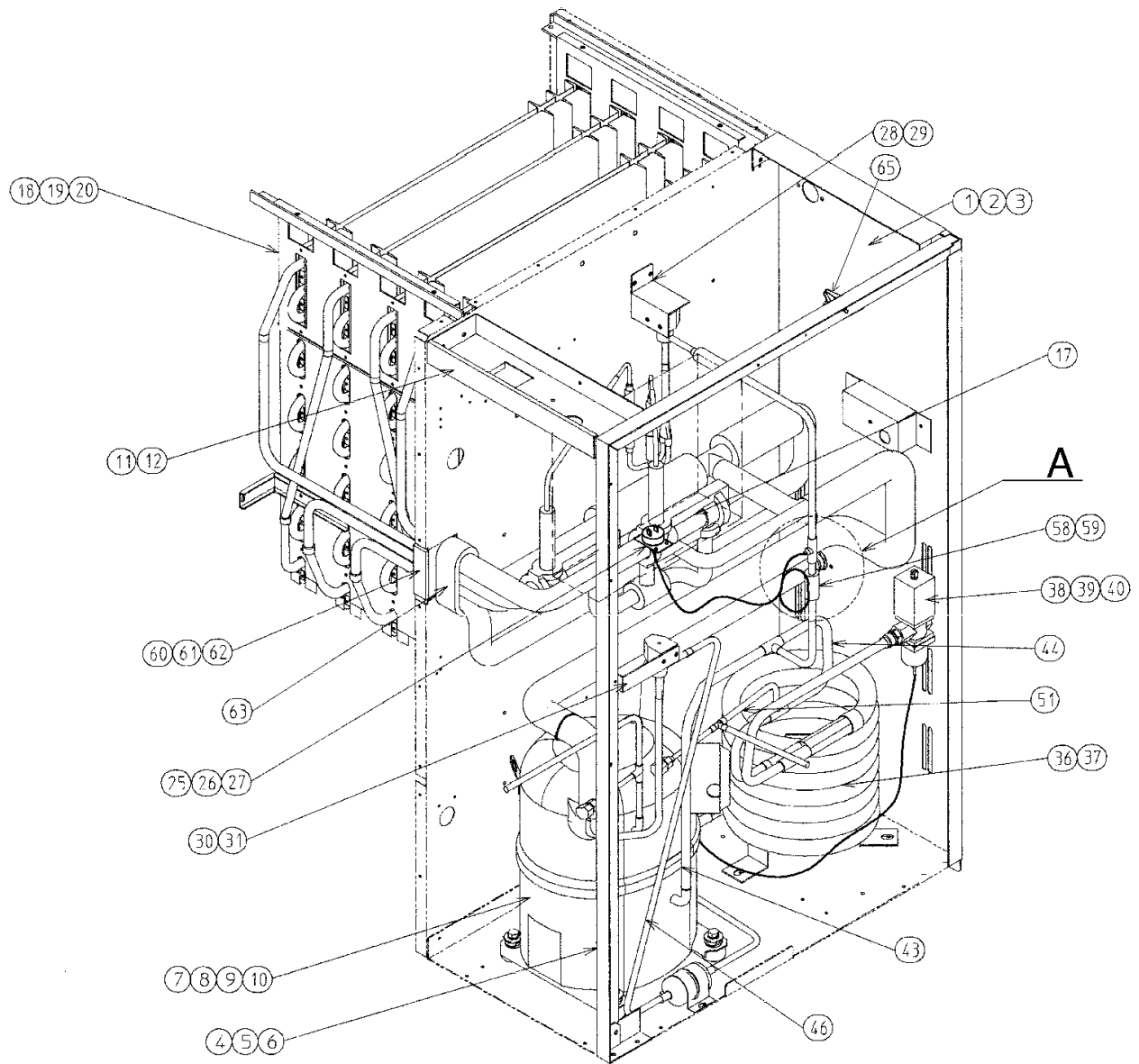
Detailed Thermistor Attachment

MODEL: <b>KM-1300MAH</b> TITLE: <b>B. REFRIGERATION CIRCUIT</b>								
INDEX NO.	DESCRIPTION	MATERIAL OR MODEL NUMBER	PART NUMBER	REQUIRED NUMBER				
				L-0				
1	CONDENSER	-	<a href="#">212589-01</a>	1				
2	T2 SCREW	4X8	<a href="#">7P31-0408</a>	4				
3	SHROUD	GS	<a href="#">212666G07</a>	1				
4	T2 SCREW	4X8	<a href="#">7P31-0408</a>	4				
5	TRUSS HEAD SCREW	5X8	<a href="#">7C31-0508</a>	1				
6	COMPRESSOR	CS14K6E-PFV	4A1412-01	1				
7	BOLT	8x45	<a href="#">437889-01</a>	4				
8	GROMMET	027-0167-00	<a href="#">434922-01</a>	4				
9	SPACER	028-0188-02	<a href="#">434921-01</a>	4				
10	FAN MOTOR BRACKET	GS	<a href="#">2A0181-01</a>	2				
11	HEX HEAD BOLT W/WASHER (LF)	5X10	<a href="#">7B0230510</a>	8				
12	FRAME (C)	-	<a href="#">3A0347-01</a>	1				
13	T2 SCREW	4X8	<a href="#">7P31-0408</a>	2				
14	FAN MOTOR	U90B1, 7190-1031	440911-01	2				
15	SELF-LOCKING NUT	No. 8-32	<a href="#">7N21I0832</a>	8				
16	CAPACITOR	5MFD, 250V	<a href="#">443192-02</a>	2				
17	T2 SCREW	4X8	<a href="#">7P31-0408</a>	2				
18	FAN BLADE	AD10CW32	<a href="#">444898-01</a>	2				
19	DRIER	CW-0325-S	4A1413-01	1				
20	ENDCAP	-	4A1413F01	2				
21	DRIER BRACKET	-	<a href="#">4A0807-01</a>	1				
22	T2 SCREW	4X8	<a href="#">7P31-0408</a>	2				
23	EXPANSION VALVE	HFE-10NHD-2	<a href="#">4A1414-01</a>	2				
24	EXP. VALVE COVER	PE FOAM	<a href="#">3A0944-01</a>	2				
25	EVAPORATOR	-	<a href="#">104442G01</a>	1				
26	TRUSS HEAD SCREW	SS, 4X8	<a href="#">7C32-0408</a>	4				
27	T2 SCREW	SS, 4X8	<a href="#">7P31-0408</a>	2				

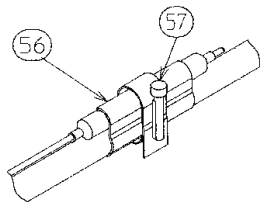
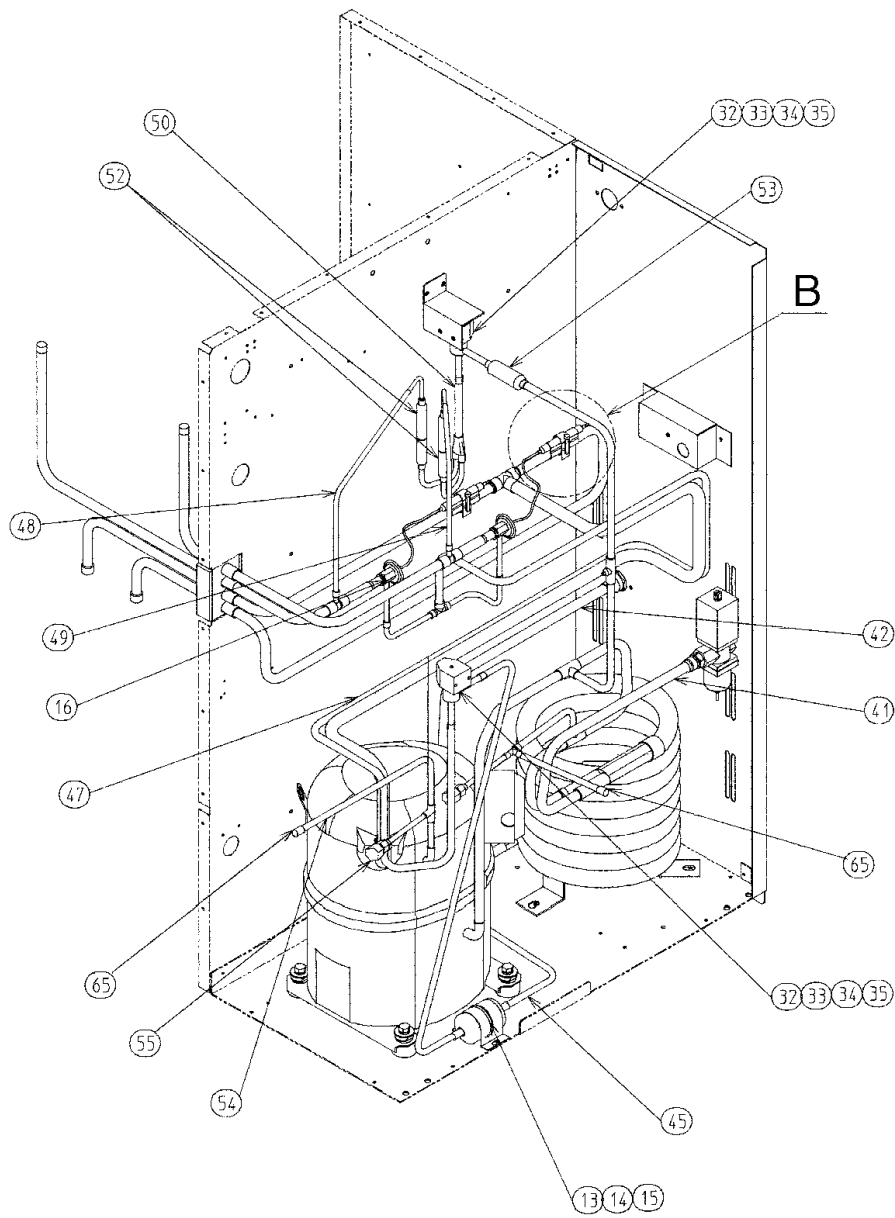
MODEL: <b>KM-1300MAH</b> TITLE: <b>B. REFRIGERATION CIRCUIT</b>								
INDEX NO.	DESCRIPTION	MATERIAL OR MODEL NUMBER	PART NUMBER	REQUIRED NUMBER				
				L-0				
28	THERMISTOR	-	429006-03	1				
29	HOLDER - THERMISTOR	COPPER	438247-01	1				
30	INSULATION - THERMISTOR	PE FOAM	427441-01	1				
31	TIE	CV-200	7920-0010	3				
32	BARRIER (B)	GS	435056-01	1				
33	T2 SCREW	4X8	7P31-0408	3				
34	FRAME	-	3A0350G01	1				
35	FT SCREW	SS, 4X8	7F32-0408	4				
36	T2 SCREW	4X8	7P31-0408	2				
37	PRESSURE SWITCH	ACB-1UB09	433441-07	1				
38	PRESSURE SWITCH BRACKET	GS	434938-01	1				
39	T2 SCREW	4X8	7P31-0408	1				
40	HOT GAS VALVE BRACKET	GS	444816-01	1				
41	T2 SCREW	4X8	7P31-0408	2				
42	LINE VALVE BRACKET	GS	4A1544-01	1				
43	T2 SCREW	4X8	7P31-0408	2				
44	VALVE BODY	70	440352-01	2				
45	COIL - VALVE	ABS-25-1-HD-2	440353-01	2				
46	BOLT	4x6	440353F01	2				
47	TRUSS HEAD SCREW	4X8	7C31-0408	4				
48	COPPER TUBE (A) – HIGH SIDE	COPPER	2A1663G01	1				
49	COPPER TUBE (B) – HIGH SIDE	COPPER	2A1665G01	1				
50	COPPER TUBE (C) – HIGH SIDE	COPPER	3A1491-01	1				
51	COPPER TUBE – LINE VALVE	COPPER	4A1994-01	1				
52	HEAT EXCHANGER	-	1A0479G01	1				
53	COPPER TUBE (L) – LOW SIDE	COPPER	2A1666G01	1				
54	COPPER TUBE (R) – LOW SIDE	COPPER	2A1667G01	1				



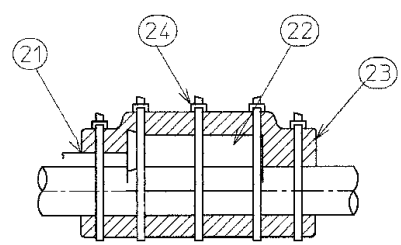
MODEL: <b>KM-1300MAH</b> TITLE: <b>B. REFRIGERATION CIRCUIT</b>								
INDEX NO.	DESCRIPTION	MATERIAL OR MODEL NUMBER	PART NUMBER	REQUIRED NUMBER				
				L-0				
55	COPPER TUBE - HOT GAS	COPPER	<a href="#">3A0213G01</a>	1				
56	CHECK VALVE	SKC 30564	<a href="#">4A1373-01</a>	2				
57	STRAINER	-	<a href="#">441569-02</a>	1				
58	COPPER TUBE – ACCESS VALVE	COPPER	<a href="#">3A1518G01</a>	1				
59	ACCESS VALVE	-	<a href="#">457729-01</a>	2				
60	HOLDER/EXP. VALVE – 3/8	-	<a href="#">3A0107-01</a>	2				
61	CLAMP	-	<a href="#">443461-02</a>	2				
62	CABLE TIE	CV-200	<a href="#">7920-0010</a>	12				
63	INSULATED RUBBER TUBE	-	<a href="#">323975G01</a>	1				
64	INSULATION HOLDER	-	<a href="#">3A0979-01</a>	1				
65	T2 SCREW	SS, 4X8	<a href="#">7P32-0408</a>	2				
66	INSULATION	-	<a href="#">436671-01</a>	1				
67	INSULATION TUBE	L=40	<a href="#">7762-1020</a>	1				
68	CLAMP	-	<a href="#">4A2338-01</a>	2				



Detail A



Detail B

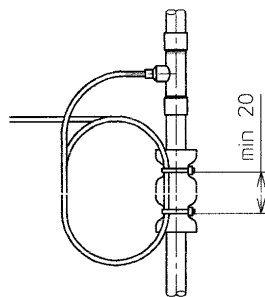
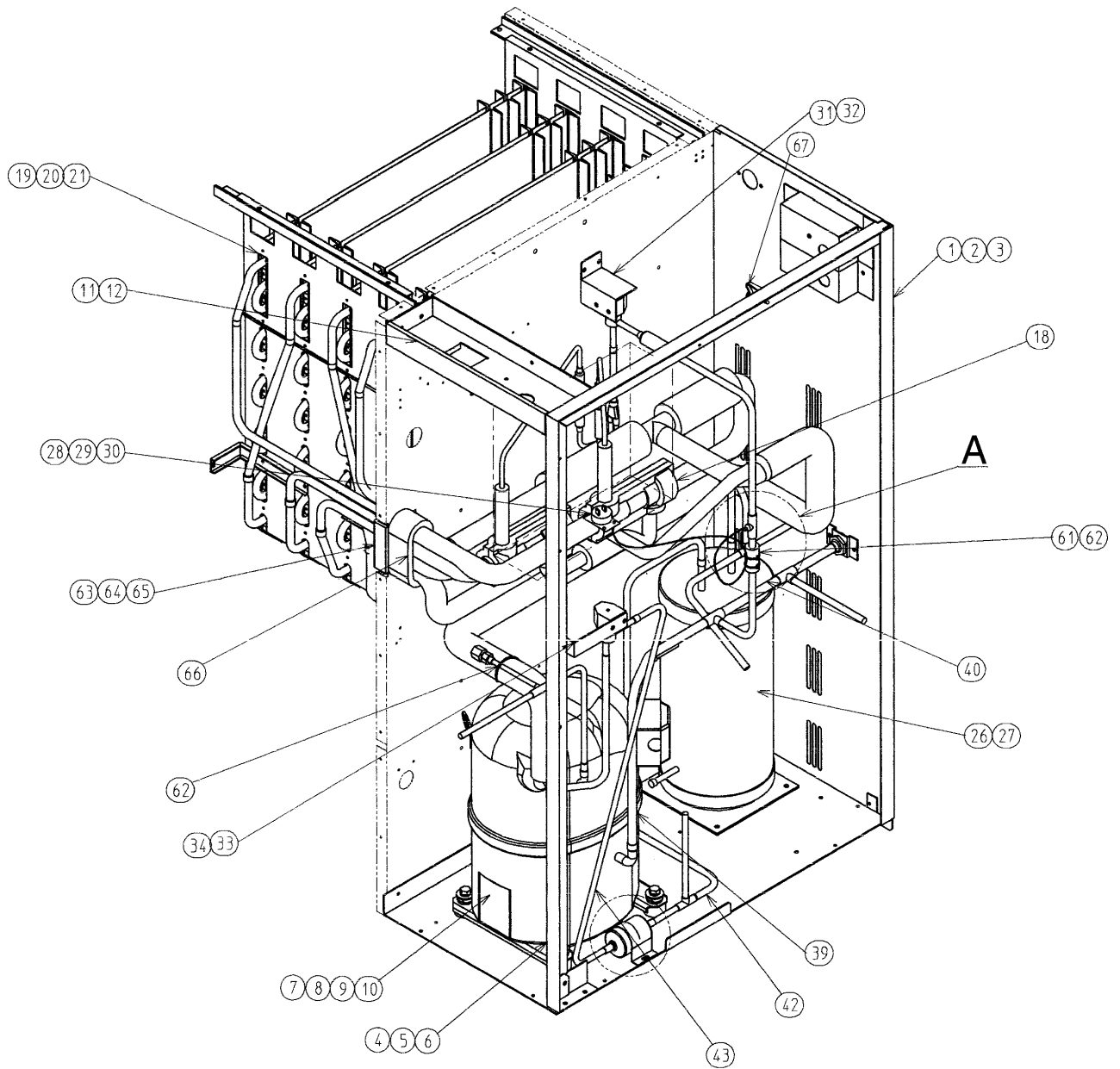


Detailed Thermistor Attachment

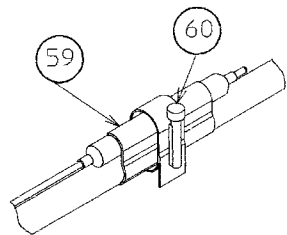
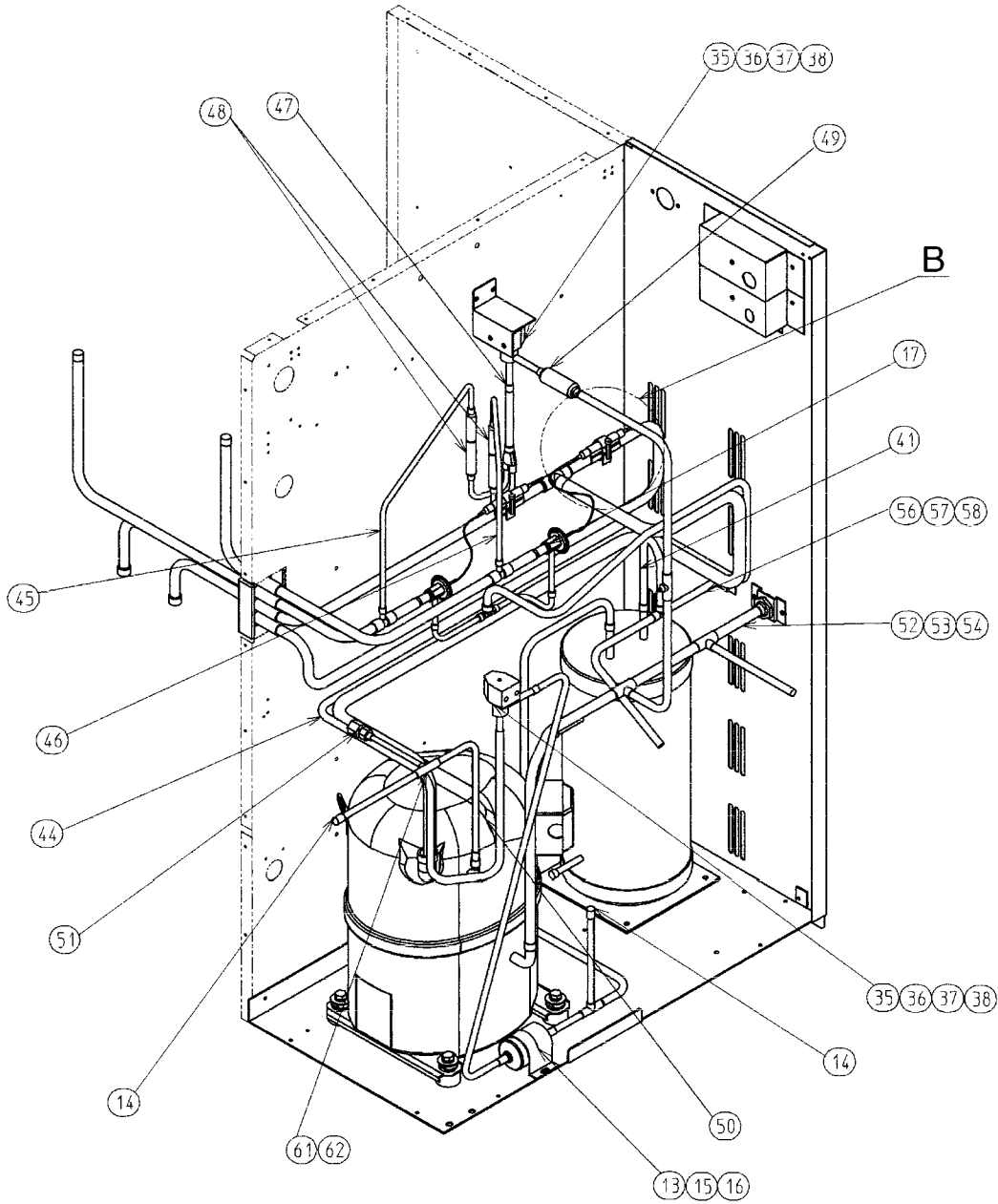
MODEL: <b>KM-1300MWH</b> TITLE: <b>B. REFRIGERATION CIRCUIT</b>								
INDEX NO.	DESCRIPTION	MATERIAL OR MODEL NUMBER	PART NUMBER	REQUIRED NUMBER				
				L-0				
1	REAR PANEL	-	<a href="#">3A1485G01</a>	1				
2	FT SCREW	SS, 4X8	<a href="#">7F32-0408</a>	2				
3	T2 SCREW	4X8	<a href="#">7P31-0408</a>	5				
4	FRAME	-	<a href="#">3A0350G01</a>	1				
5	FT SCREW	SS, 4X8	<a href="#">7F32-0408</a>	4				
6	T2 SCREW	4X8	<a href="#">7P31-0408</a>	2				
7	COMPRESSOR	CS14K6E-PFV	4A1412-01	1				
8	BOLT	8x45	<a href="#">437889-01</a>	4				
9	GROMMET	027-0167-00	<a href="#">434922-01</a>	4				
10	SPACER	028-0188-02	<a href="#">434921-01</a>	4				
11	FRAME (C)	-	<a href="#">3A0347-01</a>	1				
12	T2 SCREW	4X8	<a href="#">7P31-0408</a>	2				
13	DRIER	CW-0325-S	4A1413-01	1				
14	DRIER BRACKET	-	<a href="#">4A0807-01</a>	1				
15	T2 SCREW	4X8	<a href="#">7P31-0408</a>	2				
16	EXPANSION VALVE	HFE-10NHD-2	<a href="#">4A1414-01</a>	2				
17	EXP. VALVE COVER	PE FOAM	<a href="#">3A0944-01</a>	1				
18	EVAPORATOR	-	<a href="#">104442G01</a>	1				
19	TRUSS HEAD SCREW	SS, 4X8	<a href="#">7C32-0408</a>	4				
20	T2 SCREW	SS, 4X8	<a href="#">7P31-0408</a>	2				
21	THERMISTOR	-	<a href="#">429006-03</a>	1				
22	HOLDER - THERMISTOR	COPPER	<a href="#">438247-01</a>	1				
23	INSULATION - THERMISTOR	PE FOAM	<a href="#">427441-01</a>	1				
24	CABLE TIE	CV-200	<a href="#">7920-0010</a>	3				
25	PRESSURE SWITCH	ACB-2UB04	<a href="#">433441-05</a>	1				
26	PRESSURE SWITCH BRACKET	GS	<a href="#">434938-01</a>	1				
27	T2 SCREW	4X8	<a href="#">7P31-0408</a>	1				
28	HOT GAS VALVE BRACKET	GS	<a href="#">444816-01</a>	1				
29	T2 SCREW	4X8	<a href="#">7P31-0408</a>	2				

MODEL: <b>KM-1300MWH</b> TITLE: <b>B. REFRIGERATION CIRCUIT</b>								
INDEX NO.	DESCRIPTION	MATERIAL OR MODEL NUMBER	PART NUMBER	REQUIRED NUMBER				
				L-0				
30	LINE VALVE BRACKET	-	4A1544-01	1				
31	T2 SCREW	4X8	7P31-0408	2				
32	VALVE BODY	70	440352-01	2				
33	COIL - VALVE	ABS-25-1-HD-2	440353-01	2				
34	BOLT	-	440353F01	2				
35	TRUSS HEAD SCREW	4X8	7C31-0408	4				
36	CONDENSER	-	4A1656-02	1				
37	HEX HEAD BOLT W/WASHER (LF)	5X12	7B0230512	3				
38	WATER REGULATOR	V46DA-3	4A0911-03	1				
39	TRUSS HEAD SCREW	4X6	7C31-0406	2				
40	MALE CONNECTOR	-	4A1087-01	1				
41	COPPER TUBE (A)	COPPER	4A1991G01	1				
42	COPPER TUBE (B)	COPPER	3A1473G01	1				
43	COPPER TUBE (A) – HIGH SIDE	COPPER	2A1692G01	1				
44	COPPER TUBE (B) – HIGH SIDE	COPPER	4A1993G01	1				
45	COPPER TUBE (C) – HIGH SIDE	COPPER	3A1475G01	1				
46	COPPER TUBE - LINE VALVE	COPPER	4A1994-01	1				
47	HEAT EXCHANGER	-	1A0475G01	1				
48	COPPER TUBE (L) - LOW SIDE	COPPER	2A1666G01	1				
49	COPPER TUBE (R) - LOW SIDE	COPPER	2A1667G01	1				
50	COPPER TUBE - HOT GAS	COPPER	3A0213G01	1				
51	COPPER TUBE (J)	COPPER	3A1482G01	1				
52	CHECK VALVE	-	4A1373-01	2				
53	STRAINER	-	441569-02	1				
54	COPPER TUBE – ACCESS VALVE	COPPER	3A1518G01	1				
55	ACCESS VALVE	-	457729-01	2				

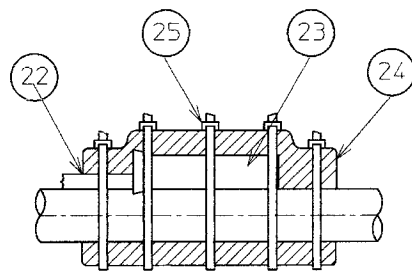




Detail A



Detail B



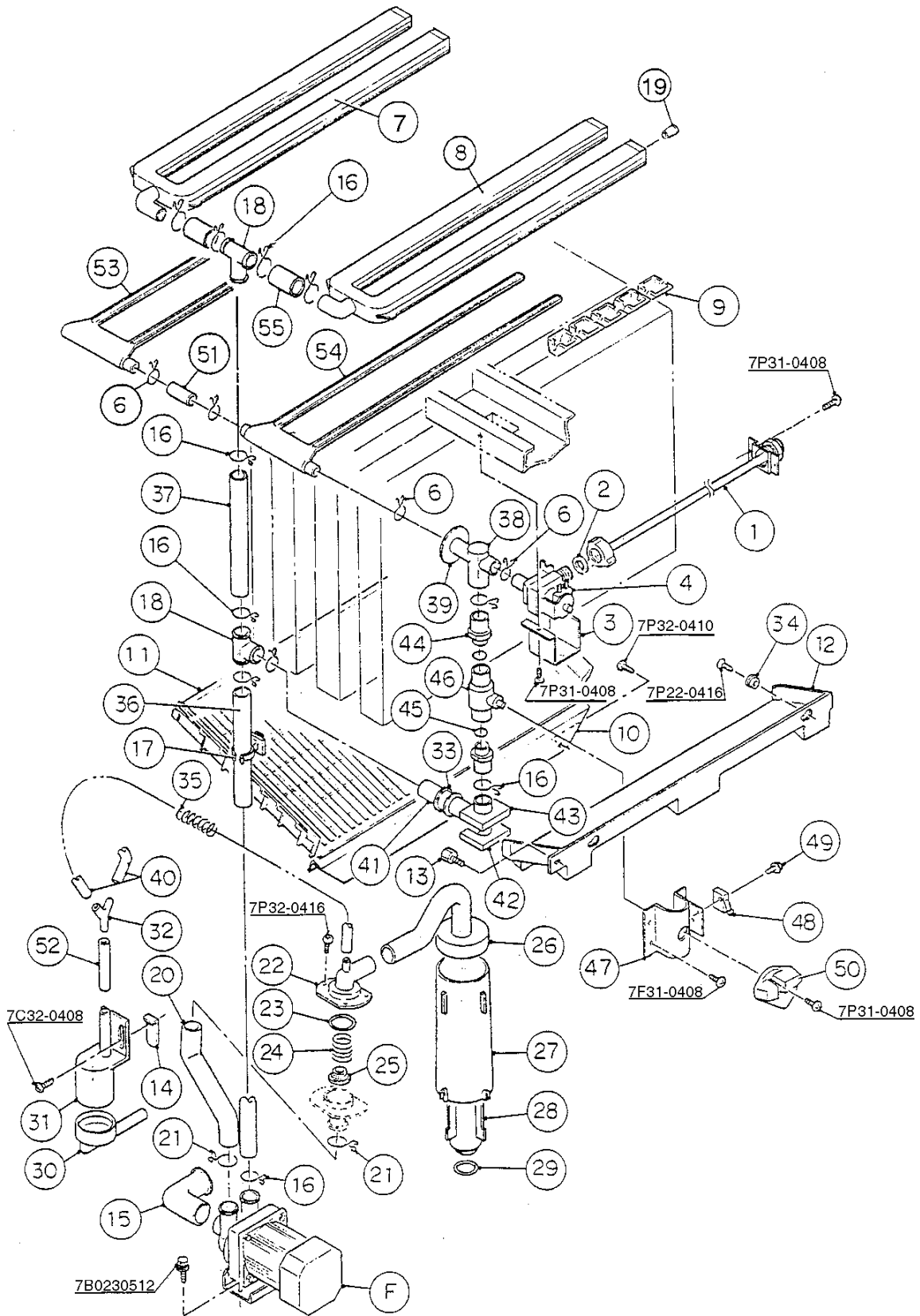
Detailed Thermistor Attachment



MODEL: KM-1300MRH TITLE: B. REFRIGERATION CIRCUIT								
INDEX NO.	DESCRIPTION	MATERIAL OR MODEL NUMBER	PART NUMBER	REQUIRED NUMBER				
				L-0				
1	REAR PANEL	-	<a href="#">222025G03</a>	1				
2	FT SCREW	SS, 4X8	<a href="#">7F32-0408</a>	2				
3	T2 SCREW	4X8	<a href="#">7P31-0408</a>	5				
4	FRAME	-	<a href="#">3A0350G01</a>	1				
5	FT SCREW	SS, 4X8	<a href="#">7F32-0408</a>	4				
6	T2 SCREW	4X8	<a href="#">7P31-0408</a>	2				
7	COMPRESSOR	CS14K6E-PFV	4A1412-02	1				
8	BOLT	8x45	<a href="#">437889-01</a>	4				
9	GROMMET	027-0167-00	<a href="#">434922-01</a>	4				
10	SPACER	028-0188-02	<a href="#">434921-01</a>	4				
11	FRAME (C)	-	<a href="#">3A0347-01</a>	1				
12	T2 SCREW	4X8	<a href="#">7P31-0408</a>	2				
13	DRIER	CW-0325-S	4A1413-01	1				
14	ENDCAP	-	4A1413F01	2				
15	DRIER BRACKET	-	<a href="#">4A0807-01</a>	1				
16	T2 SCREW	4X8	<a href="#">7P31-0408</a>	2				
17	EXPANSION VALVE	HFE-10NHD-2	<a href="#">4A1414-01</a>	2				
18	EXP. VALVE COVER	PE FOAM	<a href="#">3A0944-01</a>	2				
19	EVAPORATOR	-	<a href="#">104442G01</a>	1				
20	TRUSS HEAD SCREW	SS, 4X8	<a href="#">7C32-0408</a>	4				
21	T2 SCREW	SS, 4X8	<a href="#">7P32-0408</a>	2				
22	THERMISTOR	-	<a href="#">429006-03</a>	1				
23	HOLDER - THERMISTOR	COPPER	<a href="#">438247-01</a>	1				
24	INSULATION - THERMISTOR	PE FOAM	<a href="#">427441-01</a>	1				
25	CABLE TIE	CV-200	<a href="#">7920-0010</a>	3				
26	RECEIVER	-	<a href="#">437652-01</a>	1				
27	HEX HEAD BOLT W/WASHER (LF)	5X10	<a href="#">7B0230510</a>	3				

MODEL: <b>KM-1300MRH</b> TITLE: <b>B. REFRIGERATION CIRCUIT</b>								
INDEX NO.	DESCRIPTION	MATERIAL OR MODEL NUMBER	PART NUMBER	REQUIRED NUMBER				
				L-0				
28	PRESSURE SWITCH	ACB-1UB09	433441-07	1				
29	PRESSURE SWITCH BRACKET	GS	434938-01	1				
30	T2 SCREW	4X8	7P31-0408	1				
31	HOT GAS VALVE BRACKET	GS	444816-01	1				
32	T2 SCREW	4X8	7P31-0408	2				
33	LINE VALVE BRACKET	GS	4A1544-01	1				
34	T2 SCREW	4X8	7P31-0408	2				
35	VALVE BODY	70	440352-01	2				
36	COIL - VALVE	ABS-25-1-HD-2	440353-01	2				
37	BOLT	4x6	440353F01	2				
38	TRUSS HEAD SCREW	4X8	7C31-0408	4				
39	COPPER TUBE (A) – HIGH SIDE	COPPER	2A1692G01	1				
40	COPPER TUBE (B) – HIGH SIDE	COPPER	4A2030G01	1				
41	COPPER TUBE (D) – HIGH SIDE	COPPER	3A1603G01	1				
42	COPPER TUBE (E) – HIGH SIDE	COPPER	2A1672G01	1				
43	COPPER TUBE – LINE VALVE	COPPER	4A1994-01	1				
44	HEAT EXCHANGER	-	1A0475A01	1				
45	COPPER TUBE (L) – LOW SIDE	COPPER	2A1666G01	1				
46	COPPER TUBE (R) – LOW SIDE	COPPER	2A1667G01	1				
47	COPPER TUBE - HOT GAS	COPPER	3A0213G01	1				
48	CHECK VALVE	SKC 30564	4A1373-01	2				
49	STRAINER	-	441569-02	1				
50	COPPER TUBE – ACCESS VALVE	COPPER	3A1518G01	1				
51	ACCESS VALVE	-	457729-01	2				
52	COUPLING	-	434136G01	1				
53	TUBE HOLDER - L	-	438245-01	1				
54	T2 SCREW	4X8	7P31-0408	2				

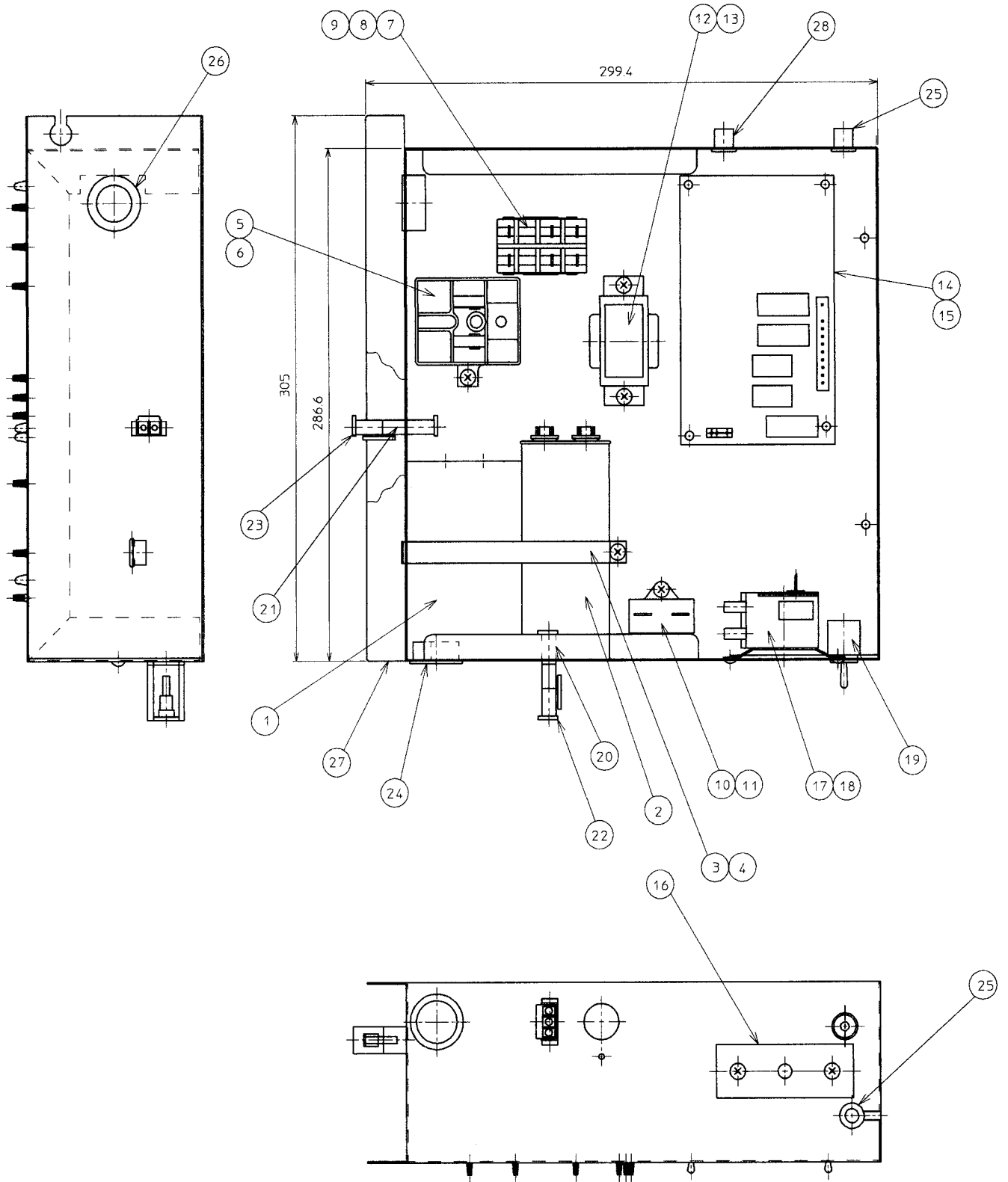
MODEL: <b>KM-1300MRH</b> TITLE: <b>B. REFRIGERATION CIRCUIT</b>								
INDEX NO.	DESCRIPTION	MATERIAL OR MODEL NUMBER	PART NUMBER	REQUIRED NUMBER				
				L-0				
55	-	-	-					
56	COUPLING	-	433751G01	1				
57	TUBE HOLDER - S	-	438246-01	1				
58	T2 SCREW	4X8	7P31-0408	2				
59	HOLDER/EXP. VALVE – 3/8	-	3A0107-01	2				
60	CLAMP	-	443461-02	2				
61	INSULATION TUBE	L=40	7762-1020	2				
62	CABLE TIE	CV-200	7920-0010	12				
63	INSULATED RUBBER TUBE	-	323975G01	1				
64	INSULATION HOLDER	-	3A0979-01	1				
65	T2 SCREW	SS, 4X8	7P32-0408	2				
66	INSULATION	-	436671-01	1				
67	CLAMP	-	4A2338-01	1				



MODEL: <b>KM-1300MAH, MWH, MRH</b> TITLE: <b>C. WATER CIRCUIT</b>								
INDEX NO.	DESCRIPTION	MATERIAL OR MODEL NUMBER	PART NUMBER	REQUIRED NUMBER				
				L-0				
F	PUMP MOTOR ASSEMBLY	(S-0731)	215693A01	1				
	HEX HEAD BOLT W/WASHER (LF)	SS, 5X12	7B0230512	1				
1	WATER SUPPLY PIPE	COPPER	4A0768G01	1				
	T2 SCREW	4X8	7P31-0408	2				
2	RUBBER GASKET	NR	413854-03	1				
3	WATER VALVE BRACKET	GS	321443-01	1				
	T2 SCREW	4X8	7P31-0408	1				
4	WATER VALVE	J248-030	3U0111-01	1				
5	-	-	-					
6	HOSE CLAMP	SS, 18MM	427443-05	4				
7	SPRAY TUBE	PE	1A0260-02	1				
8	SPRAY TUBE	PE	1A0260-01	1				
9	SPRAY GUIDE (A)	PE	208586-01	12				
10	PLATE	SS	3A0133-01	1				
	T2 SCREW	SS, 4X10	7P32-0410	4				
11	CUBE GUIDE (A)	SS	214905-01	1				
12	CUBE GUIDE (B)	ABS	322644-02	1				
13	THUMBSCREW	ABS, SS	415949G01	1				
14	FLOAT SWITCH STOP	SS	4A0137-01	1				
15	HOSE (A)	EPDM	435091-01	1				
16	HOSE CLAMP	SS, 25MM	427443-03	11				
17	HOLDER	PP	322692-01	1				
18	DISTRIBUTOR	ABS	432426-01	2				
19	PLUG	EPDM	4A0176-01	4				
20	DRAIN HOSE	EPDM	435092-01	1				
21	HOSE CLAMP	SS, 27MM	427443-08	2				
22	DRAIN VALVE (B)	ABS	3A1170-01	1				

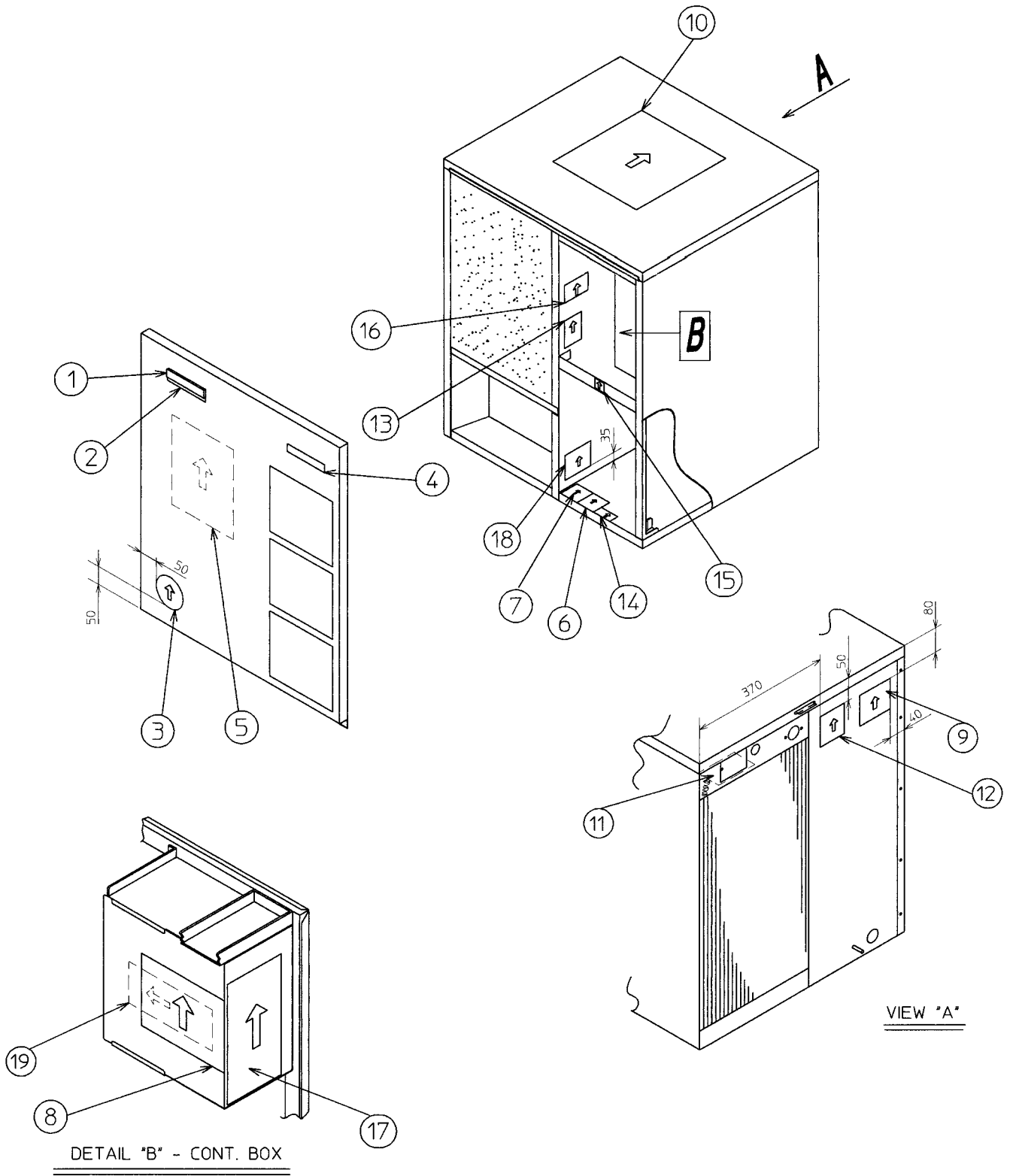
MODEL: <b>KM-1300MAH, MWH, MRH</b> TITLE: <b>C. WATER CIRCUIT</b>								
INDEX NO.	DESCRIPTION	MATERIAL OR MODEL NUMBER	PART NUMBER	REQUIRED NUMBER				
				L-0				
23	"O" RING	1AG35	<a href="#">7611-G035</a>	1				
24	SPRING	SS	<a href="#">322685-01</a>	1				
25	VALVE SHEET	EPDM	<a href="#">433705-01</a>	1				
	T2 SCREW	SS, 4X16	<a href="#">7P32-0416</a>	3				
26	HOSE (C)	EPDM	<a href="#">326655-01</a>	1				
27	OVERFLOW CAP	ABS	<a href="#">322816-01</a>	1				
28	OVERFLOW PIPE	ABS	<a href="#">322691-01</a>	1				
29	"O" RING	-	<a href="#">4A1234-01</a>	1				
30	CONNECTOR - FLOAT SWITCH	EPDM	<a href="#">426799-01</a>	1				
31	FLOAT SWITCH	163790	<a href="#">4A0886-02</a>	1				
	TRUSS HEAD SCREW	SS, 4X8	<a href="#">7C32-0408</a>	2				
32	CONNECTOR	ABS	<a href="#">432763-01</a>	1				
33	RUBBER RING	TSE2571-5U	<a href="#">439236-01</a>	1				
34	COLLAR	ABS	<a href="#">435269-01</a>	2				
	T2 FLAT HEAD SCREW	SS, 4X16	<a href="#">7P22-0416</a>	2				
35	SPRING	SS	<a href="#">435825-01</a>	1				
36	VINYL HOSE	L=670	<a href="#">7716-2025</a>	1				
37	VINYL HOSE	L=190	<a href="#">7716-2025</a>	1				
38	TEE	EPDM	<a href="#">4A0177-01</a>	1				
39	FLANGE	EPDM	<a href="#">439267-01</a>	1				
40	SILICONE HOSE	L=80	<a href="#">773013812</a>	2				
41	BYPASS HOSE	EPDM	<a href="#">439265-01</a>	1				
42	CORNER INSULATION (A)	PE FOAM	<a href="#">439376-01</a>	1				
43	CORNER INSULATION (B)	PE FOAM	<a href="#">439392-01</a>	1				
44	MALE ADAPTOR	(442137A01)	<a href="#">325826-01</a>	2				
45	"O" RING		<a href="#">7611-P018</a>	2				
46	BALL VALVE		<a href="#">439293-01</a>	1				
47	VALVE HOLDER	GS	<a href="#">3A1178-01</a>	1				
	FT SCREW	4X8	<a href="#">7F31-0408</a>	3				



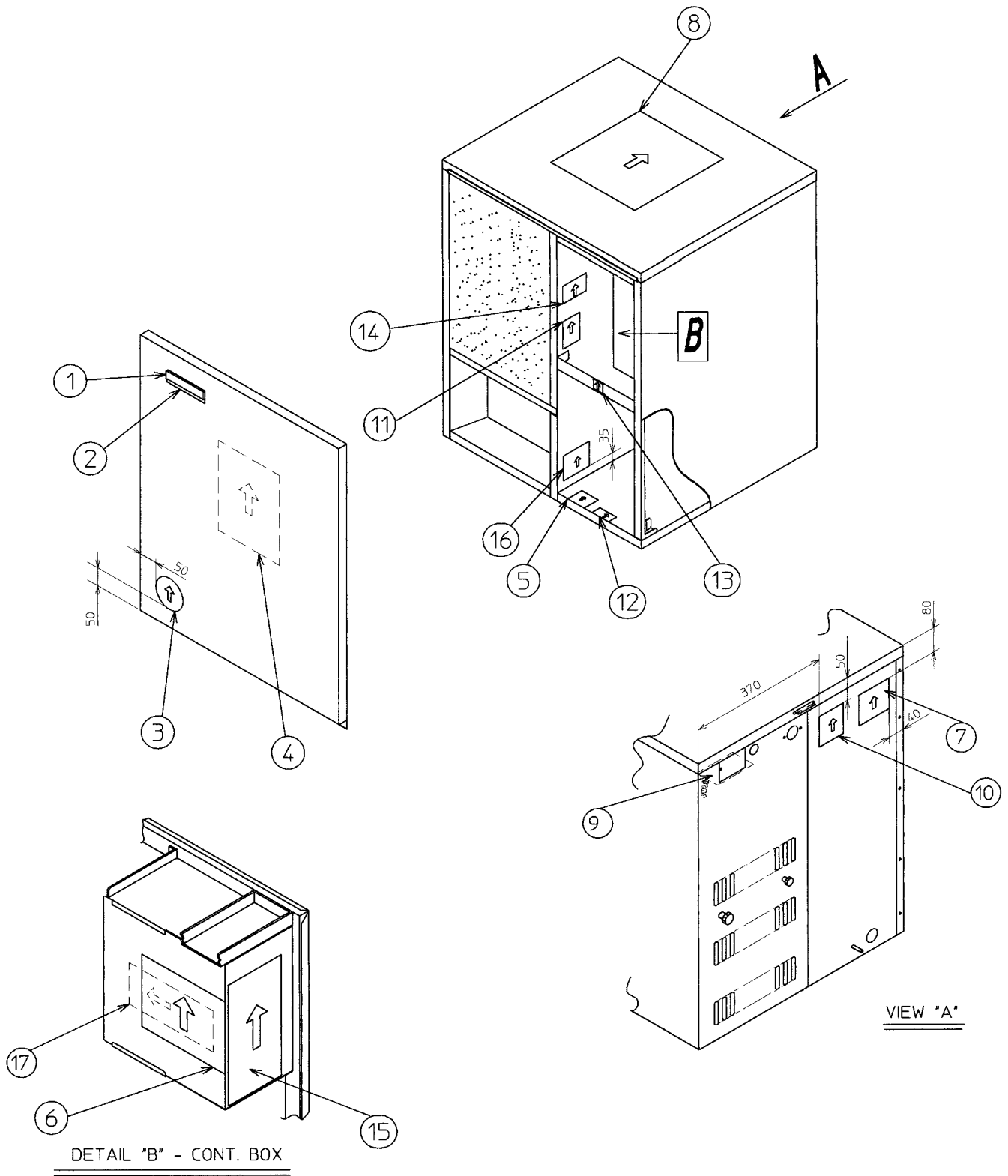




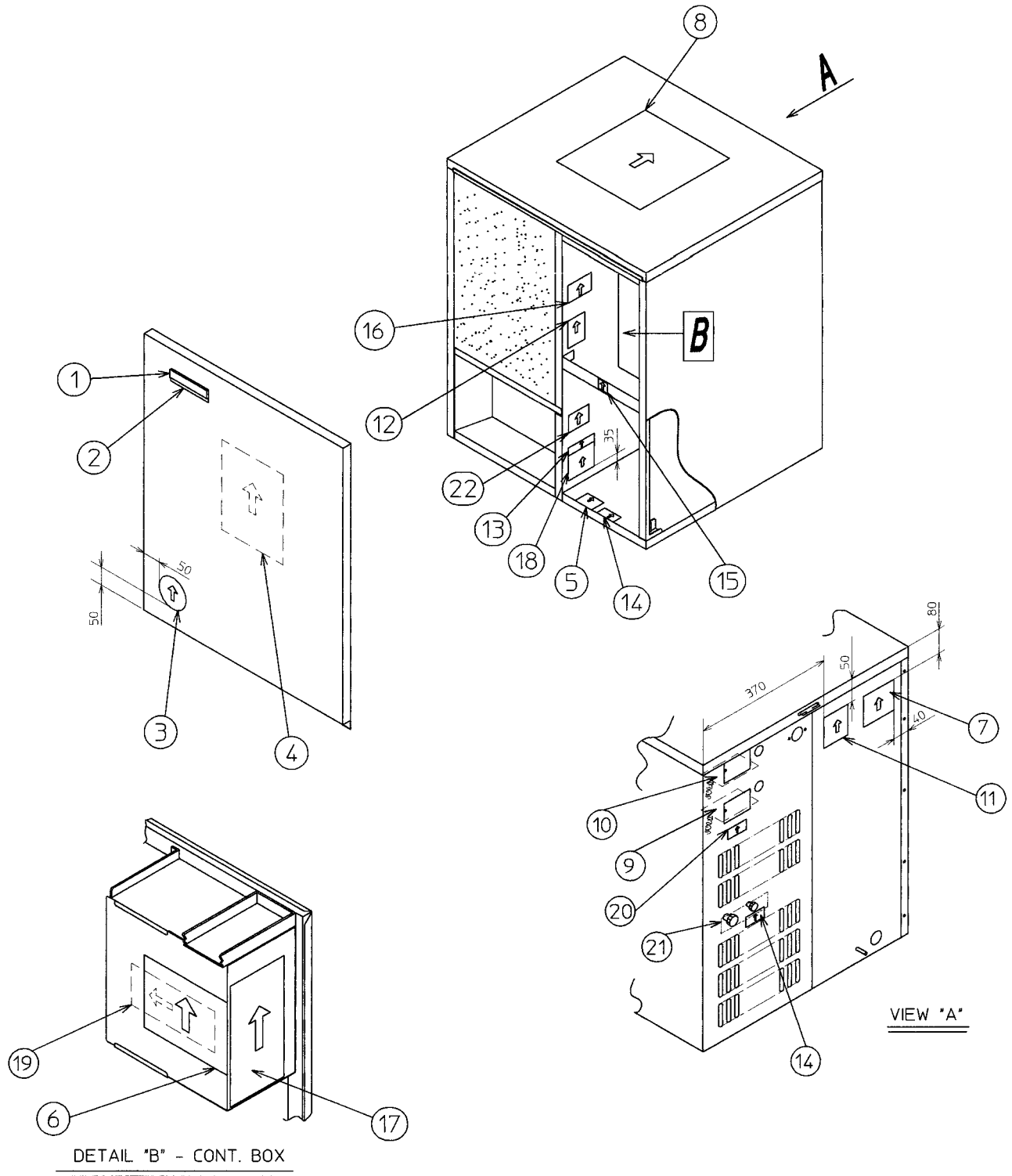
MODEL: <b>KM-1300MAH, MWH, MRH</b> TITLE: <b>D. CONTROL BOX ASSEMBLY</b>								
INDEX NO.	DESCRIPTION	MATERIAL OR MODEL NUMBER	PART NUMBER	REQUIRED NUMBER				
				L-0				
1	CAPACITOR - STARTING	145-174MFD, 250V	<a href="#">3A0076-01</a>	1				
2	CAPACITOR	35MFD, 370V	<a href="#">3A2005-05</a>	1				
3	STRAP	GS	<a href="#">4A2262-04</a>	1				
4	T2 SCREW	4X8	<a href="#">7P31-0408</a>	1				
5	STARTER	040-0001-20	<a href="#">4A1107-09</a>	1				
6	T2 SCREW	4X8	<a href="#">7P31-0408</a>	1				
7	MAGNETIC CONTACTOR	VC20	<a href="#">428393-01</a>	1				
8	BRACKET	BW9154	428393F01	1				
9	T2 SCREW	4X8	<a href="#">7P31-0408</a>	2				
10	CAPACITOR	10MFD, 250V	<a href="#">443192-01</a>	1				
11	T2 SCREW	4X10	<a href="#">7P31-0410</a>	1				
12	TRANSFORMER	26D285H	<a href="#">3A0172-01</a>	1				
13	T2 SCREW	4X8	<a href="#">7P31-0408</a>	2				
14	CONTROLLER BOARD	-	<a href="#">2A1410-01</a>	1				
15	BOARD SUPPORT	CBLS37-M	<a href="#">4A0336-03</a>	4				
16	CONTROL LABEL		<a href="#">4A1758-01</a>	1				
17	THERMOSTAT	A30-3842-00	<a href="#">4A0824-02</a>	1				
18	TRUSS HEAD SCREW	4X6	<a href="#">7C31-0406</a>	2				
19	TOGGLE SWITCH	8966K84	<a href="#">443119-01</a>	1				
20	3P PLUG HOUSING	3191-03P	<a href="#">412832-06</a>	1				
21	2P PLUG HOUSING	3191-02P (RED)	<a href="#">412832-09</a>	1				
22	3P RECEPTACLE HOUSING	3191-03R1	<a href="#">412831-06</a>	1				
23	2P RECEPTACLE HOUSING	3191-02R1 (RED)	<a href="#">412831-09</a>	1				
24	BUSHING	SB-1093-15	<a href="#">420470-03</a>	1				
25	BUSHING	OCB-500	<a href="#">428394-02</a>	2				
26	BUSHING	SB-1093-13	<a href="#">420470-12</a>	1				
27	CONTROL BOX	GS	<a href="#">2A1082G02</a>	1				
28	BUSHING	OCB-875	<a href="#">428394-04</a>	1				



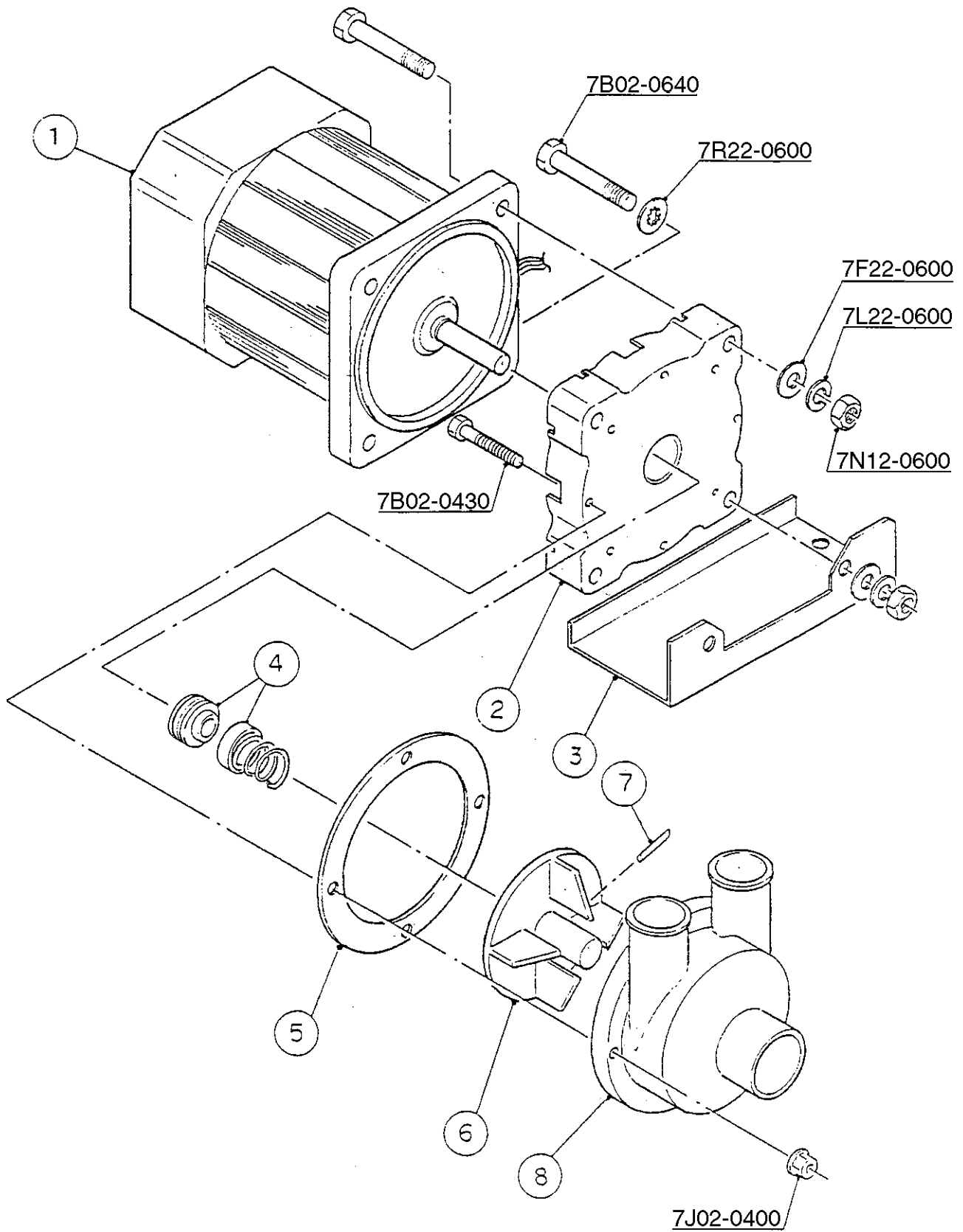
MODEL: <b>KM-1300MAH</b> TITLE: <b>E. LABEL LOCATION</b>								
INDEX NO.	DESCRIPTION	MATERIAL OR MODEL NUMBER	PART NUMBER	REQUIRED NUMBER				
				L-0				
1	EMBLEM	-	4A0560-01	1				
2	MODEL NUMBER LABEL	PETP FILM	4A2356-48	1				
3	LABEL - PENGUIN (R)	PETP FILM	4A0526-01	1				
4	LABEL - AIR FILTER	PETP FILM	426177-01	1				
5	MAINTENANCE LABEL	PVC FILM	325975-01	1				
6	CAUTION LABEL (F)	PVC FILM	439146-01	1				
7	CAUTION LABEL (K)	PVC FILM	439150-01	1				
8	WIRING LABEL	PVC FILM	3A1483-01	1				
9	NAMEPLATE	PES FILM	4A2442-01	1				
10	INSTRUCTION SHEET	PAPER	2A2162-01	1				
11	TAG - WARNING: ELECTRICAL CONNECTION	PAPER	428430-01	1				
12	INSTRUCTION LABEL	PVC FILM	444575-01	1				
13	MANUAL LABEL - BIN CONTROL	PVC FILM	322846-01	1				
14	LABEL - R404A	PES FILM	4A0960-01	1				
15	CAUTION LABEL	PVC FILM	436198-01	1				
16	OPERATION LABEL - VALVE	PVC FILM	439541-01	1				
17	MANUAL LABEL	PVC FILM	324476-01	1				
18	RATING LABEL	-	4A2451-01	1				
19	LABEL - CONTROL BOARD	-	3A1272-01	1				



MODEL: <b>KM-1300MWH</b> TITLE: <b>E. LABEL LOCATION</b>								
INDEX NO.	DESCRIPTION	MATERIAL OR MODEL NUMBER	PART NUMBER	REQUIRED NUMBER				
				L-0				
1	EMBLEM	-	4A0560-01	1				
2	MODEL NUMBER LABEL	PETP FILM	4A2356-49	1				
3	LABEL - PENGUIN (R)	PETP FILM	4A0526-01	1				
4	MAINTENANCE LABEL	PVC FILM	325975-01	1				
5	CAUTION LABEL (K)	PVC FILM	439150-01	1				
6	WIRING LABEL	PVC FILM	3A1483-01	1				
7	NAMEPLATE	PES FILM	4A2443-01	1				
8	INSTRUCTION SHEET	PAPER	2A2162-01	1				
9	TAG - WARNING: ELECTRICAL CONNECTION	PAPER	428430-01	1				
10	INSTRUCTION LABEL	PVC FILM	444575-01	1				
11	MANUAL LABEL - BIN CONTROL	PVC FILM	322846-01	1				
12	LABEL - R404A	PES FILM	4A0960-01	1				
13	CAUTION LABEL	PVC FILM	436198-01	1				
14	OPERATION LABEL - VALVE	PVC FILM	439541-01	1				
15	MANUAL LABEL	PVC FILM	324476-01	1				
16	RATING LABEL	-	4A2452-01	1				
17	LABEL - CONTROL BOARD	-	3A1272-01	1				



MODEL: <b>KM-1300MRH</b> TITLE: <b>E. LABEL LOCATION</b>								
INDEX NO.	DESCRIPTION	MATERIAL OR MODEL NUMBER	PART NUMBER	REQUIRED NUMBER				
				L-0				
1	EMBLEM	-	4A0560-01	1				
2	MODEL NUMBER LABEL	PETP FILM	4A2356-50	1				
3	LABEL - PENGUIN (R)	PETP FILM	4A0526-01	1				
4	MAINTENANCE LABEL	PVC FILM	325975-01	1				
5	CAUTION LABEL (K)	PVC FILM	439150-01	1				
6	WIRING LABEL	PVC FILM	3A0967-01	1				
7	NAMEPLATE	PES FILM	4A2444-01	1				
8	INSTRUCTION SHEET	PAPER	2A2162-01	1				
9	TAG - FAN MOTOR LEADS	-	4A1494-01					
10	TAG - WARNING: ELECTRICAL CONNECTION	PAPER	428430-01	1				
11	INSTRUCTION LABEL	PVC FILM	444575-01	1				
12	MANUAL LABEL - BIN CONTROL	PVC FILM	322846-01	1				
13	LABEL CHARGE	PES FILM	4A1399-08	1				
14	LABEL - R404A		4A0960-01	2				
15	CAUTION LABEL	PVC FILM	436198-01	1				
16	OPERATION LABEL - VALVE	PVC FILM	439541-01	1				
17	MANUAL LABEL	PVC FILM	324476-01	1				
18	RATING LABEL	-	4A2453-01	1				
19	LABEL - CONTROL BOARD	-	3A1272-01	1				
20	CAUTION - REMOTE LABEL	-	4A1491-01	1				
21	CAUTION TAPE - 404A	L=250	4A1535L01	1				
22	CAUTION LABEL (H)	-	439148-01	1				





H A

MODEL: <b>KM-1300MAH, MWH, MRH</b> TITLE: <b>F. PUMP MOTOR ASSEMBLY</b>								
INDEX NO.	DESCRIPTION	MATERIAL OR MODEL NUMBER	PART NUMBER	REQUIRED NUMBER				
				L-0				
1	PUMP MOTOR	M91A60SP201	<a href="#">2U0106-01</a>	1				
2	PUMP FLANGE	PC	<a href="#">215662-01</a>	1				
3	PUMP MOTOR BRACKET	SS	<a href="#">435057-01</a>	1				
	TOOTH WASHER	SS, M6	<a href="#">7R22-0600</a>	1				
	HEXAGON BOLT	SS, 6X40	<a href="#">7B02-0640</a>	4				
	SPLIT LOCK WASHER	SS, M6	<a href="#">7L22-0600</a>	4				
	FLAT WASHER	SS, M6	<a href="#">7F22-0600</a>	4				
	NUT	SS, M6	<a href="#">7N12-0600</a>	4				
4	MECHANICAL SEAL	H5-PN, 8MM	<a href="#">428545-01</a>	1				
5	PACKING	EPDM	<a href="#">428547-01</a>	1				
6	IMPELLER	ABS	<a href="#">428548-01</a>	1				
7	PIN	SS	<a href="#">414102-01</a>	1				
8	PUMP HOUSING	ABS	<a href="#">212636-01</a>	1				
	HEXAGON BOLT	SS, 4X30	<a href="#">7B02-0430</a>	4				
	FLANGE NUT	SS, M4	<a href="#">7J02-0400</a>	4				

