

NO. 71164

ISSUED: JAN. 28, 2000

REVISED: JULY 29, 2003



**HOSHIZAKI  
MODULAR CRESCENT CUBER**

**MODEL**

**KM-1300MAF**

**KM-1300MWF**

**KM-1300MRF**

**(FINAL) PARTS LIST**

|                   |     |            |
|-------------------|-----|------------|
| <b>KM-1300MAF</b> | J-0 | Aug., 1999 |
|                   | K-0 | Dec., 1999 |
|                   | L-0 | Dec., 2000 |

|                   |     |            |
|-------------------|-----|------------|
| <b>KM-1300MWF</b> | J-0 | Aug., 1999 |
|                   | K-0 | Nov., 1999 |
|                   | L-0 | Jan., 2001 |

|                   |     |            |
|-------------------|-----|------------|
| <b>KM-1300MRF</b> | J-0 | Aug., 1999 |
|                   | K-0 | Dec., 1999 |
|                   | L-0 | Dec., 2000 |

## MATERIAL ABBREVIATIONS

### ALUMINUM

AL = Aluminum

### COPPER

CU = Copper

### PLASTIC

ABS = Acrylonitrile -butadiene - styrene  
 AC = Polyacetal  
 EVA = Ethylene vinyl acetate  
 PA = Polyamide = Nylon  
 PC = Polycarbonate  
 PE = Polyethylene  
 PES = Polyester  
 PETP = Polyethylene terephthalate = Tetlon  
 PP = Polypropylene  
 PS = Polystyrene  
 PTFE = Polytetrafluoroethylene = Teflon  
 PUR = Polyurethane  
 PVC = Polyvinyl chloride

### RUBBER

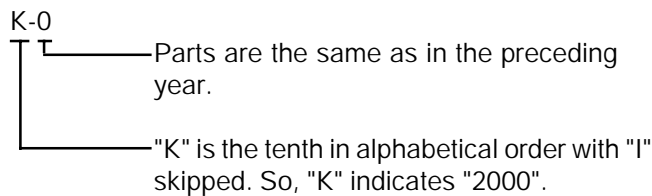
VN = Vinyl Nitrile  
 EPDM = EP rubber  
 NBR = Nitrile butadiene rubber  
 NR = Natural rubber  
 NP = Neoprene  
 SI.R = Silicone rubber  
 SY.R = Synthetic rubber  
 EPH = Epichlorohydrin

### STEEL

G.S = Galvanized steel  
 S.S = Stainless steel  
 PS = Plated steel  
 PAS = Primed steel

## AUXILIARY CODE

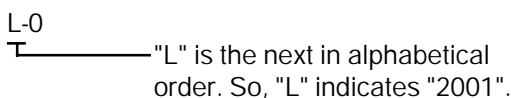
Ex.1



**(Note)** - = Part deleted.

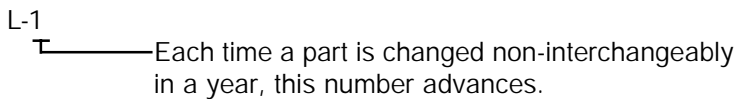
x = Part deleted and replaced by "o" part (interchangeable).

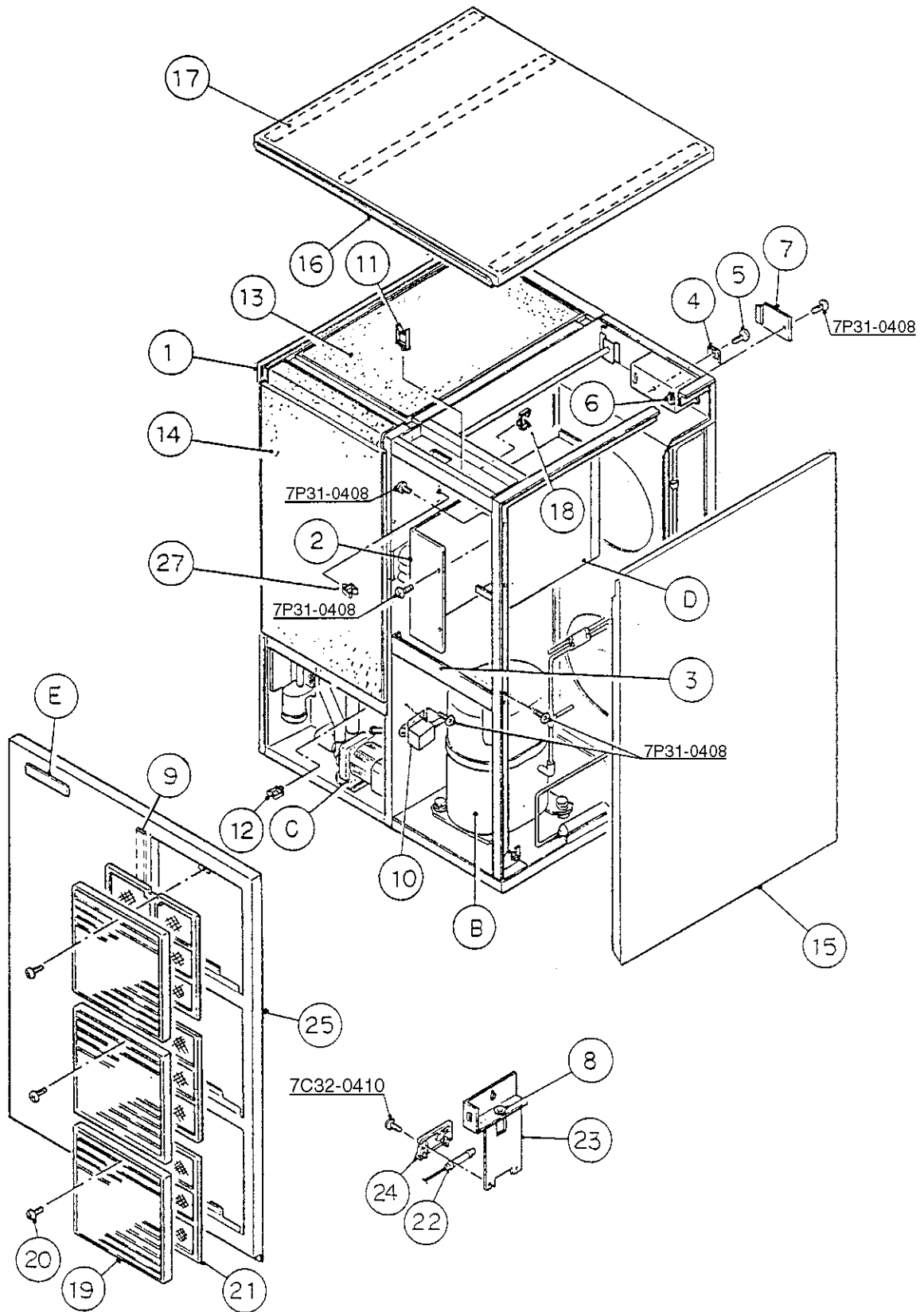
Ex.2

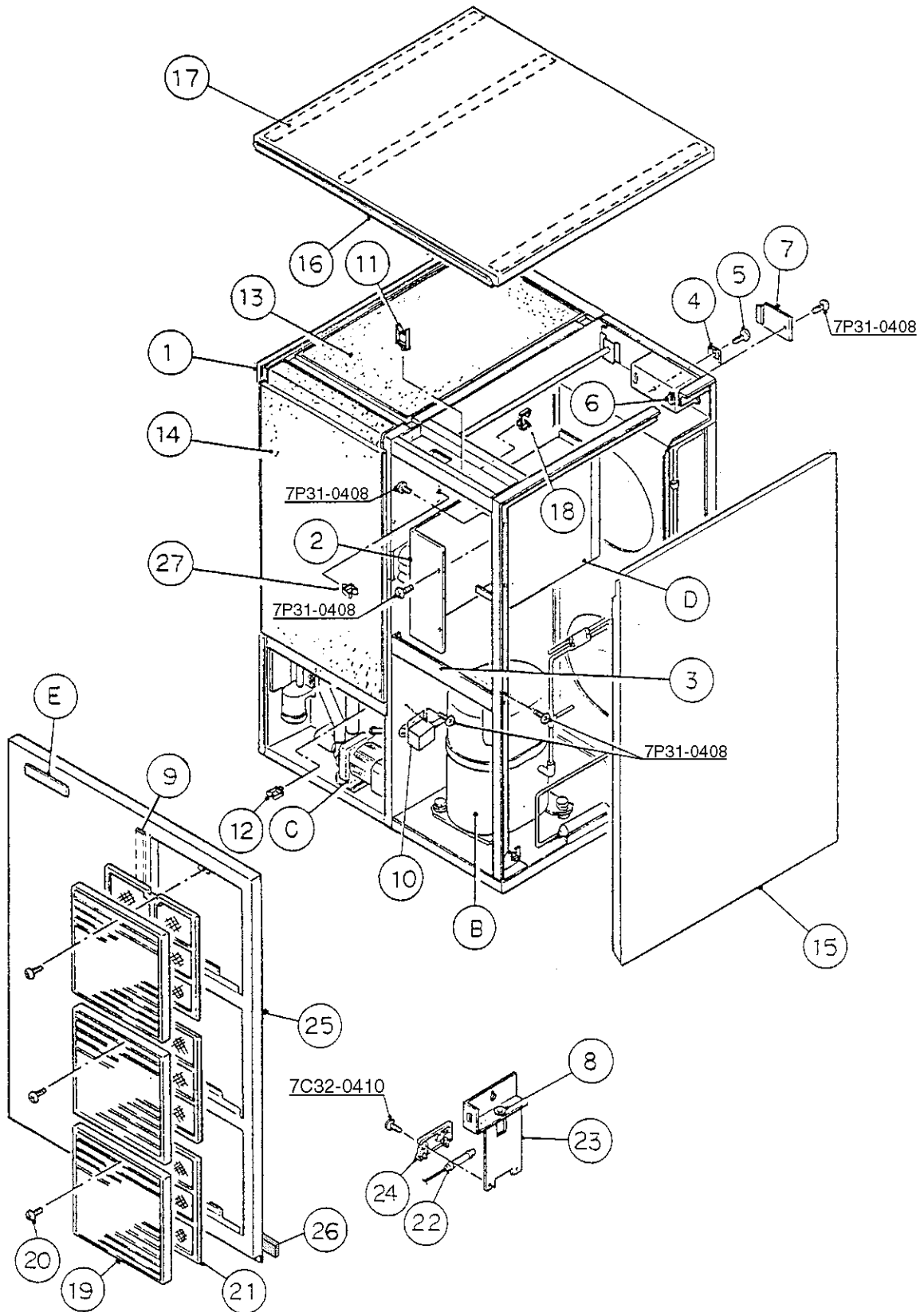


o = New part for "x" in the same auxiliary code.

Ex.3

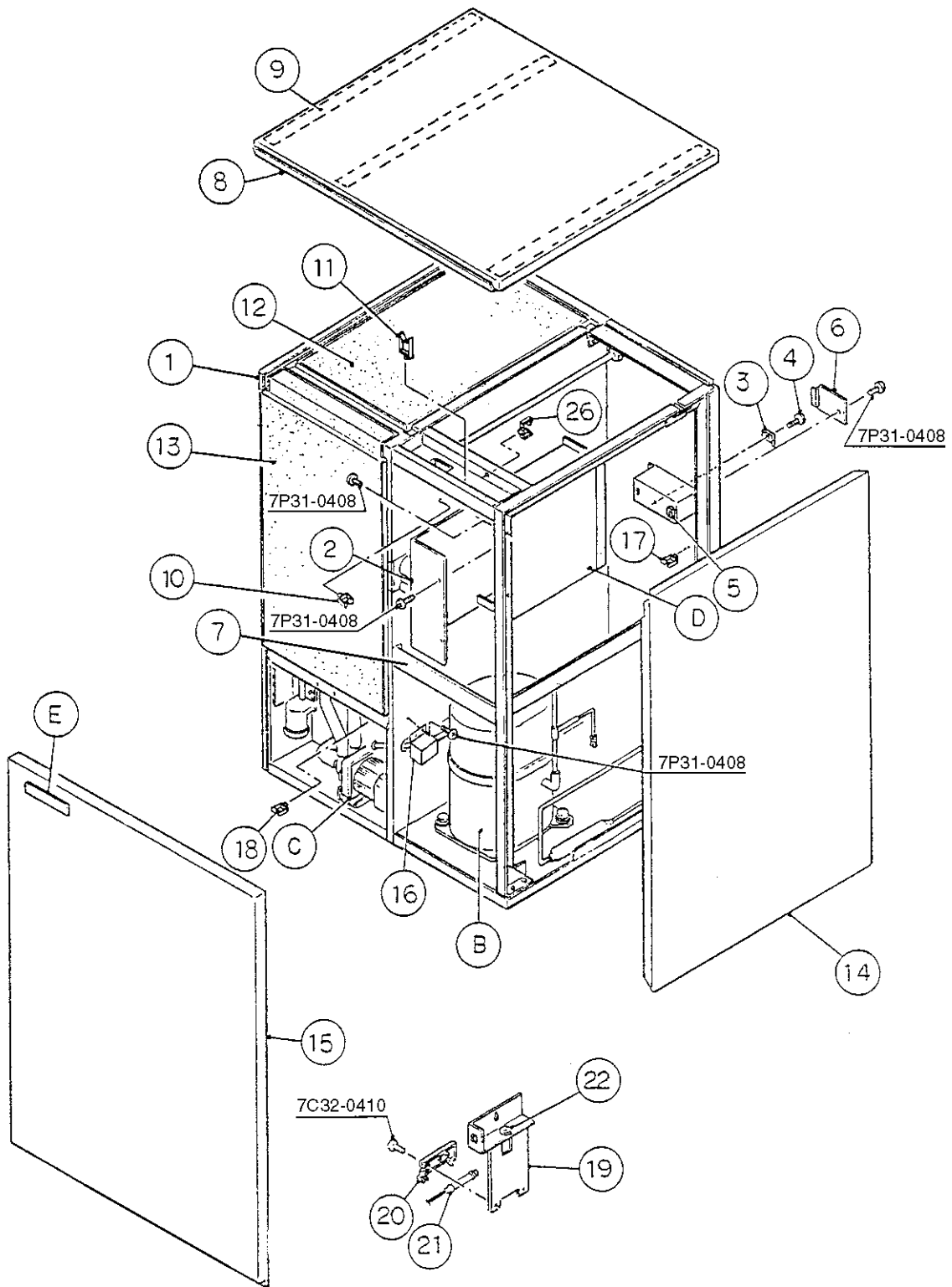






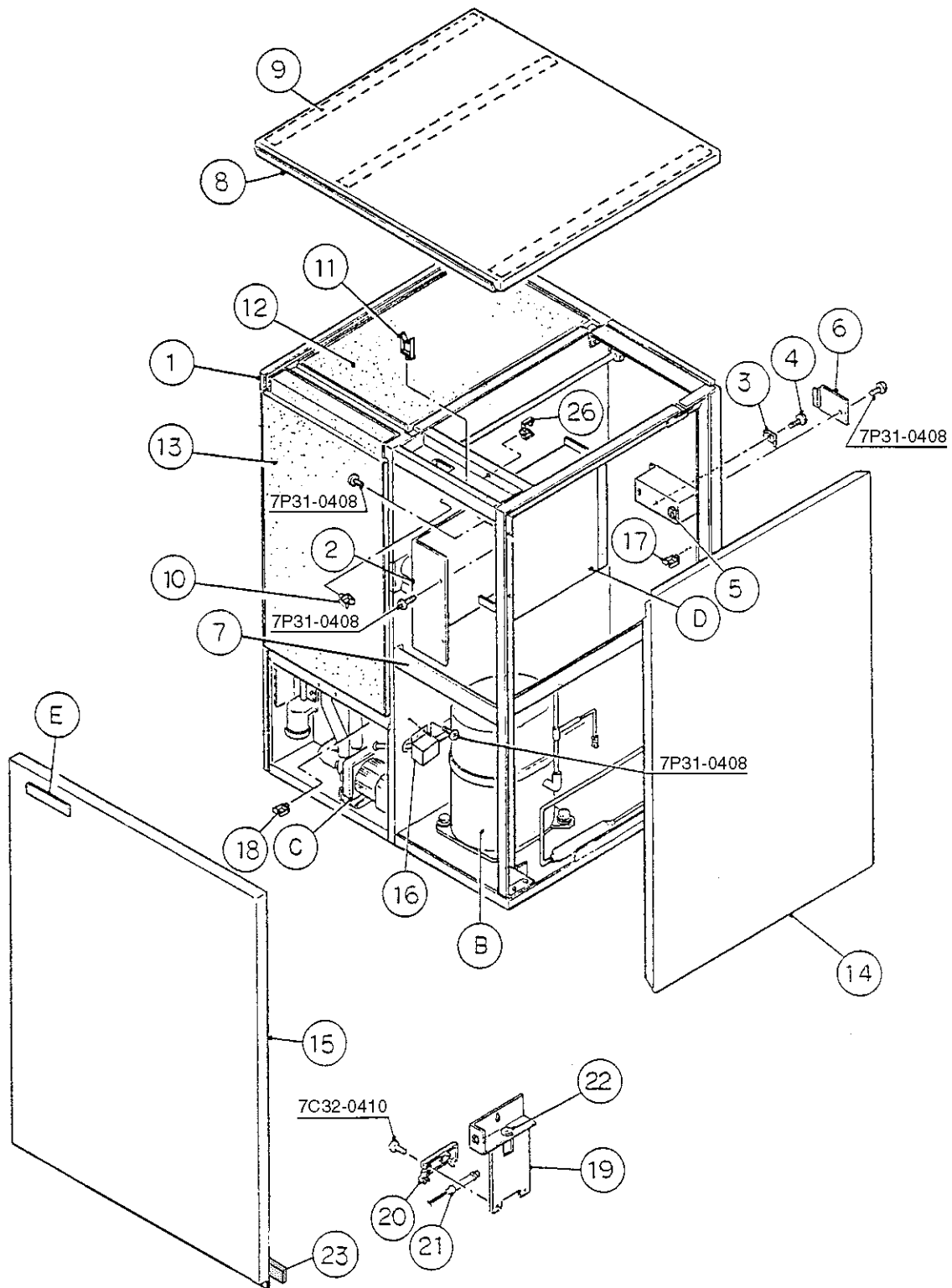
| MODEL: <b>KM-1300MAF</b> TITLE: <b>A. ICE CUBER ASSEMBLY</b> |                       |                          |             |                 |     |     |  |  |
|--|-----------------------|--------------------------|-------------|-----------------|-----|-----|--|--|
| INDEX NO.  | DESCRIPTION           | MATERIAL OR MODEL NUMBER | PART NUMBER | REQUIRED NUMBER |     |     |  |  |
|  |                       |                          |             | J-0             | K-0 | L-0 |  |  |
| B  | REFRIGERATION CIRCUIT | -                        | 1A0462A01   | 1               | 1   | 1   |  |  |
| C  | WATER CIRCUIT         | HS-1201                  | 1A0094A04   | 1               | 1   | 1   |  |  |
| D  | CONTROL BOX ASSEMBLY  | HS-1101                  | 2A1081A02   | 1               | 1   | 1   |  |  |
|  | T2 SCREW              | 4X8                      | 7P31-0408   | 3               | 3   | 3   |  |  |
| E  | LABEL LOCATION        | -                        | 2A1652A01   | 1               | 1   | 1   |  |  |
|  |                       |                          |             |                 |     |     |  |  |
| 1  | EVAPORATOR CASE       | HS-1016                  | 105124G07   | 1               | 1   | 1   |  |  |
| 2  | CONTROL BOX COVER     | GS                       | 3A0174-01   | 1               | 1   | 1   |  |  |
|  | T2 SCREW              | 4X8                      | 7P31-0408   | 2               | 2   | 2   |  |  |
| 3  | FRAME (F)             |                          | 324093-01   | 1               | 1   | 1   |  |  |
|  | T2 SCREW              | 4X8                      | 7P31-0408   | 4               | 4   | 4   |  |  |
| 4  | SQUARE WASHER         | BRASS                    | 433537-02   | 1               | 1   | 1   |  |  |
| 5  | SCREW - GROUNDING     | BRASS                    | 433304-02   | 1               | 1   | 1   |  |  |
| 6  | BUSHING               | SR-34-2                  | 420472-05   | 1               | 1   | 1   |  |  |
| 7  | JUNCTION BOX COVER    | GS                       | 433410-01   | 1               | 1   | 1   |  |  |
|  | T2 SCREW              | 4X8                      | 7P31-0408   | 1               | 1   | 1   |  |  |
| 8  | BUSHING               |                          | 425307-01   | 1               | 1   | 1   |  |  |
| 9  | FOAM SEAL             | L=700                    | 4A0661L01   | 1               | 1   | 1   |  |  |
| 10   | BARRIER               |                          | 3A0235-01   | 1               | 1   | 1   |  |  |
|  | T2 SCREW              | 4X8                      | 7P31-0408   | 2               | 2   | 2   |  |  |
| 11   | WIRE SADDLE           |                          | 4A0338-01   | 2               | 2   | 2   |  |  |
| 12   | WIRE SADDLE           |                          | 4A0338-02   | 1               | 1   | 1   |  |  |
| 13   | TOP INSULATION        | ABS, PE                  | 322714G01   | 1               | 1   | 1   |  |  |
| 14   | FRONT INSULATION      | ABS, PE                  | 322711G01   | 1               | 1   | 1   |  |  |
| 15   | SIDE PANEL (R)        | SS                       | 212688G01   | 1               | 1   | 1   |  |  |
| 16   | TOP PANEL             | 323836A01, SS            | 212687-01   | 1               | 1   | 1   |  |  |
| 17   | GASKET                | 323836A01, PVC           | 427014-04   | 3               | 3   | 3   |  |  |
| 18   | WIRE SADDLE           |                          | 4A0338-03   | 5               | 5   | 5   |  |  |
| 19   | LOUVER (B)            | ABS                      | 103121-03   | 3               | 3   | 3   |  |  |

| MODEL: <b>KM-1300MAF</b> TITLE: <b>A. ICE CUBER ASSEMBLY</b> |                       |                          |             |                 |     |     |  |  |
|--|-----------------------|--------------------------|-------------|-----------------|-----|-----|--|--|
| INDEX NO.  | DESCRIPTION           | MATERIAL OR MODEL NUMBER | PART NUMBER | REQUIRED NUMBER |     |     |  |  |
|  |                       |                          |             | J-0             | K-0 | L-0 |  |  |
| 20   | TAPPING SCREW (BLACK) | STEEL, 4X8               | 433954-01   | 3               | 3   | 3   |  |  |
| 21   | AIR FILTER (B)        | ABS                      | 208283G03   | 3               | 3   | 3   |  |  |
| 22   | SPACER                | PE                       | 443545-01   | 1               | 1   | 1   |  |  |
|  | TRUSS HEAD SCREW      | SS, 4X10                 | 7C32-0410   | 2               | 2   | 2   |  |  |
| 23   | BULB HOLDER           | -                        | 322815G02   | 1               | 1   | 1   |  |  |
| 24   | BULB HOLDER           | -                        | 328919-01   | 1               | 1   | 1   |  |  |
| 25   | FRONT PANEL           | SS                       | 212685-01   | 1               | 1   | 1   |  |  |
| 26   | GASKET                | L=762                    | 4A0808L02   |                 |     | 1   |  |  |
| 27   | WIRE SADDLE           | -                        | 4A0338-02   | 5               | 5   | 5   |  |  |
|  |                       |                          |             |                 |     |     |  |  |
|  |                       |                          |             |                 |     |     |  |  |
|  |                       |                          |             |                 |     |     |  |  |
|  |                       |                          |             |                 |     |     |  |  |
|  |                       |                          |             |                 |     |     |  |  |
|  |                       |                          |             |                 |     |     |  |  |
|  |                       |                          |             |                 |     |     |  |  |
|  |                       |                          |             |                 |     |     |  |  |
|  |                       |                          |             |                 |     |     |  |  |
|  |                       |                          |             |                 |     |     |  |  |
|  |                       |                          |             |                 |     |     |  |  |
|  |                       |                          |             |                 |     |     |  |  |
|  |                       |                          |             |                 |     |     |  |  |
|  |                       |                          |             |                 |     |     |  |  |
|  |                       |                          |             |                 |     |     |  |  |
|  |                       |                          |             |                 |     |     |  |  |

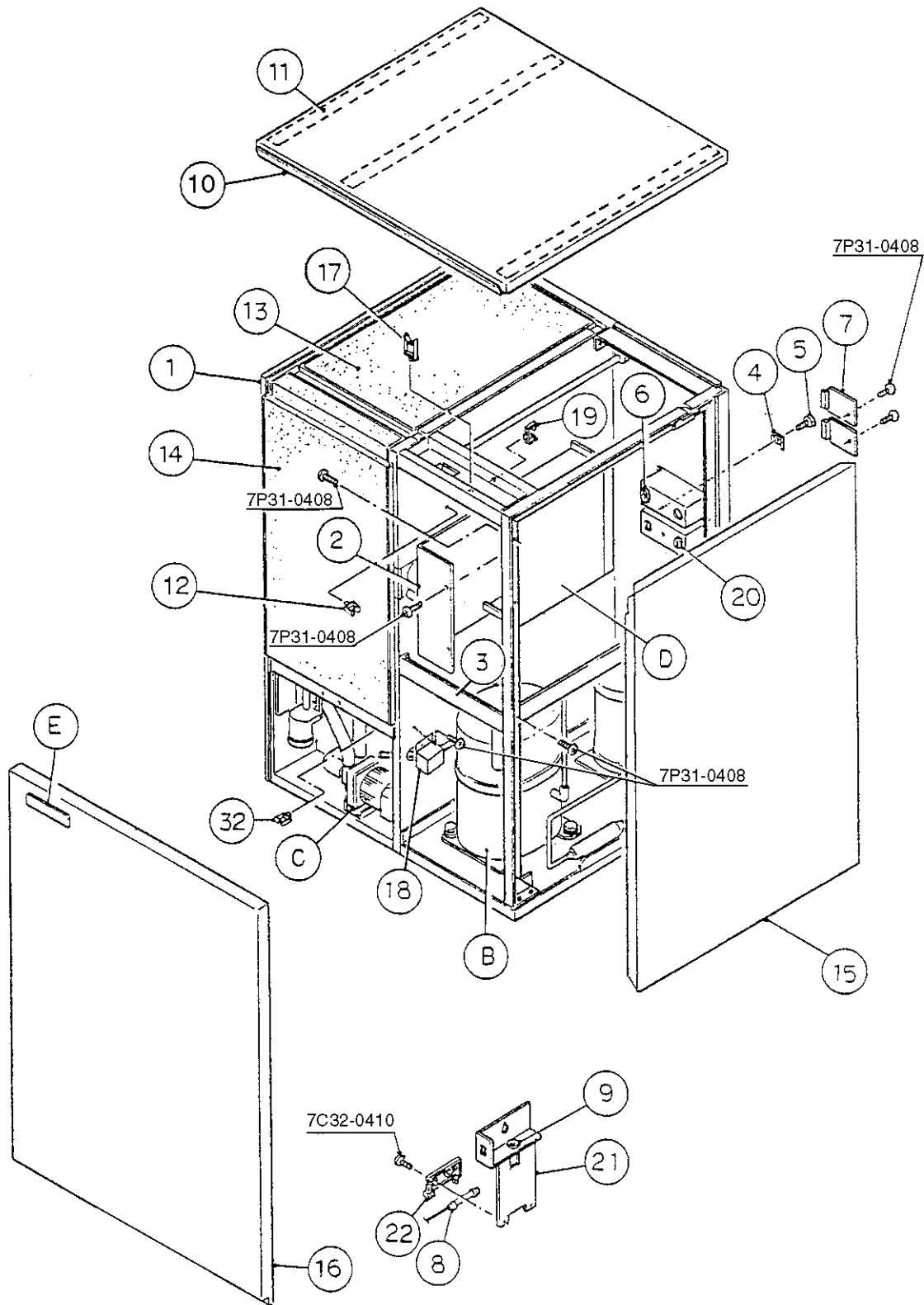


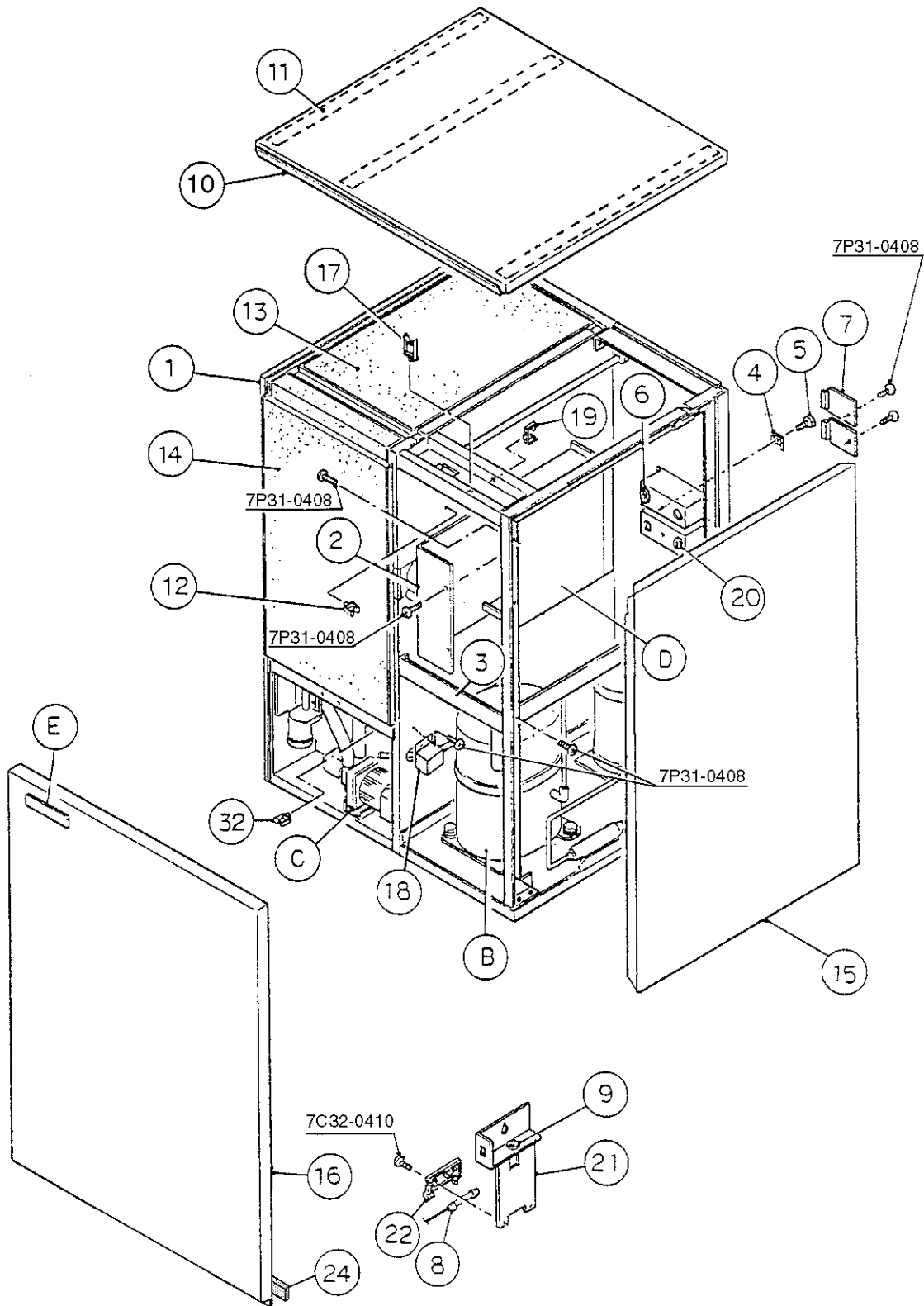


A. ICE CUBER ASSEMBLY



| MODEL: <b>KM-1300MWF</b> TITLE: <b>A. ICE CUBER ASSEMBLY</b> |                       |                          |             |                 |     |     |  |  |
|--|-----------------------|--------------------------|-------------|-----------------|-----|-----|--|--|
| INDEX NO.  | DESCRIPTION           | MATERIAL OR MODEL NUMBER | PART NUMBER | REQUIRED NUMBER |     |     |  |  |
|  |                       |                          |             | J-0             | K-0 | L-0 |  |  |
| B  | REFRIGERATION CIRCUIT | -                        | 1A0463A01   | 1               | 1   | 1   |  |  |
| C  | WATER CIRCUIT         | HS-1201                  | 1A0094A04   | 1               | 1   | 1   |  |  |
| D  | CONTROL BOX ASSEMBLY  | HS-1101                  | 2A1081A02   | 1               | 1   | 1   |  |  |
|  | T2 SCREW              | 4X8                      | 7P31-0408   | 3               | 3   | 3   |  |  |
| E  | LABEL LOCATION        | -                        | 2A1653A01   | 1               | 1   | 1   |  |  |
| 1  | EVAP. CASE            | HS-1016                  | 105124G07   | 1               | 1   | 1   |  |  |
| 2  | CONTROL BOX COVER     | GS                       | 3A0174-01   | 1               | 1   | 1   |  |  |
| 3  | SQUARE WASHER         | BRASS                    | 433537-02   | 1               | 1   | 1   |  |  |
| 4  | SCREW - GROUNDING     | BRASS                    | 433304-02   | 1               | 1   | 1   |  |  |
| 5  | BUSHING               | SR-34-2                  | 420472-05   | 1               | 1   | 1   |  |  |
| 6  | JUNCTION BOX COVER    | GS                       | 433410-01   | 1               | 1   | 1   |  |  |
|  | T2 SCREW              | 4X8                      | 7P31-0408   | 1               | 1   | 1   |  |  |
| 7  | FRAME (F)             | GS                       | 427902-03   | 1               | 1   | 1   |  |  |
|  | T2 SCREW              | 4X8                      | 7P31-0408   | 4               | 4   | 4   |  |  |
| 8  | TOP PANEL             | (323836A01), SS          | 212687-01   | 1               | 1   | 1   |  |  |
| 9  | GASKET                | PVC                      | 427014-04   | 3               | 3   | 3   |  |  |
| 10   | WIRE SADDLE           | VWS4274-C                | 4A0338-03   | 5               | 5   | 5   |  |  |
| 11   | WIRE SADDLE           | VWS4218-C                | 4A0338-01   | 2               | 2   | 2   |  |  |
| 12   | TOP INSULATION        | ABS, PE                  | 322714G01   | 1               | 1   | 1   |  |  |
| 13   | FRONT INSULATION      | ABS,PE                   | 322711G01   | 1               | 1   | 1   |  |  |
| 14   | SIDE PANEL (R)        | SS                       | 212688G01   | 1               | 1   | 1   |  |  |
| 15   | FRONT PANEL           | SS                       | 212686-01   | 1               | 1   | 1   |  |  |
| 16   | BARRIER               | GS                       | 3A0235-01   | 1               | 1   | 1   |  |  |
| 17   | WIRE SADDLE           | VWS42105-C               | 4A0338-04   | 1               | 1   | 1   |  |  |
| 18   | WIRE SADDLE           | VWS4238-C                | 4A0338-02   | 2               | 2   | 2   |  |  |
| 19   | BULB HOLDER           | SS                       | 322815G02   | 1               | 1   | 1   |  |  |
| 20   | BULB HOLDER           | ABS                      | 328919-01   | 1               | 1   | 1   |  |  |
| 21   | SPACER                | PE                       | 443545-01   | 1               | 1   | 1   |  |  |
| 22   | BUSHING               | EPDM                     | 425307-01   | 1               | 1   | 1   |  |  |
|  | TRUSS HEAD SCREW      | SS,, 4X10                | 7C32-0410   | 1               | 1   | 1   |  |  |
| 23   | GASKET                | L=762                    | 4A0808L02   |                 |     | 1   |  |  |

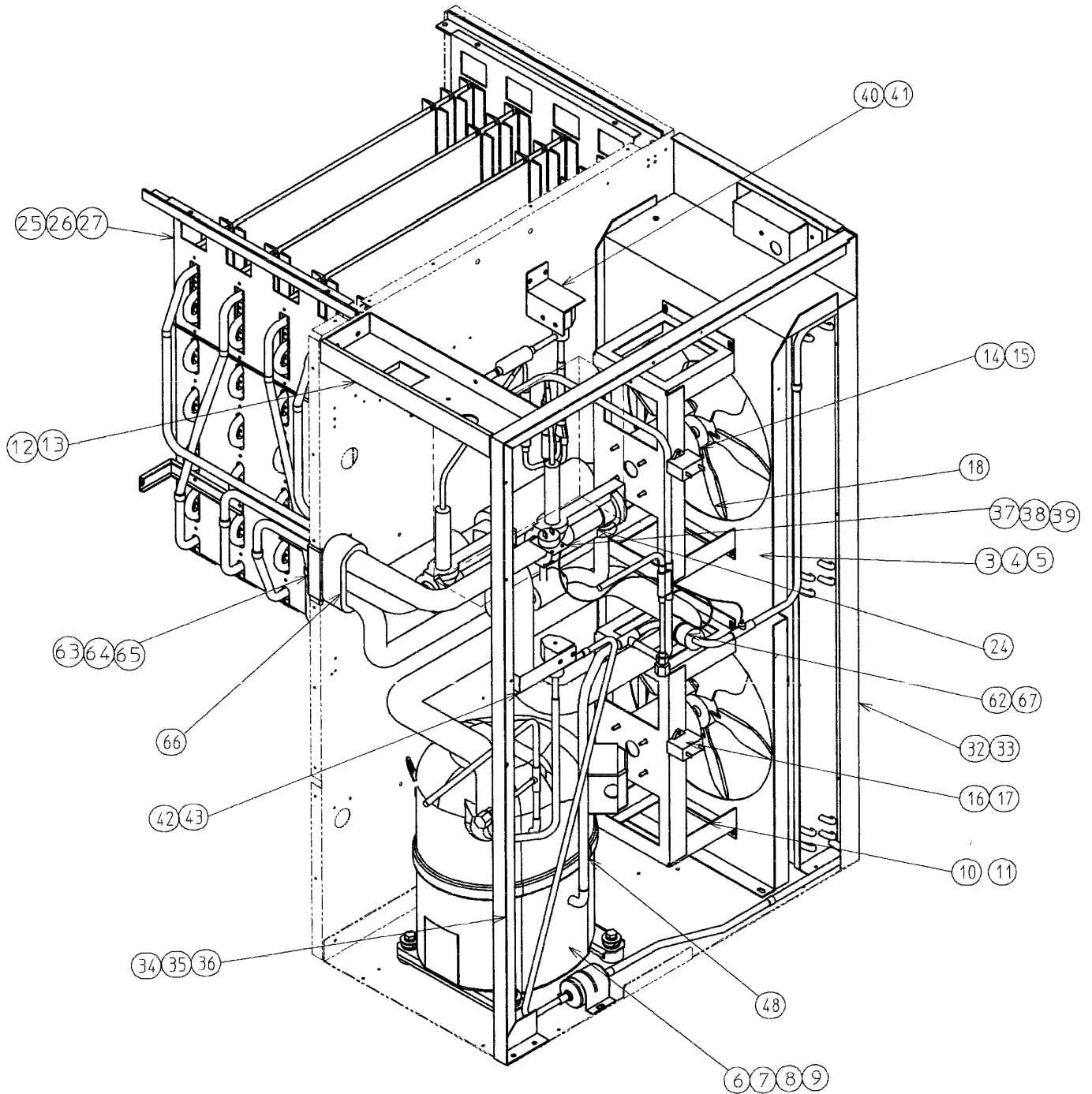


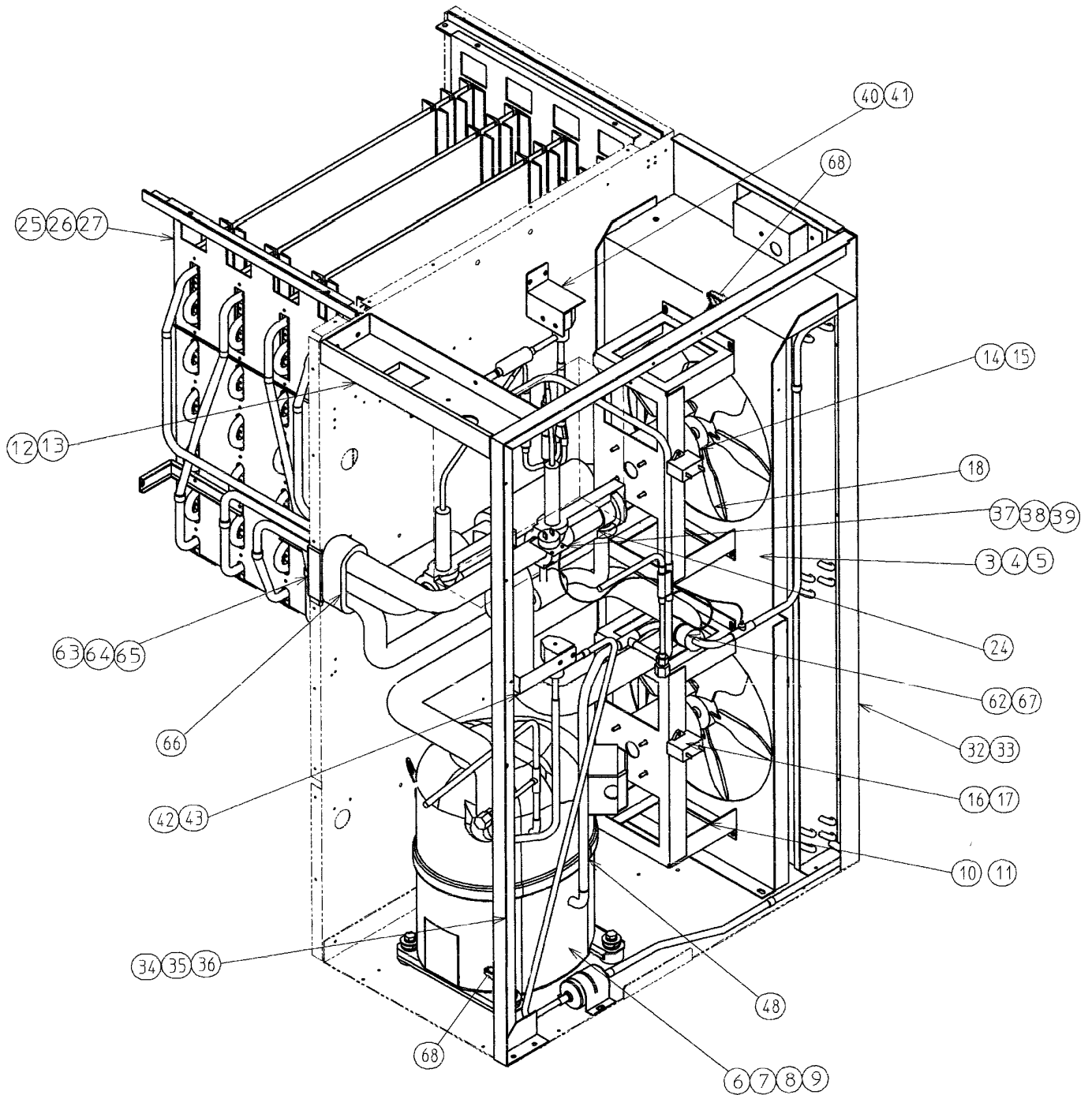


| MODEL: <b>KM-1300MRF</b> TITLE: <b>A. ICE CUBER ASSEMBLY</b> |                       |                          |             |                 |     |     |  |  |
|--|-----------------------|--------------------------|-------------|-----------------|-----|-----|--|--|
| INDEX NO.  | DESCRIPTION           | MATERIAL OR MODEL NUMBER | PART NUMBER | REQUIRED NUMBER |     |     |  |  |
|  |                       |                          |             | J-0             | K-0 | L-0 |  |  |
| B  | REFRIGERATION CIRCUIT | -                        | 1A0464A01   | 1               | 1   | 1   |  |  |
| C  | WATER CIRCUIT         | -                        | 1A0094A04   | 1               | 1   | 1   |  |  |
| D  | CONTROL BOX ASSEMBLY  | -                        | 2A1081A02   | 1               | 1   | 1   |  |  |
|  | T2 SCREW              | 4X8                      | 7P31-0408   | 3               | 3   | 3   |  |  |
| E  | LABEL LOCATION        | -                        | 2A1654A01   | 1               | 1   | 1   |  |  |
|  |                       |                          |             |                 |     |     |  |  |
| 1  | EVAP. CASE            | -                        | 105124G07   | 1               | 1   | 1   |  |  |
| 2  | CONTROL BOX COVER     | GS                       | 3A0174-01   | 1               | 1   | 1   |  |  |
|  | T2 SCREW              | 4X8                      | 7P31-0408   | 1               | 1   | 1   |  |  |
| 3  | FRAME (F)             | GS                       | 324093-01   | 1               | 1   | 1   |  |  |
|  | T2 SCREW              | 4X8                      | 7P31-0408   | 4               | 4   | 4   |  |  |
| 4  | SQUARE WASHER         | BRASS                    | 433537-02   | 2               | 2   |     |  |  |
| 5  | SCREW - GROUNDING     | BRASS                    | 433304-02   | 2               | 2   | 2   |  |  |
| 6  | BUSHING               | SR-34-2                  | 420472-05   | 1               | 1   | 1   |  |  |
| 7  | JUNCTION BOX COVER    | GS                       | 433410-01   | 2               | 2   | 2   |  |  |
|  | T2 SCREW              | 4X8                      | 7P31-0408   | 2               | 2   | 2   |  |  |
| 8  | SPACER                | PE                       | 443545-01   | 2               | 2   | 2   |  |  |
| 9  | CAPILLARY RING        | EPDM                     | 425307-01   | 1               | 1   | 1   |  |  |
| 10   | TOP PANEL             | (323836A01), SS          | 212687-01   | 1               | 1   | 1   |  |  |
| 11   | GASKET                | PVC                      | 427014-04   | 3               | 3   | 3   |  |  |
| 12   | WIRE SADDLE           | VWS4274-C                | 4A0338-03   | 5               | 5   | 5   |  |  |
| 13   | TOP INSULATION        | ABS, PE                  | 322714G01   | 1               | 1   | 1   |  |  |
| 14   | FRONT INSULATION      | ABS,PE                   | 322711G01   | 1               | 1   | 1   |  |  |
| 15   | SIDE PANEL (R)        | SS                       | 212688G01   | 1               | 1   | 1   |  |  |
| 16   | FRONT PANEL           | SS                       | 212686-01   | 1               | 1   | 1   |  |  |
| 17   | WIRE SADDLE           | VWS4218-C                | 4A0338-01   | 1               | 1   | 1   |  |  |
| 18   | BARRIER               | GS                       | 3A0235-01   | 1               | 1   | 1   |  |  |
| 19   | WIRE SADDLE           | VWS42105-C               | 4A0338-04   | 1               | 1   | 1   |  |  |

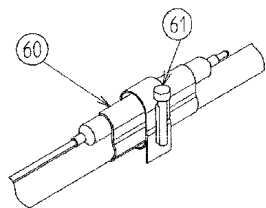
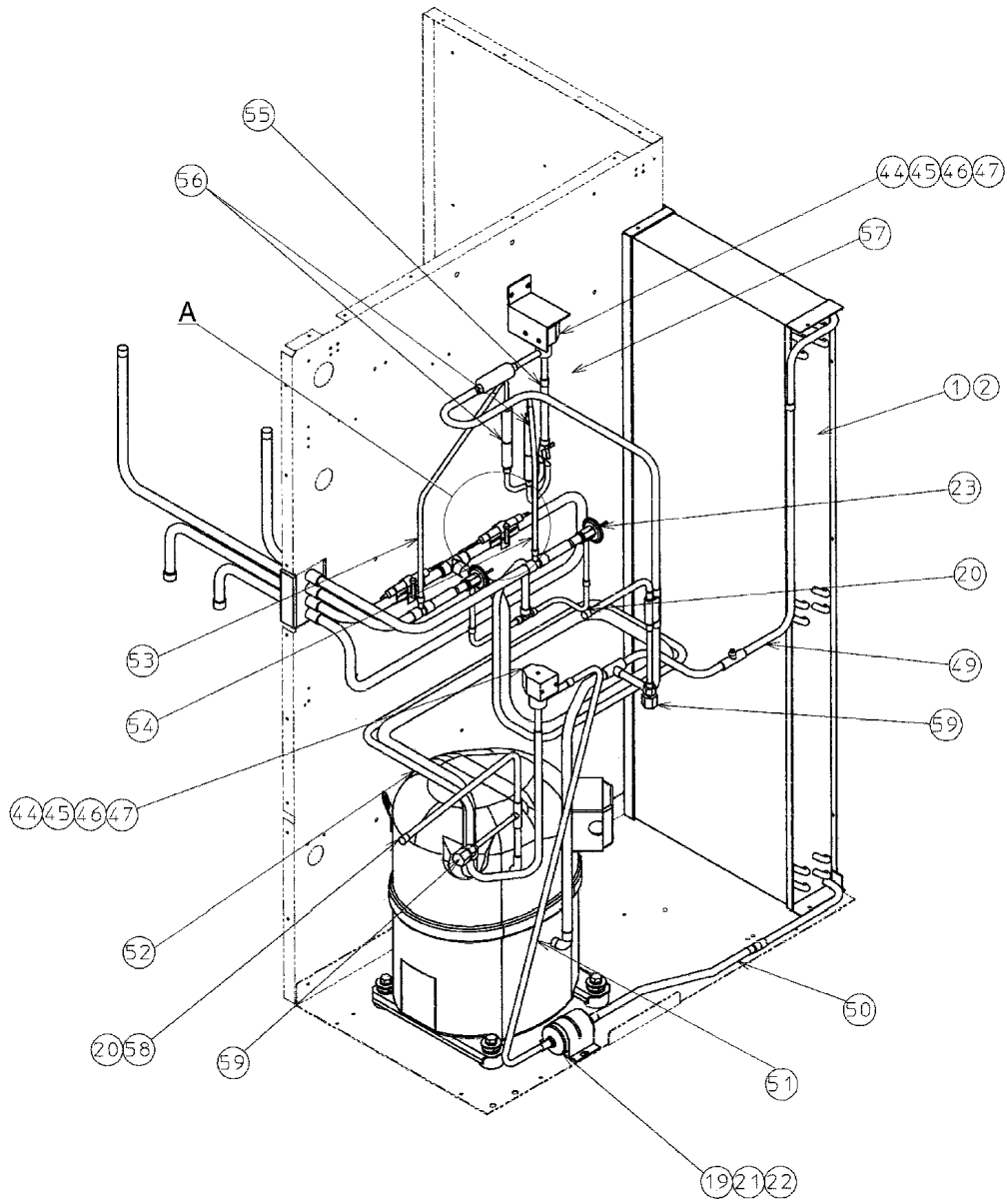
H A

| MODEL: <b>KM-1300MRF</b> TITLE: <b>A. ICE CUBER ASSEMBLY</b> |             |                          |             |                 |     |     |  |  |
|--|-------------|--------------------------|-------------|-----------------|-----|-----|--|--|
| INDEX NO.  | DESCRIPTION | MATERIAL OR MODEL NUMBER | PART NUMBER | REQUIRED NUMBER |     |     |  |  |
|  |             |                          |             | J-0             | K-0 | L-0 |  |  |
| 20   | BUSHING     | SR-30-1                  | 420472-03   | 1               | 1   | 1   |  |  |
| 21   | BULB HOLDER | SS                       | 322815G02   | 1               | 1   | 1   |  |  |
| 22   | BULB HOLDER | ABS                      | 328919-01   | 1               | 1   | 1   |  |  |
| 23   | WIRE SADDLE | VWS4238-C                | 4A0338-02   | 2               | 2   | 2   |  |  |
| 24   | GASKET      | L-762                    | 4A0808L02   |                 |     | 1   |  |  |
|  |             |                          |             |                 |     |     |  |  |
|  |             |                          |             |                 |     |     |  |  |
|  |             |                          |             |                 |     |     |  |  |
|  |             |                          |             |                 |     |     |  |  |
|  |             |                          |             |                 |     |     |  |  |
|  |             |                          |             |                 |     |     |  |  |
|  |             |                          |             |                 |     |     |  |  |
|  |             |                          |             |                 |     |     |  |  |
|  |             |                          |             |                 |     |     |  |  |
|  |             |                          |             |                 |     |     |  |  |
|  |             |                          |             |                 |     |     |  |  |
|  |             |                          |             |                 |     |     |  |  |
|  |             |                          |             |                 |     |     |  |  |
|  |             |                          |             |                 |     |     |  |  |
|  |             |                          |             |                 |     |     |  |  |
|  |             |                          |             |                 |     |     |  |  |
|  |             |                          |             |                 |     |     |  |  |
|  |             |                          |             |                 |     |     |  |  |
|  |             |                          |             |                 |     |     |  |  |
|  |             |                          |             |                 |     |     |  |  |

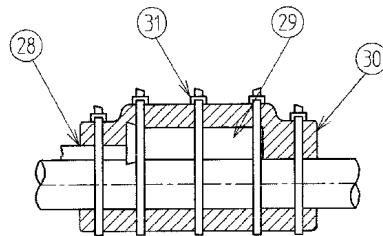








Detail A

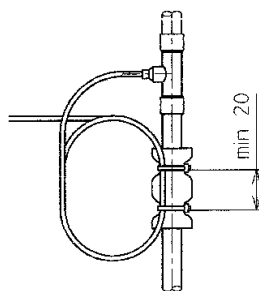
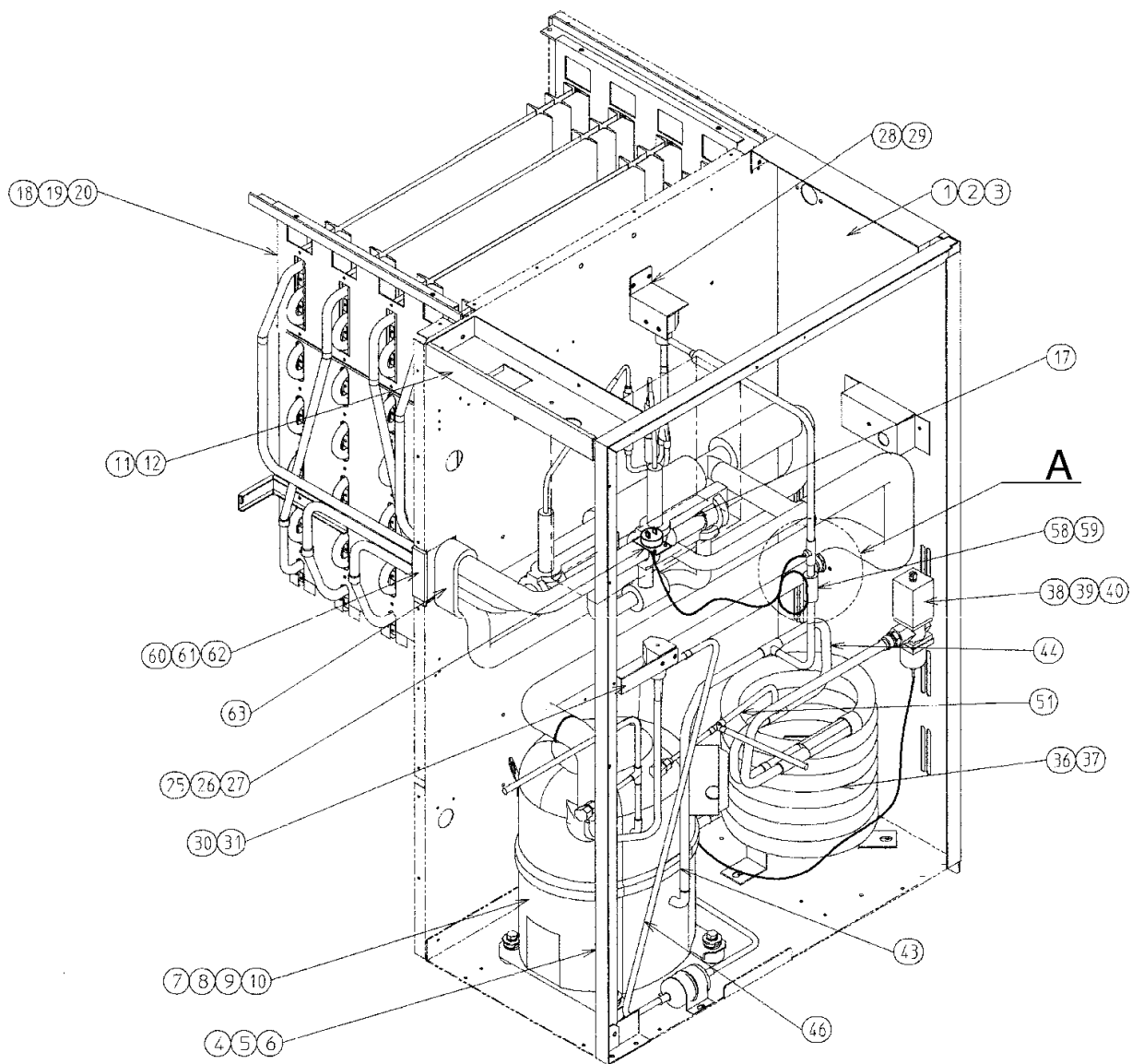


Detailed Thermistor Attachment

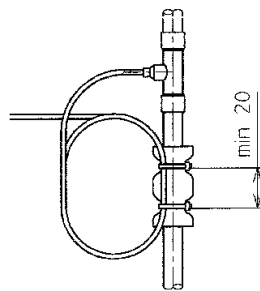
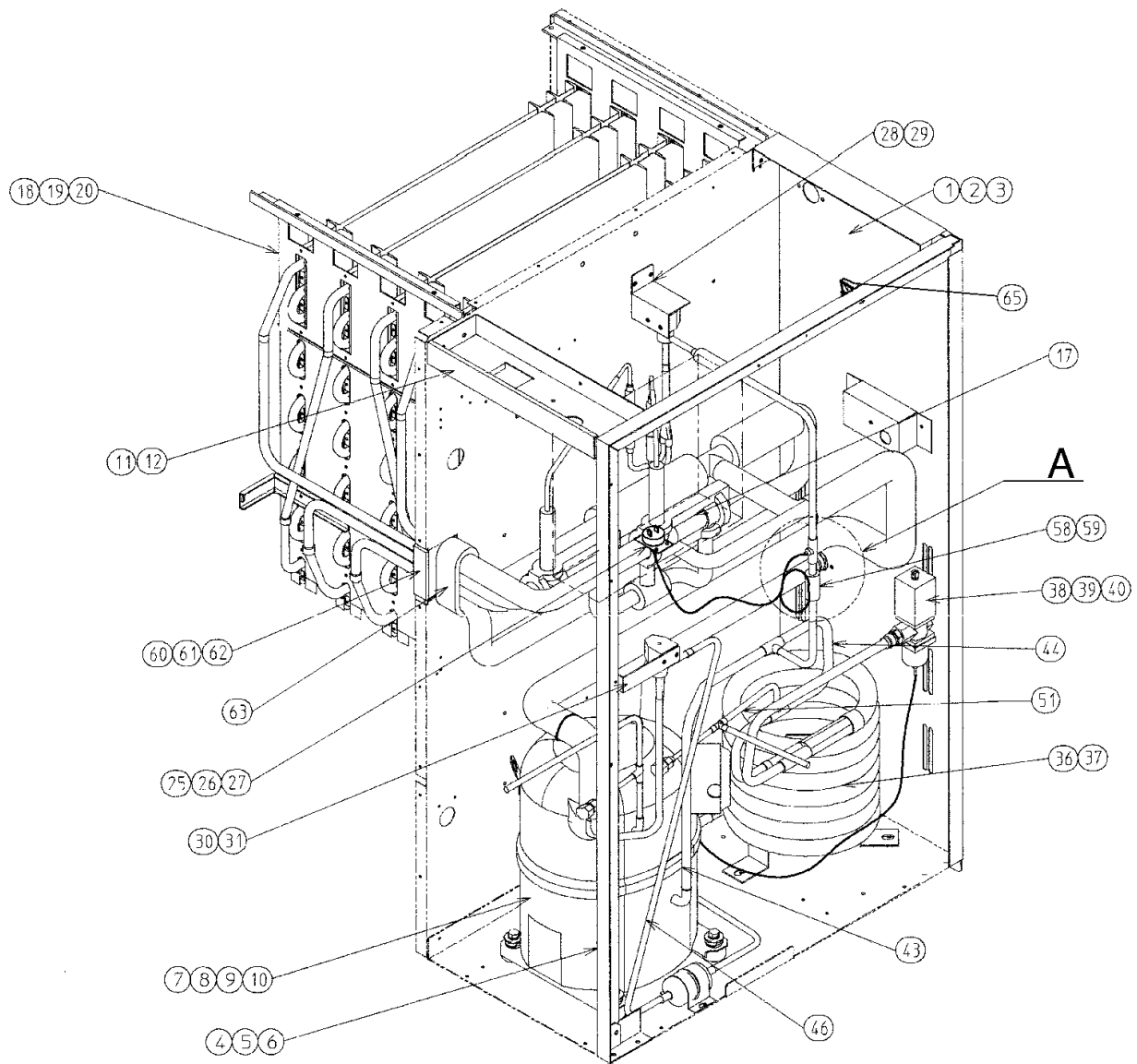
| MODEL: <b>KM-1300MAF</b> TITLE: <b>B. REFRIGERATION CIRCUIT</b> |                             |                          |             |                 |     |     |  |  |
|---|-----------------------------|--------------------------|-------------|-----------------|-----|-----|--|--|
| INDEX NO.   | DESCRIPTION                 | MATERIAL OR MODEL NUMBER | PART NUMBER | REQUIRED NUMBER |     |     |  |  |
|   |                             |                          |             | J-0             | K-0 | L-0 |  |  |
| 1   | CONDENSER                   | -                        | 212589-01   | 1               | 1   | 1   |  |  |
| 2   | T2 SCREW                    | 4X8                      | 7P31-0408   | 4               | 4   | 4   |  |  |
| 3   | SHROUD                      | GS                       | 212666G07   | 1               | 1   | 1   |  |  |
| 4   | T2 SCREW                    | 4X8                      | 7P31-0408   | 4               | 4   | 4   |  |  |
| 5   | TRUSS HEAD SCREW            | 5X8                      | 7C31-05008  | 1               | 1   | 1   |  |  |
| 6   | COMPRESSOR                  | CS14K6E-PFV              | 4A1412-01   | 1               | 1   | 1   |  |  |
| 7   | BOLT                        | 8x45                     | 437889-01   | 4               | 4   | 4   |  |  |
| 8   | GROMMET                     | 027-0167-00              | 434922-01   | 4               | 4   | 4   |  |  |
| 9   | SPACER                      | 028-0188-02              | 434921-01   | 4               | 4   | 4   |  |  |
| 10  | FAN MOTOR BRACKET           | GS                       | 2A0181-01   | 2               | 2   | 2   |  |  |
| 11  | HEX HEAD BOLT W/WASHER (LF) | 5X10                     | 7B0230510   | 8               | 8   | 8   |  |  |
| 12  | FRAME (C)                   |                          | 3A0347-01   | 1               | 1   | 1   |  |  |
| 13  | T2 SCREW                    | 4X8                      | 7P31-0408   | 2               | 2   | 2   |  |  |
| 14  | FAN MOTOR                   | U90B1, 7190-1031         | 440911-01   | 2               | 2   | 2   |  |  |
| 15  | SELF-LOCKING NUT            | No. 8-32                 | 7N21I0832   | 8               | 8   | 8   |  |  |
| 16  | CAPACITOR                   | 5MFD, 250V               | 443192-02   | 2               | 2   | 2   |  |  |
| 17  | T2 SCREW                    | 4X8                      | 7P31-0408   | 2               | 2   | 2   |  |  |
| 18  | FAN BLADE                   | AD10CW32                 | 444898-01   | 2               | 2   | 2   |  |  |
| 19  | DRIER                       | CW-0325-S                | 4A1413-01   | 1               | 1   | 1   |  |  |
| 20  | ENDCAP                      |                          | 4A1413F01   | 2               | 2   | 2   |  |  |
| 21  | DRIER BRACKET               |                          | 4A0807-01   | 1               | 1   | 1   |  |  |
| 22  | T2 SCREW                    | 4X8                      | 7P31-0408   | 2               | 2   | 2   |  |  |
| 23  | EXPANSION VALVE             | HFE-10NHD-2              | 4A1414-01   | 2               | 2   | 2   |  |  |
| 24  | EXP. VALVE COVER            | PE FOAM                  | 3A0944-01   | 2               | 2   | 2   |  |  |
| 25  | EVAPORATOR                  | -                        | 104442G01   | 1               | 1   | 1   |  |  |
| 26  | TRUSS HEAD SCREW            | SS, 4X8                  | 7C32-0408   | 4               | 4   | 4   |  |  |
| 27  | T2 SCREW                    | SS, 4X8                  | 7P31-0408   | 2               | 2   | 2   |  |  |

| MODEL: <b>KM-1300MAF</b> TITLE: <b>B. REFRIGERATION CIRCUIT</b> |                             |                          |             |                 |     |     |  |  |
|---|-----------------------------|--------------------------|-------------|-----------------|-----|-----|--|--|
| INDEX NO.   | DESCRIPTION                 | MATERIAL OR MODEL NUMBER | PART NUMBER | REQUIRED NUMBER |     |     |  |  |
|   |                             |                          |             | J-0             | K-0 | L-0 |  |  |
| 28  | THERMISTOR                  | -                        | 429006-03   | 1               | 1   | 1   |  |  |
| 29  | HOLDER - THERMISTOR         | COPPER                   | 438247-01   | 1               | 1   | 1   |  |  |
| 30  | INSULATION - THERMISTOR     | PE FOAM                  | 427441-01   | 1               | 1   | 1   |  |  |
| 31  | TIE                         | CV-200                   | 7920-0010   | 3               | 3   | 3   |  |  |
| 32  | BARRIER (B)                 | GS                       | 435056-01   | 1               | 1   | 1   |  |  |
| 33  | T2 SCREW                    | 4X8                      | 7P31-0408   | 3               | 3   | 3   |  |  |
| 34  | FRAME                       |                          | 3A0350G01   | 1               | 1   | 1   |  |  |
| 35  | FT SCREW                    | SS, 4X8                  | 7F32-0408   | 4               | 4   | 4   |  |  |
| 36  | T2 SCREW                    | 4X8                      | 7P31-0408   | 2               | 2   | 2   |  |  |
| 37  | PRESSURE SWITCH             | ACB-1UB09                | 433441-07   | 1               | 1   | 1   |  |  |
| 38  | PRESSURE SWITCH BRACKET     | GS                       | 434938-01   | 1               | 1   | 1   |  |  |
| 39  | T2 SCREW                    | 4X8                      | 7P31-0408   | 1               | 1   | 1   |  |  |
| 40  | HOT GAS VALVE BRACKET       | GS                       | 444816-01   | 1               | 1   | 1   |  |  |
| 41  | T2 SCREW                    | 4X8                      | 7P31-0408   | 2               | 2   | 2   |  |  |
| 42  | LINE VALVE BRACKET          | GS                       | 4A1544-01   | 1               | 1   | 1   |  |  |
| 43  | T2 SCREW                    | 4X8                      | 7P31-0408   | 2               | 2   | 2   |  |  |
| 44  | VALVE BODY                  | 70                       | 440352-01   | 2               | 2   | 2   |  |  |
| 45  | COIL - VALVE                | ABS-25-1-HD-2            | 440353-01   | 2               | 2   | 2   |  |  |
| 46  | BOLT                        | 4x6                      | 440353F01   | 2               | 2   | 2   |  |  |
| 47  | TRUSS HEAD SCREW            | 4X8                      | 7C31-0408   | 4               | 4   | 4   |  |  |
| 48  | COPPER TUBE (A) – HIGH SIDE | COPPER                   | 2A1663G01   | 1               | 1   | 1   |  |  |
| 49  | COPPER TUBE (B) – HIGH SIDE | COPPER                   | 2A1665G01   | 1               | 1   | 1   |  |  |
| 50  | COPPER TUBE (C) – HIGH SIDE | COPPER                   | 3A1491-01   | 1               | 1   | 1   |  |  |
| 51  | COPPER TUBE – LINE VALVE    | COPPER                   | 4A1994-01   | 1               | 1   | 1   |  |  |
| 52  | HEAT EXCHANGER              | -                        | 1A0479G01   | 1               | 1   | 1   |  |  |
| 53  | COPPER TUBE (L) – LOW SIDE  | COPPER                   | 2A1666G01   | 1               | 1   | 1   |  |  |
| 54  | COPPER TUBE (R) – LOW SIDE  | COPPER                   | 2A1667G01   | 1               | 1   | 1   |  |  |

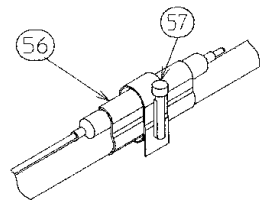
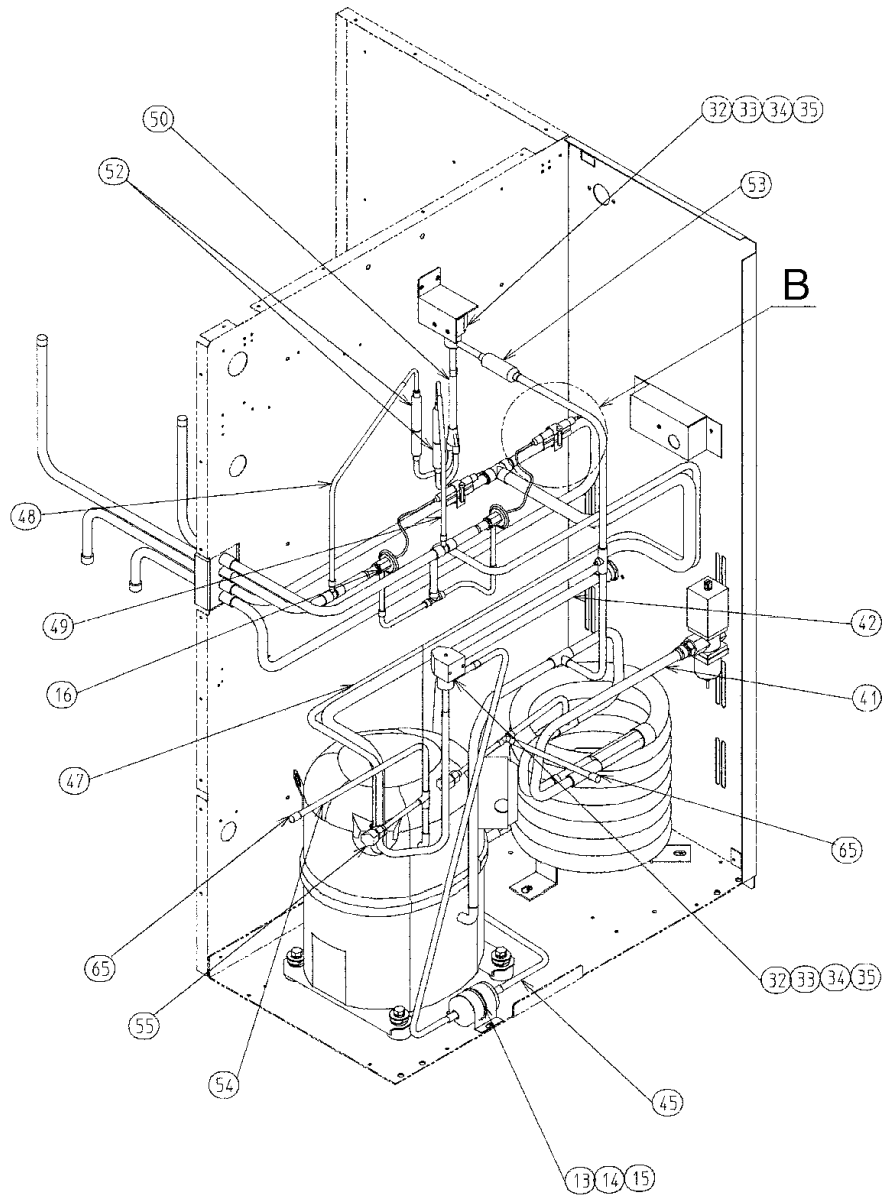
| MODEL: <b>KM-1300MAF</b> TITLE: <b>B. REFRIGERATION CIRCUIT</b> |                            |                          |             |                 |     |     |  |  |
|---|----------------------------|--------------------------|-------------|-----------------|-----|-----|--|--|
| INDEX NO.   | DESCRIPTION                | MATERIAL OR MODEL NUMBER | PART NUMBER | REQUIRED NUMBER |     |     |  |  |
|   |                            |                          |             | J-0             | K-0 | L-0 |  |  |
| 55  | COPPER TUBE - HOT GAS      | COPPER                   | 3A0213G01   | 1               | 1   | 1   |  |  |
| 56  | CHECK VALVE                | SKC 30564                | 4A1373-01   | 2               | 2   | 2   |  |  |
| 57  | STRAINER                   |                          | 441569-02   | 1               | 1   | 1   |  |  |
| 58  | COPPER TUBE – ACCESS VALVE | COPPER                   | 3A1518G01   | 1               | 1   | 1   |  |  |
| 59  | ACCESS VALVE               | -                        | 446715-01   | 2               | x2  | x2  |  |  |
|   |                            | -                        | 457729-01   |                 |     | o2  |  |  |
| 60  | HOLDER/EXP. VALVE – 3/8    |                          | 3A0107-01   | 2               | 2   | 2   |  |  |
| 61  | CLAMP                      |                          | 443461-02   | 2               | 2   | 2   |  |  |
| 62  | CABLE TIE                  | CV-200                   | 7920-0010   | 12              | 12  | 12  |  |  |
| 63  | INSULATED RUBBER TUBE      |                          | 323975G01   | 1               | 1   | 1   |  |  |
| 64  | INSULATION HOLDER          |                          | 3A0979-01   | 1               | 1   | 1   |  |  |
| 65  | T2 SCREW                   | SS, 4X8                  | 7P32-0408   | 2               | 2   | 2   |  |  |
| 66  | INSULATION                 |                          | 436671-01   | 1               | 1   | 1   |  |  |
| 67  | INSULATION TUBE            | L=40                     | 7762-1020   | 1               | 1   | 1   |  |  |
| 68  | CLAMP                      | -                        | 4A2338-01   |                 |     | 2   |  |  |
|   |                            |                          |             |                 |     |     |  |  |
|   |                            |                          |             |                 |     |     |  |  |
|   |                            |                          |             |                 |     |     |  |  |
|   |                            |                          |             |                 |     |     |  |  |
|   |                            |                          |             |                 |     |     |  |  |
|   |                            |                          |             |                 |     |     |  |  |
|   |                            |                          |             |                 |     |     |  |  |
|   |                            |                          |             |                 |     |     |  |  |
|   |                            |                          |             |                 |     |     |  |  |
|   |                            |                          |             |                 |     |     |  |  |
|   |                            |                          |             |                 |     |     |  |  |
|   |                            |                          |             |                 |     |     |  |  |
|   |                            |                          |             |                 |     |     |  |  |



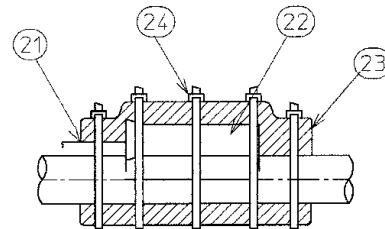
Detail A



Detail A



Detail B



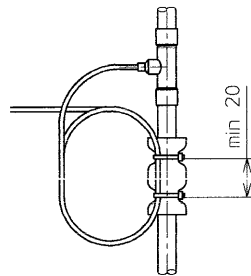
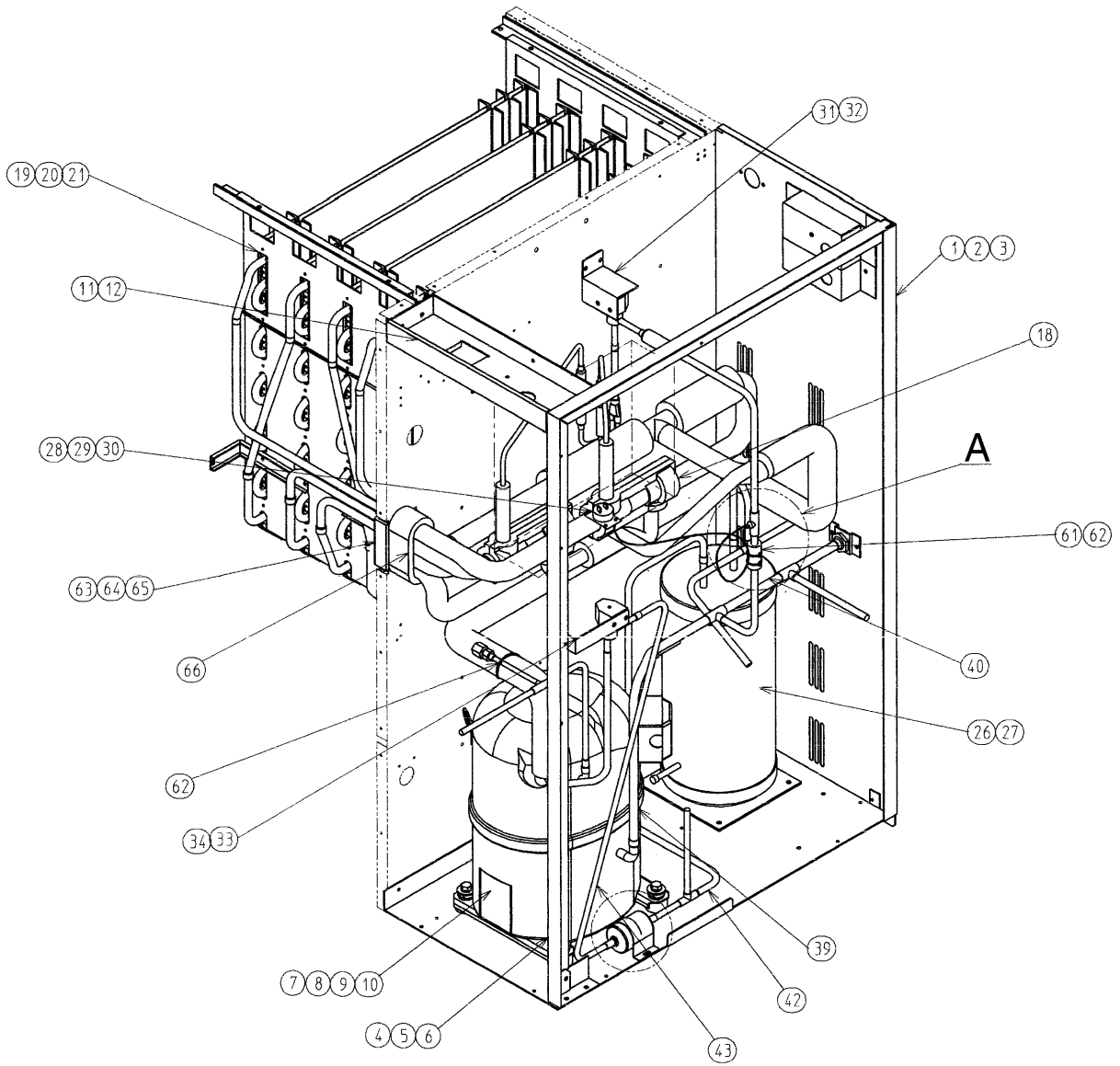
Detailed Thermistor Attachment

| MODEL: <b>KM-1300MWF</b> TITLE: <b>B. REFRIGERATION CIRCUIT</b> |                         |                          |             |                 |     |     |  |  |
|---|-------------------------|--------------------------|-------------|-----------------|-----|-----|--|--|
| INDEX NO.   | DESCRIPTION             | MATERIAL OR MODEL NUMBER | PART NUMBER | REQUIRED NUMBER |     |     |  |  |
|   |                         |                          |             | J-0             | K-0 | L-0 |  |  |
| 1   | REAR PANEL              |                          | 3A1485G01   | 1               | 1   | 1   |  |  |
| 2   | FT SCREW                | SS, 4X8                  | 7F32-0408   | 2               | 2   | 2   |  |  |
| 3   | T2 SCREW                | 4X8                      | 7P31-0408   | 5               | 5   | 5   |  |  |
| 4   | FRAME                   |                          | 3A0350G01   | 1               | 1   | 1   |  |  |
| 5   | FT SCREW                | SS, 4X8                  | 7F32-0408   | 4               | 4   | 4   |  |  |
| 6   | T2 SCREW                | 4X8                      | 7P31-0408   | 2               | 2   | 2   |  |  |
| 7   | COMPRESSOR              | CS14K6E-PFV              | 4A1412-01   | 1               | 1   | 1   |  |  |
| 8   | BOLT                    | 8x45                     | 437889-01   | 4               | 4   | 4   |  |  |
| 9   | GROMMET                 | 027-0167-00              | 434922-01   | 4               | 4   | 4   |  |  |
| 10  | SPACER                  | 028-0188-02              | 434921-01   | 4               | 4   | 4   |  |  |
| 11  | FRAME (C)               |                          | 3A0347-01   | 1               | 1   | 1   |  |  |
| 12  | T2 SCREW                | 4X8                      | 7P31-0408   | 2               | 2   | 2   |  |  |
| 13  | DRIER                   | CW-0325-S                | 4A1413-01   | 1               | 1   | 1   |  |  |
| 14  | DRIER BRACKET           |                          | 4A0807-01   | 1               | 1   | 1   |  |  |
| 15  | T2 SCREW                | 4X8                      | 7P31-0408   | 2               | 2   | 2   |  |  |
| 16  | EXPANSION VALVE         | HFE-10NHD-2              | 4A1414-01   | 2               | 2   | 2   |  |  |
| 17  | EXP. VALVE COVER        | PE FOAM                  | 3A0944-01   | 1               | 1   | 1   |  |  |
| 18  | EVAPORATOR              | -                        | 104442G01   | 1               | 1   | 1   |  |  |
| 19  | TRUSS HEAD SCREW        | SS, 4X8                  | 7C32-0408   | 4               | 4   | 4   |  |  |
| 20  | T2 SCREW                | SS, 4X8                  | 7P31-0408   | 2               | 2   | 2   |  |  |
| 21  | THERMISTOR              | -                        | 429006-03   | 1               | 1   | 1   |  |  |
| 22  | HOLDER - THERMISTOR     | COPPER                   | 438247-01   | 1               | 1   | 1   |  |  |
| 23  | INSULATION - THERMISTOR | PE FOAM                  | 427441-01   | 1               | 1   | 1   |  |  |
| 24  | CABLE TIE               | CV-200                   | 7920-0010   | 3               | 3   | 3   |  |  |
| 25  | PRESSURE SWITCH         | ACB-2UB04                | 433441-05   | 1               | 1   | 1   |  |  |
| 26  | PRESSURE SWITCH BRACKET | GS                       | 434938-01   | 1               | 1   | 1   |  |  |
| 27  | T2 SCREW                | 4X8                      | 7P31-0408   | 1               | 1   | 1   |  |  |
| 28  | HOT GAS VALVE BRACKET   | GS                       | 444816-01   | 1               | 1   | 1   |  |  |
| 29  | T2 SCREW                | 4X8                      | 7P31-0408   | 2               | 2   | 2   |  |  |

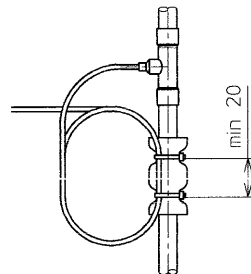
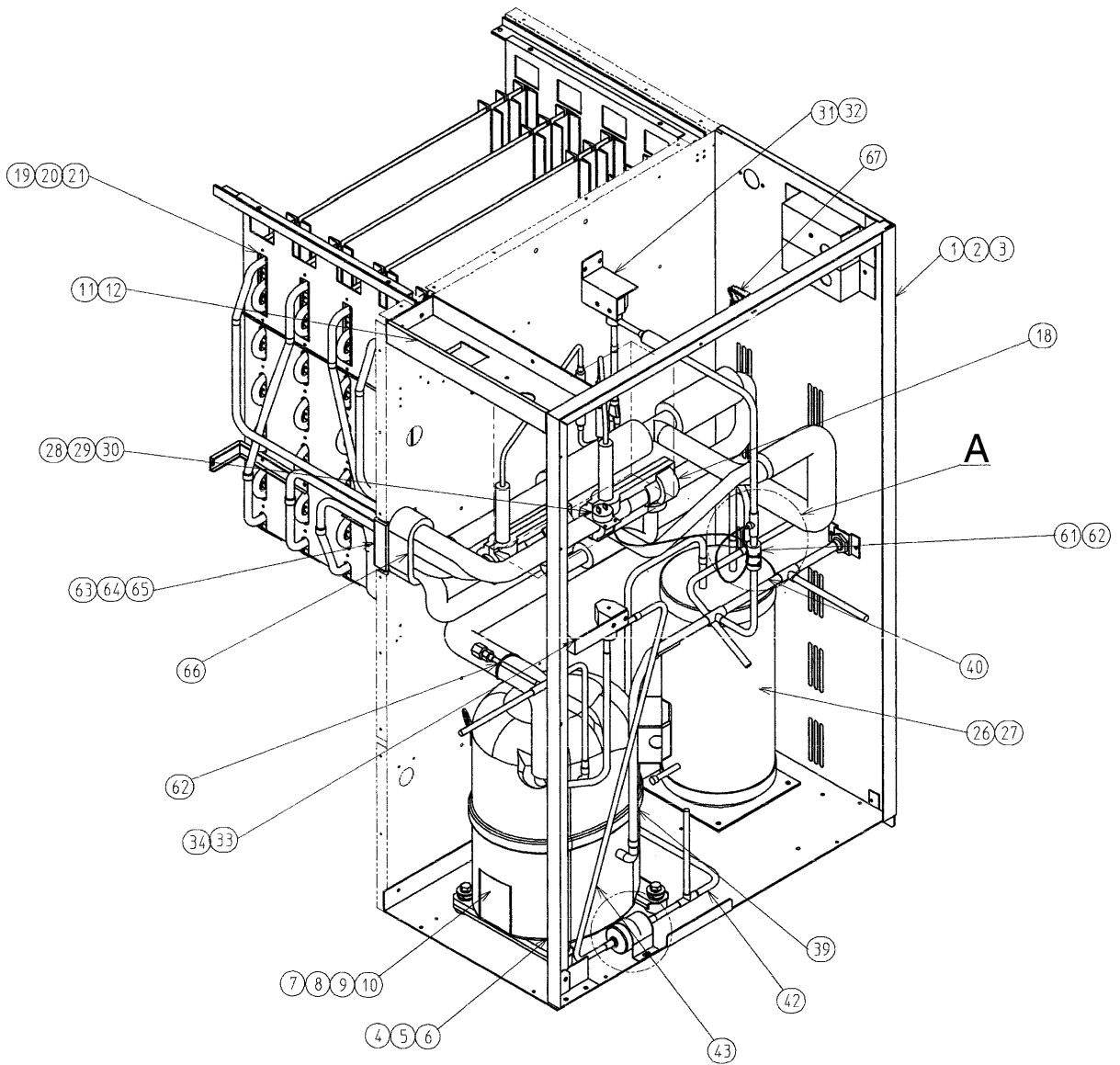


| MODEL: <b>KM-1300MMF</b> TITLE: <b>B. REFRIGERATION CIRCUIT</b> |                             |                          |             |                 |     |     |  |  |
|---|-----------------------------|--------------------------|-------------|-----------------|-----|-----|--|--|
| INDEX NO.   | DESCRIPTION                 | MATERIAL OR MODEL NUMBER | PART NUMBER | REQUIRED NUMBER |     |     |  |  |
|   |                             |                          |             | J-0             | K-0 | L-0 |  |  |
| 30  | LINE VALVE BRACKET          |                          | 4A1544-01   | 1               | 1   | 1   |  |  |
| 31  | T2 SCREW                    | 4X8                      | 7P31-0408   | 2               | 2   | 2   |  |  |
| 32  | VALVE BODY                  | 70                       | 440352-01   | 2               | 2   | 2   |  |  |
| 33  | COIL - VALVE                | ABS-25-1-HD-2            | 440353-01   | 2               | 2   | 2   |  |  |
| 34  | BOLT                        |                          | 440353F01   | 2               | 2   | 2   |  |  |
| 35  | TRUSS HEAD SCREW            | 4X8                      | 7C31-0408   | 4               | 4   | 4   |  |  |
| 36  | CONDENSER                   |                          | 4A1656-01   | 1               | 1   | 1   |  |  |
| 37  | HEX HEAD BOLT W/WASHER (LF) | 5X12                     | 7B0230512   | 3               | 3   | 3   |  |  |
| 38  | WATER REGULATOR             | V46DA-3                  | 4A0911-03   | 1               | 1   | 1   |  |  |
| 39  | TRUSS HEAD SCREW            | 4X6                      | 7C31-0406   | 2               | 2   | 2   |  |  |
| 40  | MALE CONNECTOR              |                          | 4A1087-01   | 1               | 1   | 1   |  |  |
| 41  | COPPER TUBE (A)             | COPPER                   | 4A1991G01   | 1               | 1   | 1   |  |  |
| 42  | COPPER TUBE (B)             | COPPER                   | 3A1473G01   | 1               | 1   | 1   |  |  |
| 43  | COPPER TUBE (A) – HIGH SIDE | COPPER                   | 2A1692G01   | 1               | 1   | 1   |  |  |
| 44  | COPPER TUBE (B) – HIGH SIDE | COPPER                   | 4A1993G01   | 1               | 1   | 1   |  |  |
| 45  | COPPER TUBE (C) – HIGH SIDE | COPPER                   | 3A1475G01   | 1               | 1   | 1   |  |  |
| 46  | COPPER TUBE - LINE VALVE    | COPPER                   | 4A1994-01   | 1               | 1   | 1   |  |  |
| 47  | HEAT EXCHANGER              |                          | 1A0475G01   | 1               | 1   | 1   |  |  |
| 48  | COPPER TUBE (L) - LOW SIDE  | COPPER                   | 2A1666G01   | 1               | 1   | 1   |  |  |
| 49  | COPPER TUBE (R) - LOW SIDE  | COPPER                   | 2A1666G01   | 1               | 1   | 1   |  |  |
| 50  | COPPER TUBE - HOT GAS       | COPPER                   | 3A0213G01   | 1               | 1   | 1   |  |  |
| 51  | COPPER TUBE (J)             | COPPER                   | 3A1482G01   | 1               | 1   | 1   |  |  |
| 52  | CHECK VALVE                 |                          | 4A1373-01   | 2               | 2   | 2   |  |  |
| 53  | STRAINER                    |                          | 441569-02   | 1               | 1   | 1   |  |  |
| 54  | COPPER TUBE – ACCESS VALVE  | COPPER                   | 3A1518G01   | 1               | 1   | 1   |  |  |
| 55  | ACCESS VALVE                | -                        | 446715-01   | 2               | x2  |     |  |  |
|   |                             | -                        | 457729-01   |                 | o2  | 2   |  |  |

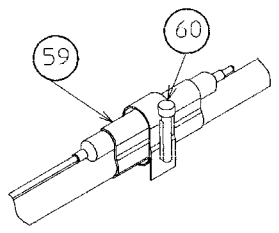
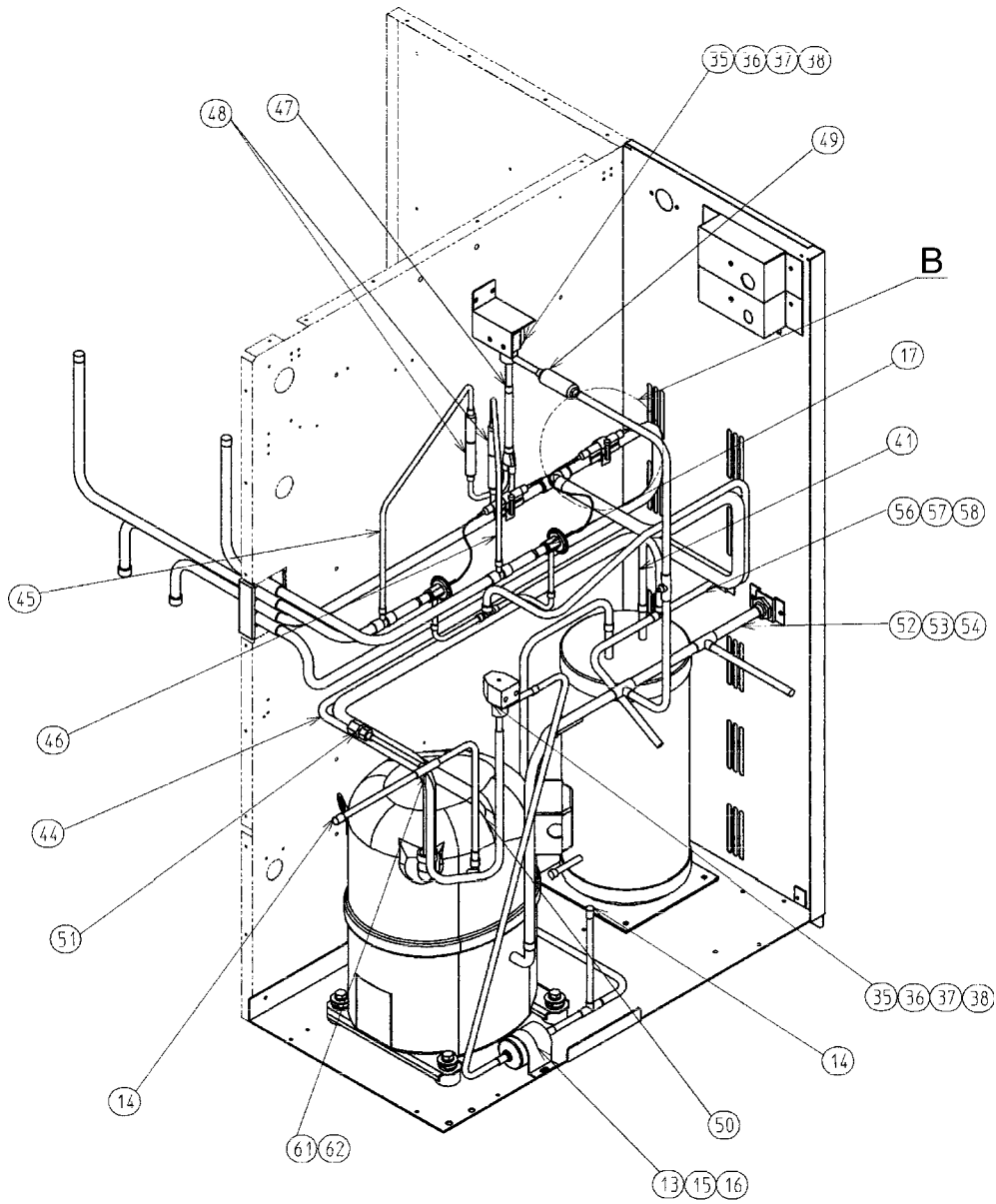




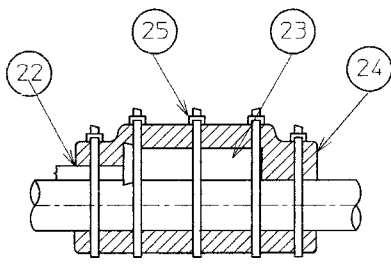
Detail A



Detail A



Detail B



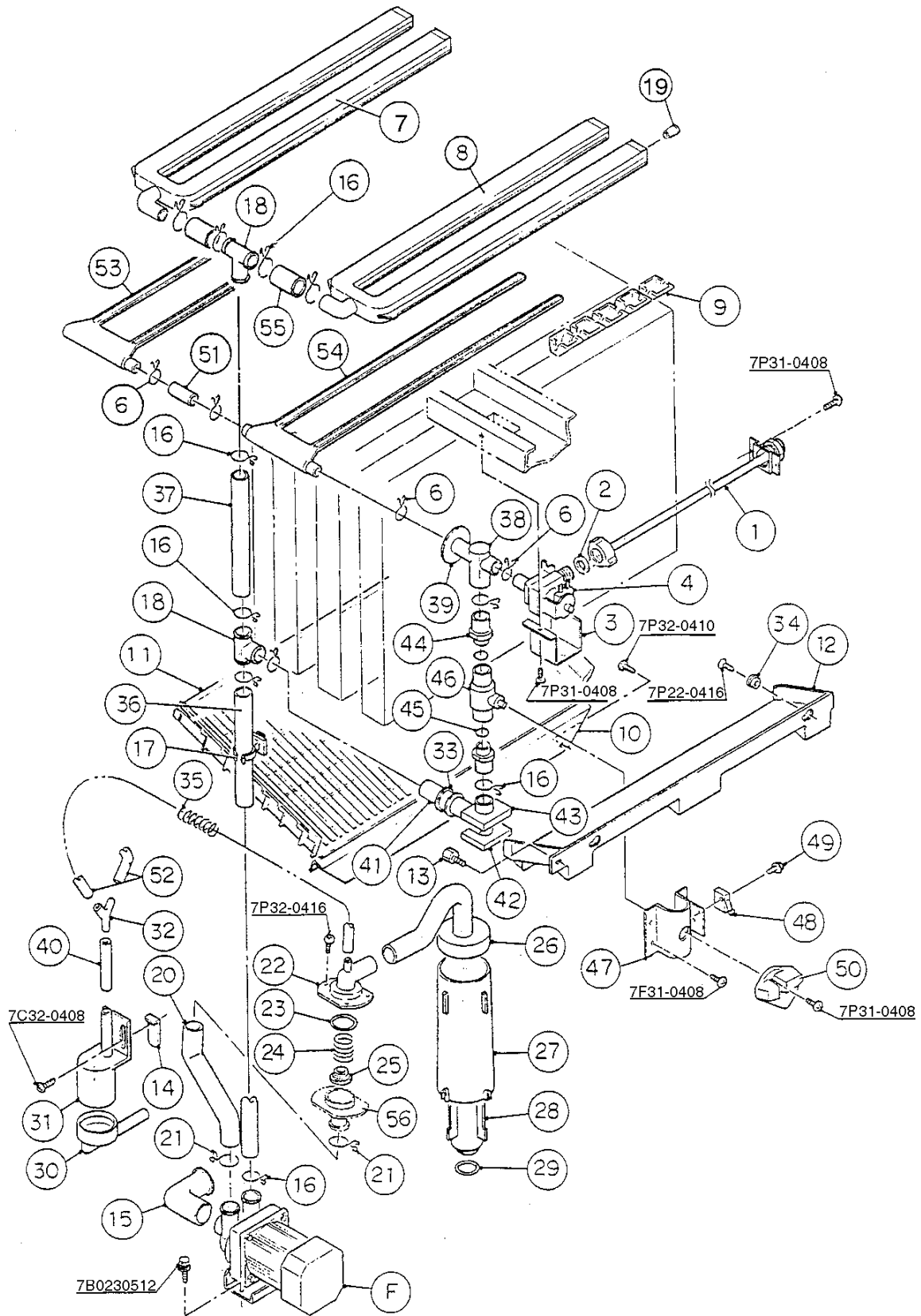
Detailed Thermistor Attachment

| MODEL: KM-1300MRF TITLE: B. REFRIGERATION CIRCUIT |                             |                          |             |                 |     |     |  |  |
|---|-----------------------------|--------------------------|-------------|-----------------|-----|-----|--|--|
| INDEX NO.   | DESCRIPTION                 | MATERIAL OR MODEL NUMBER | PART NUMBER | REQUIRED NUMBER |     |     |  |  |
|   |                             |                          |             | J-0             | K-0 | L-0 |  |  |
| 1   | REAR PANEL                  | -                        | 222025G03   | 1               | 1   | 1   |  |  |
| 2   | FT SCREW                    | SS, 4X8                  | 7F32-0408   | 2               | 2   | 2   |  |  |
| 3   | T2 SCREW                    | 4X8                      | 7P31-0408   | 5               | 5   | 5   |  |  |
| 4   | FRAME                       |                          | 3A0350G01   | 1               | 1   | 1   |  |  |
| 5   | FT SCREW                    | SS, 4X8                  | 7F32-0408   | 4               | 4   | 4   |  |  |
| 6   | T2 SCREW                    | 4X8                      | 7P31-0408   | 2               | 2   | 2   |  |  |
| 7   | COMPRESSOR                  | CS14K6E-PFV              | 4A1412-02   | 1               | 1   | 1   |  |  |
| 8   | BOLT                        | 8x45                     | 437889-01   | 4               | 4   | 4   |  |  |
| 9   | GROMMET                     | 027-0167-00              | 434922-01   | 4               | 4   | 4   |  |  |
| 10  | SPACER                      | 028-0188-02              | 434921-01   | 4               | 4   | 4   |  |  |
| 11  | FRAME (C)                   |                          | 3A0347-01   | 1               | 1   | 1   |  |  |
| 12  | T2 SCREW                    | 4X8                      | 7P31-0408   | 2               | 2   | 2   |  |  |
| 13  | DRIER                       | CW-0325-S                | 4A1413-01   | 1               | 1   | 1   |  |  |
| 14  | ENDCAP                      |                          | 4A1413F01   | 2               | 2   | 2   |  |  |
| 15  | DRIER BRACKET               |                          | 4A0807-01   | 1               | 1   | 1   |  |  |
| 16  | T2 SCREW                    | 4X8                      | 7P31-0408   | 2               | 2   | 2   |  |  |
| 17  | EXPANSION VALVE             | HFE-10NHD-2              | 4A1414-01   | 2               | 2   | 2   |  |  |
| 18  | EXP. VALVE COVER            | PE FOAM                  | 3A0944-01   | 2               | 2   | 2   |  |  |
| 19  | EVAPORATOR                  | -                        | 104442G01   | 1               | 1   | 1   |  |  |
| 20  | TRUSS HEAD SCREW            | SS, 4X8                  | 7C32-0408   | 4               | 4   | 4   |  |  |
| 21  | T2 SCREW                    | SS, 4X8                  | 7P32-0408   | 2               | 2   | 2   |  |  |
| 22  | THERMISTOR                  | -                        | 429006-03   | 1               | 1   | 1   |  |  |
| 23  | HOLDER - THERMISTOR         | COPPER                   | 438247-01   | 1               | 1   | 1   |  |  |
| 24  | INSULATION - THERMISTOR     | PE FOAM                  | 427441-01   | 1               | 1   | 1   |  |  |
| 25  | CABLE TIE                   | CV-200                   | 7920-0010   | 3               | 3   | 3   |  |  |
| 26  | RECIEVER                    |                          | 437652-01   | 1               | 1   | 1   |  |  |
| 27  | HEX HEAD BOLT W/WASHER (LF) | 5X10                     | 7B0230510   | 3               | 3   | 3   |  |  |

| MODEL: <b>KM-1300MRF</b> TITLE: <b>B. REFRIGERATION CIRCUIT</b> |                             |                          |             |                 |     |     |  |  |
|---|-----------------------------|--------------------------|-------------|-----------------|-----|-----|--|--|
| INDEX NO.   | DESCRIPTION                 | MATERIAL OR MODEL NUMBER | PART NUMBER | REQUIRED NUMBER |     |     |  |  |
|   |                             |                          |             | J-0             | K-0 | L-0 |  |  |
| 28  | PRESSURE SWITCH             | ACB-1UB09                | 433441-07   | 1               | 1   | 1   |  |  |
| 29  | PRESSURE SWITCH BRACKET     | GS                       | 434938-01   | 1               | 1   | 1   |  |  |
| 30  | T2 SCREW                    | 4X8                      | 7P31-0408   | 1               | 1   | 1   |  |  |
| 31  | HOT GAS VALVE BRACKET       | GS                       | 444816-01   | 1               | 1   | 1   |  |  |
| 32  | T2 SCREW                    | 4X8                      | 7P31-0408   | 2               | 2   | 2   |  |  |
| 33  | LINE VALVE BRACKET          | GS                       | 4A1544-01   | 1               | 1   | 1   |  |  |
| 34  | T2 SCREW                    | 4X8                      | 7P31-0408   | 2               | 2   | 2   |  |  |
| 35  | VALVE BODY                  | 70                       | 440352-01   | 2               | 2   | 2   |  |  |
| 36  | COIL - VALVE                | ABS-25-1-HD-2            | 440353-01   | 2               | 2   | 2   |  |  |
| 37  | BOLT                        | 4x6                      | 440353F01   | 2               | 2   | 2   |  |  |
| 38  | TRUSS HEAD SCREW            | 4X8                      | 7C31-0408   | 4               | 4   | 4   |  |  |
| 39  | COPPER TUBE (A) – HIGH SIDE | COPPER                   | 2A1692G01   | 1               | 1   | 1   |  |  |
| 40  | COPPER TUBE (B) – HIGH SIDE | COPPER                   | 4A2030G01   | 1               | 1   | 1   |  |  |
| 41  | COPPER TUBE (D) – HIGH SIDE | COPPER                   | 334095G01   | 1               | -   |     |  |  |
|   |                             | COPPER                   | 3A1603G01   |                 | 1   | 1   |  |  |
| 42  | COPPER TUBE (E) – HIGH SIDE | COPPER                   | 2A1672G01   | 1               | 1   | 1   |  |  |
| 43  | COPPER TUBE – LINE VALVE    | COPPER                   | 4A1994-01   | 1               | 1   | 1   |  |  |
| 44  | HEAT EXCHANGER              | -                        | 1A0475A01   | 1               | 1   | 1   |  |  |
| 45  | COPPER TUBE (L) – LOW SIDE  | COPPER                   | 2A1666G01   | 1               | 1   | 1   |  |  |
| 46  | COPPER TUBE (R) – LOW SIDE  | COPPER                   | 2A1667G01   | 1               | 1   | 1   |  |  |
| 47  | COPPER TUBE - HOT GAS       | COPPER                   | 3A0213G01   | 1               | 1   | 1   |  |  |
| 48  | CHECK VALVE                 | SKC 30564                | 4A1373-01   | 2               | 2   | 2   |  |  |
| 49  | STRAINER                    |                          | 441569-02   | 1               | 1   | 1   |  |  |
| 50  | COPPER TUBE – ACCESS VALVE  | COPPER                   | 3A1518G01   | 1               | 1   | 1   |  |  |
| 51  | ACCESS VALVE                | -                        | 446715-01   | 2               | x2  |     |  |  |
|   |                             | -                        | 457729-01   |                 | o2  | 2   |  |  |
| 52  | COUPLING                    |                          | 434136G01   | 1               | 1   | 1   |  |  |
| 53  | TUBE HOLDER - L             |                          | 438245-01   | 1               | 1   | 1   |  |  |
| 54  | T2 SCREW                    | 4X8                      | 7P31-0408   | 2               | 2   | 2   |  |  |



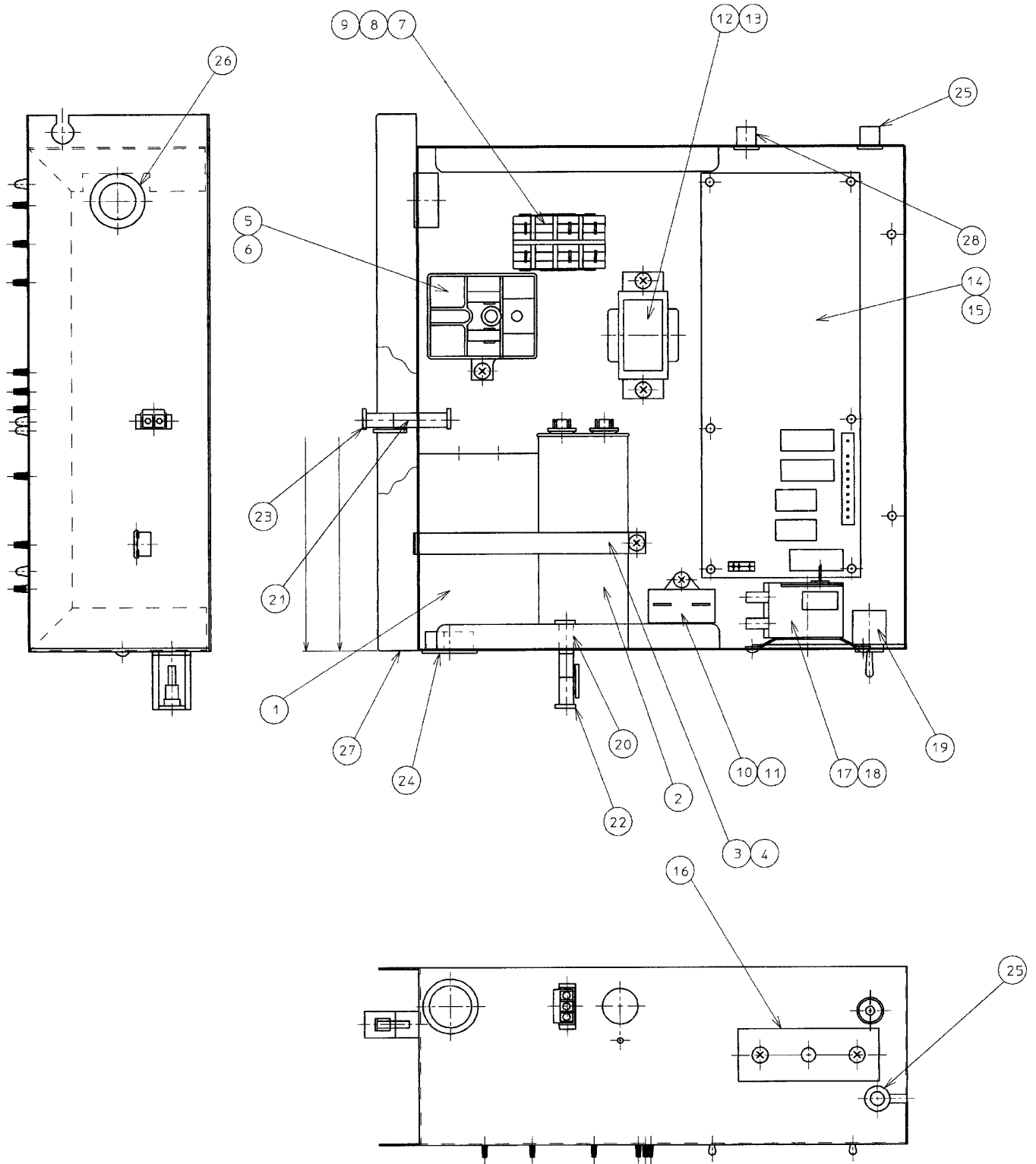




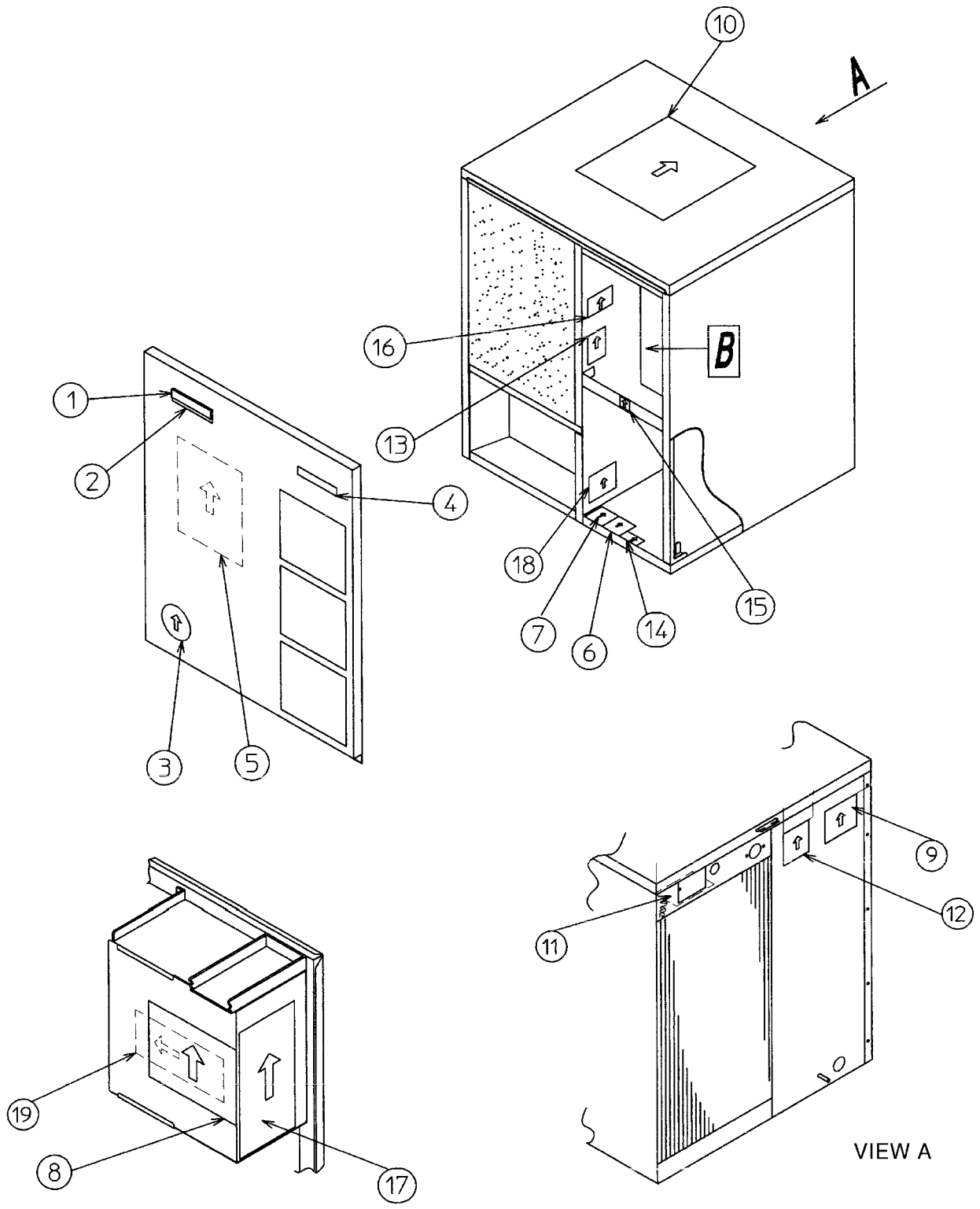
| MODEL: <b>KM-1300MAF, MWF, MRF</b> TITLE: <b>C. WATER CIRCUIT</b> |                             |                          |             |                 |     |     |  |  |
|---|-----------------------------|--------------------------|-------------|-----------------|-----|-----|--|--|
| INDEX NO.   | DESCRIPTION                 | MATERIAL OR MODEL NUMBER | PART NUMBER | REQUIRED NUMBER |     |     |  |  |
|   |                             |                          |             | J-0             | K-0 | L-0 |  |  |
| F   | PUMP MOTOR ASSEMBLY         | (S-0731)                 | 215693A01   | 1               | 1   | 1   |  |  |
|   | HEX HEAD BOLT W/WASHER (LF) | SS, 5X12                 | 7B0230512   | 1               | 1   | 1   |  |  |
| 1   | WATER SUPPLY PIPE           | COPPER                   | 4A0768G01   | 1               | 1   | 1   |  |  |
|   | T2 SCREW                    | 4X8                      | 7P31-0408   | 2               | 2   | 2   |  |  |
| 2   | RUBBER GASKET               | NR                       | 413854-03   | 1               | 1   | 1   |  |  |
| 3   | WATER VALVE BRACKET         | GS                       | 321443-01   | 1               | 1   | 1   |  |  |
|   | T2 SCREW                    | 4X8                      | 7P31-0408   | 1               | 1   | 1   |  |  |
| 4   | WATER VALVE                 | J248-030                 | 3U0111-01   | 1               | 1   | 1   |  |  |
| 5   | -                           | -                        | -           |                 |     |     |  |  |
| 6   | HOSE CLAMP                  | SS, 18MM                 | 427443-05   | 4               | 4   | 4   |  |  |
| 7   | SPRAY TUBE                  | PE                       | 1A0260-02   | 1               | 1   | 1   |  |  |
| 8   | SPRAY TUBE                  | PE                       | 1A0260-01   | 1               | 1   | 1   |  |  |
| 9   | SPRAY GUIDE (A)             | PE                       | 208586-01   | 12              | 12  | 12  |  |  |
| 10  | PLATE                       | SS                       | 3A0133-01   | 1               | 1   | 1   |  |  |
|   | T2 SCREW                    | SS, 4X10                 | 7P32-0410   | 4               | 4   | 4   |  |  |
| 11  | CUBE GUIDE (A)              | SS                       | 214905-01   | 1               | 1   | 1   |  |  |
| 12  | CUBE GUIDE (B)              | ABS                      | 322644-02   | 1               | 1   | 1   |  |  |
| 13  | THUMBSCREW                  | ABS, SS                  | 415949G01   | 1               | 1   | 1   |  |  |
| 14  | FLOAT SWITCH STOP           | SS                       | 4A0137-01   | 1               | 1   | 1   |  |  |
| 15  | HOSE (A)                    | EPDM                     | 435091-01   | 1               | 1   | 1   |  |  |
| 16  | HOSE CLAMP                  | SS, 25MM                 | 427443-03   | 11              | 11  | 11  |  |  |
| 17  | HOLDER                      | PP                       | 322692-01   | 1               | 1   | 1   |  |  |
| 18  | DISTRIBUTOR                 | ABS                      | 432426-01   | 2               | 2   | 2   |  |  |
| 19  | PLUG                        | EPDM                     | 4A0176-01   | 4               | 4   | 4   |  |  |
| 20  | DRAIN HOSE                  | EPDM                     | 435092-01   | 1               | 1   | 1   |  |  |
| 21  | HOSE CLAMP                  | SS, 27MM                 | 427443-08   | 2               | 2   | 2   |  |  |
| 22  | DRAIN VALVE (B)             | ABS                      | 3A1170-01   | 1               | 1   | 1   |  |  |

| MODEL: <b>KM-1300MAF, MWF, MRF</b> TITLE: <b>C. WATER CIRCUIT</b> |                          |                          |             |                 |     |     |  |  |
|---|--------------------------|--------------------------|-------------|-----------------|-----|-----|--|--|
| INDEX NO.   | DESCRIPTION              | MATERIAL OR MODEL NUMBER | PART NUMBER | REQUIRED NUMBER |     |     |  |  |
|   |                          |                          |             | J-0             | K-0 | L-0 |  |  |
| 23  | "O" RING                 | 1AG35                    | 7611-G035   | 1               | 1   | 1   |  |  |
| 24  | SPRING                   | SS                       | 322685-01   | 1               | 1   | 1   |  |  |
| 25  | VALVE SHEET              | EPDM                     | 433705-01   | 1               | 1   | 1   |  |  |
|   | T2 SCREW                 | SS, 4X16                 | 7P32-0416   | 3               | 3   | 3   |  |  |
| 26  | HOSE (C)                 | EPDM                     | 326655-01   | 1               | 1   | 1   |  |  |
| 27  | OVERFLOW CAP             | ABS                      | 322816-01   | 1               | 1   | 1   |  |  |
| 28  | OVERFLOW PIPE            | ABS                      | 322691-01   | 1               | 1   | 1   |  |  |
| 29  | "O" RING                 | -                        | 4A1234-01   | 1               | 1   | 1   |  |  |
| 30  | CONNECTOR - FLOAT SWITCH | EPDM                     | 3A1325-01   | 1               | 1   | x1  |  |  |
|   |                          | -                        | 426799-01   |                 |     | o1  |  |  |
| 31  | FLOAT SWITCH             | 163790                   | 4A0886-02   | 1               | 1   | 1   |  |  |
|   | TRUSS HEAD SCREW         | SS, 4X8                  | 7C32-0408   | 2               | 2   | 2   |  |  |
| 32  | CONNECTOR                | ABS                      | 432763-01   | 1               | 1   | 1   |  |  |
| 33  | RUBBER RING              | TSE2571-5U               | 439236-01   | 1               | 1   | 1   |  |  |
| 34  | COLLAR                   | ABS                      | 435269-01   | 2               | 2   | 2   |  |  |
|   | T2 FLAT HEAD SCREW       | SS, 4X16                 | 7P22-0416   | 2               | 2   | 2   |  |  |
| 35  | SPRING                   | SS                       | 435825-01   | 1               | 1   | 1   |  |  |
| 36  | VINYL HOSE               | L=670                    | 7716-2025   | 1               | 1   | 1   |  |  |
| 37  | VINYL HOSE               | L=190                    | 7716-2025   | 1               | 1   | 1   |  |  |
| 38  | TEE                      | EPDM                     | 4A0177-01   | 1               | 1   | 1   |  |  |
| 39  | FLANGE                   | EPDM                     | 439267-01   | 1               | 1   | 1   |  |  |
| 40  | SILICONE HOSE            | L=80                     | 773013812   | 1               | 1   | 1   |  |  |
| 41  | BYPASS HOSE              | EPDM                     | 439265-01   | 1               | 1   | 1   |  |  |
| 42  | CORNER INSULATION (A)    | PE FOAM                  | 439376-01   | 1               | 1   | 1   |  |  |
| 43  | CORNER INSULATION (B)    | PE FOAM                  | 439392-01   | 1               | 1   | 1   |  |  |
| 44  | MALE ADAPTOR             | (442137A01)              | 325826-01   | 2               | 2   | 2   |  |  |
| 45  | "O" RING                 |                          | 7611-P018   | 2               | 2   | 2   |  |  |
| 46  | BALL VALVE               |                          | 439293-01   | 1               | 1   | 1   |  |  |
| 47  | VALVE HOLDER             | GS                       | 3A1178-01   | 1               | 1   | 1   |  |  |
|   | FT SCREW                 | 4X8                      | 7F31-0408   | 3               | 3   | 3   |  |  |

| MODEL: <b>KM-1300MAF, MWF, MRF</b> TITLE: <b>C. WATER CIRCUIT</b> |                       |                          |             |                 |     |     |  |  |
|---|-----------------------|--------------------------|-------------|-----------------|-----|-----|--|--|
| INDEX NO.   | DESCRIPTION           | MATERIAL OR MODEL NUMBER | PART NUMBER | REQUIRED NUMBER |     |     |  |  |
|   |                       |                          |             | J-0             | K-0 | L-0 |  |  |
| 48  | MICRO SWITCH          | V3L-III-D8               | 4A0365-01   | 1               | 1   | 1   |  |  |
| 49  | TAPPING SCREW         | 3x14                     | 431415-02   | 2               | 2   | 2   |  |  |
| 50  | HANDLE                | JH1352                   | 215383-01   | 1               | 1   | 1   |  |  |
|   | T2 SCREW              | 4X8                      | 7P31-0408   | 1               | 1   | 1   |  |  |
| 51  | VINYL HOSE            | L=58                     | 7716-1519   | 1               | 1   | 1   |  |  |
| 52  | VINYL HOSE            | L=180                    | 7716-0913   | 2               | 2   | 2   |  |  |
| 53  | WATER SUPPLY TUBE     | PE                       | 2A0079-01   | 1               | 1   | 1   |  |  |
| 54  | WATER SUPPLY TUBE     | PE                       | 2A0079-02   | 1               | 1   | 1   |  |  |
| 55  | VINYL HOSE            | L=63                     | 7716-2025   | 2               | 2   | 2   |  |  |
| 56  | VALVE HOUSING – DRAIN | ABS                      | 435054-01   | 1               | 1   | 1   |  |  |
|   |                       |                          |             |                 |     |     |  |  |
|   |                       |                          |             |                 |     |     |  |  |
|   |                       |                          |             |                 |     |     |  |  |
|   |                       |                          |             |                 |     |     |  |  |
|   |                       |                          |             |                 |     |     |  |  |
|   |                       |                          |             |                 |     |     |  |  |
|   |                       |                          |             |                 |     |     |  |  |
|   |                       |                          |             |                 |     |     |  |  |
|   |                       |                          |             |                 |     |     |  |  |
|   |                       |                          |             |                 |     |     |  |  |
|   |                       |                          |             |                 |     |     |  |  |
|   |                       |                          |             |                 |     |     |  |  |
|   |                       |                          |             |                 |     |     |  |  |
|   |                       |                          |             |                 |     |     |  |  |
|   |                       |                          |             |                 |     |     |  |  |
|   |                       |                          |             |                 |     |     |  |  |



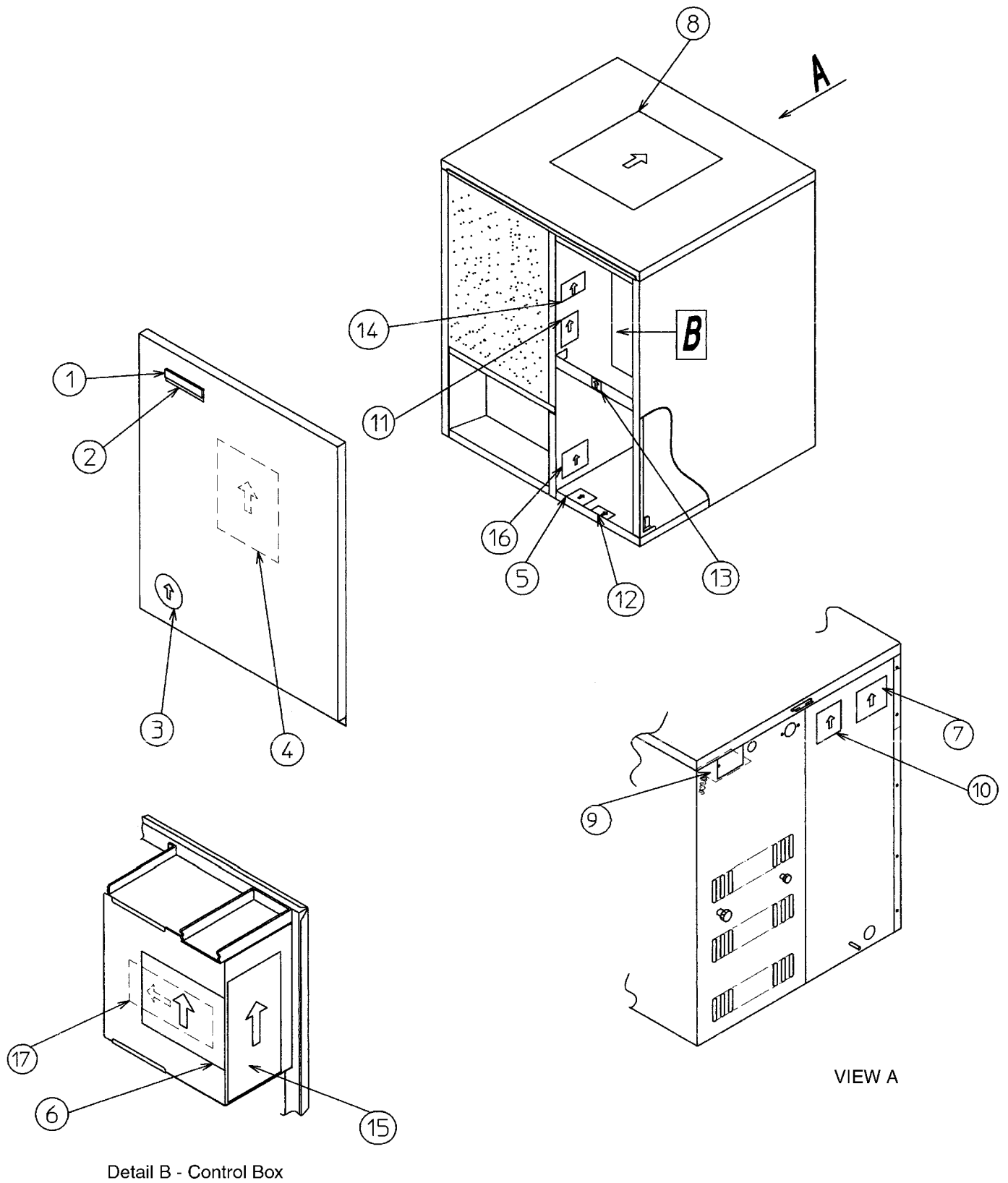
| MODEL: KM-1300MAF, MWF, MRF TITLE: D. CONTROL BOX ASSEMBLY |                       |                          |             |                 |     |     |  |  |
|--|-----------------------|--------------------------|-------------|-----------------|-----|-----|--|--|
| INDEX NO.  | DESCRIPTION           | MATERIAL OR MODEL NUMBER | PART NUMBER | REQUIRED NUMBER |     |     |  |  |
|  |                       |                          |             | J-0             | K-0 | L-0 |  |  |
| 1  | CAPACITOR - STARTING  | 145-174MFD, 250V         | 3A0076-01   | 1               | 1   | 1   |  |  |
| 2  | CAPACITOR             | 35MFD, 370V              | 439943-01   | 1               | 1   | 1   |  |  |
| 3  | STRAP                 | GS                       | 434580-04   | 1               | 1   | 1   |  |  |
| 4  | T2 SCREW              | 4X8                      | 7P31-0408   | 1               | 1   | 1   |  |  |
| 5  | STARTER               | 040-0001-20              | 434923-01   | 1               | 1   | x1  |  |  |
|  |                       | 3ARRA3CT10S5             | 4A1107-09   |                 |     | o1  |  |  |
| 6  | T2 SCREW              | 4X8                      | 7P31-0408   | 1               | 1   | 1   |  |  |
| 7  | MAGNETIC CONTACTOR    | VC20                     | 428393-01   | 1               | 1   | 1   |  |  |
| 8  | BRACKET               | BW9154                   | 428393F01   | 1               | 1   | 1   |  |  |
| 9  | T2 SCREW              | 4X8                      | 7P31-0408   | 2               | 2   | 2   |  |  |
| 10   | CAPACITOR             | 10MFD, 250V              | 443192-01   | 1               | 1   | 1   |  |  |
| 11   | T2 SCREW              | 4X10                     | 7P31-0410   | 1               | 1   | 1   |  |  |
| 12   | TRANSFORMER           | 26D285H                  | 3A0172-01   | 1               | 1   | 1   |  |  |
| 13   | T2 SCREW              | 4X8                      | 7P31-0408   | 2               | 2   | 2   |  |  |
| 14   | CONTROLLER BOARD      |                          | 2A1410-01   | 1               | 1   | 1   |  |  |
| 15   | BOARD SUPPORT         | CBLS37-M                 | 4A0336-03   | 4               | 4   | 4   |  |  |
| 16   | CONTROL LABEL         |                          | 4A1758-01   | 1               | 1   | 1   |  |  |
| 17   | THERMOSTAT            | A30-3842-00              | 4A0824-02   | 1               | 1   | 1   |  |  |
| 18   | TRUSS HEAD SCREW      | 4X6                      | 7C31-0406   | 2               | 2   | 2   |  |  |
| 19   | TOGGLE SWITCH         | 8966K84                  | 443119-01   | 1               | 1   | 1   |  |  |
| 20   | 3P PLUG HOUSING       | 3191-03P                 | 412832-06   | 1               | 1   | 1   |  |  |
| 21   | 2P PLUG HOUSING       | 3191-02P (RED)           | 412832-09   | 1               | 1   | 1   |  |  |
| 22   | 3P RECEPTACLE HOUSING | 3191-03R1                | 412831-06   | 1               | 1   | 1   |  |  |
| 23   | 2P RECEPTACLE HOUSING | 3191-02R1 (RED)          | 412831-09   | 1               | 1   | 1   |  |  |
| 24   | BUSHING               | SB-1093-15               | 420470-03   | 1               | 1   | 1   |  |  |
| 25   | BUSHING               | OCB-500                  | 428394-02   | 2               | 2   | 2   |  |  |
| 26   | BUSHING               | SB-1093-13               | 420470-12   | 1               | 1   | 1   |  |  |
| 27   | CONTROL BOX           | GS                       | 2A1082G01   | 1               | 1   | 1   |  |  |
| 28   | BUSHING               | OCB-875                  | 428394-04   | 1               | 1   | 1   |  |  |



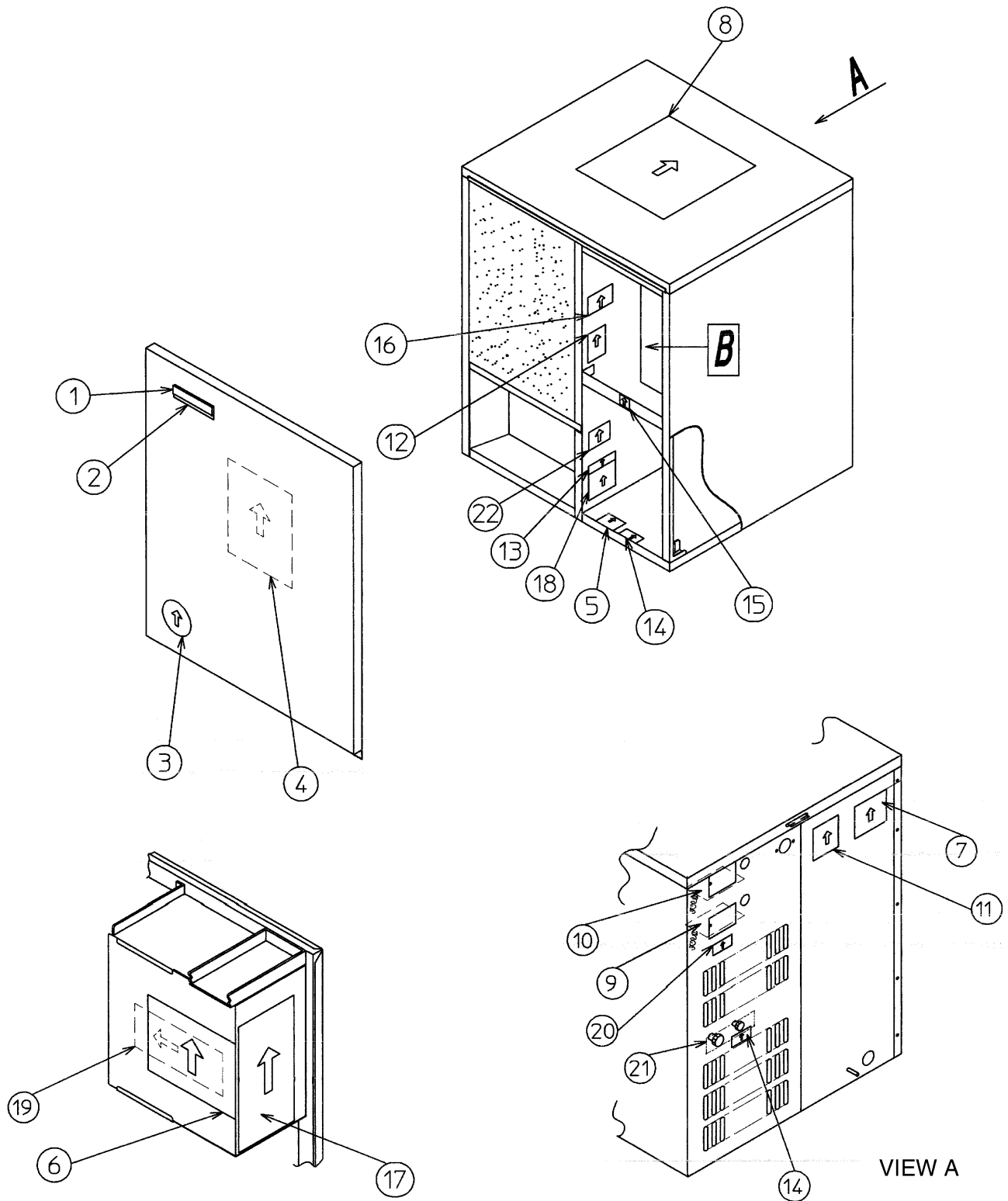
Detail B - Control Box

| MODEL: <b>KM-1300MAF</b> TITLE: <b>E. LABEL LOCATION</b> |                                      |                          |             |                 |     |     |  |  |
|--|--------------------------------------|--------------------------|-------------|-----------------|-----|-----|--|--|
| INDEX NO.  | DESCRIPTION                          | MATERIAL OR MODEL NUMBER | PART NUMBER | REQUIRED NUMBER |     |     |  |  |
|  |                                      |                          |             | J-0             | K-0 | L-0 |  |  |
| 1  | EMBLEM                               | -                        | 4A0560-01   | 1               | 1   | 1   |  |  |
| 2  | MODEL NUMBER LABEL                   | PETP FILM                | 4A1233-53   | 1               | 1   | 1   |  |  |
| 3  | LABEL - PENGUIN (R)                  | PETP FILM                | 4A0526-01   | 1               | 1   | 1   |  |  |
| 4  | LABEL - AIR FILTER                   | PETP FILM                | 426177-01   | 1               | 1   | 1   |  |  |
| 5  | MAINTENANCE LABEL                    | PVC FILM                 | 325975-01   | 1               | 1   | 1   |  |  |
| 6  | CAUTION LABEL (F)                    | PVC FILM                 | 439146-01   | 1               | 1   | 1   |  |  |
| 7  | CAUTION LABEL (K)                    | PVC FILM                 | 439150-01   | 1               | 1   | 1   |  |  |
| 8  | WIRING LABEL                         | PVC FILM                 | 3A1483-01   | 1               | 1   | 1   |  |  |
| 9  | NAMEPLATE                            | PES FILM                 | 4A2000-01   | 1               | 1   | 1   |  |  |
| 10   | INSTRUCTION SHEET                    | PAPER                    | 2A1137-01   | 1               | 1   | 1   |  |  |
| 11   | TAG - WARNING: ELECTRICAL CONNECTION | PAPER                    | 428430-01   | 1               | 1   | 1   |  |  |
| 12   | INSTRUCTION LABEL                    | PVC FILM                 | 444575-01   | 1               | 1   | 1   |  |  |
| 13   | MANUAL LABEL - BIN CONTROL           | PVC FILM                 | 322846-01   | 1               | 1   | 1   |  |  |
| 14   | LABEL - R404A                        | PES FILM                 | 4A0960-01   | 1               | 1   | 1   |  |  |
| 15   | CAUTION LABEL                        | PVC FILM                 | 436198-01   | 1               | 1   | 1   |  |  |
| 16   | OPERATION LABEL - VALVE              | PVC FILM                 | 439541-01   | 1               | 1   | 1   |  |  |
| 17   | MANUAL LABEL                         | PVC FILM                 | 324476-01   | 1               | 1   | 1   |  |  |
| 18   | RATING LABEL                         | -                        | 4A2003-01   | 1               | 1   | 1   |  |  |
| 19   | LABEL - CONTROL BOARD                | -                        | 3A1272-01   | 1               | 1   | 1   |  |  |
|  |                                      |                          |             |                 |     |     |  |  |
|  |                                      |                          |             |                 |     |     |  |  |
|  |                                      |                          |             |                 |     |     |  |  |
|  |                                      |                          |             |                 |     |     |  |  |
|  |                                      |                          |             |                 |     |     |  |  |
|  |                                      |                          |             |                 |     |     |  |  |
|  |                                      |                          |             |                 |     |     |  |  |
|  |                                      |                          |             |                 |     |     |  |  |
|  |                                      |                          |             |                 |     |     |  |  |

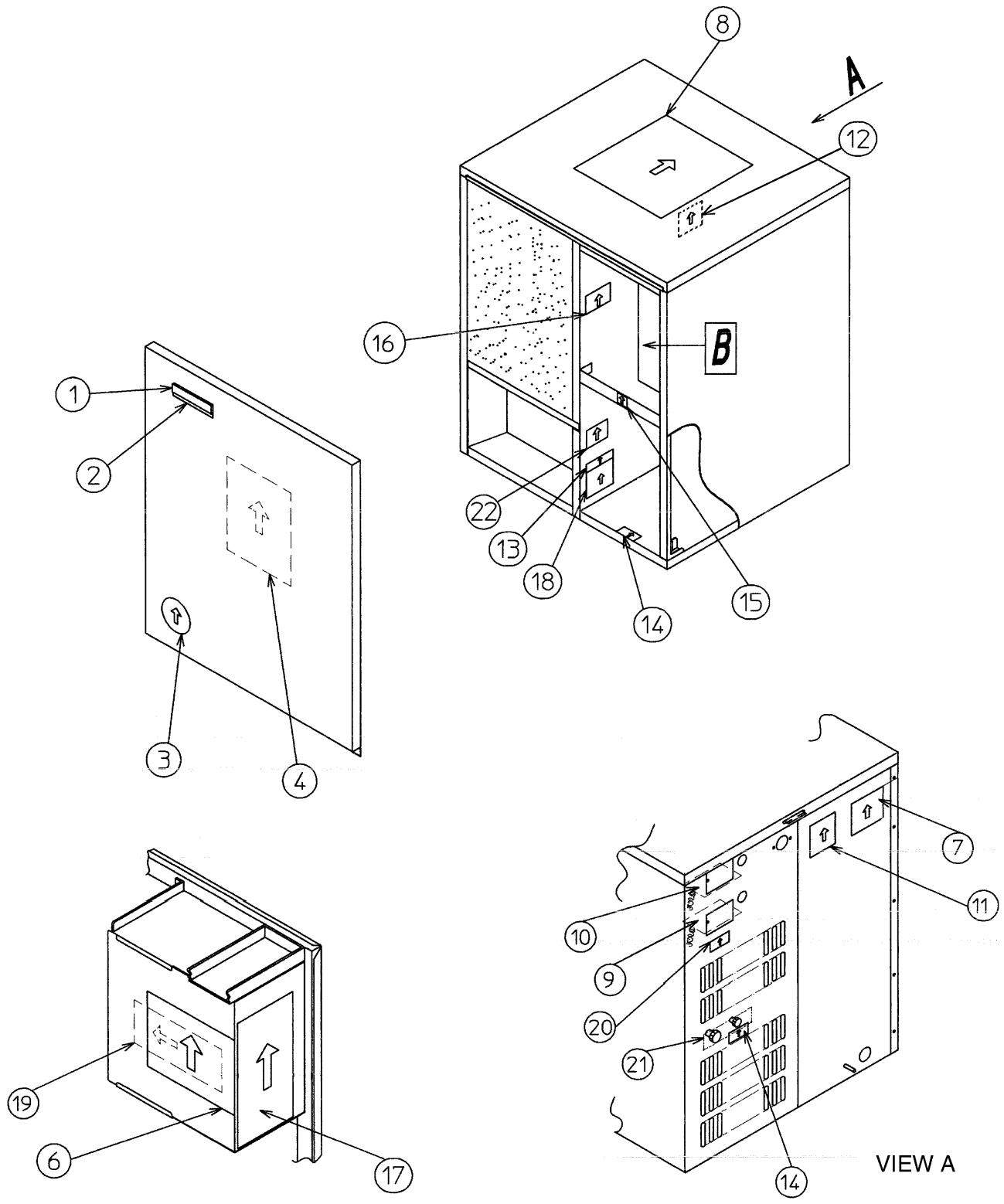




| MODEL: <b>KM-1300MWF</b> TITLE: <b>E. LABEL LOCATION</b> |                                      |                          |             |                 |     |     |  |  |
|--|--------------------------------------|--------------------------|-------------|-----------------|-----|-----|--|--|
| INDEX NO.  | DESCRIPTION                          | MATERIAL OR MODEL NUMBER | PART NUMBER | REQUIRED NUMBER |     |     |  |  |
|  |                                      |                          |             | J-0             | K-0 | L-0 |  |  |
| 1  | EMBLEM                               | -                        | 4A0560-01   | 1               | 1   | 1   |  |  |
| 2  | MODEL NUMBER LABEL                   | PETP FILM                | 4A1233-54   | 1               | 1   | 1   |  |  |
| 3  | LABEL - PENGUIN (R)                  | PETP FILM                | 4A0526-01   | 1               | 1   | 1   |  |  |
| 4  | MAINTENANCE LABEL                    | PVC FILM                 | 325975-01   | 1               | 1   | 1   |  |  |
| 5  | CAUTION LABEL (F)                    | PVC FILM                 | 439150-01   | 1               | 1   | 1   |  |  |
| 6  | CAUTION LABEL (K)                    | PVC FILM                 | 439150-01   | 1               | 1   | 1   |  |  |
| 7  | WIRING LABEL                         | PVC FILM                 | 3A1483-01   | 1               | 1   | 1   |  |  |
| 8  | NAMEPLATE                            | PES FILM                 | 4A2001-01   | 1               | 1   | 1   |  |  |
| 9  | INSTRUCTION SHEET                    | PAPER                    | 2A1137-01   | 1               | 1   | 1   |  |  |
| 10   | TAG - WARNING: ELECTRICAL CONNECTION | PAPER                    | 428430-01   | 1               | 1   | 1   |  |  |
| 11   | INSTRUCTION LABEL                    | PVC FILM                 | 444575-01   | 1               | 1   | 1   |  |  |
| 12   | MANUAL LABEL - BIN CONTROL           | PVC FILM                 | 322846-01   | 1               | 1   | 1   |  |  |
| 13   | LABEL - R404A                        | PES FILM                 | 4A0960-01   | 1               | 1   | 1   |  |  |
| 14   | CAUTION LABEL                        | PVC FILM                 | 436198-01   | 1               | 1   | 1   |  |  |
| 15   | OPERATION LABEL - VALVE              | PVC FILM                 | 439541-01   | 1               | 1   | 1   |  |  |
| 16   | MANUAL LABEL                         | PVC FILM                 | 324476-01   | 1               | 1   | 1   |  |  |
| 17   | RATING LABEL                         | -                        | 4A2004-01   | 1               | 1   | 1   |  |  |
| 18   | LABEL - CONTROL BOARD                | -                        | 3A1272-01   | 1               | 1   | 1   |  |  |
|  |                                      |                          |             |                 |     |     |  |  |
|  |                                      |                          |             |                 |     |     |  |  |
|  |                                      |                          |             |                 |     |     |  |  |
|  |                                      |                          |             |                 |     |     |  |  |
|  |                                      |                          |             |                 |     |     |  |  |
|  |                                      |                          |             |                 |     |     |  |  |
|  |                                      |                          |             |                 |     |     |  |  |
|  |                                      |                          |             |                 |     |     |  |  |
|  |                                      |                          |             |                 |     |     |  |  |



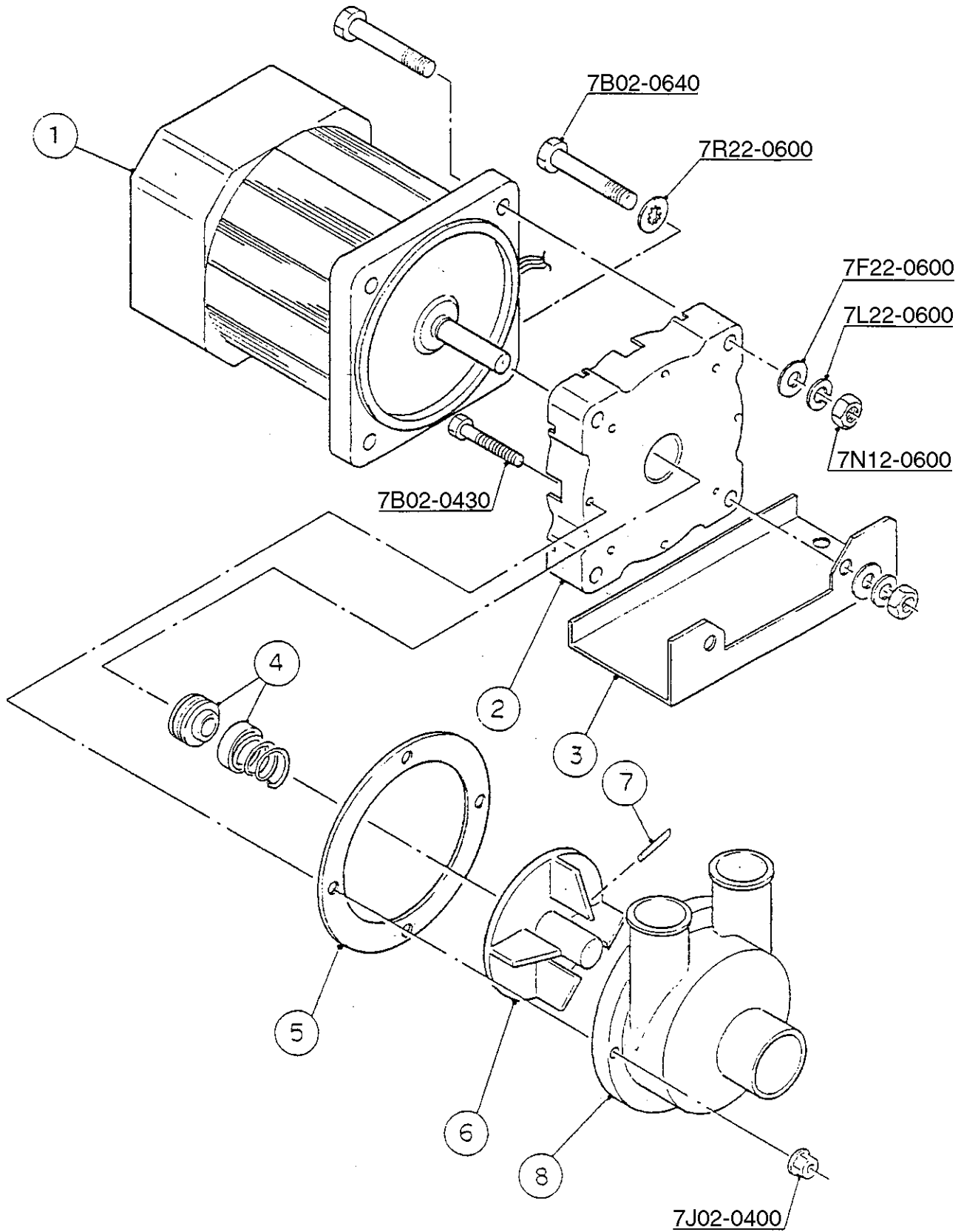
Detail B - Control Box



Detail B - Control Box

VIEW A

| MODEL: <b>KM-1300MRF</b> TITLE: <b>E. LABEL LOCATION</b> |                                      |                          |             |                 |     |     |  |  |
|--|--------------------------------------|--------------------------|-------------|-----------------|-----|-----|--|--|
| INDEX NO.  | DESCRIPTION                          | MATERIAL OR MODEL NUMBER | PART NUMBER | REQUIRED NUMBER |     |     |  |  |
|  |                                      |                          |             | J-0             | K-0 | L-0 |  |  |
| 1  | EMBLEM                               | -                        | 4A0560-01   | 1               | 1   | 1   |  |  |
| 2  | MODEL NUMBER LABEL                   | PETP FILM                | 4A1233-55   | 1               | 1   | 1   |  |  |
| 3  | LABEL - PENGUIN (R)                  | PETP FILM                | 4A0526-01   | 1               | 1   | 1   |  |  |
| 4  | MAINTENANCE LABEL                    | PVC FILM                 | 325975-01   | 1               | 1   | 1   |  |  |
| 5  | CAUTION LABEL (K)                    | PVC FILM                 | 439150-01   | 1               | 1   | -   |  |  |
| 6  | WIRING LABEL                         | PVC FILM                 | 3A0967-01   | 1               | 1   | 1   |  |  |
| 7  | NAMEPLATE                            | PES FILM                 | 4A2002-01   | 1               | 1   | 1   |  |  |
| 8  | INSTRUCTION SHEET                    | PAPER                    | 2A1137-01   | 1               | 1   | 1   |  |  |
| 9  | TAG - FAN MOTOR LEADS                | -                        | 4A1494-01   |                 |     |     |  |  |
| 10   | TAG - WARNING: ELECTRICAL CONNECTION | PAPER                    | 428430-01   | 1               | 1   | 1   |  |  |
| 11   | INSTRUCTION LABEL                    | PVC FILM                 | 444575-01   | 1               | 1   | 1   |  |  |
| 12   | MANUAL LABEL - BIN CONTROL           | PVC FILM                 | 322846-01   | 1               | 1   | 1   |  |  |
| 13   | LABEL CHARGE                         | PES FILM                 | 4A1399-08   | 1               | 1   | 1   |  |  |
| 14   | LABEL - R404A                        | -                        | 4A0960-01   | 2               | 2   | 2   |  |  |
| 15   | CAUTION LABEL                        | PVC FILM                 | 436198-01   | 1               | 1   | 1   |  |  |
| 16   | OPERATION LABEL - VALVE              | PVC FILM                 | 439541-01   | 1               | 1   | 1   |  |  |
| 17   | MANUAL LABEL                         | PVC FILM                 | 324476-01   | 1               | 1   | 1   |  |  |
| 18   | RATING LABEL                         | -                        | 4A2005-01   | 1               | 1   | 1   |  |  |
| 19   | LABEL - CONTROL BOARD                | -                        | 3A1272-01   | 1               | 1   | 1   |  |  |
| 20   | CAUTION - REMOTE LABEL               | -                        | 4A1491-01   | 1               | 1   | 1   |  |  |
| 21   | CAUTION TAPE - 404A                  | L=250                    | 4A1535L01   | 1               | 1   | 1   |  |  |
| 22   | CAUTION LABEL (H)                    | -                        | 439148-01   | 1               | 1   | 1   |  |  |
|  |                                      |                          |             |                 |     |     |  |  |
|  |                                      |                          |             |                 |     |     |  |  |
|  |                                      |                          |             |                 |     |     |  |  |
|  |                                      |                          |             |                 |     |     |  |  |



| MODEL: <b>KM-1300MAF, MWF, MRF</b> TITLE: <b>F. PUMP MOTOR ASSEMBLY</b> |                    |                          |             |                 |     |     |  |  |
|---|--------------------|--------------------------|-------------|-----------------|-----|-----|--|--|
| INDEX NO.   | DESCRIPTION        | MATERIAL OR MODEL NUMBER | PART NUMBER | REQUIRED NUMBER |     |     |  |  |
|   |                    |                          |             | J-0             | K-0 | L-0 |  |  |
| 1   | PUMP MOTOR         | M91A60SP201              | 2U0106-01   | 1               | 1   | 1   |  |  |
| 2   | PUMP FLANGE        | PC                       | 215662-01   | 1               | 1   | 1   |  |  |
| 3   | PUMP MOTOR BRACKET | SS                       | 435057-01   | 1               | 1   | 1   |  |  |
|   | TOOTH WASHER       | SS, M6                   | 7R22-0600   | 1               | 1   | 1   |  |  |
|   | HEXAGON BOLT       | SS, 6X40                 | 7B02-0640   | 4               | 4   | 4   |  |  |
|   | SPLIT LOCK WASHER  | SS, M6                   | 7L22-0600   | 4               | 4   | 4   |  |  |
|   | FLAT WASHER        | SS, M6                   | 7F22-0600   | 4               | 4   | 4   |  |  |
|   | NUT                | SS, M6                   | 7N12-0600   | 4               | 4   | 4   |  |  |
| 4   | MECHANICAL SEAL    | H5-PN, 8MM               | 428545-01   | 1               | 1   | 1   |  |  |
| 5   | PACKING            | EPDM                     | 428547-01   | 1               | 1   | 1   |  |  |
| 6   | IMPELLER           | ABS                      | 428548-01   | 1               | 1   | 1   |  |  |
| 7   | PIN                | SS                       | 414102-01   | 1               | 1   | 1   |  |  |
| 8   | PUMP HOUSING       | ABS                      | 212636-01   | 1               | 1   | 1   |  |  |
|   | HEXAGON BOLT       | SS, 4X30                 | 7B02-0430   | 4               | 4   | 4   |  |  |
|   | FLANGE NUT         | SS, M4                   | 7J02-0400   | 4               | 4   | 4   |  |  |
|   |                    |                          |             |                 |     |     |  |  |
|   |                    |                          |             |                 |     |     |  |  |
|   |                    |                          |             |                 |     |     |  |  |
|   |                    |                          |             |                 |     |     |  |  |
|   |                    |                          |             |                 |     |     |  |  |
|   |                    |                          |             |                 |     |     |  |  |
|   |                    |                          |             |                 |     |     |  |  |
|   |                    |                          |             |                 |     |     |  |  |
|   |                    |                          |             |                 |     |     |  |  |
|   |                    |                          |             |                 |     |     |  |  |
|   |                    |                          |             |                 |     |     |  |  |

