
NO. 71173

ISSUED: JULY 25, 2000

REVISED: JULY 1, 2002



**HOSHIZAKI
MODULAR CRESCENT CUBER**

MODEL

KM-1300NRF

(FINAL) PARTS LIST

KM-1300NRF

K-0

March 2000

MATERIAL ABBREVIATIONS

ALUMINUM

AL = Aluminum

COPPER

CU = Copper

PLASTIC

ABS = Acrylonitrile -butadiene - styrene
 AC = Polyacetal
 EVA = Ethylene vinyl acetate
 PA = Polyamide = Nylon
 PC = Polycarbonate
 PE = Polyethylene
 PES = Polyester
 PETP = Polyethylene terephthalate = Tetlon
 PP = Polypropylene
 PS = Polystyrene
 PTFE = Polytetrafluoroethylene = Teflon
 PUR = Polyurethane
 PVC = Polyvinyl chloride

RUBBER

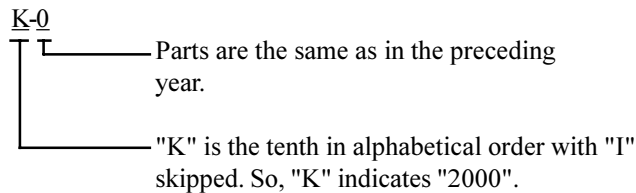
VN = Vinyl Nitrile
 EPDM = EP rubber
 NBR = Nitrile butadiene rubber
 NR = Natural rubber
 NP = Neoprene
 SLR = Silicone rubber
 SYR = Synthetic rubber
 EPH = Epichlorohydrin

STEEL

GS = Galvanized steel
 SS = Stainless steel
 PS = Plated steel
 PAS = Primed steel

AUXILIARY CODE

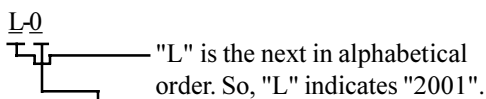
Ex.1



(Note) - = Part deleted.

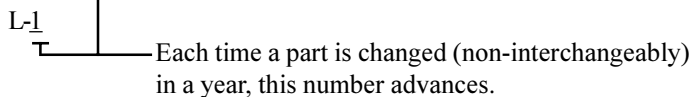
x = Part deleted and replaced by "o" part.

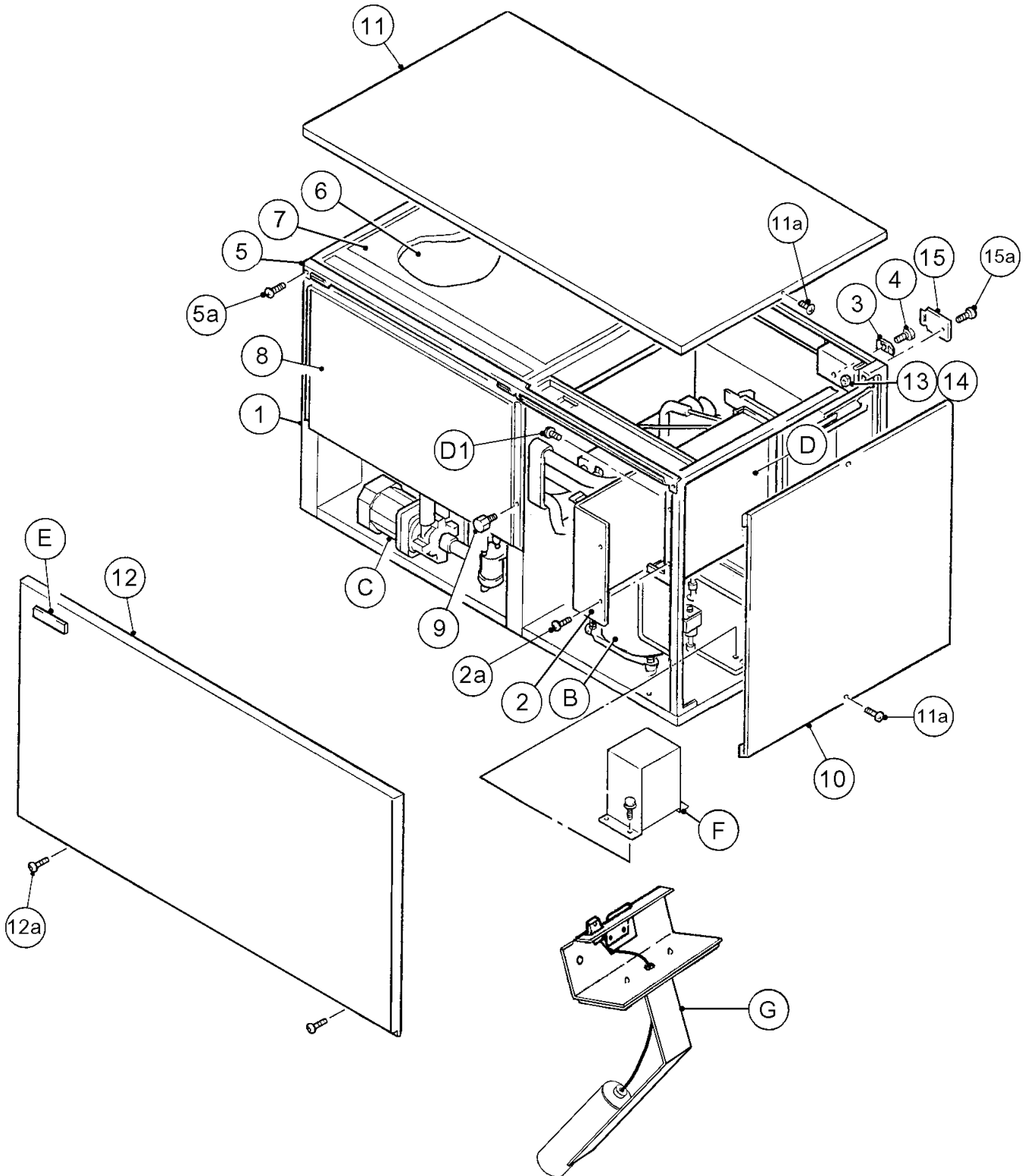
Ex.2



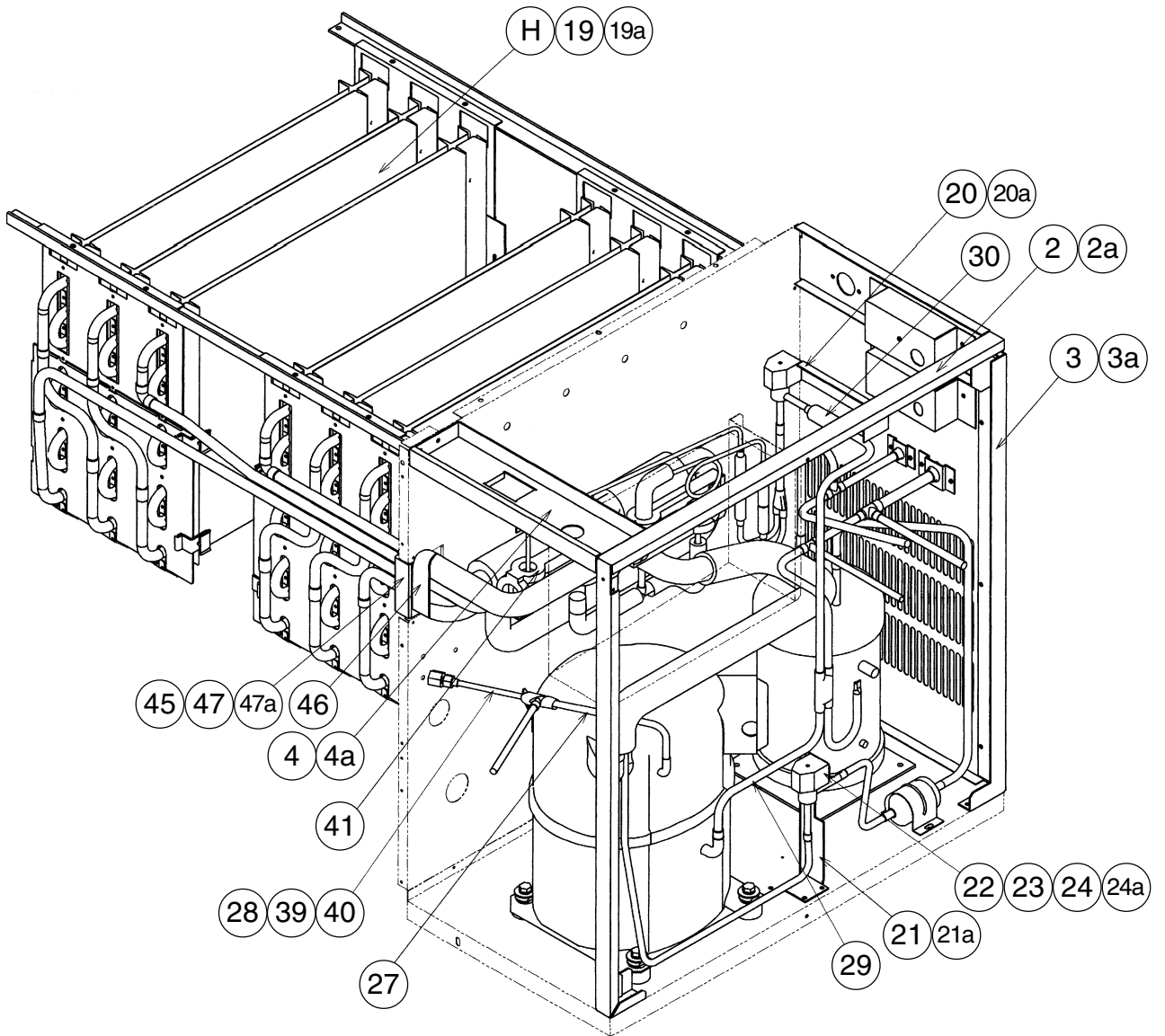
o = New part for "x" in the same auxiliary code.

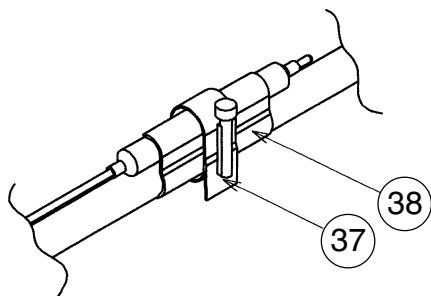
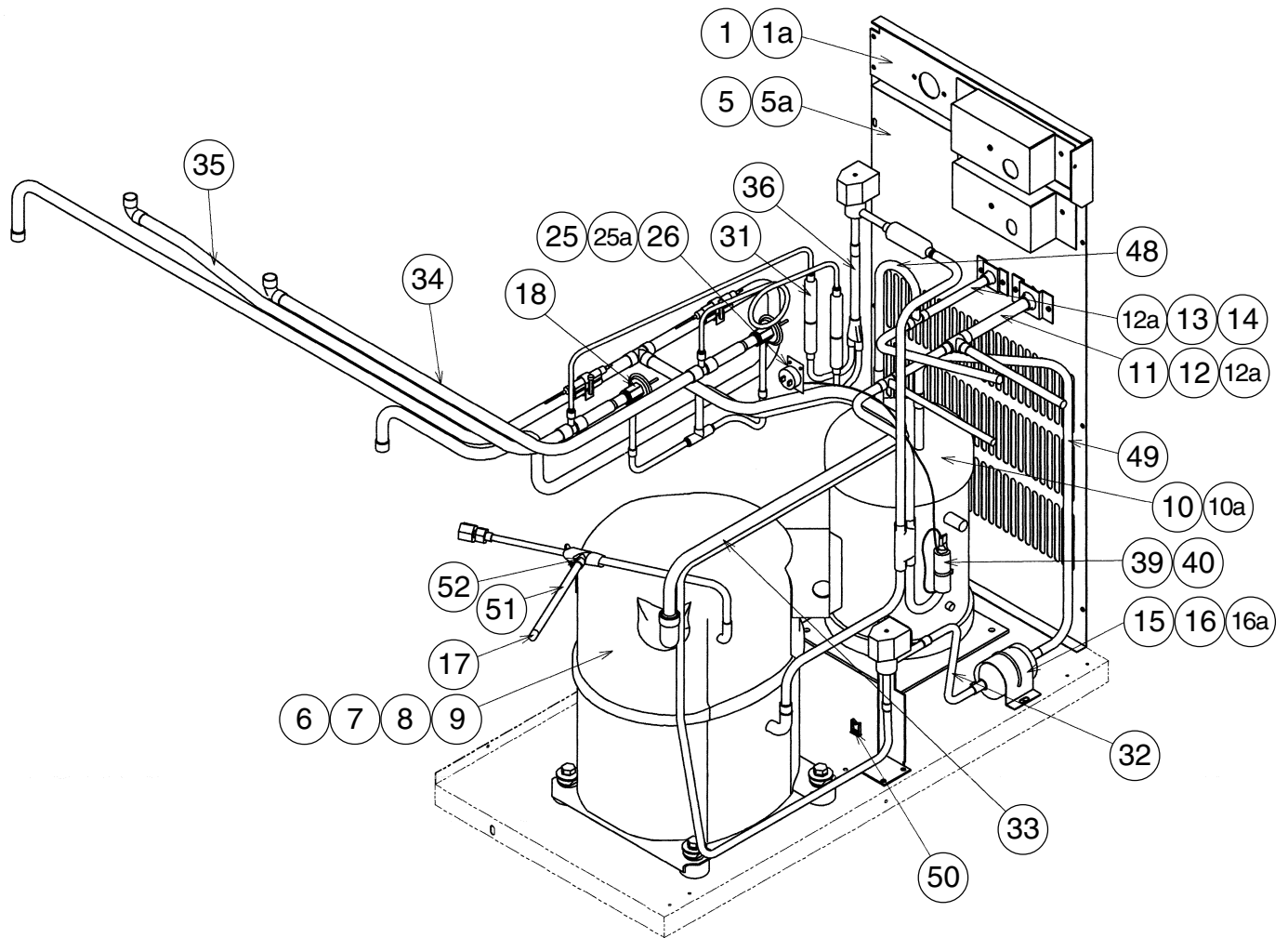
Ex.3



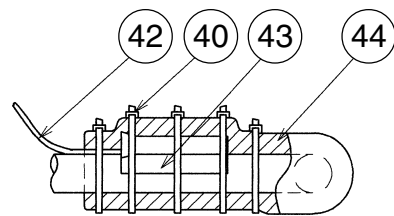


MODEL: KM-1300NRF TITLE: A. ICE CUBER ASSEMBLY										
INDEX NO.	DESCRIPTION	MATERIAL OR MODEL NUMBER	PART NUMBER	REQUIRED NUMBER						
				K-0						
B	REFRIGERATION CIRCUIT	-	1A0498A01	1						
C	WATER CIRCUIT	-	105109A04	1						
D	CONTROL BOX ASSEMBLY	-	2A1817A01	1						
D1	T2 SCREW	4X8	7P31-0408	3						
E	LABEL LOCATION	-	2A1818A01	1						
F	POWER SUPPLY ASSEMBLY	-	3A1612A01	1						
F1	T2 SCREW	4X8	7P31-0408	2						
G	BIN CONTROL ASSY	-	2A1935A01	1						
1	EVAP. CASE	-	1A0496G01	1						
2	CONTROL BOX COVER	GS	3A1618-01	1						
2a	T2 SCREW	4X8	7P31-0408	2						
3	SQUARE WASHER	BRASS	433537-02	2						
4	SCREW - GROUNDING	BRASS	433304-02	2						
5	FRONT PANEL - BRACKET	SS	3A1593-01	1						
5a	T2 SCREW	4X12, SS	7P32-0412	2						
6	SPACER	ABS	324321-01	1						
7	TOP INSULATION	ABS, PE	324216G01	1						
8	FRONT INSULATION	ABS, PE	324215G01	1						
9	THUMBSCREW	ABS, SS	415949G01	1						
10	SIDE PANEL (R)	SS	213668G01	1						
11	TOP PANEL (A)	PS	2A1741-01	1						
11a	TRUSS HEAD SCREW	4X8, SS	7C32-0408	3						
12	FRONT PANEL (A)	SS	2A1742-01	1						
12a	TRUSS HEAD SCREW	4X16, SS	7C32-0416	2						
13	BUSHING	SR-34-2	420472-05	1						
14	BUSHING	SR-30-1	420472-03	1						
15	JUNCTION BOX COVER	GS	433410-01	2						
15a	T2 SCREW	4X8	7P31-0408	2						





EXPANSION VALVE
BULB HOLDER DETAIL

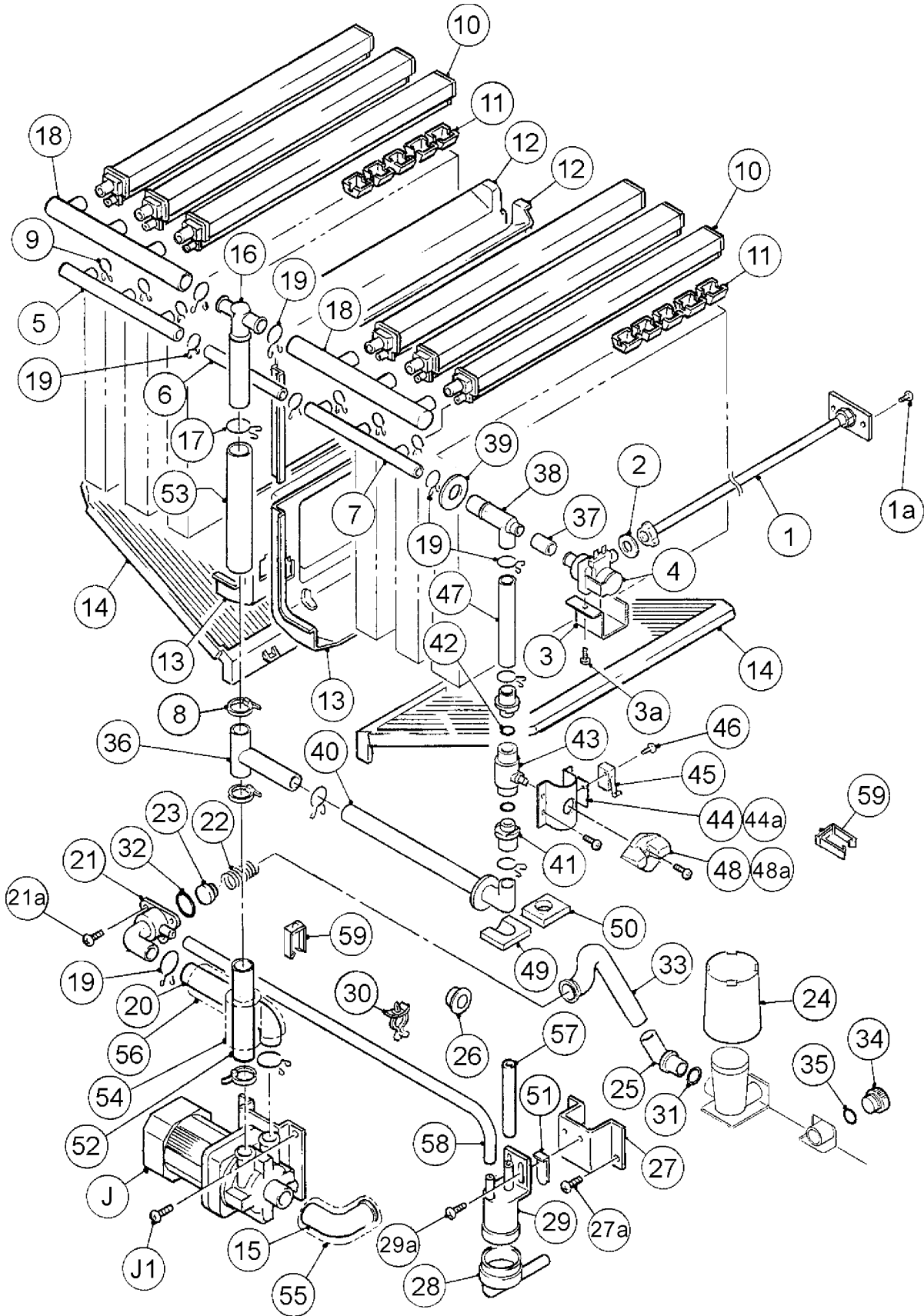


THERMISTOR DETAIL

MODEL: KM-1300NRF TITLE: B. REFRIGERATION CIRCUIT										
INDEX NO.	DESCRIPTION	MATERIAL OR MODEL NUMBER	PART NUMBER	REQUIRED NUMBER						
				K-0						
H	EVAPORATOR	-	104696A01	1						
1	REAR FRAME	GS	4A2105G01	1						
1a	T2 SCREW	4X8, SS	7P32-0408	2						
2	SIDE FRAME (A)	GS	219472G01	1						
2a	T2 SCREW	4X8, SS	7P32-0408	3						
3	SIDE FRAME (B)	GS	323901G01	1						
3a	T2 SCREW	4X8, SS	7P32-0408	4						
4	FRONT FRAME (A)	GS	3A1594-01	1						
4a	T2 SCREW	4X8, SS	7P32-0408	4						
5	REAR PANEL	GS	2A1743G01	1						
5a	T2 SCREW	4X8	7P31-0408	6						
6	COMPRESSOR	CS14K6E-PFV	4A1412-02	1						
7	BOLT	8X45	437889-01	4						
8	GROMMET	-	434922-01	4						
9	SPACER	-	434921-01	4						
10	RECEIVER	RR MNWP 450	437652-01	1						
10a	HEX HEAD BOLT W/WASHER (LF)	5X10	7B0130510	3						
11	COUPLING	-	434136G01	1						
12	TUBE HOLDER-L	GS	438245-01	1						
12a	T2 SCREW	4X8	7P31-0408	4						
13	COUPLING	COPPER	433751G01	1						
14	TUBE HOLDER-S	GS	438246-01	1						
15	DRIER BRACKET	GS	4A0807-01	1						
16	DRIER	CW-0325-S	4A1413-01	1						
16a	T2 SCREW	4X8	7P31-0408	2						
17	ENDCAP	-	4A1413F01	2						
18	EXP. VALVE	HFE-10 NHD-2	4A1414-01	2						
19	FRAME SEAL	-	323925-01	4						
19a	T2 SCREW	4X12, SS	7P32-0412	4						

MODEL: KM-1300RF TITLE: B. REFRIGERATION CIRCUIT										
INDEX NO.	DESCRIPTION	MATERIAL OR MODEL NUMBER	PART NUMBER	REQUIRED NUMBER						
				K-0						
20	HOT GAS VALVE BRACKET	GS	4A1999-01	1						
20a	T2 SCREW	4X8	7P31-0408	2						
21	LINE VALVE BRACKET	GS	4A2186-01	1						
21a	T2 SCREW	4X8	7P31-0408	2						
22	VALVE BODY	-	440352-01	2						
23	COIL-VALVE	-	440353-01	2						
24	BOLT	-	440353F01	2						
24a	TRUSS HEAD SCREW	4X8	7P31-0408	4						
25	PRESSURE SWITCH BRACKET	GS	434938-01	1						
25a	T2 SCREW	4X8	7P31-0408	1						
26	PRESSURE SWITCH	ACB-1UB09	433441-07	1						
27	COPPER TUBE-ACCESS VALVE	COPPER	4A1391-01	1						
28	ACCESS VALVE	TCJ-2F20NH DU-1	457729-01	1						
29	COPPER TUBE (A)-HIGH SIDE	COPPER	2A1791G01	1						
30	STRAINER	-	441569-02	1						
31	CHECK VALVE	SKC 30564	4A1373-01	2						
32	COPPER TUBE-LINE VALVE	COPPER	3A1622-01	1						
33	HEAT EXCHANGER	COPPER	1A0499G01	1						
34	COPPER TUBE (R) – LOW SIDE	COPPER	3A1624G01	1						
35	COPPER TUBE (L) – LOW SIDE	COPPER	3A1625G01	1						
36	COPPER TUBE – HOT GAS	COPPER	3A0212G01	1						
37	CLAMP	SS	443461-02	2						
38	HOLDER/EXP. VALVE	3/8"	3A0107-01	2						
39	INSULATION TUBE	L=40	7762-1330	2						
40	CABLE TIE	CV-200	7920-0010	8						

MODEL: KM-1300NRF TITLE: B. REFRIGERATION CIRCUIT											
INDEX NO.	DESCRIPTION	MATERIAL OR MODEL NUMBER	PART NUMBER	REQUIRED NUMBER							
				K-0							
41	EXP. VALVE COVER	PE FOAM	3A0944-01	2							
42	THERMISTOR	-	429006-03	1							
43	HOLDER-THERMISTOR	COPPER	427430-01	1							
44	INSULATION-THERMISTOR	PE FOAM	427441-01	1							
45	INSULATED RUBBER TUBE	EPDM	323975G01	1							
46	INSULATION	PE FOAM	436671-01	1							
47	INSULATION HOLDER	-	3A0979-01	1							
47a	T2 SCREW	4X8, SS	7P32-0408	2							
48	COPPER TUBE (B) – HIGH SIDE	COPPER	3A1674G01	1							
49	COPPER TUBE (C) – HIGH SIDE	COPPER	3A1621-01	1							
50	WIRE SADDLE	VWS4238-C	4A0338-02	3							
51	EVACUATION TUBE	COPPER	4A1553-01	1							
52	TEE	COPPER	420041-03	1							

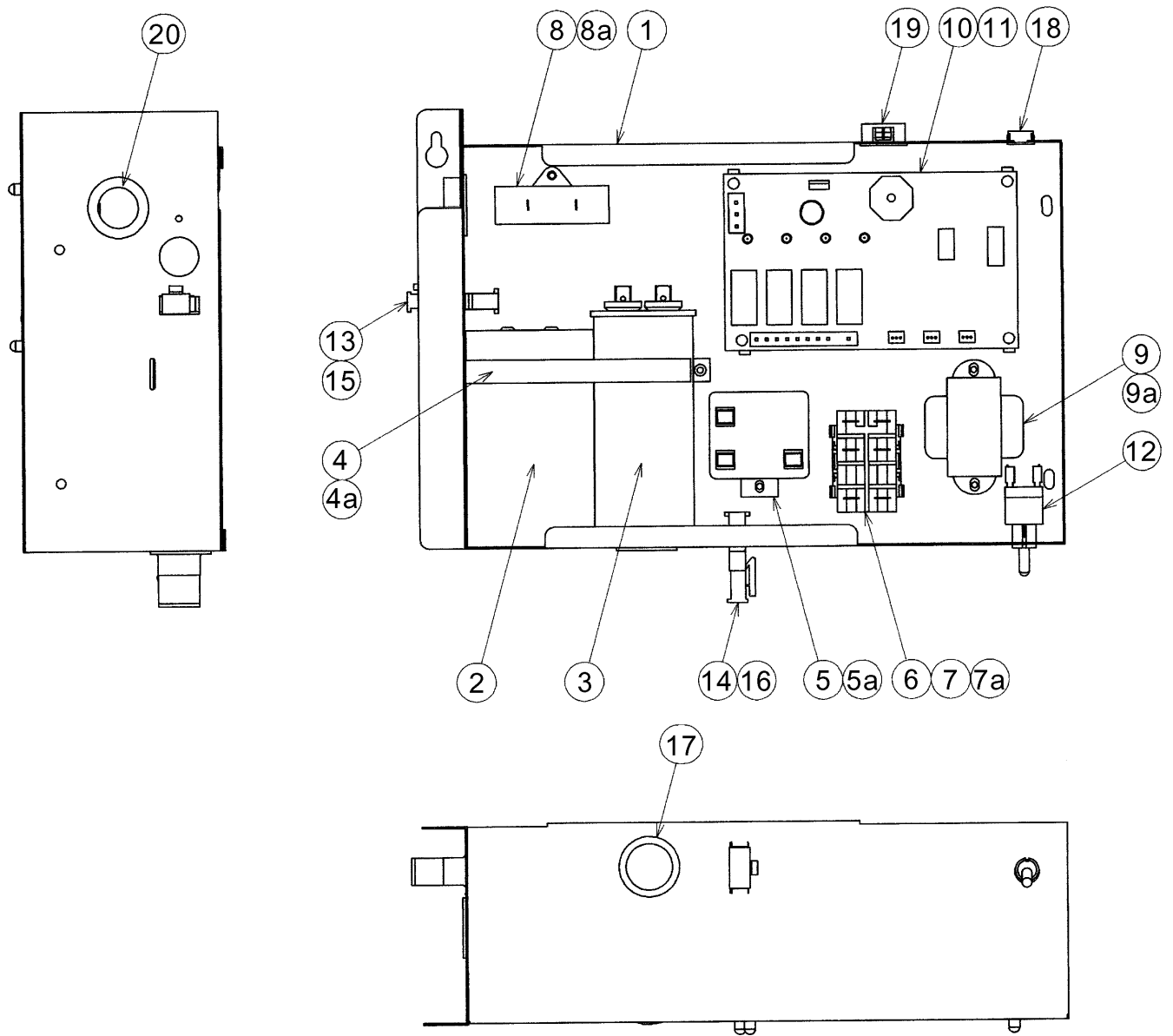


MODEL: KM-1300NRF TITLE: C. WATER CIRCUIT										
INDEX NO.	DESCRIPTION	MATERIAL OR MODEL NUMBER	PART NUMBER	REQUIRED NUMBER						
				K-0						
J	PUMP MOTOR ASSEMBLY	(S-0730)	215692A01	1						
J1	TRUSS HEAD SCREW	SS, 5X8	7C32-0508	2						
1	WATER SUPPLY PIPE	COPPER	4A0768G01	1						
1a	T2 SCREW	4X8	7P31-0408	2						
2	RUBBER GASKET	SI.R	413854-03	1						
3	WATER VALVE BRACKET	GS	321443-01	1						
3a	T2 SCREW	4X8	7P31-0408	1						
4	WATER VALVE	J248-030	3U0111-01	1						
5	DISTRIBUTOR HOSE (A)	SANTOPRENE	325738-01	1						
6	JOINT PIPE	ABS	439297-01	1						
7	DISTRIBUTOR HOSE (B)	SANTOPRENE	325738-02	1						
8	CABLE TIE	CV-200	7920-0010	3						
9	HOSE CLAMP	SS, 13.5 mm	427443-07	6						
10	SPRAY TUBE	ABS	437049G01	6						
11	SPRAY GUIDE (A)	PE	208586-01	18						
12	SEPARATOR (A)	ABS	213622-01	2						
13	SEPARATOR (B)	ABS	2A0100-01	2						
14	CUBE GUIDE	ABS	214243-01	2						
15	HOSE (A)	EPDM	435091-01	1						
16	DISTRIBUTOR	ABS	438276G01	1						
17	HOSE CLAMP	SS, 32 mm	427443-09	2						
18	DISTRIBUTOR HOSE (C)	EPDM	323985-01	2						
19	HOSE CLAMP	SS, 25 mm	427443-03	11						
20	HOSE (B)	EPDM	436599-01	1						
21	VALVE HOUSING - DRAIN	ABS	323613-01	1						
21a	T2 SCREW	4X10, SS	7P32-0410	3						
22	SPRING	SS	322110-01	1						
23	VALVE SHEET	EPDM	433705-01	1						
24	OVERFLOW CAP	PE	323978-01	1						
25	JOINT - OVERFLOW	ABS	323923-02	1						
26	BUSHING	SB-1500-21	420470-06	2						

MODEL: KM-1300NRF TITLE: C. WATER CIRCUIT										
INDEX NO.	DESCRIPTION	MATERIAL OR MODEL NUMBER	PART NUMBER	REQUIRED NUMBER						
				K-0						
27	FLOAT SW. BRACKET	SS	3A0449-01	1						
27a	T2 SCREW	4X8, SS	7P32-0408	2						
28	CONNECTOR - FLOAT SWITCH	EPDM	3A1325-03	1						
29	FLOAT SWITCH	163795	4A0886-01	1						
29a	TRUSS HEAD SCREW	4X10, SS	7C32-0410	2						
30	CLAMP	No.4253	427902-05	1						
31	"O" RING	1AP18	7611-P018	1						
32	"O" RING	1AG35	7611-G035	1						
33	DRAIN HOSE	EPDM	324757-01	1						
34	DRAIN	AC	309246-01	1						
35	"O" RING	1AP15	7611-P015	1						
36	DISTRIBUTOR (C)	ABS	439238-01	1						
37	JOINT HOSE	EPDM	439296-01	1						
38	DISTRIBUTOR (B)	ABS	439239-01	1						
39	FLANGE	EPDM	439267-02	1						
40	BYPASS HOSE	EPDM	439237-02	1						
41	MALE ADAPTOR	ABS, (442137A01)	325826-01	2						
42	"O" RING	1AP18, (442137A01)	7611-P018	2						
43	BALL VALVE	PVC, (442137A01)	439293-01	1						
44	VALVE HOLDER	GS	3A1178-01	1						
44a	TRUSS HEAD SCREW	4X8	7C31-0408	3						
45	MICRO SWITCH	V36-111-D8	4A0365-01	1						
46	TAPPING SCREW	3X14	431415-02	2						
47	JOINT HOSE	EPDM	439309-02	1						
48	HANDLE	JH1352	215383-01	1						
48a	T2 SCREW	4X8	7P31-0408	1						
49	CORNER INSULATION (A)	PE	439376-01	1						
50	CORNER INSULATION (B)	PE	439392-01	1						

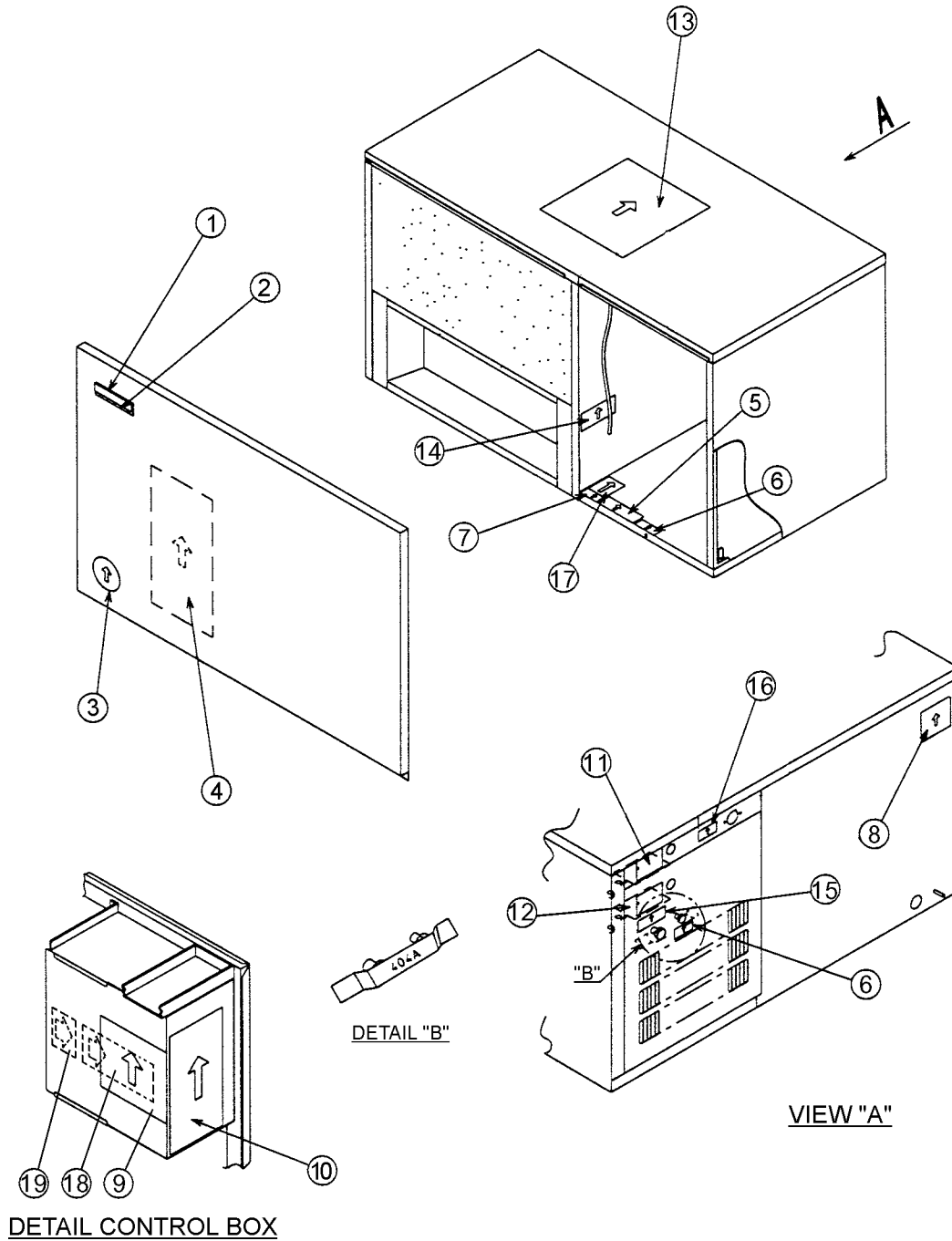
HA

MODEL: KM-1300NRF TITLE: C. WATER CIRCUIT											
INDEX NO.	DESCRIPTION	MATERIAL OR MODEL NUMBER	PART NUMBER	REQUIRED NUMBER							
				K-0							
51	FLOAT SWITCH STOP	SS	4A0137-01	1							
52	VINYL HOSE	L=170	7716-2732	1							
53	VINYL HOSE	L=230	7716-2732	1							
54	INSULATION HOSE	L=80	7762-3555	1							
55	INSULATION HOSE	L=120	7762-3555	1							
56	INSULATION HOSE	L=150	7762-3555	1							
57	SILICONE HOSE	L=140	7730I3812	1							
58	SILICONE HOSE	L=390	7730I3896	1							
59	WIRE SADDLE	VWS4238-C	4A0338-02	8							
60	CABLE TIE	CV-200	7920-0010	3							

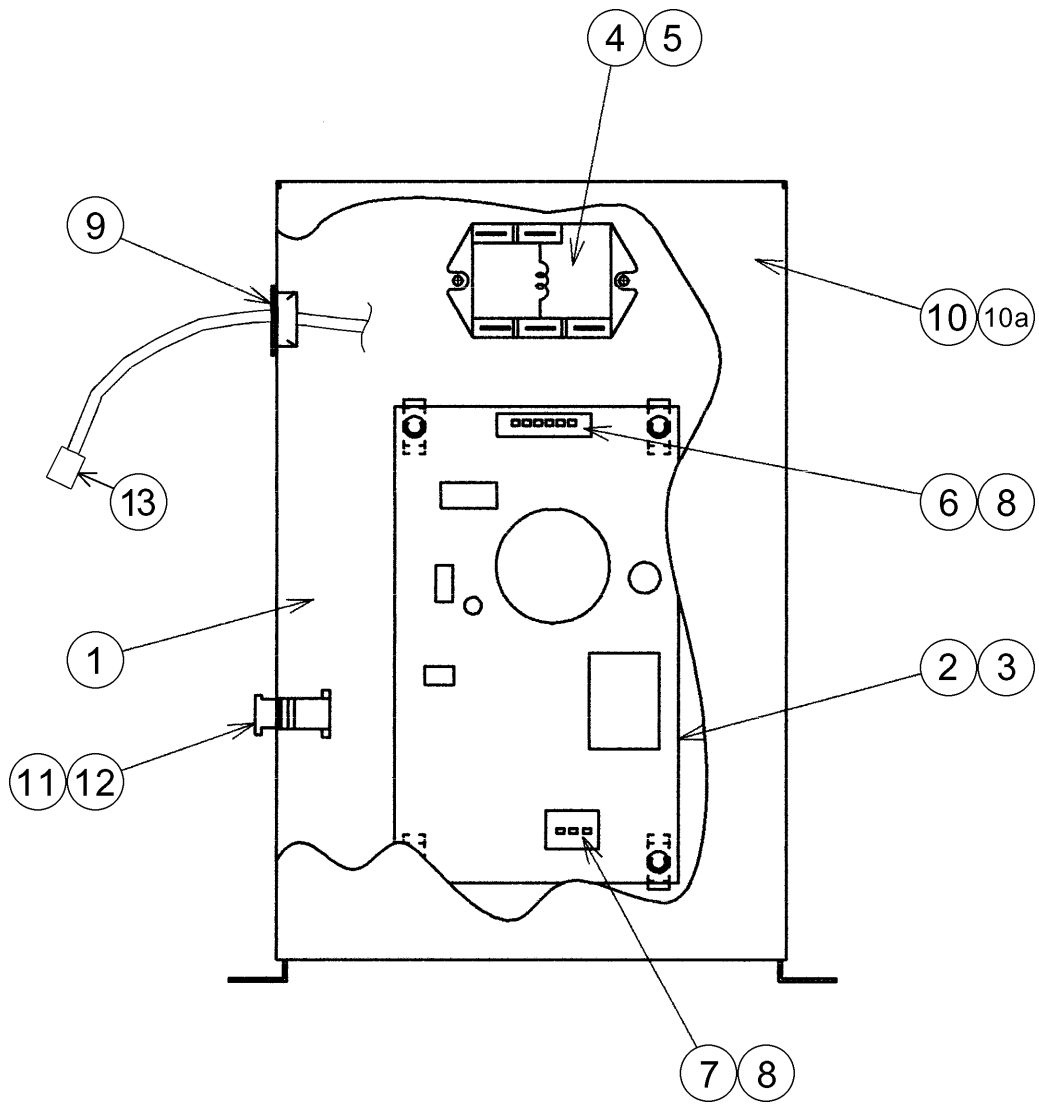


HA

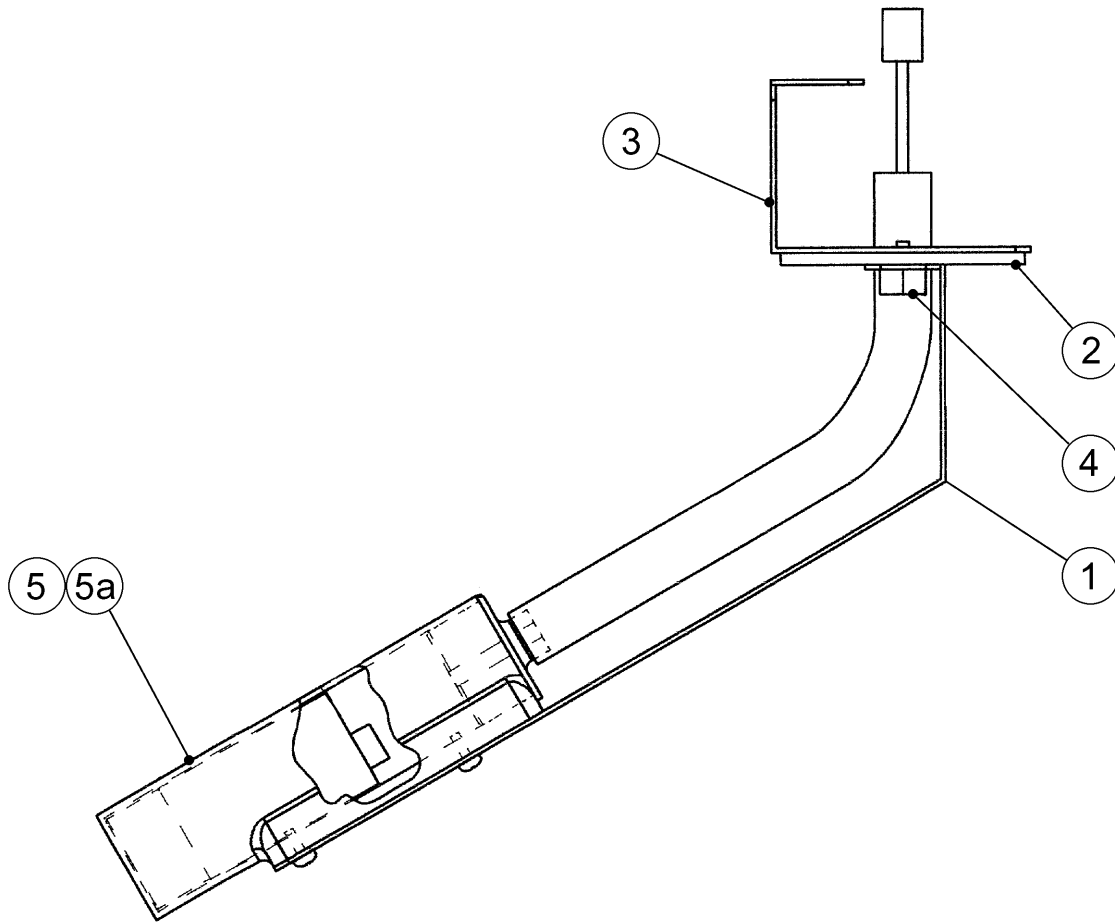
MODEL: KM-1300RF TITLE: D. CONTROL BOX ASSEMBLY										
INDEX NO.	DESCRIPTION	MATERIAL OR MODEL NUMBER	PART NUMBER	REQUIRED NUMBER						
				K-0						
1	CONTROL BOX	GS	2A1790G01	1						
2	CAPACITOR - STARTING	250V, 145-174MFD	3A0076-01	1						
3	CAPACITOR	370V, 35MFD	439943-01	1						
4	STRAP	GS	434580-04	1						
4a	T2 SCREW	4X8	7P31-0408	1						
5	STARTER	-	4A1107-09	1						
5a	T2 SCREW	4X8	7P31-0408	1						
6	MAGNETIC CONTACTOR	VC20	428393-01	1						
7	BRACKET	-	428393F01	1						
7a	T2 SCREW	4X8	7P31-0408	2						
8	CAPACITOR	250VAC, 10MFD	443192-01	1						
8a	T2 SCREW	4X10	7P31-0410	1						
9	TRANSFORMER	26D285H	3A0172-01	1						
9a	T2 SCREW	4X8	7P31-0408	2						
10	CONTROLLER BOARD	HOS-001A	2A1410-01	1						
11	BOARD SUPPORT	CBLS37-M	4A0336-03	4						
12	TOGGLE SWITCH	8966K84	443119-01	1						
13	2P PLUG HOUSING	3191-02P	412832-07	1						
14	3P PLUG HOUSING	3191-03P	412832-06	1						
15	2P RECEPTACLE HOUSING	3191-02R1	412831-07	1						
16	3P RECEPTACLE HOUSING	3191-03R1	412831-06	1						
17	BUSHING	SB-1093-15	420470-03	1						
18	BUSHING	OCB-500	428394-02	2						
19	BUSHING	OCB-875	428394-04	1						
20	BUSHING	SB-1093-13	420470-12	1						



MODEL: KM-1300NRF TITLE: E. LABEL LOCATION										
INDEX NO.	DESCRIPTION	MATERIAL OR MODEL NUMBER	PART NUMBER	REQUIRED NUMBER						
				K-0						
1	EMBLEM	PETP FILM	4A0560-01	1						
2	MODEL NUMBER LABEL	PETP FILM	4A1233-61	1						
3	LABEL-PENGUIN (R)	PETP FILM	4A0526-01	1						
4	MAINTENANCE LABEL	PVC FILM	3A1770-01	1						
5	CAUTION LABEL (K)	PVC FILM	439150-01	1						
6	LABEL-R404A	PES FILM	4A0960-01	2						
7	LABEL CHARGE	PES FILM	4A1399-01	1						
8	NAMEPLATE	PES FILM	4A2172-01	2						
9	WIRING LABEL	PVC FILM	3A1671-01	1						
10	MANUAL LABEL	PVC FILM	3A1673-01	1						
11	TAG WARNING: ELECTRICAL CONNECTION	PAPER	428430-01	1						
12	TAG FAN MOTOR LEADS	PAPER	4A1494-01	1						
13	INSTRUCTION SHEET	PAPER	2A1940-01	1						
14	OPERATION LABEL-VALVE	PVC FILM	439541-01	1						
15	CAUTION-REMOTE LABEL	-	4A1491-01	1						
16	INSTRUCTION LABEL	PVC FILM	444575-01	1						
17	RATING LABEL	PES FILM	4A2173-01	1						
18	LABEL-CONTROL BOARD	PVC FILM	3A1272-01	1						
19	LABEL (B)-CONTROL BOARD	PVC FILM	4A2288-01	1						

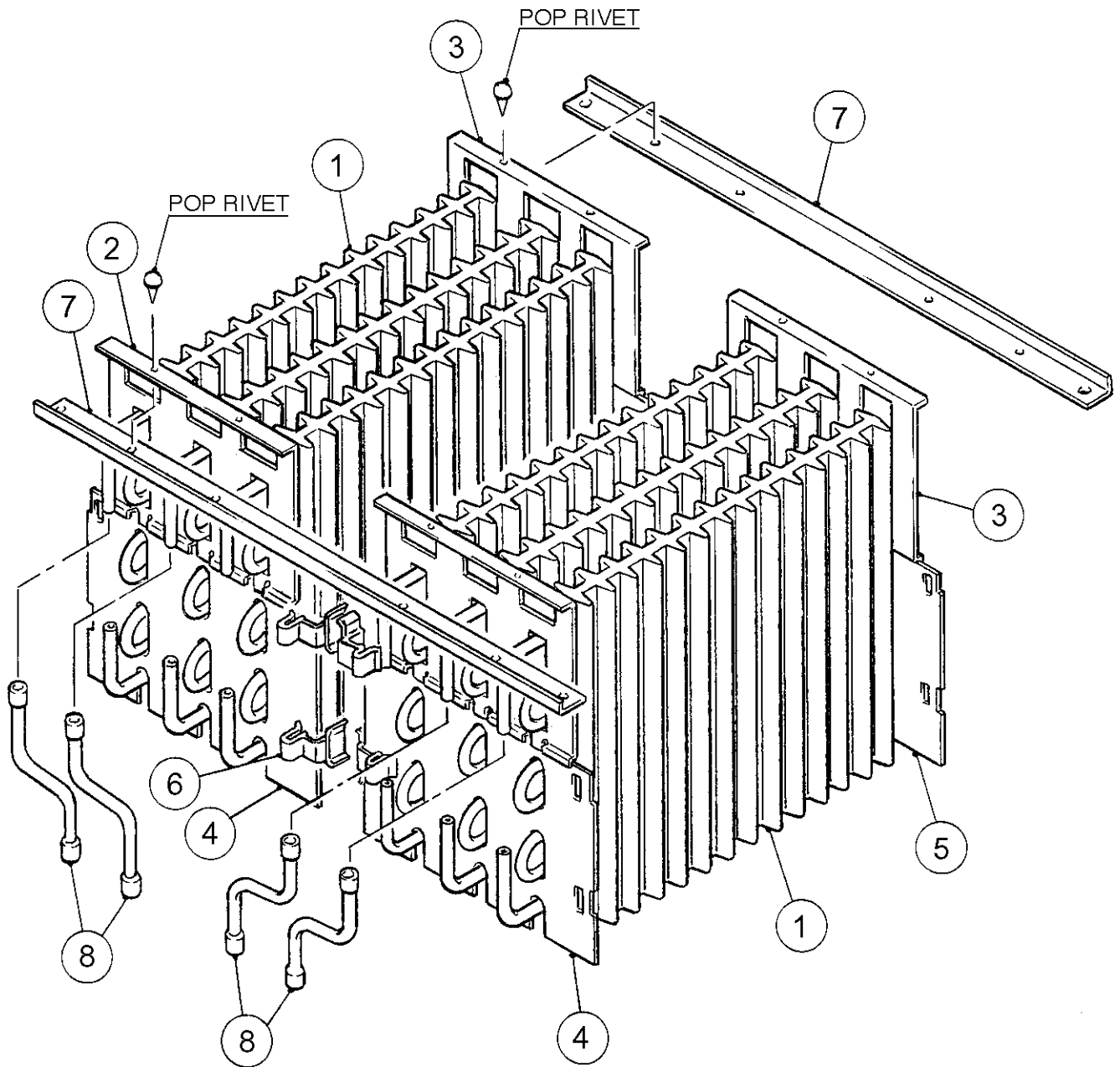


MODEL: KM-1300RF TITLE: F. POWER SUPPLY ASSEMBLY										
INDEX NO.	DESCRIPTION	MATERIAL OR MODEL NUMBER	PART NUMBER	REQUIRED NUMBER						
				K-0						
1	POWER SUPPLY BOX	-	3A1613-01	1						
2	POWER SUPPLY	GLC40-24 1	4A1355-01	1						
3	BOARD SUPPORT	CBLS37-M	4A0336-03	4						
4	RELAY	JA1C-TM-DC 24V	4A2274-01	1						
5	TAPPING SCREW	-	431415-01	2						
6	LINE CONNECTOR	09-50-3061	4A1317-01	1						
7	LINE CONNECTOR	09-50-3031	4A1317-02	1						
8	CRIMP TERMINAL	08-50-0189	8101-18PG	4						
9	BUSHING	OCB-875	428394-04	1						
10	POWER SUPPLY BOX COVER	GS	3A1614-01	1						
10a	T2 SCREW	4X8	7P31-0408	2						
11	2P PLUG HOUSING	3191-02P	412832-07	1						
12	2P RECEPTACLE HOUSING	3191-02R1	412831-07	1						
13	RESISTOR WIRE HARNESS		4A2280-01	1						



MODEL: KM-1300NRF TITLE: G. BIN CONTROL ASSEMBLY

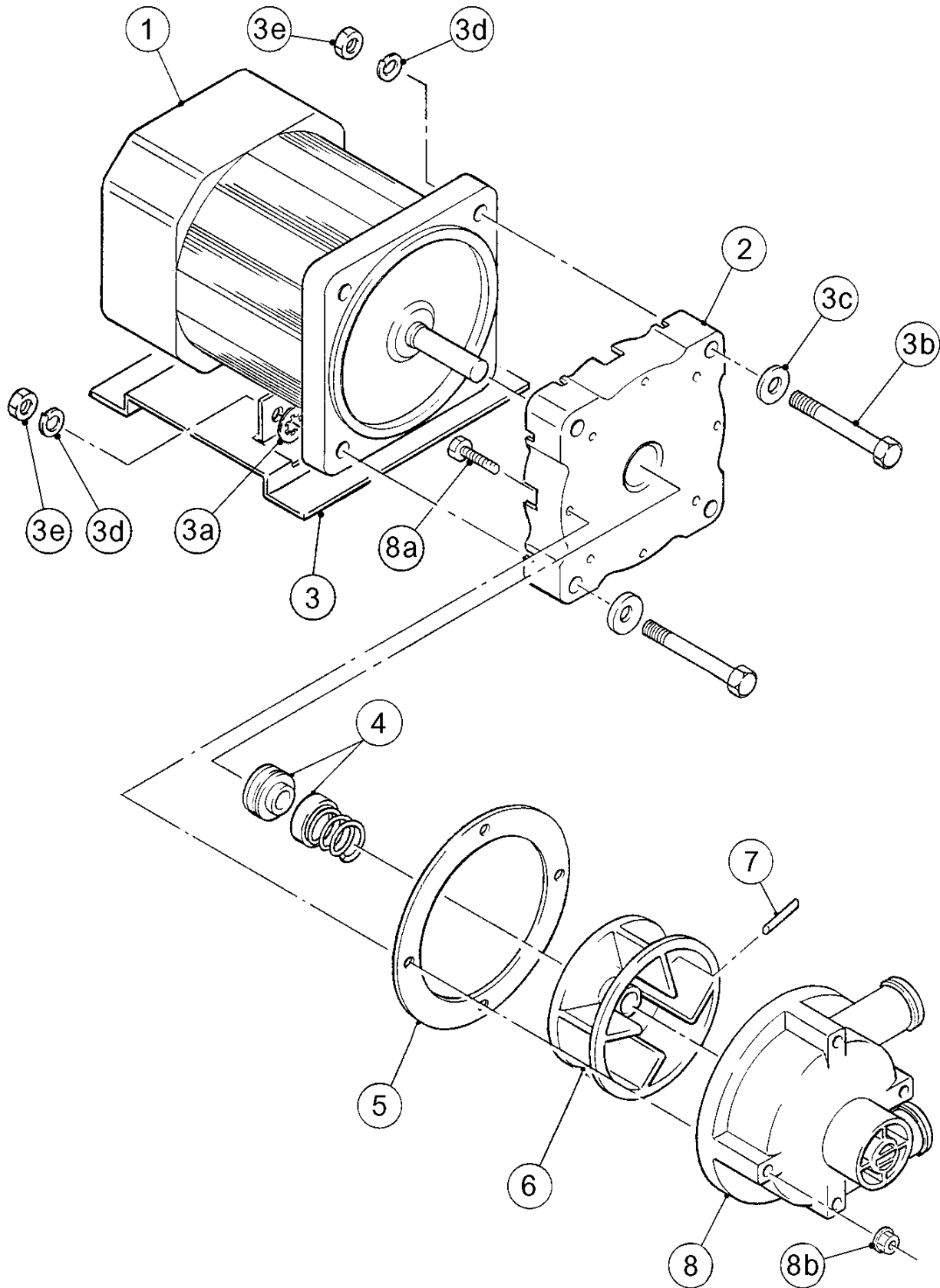
INDEX NO.	DESCRIPTION	MATERIAL OR MODEL NUMBER	PART NUMBER	REQUIRED NUMBER										
				K-0										
1	BIN CONTROL BRACKET (A)	-	3A1766-01	1										
2	SPACER	-	439727-01	1										
3	BIN CONTROL BRACKET (B)	-	3A1778-01	1										
4	THUMBSCREW	-	415949G04	2										
5	CAPACITIVE SENSOR ASSEMBLY	-	3A1818G01	1										
5a	T2 SCREW	4X8, SS	7P32-0408	2										



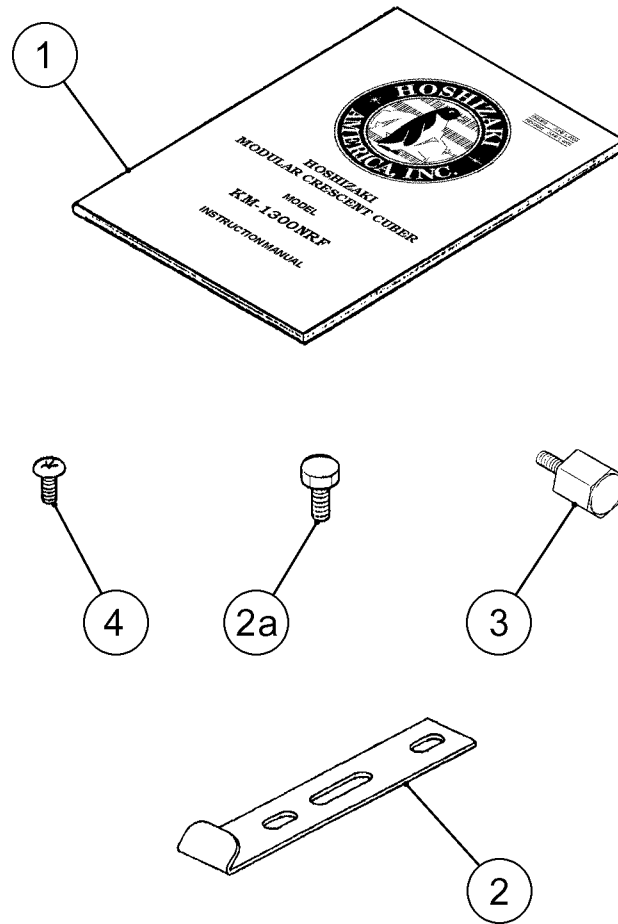
HA

MODEL: **KM-1300NRF** TITLE: **H. EVAPORATOR**

INDEX NO.	DESCRIPTION	MATERIAL OR MODEL NUMBER	PART NUMBER	REQUIRED NUMBER								
				K-0								
1	EVAPORATOR	(S-0533)	103444G02	6								
2	EVAP. BRACKET (A)	SS	323690-01	2								
3	EVAP. BRACKET (B)	SS	323691-01	2								
4	END PLATE (A)	ABS	323692-01	2								
5	END PLATE (B)	ABS	323693-01	2								
6	HOOK	PE	324152-01	8								
7	EVAP. BRACKET	GS	436582-01	2								
8	COPPER TUBE	COPPER	434137-01	4								



MODEL: KM-1300NRF				TITLE: J. PUMP MOTOR ASSEMBLY								
INDEX NO.	DESCRIPTION	MATERIAL OR MODEL NUMBER	PART NUMBER	REQUIRED NUMBER								
				K-0								
1	PUMP MOTOR	M91A60SP201	2U0106-01	1								
2	PUMP FLANGE	PC	215662-01	1								
3	PUMP MOTOR BRACKET	SS	323904-01	1								
3a	TOOTH WASHER	M6, SS	7R22-0600	2								
3b	HEX HEAD BOLT	6X40, SS	7B02-0640	4								
3c	FLAT WASHER	M6, SS	7F22-0600	4								
3d	SPLIT LOCK WASHER	M6, SS	7L22-0600	4								
3e	NUT	M6, SS	7N12-0600	4								
4	MECHANICAL SEAL	H5-PN, 8MM	428545-01	1								
5	PACKING	EPDM	428547-01	1								
6	IMPELLER	ABS	436584-01	1								
7	PIN	SS	414102-01	1								
8	PUMP HOUSING	ABS	213687-01	1								
8a	HEX HEAD BOLT	4X55, SS	7B02-0455	4								
8b	FLANGE NUT	M4, SS	7J02-0400	4								



MODEL: KM-1300RF		TITLE: K. ACCESSORIES											
INDEX NO.	DESCRIPTION	MATERIAL OR MODEL NUMBER	PART NUMBER	REQUIRED NUMBER									
				K-0									
1	INSTRUCTION MANUAL	PAPER	91A1DL10A	1									
2	UNIVERSAL BRACE	GS	4A0363-01	2									
2a	HEX HEAD BOLT	5X12, SS	7B02-0512	4									
3	THUMBSCREW	ABS, SS	415949G01	1									
4	TRUSS HEAD SCREW	4X10, SS	7C32-0410	2									