
NO. 71113

ISSUED: JAN. 12, 1996

REVISED: APRIL 18, 2000



**HOSHIZAKI
MODULAR CRESCENT CUBER**

MODEL

**KM-280MAE
KM-280MWE**

(FINAL) PARTS LIST

HA

KM-280MAE

F-1 Feb., 1996
G-0 Dec., 1996
G-1 May, 1997
G-2 June, 1997
H-0 Jan., 1998
H-1 April, 1998
H-2 July, 1998
H-3 Oct., 1998
H-4 Nov., 1998
J-0 Dec., 1998

KM-280MWE

F-0 April, 1996
G-0 Dec., 1996
G-2 July, 1997
H-0 Feb., 1998
H-1 May, 1998
H-2 July, 1998
J-0 Feb., 1999

MATERIAL ABBREVIATIONS

ALUMINUM

AL = Aluminum

COPPER

CU = Copper

PLASTIC

ABS = Acrylonitrile -butadiene - styrene
 AC = Polyacetal
 EVA = Ethylene vinyl acetate
 PA = Polyamide = Nylon
 PC = Polycarbonate
 PE = Polyethylene
 PES = Polyester
 PETP = Polyethylene terephthalate = Tetlon
 PP = Polypropylene
 PS = Polystyrene
 PTFE = Polytetrafluoroethylene = Teflon
 PUR = Polyurethane
 PVC = Polyvinyl chloride

RUBBER

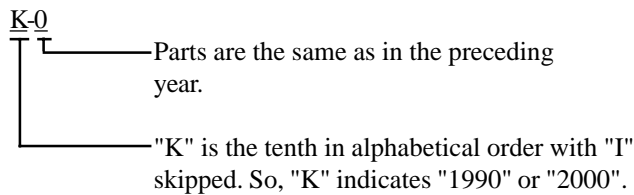
VN = Vinyl Nitrile
 EPDM = EP rubber
 NBR = Nitrile butadiene rubber
 NR = Natural rubber
 NP = Neoprene
 SIR = Silicone rubber
 SYR = Synthetic rubber
 EPH = Epichlorohydrin

STEEL

GS = Galvanized steel
 SS = Stainless steel
 PS = Plated steel
 PAS = Primed steel

AUXILIARY CODE

Ex.1

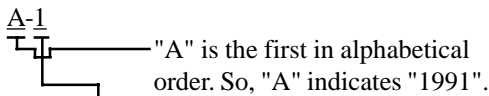


(Note) - = Part deleted.

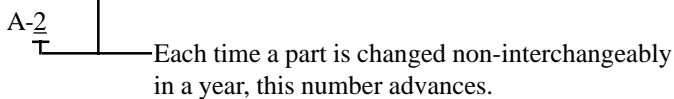
x = Part deleted and replaced by "o" part.

o = New part for "x" in the same auxiliary code.

Ex.2



Ex.3



FASTENER ABBREVIATION LIST

ST	Phillips Truss Machine Screw
SP	Phillips Pan Head Machine Screw
SF	Phillips Flat Head Machine Screw
SS	Phillips Pan Head Machine Screw with Split Lock Washer
SW	Phillips Pan Head Machine Screw with Split Lock Washer and Flat Washer
T1	Phillips Truss Head Tapping Screw (Correspond to Type A)
T2	Phillips Truss Head Tapping Screw (Correspond to Type B)
T3	Phillips Truss Head Tapping Screw (Correspond to Type C)
FT	Phillips Truss Head Tapping Screw (Special)
BH	Hexagon Head Bolt
BC	Socket Head Cap Screw
BS	Hexagon Bolt with Split Washer
BW	Hexagon Bolt with Split Washer and Flat Washer
BF	Hexagon Flange Bolt
BR	Cross-Recessed Hexagon Head Bolt
BRW	Cross-Recessed Hexagon Head Bolt with Split Lock Washer and Flat Washer
WL	Split Lock Washer
WT	External Tooth Washer
WF	Flat Washer
WS	Spring Washer
NH	Hexagon Nut
NF	Hexagon Flange Nut
NC	Hexagon Cap Nut
NS	Square Nut
NW	Wing Nut

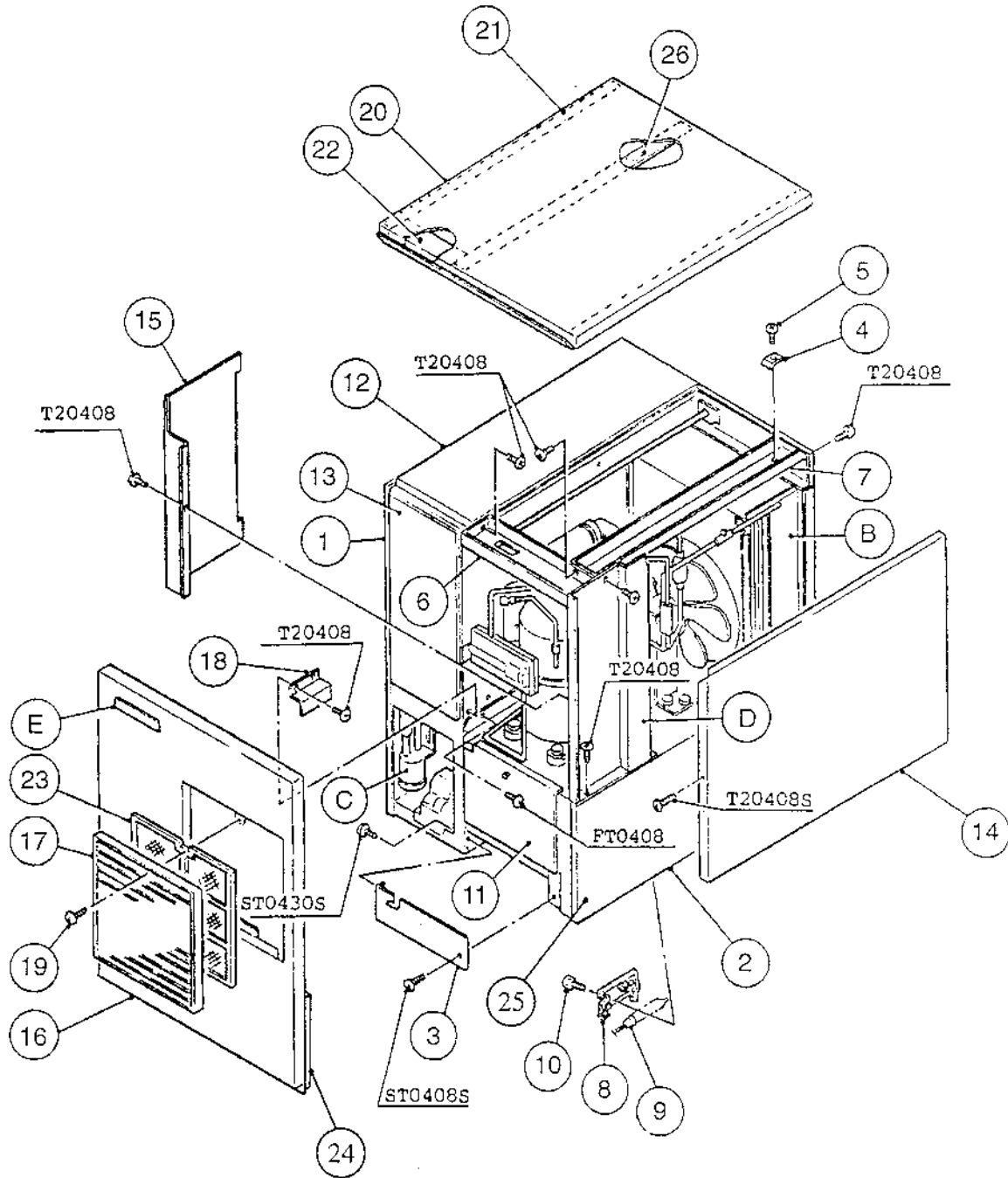
Ex. ST0308S (Phillips Truss Head Machine Screw
3x8, made of stainless steel)

Material	None:	Plated Steel
Length (mm)	S:	Stainless Steel
Nominal Diameter (mm)	B:	Brass
Form of Head	P:	Plastic
Description		

(Note) Second character is numerical except toe list.

Ex. S1, S2, B3 etc.

And abbreviations and names are shown under the illustration.

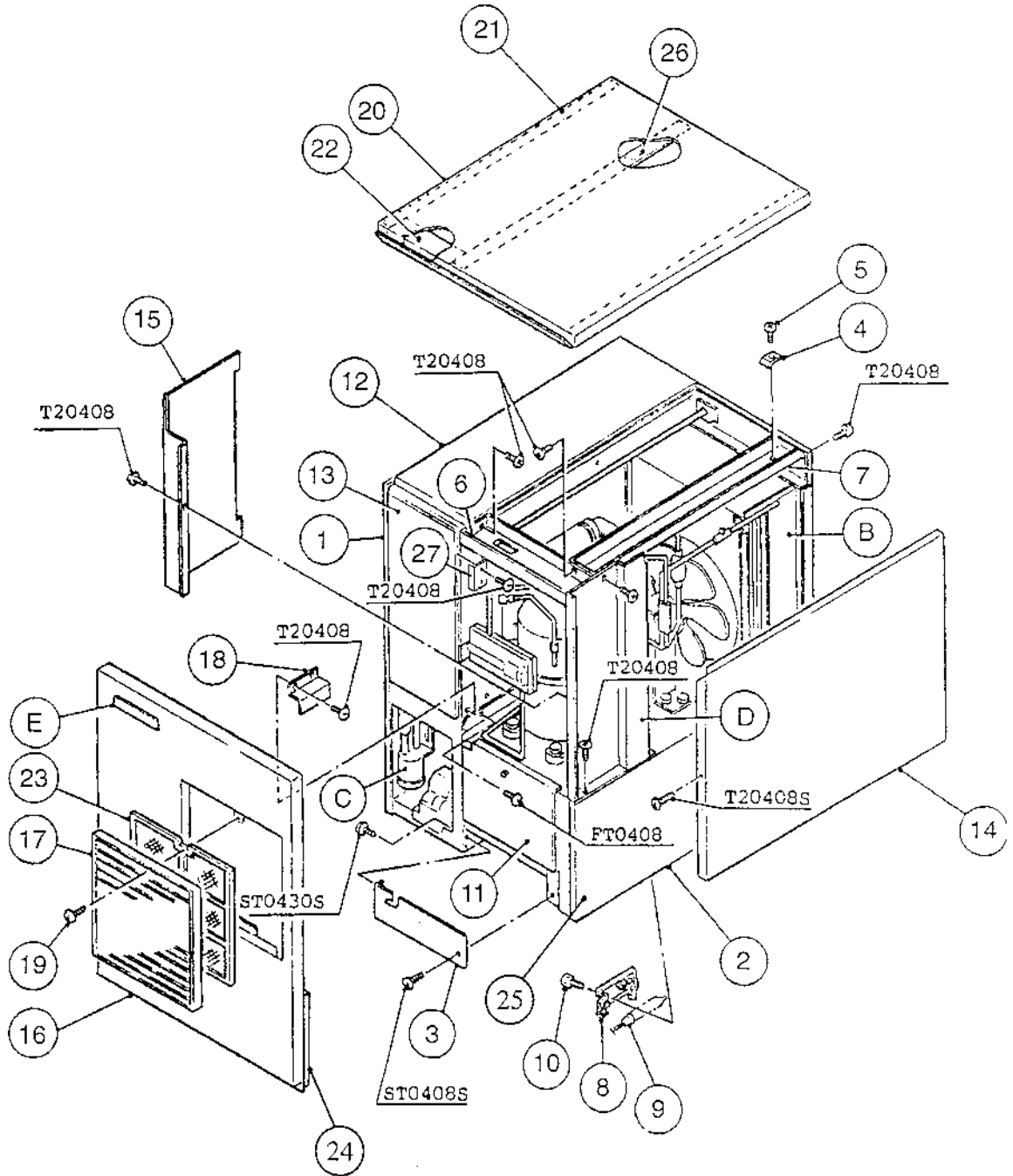


HA

KM-280MAE

A. ICE CUBER ASSEMBLY

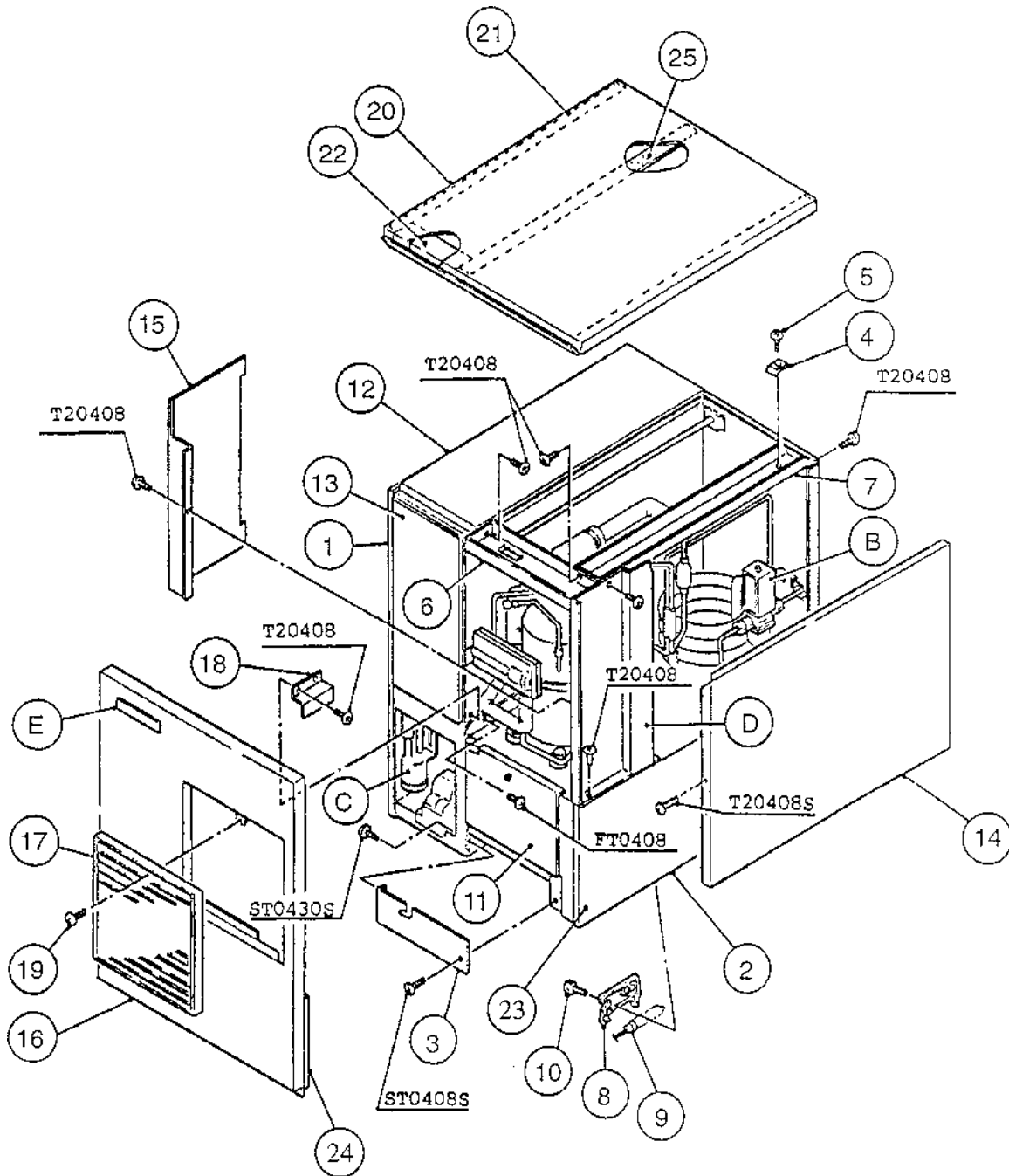
G-0, G-1, G-2, H-0, H-1, H-2, H-3, H-4, J-0

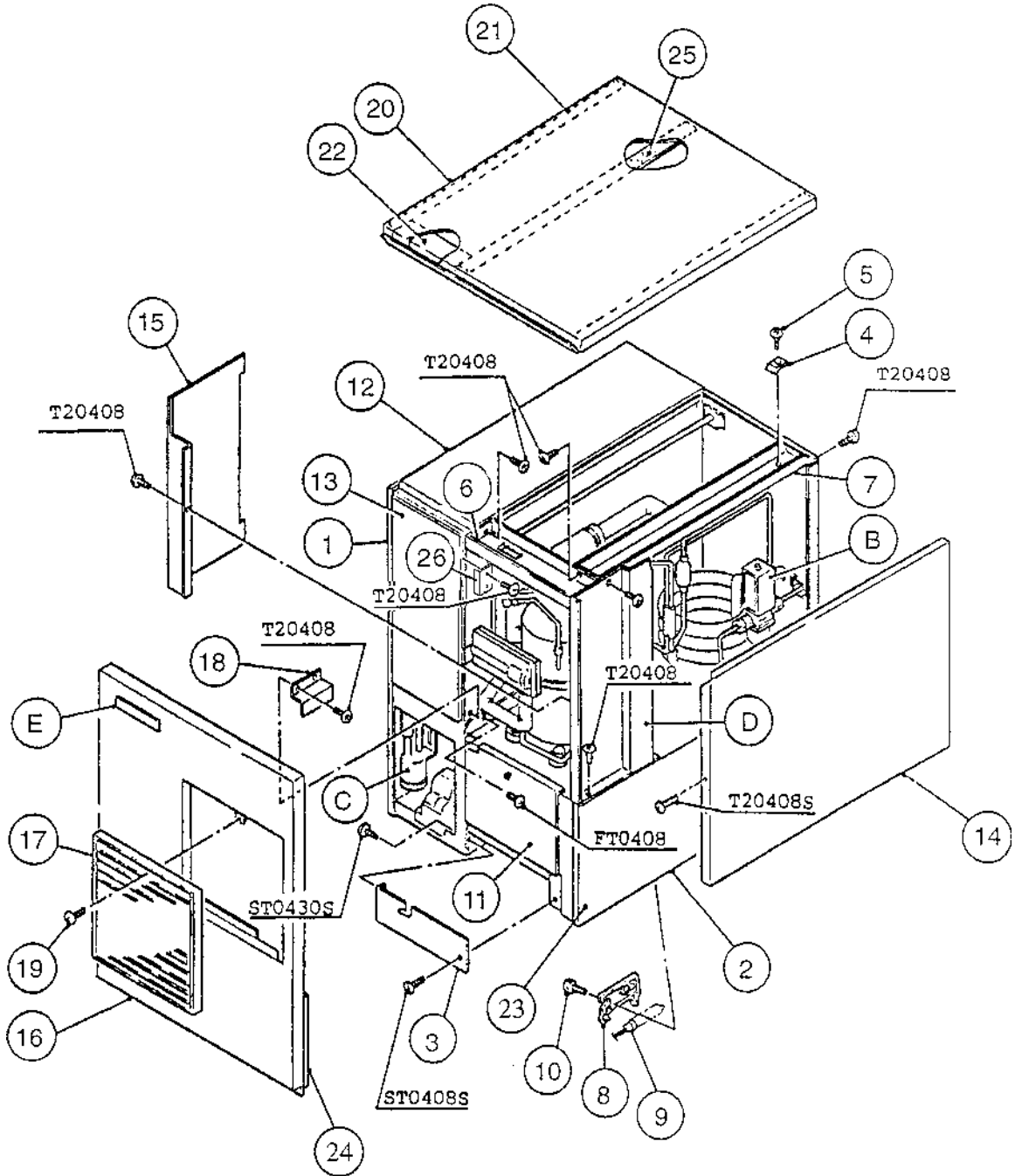


HA

MODEL: KM-280MAE TITLE: A. ICE CUBER ASSEMBLY												
INDEX NO.	DESCRIPTION	MATERIAL OR MODEL NUMBER	PART NUMBER	REQUIRED NUMBER								
				F-1	G-0	G-1	G-2	H-0	H-1	H-2	H-3	H-4 J-0
B	REFRIGERATION CIRCUIT	-	1A0136A02	1	1	1	1	1	1	1	1	1
C	WATER CIRCUIT	-	1A0137A01	1	1	X1						
		-	1A0137A02			01	1	1	1	-		
		-	1A0137A03							1	1	1
D	CONTROL BOX ASSEMBLY	-	220492A03	1	1	1	1	1	-			
		-	220492A07						1	1	-	
		-	220492A03								1	-
		-	220492A07									1
E	LABEL LOCATION	-	332453A02	1	1	1	1	1	-			
		-	332453A04						1	1	1	1
1	EVAPORATOR CASE	-	2A0143G01	1	1	1	1	1	1	1	X1	
		-	1A0276G01								01	1
2	BASE	-	2A0119G07	1	1	1	1	1	1	1	1	1
3	FRAME	ABS	3A0217G01	1	1	1	1	1	1	1	1	1
4	SQUARE WASHER	BRASS	433537-02	1	1	1	1	1	1	1	1	1
5	SCREW - GROUNDING	BRASS	433304-02	1	1	1	1	1	1	1	1	1
6	TOP FRAME	GS	332443-01	1	1	1	1	1	1	1	1	1
7	SIDE FRAME	GS	332465G01	1	1	1	1	1	1	1	1	1
8	BULB HOLDER	PE	328919-01	1	1	1	1	1	1	1	1	1
9	SPACER	PE	443545-01	1	1	1	1	1	1	1	1	1
10	THUMBSCREW	SS, ABS	415949G03	2	2	2	2	2	2	2	2	2
11	BASE COVER	SS	321525G01	1	1	1	1	1	1	1	1	1
12	TOP INSULATION	PP	215730G01	1	1	1	1	1	1	1	1	1
13	FRONT INSULATION	PP	215731G01	1	1	1	1	1	1	1	1	1
14	SIDE PANEL (R)	SS	211811G06	1	1	1	1	1	1	1	1	1
15	CONTROL BOX COVER	GS	332466-01	1	1	1	1	1	1	1	1	1
16	FRONT PANEL	SS	323004G07	1	1	1	1	1	1	1	1	1

MODEL: KM-280MAE TITLE: A. ICE CUBER ASSEMBLY												
INDEX NO.	DESCRIPTION	MATERIAL OR MODEL NUMBER	PART NUMBER	REQUIRED NUMBER								
				F-1	G-0	G-1	G-2	H-0	H-1	H-2	H-3	H-4 J-0
17	LOUVER (B)	ABS	103121-03	1	1	1	1	1	1	1	1	1
18	BARRIER	GS	4A0362-01	1	1	1	1	1	1	1	1	1
19	TAPPING SCREW (BLACK)	STEEL, 4x8	433954-01	1	1	1	1	1	1	1	1	1
20	TOP PANEL	SS	220465-01	1	1	1	1	1	1	1	1	1
21	GASKET	PVC	427014-04	2	2	2	2	2	2	2	2	2
22	INSULATION	PE FOAM	438012-01	1	1	1	1	1	1	1	1	1
23	AIR FILTER (B)	ABS	208283G03	1	1	1	1	1	1	1	1	1
24	FRONT COVER	P.S	2A0182-01	1	1	1	1	1	1	1	1	1
25	SIDE PANEL (R) BASE	SS	212620-01	1	1	1	1	1	1	1	1	1
26	GASKET	PVC	324859-03	1	1	1	1	1	1	1	1	1
27	BARRIER – INSULATION	GS	4A1167-01		1	1	1	1	1	1	1	1





MODEL: KM-280MWE TITLE: A. ICE CUBER ASSEMBLY												
INDEX NO.	DESCRIPTION	MATERIAL OR MODEL NUMBER	PART NUMBER	REQUIRED NUMBER								
				F-0	G-0	G-2	H-0	H-1	H-2	J-0		
B	REFRIGERATION CIRCUIT	-	1A0135A01	1	1	1	1	1	1	1		
C	WATER CIRCUIT	-	1A0137A01	1	1	1	X1					
		-	1A0137A02				01	-				
		-	1A0137A03					1	1	1		
D	CONTROL BOX ASSEMBLY	-	220492A04	1	1	1	-					
		-	220492A08				1	1	1	1		
E	LABEL LOCATION	-	332454A02	1	1	1	1	-				
		-	332454A04					1	1	1		
1	EVAP. CASE	-	2A0143G01	1	1	1	1	1	1	X1		
		-	1A0276G01								01	
2	BASE	-	2A0119G10	1	1	1	1	1	1	1		
3	FRAME	-	3A0217G01	1	1	1	1	1	1	1		
4	SQUARE WASHER	BRASS	433537-02	1	1	1	1	1	1	1		
5	SCREW - GROUNDING	BRASS	433304-02	1	1	1	1	1	1	1		
6	TOP FRAME	GS	332443-01	1	1	1	1	1	1	1		
7	SIDE FRAME	GS	332465G01	1	1	1	1	1	1	1		
8	BULB HOLDER	PE	328919-01	1	1	1	1	1	1	1		
9	SPACER	PE	443545-01	1	1	1	1	1	1	1		
10	THUMBSCREW	SS, ABS	415949G03	2	2	2	2	2	2	2		
11	BASE COVER	SS	321525G01	1	1	1	1	1	1	1		
12	TOP INSULATION	PP	215730G01	1	1	1	1	1	1	1		
13	FRONT INSULATION	PP	215731G01	1	1	1	1	1	1	1		
14	SIDE PANEL (R)	SS	211811G06	1	1	1	1	1	1	1		
15	CONTROL BOX COVER	GS	332466-01	1	1	1	1	1	1	1		
16	FRONT PANEL	SS	323004G07	1	1	1	1	1	1	1		
17	LOUVER (B)	ABS	103121-03	1	1	1	1	1	1	1		
18	BARRIER	GS	4A0362-01	1	1	1	1	1	1	1		
19	TAPPING SCREW (BLACK)	STEEL, 4x8	433954-01	1	1	1	1	1	1	1		

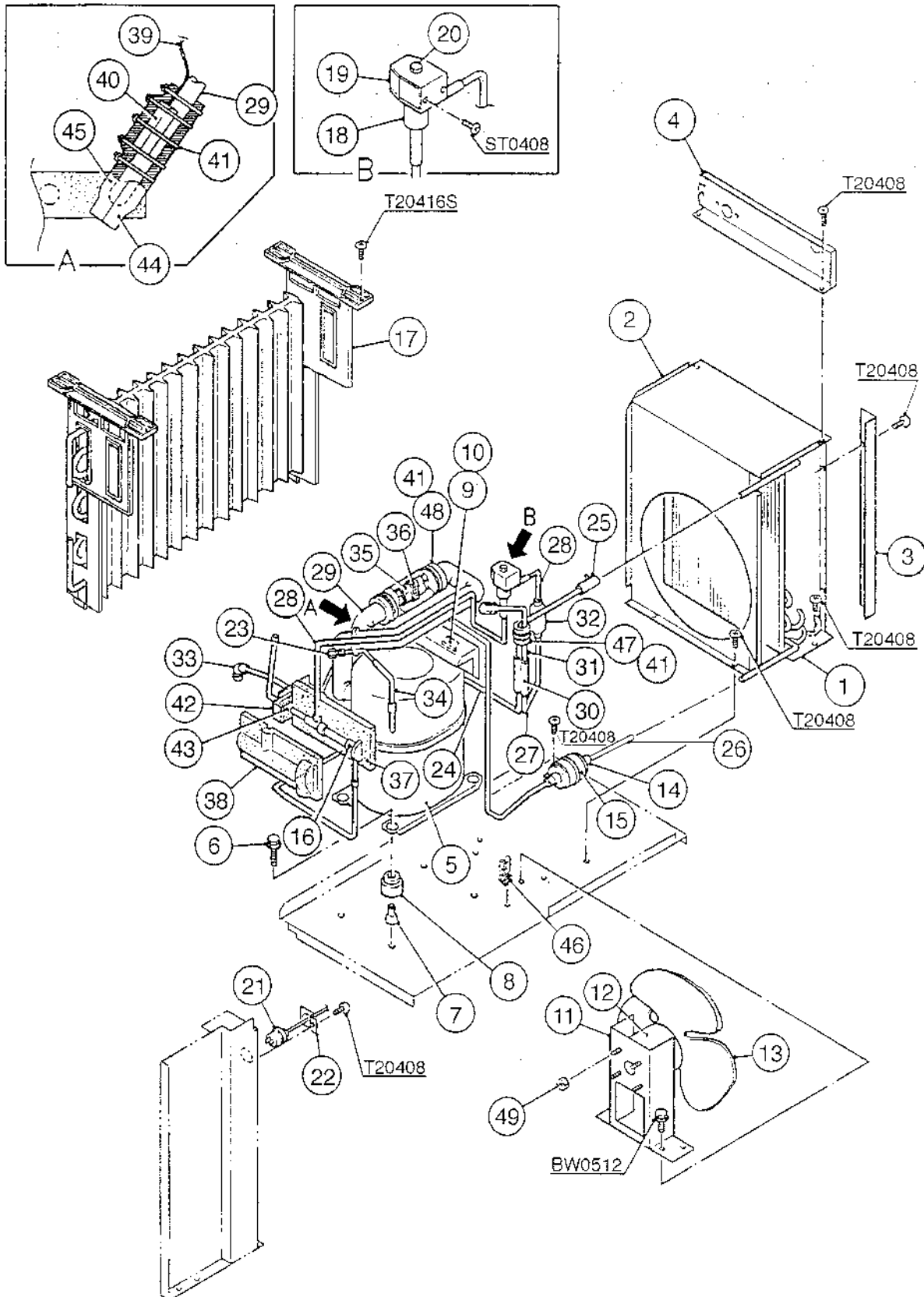
HA

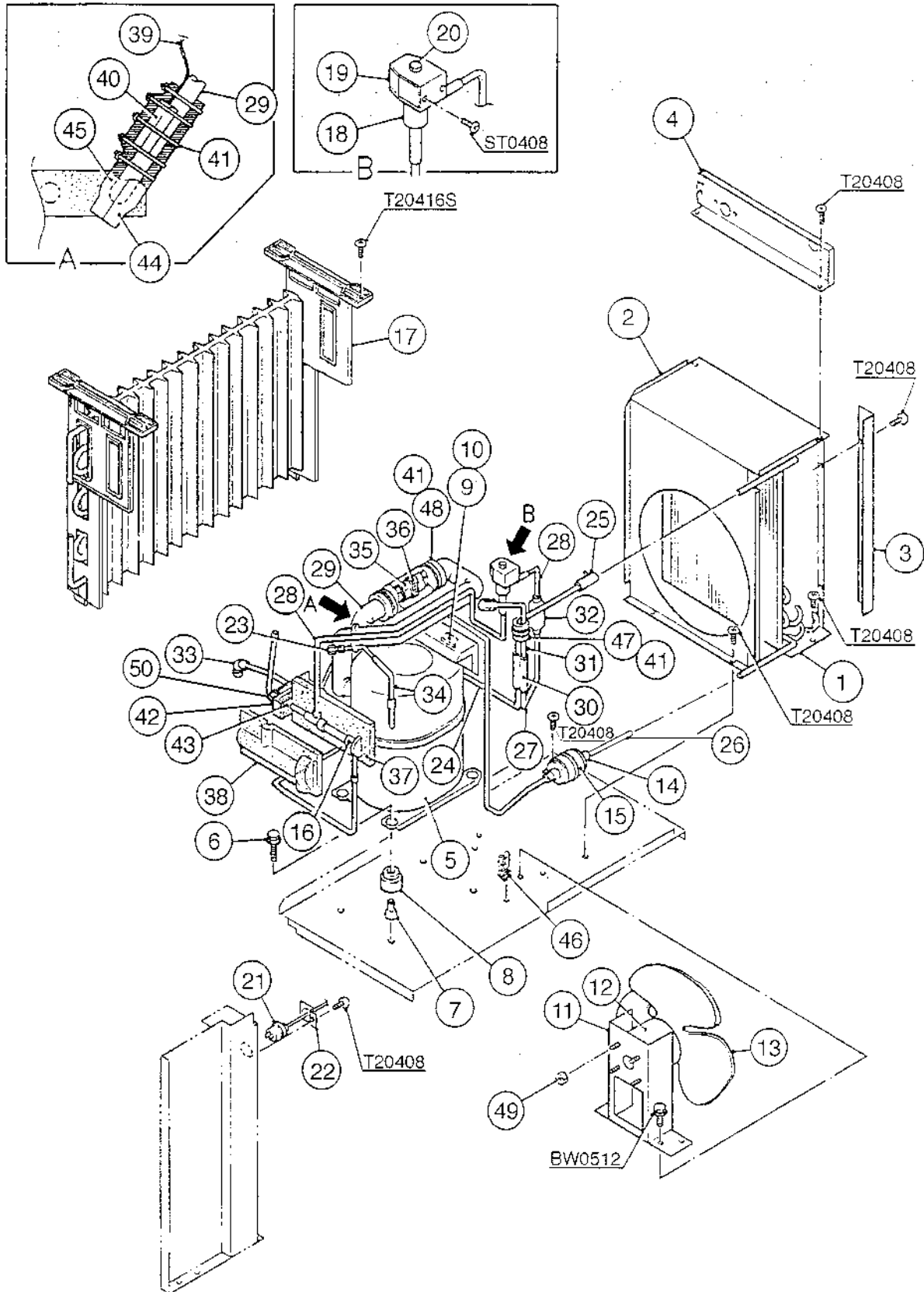
MODEL: KM-280MWE TITLE: A. ICE CUBER ASSEMBLY												
INDEX NO.	DESCRIPTION	MATERIAL OR MODEL NUMBER	PART NUMBER	REQUIRED NUMBER								
				F-0	G-0	G-2	H-0	H-1	H-2	J-0		
20	TOP PANEL	(324859A03), SS	220465-01	1	1	1	1	1	1	1		
21	GASKET	PVC	427014-04	2	2	2	2	2	2	2		
22	INSULATION	PE FOAM	438012-01	1	1	1	1	1	1	1		
23	SIDE PANEL (R) BASE	SS	212620-01	1	1	1	1	1	1	1		
24	FRONT COVER	P.S	2A0182-01	1	1	1	1	1	1	1		
25	GASKET	PVC	324859-03	1	1	1	1	1	1	1		
26	BARRIER – INSULATION	GS	4A1167-01		1	1	1	1	1	1		

HA

KM-280MAE B. REFRIGERATION CIRCUIT

F-1, G-0, G-1, G-2, H-0, H-1, H-2, H-3, H-4





HA

MODEL: KM-280MAE TITLE: B. REFRIGERATION CIRCUIT												
INDEX NO.	DESCRIPTION	MATERIAL OR MODEL NUMBER	PART NUMBER	REQUIRED NUMBER								
				F-1	G-0	G-1	G-2	H-0	H-1	H-2	H-3	H-4 J-0
1	CONDENSER	-	2A0562-01	1	1	1	1	1	1	1	1	1
2	SHROUD	GS	2A0606-01	1	1	1	1	1	1	1	1	1
3	BARRIER	GS	433693-04	1	1	1	1	1	1	1	1	1
4	REAR PANEL	GS	3A0562-01	1	1	1	1	1	1	1	1	1
5	COMPRESSOR	RSU-0050- CAA	436634-01	1	1	1	1	1	1	1	1	1
6	BOLT	8x45	437889-01	4	4	4	4	4	4	4	4	4
7	SPACER	027-0072-02	434404-01	4	4	4	4	4	4	4	4	4
8	GROMMET	527-0039-04	434403-01	4	4	4	4	4	4	4	4	4
9	MOTOR PROTECTOR	071-0370-30	437340-01	1	1	1	1	1	1	1	1	1
10	PROTECTOR HOLDER	SS	437339-01	1	1	1	1	1	1	1	1	1
11	FAN MOTOR BRACKET	GS	327179-01	1	1	1	1	1	1	1	1	1
12	FAN MOTOR	U90B1, 7190-1031	440911-01	1	1	1	1	1	1	1	1	1
13	FAN BLADE	AD10CW32	444898-01	1	1	1	1	1	1	1	1	1
14	DRIER	C-0325-S	445007-01	1	1	1	1	1	1	1	1	1
15	DRIER BRACKET	GS	445847-01	1	1	1	1	1	1	1	1	1
16	EXPANSION VALVE	HFE-5HHD-5	446461-01	1	1	1	1	1	1	1	1	1
17	EVAPORATOR	-	1A0138G01	1	1	1	1	1	1	1	1	1
18	VALVE BODY	24	440351-01	1	1	1	1	1	1	1	1	1
19	COIL - VALVE	ADS-24-HD-2	440355-01	1	1	1	1	1	1	1	1	1
20	BOLT	4x6	440353F01	1	1	1	1	1	1	1	1	1
21	PRESSURE SWITCH	ACB-2UB04	433441-05	1	1	1	1	1	1	1	1	1
22	PRESSURE SWITCH BRACKET	GS	434938-01	1	1	1	1	1	1	1	1	1
23	ACCESS VALVE	TCJ-2F15-HD	417366-01	2	2	2	2	2	2	2	2	2

MODEL: KM-280MAE TITLE: B. REFRIGERATION CIRCUIT												
INDEX NO.	DESCRIPTION	MATERIAL OR MODEL NUMBER	PART NUMBER	REQUIRED NUMBER								
				F-1	G-0	G-1	G-2	H-0	H-1	H-2	H-3	H-4 J-0
24	COPPER TUBE (A1) - HIGH SIDE	COPPER	3A0510-01	1	1	1	1	1	1	1	1	1
25	COPPER TUBE (B) - HIGH SIDE	COPPER	3A0511G01	1	1	1	1	1	1	1	1	1
26	COPPER TUBE (C) - HIGH SIDE	COPPER	4A0830-01	1	1	1	1	1	1	1	1	1
27	COPPER TUBE (A) - HOT GAS	COPPER	4A0829-01	1	1	1	1	1	1	1	1	1
28	COPPER TUBE (B) - HOT GAS	COPPER	2A0563G01	1	1	1	1	1	1	1	1	1
29	HEAT EXCHANGER	-	2A0564G01	1	1	1	1	1	1	1	1	1
30	DISTRIBUTOR	AP71412	439624-01	1	1	1	1	1	1	1	1	1
31	COPPER TUBE - ACCESS VALVE	COPPER	446572-01	1	1	X1						
		COPPER	446572G01			01	1	1	1	1	1	1
32	STRAINER	-	441569-01	1	1	1	1	1	1	1	1	1
33	ELBOW	COPPER	417395-03	1	1	1	1	1	1	1	1	1
34	COPPER TUBE - ACCESS VALVE	COPPER	443913-01	1	1	1	1	1	1	1	1	1
35	HOLDER / EXP. VALVE - 3/8	SS	3A0107-01	1	1	1	1	1	1	1	1	1
36	CLAMP	SS	443461-02	1	1	1	1	1	1	1	1	1
37	EXP. VALVE COVER (A)	PE FOAM	322621-01	1	1	1	1	1	1	1	1	1
38	EXP. VALVE COVER (B)	PE FOAM	322621-02	1	1	1	1	1	1	1	1	1
39	THERMISTOR	-	429006-03	1	1	1	1	1	1	1	1	1
40	HOLDER - THERMISTOR	COPPER	427430-01	1	1	1	1	1	1	1	1	1

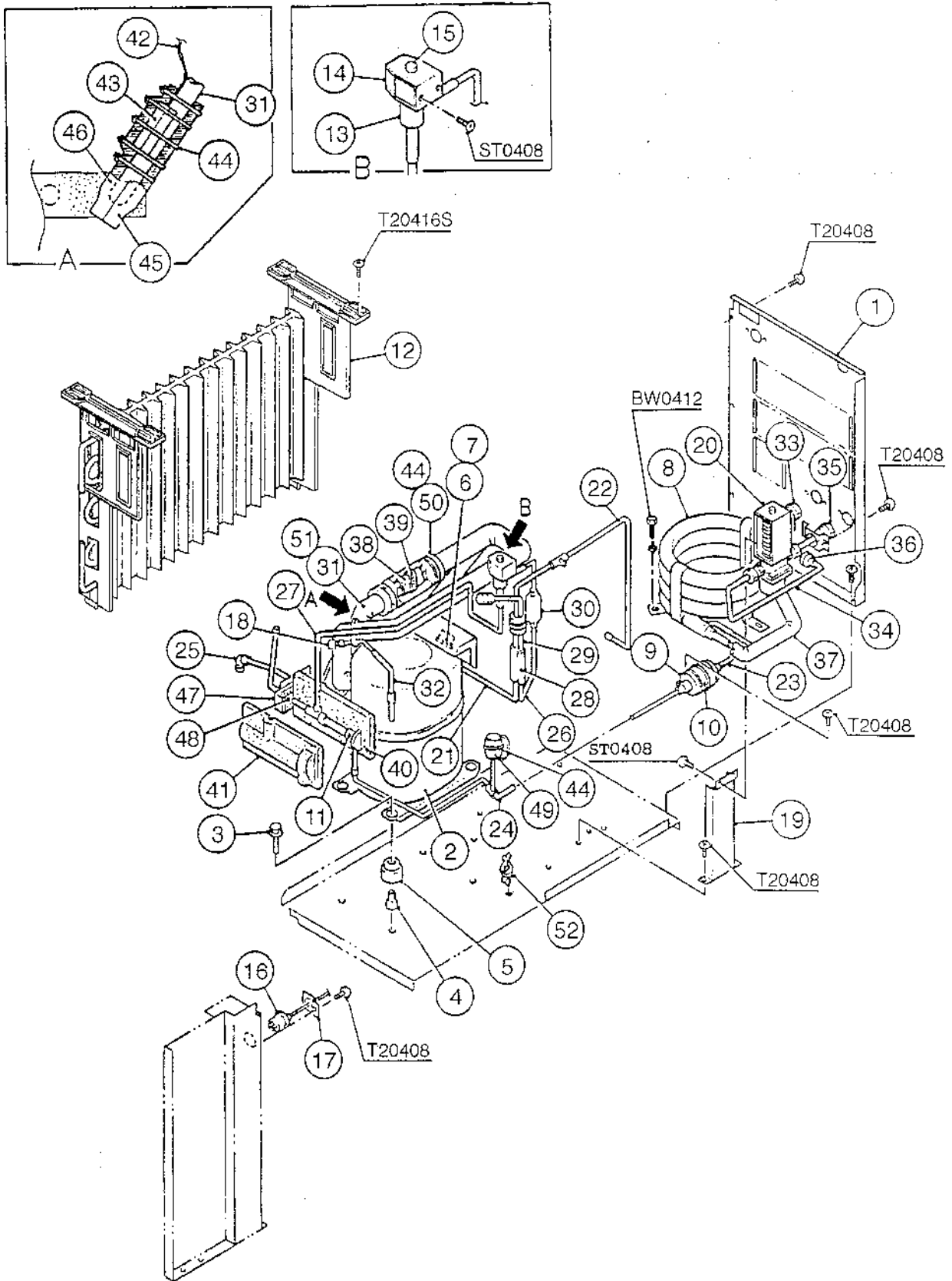
HA

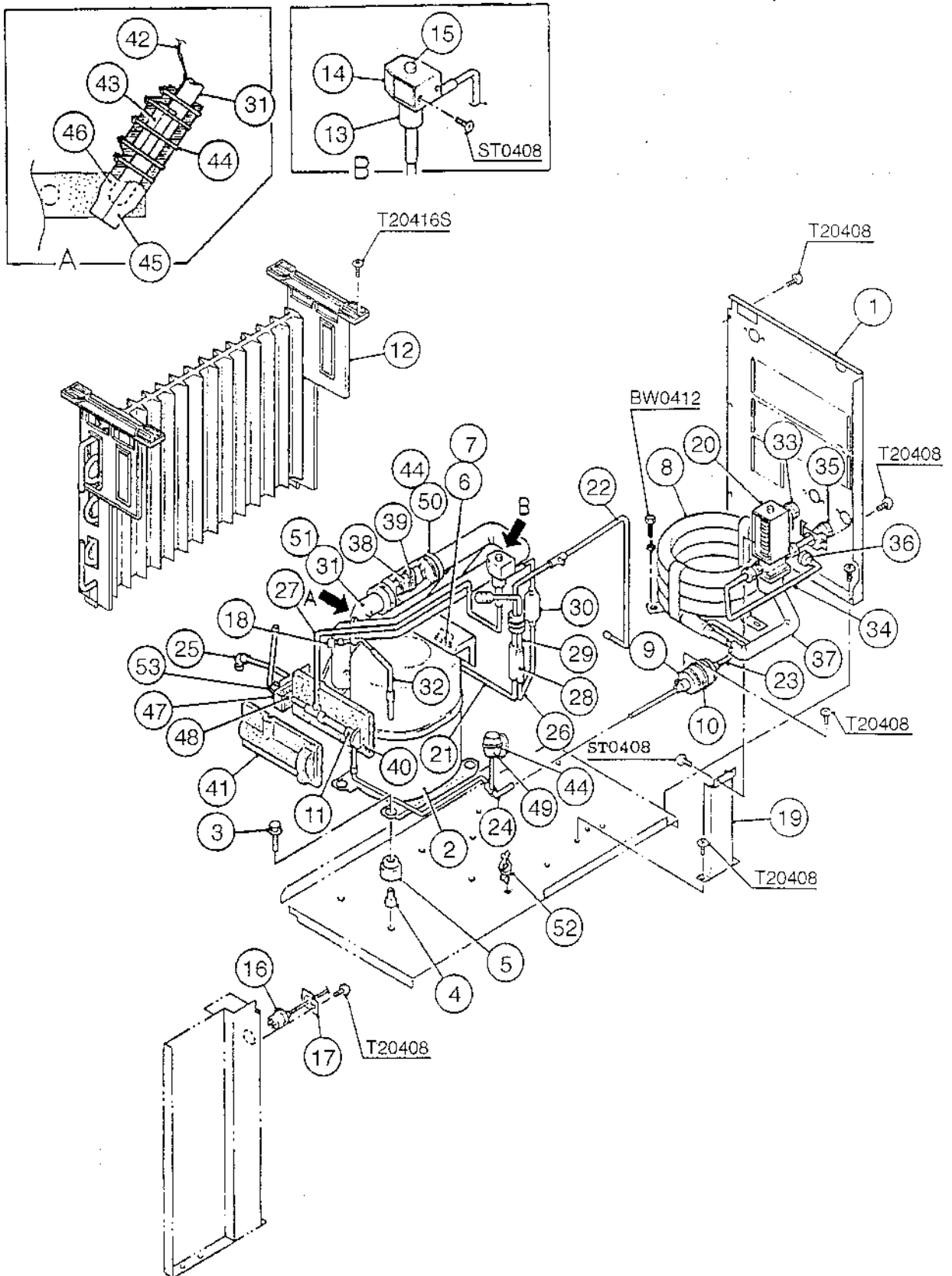
MODEL: KM-280MAE TITLE: B. REFRIGERATION CIRCUIT													
INDEX NO.	DESCRIPTION	MATERIAL OR MODEL NUMBER	PART NUMBER	REQUIRED NUMBER									
				F-1	G-0	G-1	G-2	H-0	H-1	H-2	H-3 H-4	J-0	
41	CABLE TIE	CV-200 (PLT-2N)	7920-0010	11	11	11	11	11	11	11	11	11	
42	RUBBER TUBE (A)	(433694A01) EPDM	321424-01	1	1	1	1	1	1	1	1	1	
43	INSULATION	PE FOAM	433695-01	1	1	1	1	1	1	1	1	1	
44	INSULATION - THERMISTOR (A)	PE FOAM	439368-01	1	1	1	1	1	1	1	1	1	
45	INSULATION - THERMISTOR (B)	PE FOAM	439368-02	1	1	1	1	1	1	1	1	1	
46	WIRE SADDLE	VWS4238-C	4A0338-02	4	4	4	4	4	4	4	4	4	
47	INSULATION TUBE	L=30	7762-1020	1	1	1	1	1	1	1	1	1	
48	INSULATION TUBE	L=140	7762-2949	X1									
		L=140	7762-2943	01	1	1	1	1	1	1	1	1	
49	SELF-LOCKING NUT	SS	7N2110832	4	4	4	4	4	4	4	4	4	
50	INSULATION TUBE	L=40	7762-1030									1	

HA

KM-280MWE B. REFRIGERATION CIRCUIT

F-1, G-0, G-1, G-2, H-0, H-1, H-2, H-3, H-4



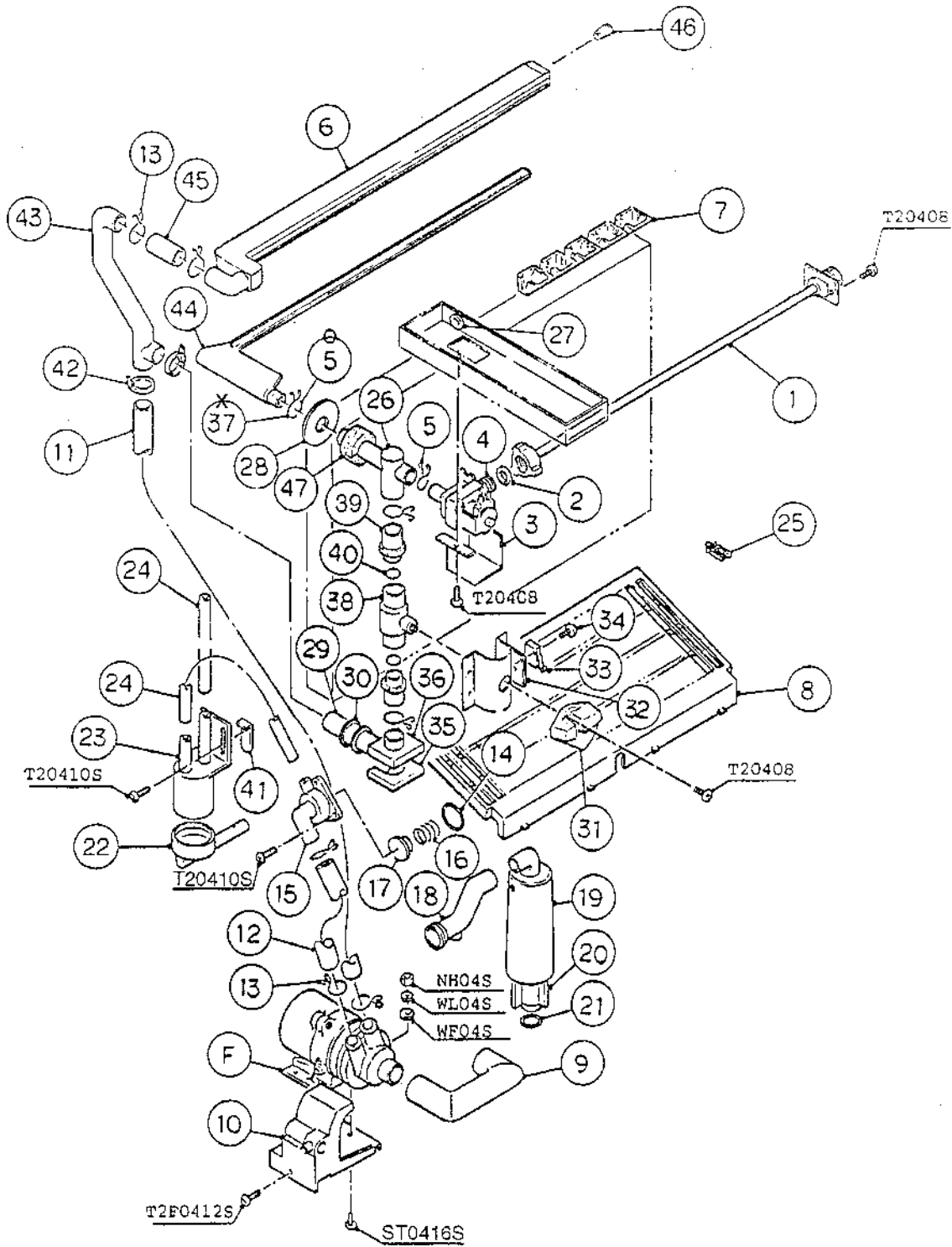


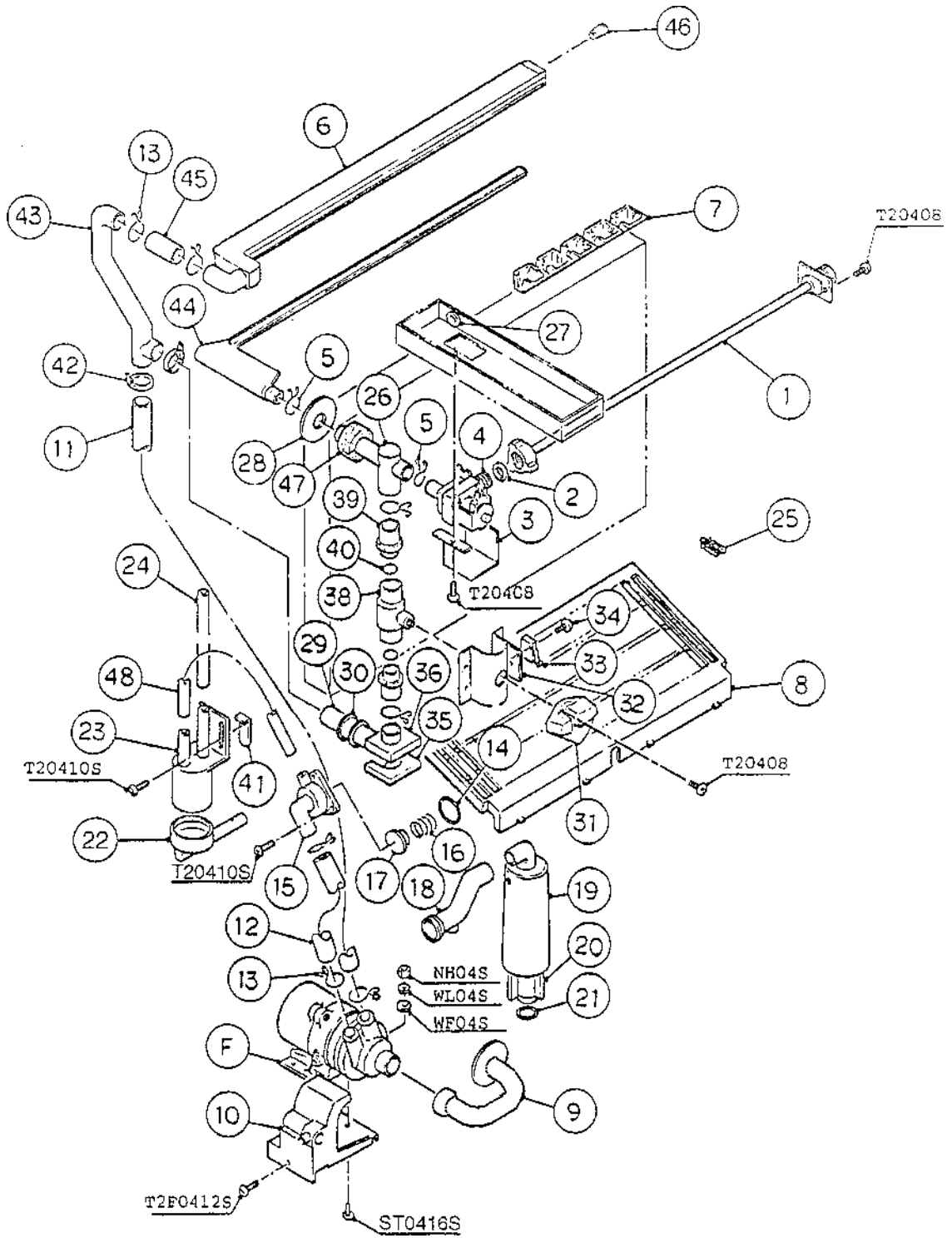
MODEL: KM-280MWE TITLE: B. REFRIGERATION CIRCUIT												
INDEX NO.	DESCRIPTION	MATERIAL OR MODEL NUMBER	PART NUMBER	REQUIRED NUMBER								
				F-0	G-0	G-2	H-0	H-1	H-2	J-0		
1	REAR PANEL	GS	220467-02	1	1	1	1	1	1	1		
2	COMPRESSOR	RSU4-0050-CAA	436634-01	1	1	1	1	1	1	1		
3	BOLT	8x45	437889-01	4	4	4	4	4	4	4		
4	SPACER	027-0072-02	434404-01	4	4	4	4	4	4	4		
5	GROMMET	527-0039-04	434403-01	4	4	4	4	4	4	4		
6	MOTOR PROTECTOR	071-0370-30	437340-01	1	1	1	1	1	1	1		
7	PROTECTOR HOLDER	SS	437339-01	1	1	1	1	1	1	1		
8	CONDENSER - WATER-COOLED	(S-0799)	215544G02	1	1	1	1	1	1	1		
9	DRIER	C-0325-S	445007-01	1	1	1	1	1	1	1		
10	DRIER BRACKET	GS	445847-01	1	1	1	1	1	1	1		
11	EXPANSION VALVE	HFE-5HHD-5	446461-01	1	1	1	1	1	1	1		
12	EVAPORATOR	-	1A0138G01	1	1	1	1	1	1	1		
13	VALVE BODY	24	440351-01	1	1	1	1	1	1	1		
14	COIL - VALVE	ADS-24HD-2	440355-01	1	1	1	1	1	1	1		
15	BOLT	4x6	440355F01	1	1	1	1	1	1	1		
16	PRESSURE SWITCH	ACB-2UB02	433441-01	1	1	1	1	1	1	1		
17	PRESSURE SWITCH BRACKET	GS	434938-01	1	1	1	1	1	1	1		
18	ACCESS VALVE	TCJ-2F15-HD	417366-01	2	2	2	2	2	2	2		
19	WATER REGULATOR BRACKET	GS	436897-01	1	1	1	1	1	1	1		
20	WATER REGULATOR	WV11-33RHD	415425-01	1	1	1	1	1	1	1		
21	COPPER TUBE (A1) - HIGH SIDE	COPPER	3A0510-01	1	1	1	1	1	1	1		
22	COPPER TUBE (B) - HIGH SIDE	COPPER	3A0508G01	1	1	1	1	1	1	1		

HA

MODEL: KM-280MWE TITLE: B. REFRIGERATION CIRCUIT													
INDEX NO.	DESCRIPTION	MATERIAL OR MODEL NUMBER	PART NUMBER	REQUIRED NUMBER									
				F-0	G-0	G-2	H-0	H-1	H-2	J-0			
23	COPPER TUBE (C) - HIGH SIDE	COPPER	446540-01	1	1	1	1	1	1	1			
24	COPPER TUBE (D) - HIGH SIDE	COPPER	3A0507G01	1	1	1	1	1	1	1			
25	ELBOW	COPPER	417395-03	1	1	1	1	1	1	1			
26	COPPER TUBE (A) - HOT GAS	COPPER	4A0829-01	1	1	1	1	1	1	1			
27	COPPER TUBE (B) - HOT GAS	COPPER	2A0563G01	1	1	-							
		COPPER	2A0904G01			1	1	1	1	1			
28	DISTRIBUTOR	AP-71412	439624-01	1	1	1	1	1	1	1			
29	COPPER TUBE - ACCESS VALVE	COPPER	446572-01	1	1	X1							
		COPPER	446572G01			01	1	1	1	1			
30	STRAINER	-	441569-01	1	1	1	1	1	1	1			
31	COPPER TUBE - LOW SIDE	COPPER	2A0567-01	1	1	1	1	1	1	1			
32	COPPER TUBE - ACCESS VALVE	COPPER	443913-01	1	1	1	1	1	1	1			
33	COPPER TUBE (A) - WATER CIRCUIT	COPPER	3A0466G01	1	1	1	1	1	1	1			
34	COPPER TUBE (B) - WATER CIRCUIT	COPPER	4A0789-01	1	1	1	1	1	1	1			
35	COPPER TUBE (C)	COPPER	4A0780G01	1	1	1	1	1	1	1			
36	REDUCER	COPPER	421904-03	1	1	1	1	1	1	1			
37	INSULATION TUBE	L=230	7762-1323	1	1	1	1	1	1	1			
38	HOLDER / EXP. VALVE - 3/8	SS	3A0107-01	1	1	1	1	1	1	1			
39	CLAMP	SS	443461-02	1	1	1	1	1	1	1			

MODEL: KM-280MWE TITLE: B. REFRIGERATION CIRCUIT													
INDEX NO.	DESCRIPTION	MATERIAL OR MODEL NUMBER	PART NUMBER	REQUIRED NUMBER									
				F-0	G-0	G-2	H-0	H-1	H-2	J-0			
40	EXP. VALVE COVER (A)	PE FOAM	322621-01	1	1	1	1	1	1	1	1		
41	EXP. VALVE COVER (B)	PE FOAM	322621-02	1	1	1	1	1	1	1	1		
42	THERMISTOR	-	429006-03	1	1	1	1	1	1	1	1		
43	HOLDER - THERMISTOR	COPPER	427430-01	1	1	1	1	1	1	1	1		
44	CABLE TIE	CV-200 (PLT-2N)	7920-0010	12	12	12	12	12	12	12	12		
45	INSULATION - THERMISTOR (A)	PE FOAM	439368-01	1	1	1	1	1	1	1	1		
46	INSULATION - THERMISTOR (B)	PE FOAM	439368-02	1	1	1	1	1	1	1	1		
47	RUBBER TUBE (A)	(433694A01) EPDM	321424-01	1	1	1	1	1	1	1	1		
48	INSULATION	PE FOAM	433695-01	1	1	1	1	1	1	1	1		
49	INSULATION TUBE	L=30	7762-1020	2	2	2	2	2	2	2	2		
50	INSULATION TUBE	L=140	7762-2949	X1									
			7762-2943	01	1	1	1	1	1	1	1		
51	INSULATION TUBE	L=540	7762-1330	1	-								
			7762-2040		1	1	1	1	1	1	1		
52	WIRE SADDLE	VWS4238-C	4A0338-02	3	3	3	3	3	3	3	3		
53	INSULATION TUBE	L=40	7762-1030								1		





HA

MODEL: KM-280MAE TITLE: C. WATER CIRCUIT												
INDEX NO.	DESCRIPTION	MATERIAL OR MODEL NUMBER	PART NUMBER	REQUIRED NUMBER								
				F-1	G-0	G-1	G-2	H-0	H-1	H-2	H-3	H-4 J-0
F	PUMP MOTOR ASSEMBLY	HS-057	3A0505A01	1	1	1	1	1	1	-		
		HS-0127	3A1092A01							1	1	1
1	WATER SUPPLY PIPE	COPPER	4A0768G04	1	1	1	1	1	1	1	1	1
2	RUBBER GASKET	NR	413854-03	1	1	1	1	1	1	1	1	1
3	WATER VALVE BRACKET	GS	321443-01	1	1	1	1	1	1	1	1	1
4	WATER VALVE	J248-647	3U0150-01	1	1	1	1	1	1	1	1	1
5	HOSE CLAMP	SS, 18MM	427443-05	1								
				2	2	2	2	2	2	2	2	2
6	SPRAY TUBE	PE	1A0133-01	1	1	1	1	1	1	-		
		-	1A0222-01							1	1	1
7	SPRAY GUIDE (A)	PE	208586-01	3	3	3	3	3	3	3	3	3
8	CUBE GUIDE	ABS	212088-01	1	1	1	1	1	1	1	1	1
9	SUCTION HOSE	EPDM	433466-01	1	1	1	1	1	1	-		
		-	4A1380-01							1	1	1
10	PUMP MOTOR BRACKET	PC	211408-01	1	1	1	1	1	1	1	1	1
11	VINYL HOSE	L=430	7716-2025	1	1	1	1	1	1	1	1	1
12	VINYL HOSE	L=110	7716-2025	1	1	1	1	1	1	1	1	1
13	HOSE CLAMP	SS, 25MM	427443-03	9	9	9	9	9	9	9	9	9
14	"O" RING	1AG35	7611-G035	1	1	1	1	1	1	1	1	1
15	VALVE HOUSING - DRAIN	ABS	321001-01	1	1	1	1	1	1	1	1	1
16	SPRING	SS	3A0522-01	1	1	1	1	1	1	-		
		SS	3A1091-01							1	1	1
17	VALVE SHEET	EPDM	433705-01	1	1	1	1	1	1	1	1	1
18	DRAIN HOSE	EPDM	433468-01	X1								
		SANTOPRENE	433468-01	01	1	1	1	1	1	1	1	1
19	OVERFLOW CAP	PE	321002-01	1	1	1	1	1	1	1	1	1

MODEL: KM-280MAE TITLE: C. WATER CIRCUIT												
INDEX NO.	DESCRIPTION	MATERIAL OR MODEL NUMBER	PART NUMBER	REQUIRED NUMBER								
				F-1	G-0	G-1	G-2	H-0	H-1	H-2	H-3	H-4 J-0
20	OVERFLOW PIPE	ABS	430722-04	1	1	1	1	1	1	-		
		-	430722-05							1	1	1
21	"O" RING	1AP32	7611-P032	1	1	1	1	X1				
		-	4A1234-01					01	1	1	1	1
22	CONNECTOR - FLOAT SWITCH	EPDM	426799-01	1	1	1	1	1	1	1	1	1
23	FLOAT SWITCH	FS-0893B-1	433535-02	X1								
		163795	4A0886-01	01	1	1	1	1	1	1	1	1
24	VINYL HOSE	L=140	7716-0913	2	2	X2						
	SILICONE HOSE	L=140	7730I3812			02	2	2	2	1	1	1
25	WIRE SADDLE	VWS4238-C	4A0338-02	4	4	4	4	4	4	4	4	4
26	TEE	EPDM	4A0177-01	1	X1							
		SANTOPRENE	4A0177-01		01	1	1	1	1	1	1	1
27	BUSHING	OCB-750	428394-01	2	2	2	2	2	2	2	2	2
28	FLANGE	EPDM	439267-01	1	1	1	1	1	1	1	1	1
29	HOSE (B)	EPDM	436599-02	1	1	1	1	1	1	1	1	1
30	RUBBER RING	TSE2571-5U	439236-01	X1								
		EPDM	439236-01	01	1	1	1	1	1	1	1	1
31	HANDLE	JH1352	215383-01	1	1	1	1	1	1	1	1	1
32	VALVE HOLDER	GS	325825-01	1	1	1	1	1	1	1	X1	
		GS	3A1178-01								01	1
33	MICRO SWITCH	V3L-111-08	4A0365-01	1	1	1	1	1	1	1	1	1
34	TAPPING SCREW	3X14	431415-02	2	2	2	2	2	2	2	2	2
35	CORNER INSULATION (A)	PE FOAM	439376-01	1	1	1	1	1	1	1	1	1
36	CORNER INSULATION (B)	PE FOAM	439392-01	1	1	1	1	1	1	1	1	1
37	HOSE CLAMP	SS 20MM	427443-06	1								
		-		-								
38	BALL VALVE	(S-0761), PVC	439293-01	1	1	1	1	1	1	1	1	1

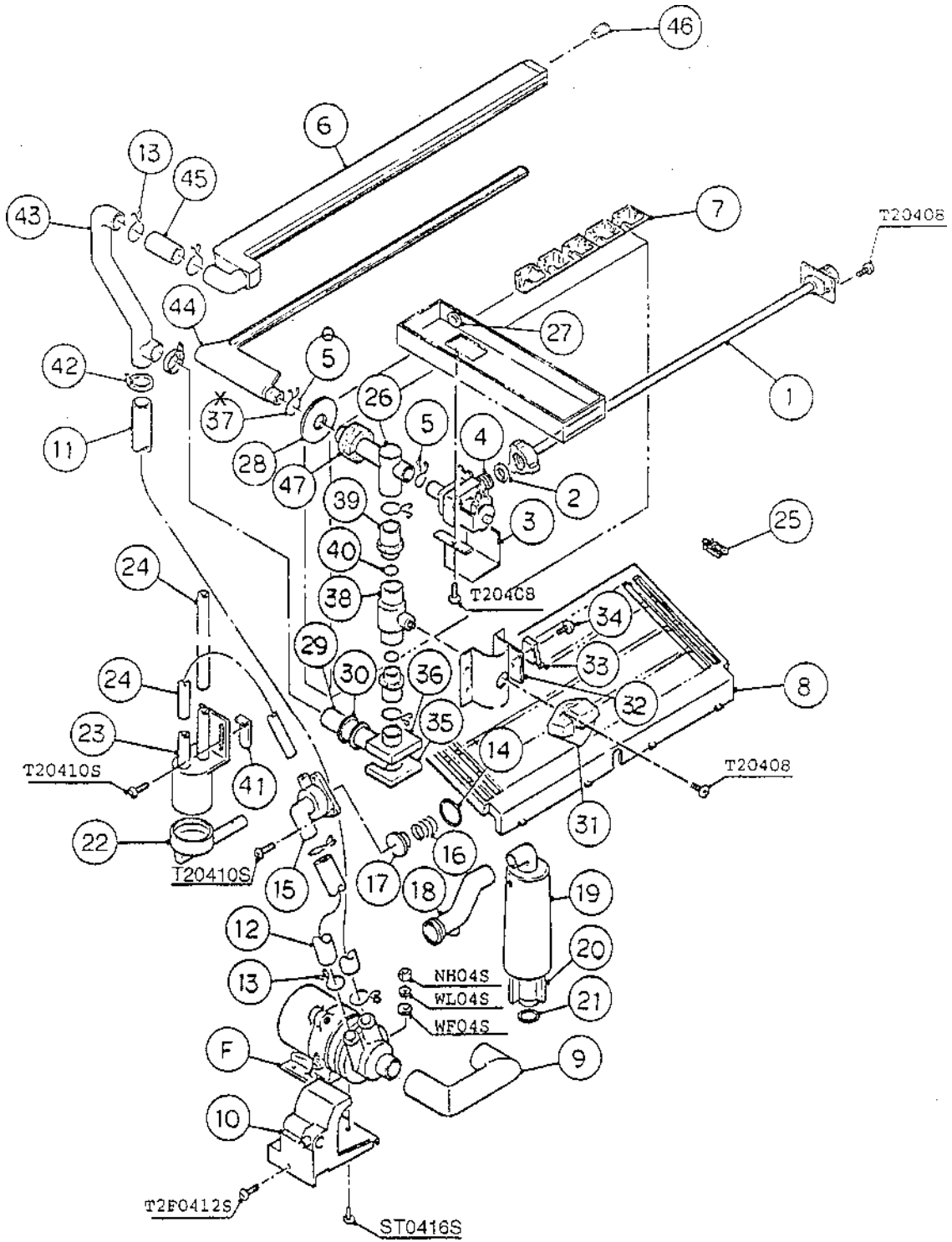
MODEL: KM-280MAE TITLE: C. WATER CIRCUIT												
INDEX NO.	DESCRIPTION	MATERIAL OR MODEL NUMBER	PART NUMBER	REQUIRED NUMBER								
				F-1	G-0	G-1	G-2	H-0	H-1	H-2	H-3	H-4 J-0
39	MALE ADAPTOR	ABS	325826-01	2	2	2	2	2	2	2	2	2
40	"O" RING	1AP18	7611-P018	2	2	2	2	2	2	2	2	2
41	FLOAT SWITCH STOP	SS	4A0137-01	1	1	1	1	1	1	1	1	1
42	TIE	CV-200	7920-0010	2	2	2	2	2	2	2	2	2
43	CONNECTING PIPE	PE	2A0088-01	1	1	1	1	1	1	1	1	1
44	WATER SUPPLY TUBE	PE	2A0560-01	1	1	1	1	1	1	1	1	1
45	VINYL HOSE	L=50	7716-2025	1	1	1	1	1	1	1	1	1
46	PLUG	EPDM	4A0176-01	1	1	1	1	1	1	1	1	1
47	INSULATION (E)	PE FOAM	4A0392-01	1	1	1	1	1	1	1	1	1
48	SILICONE HOSE	-	7730I3896							1	1	1

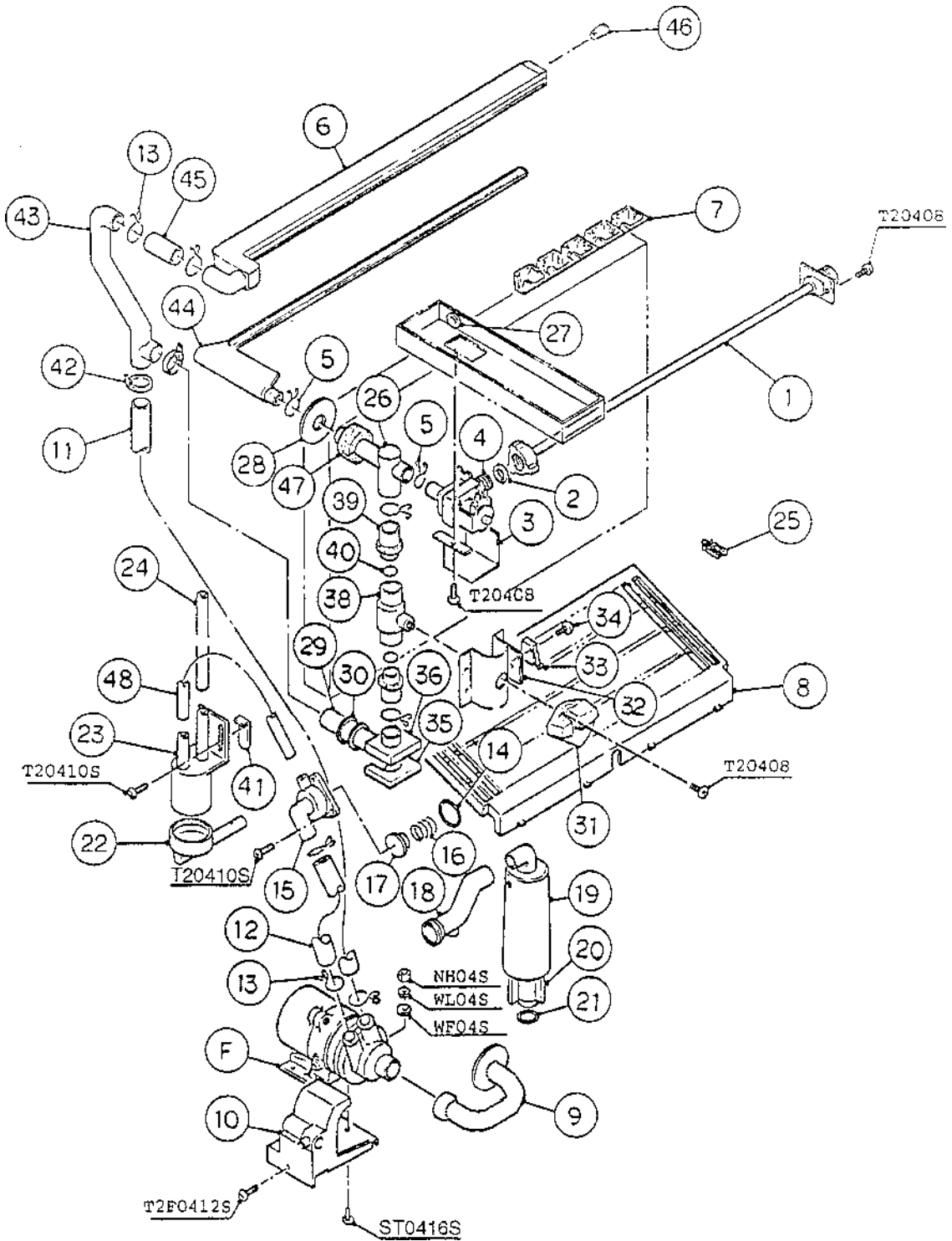
HA

KM-280MWE

WATER CIRCUIT

F-1, G-0, G-1, G-2, H-0





HA

MODEL: KM-280MWE TITLE: C. WATER CIRCUIT												
INDEX NO.	DESCRIPTION	MATERIAL OR MODEL NUMBER	PART NUMBER	REQUIRED NUMBER								
				F-0	G-0	G-2	H-0	H-1	H-2	J-0		
F	PUMP MOTOR ASSEMBLY	HS-057	3A0505A01	1	1	1	1	-				
		HS-0127	3A1092A01					1	1	1		
1	WATER SUPPLY PIPE	COPPER	4A0768G04	1	1	1	1	1	1	1		
2	RUBBER GASKET	NR	413854-03	1	1	1	1	1	1	1		
3	WATER VALVE BRACKET	GS	321443-01	1	1	1	1	1	1	1		
4	WATER VALVE	J248-647	3U0150-01	1	1	1	1	1	1	1		
5	HOSE CLAMP	SS, 18MM	427443-05	1								
				2	2	2	2	2	2	2		
6	SPRAY TUBE	PE	1A0133-01	1	1	1	1	-				
		-	1A0222-01					1	1	1		
7	SPRAY GUIDE (A)	PE	208586-01	3	3	3	3	3	3	3		
8	CUBE GUIDE	ABS	212088-01	1	1	1	1	1	1	1		
9	SUCTION HOSE	EPDM	433466-01	1	1	1	1	-				
		-	4A1380-01					1	1	1		
10	PUMP MOTOR BRACKET	PC	211408-01	1	1	1	1	1	1	1		
11	VINYL HOSE	L=430	7716-2025	1	1	1	1	1	1	1		
12	VINYL HOSE	L=110	7716-2025	1	1	1	1	1	1	1		
13	HOSE CLAMP	SS, 25MM	427443-03	9	9	9	9	9	9	9		
14	"O" RING	1AG35	7611-G035	1	1	1	1	1	1	1		
15	VALVE HOUSING - DRAIN	ABS	321001-01	1	1	1	1	1	1	1		
16	SPRING	SS	3A0522-01	1	1	1	1	-				
		SS	3A1091-01					1	1	1		
17	VALVE SHEET	EPDM	433705-01	1	1	1	1	1	1	1		
18	DRAIN HOSE	EPDM	433468-01	X1								
		SANTOPRENE	433468-01	01	1	1	1	1	1	1		
19	OVERFLOW CAP	PE	321002-01	1	1	1	1	1	1	1		

MODEL: KM-280MWE TITLE: C. WATER CIRCUIT												
INDEX NO.	DESCRIPTION	MATERIAL OR MODEL NUMBER	PART NUMBER	REQUIRED NUMBER								
				F-0	G-0	G-2	H-0	H-1	H-2	J-0		
20	OVERFLOW PIPE	ABS	430722-04	1	1	1	1	-				
		-	430722-05					1	1	1		
21	"O" RING	1AP32	7611-P032	1	1	X1						
		-	4A1234-01			01	1	1	1	1		
22	CONNECTOR - FLOAT SWITCH	EPDM	426799-01	1	1	1	1	1	1	1		
23	FLOAT SWITCH	FS-0893B-1	433535-02	X1								
		163795	4A0886-01	01	1	1	1	1	1	1		
24	VINYL HOSE	L=140	7716-0913	2	2	2	X2					
	SILICONE HOSE	L=140	7730I3812				02	1	1	1		
25	WIRE SADDLE	VWS4238-C	4A0338-02	4	4	4	4	4	4	4		
26	TEE	EPDM	4A0177-01	1	X1							
		SANTOPRENE	4A0177-01		01	1	1	1	1	1	1	
27	BUSHING	OCB-750	428394-01	2	2	2	2	2	2	2		
28	FLANGE	EPDM	439267-01	1	1	1	1	1	1	1		
29	HOSE (B)	EPDM	436599-02	1	1	1	1	1	1	1		
30	RUBBER RING	TSE2571-5U	439236-01	X1								
		EPDM	439236-01	01	1	1	1	1	1	1	1	
31	HANDLE	JH1352	215383-01	1	1	1	1	1	1	1		
32	VALVE HOLDER	GS	325825-01	1	1	1	1	1	X1			
		GS	3A1178-01							01	1	
33	MICRO SWITCH	V3L-111-08	4A0365-01	1	1	1	1	1	1	1		
34	TAPPING SCREW	3X14	431415-02	2	2	2	2	2	2	2		
35	CORNER INSULATION (A)	PE FOAM	439376-01	1	1	1	1	1	1	1		
36	CORNER INSULATION (B)	PE FOAM	439392-01	1	1	1	1	1	1	1		
37	HOSE CLAMP	SS 20MM	427443-06	1								
		-		-								
38	BALL VALVE	(S-0761), PVC	439293-01	1	1	1	1	1	1	1		

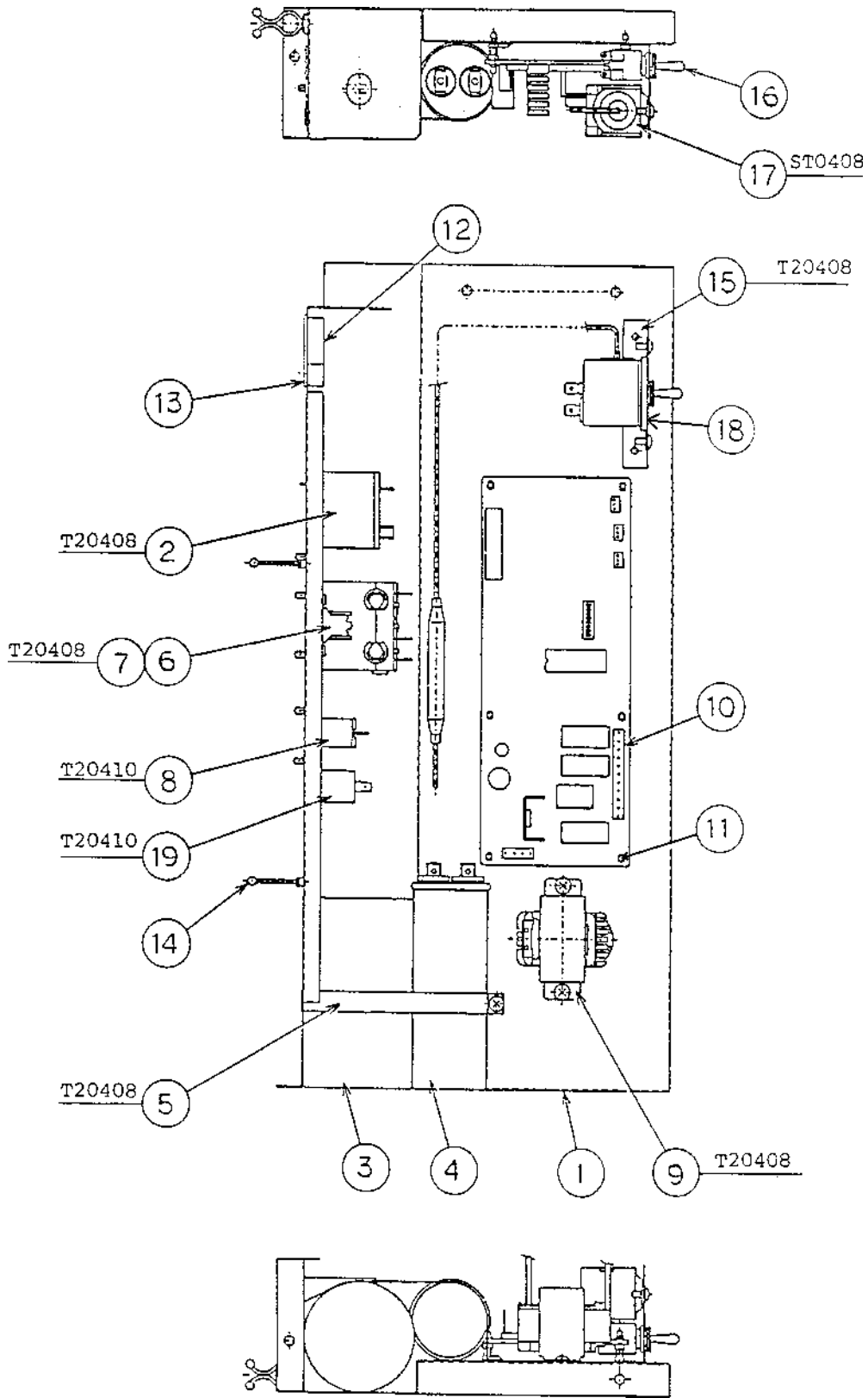
MODEL: KM-280MWE TITLE: C. WATER CIRCUIT												
INDEX NO.	DESCRIPTION	MATERIAL OR MODEL NUMBER	PART NUMBER	REQUIRED NUMBER								
				F-0	G-0	G-2	H-0	H-1	H-2	J-0		
39	MALE ADAPTOR	ABS	325826-01	2	2	2	2	2	2	2		
40	"O" RING	1AP18	7611-P018	2	2	2	2	2	2	2		
41	FLOAT SWITCH STOP	SS	4A0137-01	1	1	1	1	1	1	1		
42	TIE	CV-200	7920-0010	2	2	2	2	2	2	2		
43	CONNECTING PIPE	PE	2A0088-01	1	1	1	1	1	1	1		
44	WATER SUPPLY TUBE	PE	2A0560-01	1	1	1	1	1	1	1		
45	VINYL HOSE	L=50	7716-2025	1	1	1	1	1	1	1		
46	PLUG	EPDM	4A0176-01	1	1	1	1	1	1	1		
47	INSULATION (E)	PE FOAM	4A0392-01	1	1	1	1	1	1	1		
48	SILICONE HOSE	-	7730I3896					1	1	1		

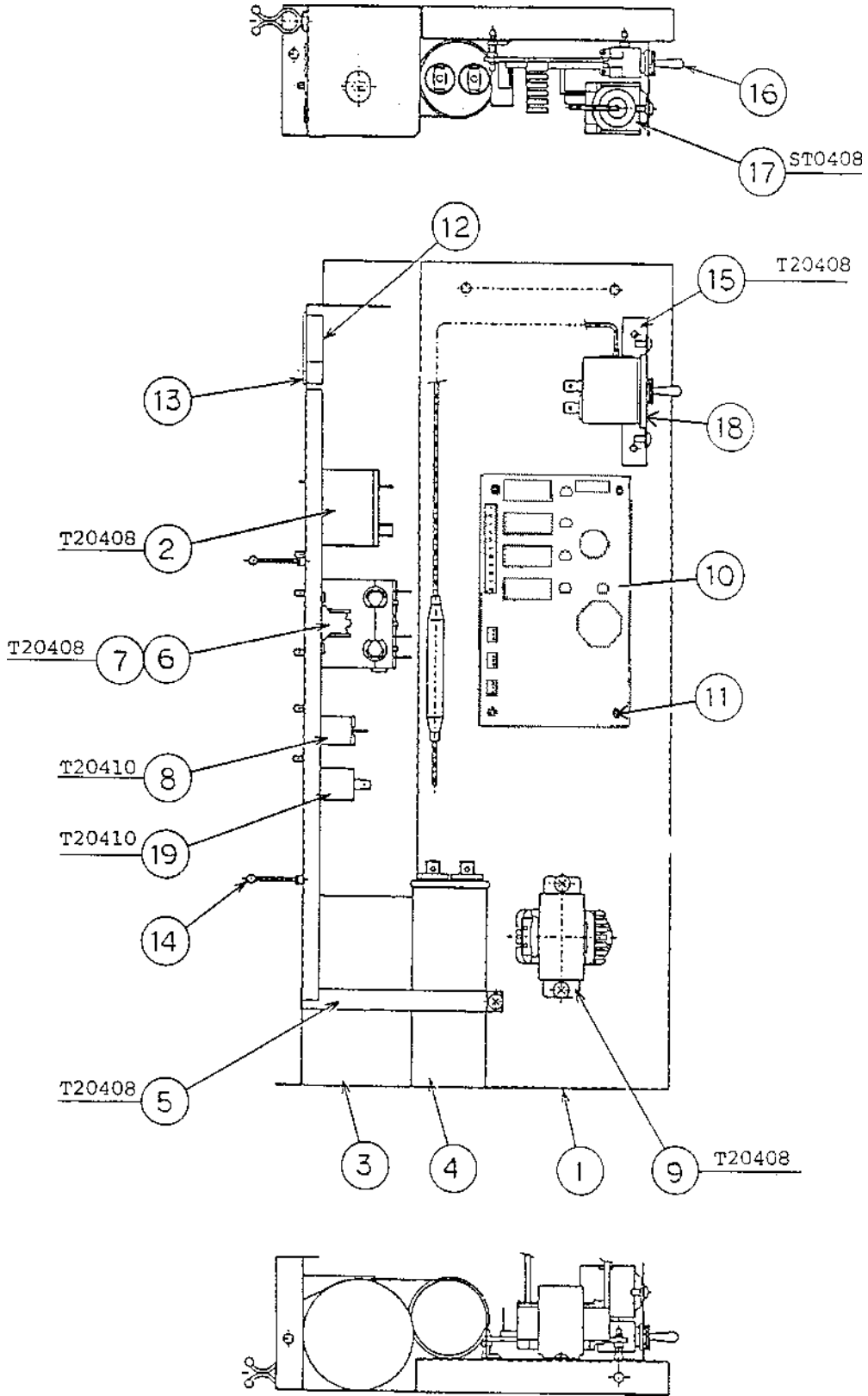
HA

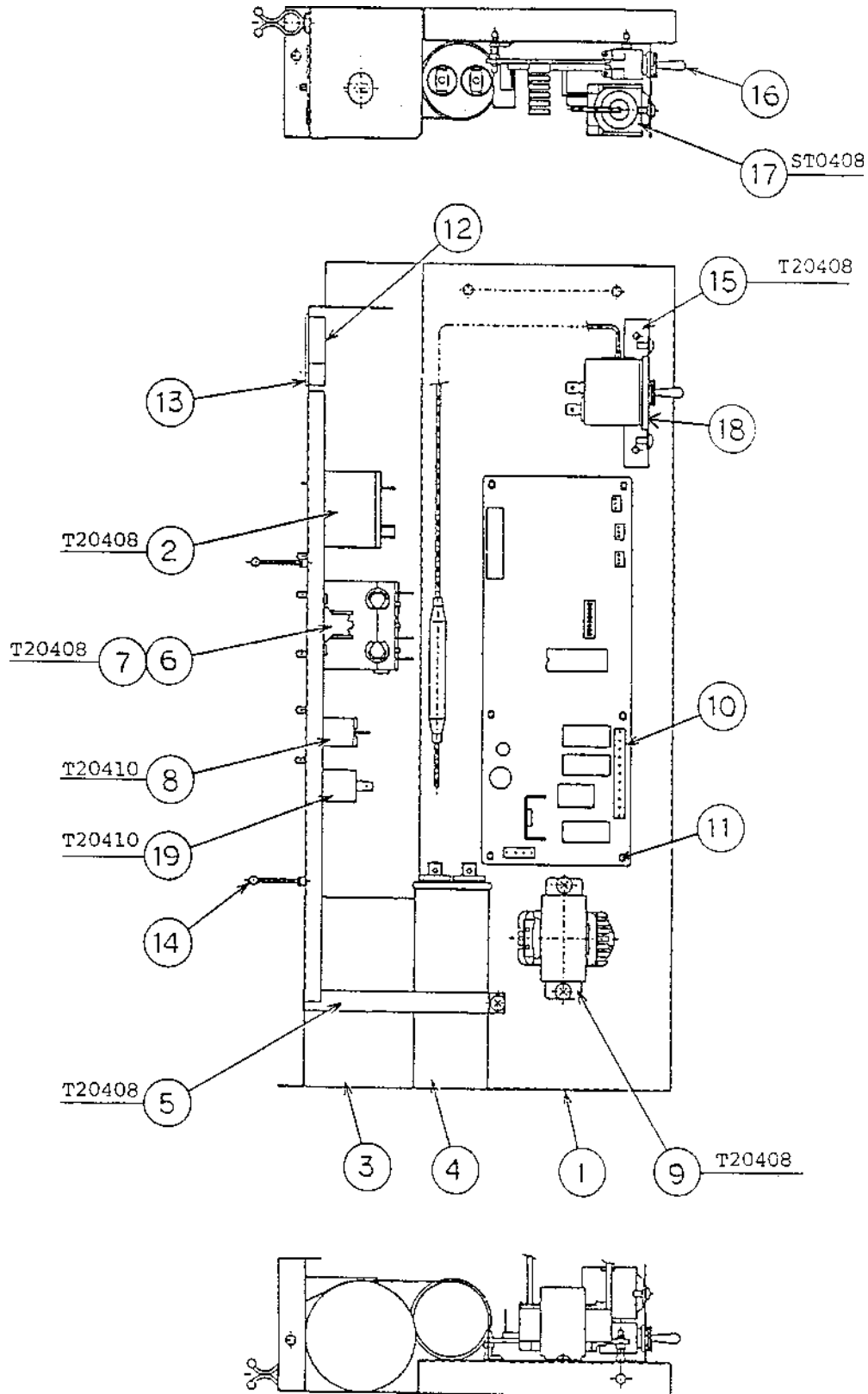
KM-280MAE

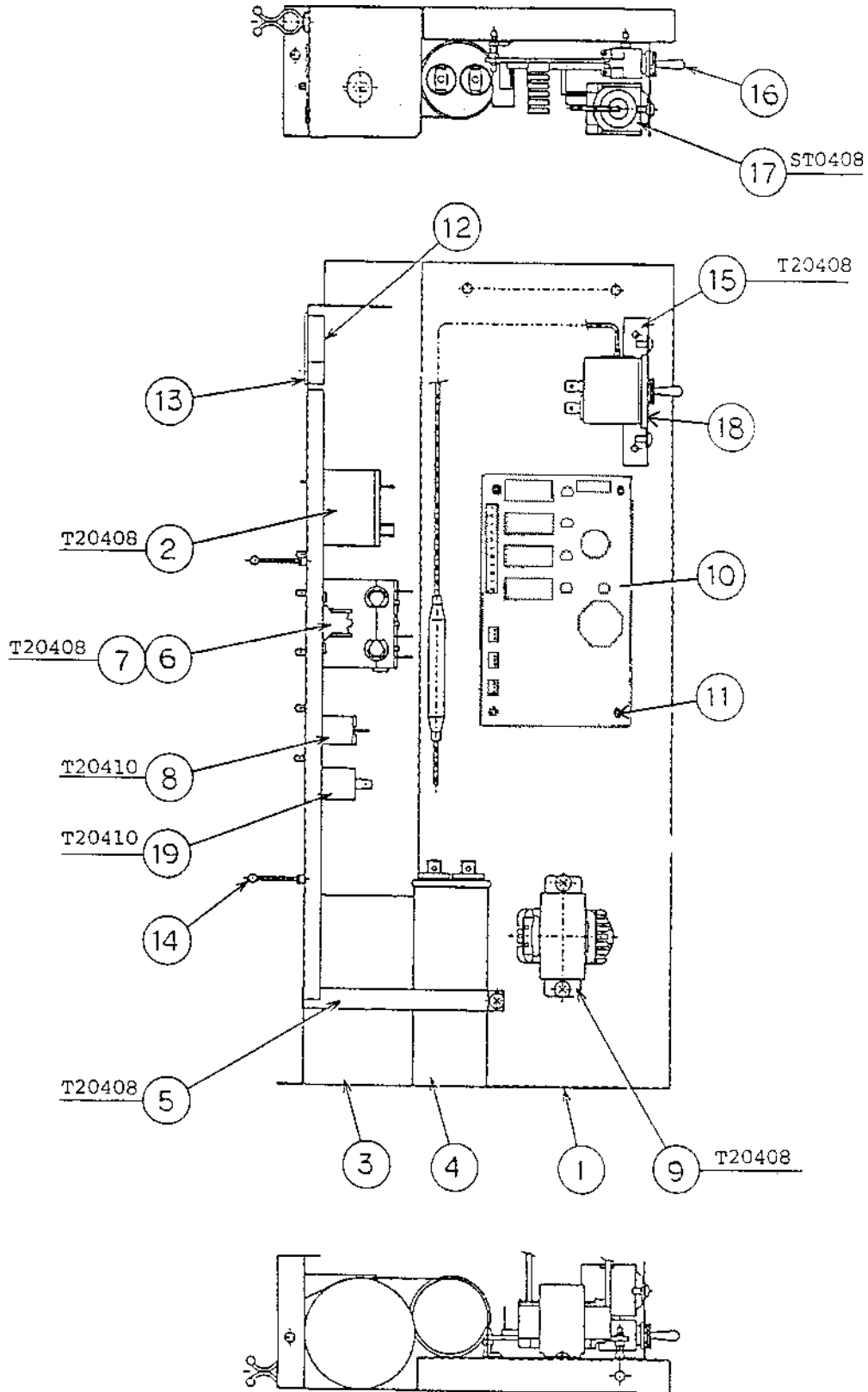
D. CONTROL BOX ASSEMBLY

F-1, G-0, G-1, F-2, H-0

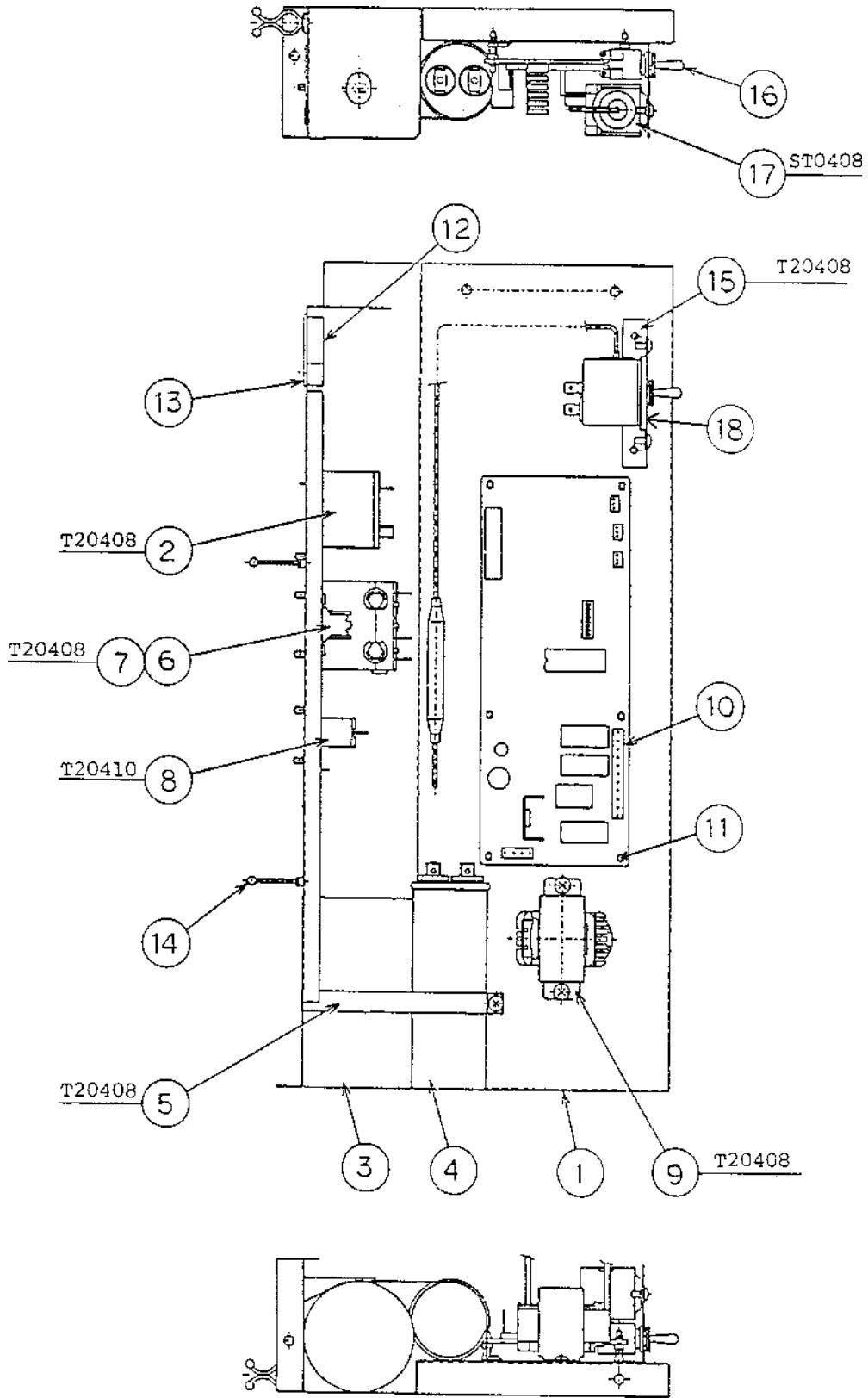


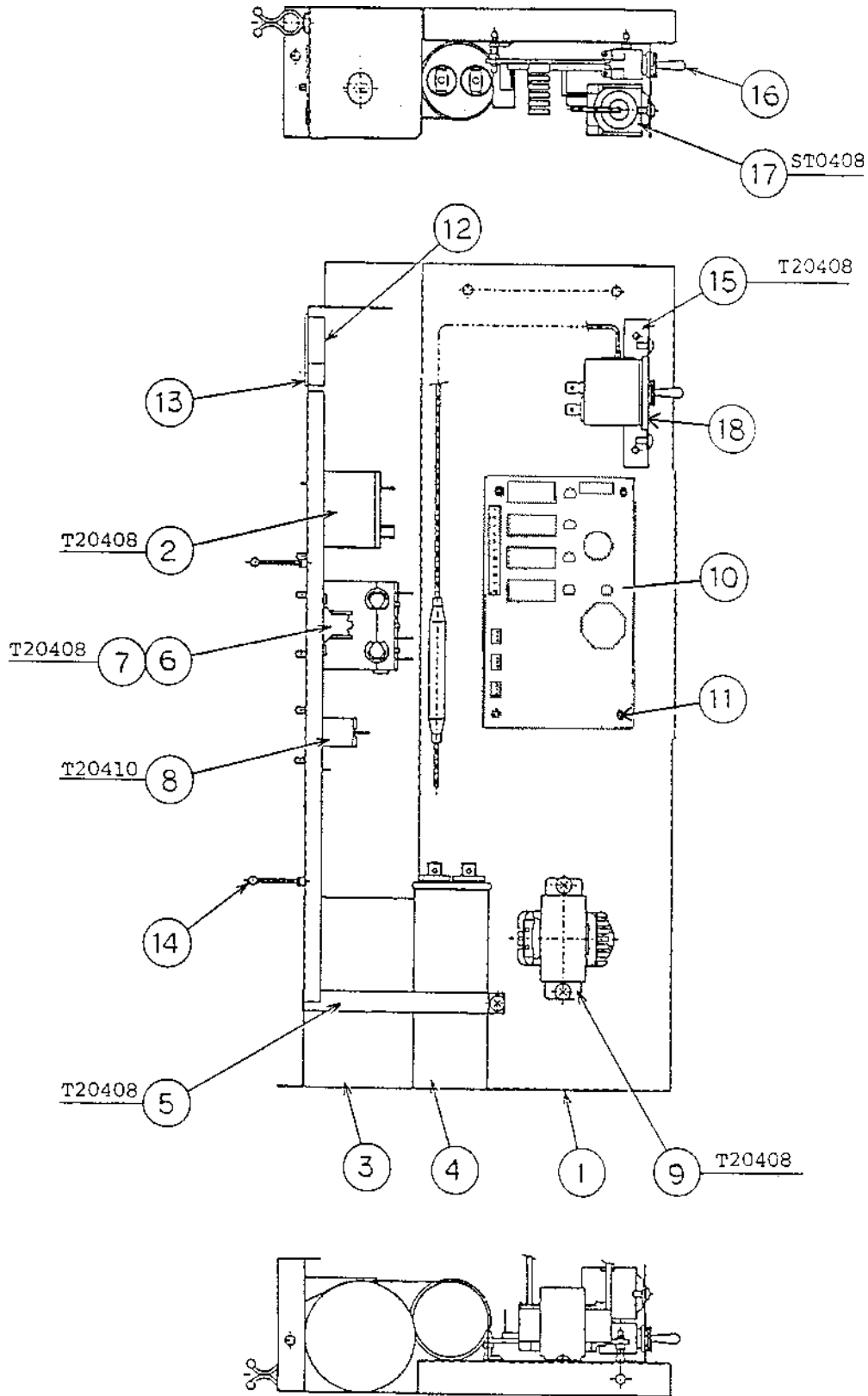




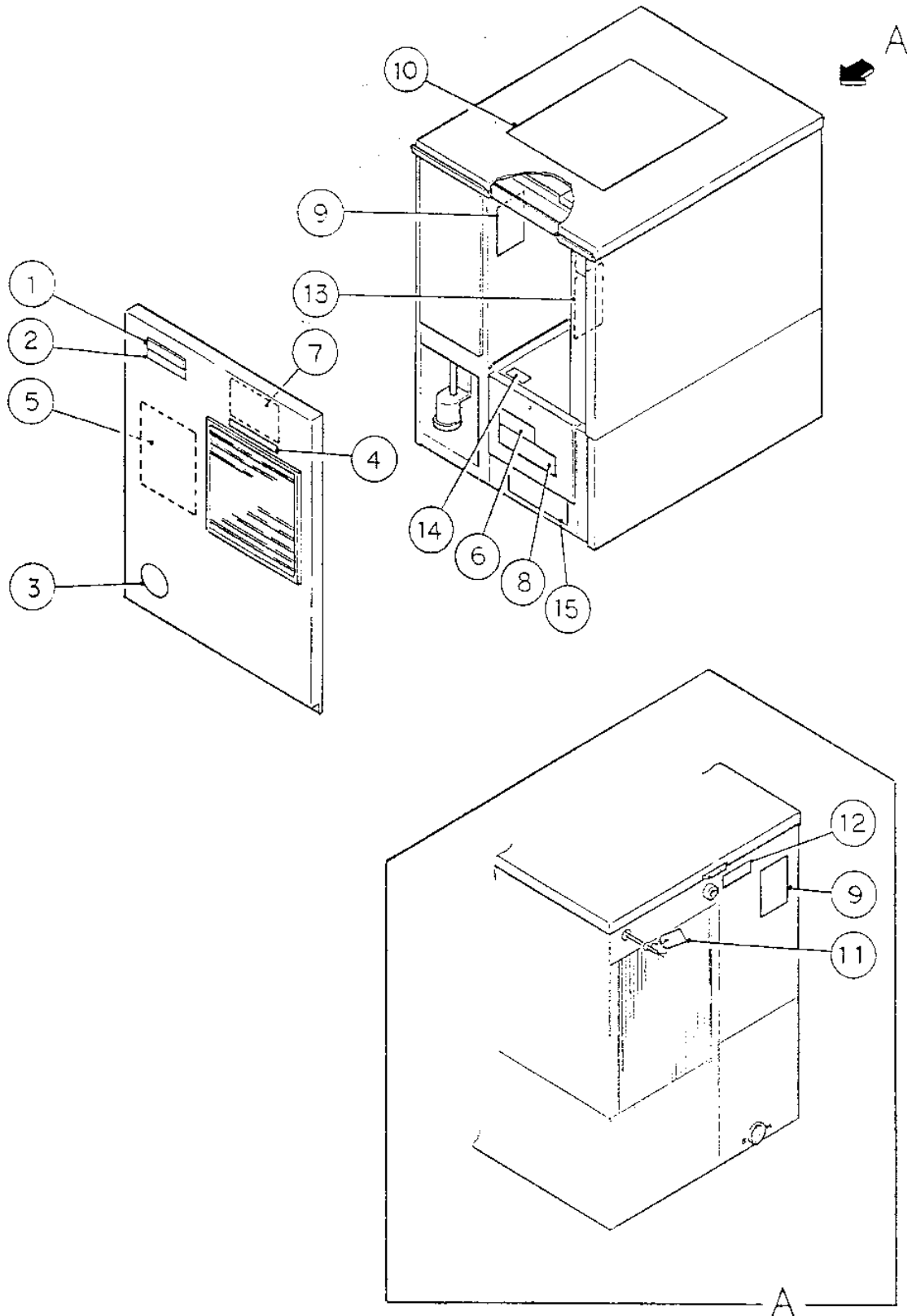


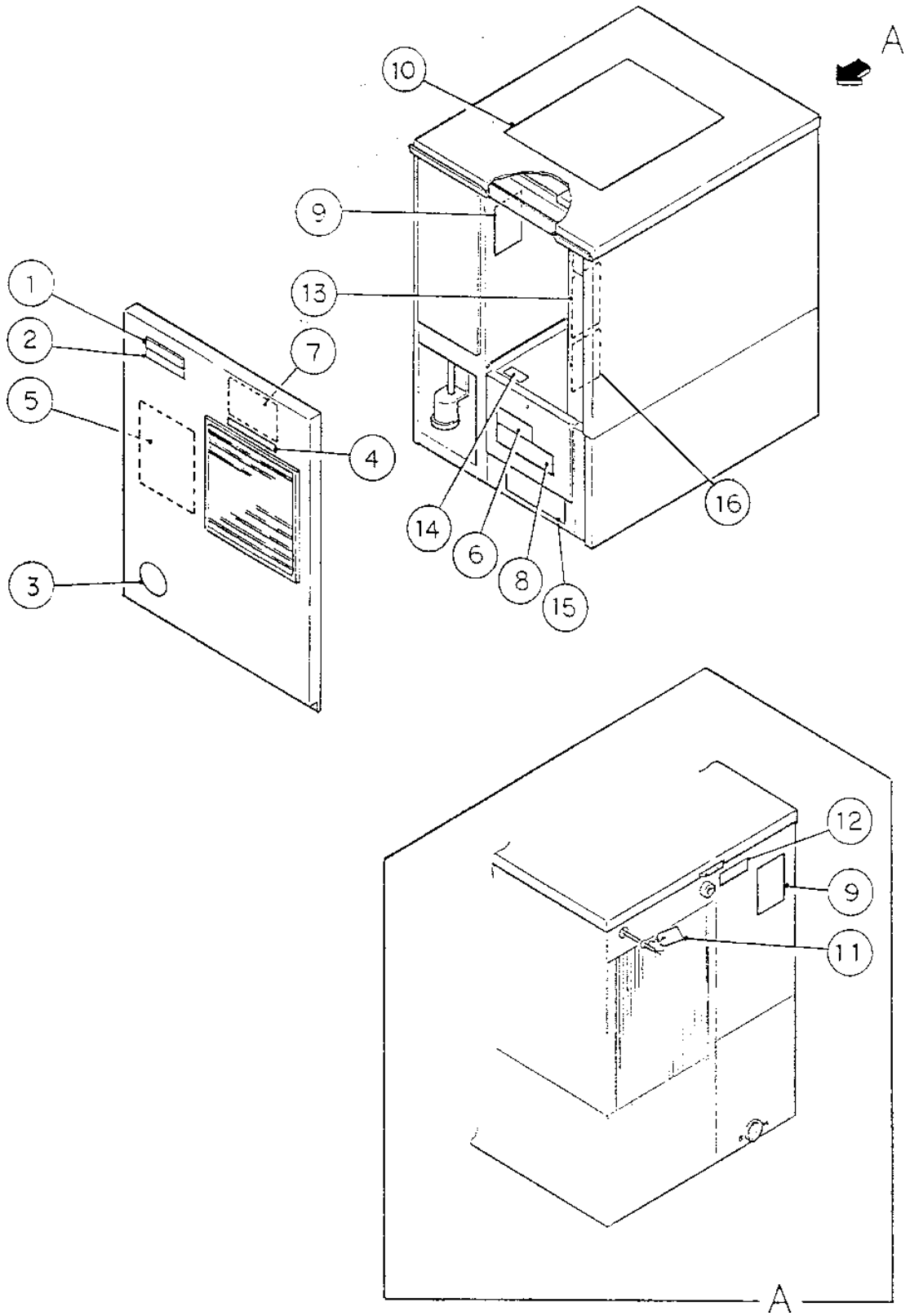
MODEL: KM-280MAE TITLE: D. CONTROL BOX ASSEMBLY												
INDEX NO.	DESCRIPTION	MATERIAL OR MODEL NUMBER	PART NUMBER	REQUIRED NUMBER								
				F-1	G-0	G-1	G-2	H-0	H-1	H-2	H-3	H-4 J-0
1	CONTROL BOX	GS	332464G01	1	1	1	1	1	1	1	1	1
2	STARTER	-	442866-01	1	1	1	1	1	1	1	1	1
3	CAPACITOR – STARTING	270-324 MFD 125v	3A0076-04	1	1	1	1	1	1	1	1	1
4	CAPACITOR	X386S(HG01)	439943-04	1	1	1	1	1	1	1	1	1
5	STRAP	GS	434580-03	1	1	1	1	1	1	1	1	1
6	MAGNETIC CONTACTOR	VC20	428393-01	1	1	1	1	1	1	1	1	1
7	BRACKET	-	428393F01	1	1	1	1	1	1	1	1	1
8	CAPACITOR	5.5MFD 250V	443192-03	1	1	1	1	1	1	1	1	1
9	TRANSFORMER	-	3A0172-01	1	1	1	1	1	1	1	1	1
10	CONTROLLER BOARD	-	2U0127-01	1	1	1	1	1	-			
		-	2A0836-01						1	1	-	
		-	2U0127-01								1	-
		-	2A0836-01									1
11	BOARD SUPPORT	CBLS37-M	4A0336-03	6	6	6	6	6	4	4	6	4
12	BUSHING	SB-1093-15	420470-03	1	1	1	1	1	1	1	1	1
13	BUSHING	OCB-260	428394-02	1	1	1	1	1	1	1	1	1
14	WIRE SADDLE	VWS4238-C	4A0338-02	2	2	2	2	2	2	2	2	2
15	CONTROL BOX (C)	(4A0388A01) GS	446559-01	1	1	1	1	1	1	1	1	1
16	TOGGLE SWITCH	7563K6	443119-01	1	1	1	1	1	1	1	1	1
17	THERMOSTAT	A30-3815-00	4A0824-01	1	1	1	1	1	1	1	1	1
18	CONTROL LABEL	PES FILM	446542-01	1	1	1	1	1	1	1	1	1
19	CAPACITOR (KM-280MAE ONLY)	5MFD, 250V	443192-02	1	1	1	1	1	1	1	1	1

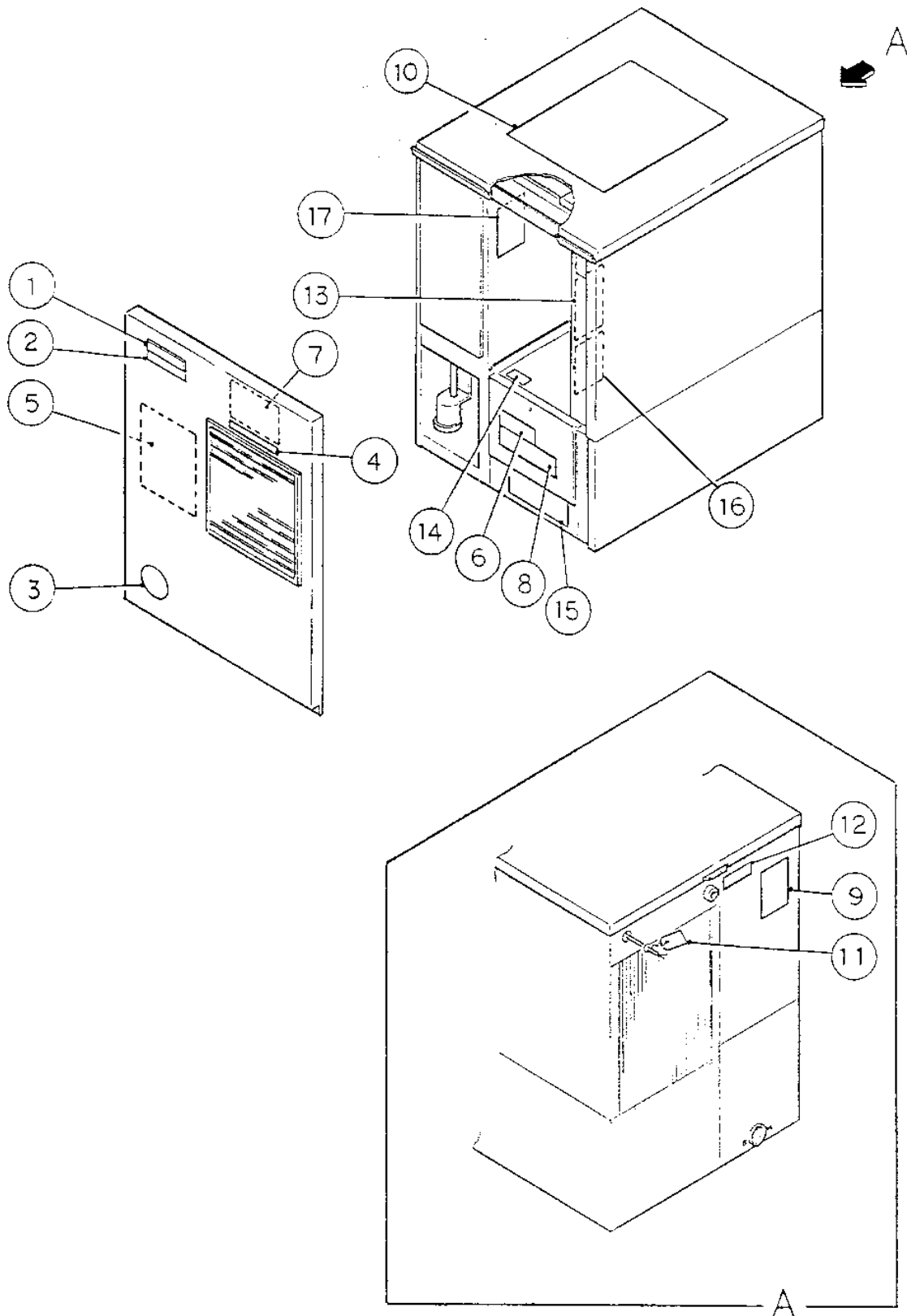


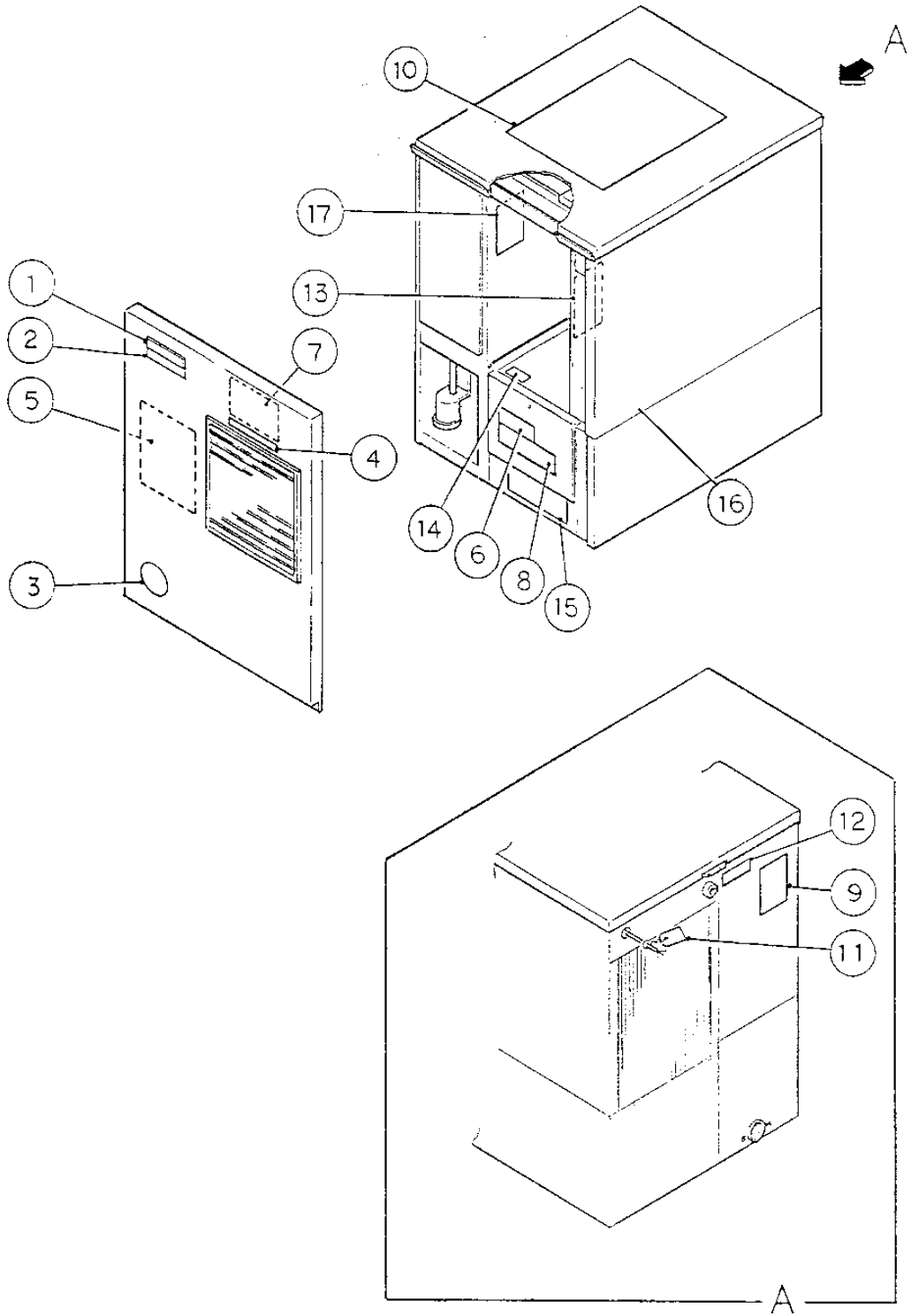


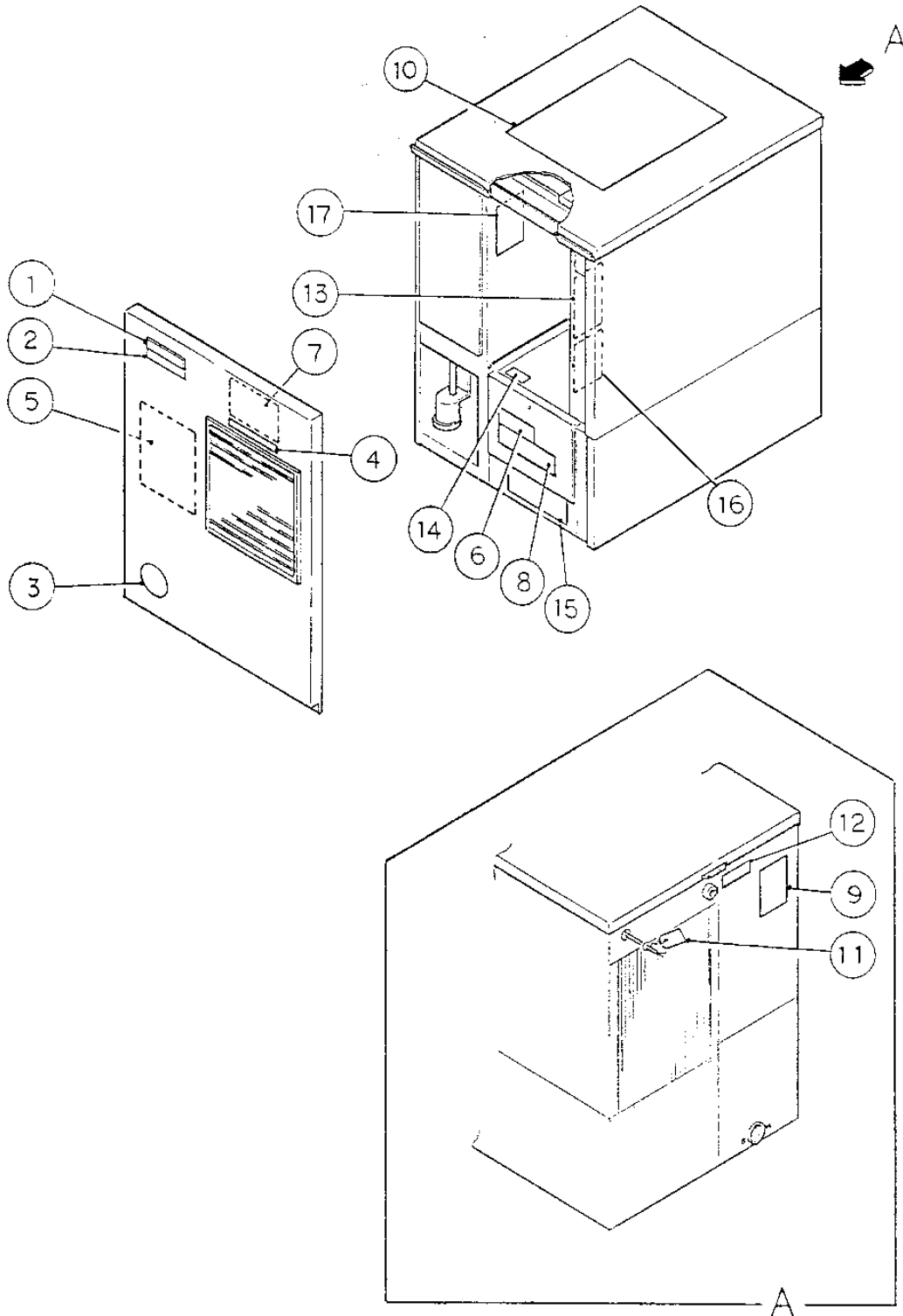
MODEL: KM-280MWE TITLE: D. CONTROL BOX ASSEMBLY												
INDEX NO.	DESCRIPTION	MATERIAL OR MODEL NUMBER	PART NUMBER	REQUIRED NUMBER								
				F-0	G-0	G-2	H-0	H-1	H-2	J-0		
1	CONTROL BOX	GS	332464G01	1	1	1	1	1	1	1		
2	STARTER	-	442866-01	1	1	1	1	1	1	1		
3	CAPACITOR – STARTING	270-324 MFD 125v	3A0076-04	1	1	1	1	1	1	1		
4	CAPACITOR	X386S(HG01)	439943-04	1	1	1	1	1	1	1		
5	STRAP	GS	434580-03	1	1	1	1	1	1	1		
6	MAGNETIC CONTACTOR	VC20	428393-01	1	1	1	1	1	1	1		
7	BRACKET	-	428393F01	1	1	1	1	1	1	1		
8	CAPACITOR	5.5MFD 250V	443192-03	1	1	1	1	1	1	1		
9	TRANSFORMER	-	3A0172-01	1	1	1	1	1	1	1		
10	CONTROLLER BOARD	-	2U0127-01	1	1	1	1	-				
		-	2A0836-01					1	1	1		
11	BOARD SUPPORT	CBLS37-M	4A0336-03	6	6	6	6	4	4	4		
12	BUSHING	SB-1093-15	420470-03	1	1	1	1	1	1	1		
13	BUSHING	OCB-260	428394-02	1	1	1	1	1	1	1		
14	WIRE SADDLE	VWS4238-C	4A0338-02	2	2	2	2	2	2	2		
15	CONTROL BOX (C)	(4A0388A01) GS	446559-01	1	1	1	1	1	1	1		
16	TOGGLE SWITCH	7563K6	443119-01	1	1	1	1	1	1	1		
17	THERMOSTAT	A30-3815-00	4A0824-01	1	1	1	1	1	1	1		
18	CONTROL LABEL	PES FILM	446542-01	1	1	1	1	1	1	1		



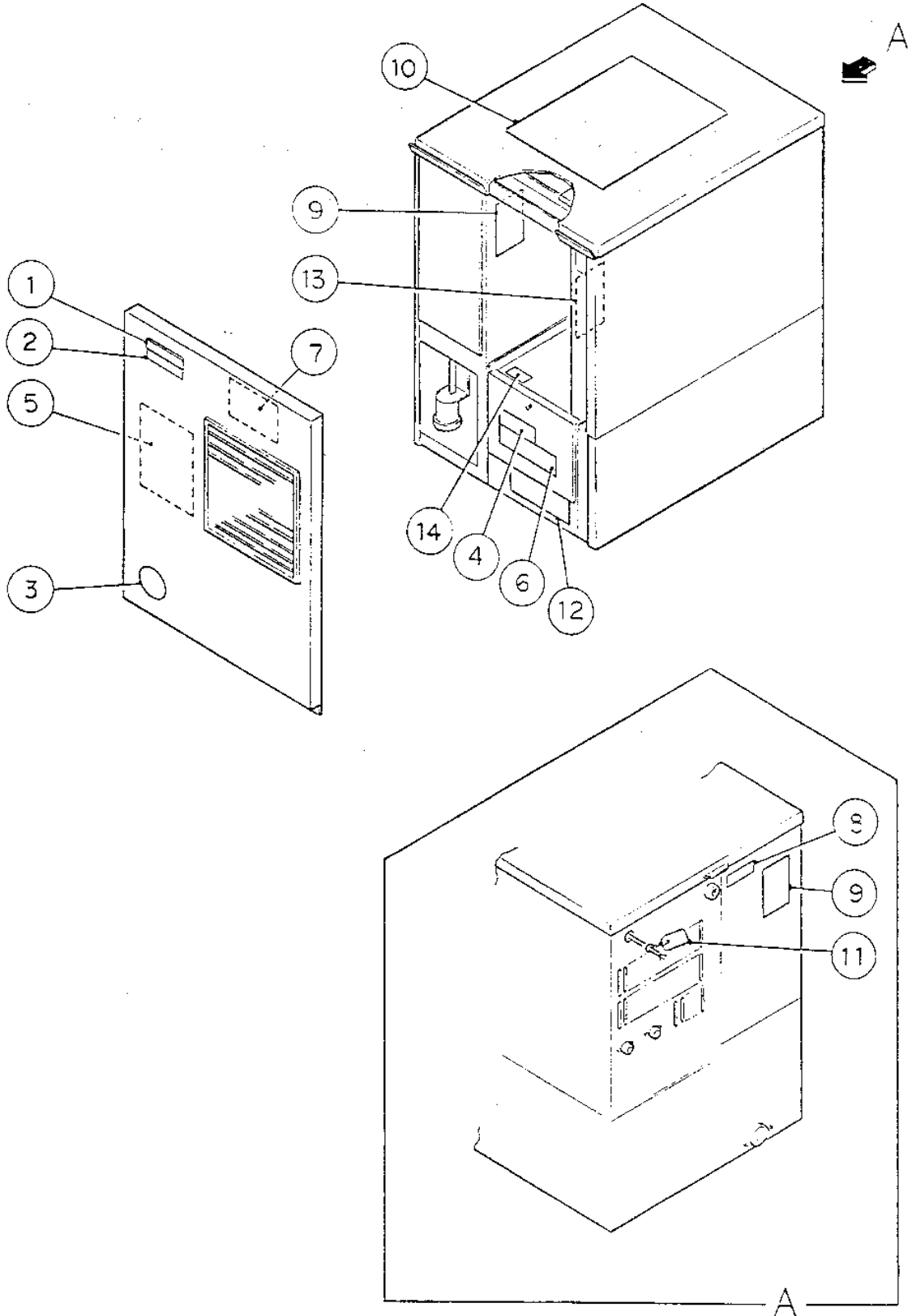


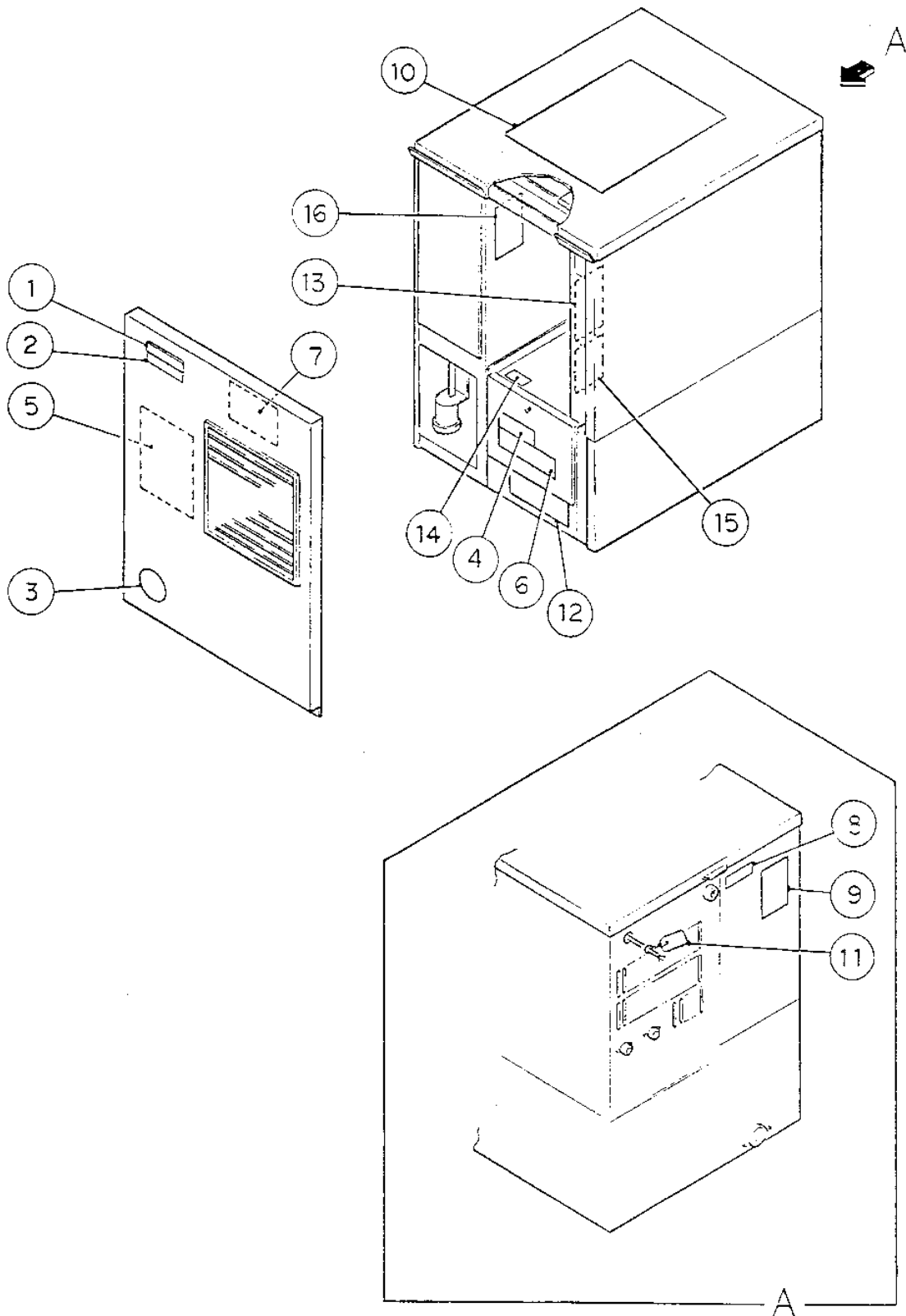






MODEL: KM-280MAE TITLE: E. LABEL LOCATION												
INDEX NO.	DESCRIPTION	MATERIAL OR MODEL NUMBER	PART NUMBER	REQUIRED NUMBER								
				F-1	G-0	G-1	G-2	H-0	H-1	H-2	H-3	H-4 J-0
1	EMBLEM (L) - HOSHIZAKI	ABS	418634G01	X1								
	EMBLEM	PETP FILM	4A0560-01	01	1	1	1	1	1	1	1	1
2	MODEL NUMBER LABEL	PETP FILM	443341-31	1	1	1	1	1	1	1	1	1
3	LABEL – PENGUIN (R)	PETP FILM	410994-01	X1								
	LABEL – PENGUIN – HA (R)	PETP FILM	4A0526-01	01	1	1	1	1	1	1	1	1
4	LABEL – AIR FILTER	PETP FILM	426177-01	1	1	1	1	1	1	1	1	1
5	MAINTENANCE LABEL	PVC FILM	326218-01	1	1	1	1	1	1	1	1	1
6	CAUTION LABEL (F)	PVC FILM	439146-01	1	1	1	1	1	1	1	1	1
7	WIRING LABEL	PVC FILM	326259-01	1	1	1	1	1	1	1	1	1
8	CAUTION LABEL (K)	PVC FILM	439150-01	1	1	1	1	1	1	1	1	1
9	NAMEPLATE	PES FILM	4A0837-01	2	2	2	2	2	2	1	1	1
10	INSTRUCTION SHEET	PAPER	218077-01	1	1	1	1	1	1	1	1	1
11	TAG – WARNING: ELECTRICAL CONNECTION	PAPER	435005-01	1	1	1	1	1	1	1	1	1
12	INSTRUCTION LABEL	PVC FILM	444575-01	1	1	1	1	1	1	1	1	1
13	MANUAL LABEL	PVC FILM	446564-01	1	1	1	1	1	1	1	1	1
14	LABEL – R22	PES FILM	440362-01	1	1	1	1	1	1	1	1	1
15	OPERATION LABEL – VALVE	PVC FILM	439541-01	1	1	1	1	1	1	1	1	1
16	LABEL – CONTROL BOARD	PVC FILM	3A0998-01						1	1	-	1
17	RATING LABEL	PES FILM	4A1597-01							1	1	1





HA

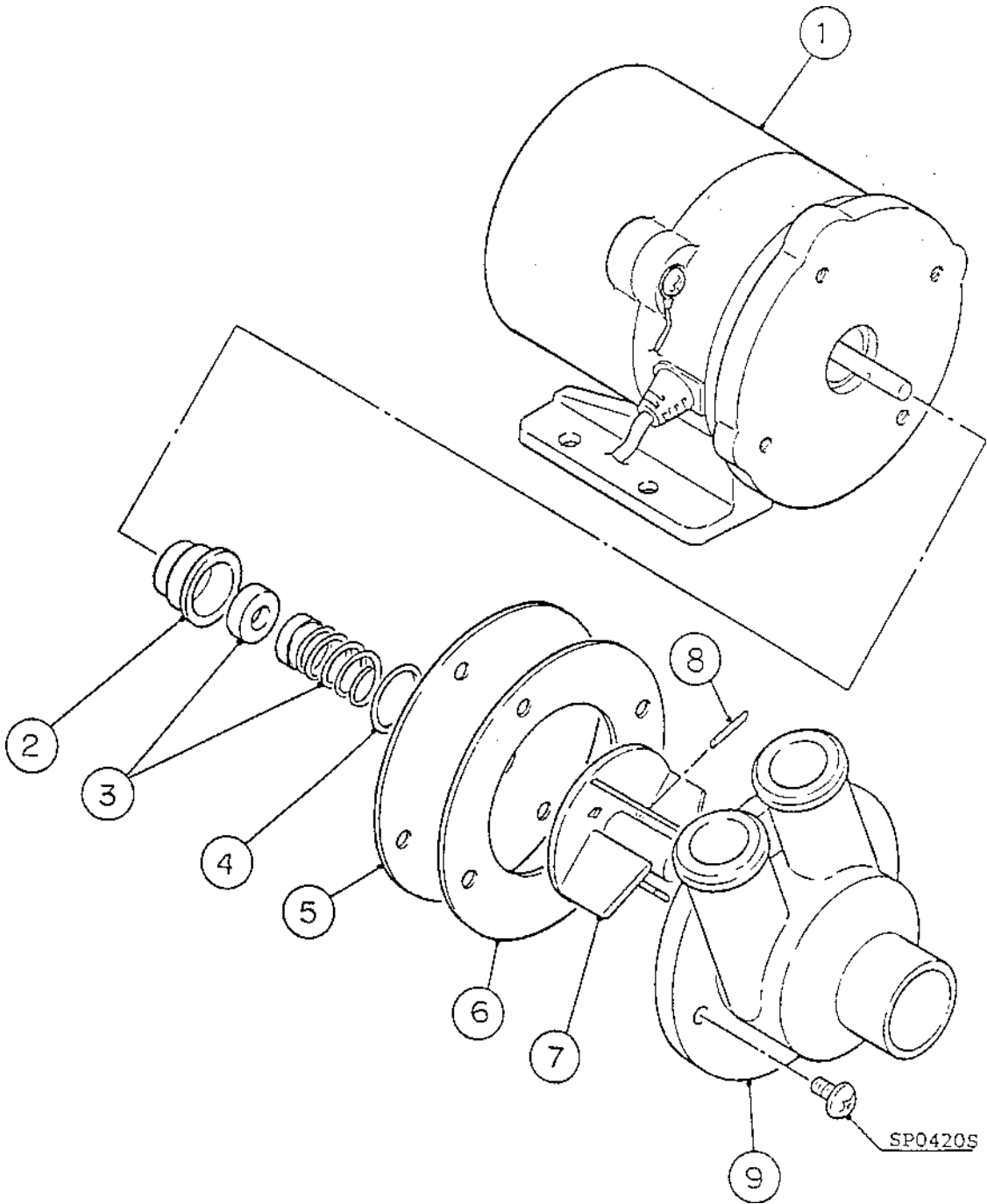
MODEL: KM-280MWE TITLE: E. LABEL LOCATION												
INDEX NO.	DESCRIPTION	MATERIAL OR MODEL NUMBER	PART NUMBER	REQUIRED NUMBER								
				F-0	G-0	G-2	H-0	H-1	H-2	J-0		
1	EMBLEM (L) - HOSHIZAKI	ABS	418634G01	X1								
	EMBLEM	PETP FILM	4A0560-01	01	1	1	1	1	1	1		
2	MODEL NUMBER LABEL	PETP FILM	443341-32	1	1	1	1	1	1	1		
3	LABEL – PENGUIN (R)	PETP FILM	410994-01	X1								
	LABEL – PENGUIN – HA (R)	PETP FILM	4A0526-01	01	1	1	1	1	1	1		
4	CAUTION LABEL (F)	PVC FILM	439146-01	1	1	1	1	1	1	1		
5	MAINTENANCE LABEL	PVC FILM	326218-01	1	1	1	1	1	1	1		
6	CAUTION LABEL (K)	PVC FILM	439150-01	1	1	1	1	1	1	1		
7	WIRING LABEL	PVC FILM	326259-01	1	1	1	1	1	1	1		
8	INSTRUCTION LABEL	PVC FILM	444575-01	1	1	1	1	1	1	1		
9	NAMEPLATE	PES FILM	4A0838-01	2	2	2	2	1	1	1		
10	INSTRUCTION SHEET	PAPER	218077-01	1	1	1	1	1	1	1		
11	TAG – WARNING: ELECTRICAL CONNECTION	PAPER	435005-01	1	1	1	1	1	1	1		
12	OPERATION LABEL – VALVE	PVC FILM	439541-01	1	1	1	1	1	1	1		
13	MANUAL LABEL	PVC FILM	446564-01	1	1	1	1	1	1	1		
14	LABEL – R22	PES FILM	440362-01	1	1	1	1	1	1	1		
15	LABEL – CONTROL BOARD	PVC FILM	3A0998-01					1	1	1		
16	RATING LABEL	PES FILM	4A1596-01					1	1	1		

HA

KM-280MAE, MWE

F. PUMP MOTOR ASSEMBLY

F-0, F-1, G-0, G-1, G-2, H-0, H-1

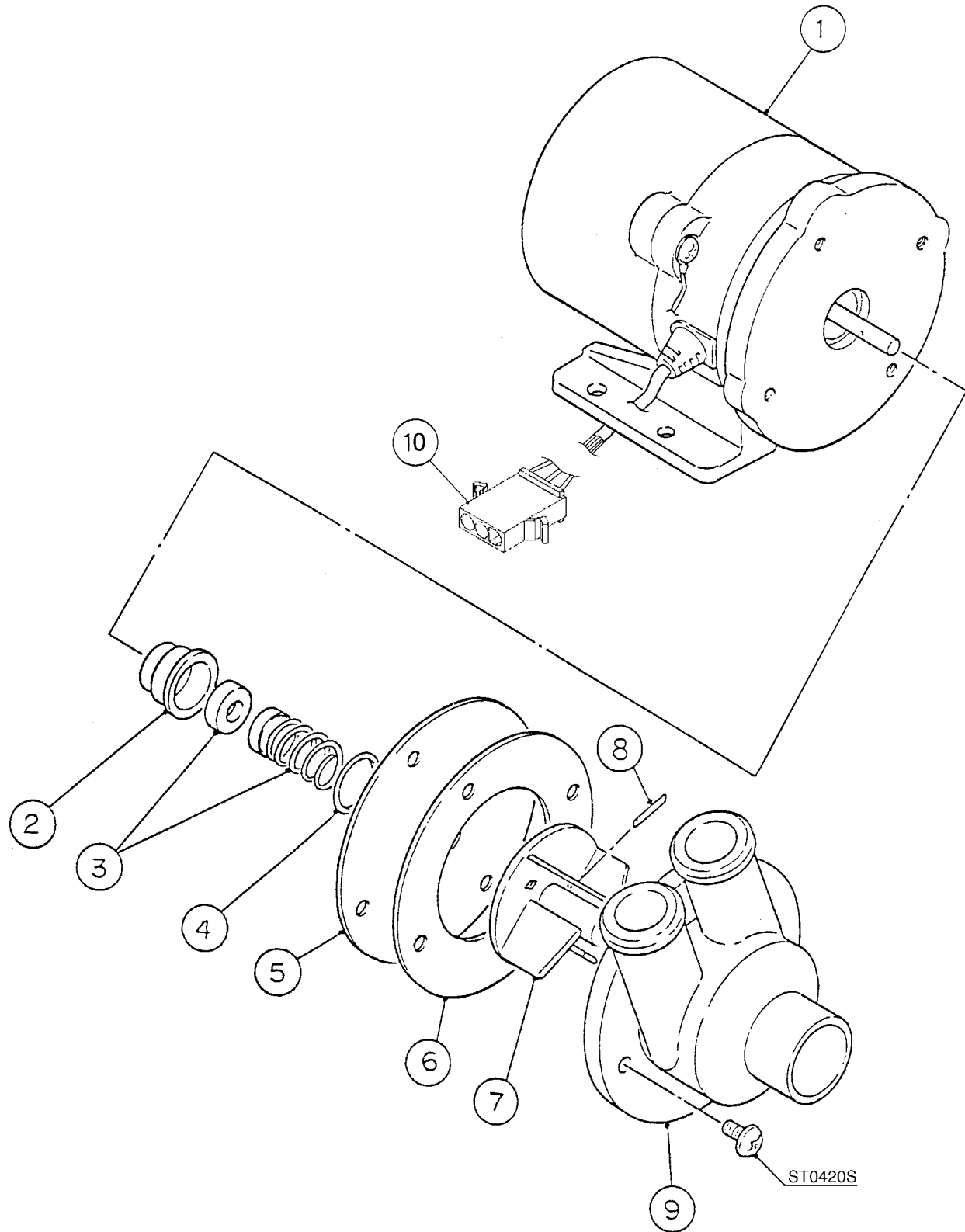


HA

KM-280MAE, MWE

F. PUMP MOTOR ASSEMBLY

H-2, H-3, H-4, J-0



MODEL: KM-280MAE TITLE: F. PUMP MOTOR ASSEMBLY												
INDEX NO.	DESCRIPTION	MATERIAL OR MODEL NUMBER	PART NUMBER	REQUIRED NUMBER								
				F-1	G-0	G-1	G-2	H-0	H-1	H-2	H-3	H-4 J-0
1	PUMP MOTOR	AP-TA4(H) 120V	2U0095-01	1	1	1	1	1	1	1	1	1
2	RETAINER	SS	418584-01	1	1	1	1	1	1	1	1	1
3	MECHANICAL SEAL (B)	H5-PS9, 5	415817-01	1	1	1	1	1	1	1	1	1
4	"O" RING	1AP18	7611-P018	1	1	1	1	1	1	1	1	1
5	PLATE – PUMP	SS	403013-01	1	1	1	1	1	1	1	1	1
6	PUMP GASKET	NR	403014-01	1	1	1	1	1	1	1	1	1
7	IMPELLER	ABS	433522-01	1	1	1	1	1	1	-		
		-	3A0990-01							1	1	1
8	PIN	SS	4A0648-01	1	1	1	1	1	1	-		
		SS	414102-01							1	1	1
9	PUMP HOUSING	ABS	3A0509G01	1	1	1	1	1	1	-		
		-	3A0989-01							1	1	1
10	PLUG HOUSING		412832-06							1	1	1

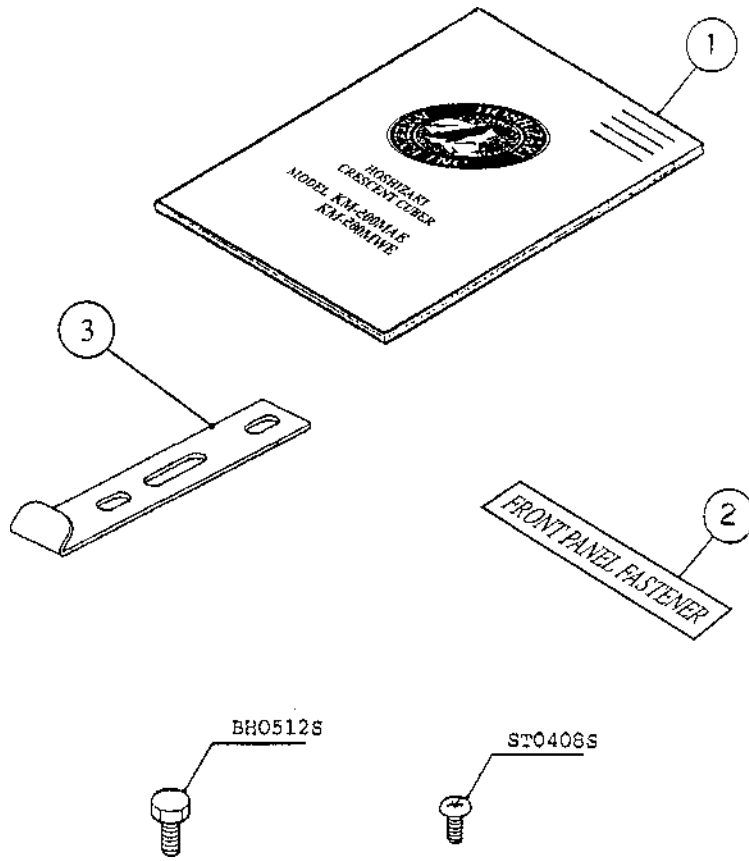
MODEL: KM-280MWE TITLE: F. PUMP MOTOR ASSEMBLY												
INDEX NO.	DESCRIPTION	MATERIAL OR MODEL NUMBER	PART NUMBER	REQUIRED NUMBER								
				F-0	G-0	G-2	H-0	H-1	H-2	J-0		
1	PUMP MOTOR	AP-TA4(H) 120V	2U0095-01	1	1	1	1	1	1	1		
2	RETAINER	SS	418584-01	1	1	1	1	1	1	1		
3	MECHANICAL SEAL (B)	H5-PS9, 5	415817-01	1	1	1	1	1	1	1		
4	"O" RING	1AP18	7611-P018	1	1	1	1	1	1	1		
5	PLATE – PUMP	SS	403013-01	1	1	1	1	1	1	1		
6	PUMP GASKET	NR	403014-01	1	1	1	1	1	1	1		
7	IMPELLER	ABS	433522-01	1	1	1	1	1	-			
		-	3A0990-01						1	1		
8	PIN	SS	4A0648-01	1	1	1	1	1	-			
		SS	414102-01						1	1		
9	PUMP HOUSING	ABS	3A0509G01	1	1	1	1	1	-			
		-	3A0989-01						1	1		
10	PLUG HOUSING	-	412832-06						1	1		

HA

KM-280MAE, MWE

G. ACCESSORIES

F-0, F-1, G-0, G-1, G-2, H-0,
H-1, H-2, H-3, H-4, J-0



MODEL: KM-280MAE, MWE TITLE: G. ACCESSORIES													
INDEX NO.	DESCRIPTION	MATERIAL OR MODEL NUMBER	PART NUMBER	REQUIRED NUMBER									
				F-0	G-0	G-2	H-0	H-1	H-3	J-0			
				F-1	G-1			H-2	H-4				
1	INSTRUCTION MANUAL	PAPER	91A1NA10A	1	1	1	1	1	1	1			
2	LABEL – FASTENER	PAPER	427122-01	1	1	1	1	1	1	1			
3	UNIVERSAL BRACE	GS	4A0363-01	2	2	2	2	2	2	2			