
NO. 71087

ISSUED: NOV. 29, 1993

REVISED: APRIL 18, 2000



**HOSHIZAKI
MODULAR CRESCENT CUBER**

MODEL

KM-500MAE

KM-500MWE

KM-500MRE

(FINAL) PARTS LIST

KM-500MAE	C-1	Oct., 1993
	D-0	Dec., 1993
	E-0	Dec., 1994
	E-1	April, 1995
	F-0	Jan., 1996
	F-1	Feb., 1996
	G-0	Dec., 1996
	G-1	May, 1997
	H-0	Dec., 1997
	H-1	April, 1998
	H-2	June, 1998
	H-3	Oct., 1998
	H-4	Nov., 1998
	J-0	Dec., 1998

KM-500MWE	C-1	Oct., 1993
	D-0	Jan., 1994
	E-0	Dec., 1994
	E-1	April, 1995
	F-0	Jan., 1996
	G-0	Dec., 1996
	G-1	May, 1997
	H-0	Dec., 1997
	H-1	April, 1998
	H-2	June, 1998
	H-3	Oct., 1998
	H-4	Nov., 1998
	J-0	Dec., 1998

KM-500MRE	C-1	Aug., 1993
	D-0	Dec., 1993
	E-0	Jan., 1995
	E-1	April, 1995
	F-0	Jan., 1996
	G-0	Jan., 1997
	G-1	Sept., 1997
	H-0	Dec., 1997
	H-1	April, 1998
	H-2	June, 1998
	H-3	Oct., 1998
	H-4	Nov., 1998
	J-0	Feb., 1999

MATERIAL ABBREVIATIONS

ALUMINUM

AL = Aluminum

COPPER

CU = Copper

PLASTIC

ABS = Acrylonitrile -butadiene - styrene
 AC = Polyacetal
 EVA = Ethylene vinyl acetate
 PA = Polyamide = Nylon
 PC = Polycarbonate
 PE = Polyethylene
 PES = Polyester
 PETP = Polyethylene terephthalate = Tetlon
 PP = Polypropylene
 PS = Polystyrene
 PTFE = Polytetrafluoroethylene = Teflon
 PUR = Polyurethane
 PVC = Polyvinyl chloride

RUBBER

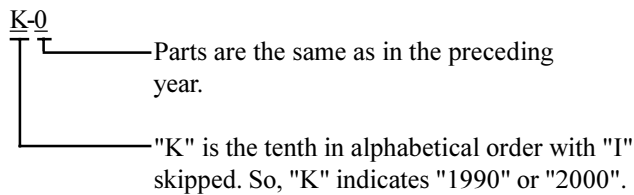
VN = Vinyl Nitrile
 EPDM = EP rubber
 NBR = Nitrile butadiene rubber
 NR = Natural rubber
 NP = Neoprene
 SI.R = Silicone rubber
 SY.R = Synthetic rubber
 EPH = Epichlorohydrin

STEEL

GS = Galvanized steel
 SS = Stainless steel
 PS = Plated steel
 PAS = Primed steel

AUXILIARY CODE

Ex.1

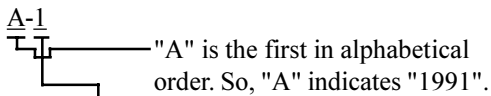


(Note) - = Part deleted.

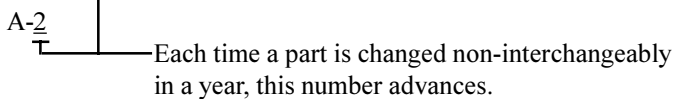
x = Part deleted and replaced by "o" part.

o = New part for "x" in the same auxiliary code.

Ex.2



Ex.3



FASTENER ABBREVIATION LIST

ST	Phillips Truss Machine Screw
SP	Phillips Pan Head Machine Screw
SF	Phillips Flat Head Machine Screw
SS	Phillips Pan Head Machine Screw with Split Lock Washer
SW	Phillips Pan Head Machine Screw with Split Lock Washer and Flat Washer
T1	Phillips Truss Head Tapping Screw (Correspond to Type A)
T2	Phillips Truss Head Tapping Screw (Correspond to Type B)
T3	Phillips Truss Head Tapping Screw (Correspond to Type C)
FT	Phillips Truss Head Tapping Screw (Special)
BH	Hexagon Head Bolt
BC	Socket Head Cap Screw
BS	Hexagon Bolt with Split Washer
BW	Hexagon Bolt with Split Washer and Flat Washer
BF	Hexagon Flange Bolt
BR	Cross-Recessed Hexagon Head Bolt
BRW	Cross-Recessed Hexagon Head Bolt with Split Lock Washer and Flat Washer
WL	Split Lock Washer
WT	External Tooth Washer
WF	Flat Washer
WS	Spring Washer
NH	Hexagon Nut
NF	Hexagon Flange Nut
NC	Hexagon Cap Nut
NS	Square Nut
NW	Wing Nut

Ex. ST0308S (Phillips Truss Head Machine Screw
3x8, made of stainless steel)

Material	None:	Plated Steel
Length (mm)	S:	Stainless Steel
Nominal Diameter (mm)	B:	Brass
Form of Head	P:	Plastic
Description		

(Note) Second character is numerical except toe list.

Ex. S1, S2, B3 etc.

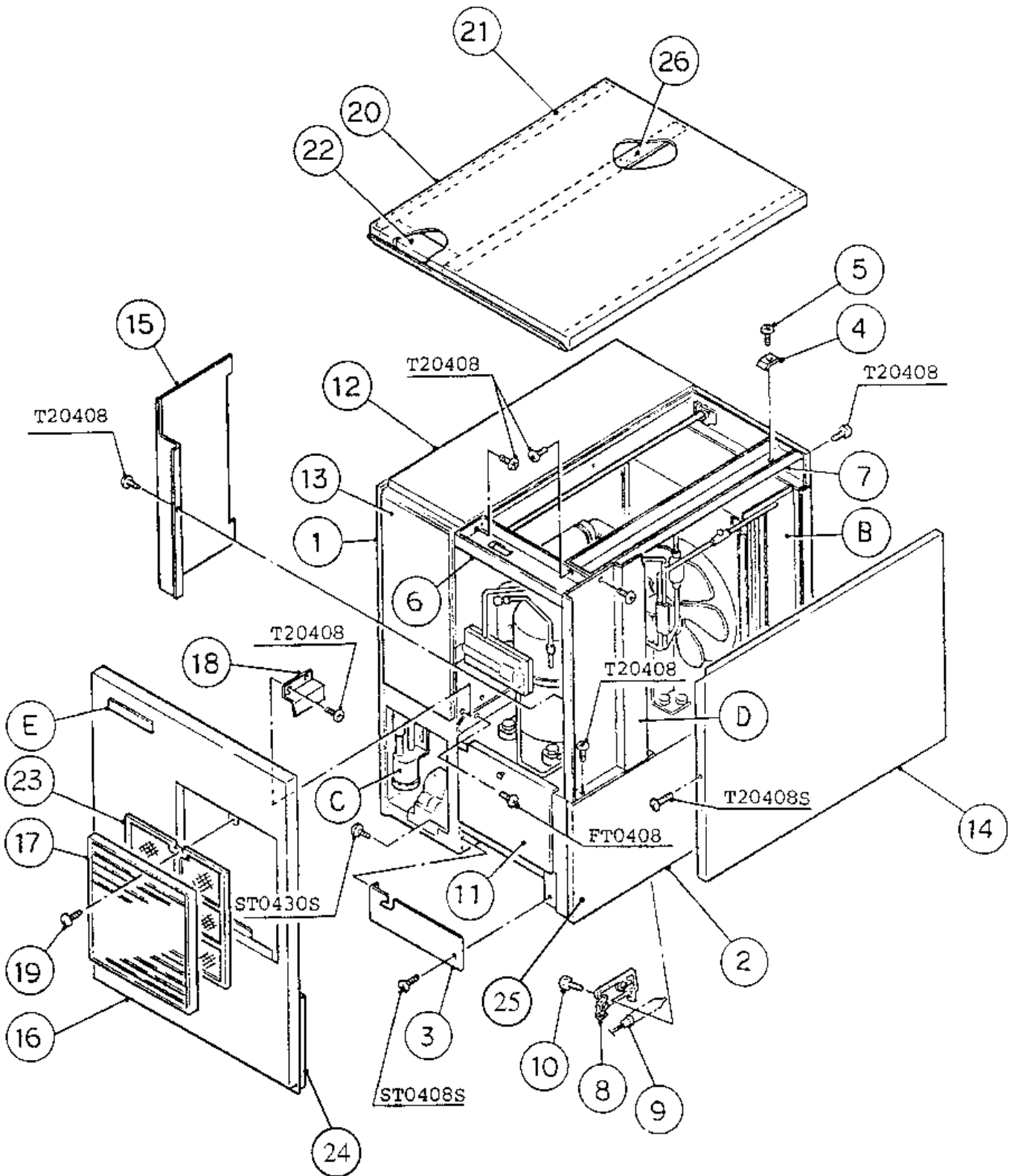
And abbreviations and names are shown under the illustration.

HA

KM-500MAE

A. ICE CUBER ASSEMBLY

C-1, D-0, E-0, E-1, F-0, F-1

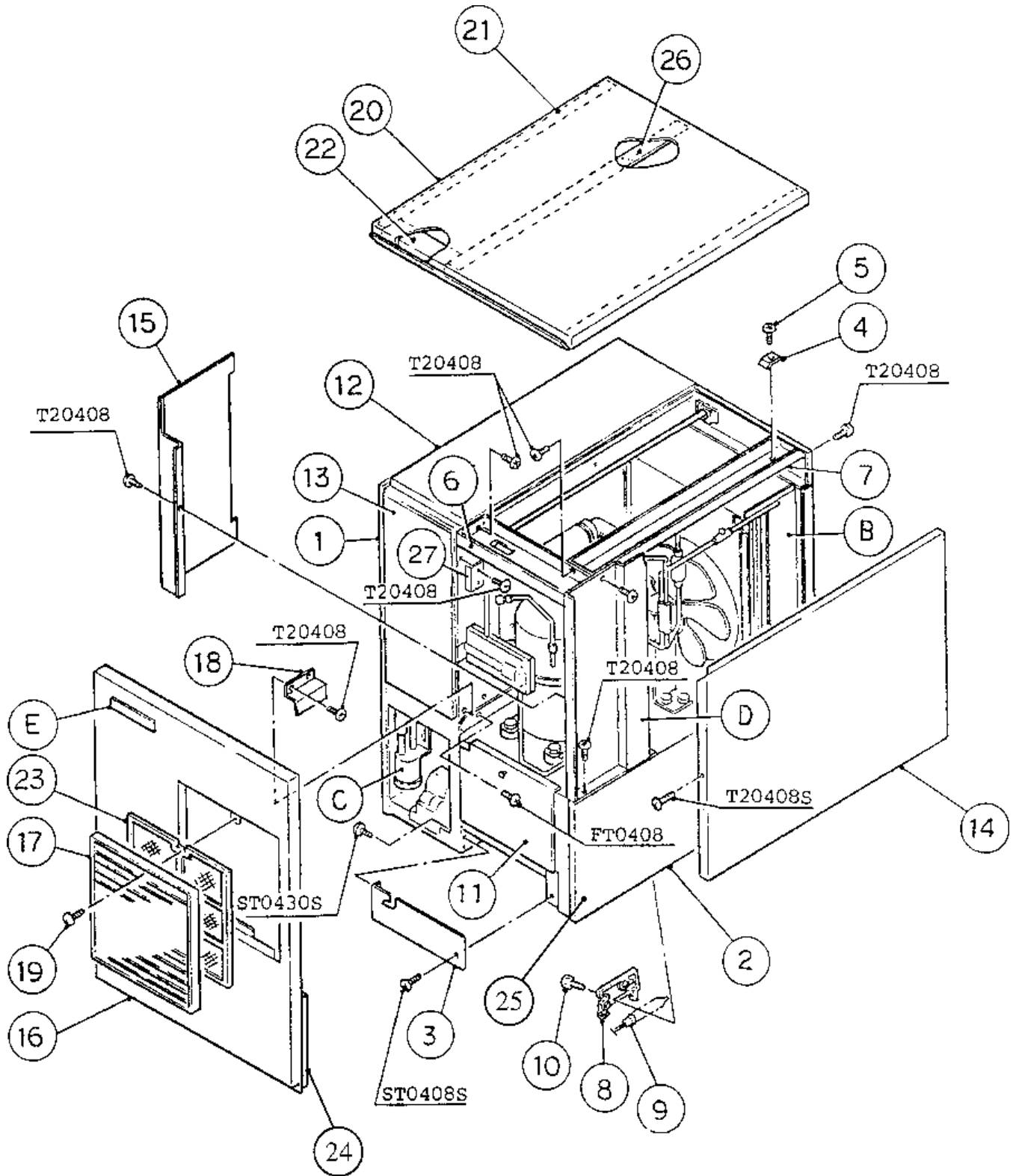


HA

KM-500MAE

A. ICE CUBER ASSEMBLY

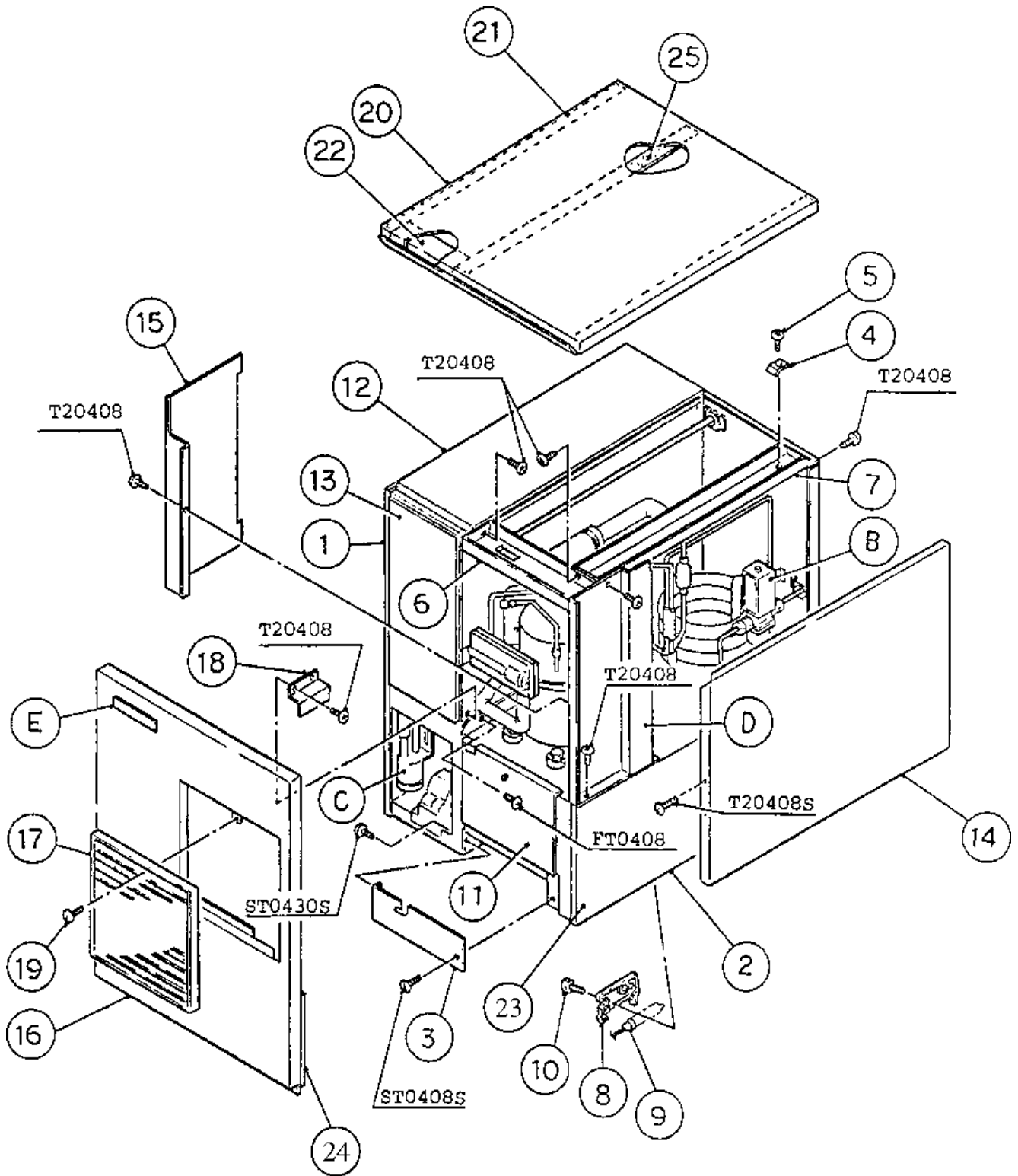
G-0, G-1, H-0, H-1, H-2, H-3, H-4, J-0



HA

MODEL: KM-500MAE TITLE: A. ICE CUBER ASSEMBLY												
INDEX NO.	DESCRIPTION	MATERIAL OR MODEL NUMBER	PART NUMBER	REQUIRED NUMBER								
				C-1	D-0	E-0	E-1	F-0	F-1 G-0 G-1 H-0	H-1 H-2	H-3	H-4 J-0
B	REFRIGERATION CIRCUIT	-	106812A01	1	1	1	-					
		-	106812A02				1	1	-			
		-	106812A03						1	1	1	1
C	WATER CIRCUIT	-	1A0058A04	1	1	1	-					
		-	1A0058A07				1	1	1	1	1	1
D	CONT. BOX ASSEMBLY	-	220492A01	1	1	1	1	1	1	-		
		-	220492A05							1	-	
		-	220492A01								1	-
		-	220492A05									1
E	LABEL LOCATION	-	332453A01	1	1	1	1	1	1	-		
		-	332453A03							1	1	1
1	EVAP. CASE	-	2A0143G01	1	1	1	1	1	1	1	x1	
		-	1A0276G01									o1
2	BASE	-	2A0119G07	1	1	1	1	1	1	1	1	1
3	FRAME	-	3A0217-01	1	x1							
		ABS	3A0217G01		o1	1	1	1	1	1	1	1
4	SQUARE WASHER	BRASS	433537-02	1	1	1	1	1	1	1	1	1
5	SCREW - GROUNDING	BRASS	433304-02	1	1	1	1	1	1	1	1	1
6	TOP FRAME	GS	332443-01	1	1	1	1	1	1	1	1	1
7	SIDE FRAME	GS	332465G01	1	1	1	1	1	1	1	1	1
8	BULB HOLDER	PE	328919-01	1	1	1	1	1	1	1	1	1
9	SPACER	PE	443545-01	1	1	1	1	1	1	1	1	1
10	THUMBSCREW	SS, ABS	415949G03	2	2	2	2	2	2	2	2	2
11	BASE COVER	SS	321525G01	1	1	1	1	1	1	1	1	1
12	TOP INSULATION	PP	215730G01	1	1	1	1	1	1	1	1	1
13	FRONT INSULATION	PP	215731G01	1	1	1	1	1	1	1	1	1
14	SIDE PANEL (R)	SS	211811G06	1	1	1	1	1	1	1	1	1

MODEL: KM-500MAE TITLE: A. ICE CUBER ASSEMBLY												
INDEX NO.	DESCRIPTION	MATERIAL OR MODEL NUMBER	PART NUMBER	REQUIRED NUMBER								
				C-1	D-0	E-0	E-1	F-0 F-1	G-0 G-1 H-0	H-1 H-2	H-3	H-4 J-0
15	CONT. BOX COVER	GS	332466-01	1	1	1	1	1	1	1	1	1
16	FRONT PANEL	SS	323004G06	1	x1							
		SS	323004G07		o1	1	1	1	1	1	1	1
17	LOUVER (B)	ABS	103121-03	1	1	1	1	1	1	1	1	1
18	BARRIER	GS	4A0362-01	1	1	1	1	1	1	1	1	1
19	TAPPING SCREW (BLACK)	STEEL, 4x8	433954-01	1	1	1	1	1	1	1	1	1
20	TOP PANEL	SS	220465-01	1	1	1	1	1	1	1	1	1
21	GASKET	PVC	427014-04	2	2	2	2	2	2	2	2	2
22	INSULATION	PE FOAM	438012-01	1	1	1	1	1	1	1	1	1
23	AIR FILTER (B)	ABS	208283G03	1	1	1	1	1	1	1	1	1
24	FRONT COVER	PS	2A0182-01		1	1	1	1	1	1	1	1
25	SIDE PANEL (R) BASE	SS	212620-01	1	1	1	1	1	1	1	1	1
26	GASKET	L=696	324859-03	1	1	1	1	1	1	1	1	1
27	BARRIER – INSULATION	GS	4A1167-01						1	1	1	1

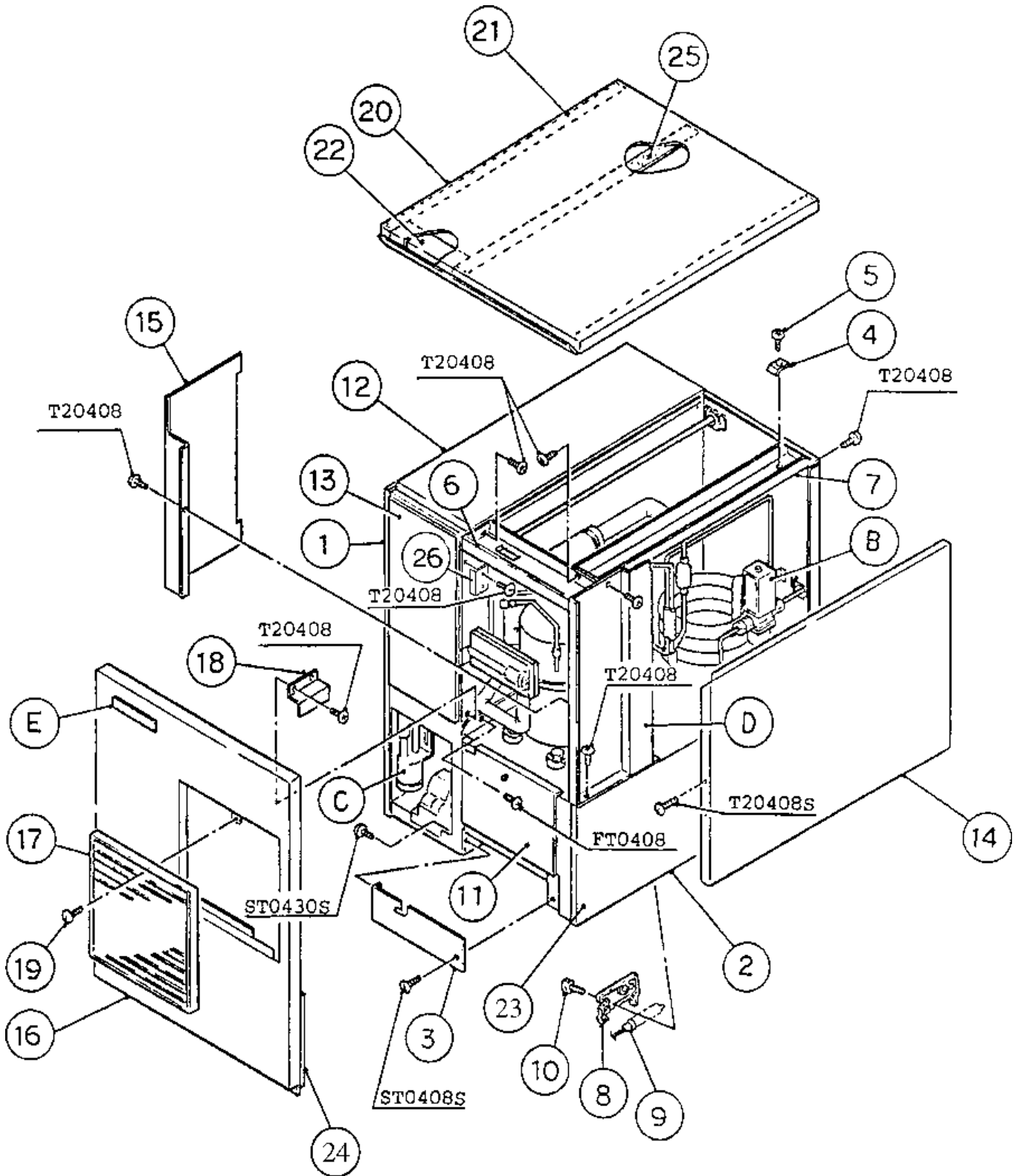


HA

KM-500MWE

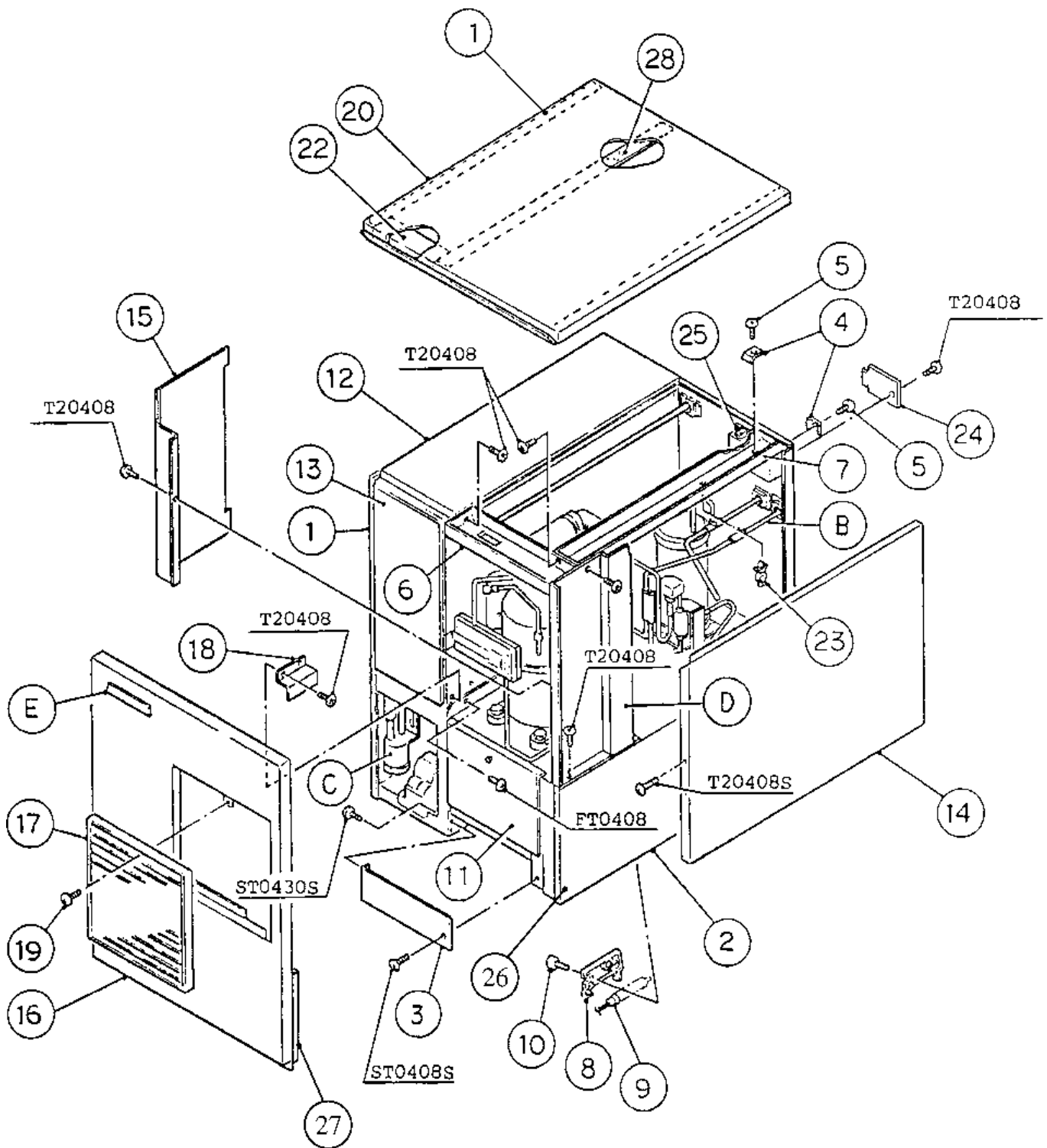
A. ICE CUBER ASSEMBLY

G-0, G-1, H-0, H-1, H-2, H-3, H-4, J-0



MODEL: KM-500MWE TITLE: A. ICE CUBER ASSEMBLY													
INDEX NO.	DESCRIPTION	MATERIAL OR MODEL NUMBER	PART NUMBER	REQUIRED NUMBER									
				C-1	D-0	E-0	E-1	F-0	G-1	H-1	H-3	H-4	J-0
B	REFRIGERATION CIRCUIT	-	106813A01	1	1	1	-						
		-	106813A02				1	1	1	1	1	1	
C	WATER CIRCUIT	-	1A0058A04	1	1	1	-						
		-	1A0058A07				1	1	1	1	1	1	
D	CONT. BOX ASSEMBLY	-	220492A02	1	1	1	1	1	1	-			
		-	220492A06							1	-		
		-	220492A02								1	-	
		-	220492A06									1	
E	LABEL LOCATION	-	332454A01	1	1	1	1	1	1	-			
		-	332454A03							1	1	1	
1	EVAP. CASE	-	2A0143G01	1	1	1	1	1	1	1	x1		
		-	1A0276G01								o1	1	
2	BASE	-	2A0119G08	1	1	1	-						
		-	2A0119G10				1	1	1	1	1	1	
3	FRAME	-	3A0217-01	1	x1								
		-	3A0217G01		o1	1	1	1	1	1	1	1	
4	SQUARE WASHER	BRASS	433537-02	1	1	1	1	1	1	1	1	1	
5	SCREW - GROUNDING	BRASS	433304-02	1	1	1	1	1	1	1	1	1	
6	TOP FRAME	GS	332443-01	1	1	1	1	1	1	1	1	1	
7	SIDE FRAME	GS	332465G01	1	1	1	1	1	1	1	1	1	
8	BULB HOLDER	PE	328919-01	1	1	1	1	1	1	1	1	1	
9	SPACER	PE	443545-01	1	1	1	1	1	1	1	1	1	
10	THUMBSCREW	SS, ABS	415949G03	2	2	2	2	2	2	2	2	2	
11	BASE COVER	SS	321525G01	1	1	1	1	1	1	1	1	1	
12	TOP INSULATION	PP	215730G01	1	1	1	1	1	1	1	1	1	
13	FRONT INSULATION	PP	215731G01	1	1	1	1	1	1	1	1	1	
14	SIDE PANEL (R)	SS	211811G06	1	1	1	1	1	1	1	1	1	
15	CONT. BOX COVER	GS	332466-01	1	1	1	1	1	1	1	1	1	

MODEL: KM-500MWE TITLE: A. ICE CUBER ASSEMBLY												
INDEX NO.	DESCRIPTION	MATERIAL OR MODEL NUMBER	PART NUMBER	REQUIRED NUMBER								
				C-1	D-0	E-0	E-1 F-0	G-0	G-1 H-0	H-1 H-2	H-3	H-4 J-0
16	FRONT PANEL	SS	323004G06	1	x1							
		SS	323004G07		o1	1	1	1	1	1	1	1
17	LOUVER (B)	ABS	103121-03	1	1	1	1	1	1	1	1	1
18	BARRIER	GS	4A0362-01	1	1	1	1	1	1	1	1	1
19	TAPPING SCREW (BLACK)	STEEL, 4x8	433954-01	1	1	1	1	1	1	1	1	1
20	TOP PANEL	(324859A03), SS	220465-01	1	1	1	1	1	1	1	1	1
21	GASKET	PVC	427014-04	2	2	2	2	2	2	2	2	2
22	INSULATION	PE FOAM	438012-01	1	1	1	1	1	1	1	1	1
23	SIDE PANEL (R) BASE	SS	212620-01	1	1	1	1	1	1	1	1	1
24	FRONT COVER	PS	2A0182-01		1	1	1	1	1	1	1	1
25	GASKET	L=696	324859-03	1	1	1	1	1	1	1	1	1
26	BARRIER – INSULATION	GS	4A1167-01					1	1	1	1	1

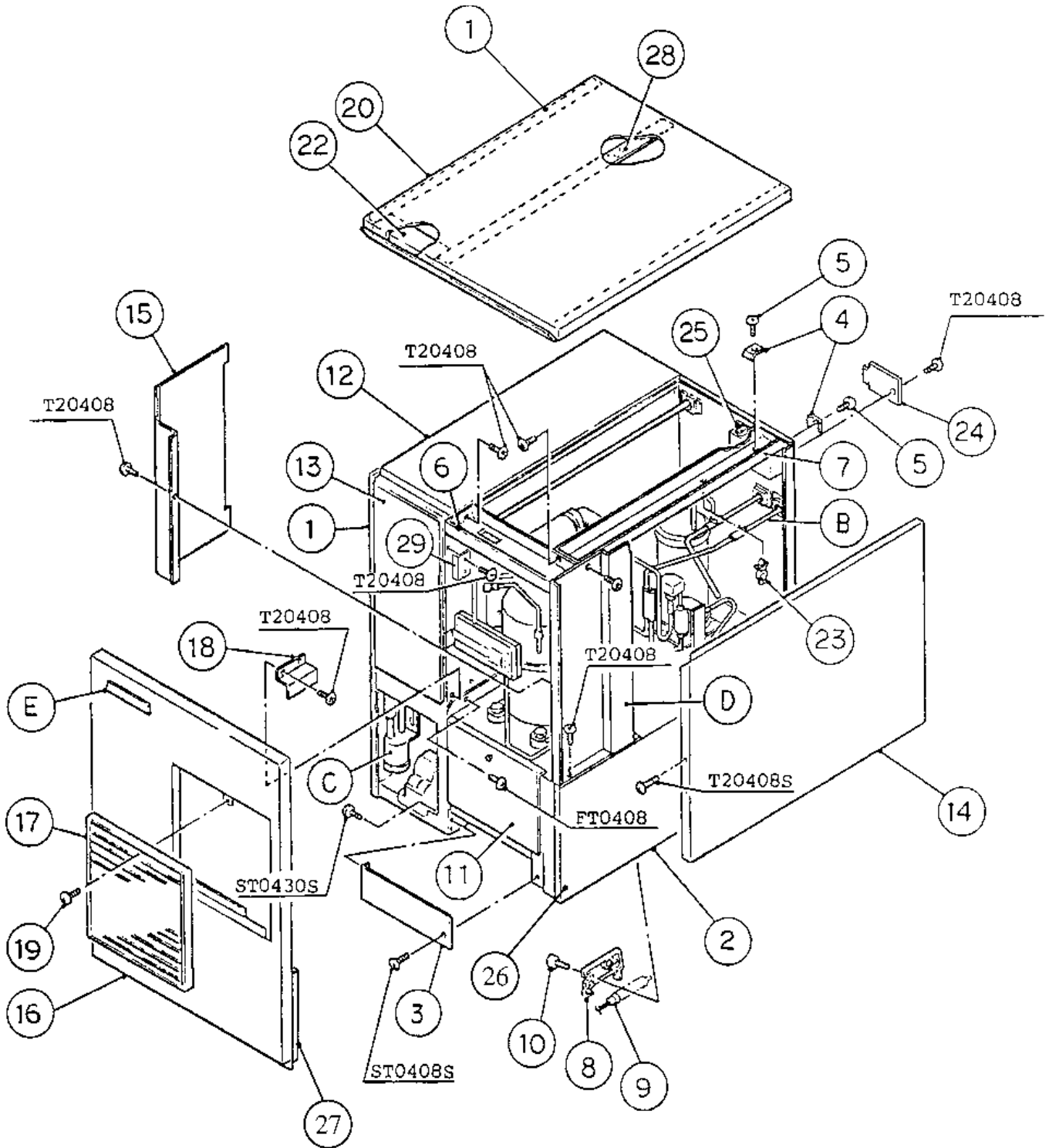


HA

KM-500MRE

A. ICE CUBER ASSEMBLY

G-0, G-1, H-0, H-1, H-2, H-3, H-4, J-0



HA

MODEL: KM-500MRE TITLE: A. ICE CUBER ASSEMBLY												
INDEX NO.	DESCRIPTION	MATERIAL OR MODEL NUMBER	PART NUMBER	REQUIRED NUMBER								
				C-1	D-0	E-0	E-1	F-0	G-1	H-1	H-3	H-4
								G-0	H-0	H-2		J-0
B	REFRIGERATION CIRCUIT	-	106814A01	1	1	1	-					
		-	106814A02				1	1	1	1	1	1
C	WATER CIRCUIT	-	1A0058A04	1	1	1	-					
		-	1A0058A07				1	1	1	1	1	1
D	CONT. BOX ASSEMBLY	-	220492A02	1	1	1	1	1	1	-		
		-	220492A06							1	-	
		-	220492A02								1	-
		-	220492A06									1
E	LABEL LOCATION	-	332455A01	1	1	1	1	1	1	-		
		-	332455A02							1	1	1
1	EVAP. CASE	-	2A0143G01	1	1	1	1	1	1	1	x1	
		-									o1	1
2	BASE	-	2A0119G09	1	1	1	1	1	1	1	1	1
3	FRAME	-	3A0217-01	1	x1							
		-	3A0217G01		o1	1	1	1	1	1	1	1
4	SQUARE WASHER	BRASS	433537-02	2	2	2	1	1	2	2	1	1
5	SCREW - GROUNDING	BRASS	433304-02	2	2	2	1	1	2	2	1	1
6	TOP FRAME	GS	332443-01	1	1	1	1	1	1	1	1	1
7	SIDE FRAME	GS	332465-01	1	1	1	1	1	1	1	1	1
8	BULB HOLDER	PE	328919-01	1	1	1	1	1	1	1	1	1
9	SPACER	PE	443545-01	1	1	1	1	1	1	1	1	1
10	THUMBSCREW	SS, ABS	415949G03	2	2	2	1	1	2	2	1	1
11	BASE COVER	SS	321525G01	1	1	1	1	1	1	1	1	1
12	TOP INSULATION	PP	215730G01	1	1	1	1	1	1	1	1	1
13	FRONT INSULATION	PP	215731G01	1	1	1	1	1	1	1	1	1
14	SIDE PANEL (R)	SS	211811G06	1	1	1	1	1	1	1	1	1
15	CONT. BOX COVER	GS	332466-01	1	1	1	1	1	1	1	1	1

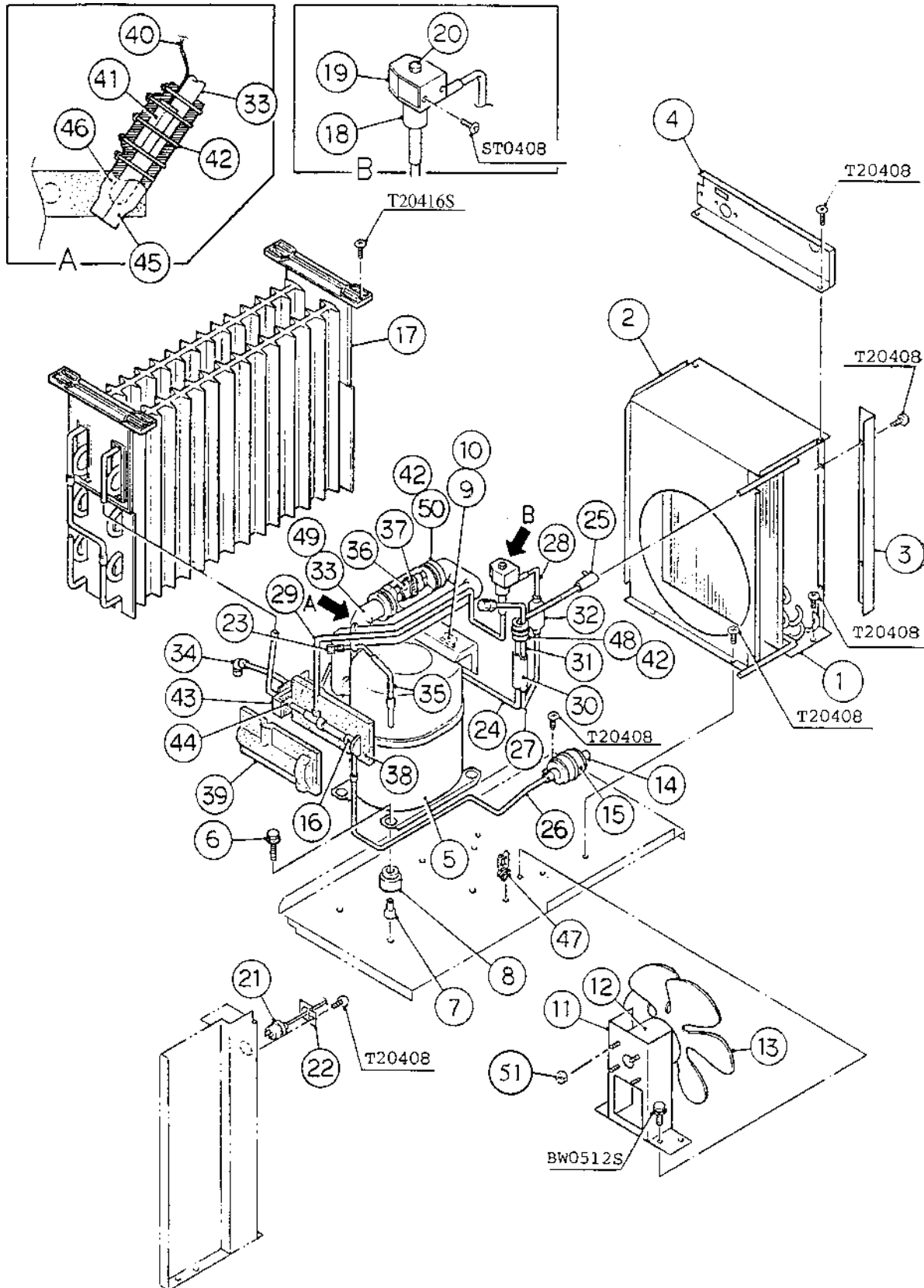
HA

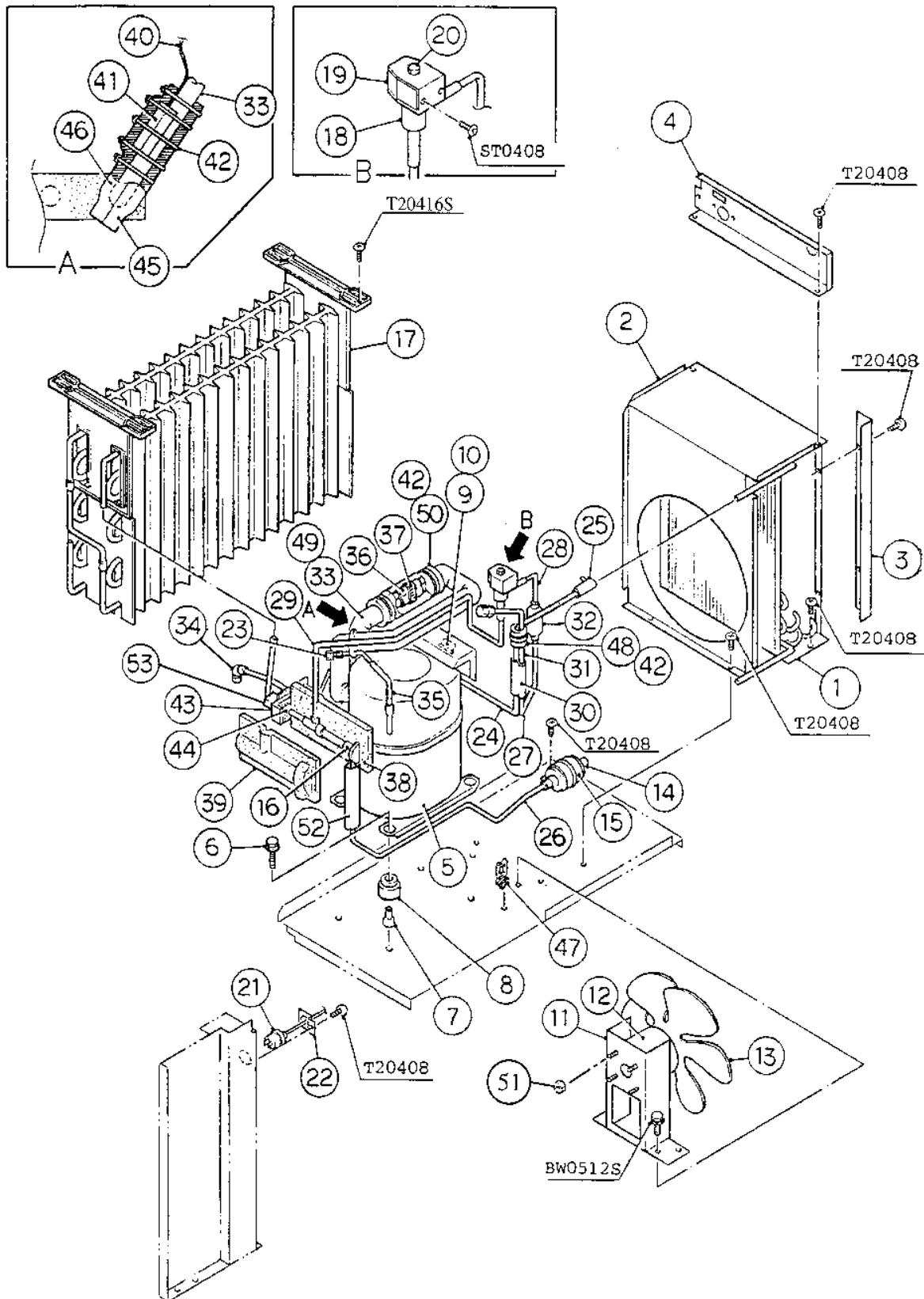
MODEL: KM-500MRE TITLE: A. ICE CUBER ASSEMBLY													
INDEX NO.	DESCRIPTION	MATERIAL OR MODEL NUMBER	PART NUMBER	REQUIRED NUMBER									
				C-1	D-0	E-0	E-1 F-0	G-0	G-1 H-0	H-1 H-2	H-3	H-4 J-0	
16	FRONT PANEL	SS	323004G06	1	1	x1							
		SS	323004G07			o1	1	1	1	1	1	1	
17	LOUVER (B)	ABS	103121-03	1	1	1	1	1	1	1	1	1	
18	BARRIER	GS	4A0362-01	1	1	1	1	1	1	1	1	1	
19	TAPPING SCREW (BLACK)	STEEL, 4x8	433954-01	1	1	1	1	1	1	1	1	1	
20	TOP PANEL	(324859A03), SS	220465-01	1	1	1	1	1	1	1	1	1	
21	GASKET	PVC	427014-04	2	2	2	1	1	1	1	1	1	
22	INSULATION	PE FOAM	438012-01	1	1	1	1	1	1	1	1	1	
23	CLAMP	NO. 249	427902-03	1	1	1	1	1	1	1	1	1	
24	JUNCTION BOX COVER	GS	433410-01	1	1	1	1	1	1	1	1	1	
25	BUSHING	SR-30-1	420472-03	1	1	1	1	1	1	1	1	1	
26	SIDE PANEL (R) BASE	SS	212620-01	1	1	1	1	1	1	1	1	1	
27	FRONT COVER	PS	2A0182-01		1	1	1	1	1	1	1	1	
28	GASKET (A)	L=696	324859-03	1	1	1	1	1	1	1	1	1	
29	BARRIER – INSULATION	-	4A1167-01					1	1	1	1	1	

HA

KM-500MAE B. REFRIGERATION CIRCUIT

C-1, D-0, E-0, E-1, F-0,
F-1, G-0, G-1, H-0, H-1,
H-2, H-3, H-4





HA

MODEL: KM-500MAE TITLE: B. REFRIGERATION CIRCUIT												
INDEX NO.	DESCRIPTION	MATERIAL OR MODEL NUMBER	PART NUMBER	REQUIRED NUMBER								
				C-1	D-0	E-0	E-1	F-0	F-1 G-0 G-1	H-0	H-1 H-2 H-3 H-4	J-0
1	CONDENSER	-	220491-01	1	1	1	1	1	1	1	1	1
2	SHROUD	GS	220466-01	1	1	1	1	1	-			
		GS	2A0606-01						1	1	1	1
3	BARRIER	GS	433693-04	1	1	1	1	1	1	1	1	1
4	REAR PANEL	GS	332441-01	1	1	1	-					
		GS	332441-02				1	1	-			
		GS	3A0562-01						1	1	1	1
5	COMPRESSOR	RSN6-0075-CAA	446521-01	1	1	1	1	1	1	1	1	1
6	BOLT	8x45	437889-01	4	4	4	4	4	4	4	4	4
7	SPACER	027-0072-02	434404-01	4	4	4	4	4	4	4	4	4
8	GROMMET	027-0073-00	434403-01	4	4	4	4	4	4	4	4	4
9	MOTOR PROTECTOR	071-0127-42	446569-01	1	1	1	1	1	1	x1		
		071-0518-00	4A1432-01								o1	1
10	PROTECTOR HOLDER	SS	437379-01	1	1	1	1	1	1	1	1	x1
		SS	4A1248-01									
11	FAN MOTOR BRACKET	GS	327179-01	1	1	1	1	1	1	1	1	1
12	FAN MOTOR	U90B1, 7190-1031	440911-01	1	1	1	1	1	1	1	1	1
13	FAN BLADE	AD10CW32	444898-01	1	1	1	1	1	1	1	1	1
14	DRIER	C-0325-S	445007-01	1	1	1	1	1	1	1	1	1
15	DRIER BRACKET	GS	445847-01	1	1	1	1	1	1	1	1	1
16	EXPANSION VALVE	HFE-10HHD-2	443305-02	1	1	1	1	1	1	1	1	1
17	EVAPORATOR	-	106492G01	1	1	1	1	1	1	1	1	1
18	VALVE BODY	70	440352-01	1	1	1	1	1	1	1	1	1

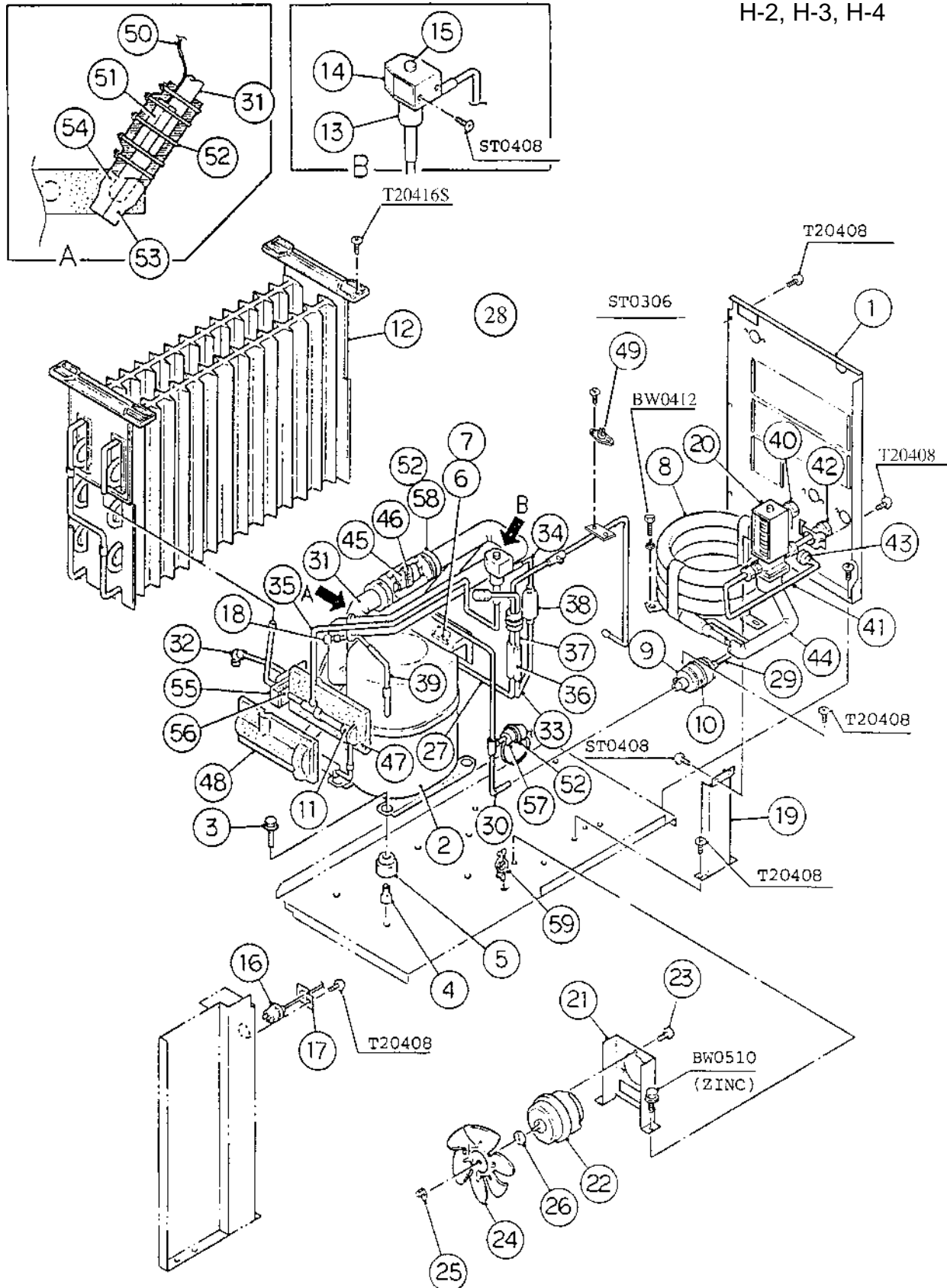
MODEL: KM-500MAE TITLE: B. REFRIGERATION CIRCUIT												
INDEX NO.	DESCRIPTION	MATERIAL OR MODEL NUMBER	PART NUMBER	REQUIRED NUMBER								
				C-1	D-0	E-0	E-1	F-0	F-1 G-0	G-1 H-0 H-1	H-2 H-3 H-4	J-0
19	COIL - VALVE	ABS-25-1- HD-2	440353-01	1	1	1	1	1	1	1	1	1
20	BOLT	4x6	440353F01	1	1	1	1	1	1	1	1	1
21	PRESSURE SWITCH	ACB-2UB04	433441-05	1	1	1	1	1	1	1	1	1
22	PRESSURE SWITCH BRACKET	GS	434938-01	1	1	1	1	1	1	1	1	1
23	ACCESS VALVE	TCJ-2F15-HD	417366-01	2	2	2	2	2	2	2	2	2
24	COPPER TUBE (A1) - HIGH SIDE	COPPER	329765-01	1	1	1	1	1	1	1	1	1
25	COPPER TUBE (B) - HIGH SIDE	COPPER	332442G01	1	1	1	1	1	1	1	1	1
26	COPPER TUBE (C) - HIGH SIDE	COPPER	332467-01	1	1	1	1	1	1	1	1	1
27	COPPER TUBE (A) - HOT GAS	COPPER	446560-01	1	1	1	1	1	1	1	1	1
28	COPPER TUBE (B) - HOT GAS	COPPER	446561-01	1	1	1	1	1	1	1	1	1
29	COPPER TUBE (C) - HOT GAS	COPPER	332461G01	1	1	1	1	1	1	1	1	1
30	DISTRIBUTOR	AP71412	439624-01	1	1	1	1	1	1	1	1	1
31	COPPER TUBE - ACCESS VALVE	COPPER	446572-01	1	1	1	1	1	1	x1		
		COPPER	446572G01							o1	1	1
32	STRAINER	-	441569-01	1	1	1	1	1	1	1	1	1
33	COPPER TUBE - LOW SIDE	COPPER	220470-01	1	1	1	1	1	1	1	x1	
		COPPER	220470G01								o1	1
34	ELBOW	COPPER	417395-03	1	1	1	1	1	1	1	1	1

MODEL: KM-500MAE TITLE: B. REFRIGERATION CIRCUIT												
INDEX NO.	DESCRIPTION	MATERIAL OR MODEL NUMBER	PART NUMBER	REQUIRED NUMBER								
				C-1	D-0	E-0	E-1	F-0	F-1 G-0	G-1 H-0 H-1	H-2 H-3 H-4	J-0
35	COPPER TUBE - ACCESS VALVE	COPPER	443913-01	1	1	1	1	1	1	1	1	1
36	HOLDER / EXP. VALVE - 3/8	SS	3A0107-01	1	1	1	1	1	1	1	1	1
37	CLAMP	SS	443461-02	1	1	1	1	1	1	1	1	1
38	EXP. VALVE COVER (A)	PE FOAM	324214-01	1	1	1	1	1	1	1	1	1
39	EXP. VALVE COVER (B)	PE FOAM	324214-02	1	1	1	1	1	1	1	1	1
40	THERMISTOR	-	429006-03	1	1	1	1	1	1	1	1	1
41	HOLDER - THERMISTOR	COPPER	427430-01	1	1	1	1	1	1	1	1	1
42	TIE	CV-200	7920-0010	11	11	11	11	11	11	11	6	6
43	RUBBER TUBE (A)	(433694A01) EPDM	321424-01	1	1	1	1	1	1	1	1	1
44	INSULATION	PE FOAM	433695-01	1	1	1	1	1	1	1	1	1
45	INS. - THERMISTOR (A)	PE FOAM	439368-01	1	1	1	1	1	1	1	-	
46	INS. - THERMISTOR (B)	PE FOAM	439368-02	1	1	1	1	1	1	1	-	
47	WIRE SADDLE	VWS4238-C	4A0338-02	4	4	4	4	4	4	4	4	4
48	INSULATION TUBE	L=30	7762-1020	1	1	1	1	1	1	1	1	1
49	INSULATION TUBE	L=540	7762-1330	1	1	1	1	1	-			
		L=540	7762-2040						1	1	-	
50	INSULATION TUBE	L=140	7762-2949	1	1	1	1	1	x1			
		L=140	7762-2943						o1	1	-	
51	SELF-LOCKING NUT	SS	7N21I0832	4	4	4	4	4	4	4	4	4
52	INSULATION TUBE	L=200	7762-1020									1
53	INSULATION TUBE	L=45	7762-1030									1

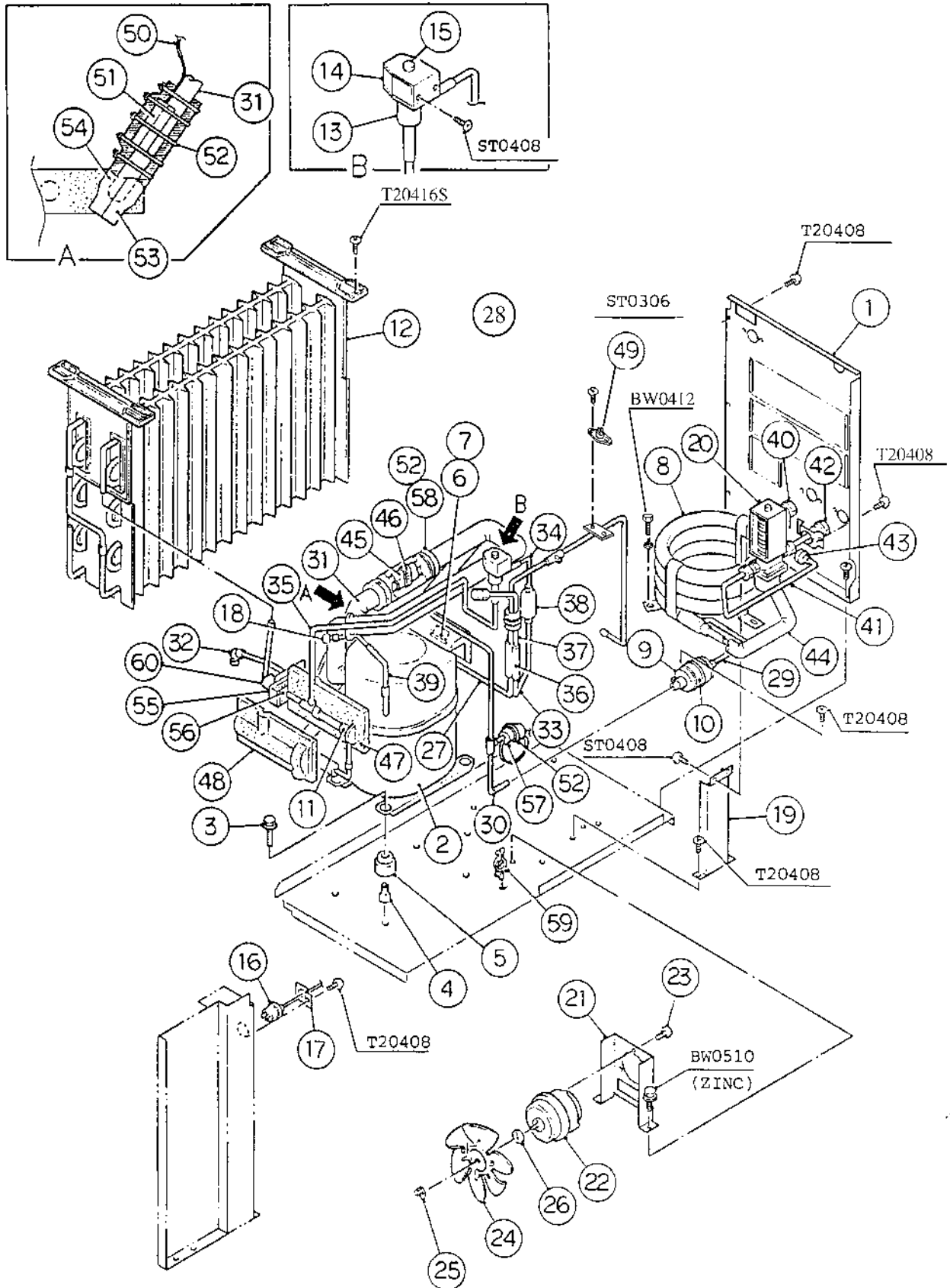
HA

KM-500MWE B. REFRIGERATION CIRCUIT

C-1, D-0, E-0, E-1, F-0,
G-0, G-1, H-0, H-1,
H-2, H-3, H-4



B. REFRIGERATION CIRCUIT



HA

MODEL: KM-500MWE TITLE: B. REFRIGERATION CIRCUIT												
INDEX NO.	DESCRIPTION	MATERIAL OR MODEL NUMBER	PART NUMBER	REQUIRED NUMBER								
				C-1	D-0	E-0	E-1	F-0 G-0 G-1	H-0	H-1 H-2	H-3 H-4	J-0
1	REAR PANEL	GS	220467-01	1	1	1	-					
		GS	220467-02				1	1	1	1	1	1
2	COMPRESSOR	RSN6-0075-CAA	446521-01	1	1	1	1	1	1	1	1	1
3	BOLT	8x45	437889-01	4	4	4	4	4	4	4	4	4
4	SPACER	027-0072-02	434404-01	4	4	4	4	4	4	4	4	4
5	GROMMET	027-0073-00	434403-01	4	4	4	4	4	4	4	4	4
6	MOTOR PROTECTOR	071-0127-42	446569-01	1	1	1	1	1	x1			
		071-0518-00	4A1432-01						o1	1	1	1
7	PROTECTOR HOLDER	SS	437379-01	1	1	1	1	1	1	1	1	x1
		SS	4A1248-01									o1
8	CONDENSER - WATER-COOLED	(S-0799)	215544G02	1	1	1	1	1	1	1	1	1
9	DRIER	C-0325-S	445007-01	1	1	1	1	1	1	1	1	1
10	DRIER BRACKET	GS	445847-01	1	1	1	1	1	1	1	1	1
11	EXPANSION VALVE	HFE-10HHD-2	443305-02	1	1	1	1	1	1	1	1	1
12	EVAPORATOR	-	106492G01	1	1	1	1	1	1	1	1	1
13	VALVE BODY	70	440352-01	1	1	1	1	1	1	1	1	1
14	COIL - VALVE	ABS-25-1-HD-2	440353-01	1	1	1	1	1	1	1	1	1
15	BOLT	4x6	440353F01	1	1	1	1	1	1	1	1	1
16	PRESSURE SWITCH	ACB-2UB02	433441-01	1	1	1	1	1	1	1	1	1
17	PRESSURE SWITCH BRACKET	GS	434938-01	1	1	1	1	1	1	1	1	1
18	ACCESS VALVE	TCJ-2F15-HD	417366-01	2	2	2	2	2	2	2	2	2
19	WATER REGULATOR BRACKET	GS	436897-01	1	1	1	1	1	1	1	1	1

MODEL: KM-500MWE TITLE: B. REFRIGERATION CIRCUIT												
INDEX NO.	DESCRIPTION	MATERIAL OR MODEL NUMBER	PART NUMBER	REQUIRED NUMBER								
				C-1	D-0	E-0	E-1	F-0 G-0 G-1	H-0	H-1 H-2	H-3 H-4	J-0
20	WATER REGULATOR	WVII-33RHD	415425-01	1	1	1	1	1	1	1	1	1
21	FAN MOTOR BRACKET	GS	3A0171-01	1	1	1	1	1	x1			
		GS	3A0171-02						o1	1	1	1
22	FAN MOTOR	SPBB4ER1	440916-01	1	1	1	1	1	1	1	1	1
23	SCREW	122A556AC	436863-01	3	3	3	3	3	3	3	3	3
24	FAN BLADE	ALUMINUM	435481-01	1	1	1	1	1	1	1	1	1
25	NUT	STEEL	435982-01	1	1	1	1	1	1	1	1	1
26	WASHER	-	435983-01	1	1	1	1	1	1	1	1	1
27	COPPER TUBE (A1) - HIGH SIDE	COPPER	329765-01	1	1	1	1	1	1	1	1	1
28	COPPER TUBE (B) - HIGH SIDE	COPPER	332469G01	1	1	x1						
		COPPER	3A0452G01			o1	1	1	1	1	1	1
29	COPPER TUBE (C) - HIGH SIDE	COPPER	446540-01	1	1	1	1	1	1	1	1	1
30	COPPER TUBE (D) - HIGH SIDE	COPPER	446541G01	1	1	1	1	1	1	1	1	1
31	HEAT EXCHANGER	-	220472G01	1	1	1	1	1	1	1	1	1
32	ELBOW	COPPER	417395-03	1	1	1	1	1	1	1	1	1
33	COPPER TUBE (A) - HOT GAS	COPPER	446560-01	1	1	1	1	1	1	1	1	1
34	COPPER TUBE (B) - HOT GAS	COPPER	446561-01	1	1	1	1	1	1	1	1	1
35	COPPER TUBE (C) - HOT GAS	COPPER	332461G01	1	1	1	1	1	1	1	1	1

HA

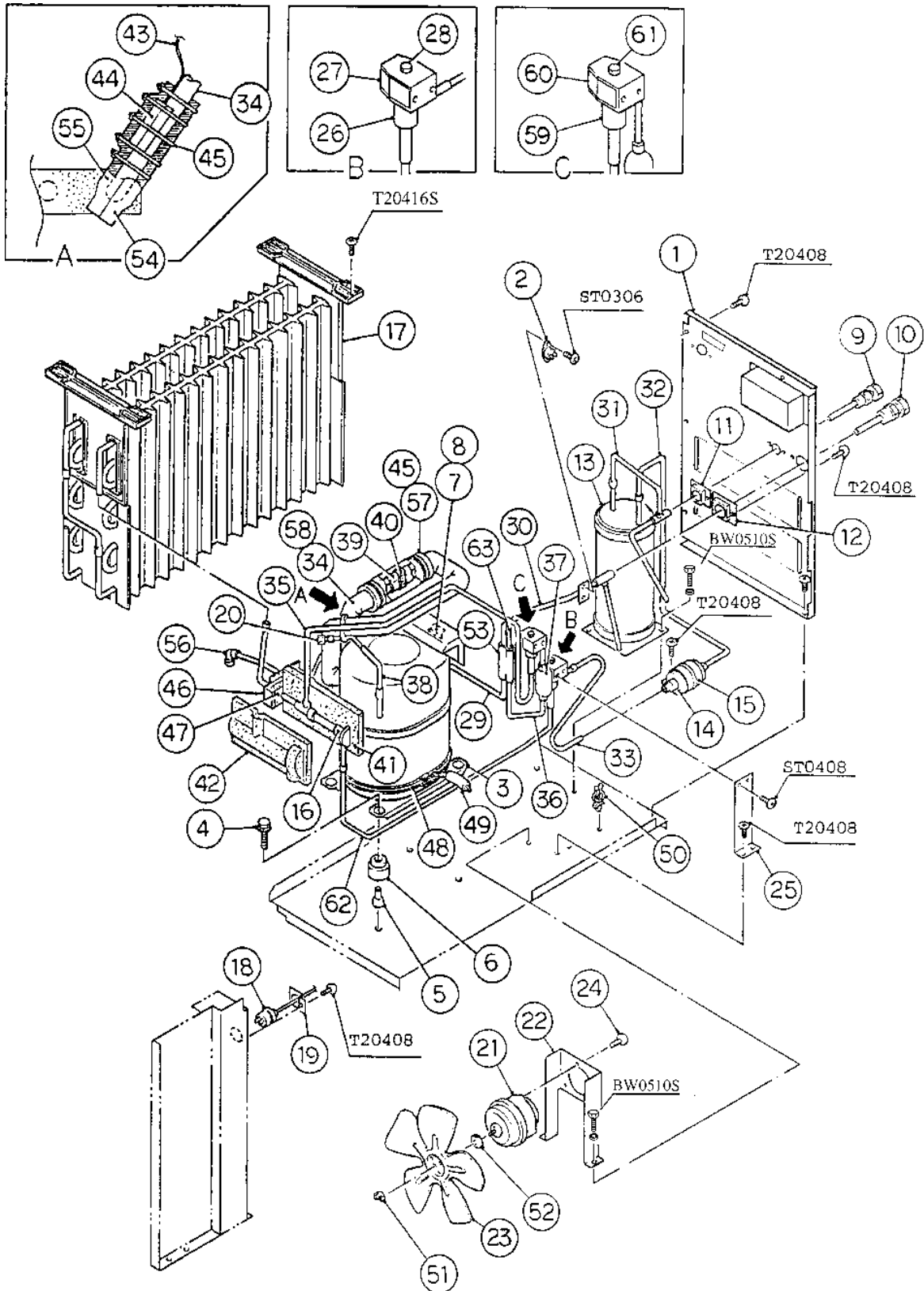
MODEL: KM-500MWE TITLE: B. REFRIGERATION CIRCUIT												
INDEX NO.	DESCRIPTION	MATERIAL OR MODEL NUMBER	PART NUMBER	REQUIRED NUMBER								
				C-1	D-0	E-0	E-1	F-0 G-0	G-1 H-0 H-1	H-2	H-3 H-4	J-0
36	DISTRIBUTOR	AP-71412	439624-01	1	1	1	1	1	1	1	1	1
37	COPPER TUBE - ACCESS VALVE	COPPER	446572-01	1	1	1	1	1	x1			
		COPPER	446572G01						o1	1	1	1
38	STRAINER	-	441569-01	1	1	1	1	1	1	1	1	1
39	COPPER TUBE - ACCESS VALVE	COPPER	443913-01	1	1	1	1	1	1	1	1	1
40	COPPER TUBE (A) - WATER CIRCUIT	COPPER	3A0204G01	1	1	1	-					
		COPPER	3A0466G01				1	1	1	1	1	1
41	COPPER TUBE (B) - WATER CIRCUIT	COPPER	436874-01	1	1	1	-					
		COPPER	4A0789-01				1	1	1	1	1	1
42	COPPER TUBE (C) - WATER CIRCUIT	COPPER	4A0217G01	1	1	1	-					
		COPPER	4A0780G01				1	1	1	1	1	1
43	REDUCER	COPPER	421904-03	1	1	1	1	1	1	1	1	1
44	INSULATION TUBE	L=230	7762-1323	1	1	1	-					
		L=220	7762-1323				1	1	1	1	1	1
45	HOLDER / EXP. VALVE - 3/8	SS	3A0107-01	1	1	1	1	1	1	1	1	1
46	CLAMP	SS	443461-02	1	1	1	1	1	1	1	1	1
47	EXP. VALVE COVER (A)	PE FOAM	322621-01	1	1	1	1	1	1	1	1	1
48	EXP. VALVE COVER (B)	PE FOAM	322621-02	1	1	1	1	1	1	1	1	1
49	THERMOSTAT	CS-12A	440664-01	1	1	1	1	1	1	1	1	1
50	THERMISTOR	-	429006-03	1	1	1	1	1	1	1	1	1
51	HOLDER - THERMISTOR	COPPER	427430-01	1	1	1	1	1	1	1	1	1

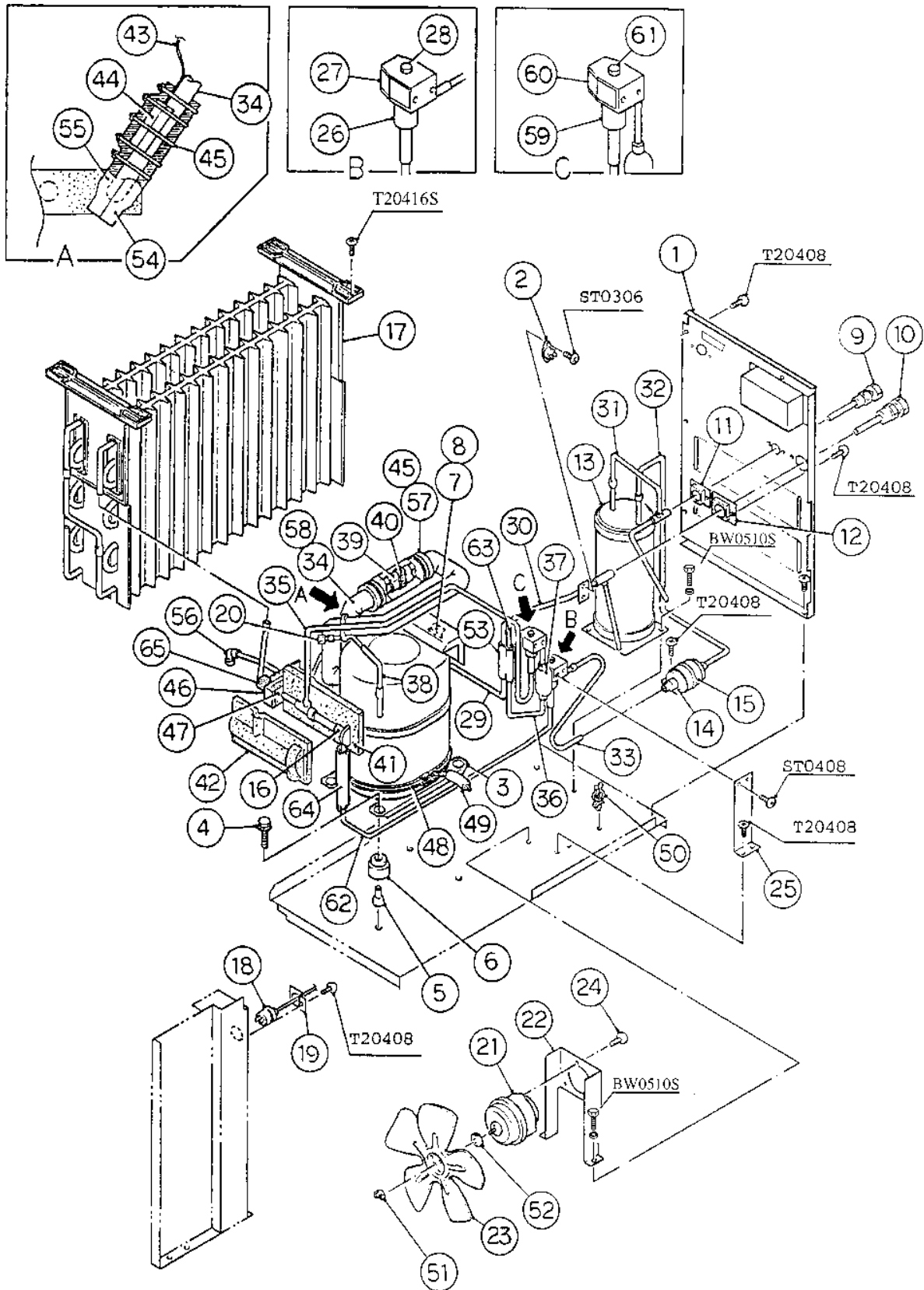
HA

MODEL: KM-500MWE TITLE: B. REFRIGERATION CIRCUIT													
INDEX NO.	DESCRIPTION	MATERIAL OR MODEL NUMBER	PART NUMBER	REQUIRED NUMBER									
				C-1	D-0	E-0	E-1	F-0	G-1 G-0	H-2 H-0 H-1	H-3 H-4	J-0	
52	TIE	CV-200	7920-0010	12	12	12	12	12	12	12	8	8	8
53	INSULATION - THERMISTOR (A)	PE FOAM	439368-01	1	1	1	1	1	1	1	-		
54	INSULATION - THERMISTOR (B)	PE FOAM	439368-02	1	1	1	1	1	1	1	-		
55	RUBBER TUBE (A)	(433694A01) EPDM	321424-01	1	1	1	1	1	1	1	1	1	1
56	INSULATION	PE FOAM	433695-01	1	1	1	1	1	1	1	1	1	1
57	INSULATION TUBE	L=30	7762-1020	2	2	2	2	2	2	2	2	2	2
58	INSULATION TUBE	L=140	7762-2949	1	1	1	1	x1					
		L=140	7762-2943					o1	1	1	1	1	1
59	WIRE SADDLE	VWS4238-C	4A0338-02	6	6	6	6	6	6	6	6	6	6
60	INSULATION	-	L=45										1

B. REFRIGERATION CIRCUIT

C-1, D-0, E-0, E-1, F-0,
G-0, G-1, H-0, H-1,
H-2, H-3, H-4





HA

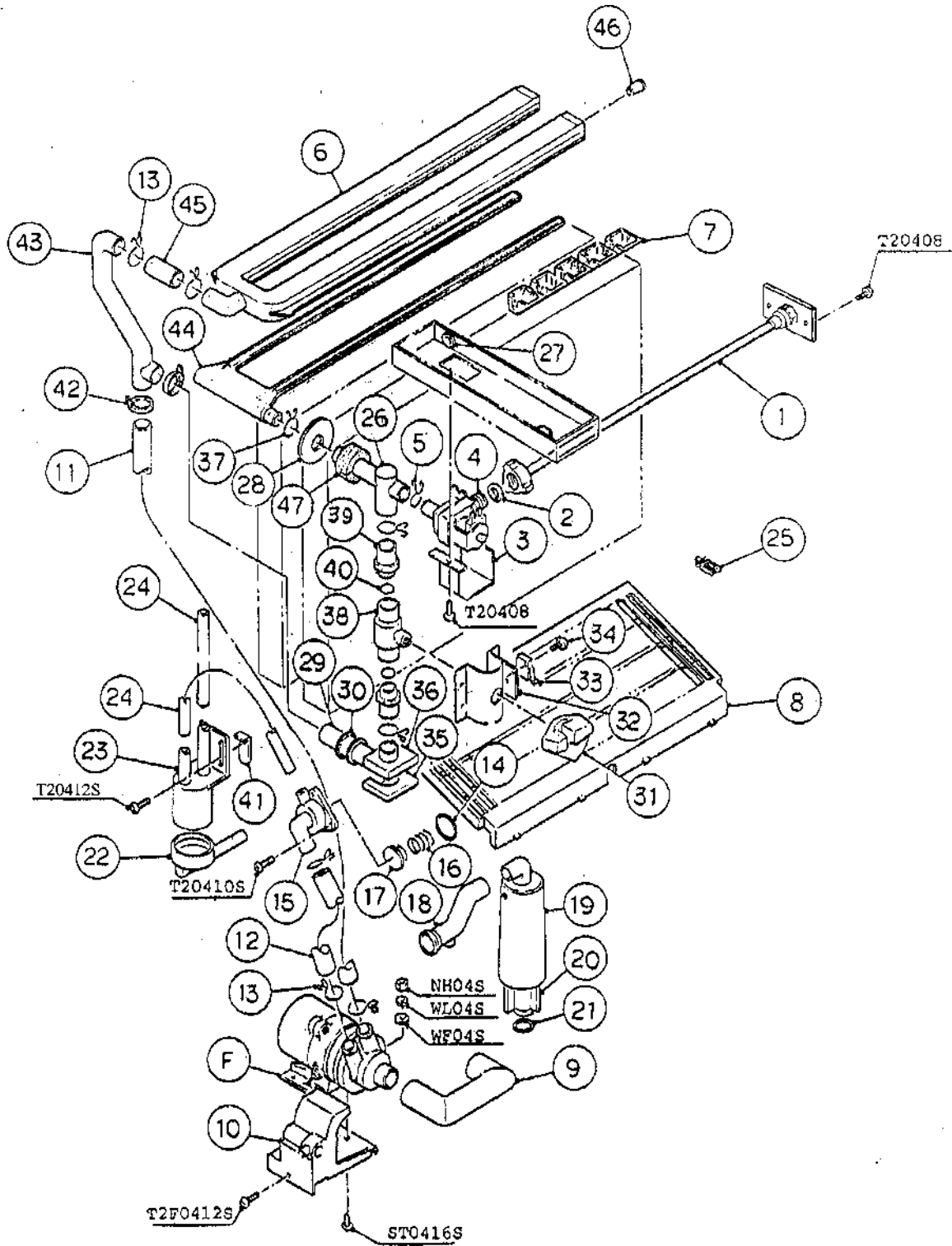
MODEL: KM-500MRE TITLE: B. REFRIGERATION CIRCUIT												
INDEX NO.	DESCRIPTION	MATERIAL OR MODEL NUMBER	PART NUMBER	REQUIRED NUMBER								
				C-1	D-0	E-0	E-1 F-0	G-0 G-1	H-0 H-1	H-2	H-3 H-4	J-0
1	REAR PANEL	GS	220468G01	1	1	1	-					
		GS	220468G02				1	1	1	1	1	1
2	THERMOSTAT	CS-12A	440664-01	1	1	1	1	1	1	1	1	1
3	COMPRESSOR	RSN6-0075- CAA	446521-01	1	1	1	1	1	1	1	1	1
4	BOLT	8x45	437889-01	4	4	4	1	1	1	1	1	1
5	SPACER	027-0072-02	434404-01	4	4	4	1	1	1	1	1	1
6	GROMMET	027-0073-00	434403-01	4	4	4	1	1	1	1	1	1
7	MOTOR PROTECTOR	071-0127-42	446569-01	1	1	1	1	1	x1			
		071-0528-00	4A1432-01						o1	1	1	1
8	PROTECTOR HOLDER	SS	437379-01	1	1	1	1	1	1	1	1	x1
		SS										o1
9	COUPLING	COPPER	433751G01	1	1	1	1	1	1	1	1	1
10	COUPLING	COPPER	434136G01	1	1	1	1	1	1	1	1	1
11	TUBE HOLDER (S)	GS	438246-01	1	1	1	1	1	1	1	1	1
12	TUBE HOLDER (L)	GS	438245-01	1	1	1	1	1	1	1	1	1
13	RECEIVER TANK	6814	437596-01	1	1	1	1	1	1	1	1	1
14	DRIER	C-0325-S	445007-01	1	1	1	1	1	1	1	1	1
15	DRIER BRACKET	GS	445847-01	1	1	1	1	1	1	1	1	1
16	EXPANSION VALVE	HFE-10HHD-2	443305-02	1	1	1	1	1	1	1	1	1
17	EVAPORATOR	-	106492G01	1	1	1	1	1	1	1	1	1
18	PRESSURE SWITCH	ACB-2UB04	433441-05	1	1	1	1	1	1	1	1	1
19	PRESSURE SWITCH BRACKET	GS	434938-01	1	1	1	1	1	1	1	1	1
20	ACCESS VALVE	TCJ-2F15-HD	417366-01	1	1	1	1	1	1	1	1	1
21	FAN MOTOR	SP-B8HBER16 (8W)	440917-01	1	1	1	1	1	1	1	1	1

HA

MODEL: KM-500MRE TITLE: B. REFRIGERATION CIRCUIT												
INDEX NO.	DESCRIPTION	MATERIAL OR MODEL NUMBER	PART NUMBER	REQUIRED NUMBER								
				C-1	D-0	E-0	E-1 F-0	G-0 G-1	H-0 H-1	H-2	H-3 H-4	J-0
22	FAN MOTOR BRACKET	GS	322625-01	1	1	1	1	1	1	1	1	1
23	FAN BLADE	ALUMINUM	434959-01	1	1	1	1	1	1	1	1	1
24	SCREW	122A556AC	436863-01	3	3	3	3	3	3	3	3	3
25	VALVE BRACKET	GS	436893-01	1	1	1	1	1	1	1	1	1
26	VALVE BODY	70	440352-01	1	1	1	1	1	1	1	1	1
27	COIL - VALVE	ABS-25-1-HD-2	440353-01	1	1	1	1	1	1	1	1	1
28	BOLT	4x6	440353F01	1	1	1	1	1	1	1	1	1
29	COPPER TUBE (A1) - HIGH SIDE	COPPER	329765-01	1	1	1	1	1	1	1	1	1
30	COPPER TUBE (B) - HIGH SIDE	COPPER	332444G01	1	1	1	1	1	1	1	1	1
31	COPPER TUBE (D) - HIGH SIDE	COPPER	331442G01	1	1	1	1	1	1	1	1	1
32	COPPER TUBE (E) - HIGH SIDE	COPPER	332445-01	1	1	1	1	1	1	1	1	1
33	COPPER TUBE (F) - HIGH SIDE	COPPER	446539-01	1	1	1	1	1	1	1	1	1
34	COPPER TUBE - LOW SIDE	COPPER	220470-01	1	1	1	1	1	1	x1		
		COPPER	220470G01							o1	1	1
35	COPPER TUBE (A) - HOT GAS	COPPER	332446G01	1	1	1	1	1	1	1	1	1
36	COPPER TUBE (B) - HOT GAS	COPPER	446562-01	1	1	1	1	1	1	1	1	1
37	STRAINER	-	441569-01	1	1	1	1	1	1	1	1	1
38	COPPER TUBE - ACCESS VALVE	COPPER	443913-01	1	1	1	1	1	1	1	1	1
39	HOLDER / EXP. VALVE - 3/8	SS	3A0107-01	1	1	1	1	1	1	1	1	1
40	CLAMP	SS	443461-02	1	1	1	1	1	1	1	1	1

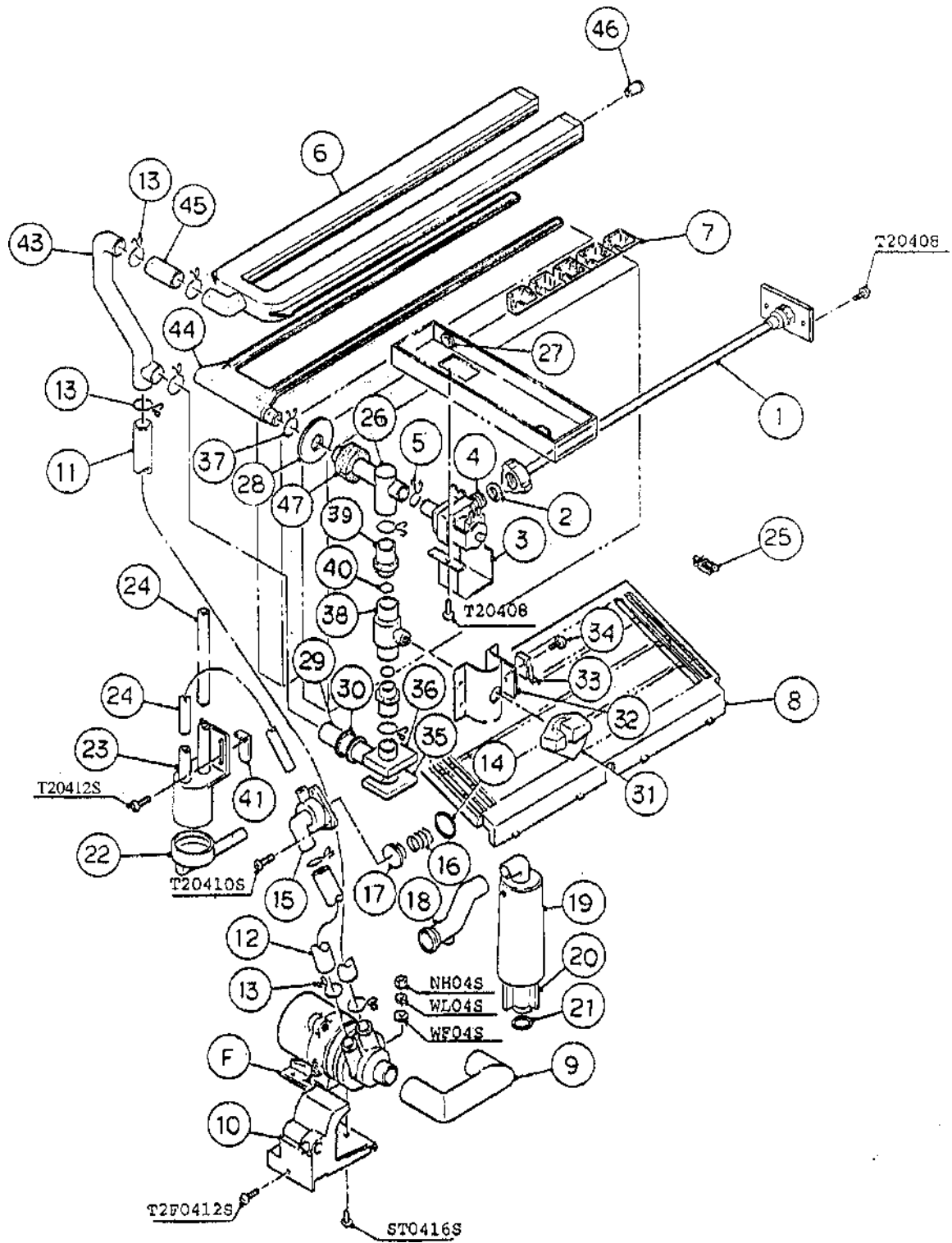
HA

MODEL: KM-500MRE TITLE: B. REFRIGERATION CIRCUIT												
INDEX NO.	DESCRIPTION	MATERIAL OR MODEL NUMBER	PART NUMBER	REQUIRED NUMBER								
				C-1	D-0	E-0	E-1	F-0 G-0 G-1	H-0 H-1	H-2	H-3	H-4 J-0
41	EXP. VALVE COVER (A)	PE FOAM	322621-01	1	1	1	1	1	1	1	1	1
42	EXP. VALVE COVER (B)	PE FOAM	322621-02	1	1	1	1	1	1	1	1	1
43	THERMISTOR	-	429006-03	1	1	1	1	1	1	1	1	1
44	HOLDER - THERMISTOR	COPPER	427430-01	1	1	1	1	1	1	1	1	1
45	TIE	CV-200	7920-0010	9	9	9	9	9	9	5	5	5
46	RUBBER TUBE (A)	(433694A01) EPDM	321424-01	1	1	1	1	1	1	1	1	1
47	INSULATION	PE FOAM	433695-01	1	1	1	1	1	1	1	1	1
48	CRANKCASE HEATER	018-0038-00, 45W 120V	434186-01	1	1	1	1	1	1	1	1	1
49	SILICONE HOSE	ID 3/8" x 0.0625"	7730-0912	1	1	1	1	1	1	1	1	1
50	CLAMP	PA	4A0337-12	1	1	1	1	1	1	1	1	1
51	NUT	STEEL	435982-01	1	1	1	1	1	1	1	1	1
52	WASHER	-	435983-01	1	1	1	1	1	1	1	1	1
53	DISTRIBUTOR	AP-71412	439624-01	1	1	1	1	1	1	1	1	1
54	INSULATION - THERMISTOR (A)	PE FOAM	439368-01	1	1	1	1	1	1	-		
55	INSULATION - THERMISTOR (B)	PE FOAM	439368-02	1	1	1	1	1	1	-		
56	ELBOW	COPPER	417395-03	1	1	1	1	1	1	1	1	1
57	INSULATION TUBE	L=140	7762-2949	1	1	1	1	x1				
		L=140	7762-2943					o1	1	-		
58	INSULATION TUBE	L=540	7762-1330	1	1	1	1	x1				
		L=540	7762-2040					o1	1	-		
59	VALVE BODY	24	440351-01	1	1	1	1	1	1	1	1	1
60	COIL - VALVE	ADS-24HD-2	440355-01	1	1	1	1	1	1	1	1	1
61	BOLT	M4x0.7	440355F01	1	1	1	1	1	1	1	1	1



HA

KM-500MAE, MWE, MRE C. WATER CIRCUIT D-0, E-0, E-1, F-0, F-1, G-0, G-1, H-0, H-1

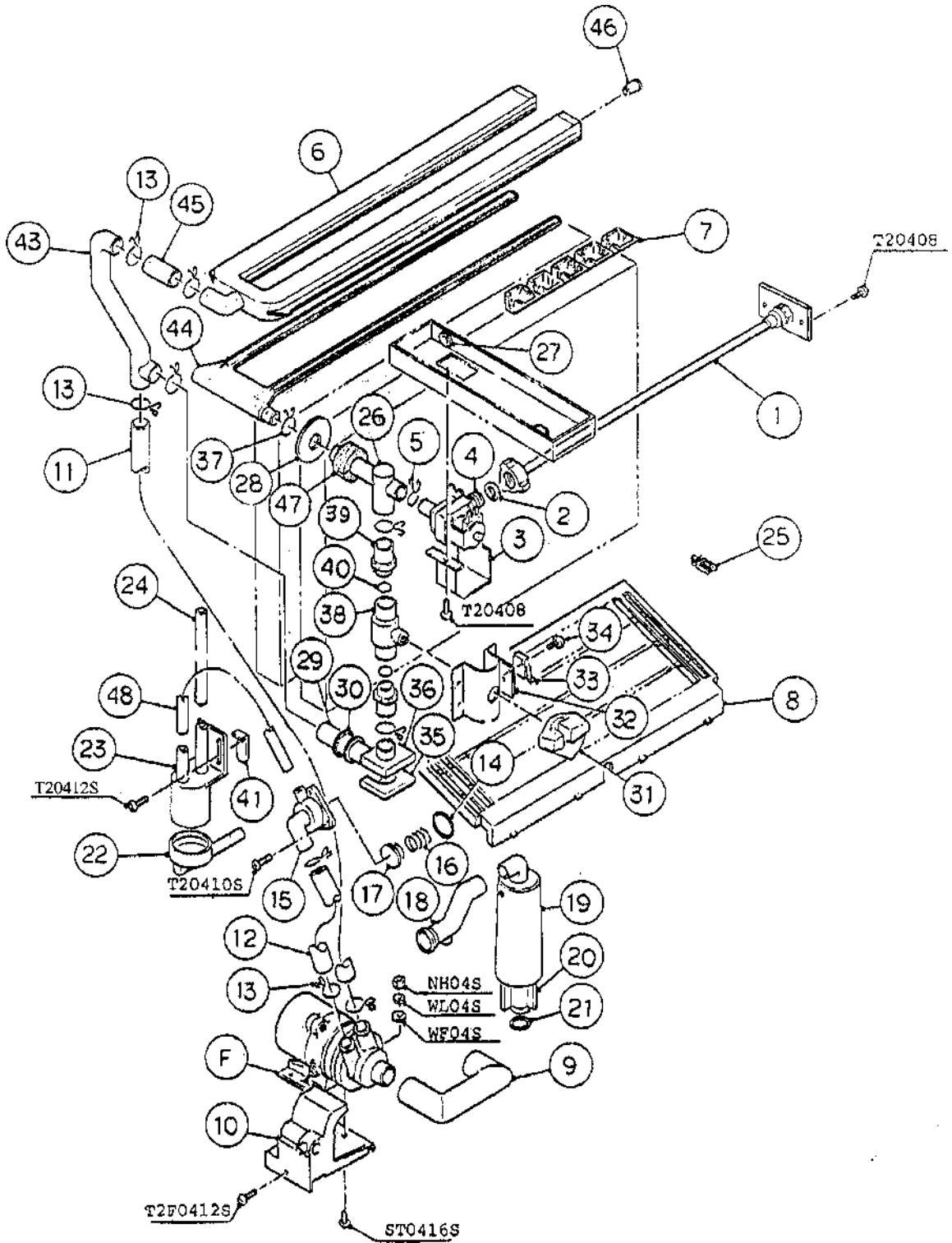


HA

KM-500MAE, MWE, MRE

C. WATER CIRCUIT

H-2, H-3, H-4, J-0



HA

MODEL: KM-500MAE TITLE: C. WATER CIRCUIT												
INDEX NO.	DESCRIPTION	MATERIAL OR MODEL NUMBER	PART NUMBER	REQUIRED NUMBER								
				C-1	D-0	E-0	E-1	F-0	F-1 G-0	G-1 H-0 H-1	H-2 H-3 H-4	J-0
F	PUMP MOTOR ASSEMBLY	(S-0613)	321444A01	1	1	1	1	1	1	1	1	1
1	WATER SUPPLY PIPE	COPPER	4A0207G01	1	x1							
		COPPER	4A0207G04		o1	1	-					
		COPPER	4A0768G04				1	1	1	1	1	1
2	RUBBER GASKET	NR	413854-01	x1								
		SI.R	413854-03	o1	1	1	1	1	1	1	1	1
3	WATER VALVE BRACKET	GS	321443-01	1	1	1	1	1	1	1	1	1
4	WATER VALVE	J248-033	3U011103	1	1	1	1	1	1	1	1	1
5	HOSE CLAMP	SS, 18 mm	427443-05	1	1	1	1	1	1	1	1	1
6	SPRAY TUBE	PE	1A0019-01	1	1	1	1	1	1	1	x1	
		PE	1A0260-01								o1	1
7	SPRAY GUIDE (A)	PE	208586-01	6	6	6	6	6	6	6	6	6
8	CUBE GUIDE	ABS	212088-01	1	1	1	1	1	1	1	1	1
9	SUCTION HOSE	EPDM	433466-01	1	1	1	1	1	1	1	1	1
10	PUMP MOTOR BRACKET	PC	211408-01	1	1	1	1	1	1	1	1	1
11	VINYL HOSE	L=450+10/-0	7716-2025	1	1	1	1	1	1	1	1	1
12	VINYL HOSE	L=110	7716-2025	1	1	1	1	1	1	1	1	1
13	HOSE CLAMP	SS, 25 mm	427443-03	7	9	9	9	9	9	9	9	9
14	"O" RING	1AG35	7611-G035	1	1	1	1	1	1	1	1	1
15	VALVE HOUSING - DRAIN	ABS	321001-01	1	1	1	1	1	1	1	1	1
16	SPRING	SS	322110-01	1	1	1	1	1	1	1	1	1
17	VALVE SHEET	EPDM	433705-01	1	1	1	1	1	1	1	1	1
18	DRAIN HOSE	EPDM	433468-01	1	1	1	1	1	x1			
		SANTOPRENE	433468-01						o1	1	1	1
19	OVERFLOW CAP	PE	321002-01	1	1	1	1	1	1	1	1	1
20	OVERFLOW PIPE	ABS	430722-03	1	1	1	1	1	1	1	1	1

HA

MODEL: KM-500MAE TITLE: C. WATER CIRCUIT													
INDEX NO.	DESCRIPTION	MATERIAL OR MODEL NUMBER	PART NUMBER	REQUIRED NUMBER									
				C-1	D-0 E-0	E-1 F-0	F-1 G-0	G-1	H-0 H-1	H-2	H-3	H-4 J-0	
21	"O" RING	1AP32	7611-P032	1	1	1	1	x1					
		-	4A1234-01					o1	1	1	1	1	
22	CONNECTOR - FLOAT SWITCH	EPDM	426799-01	1	1	1	1	1	1	1	1	1	
23	FLOAT SWITCH	FS-0893B-1	433535-02	1	1	1	x1						
		163795	4A0886-01				o1	1	1	1	1	1	
24	VINYL HOSE	L=140	7716-0913	2	2	2	2	2	x2				
	SILICONE HOSE	L=140	7730I3812						o2	1	1	1	
25	WIRE SADDLE	VWS4238-C	4A0338-02	4	4	4	4	4	4	4	4	4	
26	TEE	EPDM	4A0177-01	1	1	1	x1						
		SANTOPRENE	4A0177-01				o1	1	1	1	1	1	
27	BUSHING	OCB-750	428394-01	2	2	2	2	2	2	2	2	2	
28	FLANGE	EPDM	439267-01	1	1	1	1	1	1	1	1	1	
29	HOSE (B)	EPDM	436599-02	1	1	1	1	1	1	1	1	1	
30	RUBBER RING	TSE2571-5U	439236-01	1	1	1	x1						
		EPDM	439236-01				o1	1	1	1	1	1	
31	HANDLE	JH1352	215383-01	1	1	1	1	1	1	1	1	1	
32	VALVE HOLDER	GS	325825-01	1	1	1	1	1	1	1	x1		
		GS	3A1178-01								o1	1	
33	MICRO SWITCH	V3L-111-08	4A0365-01	1	1	1	1	1	1	1	1	1	
34	TAPPING SCREW	3x14	431415-02	2	2	2	2	2	2	2	2	2	
35	CORNER INSULATION (A)	PE FOAM	439376-01	1	1	1	1	1	1	1	1	1	
36	CORNER INSULATION (B)	PE FOAM	439392-01	1	1	1	1	1	1	1	1	1	
37	HOSE CLAMP	SS 20 mm	427443-06	1	1	1	1	1	1	1	1	1	
38	BALL VALVE	(S-0761), PVC	439293-01	1	1	1	1	1	1	1	1	1	
39	MALE ADAPTOR	ABS	325826-01	2	2	2	2	2	2	2	2	2	
40	"O" RING	1AP18	7611-P018	2	2	2	2	2	2	2	2	2	

HA

MODEL: KM-500MAE TITLE: C. WATER CIRCUIT												
INDEX NO.	DESCRIPTION	MATERIAL OR MODEL NUMBER	PART NUMBER	REQUIRED NUMBER								
				C-1	D-0 E-0	E-1 F-0	F-1 G-0	G-1	H-0 H-1	H-2	H-3	H-4 J-0
41	FLOAT SWITCH STOP	SS	4A0137-01	1	1	1	1	1	1	1	1	1
42	TIE	CV-200	7920-0010	2	-							
43	CONNECTING PIPE	PE	2A0088-01	1	1	1	1	1	1	1	1	1
44	WATER SUPPLY TUBE	PE	2A0079-01	1	1	1	1	1	1	1	1	1
45	VINYL HOSE	L=50	7716-2025	1	1	1	1	1	1	1	1	1
46	PLUG	EPDM	4A0176-01	2	2	2	2	2	2	2	2	2
47	INSULATION (E)	PE FOAM	4A0392-01	1	1	1	1	1	1	1	1	1
48	SILICONE HOSE	L=140	7730I3896							1	1	1

MODEL: KM-500MWE TITLE: C. WATER CIRCUIT												
INDEX NO.	DESCRIPTION	MATERIAL OR MODEL NUMBER	PART NUMBER	REQUIRED NUMBER								
				C-1	D-0	E-0	E-1	F-0 G-0	G-1 H-0 H-1	H-2	H-3 H-4	J-0
F	PUMP MOTOR ASSEMBLY	(S-0613)	321444A01	1	1	1	1	1	1	1	1	1
1	WATER SUPPLY PIPE	COPPER	4A0207G01	1	x1							
		COPPER	4A0207G04		o1	1	-					
		COPPER	4A0768G04				1	1	1	1	1	1
2	RUBBER GASKET	NR	413854-01	1	1	x1						
		SI.R	413854-03			o1	1	1	1	1	1	1
3	WATER VALVE BRACKET	GS	321443-01	1	1	1	1	1	1	1	1	1
4	WATER VALVE	J248-033	3U0111-03	1	1	1	1	1	1	1	1	1
5	HOSE CLAMP	SS, 18 mm	427443-05	1	1	1	1	1	1	1	1	1
6	SPRAY TUBE	PE	1A0019-01	1	1	1	1	1	1	x1		
		PE	1A0260-01							o1	1	1
7	SPRAY GUIDE (A)	PE	208586-01	6	6	6	6	6	6	6	6	6
8	CUBE GUIDE	ABS	212088-01	1	1	1	1	1	1	1	1	1
9	SUCTION HOSE	EPDM	433466-01	1	1	1	1	1	1	1	1	1
10	PUMP MOTOR BRACKET	PC	211408-01	1	1	1	1	1	1	1	1	1
11	VINYL HOSE	L=450+10/-0	7716-2025	1	1	1	1	1	1	1	1	1
12	VINYL HOSE	L=110	7716-2025	1	1	1	1	1	1	1	1	1
13	HOSE CLAMP	SS, 25 mm	427443-03	7	9	9	9	9	9	9	9	9
14	"O" RING	1AG35	7611-G035	1	1	1	1	1	1	1	1	1
15	VALVE HOUSING - DRAIN	ABS	321001-01	1	1	1	1	1	1	1	1	1
16	SPRING	SS	322110-01	1	1	1	1	1	1	1	1	1
17	VALVE SHEET	EPDM	433705-01	1	1	1	1	1	1	1	1	1
18	DRAIN HOSE	EPDM	433468-01	1	1	1	1	x1				
		SANTOPRENE	433468-01					o1	1	1	1	1
19	OVERFLOW CAP	PE	321002-01	1	1	1	1	1	1	1	1	1
20	OVERFLOW PIPE	ABS	430722-03	1	1	1	1	1	1	1	1	1

HA

MODEL: KM-500MWE TITLE: C. WATER CIRCUIT												
INDEX NO.	DESCRIPTION	MATERIAL OR MODEL NUMBER	PART NUMBER	REQUIRED NUMBER								
				C-1	D-0	E-0	E-1	F-0 G-0	G-1	H-0 H-1	H-2	H-3 H-4 J-0
21	"O" RING	1AP32	7611-P032	1	1	1	1	1	x1			
		-	4A1234-01						o1	1	1	1
22	CONNECTOR - FLOAT SWITCH	EPDM	426799-01	1	1	1	1	1	1	1	1	1
23	FLOAT SWITCH	FS-0893B-1	433535-02	1	1	1	1	x1				
		163795	4A0886-01					o1	1	1	1	1
24	VINYL HOSE	L=140	7716-0913	2	2	2	2	2	1	x2		
	SILICONE HOSE	L=140	7730I3812							o2	1	1
25	WIRE SADDLE	VWS4238-C	4A0338-02	4	4	4	4	4	4	4	4	4
26	TEE	EPDM	4A0177-01	1	1	1	1	x1				
		SANTOPRENE	4A0177-01					o1	1	1	1	1
27	BUSHING	OCB-750	428394-01	2	2	2	2	2	2	2	2	2
28	FLANGE	EPDM	439267-01	1	1	1	1	1	1	1	1	1
29	HOSE (B)	EPDM	436599-02	1	1	1	1	1	1	1	1	1
30	RUBBER RING	TSE2571-5U	439236-01	1	1	1	1	x1				
		EPDM	439236-01					o1	1	1	1	1
31	HANDLE	JH1352	215383-01	1	1	1	1	1	1	1	1	1
32	VALVE HOLDER	GS	325825-01	1	1	1	1	1	1	1	1	x1
		GS	3A1178-01									o1
33	MICRO SWITCH	V3L-111-08	4A0365-01	1	1	1	1	1	1	1	1	1
34	TAPPING SCREW	3x14	431415-02	2	2	2	2	2	2	2	2	2
35	CORNER INSULATION (A)	PE FOAM	439376-01	1	1	1	1	1	1	1	1	1
36	CORNER INSULATION (B)	PE FOAM	439392-01	1	1	1	1	1	1	1	1	1
37	HOSE CLAMP	SS 20 mm	427443-06	1	1	1	1	1	1	1	1	1
38	BALL VALVE	(S-0761),	439293-01	1	1	1	1	1	1	1	1	1
		PVC										

HA

MODEL: KM-500MWE TITLE: C. WATER CIRCUIT												
INDEX NO.	DESCRIPTION	MATERIAL OR MODEL NUMBER	PART NUMBER	REQUIRED NUMBER								
				C-1	D-0	E-0	E-1	F-0 G-0	G-1	H-0 H-1	H-2	H-3 H-4 J-0
39	MALE ADAPTOR	ABS	325826-01	2	2	2	2	2	2	2	2	2
40	"O" RING	1AP18	7611-P018	2	2	2	2	2	2	2	2	2
41	FLOAT SWITCH STOP	SS	4A0137-01	1	1	1	1	1	1	1	1	1
42	TIE	CV-200	7920-0010	2	-							
43	CONNECTING PIPE	PE	2A0088-01	1	1	1	1	1	1	1	1	1
44	WATER SUPPLY TUBE	PE	2A0079-01	1	1	1	1	1	1	1	1	1
45	VINYL HOSE	L=50	7716-2025	1	1	1	1	1	1	1	1	1
46	PLUG	EPDM	4A0176-01	2	2	2	2	2	2	2	2	2
47	INSULATION (E)	PE FOAM	4A0392-01	1	1	1	1	1	1	1	1	1
48	SILICONE HOSE	L=140	7730I3896								1	1

MODEL: KM-500MRE TITLE: C. WATER CIRCUIT												
INDEX NO.	DESCRIPTION	MATERIAL OR MODEL NUMBER	PART NUMBER	REQUIRED NUMBER								
				C-1	D-0	E-0	E-1	F-0 G-0	G-1 H-0 H-1	H-2	H-3 H-4	J-0
F	PUMP MOTOR ASSEMBLY	(S-0613)	321444A01	1	1	1	1	1	1	1	1	1
1	WATER SUPPLY PIPE	COPPER	4A0207G01	1	x1							
		COPPER	4A0207G04		o1	1	-					
		COPPER	4A0768G04				1	1	1	1	1	1
2	RUBBER GASKET	NR	413854-01	x1								
		SI.R	413854-03	o1	1	1	1	1	1	1	1	1
3	WATER VALVE BRACKET	GS	321443-01	1	1	1	1	1	1	1	1	1
4	WATER VALVE	J248-033	3U0111-03	1	1	1	1	1	1	1	1	1
5	HOSE CLAMP	SS, 18 mm	427443-05	1	1	1	1	1	1	1	1	1
6	SPRAY TUBE	PE	1A0019-01	1	1	1	1	1	1	x1		
		PE	1A0260-01							o1	1	1
7	SPRAY GUIDE (A)	PE	208586-01	6	6	6	6	6	6	6	6	6
8	CUBE GUIDE	ABS	212088-01	1	1	1	1	1	1	1	1	1
9	SUCTION HOSE	EPDM	433466-01	1	1	1	1	1	1	1	1	1
10	PUMP MOTOR BRACKET	PC	211408-01	1	1	1	1	1	1	1	1	1
11	VINYL HOSE	L=450+10/-0	7716-2025	1	1	1	1	1	1	1	1	1
12	VINYL HOSE	L=110	7716-2025	1	1	1	1	1	1	1	1	1
13	HOSE CLAMP	SS, 25 mm	427443-03	7	9	9	9	9	9	9	9	9
14	"O" RING	1AG35	7611-G035	1	1	1	1	1	1	1	1	1
15	VALVE HOUSING - DRAIN	ABS	321001-01	1	1	1	1	1	1	1	1	1
16	SPRING	SS	322110-01	1	1	1	1	1	1	1	1	1
17	VALVE SHEET	EPDM	433705-01	1	1	1	1	1	1	1	1	1
18	DRAIN HOSE	EPDM	433468-01	1	1	1	1	x1				
		SANTOPRENE	433468-01					o1	1	1	1	1
19	OVERFLOW CAP	PE	321002-01	1	1	1	1	1	1	1	1	1
20	OVERFLOW PIPE	ABS	430722-03	1	1	1	1	1	1	1	1	1

MODEL: KM-500MRE TITLE: C. WATER CIRCUIT												
INDEX NO.	DESCRIPTION	MATERIAL OR MODEL NUMBER	PART NUMBER	REQUIRED NUMBER								
				C-1	D-0	E-0	E-1	F-0 G-0	G-1	H-0 H-1	H-2	H-3 H-4 J-0
21	"O" RING	1AP32	7611-P032	1	1	1	1	1	x1			
		-	4A1234-01						o1	1	1	1
22	CONNECTOR - FLOAT SWITCH	EPDM	426799-01	1	1	1	1	1	1	1	1	1
23	FLOAT SWITCH	FS-0893B-1	433535-02	1	1	1	1	x1				
		163795	4A0886-01					o1	1	1	1	1
24	VINYL HOSE	L=140	7716-0913	2	2	2	2	2	1	x2		
	SILICONE HOSE	L=140	7730I3812							o2	1	1
25	WIRE SADDLE	VWS4238-C	4A0338-02	4	4	4	4	4	4	4	4	4
26	TEE	EPDM	4A0177-01	1	1	1	1	x1				
		SANTOPRENE	4A0177-01					o1	1	1	1	1
27	BUSHING	OCB-750	428394-01	2	2	2	2	2	2	2	2	2
28	FLANGE	EPDM	439267-01	1	1	1	1	1	1	1	1	1
29	HOSE (B)	EPDM	436599-02	1	1	1	1	1	1	1	1	1
30	RUBBER RING	TSE2571-5U	439236-01	1	1	1	1	x1				
		EPDM	439236-01					o1	1	1	1	1
31	HANDLE	JH1352	215383-01	1	1	1	1	1	1	1	1	1
32	VALVE HOLDER	GS	325825-01	1	1	1	1	1	1	1	1	x1
		GS	3A1178-01									o1
33	MICRO SWITCH	V3L-111-08	4A0365-01	1	1	1	1	1	1	1	1	1
34	TAPPING SCREW	3x14	431415-02	2	2	2	2	2	2	2	2	2
35	CORNER INSULATION (A)	PE FOAM	439376-01	1	1	1	1	1	1	1	1	1
36	CORNER INSULATION (B)	PE FOAM	439392-01	1	1	1	1	1	1	1	1	1
37	HOSE CLAMP	SS 20 mm	427443-06	1	1	1	1	1	1	1	1	1
38	BALL VALVE	(S-0761), PVC	439293-01	1	1	1	1	1	1	1	1	1

HA

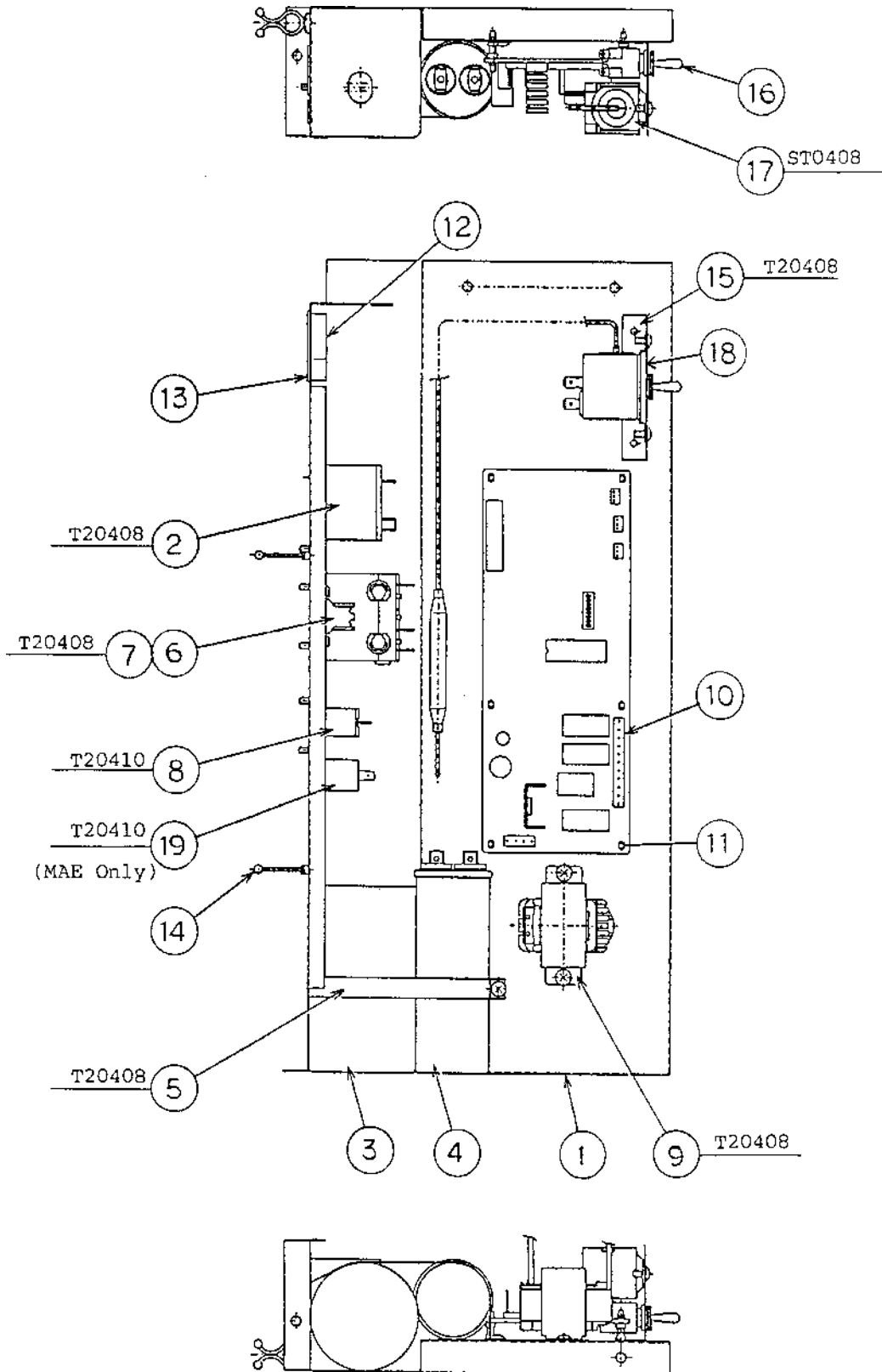
MODEL: KM-500MRE TITLE: C. WATER CIRCUIT												
INDEX NO.	DESCRIPTION	MATERIAL OR MODEL NUMBER	PART NUMBER	REQUIRED NUMBER								
				C-1	D-0	E-0	E-1	F-0 G-0	G-1	H-0 H-1	H-2	H-3 H-4 J-0
39	MALE ADAPTOR	ABS	325826-01	2	2	2	2	2	2	2	2	2
40	"O" RING	1AP18	7611-P018	2	2	2	2	2	2	2	2	2
41	FLOAT SWITCH STOP	SS	4A0137-01	1	1	1	1	1	1	1	1	1
42	TIE	CV-200	7920-0010	2	-							
43	CONNECTING PIPE	PE	2A0088-01	1	1	1	1	1	1	1	1	1
44	WATER SUPPLY TUBE	PE	2A0079-01	1	1	1	1	1	1	1	1	1
45	VINYL HOSE	L=50	7716-2025	1	1	1	1	1	1	1	1	1
46	PLUG	EPDM	4A0176-01	2	2	2	2	2	2	2	2	2
47	INSULATION (E)	PE FOAM	4A0392-01	1	1	1	1	1	1	1	1	1
48	SILICONE HOSE	L=140	7730I3896								1	1

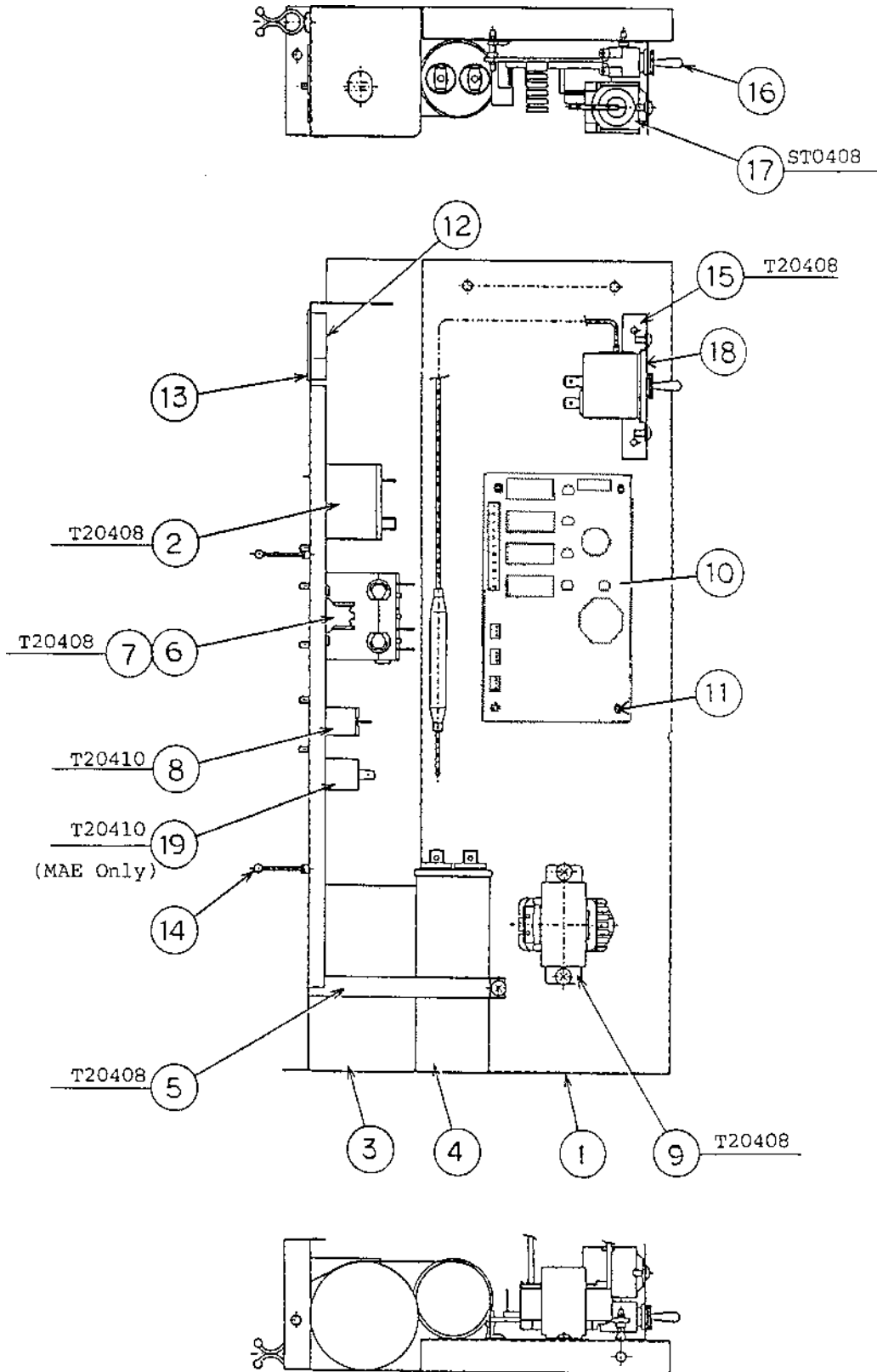
HA

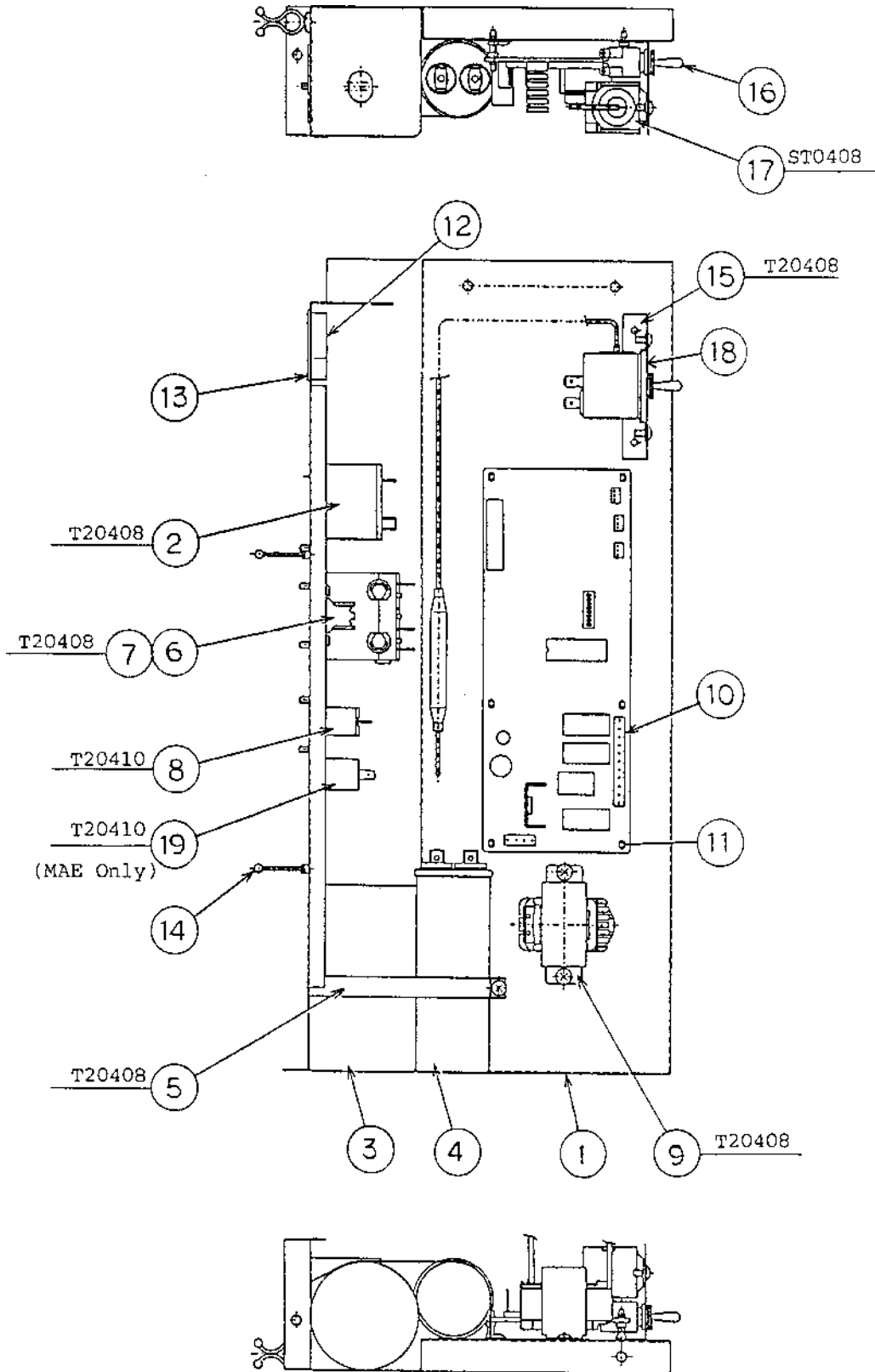
KM-500MAE, MWE, MRE

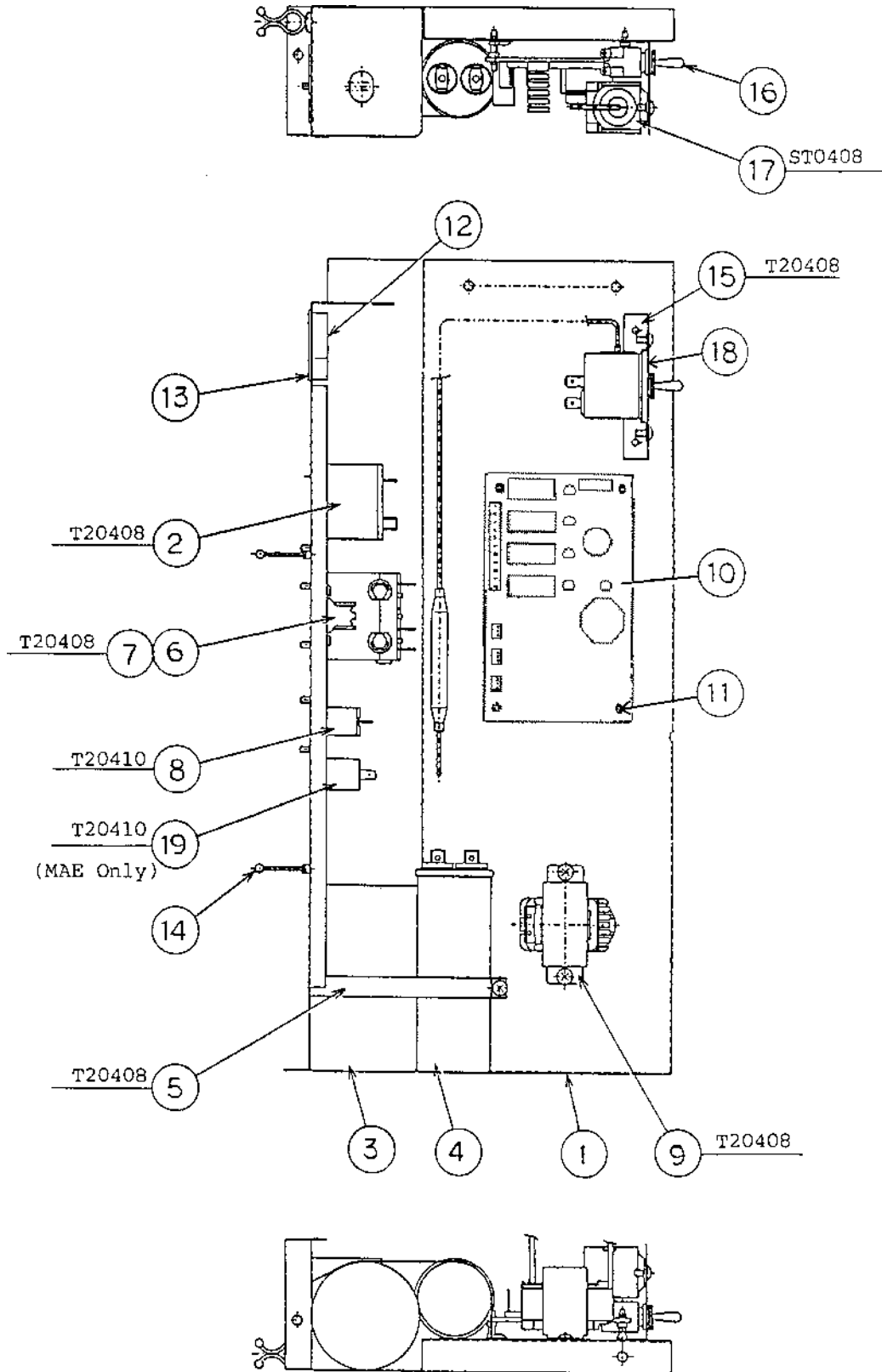
D. CONTROL BOX ASSEMBLY

C-1, D-0, E-0, E-1, F-0,
F-1, G-0, G-1, H-0









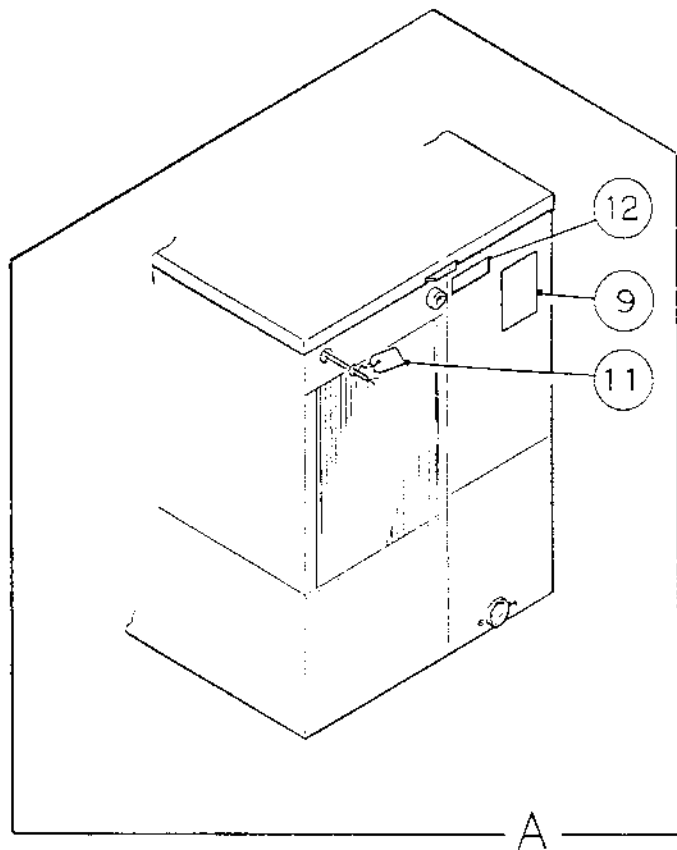
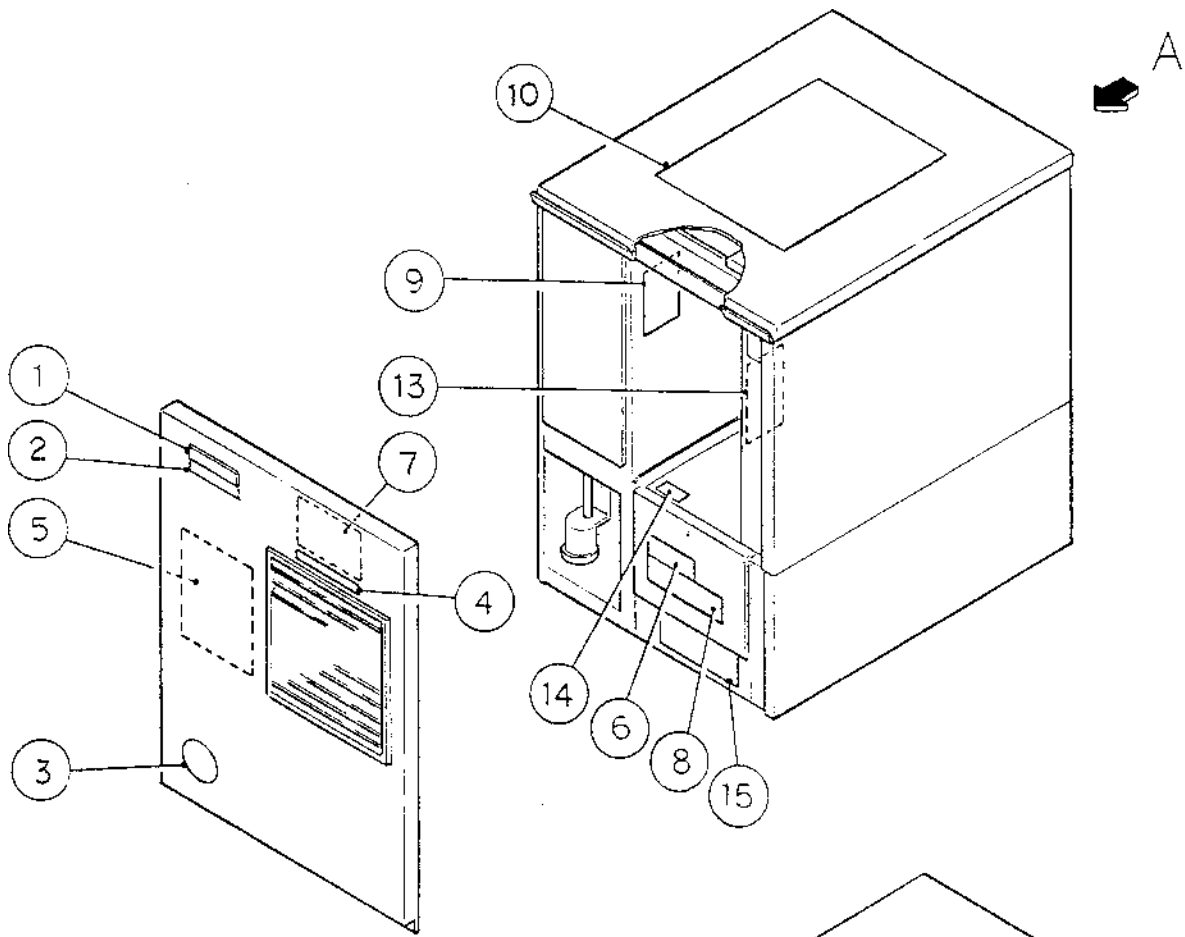
MODEL: KM-500MAE, MWE, MRE TITLE: D. CONTROL BOX ASSEMBLY												
INDEX NO.	DESCRIPTION	MATERIAL OR MODEL NUMBER	PART NUMBER	REQUIRED NUMBER								
				C-1	D-0	E-0	E-1	F-0 F-1 G-0	G-1 H-0	H-1 H-2	H-3	H-4 J-0
1	CONTROL BOX	GS	332464G01	1	1	1	1	1	1	1	1	1
2	STARTER	-	434923-01	1	1	1	1	1	1	1	1	1
3	CAPACITOR – STARTING	88-108 MFD 250v	3A0076-03	1	1	1	1	1	1	1	1	1
4	CAPACITOR	X386S(HG08)	439943-06	1	1	1	1	1	1	1	1	1
5	STRAP	GS	434580-03	1	1	1	1	1	1	1	1	1
6	MAGNETIC CONTACTOR	VC20	428393-01	1	1	1	1	1	1	1	1	1
7	BRACKET	-	428393F01	1	1	1	1	1	1	1	1	1
8	CAPACITOR	5.5MFD 250V	443192-03	1	1	1	1	1	1	1	1	1
9	TRANSFORMER	-	3A0172-01	1	1	1	1	1	1	1	1	1
10	CONTROLLER BOARD	-	2U0127-01	1	1	1	1	1	1	-		
		-	2A0836-01							1	-	
		-	2U0127-01								1	-
		-	2A0836-01									1
11	BOARD SUPPORT	CBLS37-M	4A0336-03	6	6	6	6	6	6	4	6	4
12	BUSHING	SB-1093-15	420470-03	1	1	1	1	1	1	1	1	1
13	BUSHING	OCB-260	428394-02	1	1	1	1	1	1	1	1	1
14	WIRE SADDLE	VWS4238-C	4A0338-02	2	2	2	2	2	2	2	2	2
15	CONTROL BOX (C)	(4A0388A01) GS	446559-01	1	1	1	1	1	1	1	1	1
16	TOGGLE SWITCH	-	443119-01	1	1	1	1	1	1	1	1	1
17	THERMOSTAT	A30-3815-00	439678-01	1	1	x1						
		A30-3815-00				o1	x1					
		A30-3815-00	4A0824-01				o1	1	1	1	1	1
18	CONTROL LABEL	PES FILM	446542-01	1	1	1	1	1	1	1	1	1
19	CAPACITOR (KM-500MAE ONLY)	5MFD, 250V	443192-02	1	1	1	1	1	1	1	1	1

HA

KM-500MAE

E. LABEL LOCATION

C-1, D-0, E-0, E-1, F-0, F-1, G-0, G-1, H-0

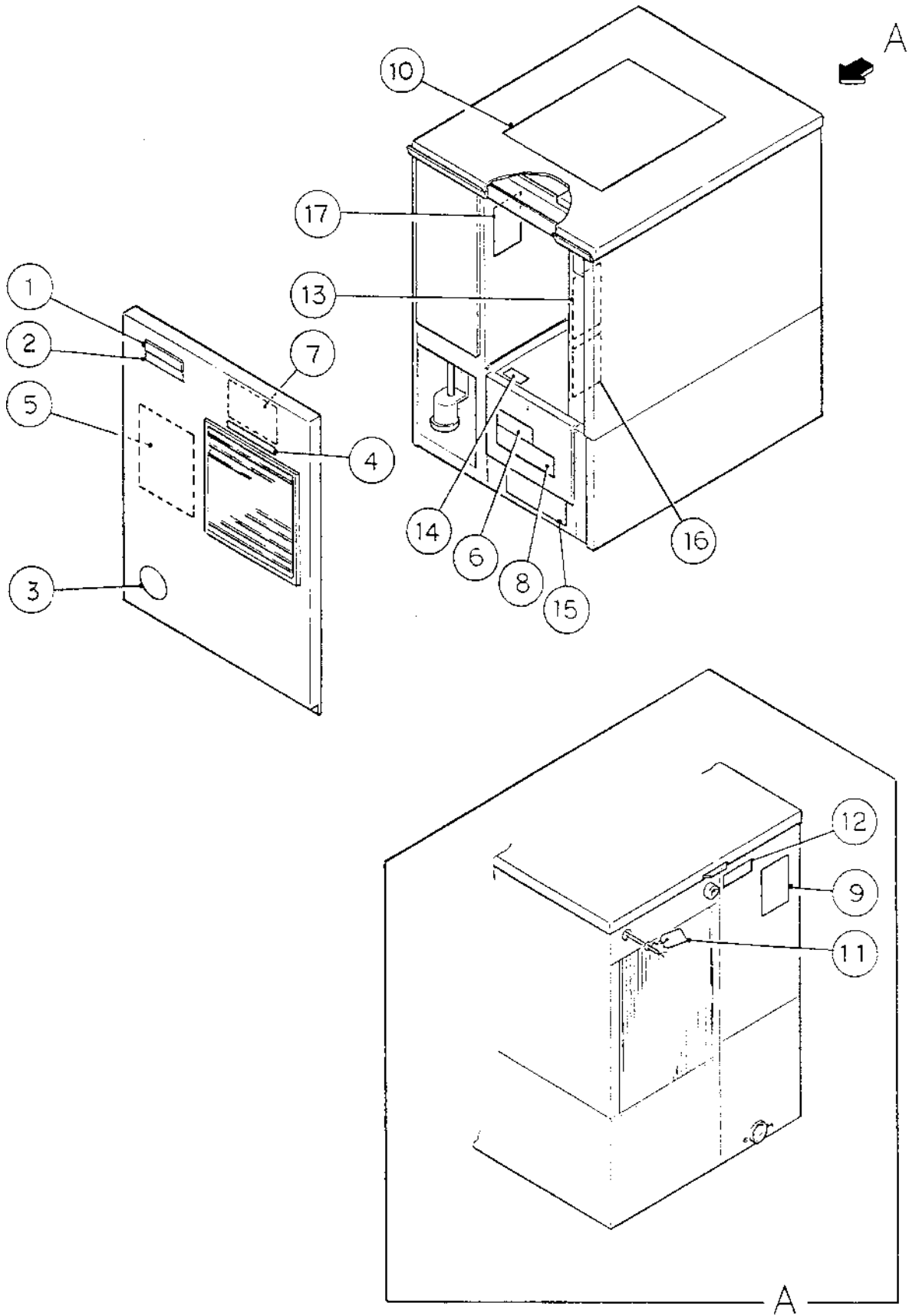


HA

KM-500MAE

E. LABEL LOCATION

H-1, H-2, H-3, H-4, J-0



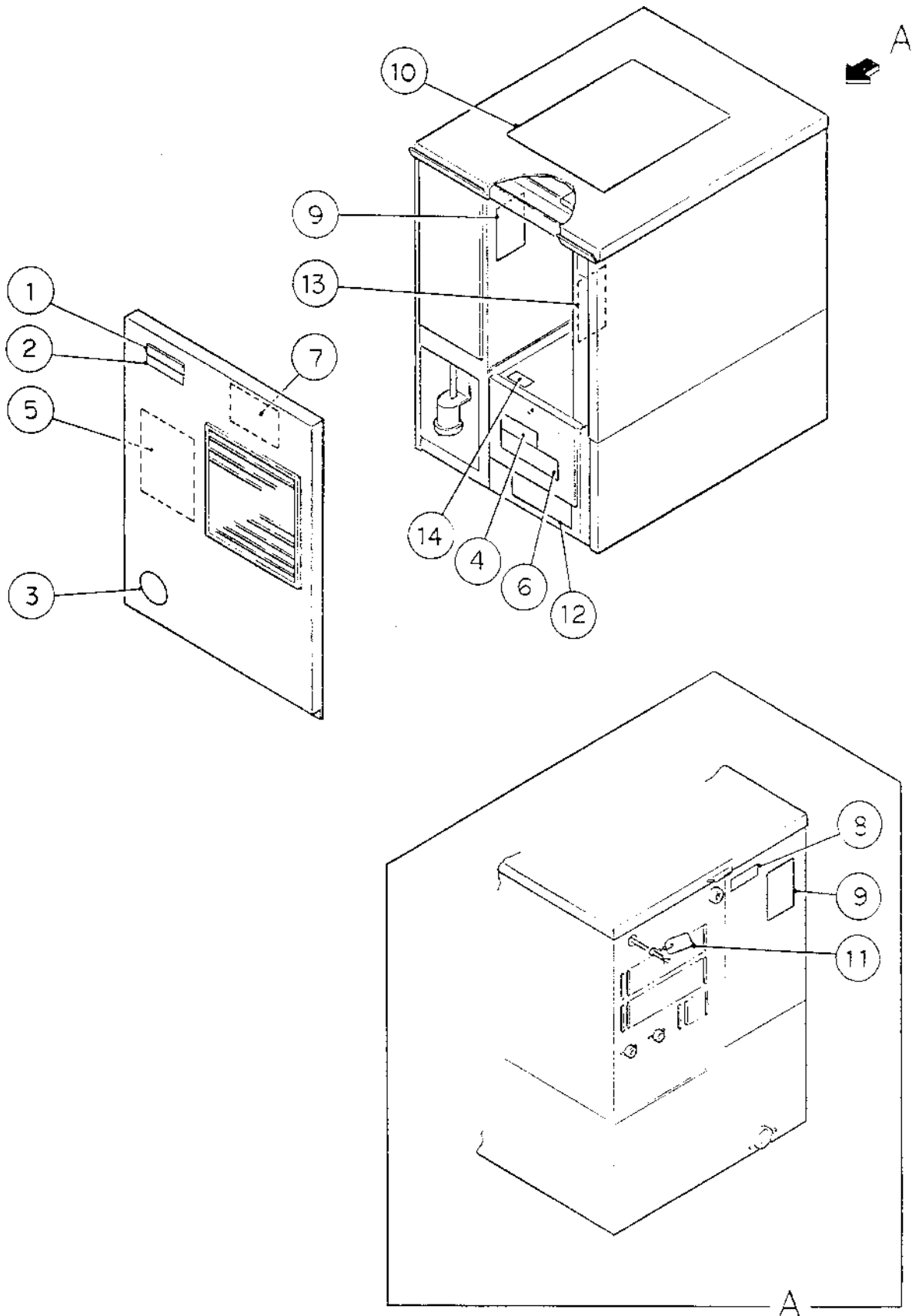
MODEL: KM-500MAE TITLE: E. LABEL LOCATION													
INDEX NO.	DESCRIPTION	MATERIAL OR MODEL NUMBER	PART NUMBER	REQUIRED NUMBER									
				C-1	D-0	E-0 E-1	F-0	F-1 G-0	G-1 H-0	H-1	H-2 H-3	H-4 J-0	
1	EMBLEM (L) - HOSHIZAKI	ABS	418634G01	1	1	1	1	x1					
	EMBLEM	PETP FILM	4A0560-01					o1	1	1	1	1	
2	MODEL NUMBER LABEL	PETP FILM	443341-19	1	1	1	1	1	1	1	1	1	
3	LABEL – PENGUIN (R)	PETP FILM	410994-01	1	1	1	1	x1					
	LABEL – PENGUIN – HA (R)	PETP FILM	4A0526-01					o1	1	1	1	1	
4	LABEL – AIR FILTER	PETP FILM	426177-01	1	1	1	1	1	1	1	1	1	
5	MAINTENANCE LABEL	PVC FILM	326218-01	1	1	1	1	1	1	1	1	1	
6	CAUTION LABEL (F)	PVC FILM	439146-01	1	1	1	1	1	1	1	1	1	
7	WIRING LABEL	PVC FILM	3A0267-01	1	1	1	1	1	1	1	1	1	
8	CAUTION LABEL (K)	PVC FILM	439150-01	1	1	1	1	1	1	1	1	1	
9	NAMEPLATE	PES FILM	446566-01	2	2	2	2	2	2	1	1	1	
10	INSTRUCTION SHEET	PAPER	218077-01	1	1	1	1	1	1	1	1	1	
11	TAG – WARNING: ELECTRICAL CONNECTION	PAPER	435005-01	1	1	1	1	1	1	1	1	1	
12	INSTRUCTION LABEL	PVC FILM	444575-01	1	1	1	1	1	1	1	1	1	
13	MANUAL LABEL	PVC FILM	446564-01	1	1	1	1	1	1	1	1	1	
14	LABEL – R22	PES FILM	440362-01	1	1	1	1	1	1	1	1	1	
15	OPERATION LABEL – VALVE	PVC FILM	439541-01	1	1	1	1	1	1	1	1	1	
16	LABEL – CONTROL BOARD	PVC FILM	3A0998-01							1	1	1	
17	RATING LABEL	PES FILM	4A1601-01							1	1	1	

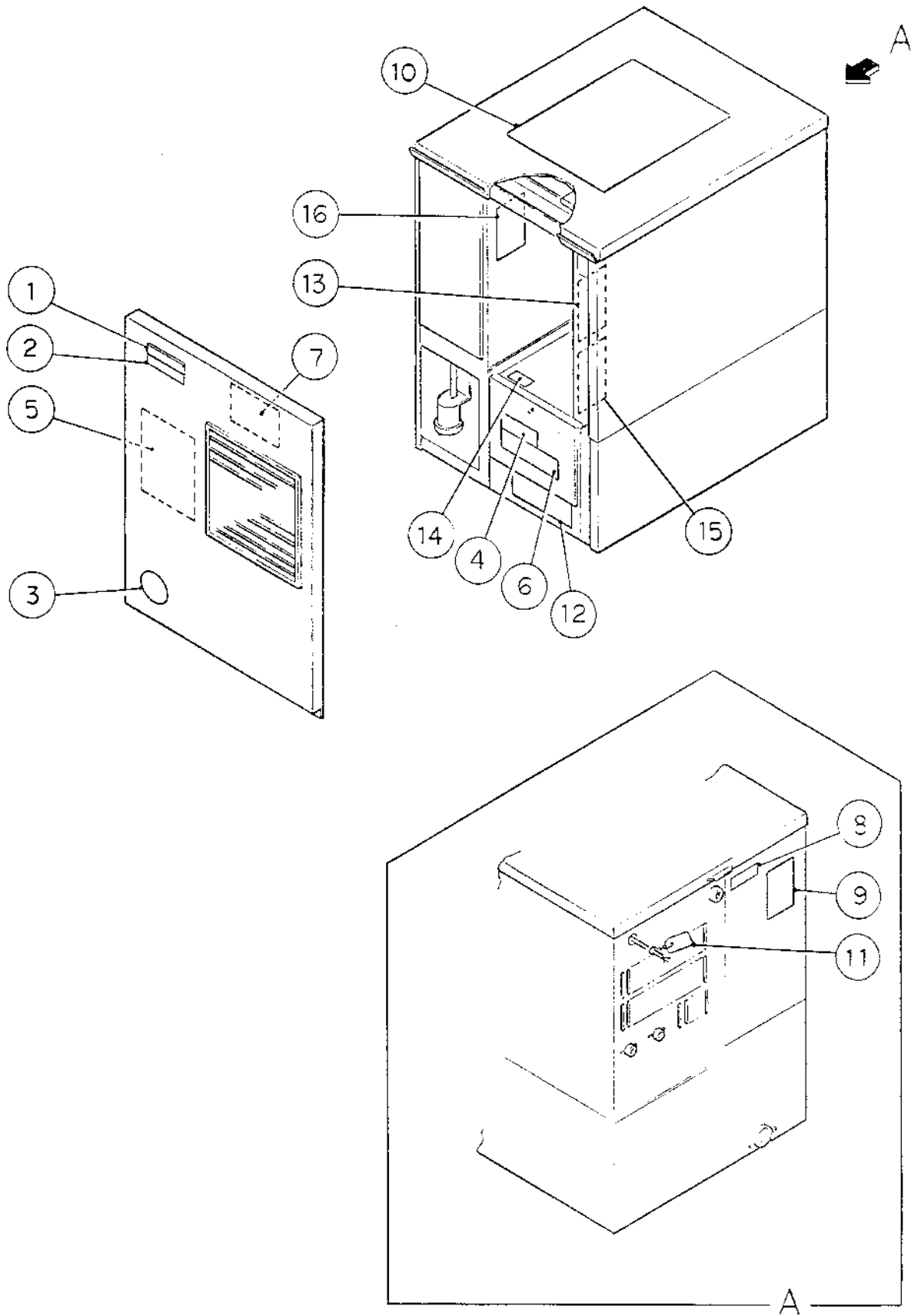
HA

KM-500MWE

E. LABEL LOCATION

C-1, D-0, E-0, E-1, F-0, G-0, G-1, H-0





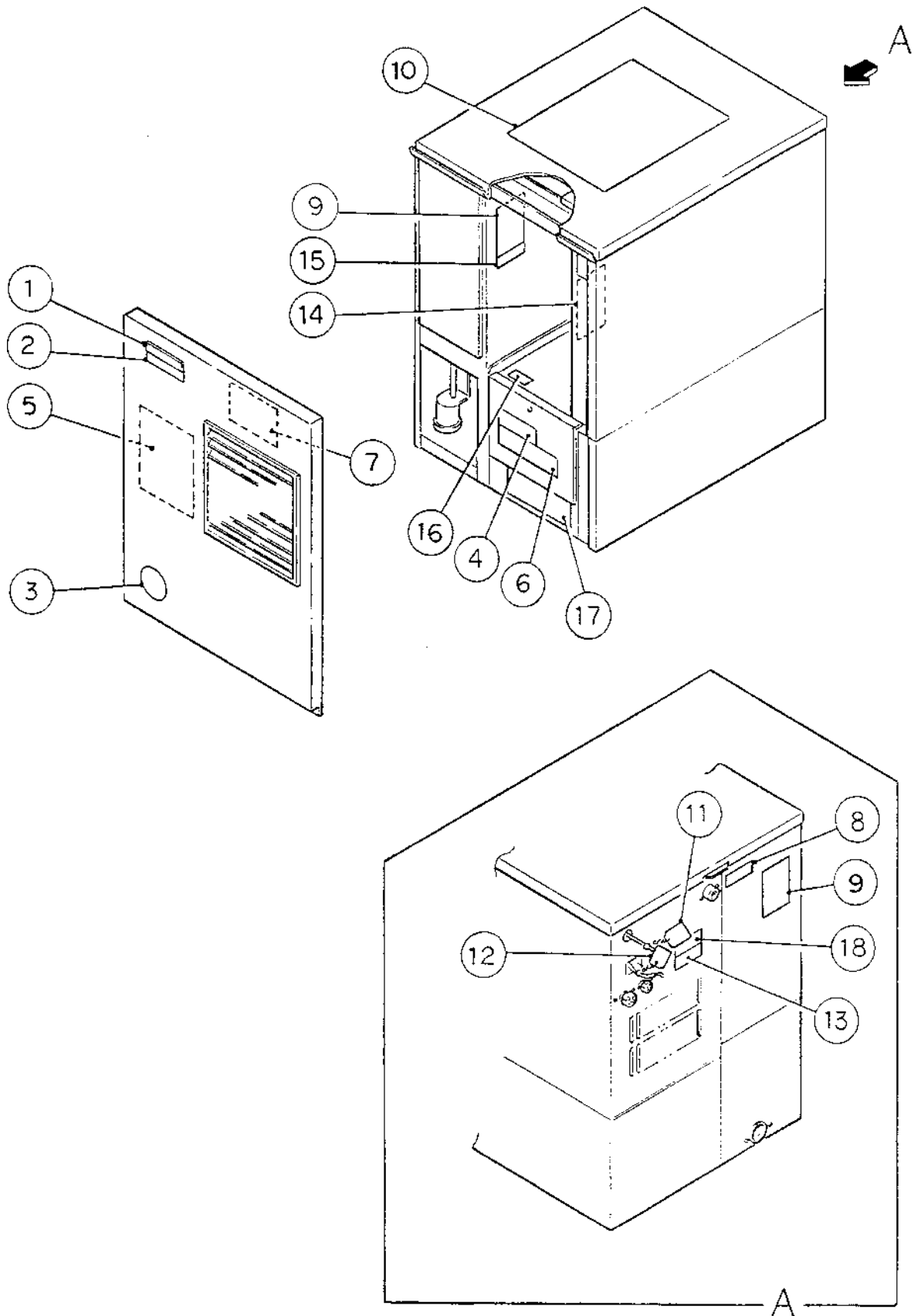
MODEL: KM-500MWE TITLE: E. LABEL LOCATION													
INDEX NO.	DESCRIPTION	MATERIAL OR MODEL NUMBER	PART NUMBER	REQUIRED NUMBER									
				C-1	D-0	E-0 E-1	F-0	G-0	G-1 H-0	H-1	H-2 H-3	H-4 J-0	
1	EMBLEM (L) - HOSHIZAKI	ABS	418634G01	1	1	1	x1						
	EMBLEM	PETP FILM	4A0560-01				o1	1	1	1	1	1	
2	MODEL NUMBER LABEL	PETP FILM	443341-20	1	1	1	1	1	1	1	1	1	
3	LABEL – PENGUIN (R)	PETP FILM	410994-01	1	1	1	x1						
	LABEL – PENGUIN – HA (R)	PETP FILM	4A0526-01				o1	1	1	1	1	1	
4	CAUTION LABEL (F)	PVC FILM	439146-01	1	1	1	1	1	1	1	1	1	
5	MAINTENANCE LABEL	PVC FILM	326218-01	1	1	1	1	1	1	1	1	1	
6	CAUTION LABEL (K)	PVC FILM	439150-01	1	1	1	1	1	1	1	1	1	
7	WIRING LABEL	PVC FILM	332451-01	1	1	1	1	1	1	1	1	1	
8	INSTRUCTION LABEL	PVC FILM	444575-01	1	1	1	1	1	1	1	1	1	
9	NAMEPLATE	PES FILM	446567-01	2	2	2	2	2	2	1	1	1	
10	INSTRUCTION SHEET	PAPER	218077-01	1	1	1	1	1	1	1	1	1	
11	TAG – WARNING: ELECTRICAL CONNECTION	PAPER	435005-01	1	1	1	1	1	1	1	1	1	
12	OPERATION LABEL – VALVE	PVC FILM	439541-01	1	1	1	1	1	1	1	1	1	
13	MANUAL LABEL	PVC FILM	446564-01	1	1	1	1	1	1	1	1	1	
14	LABEL – R22	PES FILM	440362-01	1	1	1	1	1	1	1	1	1	
15	LABEL – CONTROL BOARD	PVC FILM	3A0998-01							1	1	1	
16	RATING LABEL	PES FILM	4A1603-01							1	1	1	

HA

KM-500MRE

E. LABEL LOCATION

C-1, D-0, E-0, E-1, F-0, G-0, G-1, H-0

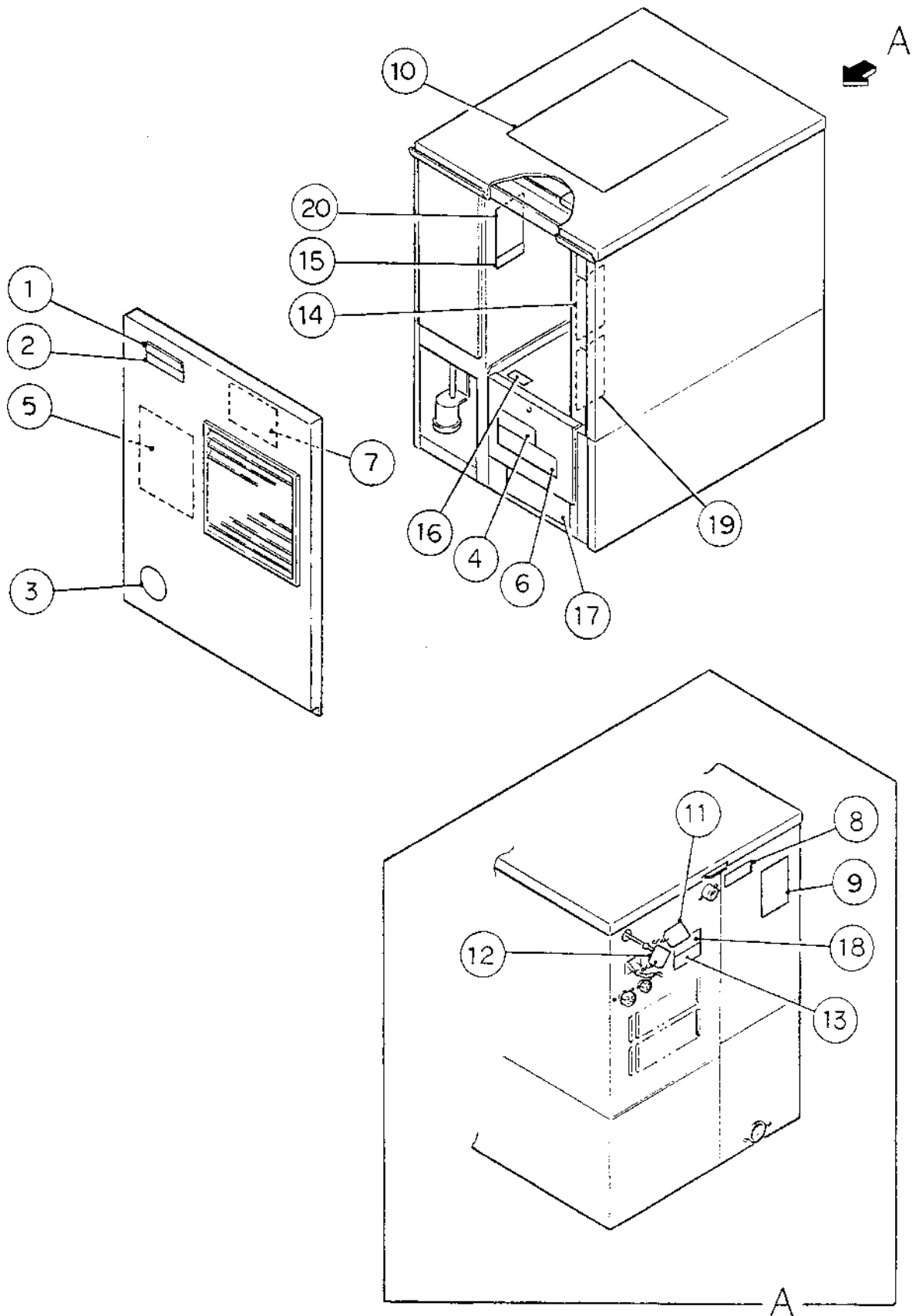


HA

KM-500MRE

E. LABEL LOCATION

H-1, H-2, H-3, H-4, J-0



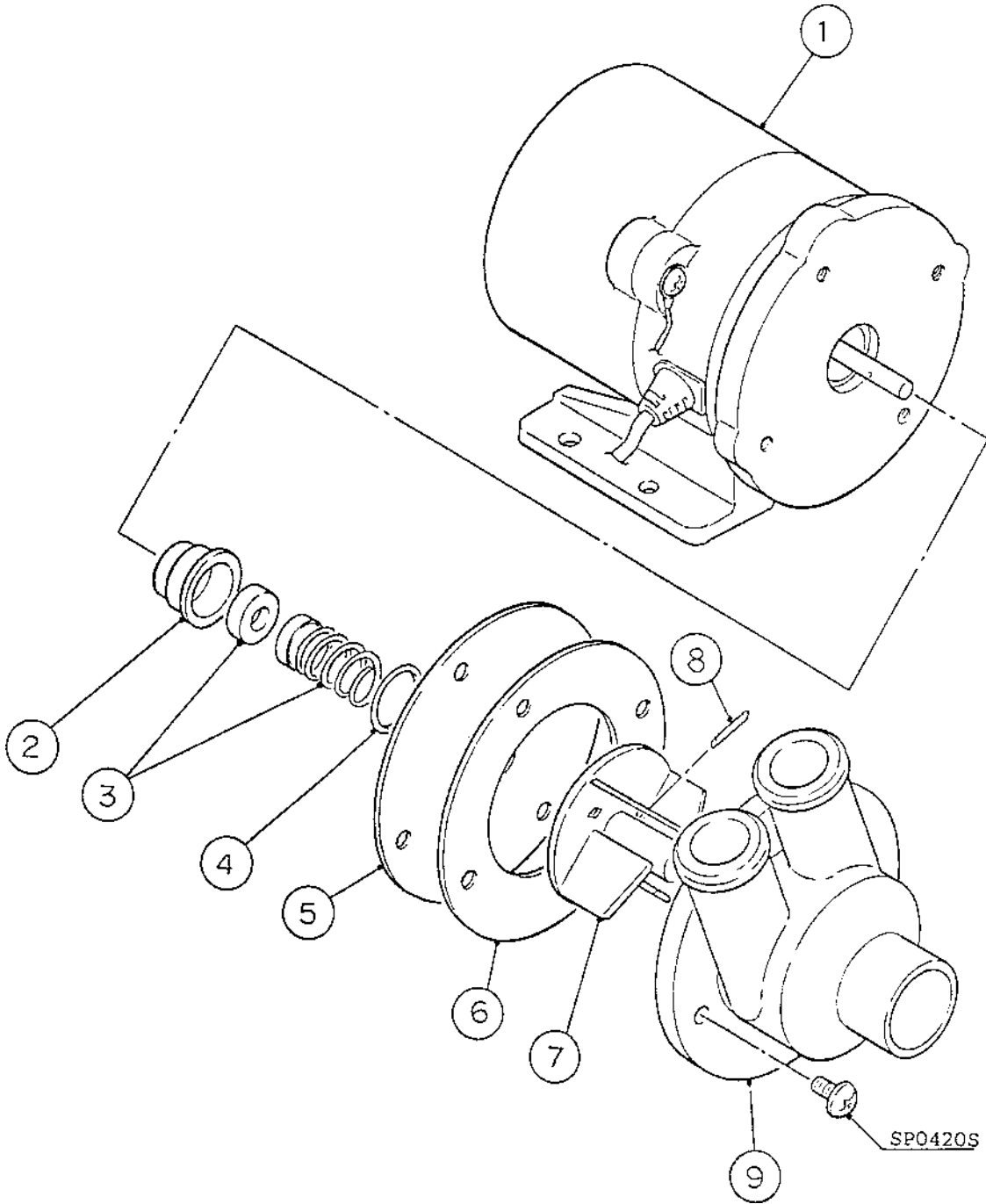
MODEL: KM-500MRE TITLE: E. LABEL LOCATION													
INDEX NO.	DESCRIPTION	MATERIAL OR MODEL NUMBER	PART NUMBER	REQUIRED NUMBER									
				C-1	D-0	E-0 E-1	F-0	G-0	G-1 H-0	H-1	H-2 H-3	H-4 J-0	
1	EMBLEM (L) - HOSHIZAKI	ABS	418634G01	1	1	1	x1						
	EMBLEM	PETP FILM	4A0560-01				o1	1	1	1	1	1	
2	MODEL NUMBER LABEL	PETP FILM	443341-21	1	1	1	1	1	1	1	1	1	
3	LABEL – PENGUIN (R)	PETP FILM	410994-01	1	1	1	x1						
	LABEL – PENGUIN – HA (R)	PETP FILM	4A0526-01				o1	1	1	1	1	1	
4	CAUTION LABEL (F)	PVC FILM	439146-01	1	1	1	1	1	1	1	1	1	
5	MAINTENANCE LABEL	PVC FILM	326218-01	1	1	1	1	1	1	1	1	1	
6	CAUTION LABEL (K)	PVC FILM	439150-01	1	1	1	1	1	1	1	1	1	
7	WIRING LABEL	PVC FILM	332452-01	1	1	1	1	1	1	1	1	1	
8	INSTRUCTION LABEL	PVC FILM	444575-01	1	1	1	1	1	1	1	1	1	
9	NAMEPLATE	PES FILM	446568-01	2	2	2	2	2	2	1	1	1	
10	INSTRUCTION SHEET	PAPER	218077-01	1	1	1	1	1	1	1	1	1	
11	TAG – WARNING: ELECTRICAL CONNECTION	PAPER	435005-01	1	1	1	1	1	1	1	1	1	
12	TAG – FAN MOTOR LEADS	PAPER	420742-01	1	1	1	1	1	1	1	1	1	
13	CAUTION LABEL	PVC FILM	441890-01	1	1	1	1	1	1	1	1	1	
14	MANUAL LABEL	PVC FILM	446564-01	1	1	1	1	1	1	1	1	1	
15	LABEL – CHARGE	PES FILM	443221-08	1	1	1	1	1	1	1	1	1	
16	LABEL – R22	PES FILM	440362-01	1	1	1	1	1	1	1	1	1	
17	OPERATION LABEL – VALVE	PVC FILM	439541-01	1	1	1	1	1	1	1	1	1	
18	LABEL – CONNECTION	PVC FILM	438234-01	1	1	1	1	1	1	1	1	1	
19	LABEL – CONTROL BOARD	PVC FILM	3A0998-01							1	1	1	
20	RATING LABEL	PES FILM	4A1602-01							1	1	1	

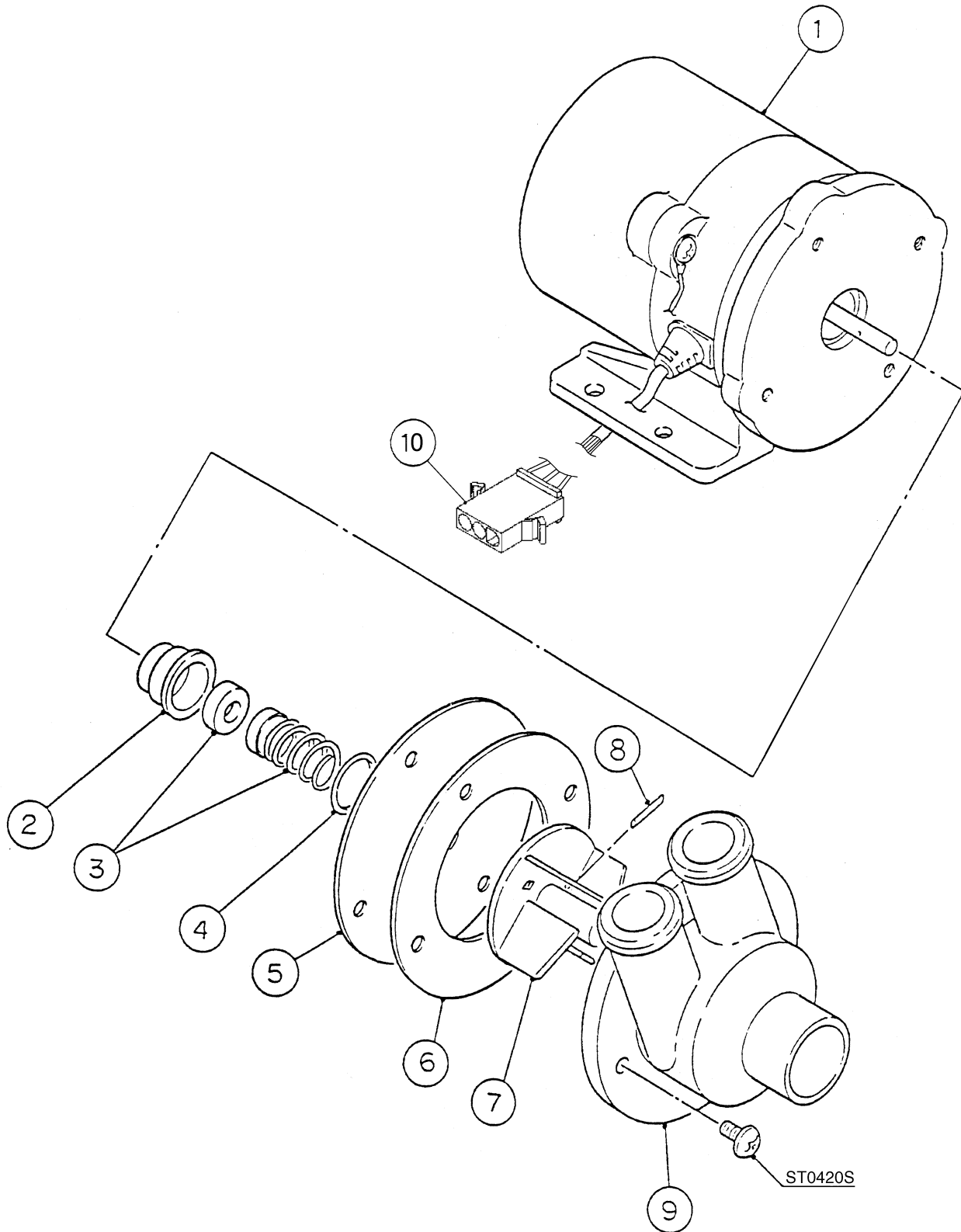
HA

KM-500MAE, MWE, MRE

F. PUMP MOTOR ASSEMBLY

C-1, D-0, E-0, E-1, F-0,
F-1, G-0, G-1, H-0, H-1,
H-2, H-3, H-4





MODEL: KM-500MAE, MWE, MRE TITLE: F. PUMP MOTOR ASSEMBLY												
INDEX NO.	DESCRIPTION	MATERIAL OR MODEL NUMBER	PART NUMBER	REQUIRED NUMBER								
				C-1	D-0	E-0 E-1	F-0 F-1	G-0	G-1 H-0	H-1 H-2	H-3 H-4	J-0
1	PUMP MOTOR	AP-TA4(H) 120V	2U0095-01	1	1	1	1	1	1	1	1	1
2	RETAINER	SS	418584-01	1	1	1	1	1	1	1	1	1
3	MECHANICAL SEAL (B)	H5-PS9, 5	415817-01	1	1	1	1	1	1	1	1	1
4	"O" RING	1AP18	7611-P018	1	1	1	1	1	1	1	1	1
5	PLATE – PUMP	SS	403013-01	1	1	1	1	1	1	1	1	1
6	PUMP GASKET	NR	403014-01	1	1	1	1	1	1	1	1	1
7	IMPELLER	ABS	433522-01	1	1	1	1	1	1	1	1	1
8	PIN	SS	414102-01	1	x1							
		SS	4A0648-01		o1	x1						
		SS	414102-01			o1	1	1	1	1	1	1
9	PUMP HOUSING	ABS	211409-01	1	1	1	1	1	1	1	1	1
10	PLUG HOUSING	-	412832-06									1

HA

KM-500MAE, MWE, MRE

G. ACCESSORIES

C-1, D-0, E-0, E-1, F-0, F-1, G-0,
G-1, G-2, H-0, H-1, H-2, H-3, H-4,
J-0

