



**HOSHIZAKI
MODULAR CRESCENT CUBER**

**MODEL KM-500MAE
KM-500MWE
KM-500MRE**

SERVICE MANUAL

FOREWORD

IMPORTANT

Only qualified service technicians should attempt to service or maintain this icemaker. No such service or maintenance should be undertaken until the technician has thoroughly read this Service Manual.

HOSHIZAKI provides this manual primarily to assist qualified service technicians in the service and maintenance of the icemaker.

Should the reader have any questions or concerns which have not been satisfactorily addressed, please call or write to the HOSHIZAKI Care Department for assistance.

HOSHIZAKI AMERICA, INC.
618 Highway 74 South
Peachtree City, GA 30269

Attn: HOSHIZAKI Care Department

Phone: 1-800-233-1940 Technical Service
(770) 487-2331
Fax: (770) 487-3360

NOTE: To expedite assistance, all correspondence/communication **MUST** include the following information:

- Model Number
- Serial Number
- Complete and detailed explanation of the problem

- Please review this manual. It should be read carefully before the icemaker is serviced or maintenance operations performed. Only qualified service technicians should service and maintain the icemaker. This manual should be made available to the technician prior to service or maintenance.

CONTENTS

	PAGE
I. SPECIFICATIONS	1
1. KM-500MAE (Air-cooled)	1
2. KM-500MWE (Water-cooled)	2
3. KM-500MRE (Remote air-cooled)	3
4. CONDENSER UNIT, URC 6E	4
II. GENERAL INFORMATION	6
1. CONSTRUCTION	6
[a] KM-500MAE (Air-cooled)	6
[b] KM-500MWE (Water-cooled)	7
[c] KM-500MRE (Remote air-cooled)	8
2. CONTROLLER BOARD	9
[a] SOLID-STATE CONTROL	9
[b] CONTROLLER BOARD	9
[c] SEQUENCE	12
[d] CONTROLS AND ADJUSTMENTS	15
[e] CHECKING CONTROLLER BOARD	18
III. TECHNICAL INFORMATION	20
1. WATER CIRCUIT AND REFRIGERANT CIRCUIT	20
[a] KM-500MAE (Air-cooled)	20
[b] KM-500MWE (Water-cooled)	21
[c] KM-500MRE (Remote air-cooled)	22
2. WIRING DIAGRAMS	23
[a] KM-500MAE (Air-cooled)	23
[b] KM-500MWE (Water-cooled)	24
[c] KM-500MRE (Remote air-cooled)	25
3. TIMING CHART	26
4. PERFORMANCE DATA	28
[a] KM-500MAE (Air-cooled)	28
[b] KM-500MWE (Water-cooled)	29
[c] KM-500MRE (Remote air-cooled)	30
IV. SERVICE DIAGNOSIS	31
1. NO ICE PRODUCTION	31
2. EVAPORATOR IS FROZEN UP	34
3. LOW ICE PRODUCTION	34
4. ABNORMAL ICE	35
5. OTHERS	35

V. REMOVAL AND REPLACEMENT OF COMPONENTS	36
1. SERVICE FOR REFRIGERANT LINES.....	36
[a] REFRIGERANT RECOVERY	36
[b] EVACUATION AND RECHARGE	36
2. BRAZING	37
3. REMOVAL AND REPLACEMENT OF COMPRESSOR	37
4. REMOVAL AND REPLACEMENT OF DRIER.....	39
5. REMOVAL AND REPLACEMENT OF EXPANSION VALVE.....	39
6. REMOVAL AND REPLACEMENT OF HOT GAS VALVE AND LINE VALVE.....	40
7. REMOVAL AND REPLACEMENT OF EVAPORATOR	42
8. REMOVAL AND REPLACEMENT OF WATER-REGULATING VALVE - WATER COOLED MODEL ONLY	43
9. ADJUSTMENT OF WATER-REGULATING VALVE - WATER COOLED MODEL ONLY	44
10. REMOVAL AND REPLACEMENT OF CONDENSING PRESSURE REGULATOR (C.P.R.) - REMOTE AIR-COOLED MODEL ONLY	45
11. REMOVAL AND REPLACEMENT OF THERMISTOR	46
12. REMOVAL AND REPLACEMENT OF FAN MOTOR	47
13. REMOVAL AND REPLACEMENT OF WATER VALVE	48
14. REMOVAL AND REPLACEMENT OF PUMP MOTOR.....	48
15. REMOVAL AND REPLACEMENT OF SPRAY TUBES.....	49
VI. MAINTENANCE AND CLEANING INSTRUCTIONS	50
1. PREPARING THE ICEMAKER FOR LONG STORAGE	50
2. CLEANING AND SANITIZING PROCEDURES.....	52
[a] CLEANING PROCEDURE	53
[b] SANITIZING PROCEDURE	55
3. MAINTENANCE	56

I. SPECIFICATIONS

1. KM-500MAE

AC SUPPLY VOLTAGE	115/60/1																									
AMPERAGE	13 A (5 Min. Freeze AT 104° F / WT 80° F)																									
MINIMUM CIRCUIT AMPACITY	20A																									
MAXIMUM FUSE SIZE	20A																									
APPROX. ICE PRODUCTION REFERENCE PER 24 HR.	<table border="1"> <thead> <tr> <th rowspan="2">Ambient Temp. (°F)</th> <th colspan="3">Water Temp. (°F)</th> </tr> <tr> <th>50</th> <th>70</th> <th>90</th> </tr> </thead> <tbody> <tr> <td>70</td> <td>*470 (214)</td> <td>435(197)</td> <td>410 (186)</td> </tr> <tr> <td>80</td> <td>440 (200)</td> <td>400 (181)</td> <td>370 (168)</td> </tr> <tr> <td>90</td> <td>405 (184)</td> <td>*370 (168)</td> <td>330 (150)</td> </tr> <tr> <td>100</td> <td>375 (170)</td> <td>340 (154)</td> <td>290 (132)</td> </tr> </tbody> </table>			Ambient Temp. (°F)	Water Temp. (°F)			50	70	90	70	*470 (214)	435(197)	410 (186)	80	440 (200)	400 (181)	370 (168)	90	405 (184)	*370 (168)	330 (150)	100	375 (170)	340 (154)	290 (132)
Ambient Temp. (°F)	Water Temp. (°F)																									
	50	70	90																							
70	*470 (214)	435(197)	410 (186)																							
80	440 (200)	400 (181)	370 (168)																							
90	405 (184)	*370 (168)	330 (150)																							
100	375 (170)	340 (154)	290 (132)																							
lbs./day (kg./day)																										
Reference without *marks																										
SHAPE OF ICE	Crescent Cube																									
ICE PRODUCTION PER CYCLE	10.4 lbs (4.7 kg.) 480 pcs.																									
APPROXIMATE STORAGE CAPACITY	N/A																									
ELECTRIC & WATER CONSUMPTION	90°F/70°F	70°F/50°F																								
ELECTRIC W (KWH/100 lbs.)	1360 (8.8)	1310 (6.7)																								
WATER gal./24 HR. (gal./100 lbs.)	100 (27.0)	207 (44.0)																								
EXTERIOR DIMENSIONS (WxDxH)	22"x27-3/8"x30-5/16" (560x695x770 mm.)																									
EXTERIOR FINISH	Stainless steel, Galvanized Steel (Rear)																									
WEIGHT	Net 150 lbs. (68 kg.), Shipping 170 lbs. (77 kg.)																									
CONNECTIONS - ELECTRIC	Permanent Connection																									
- WATER SUPPLY	Inlet 1/2" FPT																									
- DRAIN	Outlet 3/4" FPT 3/8" ID Pipe																									
CUBE CONTROL SYSTEM	Float Switch																									
HARVESTING CONTROL SYSTEM	Hot Gas and Water, Thermistor and Timer																									
ICE MAKING WATER CONTROL	Timer Controlled, Overflow Pipe																									
COOLING WATER CONTROL	N/A																									
BIN CONTROL SYSTEM	Thermostat																									
COMPRESSOR	Hermetic, Model RSN6-0075-CAA																									
CONDENSER	Air-cooled, Fin and Tube type																									
EVAPORATOR	Vertical type, Stainless Steel and Copper																									
REFRIGERANT CONTROL	Thermostatic Expansion Valve																									
REFRIGERANT CHARGE	R22, 1 lb. 8 oz. (680 g)																									
DESIGN PRESSURE	High 427 PSIG, Low 206 PSIG																									
P.C. BOARD CIRCUIT PROTECTION	High Voltage Cut-out (Internal)																									
COMPRESSOR PROTECTION	Auto-reset Overload Protector (Internal)																									
REFRIGERANT CIRCUIT PROTECTION	Auto-reset High Pressure Control Switch																									
LOW WATER PROTECTION	Float Switch																									
ACCESSORIES - SUPPLIED	N/A																									
- REQUIRED	Ice Storage Bin																									
OPERATION CONDITIONS	VOLTAGE RANGE	104 - 127 V																								
	AMBIENT TEMP.	45 - 100° F																								
	WATER SUPPLY TEMP.	45 - 90° F																								
	WATER SUPPLY PRESS.	10 - 113 PSIG																								

* We reserve the right to make changes in specifications and design without prior notice.

2. KM-500MWE

AC SUPPLY VOLTAGE	115/60/1																									
AMPERAGE	12 A (5 Min. Freeze AT 104° F / WT 80° F)																									
MINIMUM CIRCUIT AMPACITY	20A																									
MAXIMUM FUSE SIZE	20A																									
APPROX. ICE PRODUCTION REFERENCE PER 24 HR	<table border="1"> <thead> <tr> <th rowspan="2">Ambient Temp. (°F)</th> <th colspan="3">Water Temp. (°F)</th> </tr> <tr> <th>50</th> <th>70</th> <th>90</th> </tr> </thead> <tbody> <tr> <td>70</td> <td>*470 (214)</td> <td>445 (202)</td> <td>390 (177)</td> </tr> <tr> <td>80</td> <td>460 (209)</td> <td>435 (197)</td> <td>380 (173)</td> </tr> <tr> <td>90</td> <td>450 (205)</td> <td>*430 (196)</td> <td>365 (166)</td> </tr> <tr> <td>100</td> <td>440 (200)</td> <td>405 (184)</td> <td>345 (156)</td> </tr> </tbody> </table>			Ambient Temp. (°F)	Water Temp. (°F)			50	70	90	70	*470 (214)	445 (202)	390 (177)	80	460 (209)	435 (197)	380 (173)	90	450 (205)	*430 (196)	365 (166)	100	440 (200)	405 (184)	345 (156)
Ambient Temp. (°F)	Water Temp. (°F)																									
	50	70	90																							
70	*470 (214)	445 (202)	390 (177)																							
80	460 (209)	435 (197)	380 (173)																							
90	450 (205)	*430 (196)	365 (166)																							
100	440 (200)	405 (184)	345 (156)																							
lbs./day (kg./day)																										
Reference without *marks																										
SHAPE OF ICE	Crescent Cube																									
ICE PRODUCTION PER CYCLE	10.4 lbs. (4.7 kg.) 480 pcs.																									
APPROXIMATE STORAGE CAPACITY	N/A																									
ELECTRIC & WATER CONSUMPTION	90°F/70°F	70°F/50°F																								
ELECTRIC W (KWH/100 lbs.)	1260 (7.0)	1200 (6.1)																								
WATER gal./24 HR. (gal./100 lbs.)	126 (30.0)	220 (46.8)																								
WATER COOLED CONDENSER gal./24 HR. (gal./100 lbs.)	674 (160.5)	440 (93.6)																								
EXTERIOR DIMENSIONS (WxDxH)	22"x27-3/8"x30-5/16" (560x695x770 mm.)																									
EXTERIOR FINISH	Stainless steel, Galvanized Steel (Rear)																									
WEIGHT	Net 146 lbs. (66 kg.), Shipping 170 lbs. (77 kg.)																									
CONNECTIONS - ELECTRIC	Permanent Connection																									
- WATER SUPPLY	Inlet 1/2" FPT	Cond. Inlet	1/2" FPT																							
- DRAIN	Outlet 3/4" FPT	Cond. Outlet	1/2" FPT																							
	3/8" ID Pipe																									
CUBE CONTROL SYSTEM	Float Switch																									
HARVESTING CONTROL SYSTEM	Hot Gas and Water, Thermistor and Timer																									
ICE MAKING WATER CONTROL	Timer Controlled, Overflow Pipe																									
COOLING WATER CONTROL	N/A																									
BIN CONTROL SYSTEM	Thermostat																									
COMPRESSOR	Hermetic, Model RSN6-0075-CAA																									
CONDENSER	Water-cooled, Tube in Tube type																									
EVAPORATOR	Vertical type, Stainless Steel and Copper																									
REFRIGERANT CONTROL	Thermostatic Expansion Valve																									
REFRIGERANT CHARGE	R22, 1 lb. (450 g)																									
DESIGN PRESSURE	High 395 PSIG, Low 206 PSIG																									
P.C. BOARD CIRCUIT PROTECTION	High Voltage Cut-out Relay (Internal)																									
COMPRESSOR PROTECTION	Auto-reset Overload Protector (Internal)																									
REFRIGERANT CIRCUIT PROTECTION	Auto-reset High Pressure Control Switch																									
LOW WATER PROTECTION	Float Switch																									
ACCESSORIES - SUPPLIED	N/A																									
- REQUIRED	Ice Storage Bin																									
OPERATION CONDITIONS	VOLTAGE RANGE	104 - 127 V																								
	AMBIENT TEMP.	45 - 100° F																								
	WATER SUPPLY TEMP.	45 - 90° F																								
	WATER SUPPLY PRESS.	10 - 113 PSIG																								

* We reserve the right to make changes in specifications and design without prior notice.

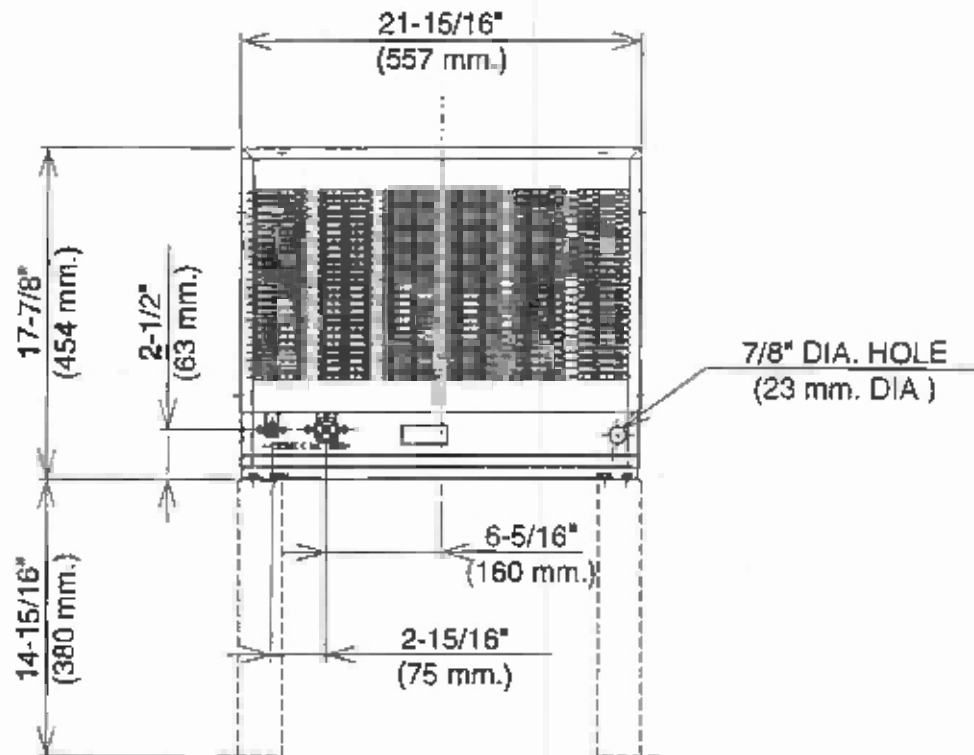
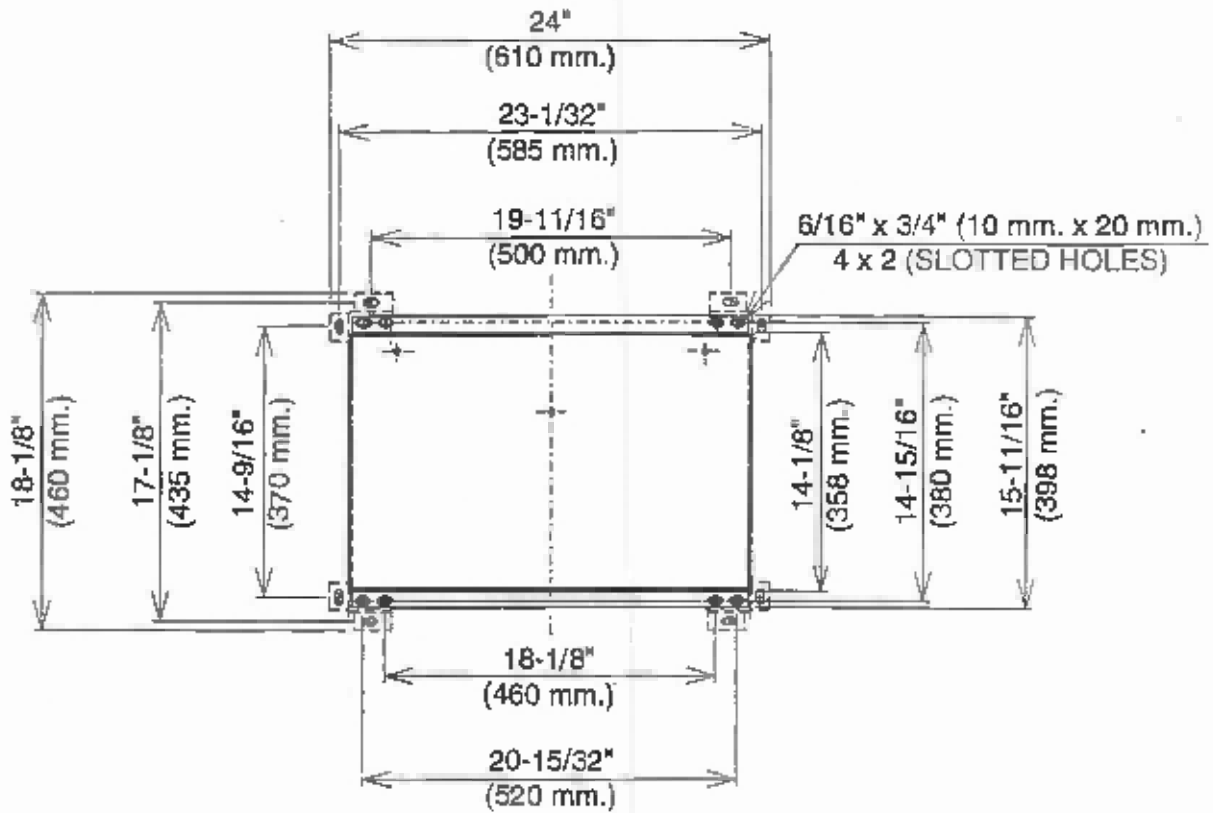
3. KM-500MRE

AC SUPPLY VOLTAGE	115/60/1																									
AMPERAGE	15 A (5 Min. Freeze AT 104° F / WT 80° F)																									
MINIMUM CIRCUIT AMPACITY	20A																									
MAXIMUM FUSE SIZE	20A																									
APPROX. ICE PRODUCTION REFERENCE PER 24 HR.	<table border="1"> <thead> <tr> <th rowspan="2">Ambient Temp. (°F)</th> <th colspan="3">Water Temp. (°F)</th> </tr> <tr> <th>50</th> <th>70</th> <th>90</th> </tr> </thead> <tbody> <tr> <td>70</td> <td>*450 (204)</td> <td>435 (197)</td> <td>415 (188)</td> </tr> <tr> <td>80</td> <td>420 (191)</td> <td>405 (184)</td> <td>385 (175)</td> </tr> <tr> <td>90</td> <td>390 (177)</td> <td>*380 (172)</td> <td>355 (161)</td> </tr> <tr> <td>100</td> <td>360 (163)</td> <td>350 (159)</td> <td>325 (147)</td> </tr> </tbody> </table>			Ambient Temp. (°F)	Water Temp. (°F)			50	70	90	70	*450 (204)	435 (197)	415 (188)	80	420 (191)	405 (184)	385 (175)	90	390 (177)	*380 (172)	355 (161)	100	360 (163)	350 (159)	325 (147)
Ambient Temp. (°F)	Water Temp. (°F)																									
	50	70	90																							
70	*450 (204)	435 (197)	415 (188)																							
80	420 (191)	405 (184)	385 (175)																							
90	390 (177)	*380 (172)	355 (161)																							
100	360 (163)	350 (159)	325 (147)																							
lbs./day (kg./day)																										
Reference without *marks																										
SHAPE OF ICE	Crescent Cube																									
ICE PRODUCTION PER CYCLE	10.4 lbs. (4.7 kg.) 480 pcs.																									
APPROXIMATE STORAGE CAPACITY	N/A																									
ELECTRIC & WATER CONSUMPTION	90°F/70°F	70°F/50°F																								
ELECTRIC W (KWH/100 lbs.)	1360 (8.6)	1300 (6.9)																								
WATER gal./24 HR. (gal./100 lbs.)	150 (39.5)	240 (53.3)																								
EXTERIOR DIMENSIONS (WxDxH)	22"x27-3/8"x30-5/16" (560x695x770 mm.)																									
EXTERIOR FINISH	Stainless steel. Galvanized Steel (Rear)																									
WEIGHT	Net 143 lbs. (65 kg.), Shipping 170 lbs. (77 kg.)																									
CONNECTIONS - ELECTRIC	Permanent Connection																									
- WATER SUPPLY	Inlet 1/2" FPT																									
- DRAIN	Outlet 3/4" FPT 3/8" ID Pipe																									
CUBE CONTROL SYSTEM	Float Switch																									
HARVESTING CONTROL SYSTEM	Hot Gas and Water, Thermistor and Timer																									
ICE MAKING WATER CONTROL	Timer Controlled. Overflow Pipe																									
COOLING WATER CONTROL	N/A																									
BIN CONTROL SYSTEM	Thermostat																									
COMPRESSOR	Hermetic. Model RSN6-0075-CAA																									
CONDENSER	Air-cooled remote. Condenser Unit URC-6E recommended																									
EVAPORATOR	Vertical type, Stainless Steel and Copper																									
REFRIGERANT CONTROL	Thermostatic Expansion Valve Condensing Pressure Regulator on URC-6E																									
REFRIGERANT CHARGE	R22. 4 lbs. (1800 g) (Icemaker 1 lbs. 14 oz.; Cond. unit 2 lbs. 2 oz.)																									
DESIGN PRESSURE	High 427 PSIG, Low 206 PSIG																									
P.C BOARD CIRCUIT PROTECTION	High Voltage Cut-out (Internal)																									
COMPRESSOR PROTECTION	Auto-reset Overload Protector (Internal)																									
REFRIGERANT CIRCUIT PROTECTION	Auto-reset High Pressure Control Switch																									
LOW WATER PROTECTION	Float Switch																									
ACCESSORIES - SUPPLIED	N/A																									
- REQUIRED	Ice Storage Bin, Remote Condenser Unit																									
OPERATION CONDITIONS	VOLTAGE RANGE	104 - 127 V																								
	AMBIENT TEMP.	45 - 100° F																								
	WATER SUPPLY TEMP.	45 - 90° F																								
	WATER SUPPLY PRESS.	10 - 113 PSIG																								

* We reserve the right to make changes in specifications and design without prior notice.

4. CONDENSER UNIT

URC-6E



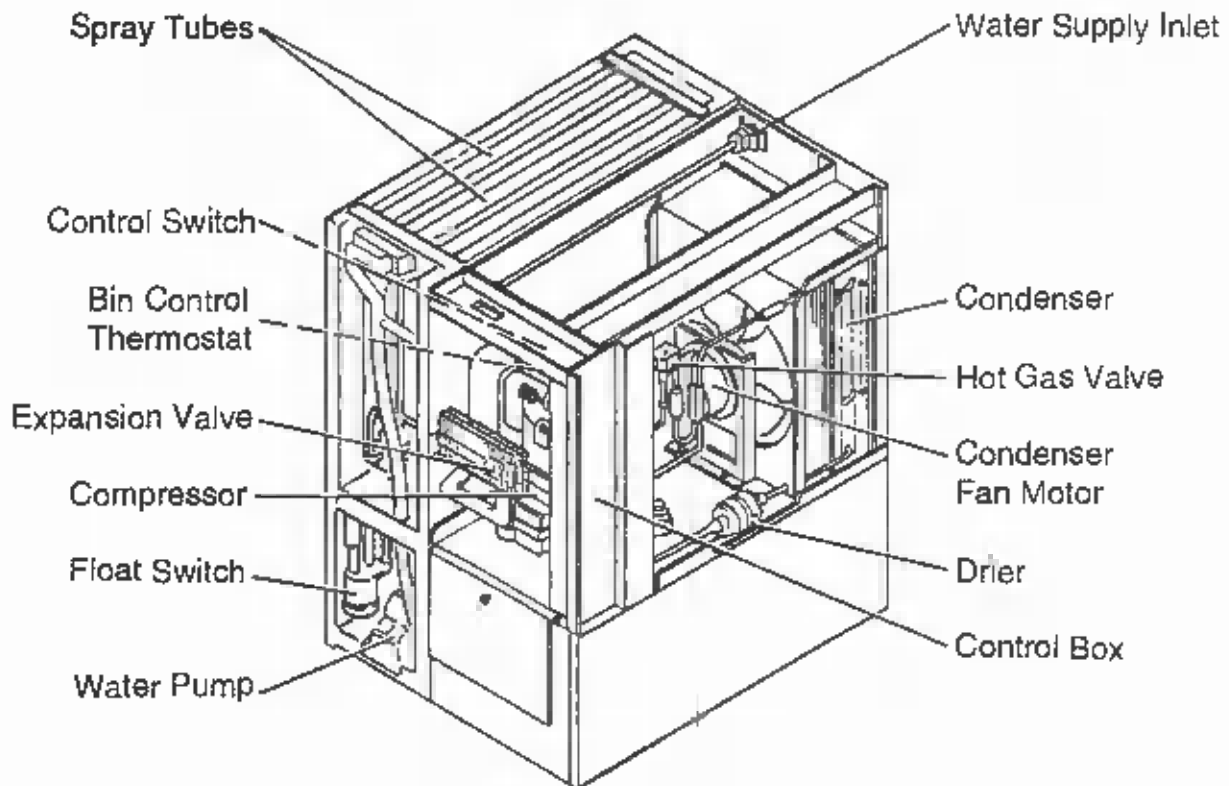
SPECIFICATIONS

MODEL: URC-6E	
EXTERIOR	Galvanized Steel
DIMENSIONS (W x D x H)	21-15/16" x 15-11/16" x 17-7/8" (557 x 398 x 453.8 mm.)
REFRIGERANT CHARGE	R22 2 lbs. 2 oz. (950 g)
WEIGHT	Net 61 lbs. (28 kg) Shipping 68 lbs. (31 kg)
CONNECTIONS REFRIGERANT ELECTRICAL	One Shot Couplings (Aeroquip) Permanent Connection
CONDENSER	Air-cooled
HEAD PRESSURE CONTROL	Condensing Pressure Regulator
AMBIENT CONDITION	Min. -20°F - Max. +122°F (-29°C to +50°C) Outdoor use

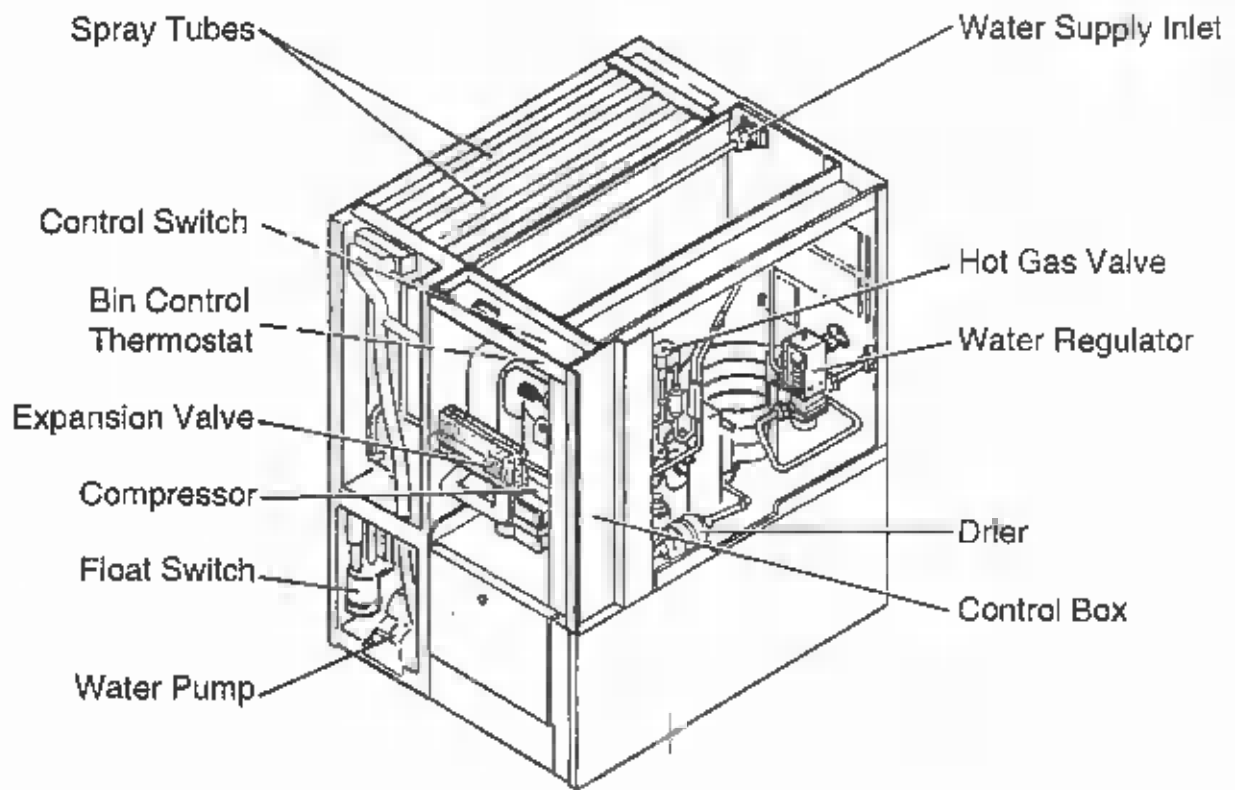
II. GENERAL INFORMATION

1. CONSTRUCTION

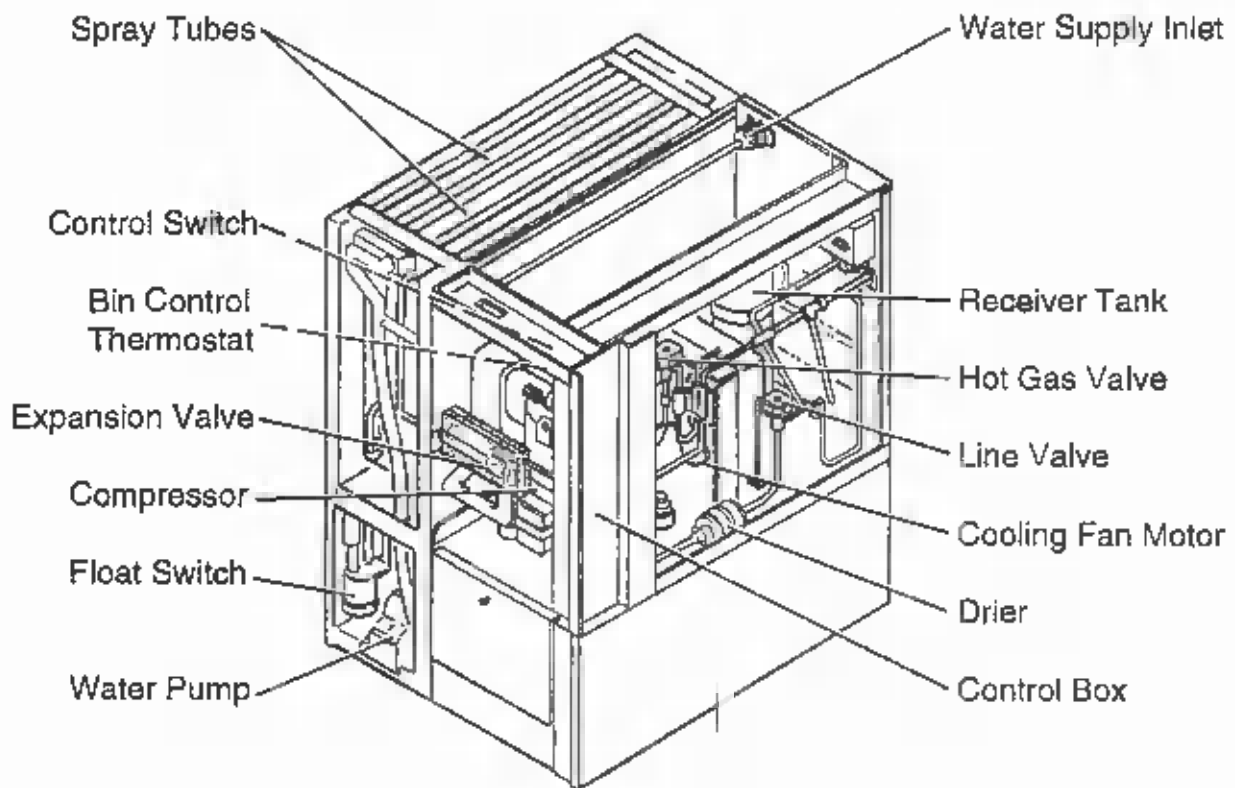
[a] KM-500MAE



[b] KM-500MWE



[c] KM-500MRE



2. CONTROLLER BOARD

[a] SOLID-STATE CONTROL

- 1) A HOSHIZAKI exclusive solid-state control is employed in KM-500 Series Modular Crescent Cubers.
- 2) A Printed Circuit Board (hereafter called "Controller Board") includes a stable and high quality control system.
- 3) All models are pre-tested and factory-adjusted.

[b] CONTROLLER BOARD

CAUTION

1. Fragile, handle very carefully.
2. A controller board contains integrated circuits, which are susceptible to failure due to static discharge. It is especially important to touch the metal part of the unit when handling or replacing the board.
3. Do not touch the electronic devices on the board or the back of the board to prevent damage to the board.
4. Do not change wiring and connections. Especially, never misconnect K3, K4 and K5, because the same connector is used for the Thermistor and Float Switch. K4 is not connected.
5. Do not fix the electronic devices or parts on the board in the field. Always replace the whole board assembly when it goes bad.
6. Do not short out power supply to test for voltage.

PART NUMBER

TYPE

2U0127-01

MY9KM910 (Alpine)

MY9KM91B (Alpine)

Note: (1) Maximum Water Supply Period - 6 minutes

Water Solenoid Valve opening, in the Defrost (Harvest) Cycle, is limited by maximum period of the defrost timer. The Water Valve cannot remain open longer than the maximum period. The Water Valve can close in less than the maximum period if the defrost cycle is completed.

(2) Defrost Timer

The defrost cycle starts when the Float Switch opens and completes the freeze cycle. But the Defrost Timer does not start counting until the Thermistor senses 48°F at the Evaporator outlet. The period from the end of the freeze cycle up to the point of the Thermistor's sensing varies depending on the ambient and water temperatures.

(3) High Temperature Safety - $127 \pm 7^\circ\text{F}$

The temperature of the suction line in the refrigerant circuit is limited by the High Temperature Safety.

During the defrost cycle the Evaporator temperature rises. The Thermistor senses 48°F and starts the Defrost Timer. After the Defrost Timer counts down to zero, the normal freeze cycle begins. If the Evaporator temperature continues to rise, the Thermistor will sense the rise in temperature and at $127 \pm 7^\circ\text{F}$ the Thermistor operates the High Temperature Safety.

This High Temperature Safety shuts down the circuit and the icemaker automatically stops. To reset the safety, turn the power off and back on again. This High Temperature Safety protects the unit from excessive temperature.

(4) Low Water Safety

If the Pump Motor is operated without water, the mechanical seal can fail. To prevent this type of failure, the Controller Board checks the position of the Float Switch at the end of the initial one minute water fill cycle and at the end of each defrost cycle.

If the Float Switch is in the up position (electrical circuit closed), the Controller Board changes to the ice making cycle. If the Float Switch is in the down position (electrical circuit open), the Controller Board changes to a one minute water fill cycle before starting the ice making cycle. This method allows for a Low Water Safety shut down to protect the Water Pump from mechanical seal failure.

For water-cooled model, if the water is shut off, the unit is protected by the High Pressure Switch.

(5) High Voltage Cut-out

The maximum allowable supply voltage of this icemaker is limited by the High Voltage Cut-out.

If miswiring causes excessive voltage on the Controller Board, the High Voltage Cut-out shuts down the circuit in 3 seconds and the icemaker automatically stops. When the proper supply voltage is resumed, the icemaker automatically starts running again.

Connector K1

Pin #1 thru #10

- #1, 9 Magnetic Contactor
- #2 Hot Gas Valve
- #3 Line Valve
- #4 Pump Motor (icemaking)
- #5 Pump Motor (drain)
- #6 Water Valve
- #7, 10 Power (line, Bin Control)
- #8 Open

Dip Switch

Defrost Timer, Drain Timer
& Drain Counter

Connector K5

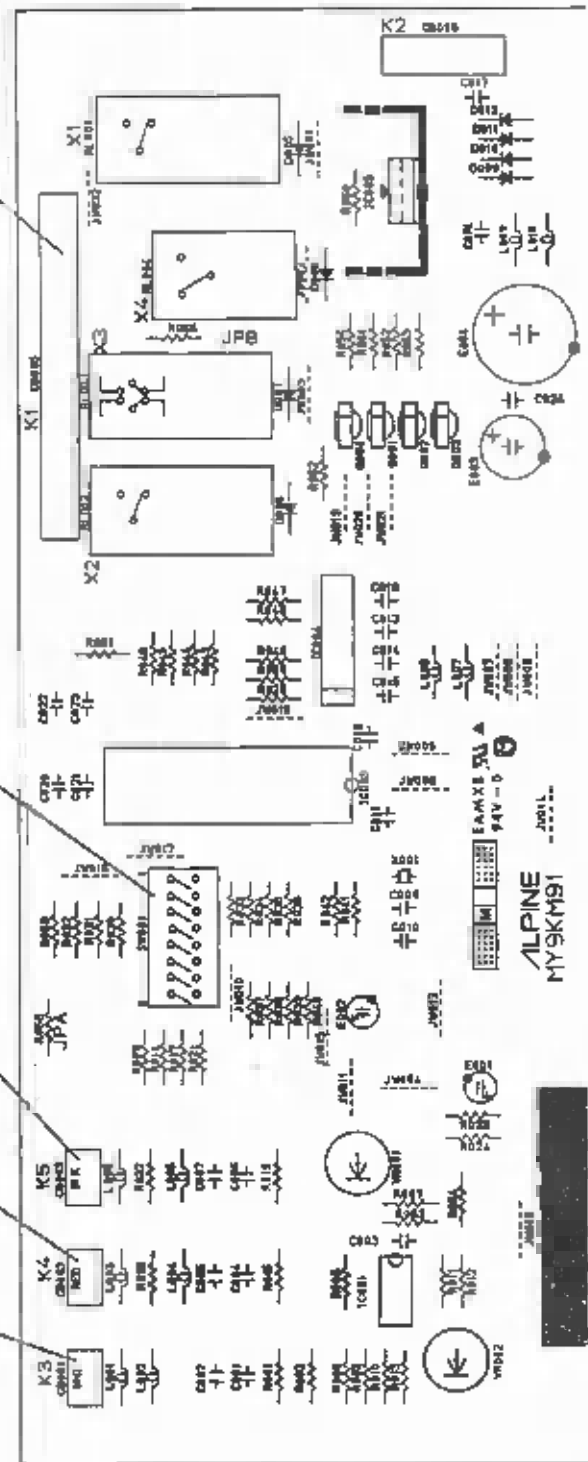
Float Switch

Connector K4

Open
(not connected)

Connector K3

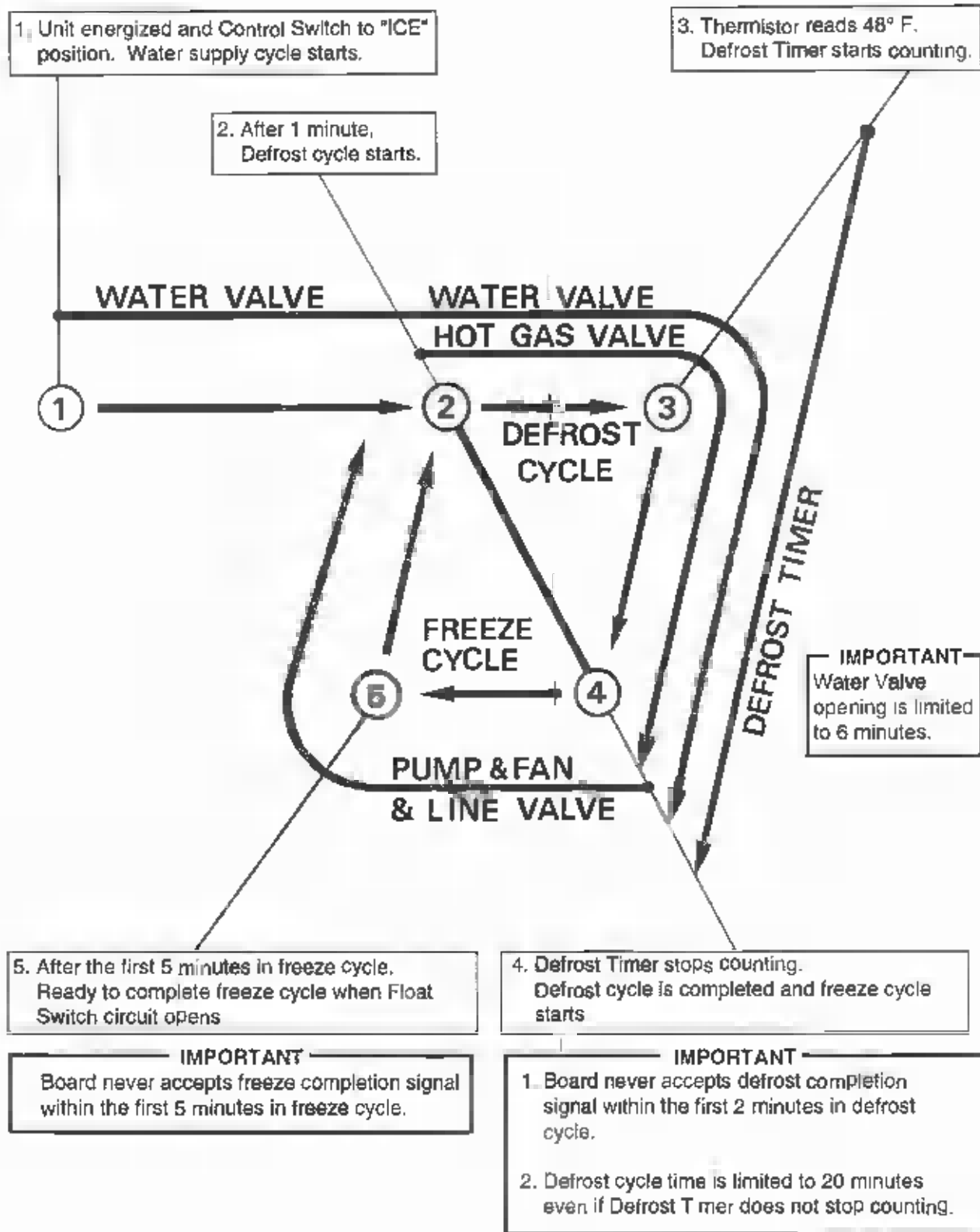
Defrost Control
(Thermistor)



(Alpine "C"/Alpine Board)

[c] SEQUENCE

1st Cycle

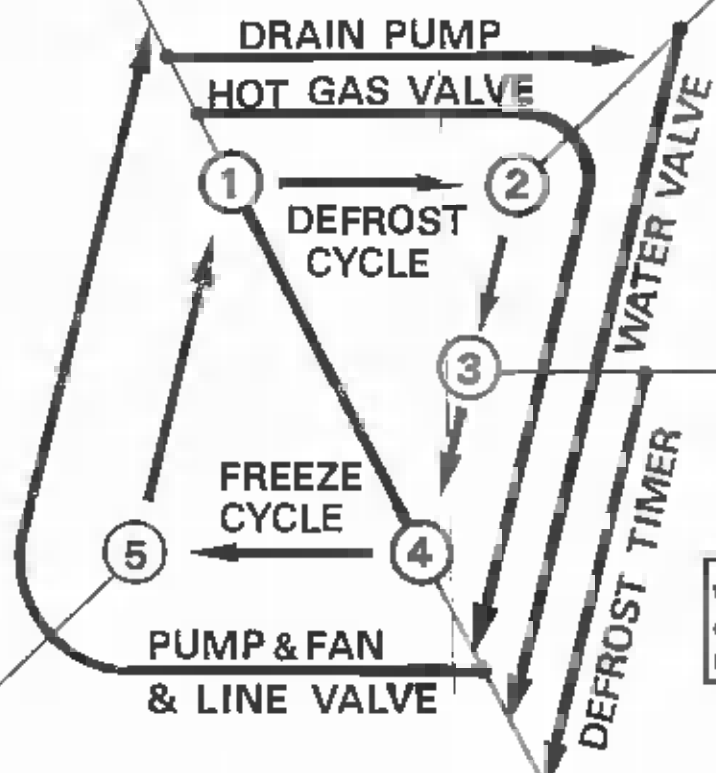


2nd Cycle and after with pump drain

IMPORTANT
Freeze cycle time is limited to 60 minutes even if Float Switch does not open.

1. Float Switch opens and signals to complete freeze cycle. Drain timer starts counting.

2. Drain timer stops counting. Pump drain is completed



3. Thermistor reads 48° F. Defrost Timer starts counting.

IMPORTANT
Water Valve opening is limited to 6 minutes.

5. After the first 5 minutes in freeze cycle. Ready to complete freeze cycle when Float Switch circuit opens.

4. Defrost Timer stops counting. Defrost cycle is completed and freeze cycle starts.

IMPORTANT
Board never accepts freeze completion signal within the first 5 minutes in freeze cycle.

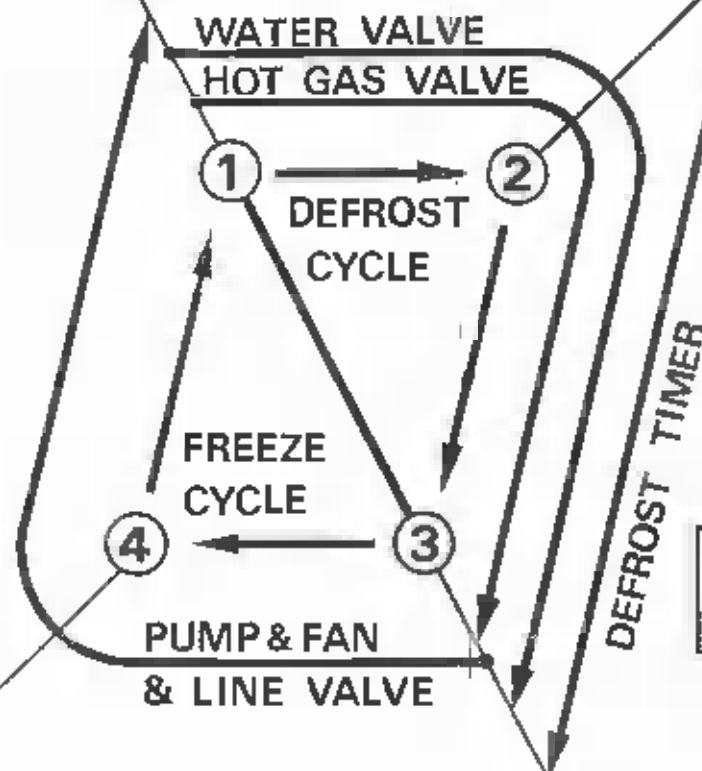
IMPORTANT
1. Board never accepts defrost completion signal within the first 2 minutes in defrost cycle.
2. Defrost cycle time is limited to 20 minutes even if Defrost Timer does not stop counting.

2nd Cycle and after with no pump drain

IMPORTANT
Freeze cycle time is limited to 60 minutes even if Float Switch does not open.

1. Float Switch opens and signals to complete freeze cycle.

2. Thermistor reads 48° F. Defrost Timer starts counting.



IMPORTANT
Water Valve opening is limited to 6 minutes.

4. After the first 5 minutes in freeze cycle. Ready to complete freeze cycle when Float Switch circuit opens.

3. Defrost Timer stops counting. Defrost cycle is completed and freeze cycle starts.

IMPORTANT
Board never accepts freeze completion signal within the first 5 minutes in freeze cycle.

IMPORTANT

1. Board never accepts defrost completion signal within the first 2 minutes in defrost cycle.
2. Defrost cycle time is limited to 20 minutes even if Defrost Timer does not stop counting.

[d] CONTROLS AND ADJUSTMENTS (Alpine/Alpine "C" Board)

The Dip Switch is factory-adjusted to the following positions:

DIP SWITCH NO.	1	2	3	4	5	6	7	8
KM-500MAE, MWE, MRE	OFF	OFF	OFF	OFF	ON	ON	OFF	OFF

Switch Nos. 1 and 2:

Used for adjustment of the Defrost Timer.

The Defrost Timer starts counting when the Thermistor reads a certain temperature at the Evaporator outlet.

Switch Nos. 3 and 4:

Used for adjustment of the Drain Timer.

When a freeze cycle is completed, the Pump Motor stops, and the icemaker resumes operation in 2 seconds. Then the Pump Motor drains the Water Tank for the time determined by the Drain Timer. The Drain Timer also determines the time to restrain completion of a defrost cycle, i.e. the minimum defrost time.

Switch Nos. 5 and 6:

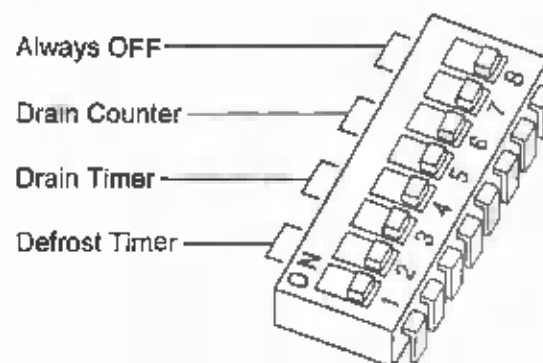
Used for adjustment of the Drain Counter.

The Pump Motor drains the Water Tank at the frequency determined by the Drain Counter.

Switch Nos. 7 and 8:

Used only for checking the Controller Board.

Usually set in OFF position.



1) Defrost Control

A thermistor (Semiconductor) is used for a defrost control sensor. The resistance varies depending on the Suction Line temperatures. The Thermistor detects the temperature of the Evaporator outlet to start the Defrost Timer. No adjustment is required. If necessary, check for resistance between Thermistor leads, and visually check the Thermistor mounting, located on the Suction Line next to the Evaporator outlet.

Temperature (°F)	Resistance (kΩ)
0	14.401
10	10.613
32	6.000
50	3.871
70	2.474
90	1.633

Check a thermistor for resistance by using the following procedures.

- (i) Disconnect the connector K3 on the board.
- (ii) Remove the Thermistor. See "V. 11. REMOVAL AND REPLACEMENT OF THERMISTOR."
- (iii) Immerse the Thermistor sensor portion in a glass containing ice and water for 2 or 3 minutes.
- (iv) Check for a resistance between Thermistor leads.
Normal reading is within 3.5 to 7 kΩ. Replace the Thermistor if it exceeds the normal reading.

2) Defrost Timer

No adjustment is required under normal use, as the Defrost Timer is adjusted to the suitable position. However, if necessary when all the ice formed on the Evaporator does not fall into the bin in the harvest cycle, adjust the Defrost Timer to longer position by setting the Dip Switch (No. 1 & 2) on the Controller Board.

SETTING		TIME
Dip Switch No. 1	Dip Switch No. 2	
OFF	OFF	60 seconds
ON	OFF	90 seconds
OFF	ON	120 seconds
ON	ON	180 seconds

3) Drain Timer

The Drain Timer is factory-adjusted, and no adjustment is required.

SETTING		TIME	
Dip Switch No. 3	Dip Switch No. 4	T1	T2
OFF	OFF	10 seconds	150 seconds
ON	OFF	10 seconds	180 seconds
OFF	ON	10 seconds	120 seconds
ON	ON	20 seconds	180 seconds

T1: Time to drain the Water Tank

T2: Time to restrain defrost completion

4) Drain Counter

CAUTION

Do not adjust the Drain Counter, or the Evaporator may freeze up.

Except for some B-type models, the Drain Counter is factory-adjusted to drain the Water Tank every 10 cycles, and no adjustment is required. However, where water quality is bad and the icemaker needs a pump drain more often, the Drain Counter can be adjusted as shown in the table below:

SETTING		FREQUENCY
Dip Switch No. 5	Dip Switch No. 6	
OFF	OFF	every cycle
ON	OFF	every 2 cycles
OFF	ON	every 5 cycles
ON	ON	every 10 cycles

5) Bin Control

CAUTION

When the ambient temperature is below 45°F, the Bin Control Thermostat operates to stop the icemaker even if the Ice Storage Bin is empty. When the Thermostat is set in the prohibited range, the icemaker operates continuously even if the Ice Storage Bin is filled with ice. Setting in the prohibited range might cause severe damage to the icemaker resulting in failure.

No adjustment is required under normal use, as the Bin Control is factory-adjusted. Adjust it, if necessary, so that the icemaker stops automatically in approximately 6 to 10 seconds after ice contacts the Bin Control Thermostat Bulb.

[e] CHECKING CONTROLLER BOARD

- 1) Visually check the sequence with the icemaker operating.
- 2) Visually check the Controller Board by using the following procedures.
 - (i) Adjust the Defrost Timer to minimum position.
Disconnect the Thermistor from the Controller Board.
Connect a 1.5 k Ω - 3.5 k Ω resistor to the Connector K3 (pins #1 and #2), and energize the unit.

After the 1 minute \pm 5 second water supply cycle and the 2 minute \pm 10 second defrost cycle, the unit should start the freeze cycle.
 - (ii) After the above step (i), disconnect the Float Switch leads from the Controller Board within the first 5 minutes of the freeze cycle.

The unit should go into the defrost cycle after the first 5 minutes \pm 20 seconds of the freeze cycle.
 - (iii) Reconnect the Float Switch Connector to the Controller Board. After the first 5 minutes of the freeze cycle, disconnect the Float Switch leads from the Controller Board.

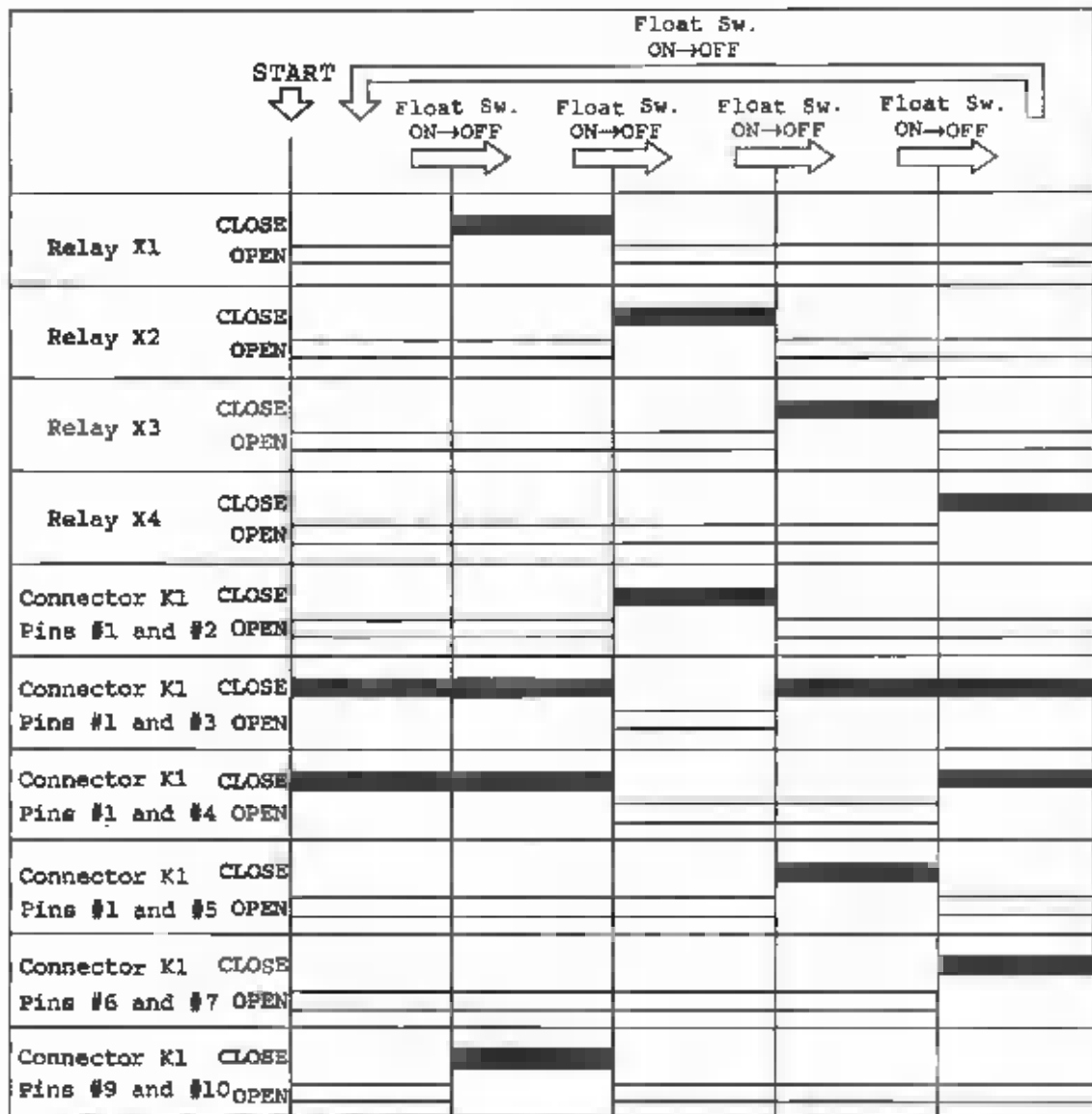
At this point, the unit should start the defrost cycle.
 - (iv) After Step (iii), de-energize the unit and confirm that the Defrost Timer is in the minimum position. Disconnect the resistor from the Controller Board, and energize the unit.
After the 1 minute water supply cycle, the defrost cycle starts.
Re-connect a 1.5 k Ω - 3.5 k Ω resistor to the Connector K3 (pins #1 and #2) after the first 2 minutes of the defrost cycle.

The unit should start the freeze cycle after 1 minute \pm 5 seconds from the resistor connection.

3) Check the Controller Board by using test program of the Controller Board.

- (i) Disconnect the Connector K1 from the Controller Board. Set the Dip Switch No. 7 and 8 on the Controller Board to the "ON" position, and energize the unit.
- (ii) The current flows to each Relay (from X1 to X4) one after another every time the float is raised and the contacts close. See the following chart, and check "OPEN" and "CLOSE" of Pins of the Connector K1 at each step.
- (iii) If the checks are completed, turn off the icemaker, plug the Connector K1 into the Controller Board as before, and set the Dip Switch No. 7 and 8 to the "OFF" position.

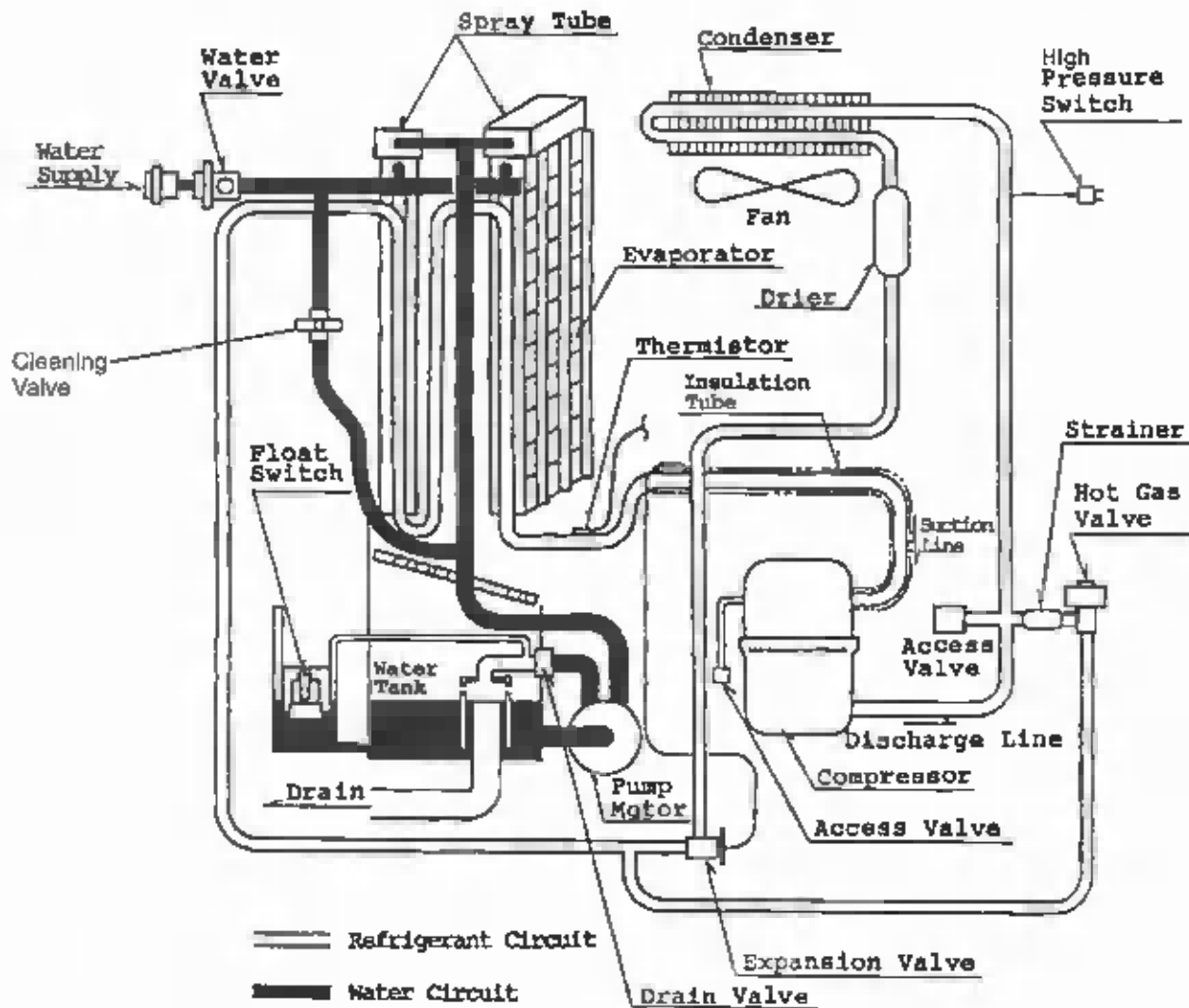
TEST PROGRAM OF CONTROLLER BOARD



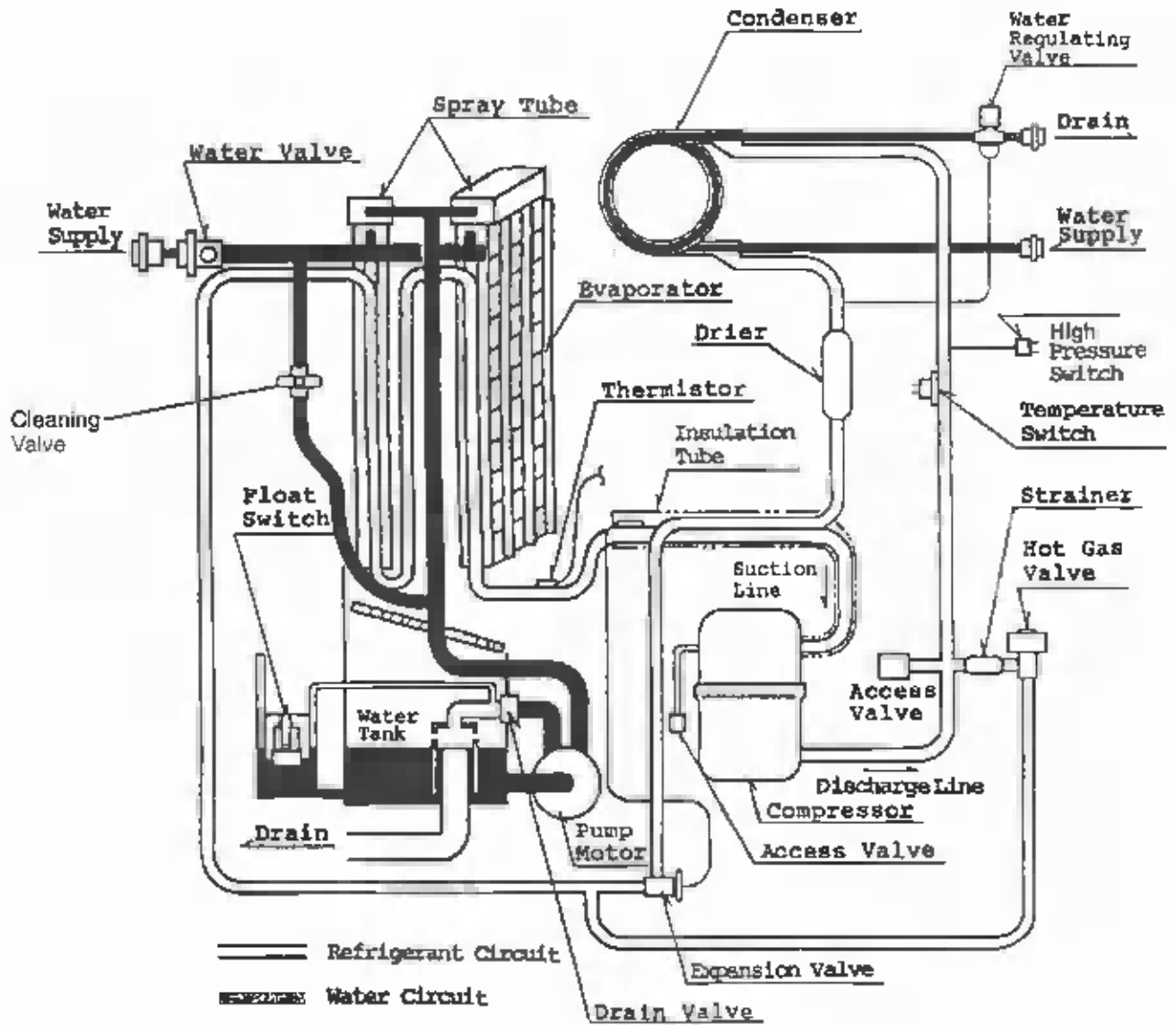
III. TECHNICAL INFORMATION

1. WATER CIRCUIT AND REFRIGERANT CIRCUIT

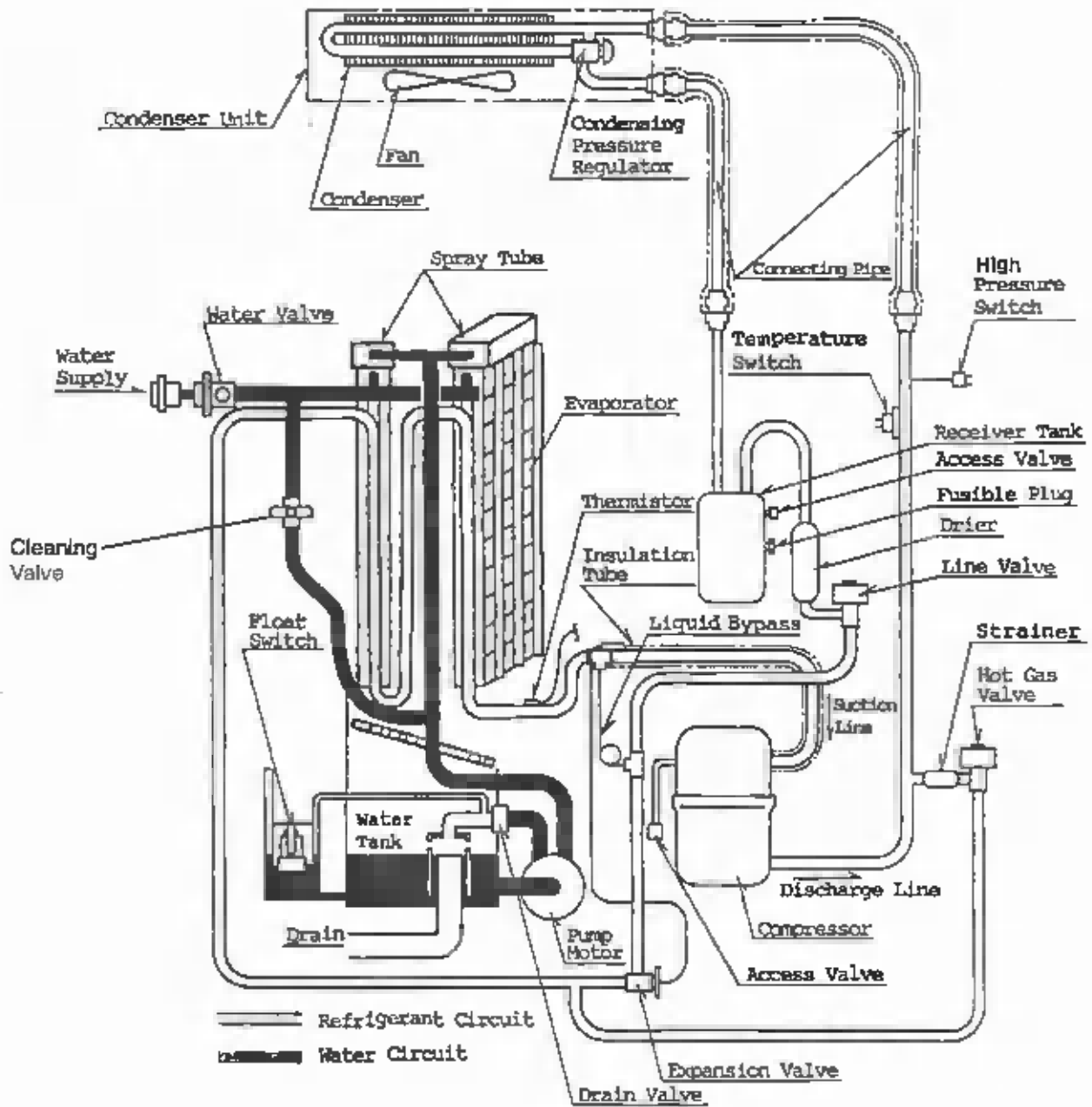
[a] KM-500MAE



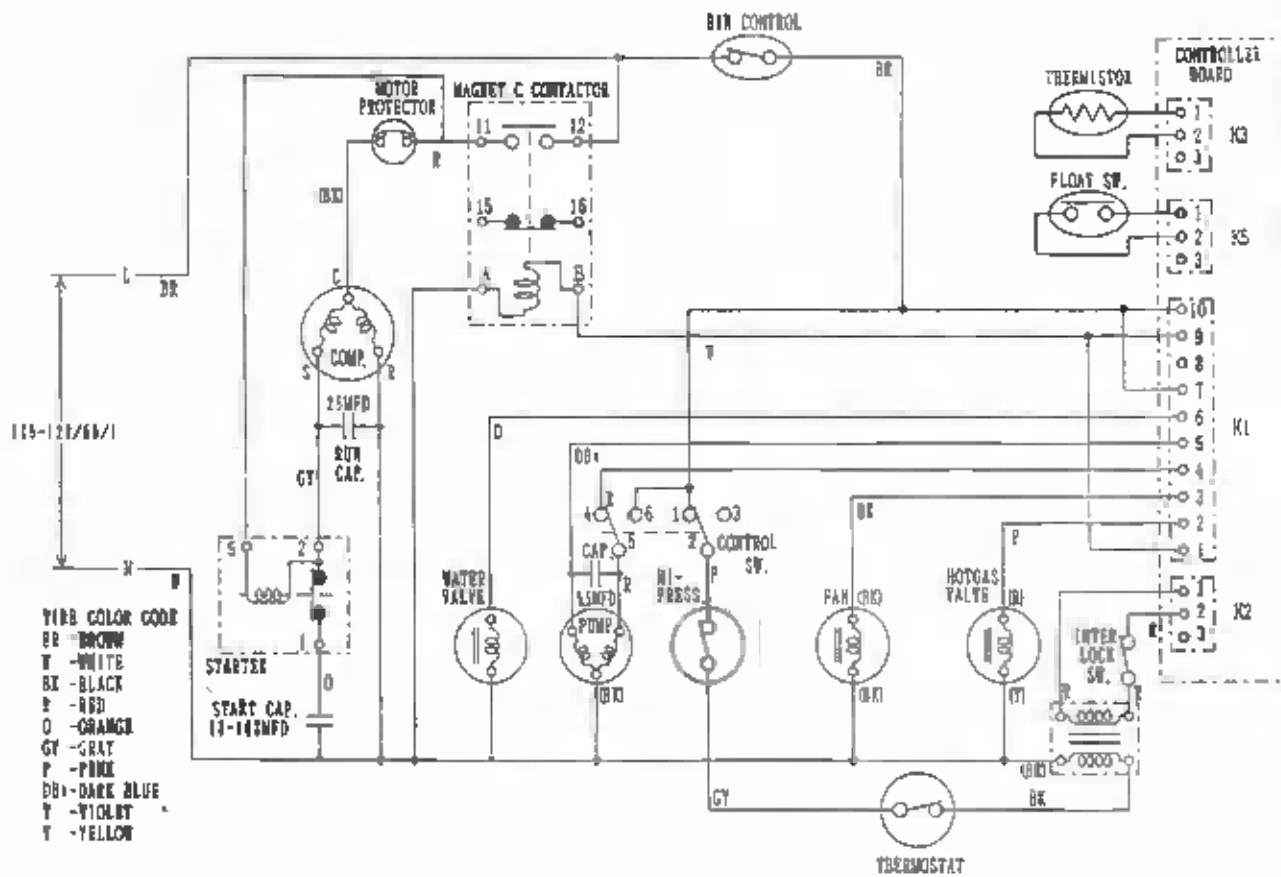
[b] KM-500MWE



[c] KM-500MRE



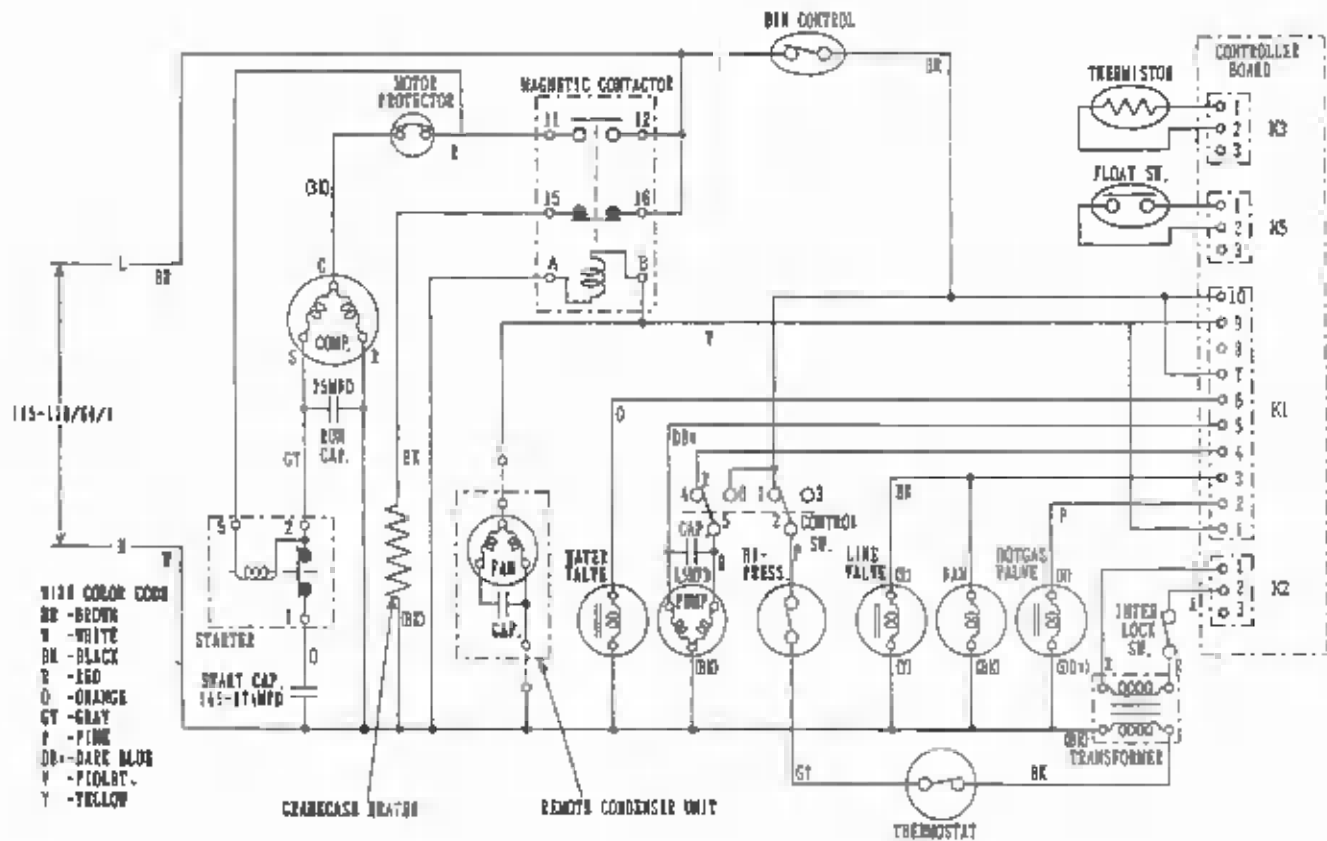
[b] KM-500MWE



Note: Pressure Switch

Cut-out	355.6 ± 21.3	PSIG
Cut-in	256 ± 21.3	PSIG

[c] KM-500MRE

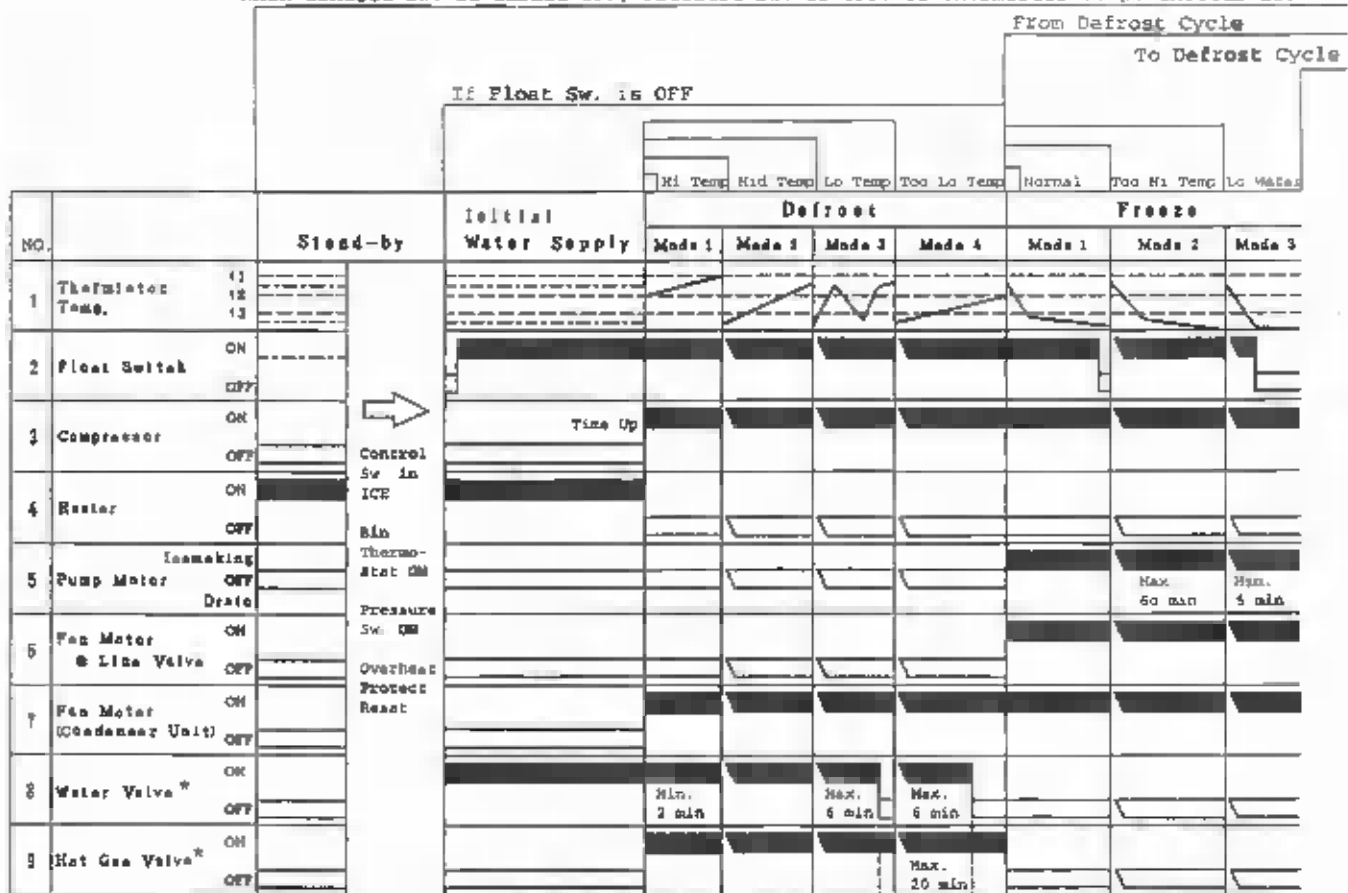


Note: Pressure Switch

Cut-out	384 ± 21.3	PSIG
Cut-in	284.5 ± 21.3	PSIG

3. TIMING CHART

When Control Sw. is turned OFF, Pressure Sw. is OFF, or Thermistor Temp. exceeds t1.

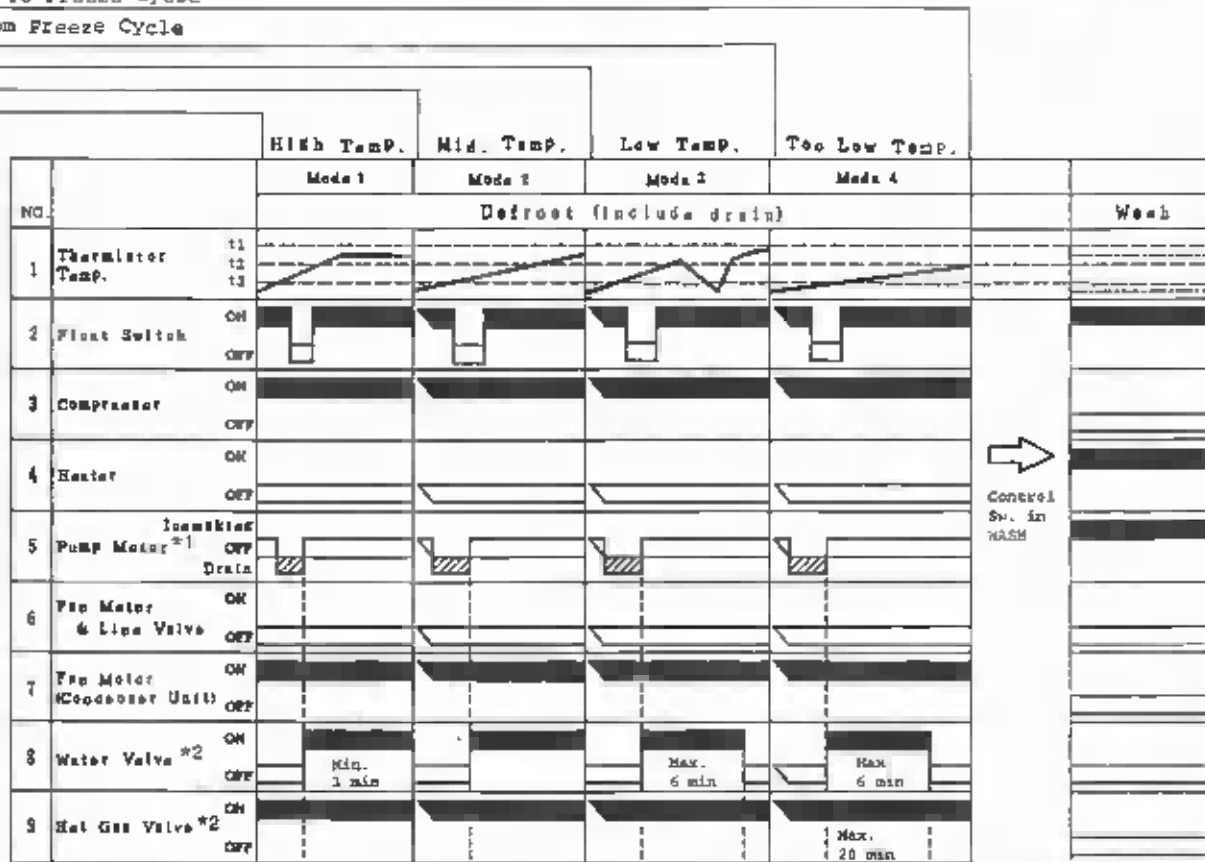


*NOTE: The icemaker does not complete a defrost cycle in the first 2 or 3 minutes. See "II. 2. [d] CONTROLS AND ADJUSTMENTS."

To Stand-by Cycle (when Control Sw. is turned OFF, Pressure Sw. is OFF, or Thermistor Temp. exceeds t1.)

To Freeze Cycle

From Freeze Cycle



*1 The Pump Motor waits for 2 seconds before starting a drain cycle. See "II. 2. [d] CONTROLS AND ADJUSTMENTS."

*2 The icemaker does not complete a defrost cycle in the first 2 or 3 minutes. See "II. 2. [d] CONTROLS AND ADJUSTMENTS."

4. PERFORMANCE DATA
[a] KM-500MAE

APPROXIMATE ICE PRODUCTION PER 24 HR.	AMBIENT TEMP. (°F)	WATER TEMP. (°F)		
		50	70	90
lbs./day (kg./day)	70	*470 (214)	435 (197)	410 (188)
	80	440 (200)	400 (181)	370 (168)
	90	405 (184)	*370 (168)	330 (150)
	100	375 (170)	340 (154)	290 (132)
APPROXIMATE ELECTRIC CONSUMPTION	70	*1210	1210	1210
watts	80	1220	1230	1240
	90	1240	*1250	1270
	100	1270	1280	1290
APPROXIMATE WATER CONSUMPTION PER 24 HR.	70	*207 (0.78)	137 (0.52)	127 (0.48)
gal./day (m ³ /day)	80	140 (0.53)	119 (0.45)	111 (0.42)
	90	110 (0.42)	*100 (0.38)	95 (0.36)
	100	98 (0.37)	92 (0.35)	85 (0.32)
FREEZING CYCLE TIME	70	30	32	33
min.	80	34	35	37
	90	36	38	42
	100	38	42	48
HARVEST CYCLE TIME	70	3.5	2	2
min.	80	2	2	2
	90	2	2	2
	100	2	2	2
HEAD PRESSURE	70	216 (15.2)	219 (15.4)	220 (15.5)
PSIG (kg./cm ² G)	80	239 (16.8)	249 (17.5)	253 (17.8)
	90	264 (18.6)	270 (19.0)	284 (20.0)
	100	292 (20.5)	302 (21.2)	320 (22.5)
SUCTION PRESSURE	70	40 (2.8)	41 (2.9)	43 (3.0)
PSIG (kg./cm ² G)	80	41 (2.9)	43 (3.0)	46 (3.2)
	90	43 (3.0)	44 (3.1)	50 (3.5)
	100	44 (3.1)	46 (3.2)	54 (3.8)

TOTAL HEAT OF REJECTION

8600 BTU/h (AT 90° F/WT 70° F)

Note: Pressure data is recorded first 5 minutes in freezing cycle.
The data without *marks should be used for reference.

[b] KM-500MWE

APPROXIMATE ICE PRODUCTION PER 24 HR.	AMBIENT TEMP. (°F)	WATER TEMP. (°F)		
		50	70	90
lbs./day (kg./day)	70	*470 (214)	445 (202)	390 (177)
	80	460 (209)	435 (197)	380 (173)
	90	450 (205)	*430 (196)	365 (166)
	100	440 (200)	405 (184)	345 (156)
APPROXIMATE ELECTRIC CONSUMPTION	70	*1200	1240	1250
	80	1200	1250	1260
	90	1210	*1260	1280
	100	1210	1280	1300
APPROXIMATE WATER CONSUMPTION PER 24 HR.	70	*660 (2.50)	765 (2.90)	1480 (5.60)
	80	670 (2.54)	782 (2.96)	1519 (5.75)
	90	685 (2.59)	*800 (3.03)	1558 (5.90)
	100	700 (2.65)	818 (3.10)	1614 (6.11)
FREEZING CYCLE TIME	70	29	31	35
	80	29	31	37
	90	30	32	38
	100	33	34	40
HARVEST CYCLE TIME	70	3	2	2
	80	3	2	2
	90	3	2	2
	100	3	2	2
HEAD PRESSURE	70	232 (16.3)	232 (16.3)	238 (16.7)
	80	232 (16.3)	233 (16.4)	238 (16.7)
	90	232 (16.3)	235 (16.5)	239 (16.8)
	100	232 (16.3)	235 (16.5)	239 (16.8)
SUCTION PRESSURE	70	28 (2.3)	43 (3.0)	44 (3.1)
	80	28 (2.3)	43 (3.0)	46 (3.2)
	90	28 (2.3)	43 (3.0)	47 (3.3)
	100	34 (2.4)	46 (3.2)	50 (3.5)

HEAT OF REJECTION FROM CONDENSER 7000 BTU/h (AT 90° F/WT 70° F)

HEAT OF REJECTION FROM COMPRESSOR 1400 BTU/h (AT 90° F/WT 70° F)

WATER FLOW FOR CONDENSER 67 gal./h (At 100° F/WT90° F)

PRESSURE DROP OF COOLING WATER LINE less than 10 PSIG

Note: Pressure data is recorded first 5 minutes in freezing cycle.
The data without *marks should be used for reference.

[c] KM-500MRE

APPROXIMATE ICE PRODUCTION PER 24 HR.	AMBIENT TEMP. (°F)	WATER TEMP. (°F)		
		50	70	90
lbs./day (kg./day)	70	*450 (204)	435 (197)	415 (188)
	80	420 (191)	405 (184)	385 (175)
	90	390 (177)	*380 (172)	355 (161)
	100	360 (163)	350 (159)	325 (147)
APPROXIMATE ELECTRIC CONSUMPTION	70	*1300	1320	1330
watts	80	1320	1340	1350
	90	1330	*1360	1370
	100	1340	1370	1380
APPROXIMATE WATER CONSUMPTION PER 24 HR.	70	*240 (0.91)	185 (0.70)	169 (0.64)
gal./day (m ³ /day)	80	185 (0.70)	172 (0.65)	155 (0.59)
	90	162 (0.61)	*150 (0.57)	138 (0.52)
	100	140 (0.53)	130 (0.49)	122 (0.46)
FREEZING CYCLE TIME	70	30	32	33
min.	80	34	35	37
	90	36	38	42
	100	38	42	48
HARVEST CYCLE TIME	70	3.5	2	2
min.	80	2	2	2
	90	2	2	2
	100	2	2	2
HEAD PRESSURE	70	199 (14.0)	199 (14.0)	203 (14.9)
PSIG (kg./cm ² G)	80	218 (15.3)	222 (15.6)	223 (15.7)
	90	235 (16.5)	238 (16.7)	245 (17.2)
	100	256 (18.0)	262 (18.4)	270 (19.0)
SUCTION PRESSURE	70	34 (2.4)	37 (2.6)	43 (3.0)
PSIG (kg./cm ² G)	80	37 (2.6)	38 (2.7)	43 (3.0)
	90	40 (2.8)	40 (2.8)	43 (3.0)
	100	43 (3.0)	44 (3.1)	44 (3.1)

HEAT OF REJECTION FROM CONDENSER 7100 BTU/h (AT 90° F/WT 70° F. URC-6E)

HEAT OF REJECTION FROM COMPRESSOR 1340 BTU/h (AT 90° F/WT 70° F)

CONDENSER VOLUME 74.5 CU. IN. (URC-6E)

Note: Pressure data is recorded first 5 minutes in freezing cycle.
The data without *marks should be used for reference.

IV. SERVICE DIAGNOSIS

1. NO ICE PRODUCTION

PROBLEM	POSSIBLE CAUSE		REMEDY
[1] The icemaker will not start	a) Power Supply	1. "OFF" position.	1. Move to "ON" position
		2. Loose connections.	2. Tighten
		3. Bad contacts	3. Check for continuity and replace.
		4. Voltage too high.	4. Check and get recommended voltage.
	b) Fuse (Inside Fused Disconnect, if any)	1. Blown out.	1. Check for short circuit and replace
	c) Control Switch	1. "OFF" position.	1. Move to "ICE" position.
		2. Bad contacts.	2. Check for continuity and replace.
	d) Bin Control Thermostat	1. Tripped with bin filled with ice.	1. Remove ice.
		2. Ambient temperature too cool.	2. Increase ambient temperature.
		3. Set too warm.	3. See "II.2.[d] CONTROLS AND ADJUSTMENTS, 5) Bin Control."
		4. Bulb out of position.	4. Place in position.
		5. Bad contacts or leaks bulb.	5. Check for continuity and replace.
	e) High Pressure Control	1. Bad contacts	1. Check for continuity and replace.
	f) Transformer	1. Thermal fuse blown out or coil winding opened.	1. Replace.
g) Wiring to Controller Board	1. Loose connections or open.	1. Check for continuity and replace.	
h) Thermistor	1. Leads short-circuit or open and High Temperature Safety operates.	1. See "II.2.[d] CONTROLS AND ADJUSTMENTS, 1) Defrost Control."	
i) Hot Gas Solenoid Valve	1. Continues to open in freeze cycle and High Temperature Safety operates.	1. Check for power off in freeze cycle and replace.	
j) Water Supply Line	1. Water supply off and water supply cycle does not finish.	1. Check and get recommended pressure.	
	2. Condenser water pressure too low or off and Pressure Control opens and closes frequently to finally operate High Temperature Safety.	2. Check and get recommended pressure	
k) Water Solenoid	1. Mesh filter or orifice gets clogged and water supply cycle does not finish.	1. Clean.	
	2. Coil winding opened.	2. Replace.	
	3. Wiring to Water Valve.	3. Check for loose connection or open, and replace.	

PROBLEM	POSSIBLE CAUSE	REMEDY	
	l) Controller Board	1. Defective	1. See "11.2[e] CHECKING CONTROLLER BOARD."
	m) Interlock Switch (Cleaning Valve)	1. "OFF" position. 2. Bad contacts	1. Move to "ON" position. 2. Check for continuity and replace.
[2] Water continues to be supplied, and the ice-maker will not start.	a) Float switch	1. Connector disconnected. 2. Leads opened or defective switch. 3. Float does not move freely.	1. Place in position. 2. Check and replace. 3. Clean or replace.
	b) Controller Board	1. Defective.	1. Replace.
[3] Compressor	a) Wash Switch	1. "WASH" position. 2. Bad contacts.	1. Move to "ICE" position. 2. Check and replace.
	b) High Pressure Controller	1. Dirty Air Filter or Condenser.	1. Clean.
		2. Ambient or condenser water temp. too warm.	2. Reduce ambient temp.
		3. Refrigerant overcharged.	3. Recharge.
		4. Condenser water pressure too low or off. [Water-cooled model only].	4. Check and get recommended pressure.
		5. Fan not operating. [Except water-cooled model].	5. See chart 1 - [6].
		6. Refrigerant line or components plugged.	6. Clean and replace Drier.
	c) Water Regulator	1. Set too high.	1. Adjust lower
	d) Overload Protector	1. Bad contacts.	1. Check for continuity and replace.
		2. Voltage too low.	2. Increase voltage.
		3. Refrigerant overcharged or undercharged.	3. Recharge.
		4. Line Valve continues to close in freeze cycle and Overload Protector operates.	4. Check Line Valve's operation in freeze cycle and replace.
	e) Starter	1. Bad contacts. 2. Coil winding opened.	1. Check and replace. 2. Replace.
		f) Start Capacitor or Run Capacitor	1. Defective.
	g) Magnetic Contactor	1. Bad contacts.	1. Check for continuity and replace.
		2. Coil winding opened.	2. Replace.
h) Compressor	1. Wiring to Compressor.	1. Check for loose connection or open, and replace.	
	2. Defective.	2. Replace.	
	3. Protector tripped.	3. Reduce temperature.	
i) Controller board	1. Defective.	1. See "11.2. [e] CHECKING CONTROLLER BOARD."	
j) Discharge Temp. Switch (KM-500MWE/MRE)	1. Refrigerant undercharged.	1. Recharge.	
	2. Cooling Fan not operating.	2. See Chart 1 - [6].	

PROBLEM	POSSIBLE CAUSE		REMEDY
[4] Water continues to be supplied in freeze cycle.	a) Water Solenoid Valve	1. Diaphragm does not close.	1. Check for water leaks with icemaker off.
	b) Controller Board	1. Defective.	1. See "II.2.[e] CHECKING CONTROLLER BOARD."
[5] No water comes from Spray Tubes. Water Pump will not start, or freeze cycle time is too short.	a) Water Supply Line	1. Water pressure too low and water level in Water Tank too low.	1. Check and get recommended pressure.
	b) Water Solenoid Valve	1. Dirty mesh filter or orifice and water level in Water Tank too low.	1. Clean.
	c) Water System	1. Water leaks.	1. Check connections for water leaks, and replace.
		2. Clogged.	2. Clean.
	d) Pump Motor	1. Motor winding opened.	1. Replace.
		2. Bearing worn out.	2. Replace.
		3. Wiring to Pump Motor.	3. Check for loose connection or open, and replace.
		4. Defective Capacitor.	4. Replace.
	5. Defective or bound impeller.	5. Replace and clean.	
	6. Mechanical Seal worn out.	6. Check and replace.	
e) Controller Board	1. Defective.	1. See "II.2. [e] CHECKING CONTROLLER BOARD."	
[6] Fan Motor will not start, or is not operating.	a) Fan Motor	1. Motor winding opened.	1. Replace.
		2. Bearing worn out.	2. Replace.
		3. Wiring to Fan Motor.	3. Check for loose connection or open, and replace
		4. Defective Capacitor.	4. Replace
		5. Fan blade bound.	5. Check and replace.
	b) Controller Board	1. Defective.	1. See "II.2. [e] CHECKING CONTROLLER BOARD."
[7] All components run but no ice is produced.	a) Refrigerant	1. Undercharged.	1. Check for leaks and recharge.
		2. Air or moisture trapped.	2. Replace Drier, and recharge.
	b) Compressor	1. Defective valve.	1. Replace.
	c) Hot Gas Solenoid Valve	1. Continues to open in freeze cycle.	1. Check and replace.
	d) Line Valve	1. Continues to close in freeze cycle.	1. Check and replace
e) Water Supply Line [Water-cooled model only]	1. Condenser water pressure too low or off and Pressure Control opens and closes frequently.	1. Check and get recommended pressure.	

2. EVAPORATOR IS FROZEN UP

PROBLEM	POSSIBLE CAUSE		REMEDY
[1] Freeze cycle time is too long.	a) Float Switch	1. Leads short-circuit or defective switch.	1. Check and replace.
		2. Float does not move freely.	2. Clean or replace.
	b) Water Solenoid Valve	1. Diaphragm does not close.	1. Check for water leaks with icemaker off.
	c) Controller Board	1. Defective.	1. See "II.2[e] CHECKING CONTROLLER BOARD."
[2] All ice formed on Evaporator does not fall into bin in harvest cycle.	a) Evaporator	1. Scaled up.	1. Clean.
	b) Water Supply Line	1. Water pressure too low.	1. Check and get recommended pressure.
	c) Water Solenoid Valve	1. Dirty mesh filter or orifice.	1. Clean.
		2. Diaphragm does not close.	2. Check for water leaks with icemaker off.
	d) Ambient and/or water temperature	1. Too cool.	1. Increase temperature.
	e) Line Valve	1. Continues to open in harvest cycle.	1. Check operation in harvest cycle and replace.
	f) Thermistor	1. Out of position or loose attachment.	1. See "V. 11. REMOVAL AND REPLACEMENT OF THERMISTOR."
g) Controller Board	1. Defrost Timer is set too short.	1. Adjust longer, referring to "II. 2. [d] CONTROLS AND ADJUSTMENT, 2) Defrost Timer."	
	2. Defective.	2. See "II. 2.[e] CHECKING CONTROLLER BOARD."	
[3] Others	a) Spray Tubes	1. Clogged.	1. Clean.
		2. Out of position.	2. Place in position.
	b) Water System	1. Dirty.	1. Clean.
	c) Refrigerant	1. Undercharged.	1. Check for leaks and recharge
	d) Expansion Valve	1. Bulb out of position or loose attachment.	1. Place in position.
		2. Defective.	2. Replace.
	e) Hot Gas Solenoid Valve	1. Coil winding opened.	1. Replace.
2. Plunger does not move.		2. Replace.	
3. Wiring to Hot Gas Valve.		3. Check for loose connection or open, and replace	

3. LOW ICE PRODUCTION

PROBLEM	POSSIBLE CAUSE	REMEDY
[1] Freeze cycle time is long.	a) See chart 1 - [3], and check dirty Air Filter or Condenser, ambient or water temperature, water pressure, Water Regulator or refrigerant charge.	
	b) See chart 2 - [1], and check Float Switch, Water Solenoid Valve or Controller Board.	
[2] Harvest cycle time is long	a) See chart 2 - [2], and check Controller Board, Thermistor, Evaporator, ambient and/or water temperature, water supply line, Water Solenoid Valve or Line Valve.	

4. ABNORMAL ICE

PROBLEM	POSSIBLE CAUSE		REMEDY
[1] Small Cube	a) Ice Cube Guide	1. Out of position. Circulated water falls into bin.	1. Place in position.
	b) See chart 1 - [5], and check water supply line, Water Solenoid Valve, water system, Pump Motor or Controller Board.		
	c) Drain Valve	1. Dirty.	1. Clean.
[2] Cloudy or Irregular cube	a) See chart 2 - [1] and - [3], and check Float Switch, Water Solenoid Valve, Controller Board, Spray Tubes, water system, refrigerant charge or Expansion Valve.		
	b) Spray Guide	1. Dirty.	1. Clean.
	c) Water Quality	1. High hardness or contains impurities.	1. Install a water filter or softener.

5. OTHERS

PROBLEM	POSSIBLE CAUSE		REMEDY
[1] Icemaker will not stop when bin is filled with ice.	a) Bin Control Thermostat	1. Set too cold.	1. Adjust warmer.
		2. Defective.	2. Replace.
[2] Abnormal noise	a) Pump Motor	1. Bearings worn out.	1. Replace.
	b) Fan Motor	1. Bearings worn out.	1. Replace.
		2. Fan blade deformed.	2. Replace fan blade.
		3. Fan blade does not move freely.	3. Replace.
	c) Compressor	1. Bearings worn out, or cylinder valve broken.	1. Replace.
		2. Mounting pad out of position.	2. Reinstall
d) Refrigerant Lines	1. Rub or touch lines or other surfaces.	1. Replace.	
[3] Ice in storage bin often melts.	a) Bin Drain	1. Plugged	1. Clean.

V. REMOVAL AND REPLACEMENT OF COMPONENTS

1. SERVICE FOR REFRIGERANT LINES

[a] REFRIGERANT RECOVERY

The icemaker unit is provided with two Refrigerant Access Valves on the low-side and high-side lines. Recover the refrigerant from the Access Valves and store it in an approved container. Do not discharge the refrigerant into the atmosphere.

[b] EVACUATION AND RECHARGE

- 1) Attach Charging Hoses, a Service Manifold and a Vacuum Pump to the system. For models with the Line Valve, be sure to connect Charging Hoses to both high-side and low-side lines, or the high-side line cannot be evacuated because of the Line Valve.
- 2) Turn on the Vacuum Pump.
- 3) Allow the Vacuum Pump to pull down to a 29.9" Hg vacuum. Evacuating period depends on pump capacity.
- 4) Close the Low-side Valve and High-side Valve on the Service Manifold.
- 5) Disconnect the Vacuum Pump, and attach a Refrigerant Service Cylinder to the Low-side line. Remember to loosen the connection, and purge the air from the Hose. For air-cooled and water-cooled models, see the Nameplate for the required refrigerant charge. For remote air-cooled models, see the Charge Label in the machine compartment. Hoshizaki recommends only virgin refrigerant or reclaimed refrigerant which meets ARI Standard No. 700-88 be used.
- 6) Open the Low-side Valve. Do not invert the Service Cylinder. A liquid charge will damage the Compressor.
- 7) Turn on the icemaker when charging speed gets slow. Turn off the icemaker when the Low-side Gauge shows approximately 0 PSIG. Do not run the icemaker at negative pressures. Close the Low-side Valve when the Service Cylinder gets empty.
- 8) Repeat the above steps 4) through 7), if necessary, until the required amount of refrigerant has entered the system.
- 9) Close the two Refrigerant Access Valves, and disconnect the Hoses and Service Manifold.
- 10) Cap the Access Valves to prevent a possible leak.

2. BRAZING

WARNING

1. Refrigerant R22 itself is not flammable, explosive or poisonous. However, when exposed to an open flame, R22 creates Phosgene gas, hazardous in large amounts.
2. Always recover the refrigerant and store it in an approved container. Do not discharge the refrigerant into the atmosphere.
3. Do not use silver alloy or copper alloy containing Arsenic.

Note: All brazing-connections in the Evaporator Case are clear-paint coated. Sandpaper the brazing-connections before unbrazing the components. Use a good abrasive cloth to remove paint.

3. REMOVAL AND REPLACEMENT OF COMPRESSOR

IMPORTANT

Always install a new Drier every time the sealed refrigeration system is opened. Do not replace the Drier until after all other repair or replacement has been made.

Note: When replacing a Compressor with a defective winding, be sure to install the Start Capacitor, Run Capacitor and Start Relay supplied with the replacement Compressor.

- 1) Turn off the power supply.
- 2) Remove the panels.
- 3) Recover the refrigerant and store it in an approved container.
- 4) Remove the terminal Cover on the Compressor, and disconnect the Compressor Wiring.
- 5) Remove the Discharge and Suction Pipes using brazing equipment.
- 6) Remove the Hold-down Bolts, Washers and Rubber Grommets.

- 7) Slide and remove the Compressor. Unpack the new Compressor package. Install the new Compressor.
- 8) Attach the Rubber Grommets of the prior Compressor.
- 9) Sandpaper the Suction, Discharge and Process Pipes.
- 10) Place the Compressor in position, and secure it using the Bolts and Washers.
- 11) Remove plugs from the Suction, Discharge and Process Pipes.
- 12) Braze the Process, Suction and Discharge lines (Do not change this order), while purging with nitrogen gas flowing at the pressure 3 - 4 PSIG.
- 13) Install the new Drier.
- 14) Check for leaks using nitrogen gas (140 PSIG) and soap bubbles.
- 15) Evacuate the system, and charge it with refrigerant. For air-cooled and water-cooled models, see the Nameplate for the required refrigerant charge. For remote air-cooled models, see the Charge Label in the machine compartment.
- 16) Connect the Terminals, and replace the Terminal Cover in its correct position.
- 17) Replace the panels in their correct positions.
- 18) Turn on the power supply.

4. REMOVAL AND REPLACEMENT OF DRIER

IMPORTANT

Always install a new Drier every time the sealed refrigeration system is opened. Do not replace the Drier until after all other repair or replacement has been made.

- 1) Turn off the power supply.
- 2) Remove the panels.
- 3) Recover the refrigerant and store it in an approved container.
- 4) Remove the Drier.
- 5) Install the new Drier, with the arrow on the Drier, in the direction of the refrigerant flow. Use nitrogen gas at the pressure of 3 - 4 PSIG when brazing the tubings.
- 6) Check for leaks using nitrogen gas (140 PSIG) and soap bubbles.
- 7) Evacuate the system, and charge it with refrigerant. For air-cooled and water-cooled models, see the Nameplate for the required refrigerant charge. For remote air-cooled models, see the Charge Label in the machine compartment.
- 8) Replace the panels in their correct positions.
- 9) Turn on the power supply.

5. REMOVAL AND REPLACEMENT OF EXPANSION VALVE

IMPORTANT

Sometimes moisture in the refrigerant circuit exceeds the Drier capacity and freezes up at the Expansion Valve. Always install a new Drier every time the sealed refrigeration system is opened. Do not replace the Drier until after all other repair or replacement has been made.

- 1) Turn off the power.
- 2) Remove the panels.

- 3) Recover the refrigerant and store it in an approved container.
- 4) Remove the insulation and the Expansion Valve Bulb on the suction line.
- 5) Remove the Expansion Valve Cover, and disconnect the Expansion Valve using brazing equipment.
- 6) Braze the new Expansion Valve, with nitrogen gas flowing at the pressure of 3 - 4 PSIG.

WARNING

Always protect the valve body by using a damp cloth to prevent the valve from overheating. Do not braze with the valve body exceeding 250°F.

- 7) Install the new Drier.
- 8) Check for leaks using nitrogen gas (140 PSIG) and soap bubbles.
- 9) Evacuate the system, and charge it with refrigerant. For air-cooled and water-cooled models, see the Nameplate for the required refrigerant charge. For remote air-cooled models, see the Charge Label in the machine compartment.
- 10) Attach the Bulb to the suction line in position. Be sure to secure it with clamps and to insulate it.
- 11) Place the new set of Expansion Valve Covers in position.
- 12) Replace the panels in their correct positions
- 13) Turn on the power supply.

6. REMOVAL AND REPLACEMENT OF HOT GAS VALVE AND LINE VALVE

CAUTION

Always use a copper tube of the same diameter and length when replacing the hot gas lines; otherwise the performance may be reduced.

IMPORTANT

Always install a new Drier every time the sealed refrigeration system is opened. Do not replace the Drier until after all other repair or replacement has been made.

- 1) Turn off the power supply.
- 2) Remove the panels.
- 3) Recover the refrigerant and store it in an approved container.
- 4) Remove the screw and the Solenoid.
- 5) Disconnect the Hot Gas Valve or Line Valve.
- 6) Install the new valve.

WARNING

Always protect the valve body by using a damp cloth to prevent the valve from overheating. Do not braze with the valve body exceeding 250°F.

- 7) Install the new Drier.
- 8) Check for leaks using nitrogen gas (140 PSIG) and soap bubbles.
- 9) Evacuate the system, and charge it with refrigerant. For air-cooled and water-cooled models, see the Nameplate for the required refrigerant charge. For remote air-cooled models, see the Charge Label in the machine compartment.
- 10) Cut the leads of the Solenoid allowing enough lead length to reconnect using closed end connectors.
- 11) Connect the new Solenoid leads.
- 12) Attach the Solenoid to the valve body, and secure it with a screw.
- 13) Replace the panels in their correct positions.
- 14) Turn on the power supply.

7. REMOVAL AND REPLACEMENT OF EVAPORATOR

IMPORTANT

Always install a new Drier every time the sealed refrigeration system is opened. Do not replace the Drier until after all other repairs or replacement have been made.

- 1) Turn off the power supply.
- 2) Remove the panels and the Top Insulation over the Evaporator.
- 3) Recover the refrigerant and store it in an approved container.
- 4) Remove the Spray Tubes and the Insulations at the "U" shaped notch where the refrigeration tubings go through the chassis.
- 5) Remove the Insulation Tube, and disconnect the Evaporator Inlet Tubing at the Tee next to the Expansion Valve.
- 6) Lift up the Evaporator, and disconnect the Evaporator Outlet Tubing.
- 7) Install the new Evaporator.
- 8) Install the new Drier.
- 9) Check for leaks using nitrogen gas (140 PSIG) and soap bubbles.
- 10) Evacuate the system, and charge it with refrigerant. See the Nameplate for the required refrigerant charge.
- 11) Replace the removed parts in the reverse order of which they were removed.
- 12) Replace the Top Insulation and the panels in their correct positions.
- 13) Turn on the power supply.

8. REMOVAL AND REPLACEMENT OF WATER REGULATING VALVE - WATER-COOLED MODEL ONLY

IMPORTANT

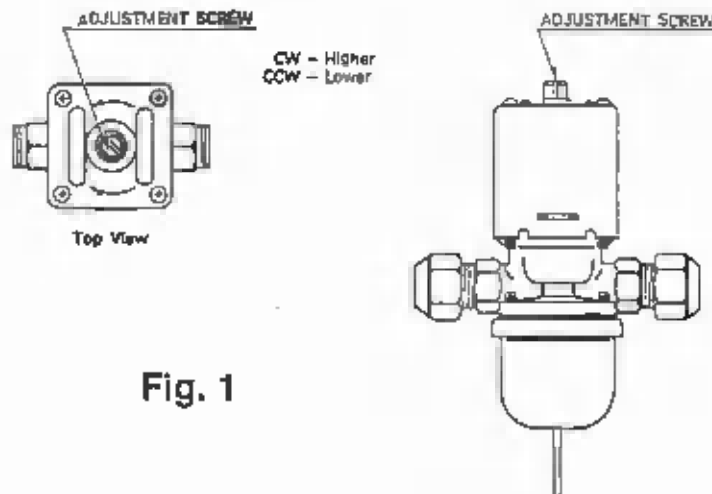
Always install a new Drier every time the sealed refrigeration system is opened. Do not replace the Drier until after all other repair or replacement has been made.

- 1) Turn off the power supply.
- 2) Close the Water Supply Line Shut-off Valve.
- 3) Remove the panels.
- 4) Recover the refrigerant and store it in an approved container.
- 5) Disconnect the Capillary Tube at the Condenser outlet using brazing equipment.
- 6) Disconnect the Flare-connections of the valve.
- 7) Remove the screws and the valve from the Bracket.
- 8) Install the new valve, and braze the Capillary Tube.
- 9) Install the new Drier.
- 10) Check for leaks using nitrogen gas (140 PSIG) and soap bubbles.
- 11) Evacuate the system, and charge it with refrigerant. See the Nameplate for the required refrigerant charge.
- 12) Connect the Flare-connections.
- 13) Open the Water Supply Line Shut-off Valve.
- 14) Check for water leaks.
- 15) Replace the panels in their correct positions.
- 16) Turn on the power supply.

9. ADJUSTMENT OF WATER REGULATING VALVE - WATER-COOLED MODEL ONLY

The Water Regulating Valve (also called "WATER REGULATOR") is factory-adjusted. No adjustment is required under normal use. Adjust the Water Regulator, if necessary, using the following procedures.

- 1) Attach a pressure gauge to the high-side line of the system. Or prepare a thermometer to check for the condenser drain temperature.
- 2) Rotate the adjustment screw by using a flat blade screwdriver, so that the pressure gauge shows the temperature specified in the table, 5 minutes after a freeze cycle or icemaking process starts. When the pressure exceeds 235 PSIG, or the condenser drain temperature exceeds the temperature range, rotate the adjustment screw counterclockwise. See Fig. 1.
- 3) Check that the pressure or the condenser drain temperature holds a stable setting.



MODEL	KM-500MWE		
WATER TEMP. (°F)	50	70	90
AMBIENT TEMP. (°F)			
70	100	100	105
80	99	105	105
90	99	105	105
100	100	105	105

10. REMOVAL AND REPLACEMENT OF CONDENSING PRESSURE REGULATOR (C.P.R.) - REMOTE AIR-COOLED MODEL ONLY

IMPORTANT

Always install a new Drier every time the sealed refrigeration system is opened. Do not replace the Drier until after all other repair or replacement has been made.

- 1) Turn off the power supply.
- 2) Remove the panels from the remote condenser unit.
- 3) Recover the refrigerant and store it in an approved container.
- 4) Before heating, break off the stub on the dome to release the dome charge.
- 5) Disconnect the C.P.R. using brazing equipment.
- 6) Install the new C.P.R. Use nitrogen gas at the pressure of 3 - 4 PSIG when brazing the C.P.R.

WARNING

Always protect the C.P.R. body by using a damp cloth to prevent the C.P.R. from overheating. Do not braze with the C.P.R. body exceeding 250° F.

- 7) Install the new Drier in the icemaker.
- 8) Check for leaks using nitrogen gas (140 PSIG) and soap bubbles.
- 9) Evacuate the system and charge it with refrigerant. See the Charge Label in the machine compartment in the icemaker.
- 10) Replace the panels in their correct positions.
- 11) Turn on the power supply.

11. REMOVAL AND REPLACEMENT OF THERMISTOR

CAUTION

1. Fragile, handle very carefully.
2. Always use a recommended sealant (High Thermal Conductive Type), Model KE4560RTV manufactured by SHINETSU SILICONE, Part Code 60Y000-11, or Part Code 4A0683-01 or equivalent.
3. Always use a recommended foam insulation (Non-absorbent Type) or equivalent.
4. Do not shorten or cut the Thermistor leads when installing it.

- 1) Turn off the power supply.
- 2) Remove the panels.
- 3) Remove the Control Box Cover.
- 4) Disconnect the Thermistor leads from the K3 Connector on the Controller Board.
- 5) Remove the Plastic Cable Ties, Foam Insulation, Thermistor Holder and Thermistor. See Fig. 2.

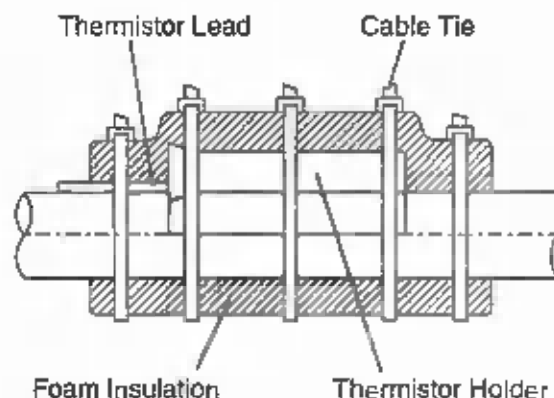


Fig. 2

- 6) Scrape away the old sealant on the Thermistor Holder and the Suction Pipe.
- 7) Wipe off moisture or condensation on the Suction Pipe.
- 8) Smoothly apply recommended sealant (KE4560RTV, Part Code 60Y000-11 or 4A0683-01) to the Thermistor Holder concave.
- 9) Attach the new Thermistor to the Suction Pipe very carefully to prevent damage to the leads. And secure it using the Thermistor Holder and recommended foam insulation.

Note: For models with the Liquid Bypass, the Thermistor should be located upstream from the Liquid Bypass outlet, and its end should be 4-3/4" or more away from the outlet. See Fig. 3.

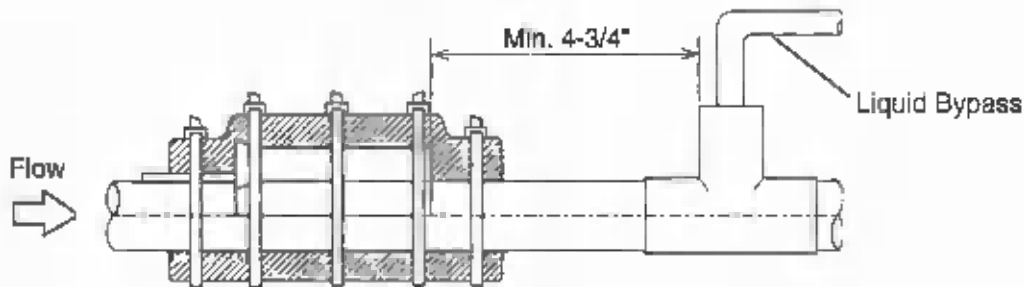


Fig. 3

- 10) Secure the insulation using the Plastic Cable Ties.
- 11) Connect the Thermistor leads through the bushing of the Control Box to the K3 Connector on the Controller Board.

Note: Do not cut the leads of the Thermistor while installing it.
- 12) Replace the Control Box Cover and the panels in their correct positions.
- 13) Turn on the power supply.

12. REMOVAL AND REPLACEMENT OF FAN MOTOR

Note: When replacing a Fan Motor with defective winding, it is recommended that a new capacitor be installed.

- 1) Turn off the power supply.
- 2) Remove the panels.
- 3) Remove the Junction Box Cover from the remote condenser unit (Remote Air-cooled model).
- 4) Remove the closed end connectors from the Fan Motor leads.
- 5) Remove the Fan Motor Bracket and Fan Motor.

- 6) Install the new Fan Motor, and replace the removed parts in the reverse order of which they were removed.
- 7) Replace the panels in their correct positions.
- 8) Replace the Junction Box Cover in its correct position (Remote Air-cooled model).
- 9) Turn on the power supply.

13. REMOVAL AND REPLACEMENT OF WATER VALVE

- 1) Turn off the power supply.
- 2) Close the Water Supply Line Shut-off Valve.
- 3) Remove the Front Panel.
- 4) Remove the Valve Outlet Tubing by releasing the Clamp.
- 5) Remove the Bracket from the unit.
- 6) Remove the Fitting Nut and Water Valve.
- 7) Disconnect the Terminals from the Water Valve.
- 8) Install the new Water Valve, and replace the removed parts in the reverse order of which they were removed.
- 9) Open the Water Supply Line Shut-off Valve.
- 10) Turn on the power supply.
- 11) Check for leaks.
- 12) Replace the Front Panel in its correct position.

14. REMOVAL AND REPLACEMENT OF PUMP MOTOR

- 1) Turn off the power supply.
- 2) Remove the Front Panel.

- 3) Remove the Base Cover.
- 4) Drain the Water Tank by removing one end of the Pump Tubing.
- 5) Replace the removed parts in their correct positions.
- 6) Disconnect the Pump Suction and Discharge Hoses.
- 7) Remove the screws and the Pump Motor Bracket.
- 8) Remove the closed end connectors from the Pump Motor leads.
- 9) Remove the two screws and the Pump Motor Bracket.
- 10) Remove the Pump Housing, and check the Impeller.
- 11) If the Impeller is defective, install a new Impeller.
- 12) Install the new motor or new parts, and replace the removed parts in the reverse order of which they were removed.
- 13) Turn on the power supply, and check for leaks.
- 14) Replace the Base Cover in its correct position.
- 15) Replace the Front Panel in its correct position.

15. REMOVAL AND REPLACEMENT OF SPRAY TUBES

- 1) Turn off the power supply.
- 2) Remove the Front Panel and the Insulation Panel.
- 3) Remove the Rubber Hoses from the Spray Tubes (Water Supply Pipe).
- 4) Release the Clamps, and disconnect the Rubber Hoses.
- 5) Remove the Spray Tubes by squeezing the side tabs.
- 6) Install the new Spray Tubes, and replace the removed parts in the reverse order of which they were removed.
- 7) Replace the panels in their correct positions.
- 8) Turn on the power supply.

VI. MAINTENANCE AND CLEANING INSTRUCTIONS

1. PREPARING THE ICEMAKER FOR LONG STORAGE

WARNING

When shutting off the icemaker for an extended time, drain out all water from the water tank and remove the ice from the Storage Bin. The Storage Bin should be cleaned and dried. Drain the icemaker to prevent damage to the water supply line at sub-freezing temperatures, using air or carbon dioxide. Shut off the icemaker until the proper ambient temperature is resumed.

- When the icemaker is not used for two or three days, it is sufficient to only move the Control Switch to the "OFF" position, unless the icemaker will be at sub-freezing temperatures.

[1] On water-cooled model only, first remove the water from the water-cooled condenser:

- 1) Remove the Front Panel.
- 2) Move the Control Switch, on the Control Box, to the "OFF" position.
- 3) Wait 3 minutes.
- 4) Move the Control Switch to the "ICE" position.
- 5) Allow 5 minutes for the icemaker to fill with water and the Water Pump to start operating.
- 6) Close the Water-cooled Condenser Water Supply Line Shut-off Valve.
- 7) Open the Drain Valve for the water-cooled condenser water supply line.
- 8) Allow the line to drain by gravity.
- 9) Attach compressed air or carbon dioxide supply to the Condenser Water Line Drain Valve.
- 10) Quickly blow the water-cooled Condenser out, using compressed air or carbon dioxide until water stops coming out.

[2] Remove the water from the potable water supply line:

- 1) Remove the Front Panel. (Except water-cooled model)
- 2) Move the Control Switch, on the Control Box, to the "OFF" position.
- 3) Wait 3 minutes.
- 4) Close the Potable Water Supply Line Shut-off Valve and open the Potable Water Supply Line Drain Valve.
- 5) Allow the line to drain by gravity.
- 6) Attach compressed air or carbon dioxide supply to the Potable Water Line Drain Valve.
- 7) Move the Control Switch to the "ICE" position.
- 8) Blow the potable water line out using compressed air or carbon dioxide.

[3] Drain the Potable Water Tank:

- 1) Turn off the power supply.
- 2) Move the Control Switch to the "OFF" position.
- 3) Drain the Water Tank by removing the base cover and one end of the pump tubing. See Fig. 4.
- 4) Replace the removed parts in their correct positions.
- 5) Remove all ice from the Storage Bin, and clean the Storage Bin.
- 6) Replace the Front Panel in its correct position.
- 7) Close the Drain Valve.

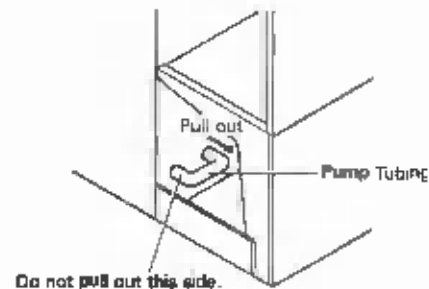


Fig. 4

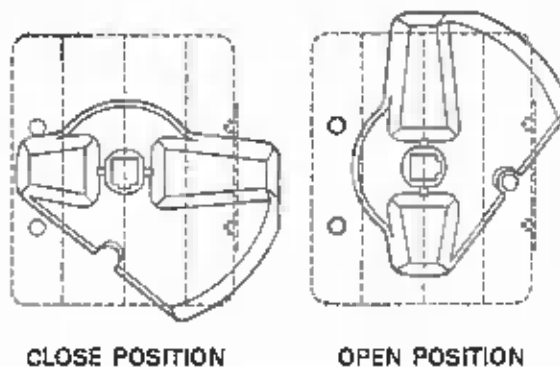
2. CLEANING AND SANITIZING PROCEDURES

WARNING

1. HOSHIZAKI recommends cleaning this unit at least once a year. More frequent cleaning, however, may be required in some existing water conditions.
2. To prevent injury to individuals and damage to the icemaker, do not use ammonia type cleaners.
3. Always wear liquid-proof gloves for safe handling of the cleaning and sanitizing solution. This will prevent irritation in case the solution comes into contact with skin.

IMPORTANT

1. The Cleaning Valve is used to allow solution flow to the inside of the Evaporator during the cleaning and sanitizing operation. It should be closed for all icemaking operation. The Compressor will not operate unless this valve is completely closed.
2. To open the Cleaning Valve, the Valve Handle should be parallel to the valve body. To close the valve, the Valve Handle should be at a right angle to the valve body.



CLOSE POSITION

OPEN POSITION

[a] CLEANING PROCEDURE

- 1) Dilute 16 fl. oz. of the recommended cleaner Hoshizaki "Scale Away" or "LIME-A-WAY" (Economics Laboratory, Inc.) with 3 gal. of water.
- 2) Remove all ice from the Evaporator and the Storage Bin.

Note: To remove cubes on the Evaporator, turn off the power supply and turn it on after 3 minutes. The defrost cycle starts and the cubes will be removed from the Evaporator.

- 3) Turn off the power supply.
- 4) Remove the Front Panel and then remove the Insulation Panel, by first removing the thumbscrew, lifting the panel slightly and pulling it toward you.
- 5) Remove the Base Cover.
- 6) Drain the Water Tank by removing one end of the Pump Tubing. See Fig. 4.
- 7) Replace the removed parts in their correct positions.
- 8) Pour the cleaning solution into the Water Tank.
- 9) Fully open the Cleaning Valve on the left side wall of the machine compartment.
- 10) Move the Control Switch, on the Control Box, to the "WASH" position.
- 11) Replace the Insulation Panel and the Front Panel in their correct positions.
- 12) Turn on the power supply, and start the washing process.
- 13) Turn off the power supply after 30 minutes.
- 14) Remove the Front Panel and the Insulation Panel.
- 15) Drain the Water Tank. (See the above step 6).
- 16) Replace the removed parts in their correct positions.
- 17) Move the Control Switch to the "ICE" position.
- 18) Close the Cleaning Valve.

Note: The icemaker will not operate unless the Cleaning Valve is completely closed.

- 19) Replace the Front Panel in its correct position.
- 20) Turn on the power supply to fill the Water Tank with water.
- 21) Turn off the power supply after 3 minutes.
- 22) Remove the Front Panel, and fully open the Cleaning Valve.
- 23) Move the Control Switch to the "Wash" position.
- 24) Replace the Front Panel in its correct position.
- 25) Turn on the power supply to rise off the cleaning solution.
- 26) Turn off the power supply after 5 minutes.
- 27) Remove the Front Panel and Insulation Panel.
- 28) Drain the Water Tank by removing one end of the Pump Tubing. See Fig. 4.
- 29) Replace the removed parts in their correct positions.

Note: Do not replace the Insulation Panel when you proceed to "[b] SANITIZING PROCEDURE."

- 28) Repeat the above steps 17 through 29 three more times to rinse thoroughly.

Note: If you do not sanitize the icemaker, go to step 9 in "[b] SANITIZING PROCEDURE."

[b] SANITIZING PROCEDURE - Following Cleaning Procedure

- 1) Dilute IMS-II Sanitizer or a 5.25 % Sodium Hypochlorite solution with water (Add 1.5 fl. oz. of sanitizer to 3 gal. of water).

Note: IMS-II Sanitizer, Part #SA0004, is available through your Hoshizaki Dealer.

- 2) Remove the Insulation Panel, if it is in its usual position.
- 3) Pour the sanitizing solution into the Water Tank.
- 4) Replace the Insulation Panel and the Front Panel in their correct positions.

Note: Make sure that the Control Switch is in the "WASH" position and the Cleaning Valve is open.

- 5) Turn on the power supply, and start the sanitizing process.
- 6) Turn off the power supply after 15 minutes.
- 7) Remove the Front Panel and if necessary, the Insulation Panel.
- 8) Drain the Water Tank. See the above step 5) in "[a] CLEANING PROCEDURE."
- 9) Replace the removed parts and the Insulation Panel in their correct position.
- 10) Repeat the above steps 17) through 29) in "[a] CLEANING PROCEDURE" two times to rinse thoroughly.
- 11) Close the Cleaning Valve.
- 12) Move the Control Switch to the "ICE" position.
- 13) Replace the Front Panel in its correct position.
- 14) Clean the Storage Bin with water.
- 15) Turn on the power supply, and start the automatic icemaking process.

3. MAINTENANCE

IMPORTANT

This icemaker must be maintained individually, referring to the instruction manual and labels provided with the icemaker.

1) Stainless Steel Exterior

To prevent corrosion, wipe the exterior occasionally with a clean and soft cloth. Use a damp cloth containing a neutral cleaner to wipe off oil or dirt build up.

2) Storage Bin and Scoop

- Wash your hands before removing ice. Use the plastic scoop provided.
- The Storage Bin is for ice use only. Do not store anything else in the bin.
- Keep the scoop clean. Clean it by using a neutral cleaner and rinse thoroughly.
- Clean the bin liner by using a neutral cleaner. Rinse thoroughly after cleaning.

3) Condenser (Except water-cooled model)

Check the Condenser once a year, and clean, if required, by using a brush or vacuum cleaner. More frequent cleaning may be required depending on the location of the icemaker.