

NO. 71153

ISSUED: NOV. 2, 1999

REVISED: JUNE 26, 2002



**HOSHIZAKI
MODULAR CRESCENT CUBER**

MODEL

KM-500MAF

KM-500MWF

KM-500MRF

(FINAL) PARTS LIST

HA

KM-500MAF	J-0	Jan., 1999
	J-1	June 1999
	K-0	Dec., 1999
	L-0	Jan., 2001
	L-1	March 2001

KM-500MWF	J-0	Jan., 1999
	J-1	June 1999
	K-0	Dec., 1999
	L-0	Jan., 2001

KM-500MRF	J-0	Jan., 1999
	J-1	June 1999
	K-0	Dec., 1999
	L-0	Jan., 2001

MATERIAL ABBREVIATIONS

ALUMINUM

AL = Aluminum

COPPER

CU = Copper

PLASTIC

ABS = Acrylonitrile -butadiene - styrene
 AC = Polyacetal
 EVA = Ethylene vinyl acetate
 PA = Polyamide = Nylon
 PC = Polycarbonate
 PE = Polyethylene
 PES = Polyester
 PETP = Polyethylene terephthalate = Tetlon
 PP = Polypropylene
 PS = Polystyrene
 PTFE = Polytetrafluoroethylene = Teflon
 PUR = Polyurethane
 PVC = Polyvinyl chloride

RUBBER

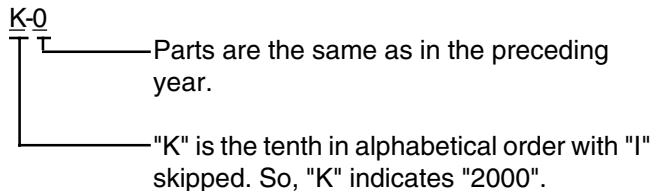
VN = Vinyl Nitrile
 EPDM = EP rubber
 NBR = Nitrile butadiene rubber
 NR = Natural rubber
 NP = Neoprene
 SI.R = Silicone rubber
 SY.R = Synthetic rubber
 EPH = Epichlorohydrin

STEEL

GS = Galvanized steel
 SS = Stainless steel
 PS = Plated steel
 PAS = Primed steel

AUXILIARY CODE

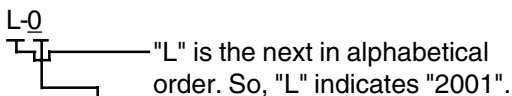
Ex.1



(Note) - = Part deleted.

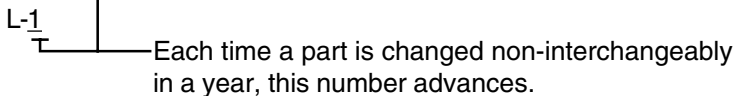
x = Part deleted and replaced by "o" (interchangeable) part.

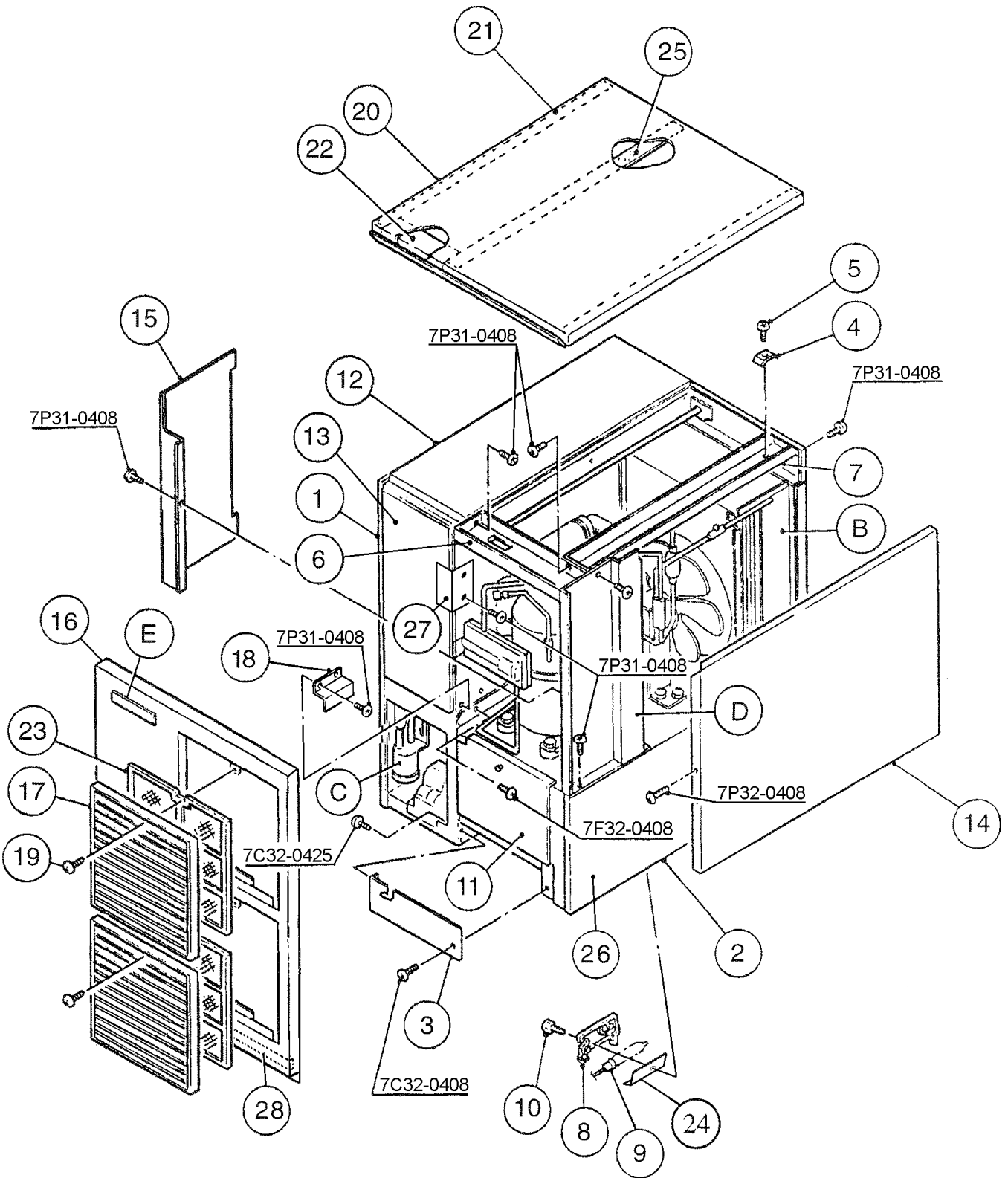
Ex.2



o = New part for "x" in the same auxiliary code.

Ex.3





MODEL: KM-500MAF TITLE: A. ICE CUBER ASSEMBLY								
INDEX NO.	DESCRIPTION	MATERIAL OR MODEL NUMBER	PART NUMBER	REQUIRED NUMBER				
				J-0 J-1	K-0	L-0	L-1	
B	REFRIGERATION CIRCUIT	-	1A0420A01	1	1	-		
		-	1A0420A03			1	1	
C	WATER CIRCUIT	HS-1204	1A0283A01	1	1	1	1	
D	CONTROL BOX ASSEMBLY	-	2A1497A01	1	1	x1		
		-	2A1959A01			o1	1	
	T2 SCREW	4X8	7P31-0408	4	4	4	4	
E	LABEL LOCATION	-	3A1234A01	1	1	1	1	
1	EVAP. CASE	HS-1010	1A0277G01	1	1	x1		
		HS-1010	1A0532G01			o1	1	
2	BASE	-	2A1321G06	1	1	1	1	
	FT SCREW	4X8	7F31-0408	7	7	7	7	
3	FRAME	ABS	3A0217G01	1	1	1	1	
	TRUSS HEAD SCREW	4X8, SS	7C32-0408	1	1	1	1	
	TRUSS HEAD SCREW	4X25, SS	7C32-0425	2	2	2	2	
4	SQUARE WASHER	BRASS	433537-02	1	1	1	1	
5	SCREW - GROUNDING	BRASS	433304-02	1	1	1	1	
6	TOP FRAME	GS	332443-01	1	1	1	1	
	T2 SCREW	4X8	7P31-0408	4	4	4	4	
7	SIDE FRAME	GS	332465G01	1	1	1	1	
	T2 SCREW	4X8	7P31-0408	1	1	1	1	
8	BULB HOLDER	PE	328919-01	1	1	1	1	
9	SPACER	PE	443545-01	1	1	1	1	
10	THUMBSCREW	SS, ABS	415949G03	2	2	2	2	
11	BASE COVER	SS	321525G01	1	1	1	1	
12	TOP INSULATION	PP	215730G01	1	1	1	1	
13	FRONT INSULATION	PP	215731G01	1	1	1	1	
14	SIDE PANEL (R)	SS	211811G06	1	1	1	1	
	T2 SCREW	4X8, SS	7P32-0408	1	1	1	1	
15	CONTROL BOX COVER	GS	332466-01	1	1	1	1	
	T2 SCREW	4X8	7P31-0408	1	1	1	1	

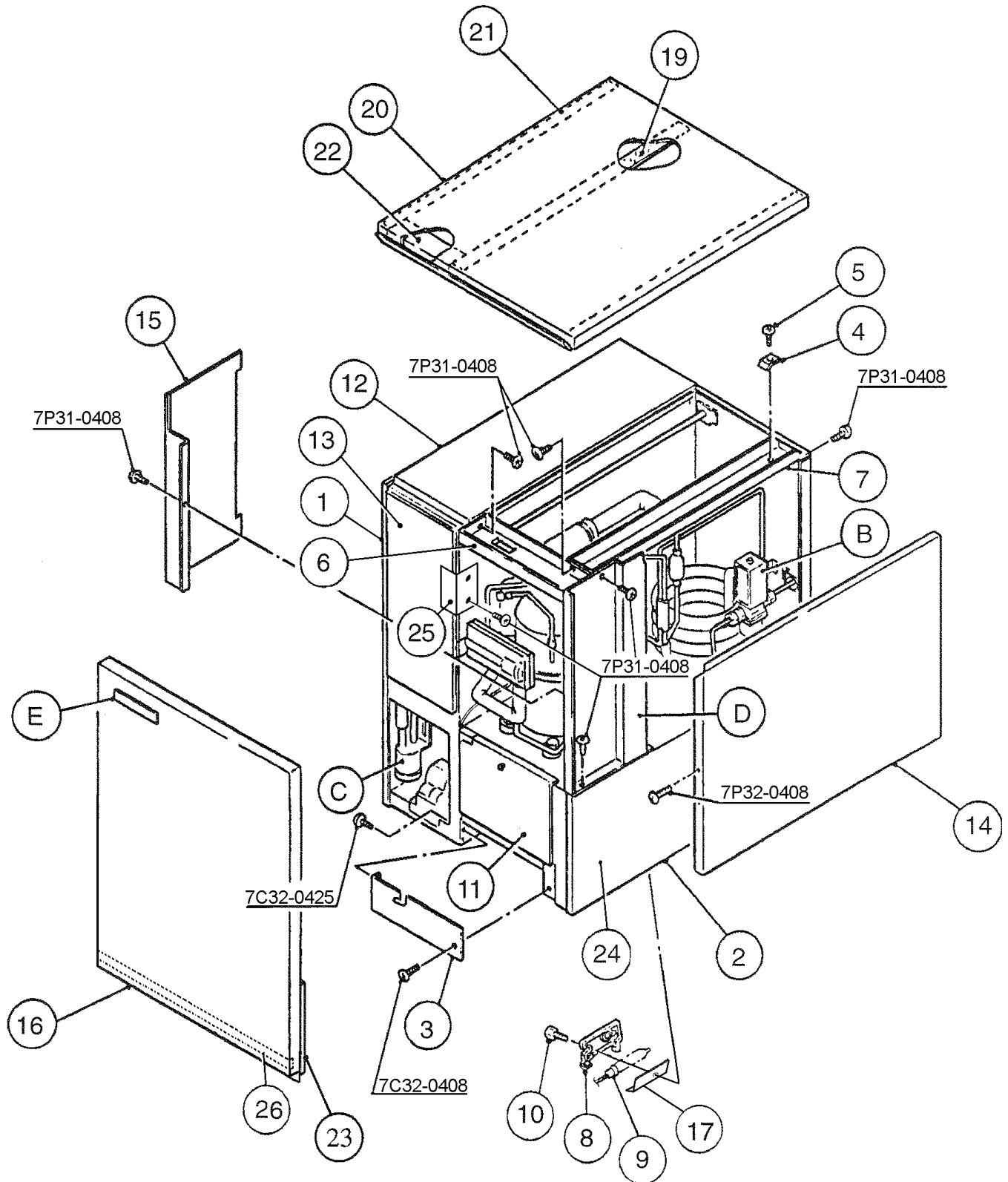
MODEL: KM-500MAF TITLE: A. ICE CUBER ASSEMBLY								
INDEX NO.	DESCRIPTION	MATERIAL OR MODEL NUMBER	PART NUMBER	REQUIRED NUMBER				
				J-0 J-1	K-0	L-0	L-1	
16	FRONT PANEL	SS	3A1175G01	1	1	1	1	
17	LOUVER (B)	ABS	103121-03	2	2	2	2	
18	BARRIER	GS	4A0362-01	1	1	1	1	
	T2 SCREW	4X8	7P31-0408	2	2	2	2	
19	TAPPING SCREW (BLACK)	STEEL, 4x8	433954-01	2	2	2	2	
20	TOP PANEL	SS (324859A03)	220465-01	1	1	1	1	
21	GASKET	PVC (324859A03)	427014-04	2	2	2	2	
22	INSULATION	PE FOAM (324859A03)	438012-01	1	1	1	1	
23	AIR FILTER (B)	ABS	208283G03	2	2	2	2	
24	DEFLECTOR	SS	4A1951-01	1	1	1	1	
25	GASKET (A)	(324859A03)	324859-03	1	1	1	1	
26	SIDE PANEL (R) – BASE	SS	212620-01	1	1	1	1	
27	BARRIER-INSULATION	GS	4A1167-01		1	1	1	
	T2 SCREW	4x8	7P31-0408		2	2	2	
28	GASKET	L=554	4A0808L02			1	1	

HA

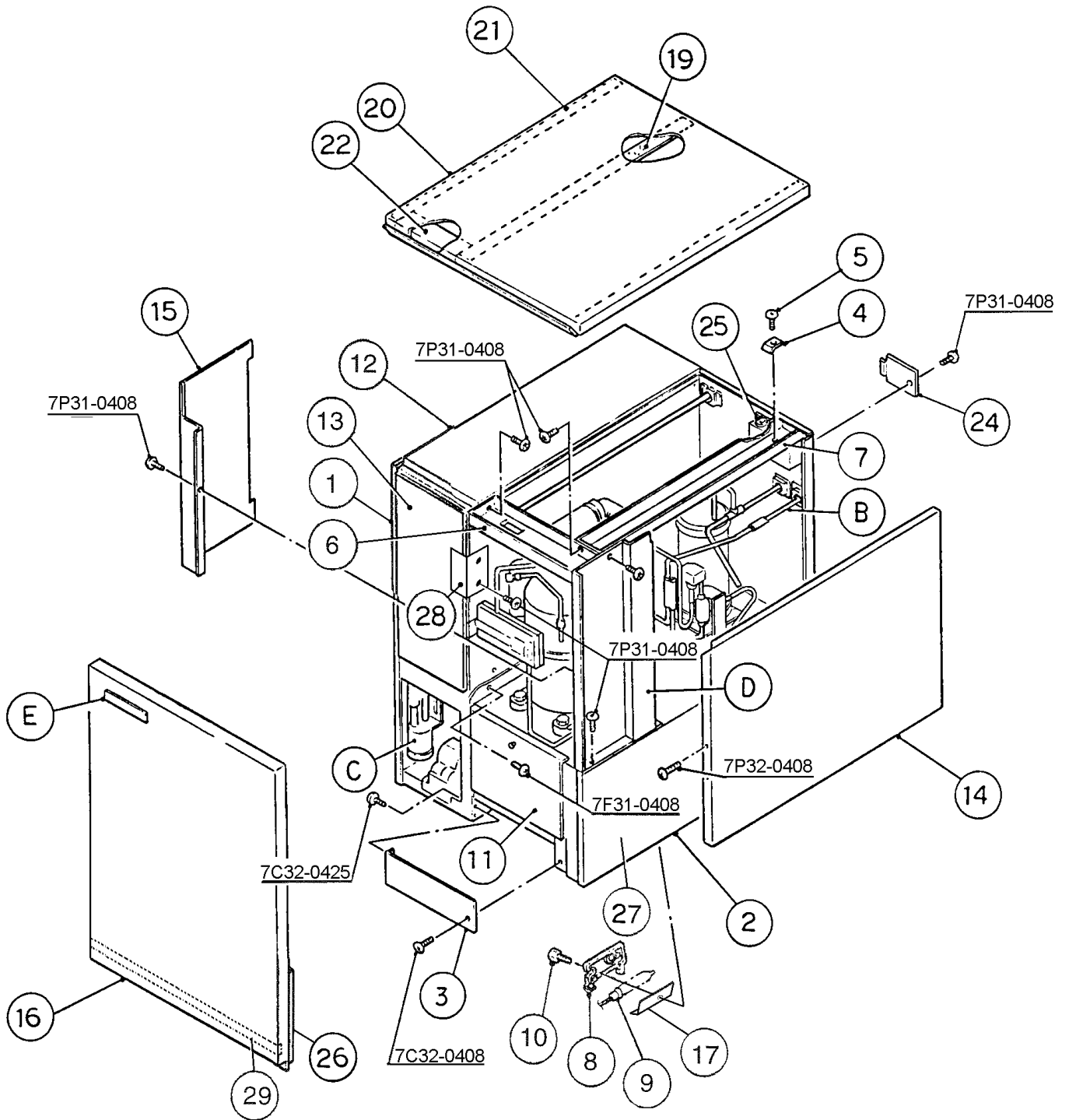
KM-500MWF

A. ICE CUBER ASSEMBLY

J-0, J-1, K-0, L-0



MODEL: KM-500MWF TITLE: A. ICE CUBER ASSEMBLY								
INDEX NO.	DESCRIPTION	MATERIAL OR MODEL NUMBER	PART NUMBER	REQUIRED NUMBER				
				J-0 J-1	K-0	L-0		
B	REFRIGERATION CIRCUIT	-	1A0421A01	1	1	-		
		-	1A0421A03			1		
C	WATER CIRCUIT	HS-1204	1A0283A01	1	1	1		
D	CONTROL BOX ASSEMBLY	-	2A1497A02	1	1	x1		
		-	2A1959A02			o1		
	T2 SCREW	4X8	7P31-0408	4	4	4		
E	LABEL LOCATION	-	3A1245A01	1	1	-		
		-	3A1245A02			1		
1	EVAP. CASE	HS-1010	1A0277G01	1	1	x1		
		HS-1010	1A0532G01			o1		
2	BASE	-	2A1321G05	1	1	1		
	FT SCREW	4X8	7F31-0408	7	7	7		
3	FRAME	-	3A0217G01	1	1	1		
	TRUSS HEAD SCREW	4X8, SS	7C32-0408	1	1	1		
	TRUSS HEAD SCREW	4X25, SS	7C32-0425	2	2	2		
4	SQUARE WASHER	BRASS	433537-02	1	1	1		
5	SCREW - GROUNDING	BRASS	433304-02	1	1	1		
6	TOP FRAME	GS	332443-01	1	1	1		
	T2 SCREW	4X8	7P31-0408	4	4	4		
7	SIDE FRAME	GS	332465G01	1	1	1		
	T2 SCREW	4X8	7P31-0408	2	2	2		
8	BULB HOLDER	PE	328919-01	1	1	1		
9	SPACER	PE	443545-01	1	1	1		
10	THUMBSCREW	SS, ABS	415949G03	2	2	2		
11	BASE COVER	SS	321525G01	1	1	1		
12	TOP INSULATION	PP	215730G01	1	1	1		
13	FRONT INSULATION	PP	215731G01	1	1	1		
14	SIDE PANEL (R)	SS	211811G06	1	1	1		
	T2 SCREW	4X8, SS	7P32-0408	1	1	1		

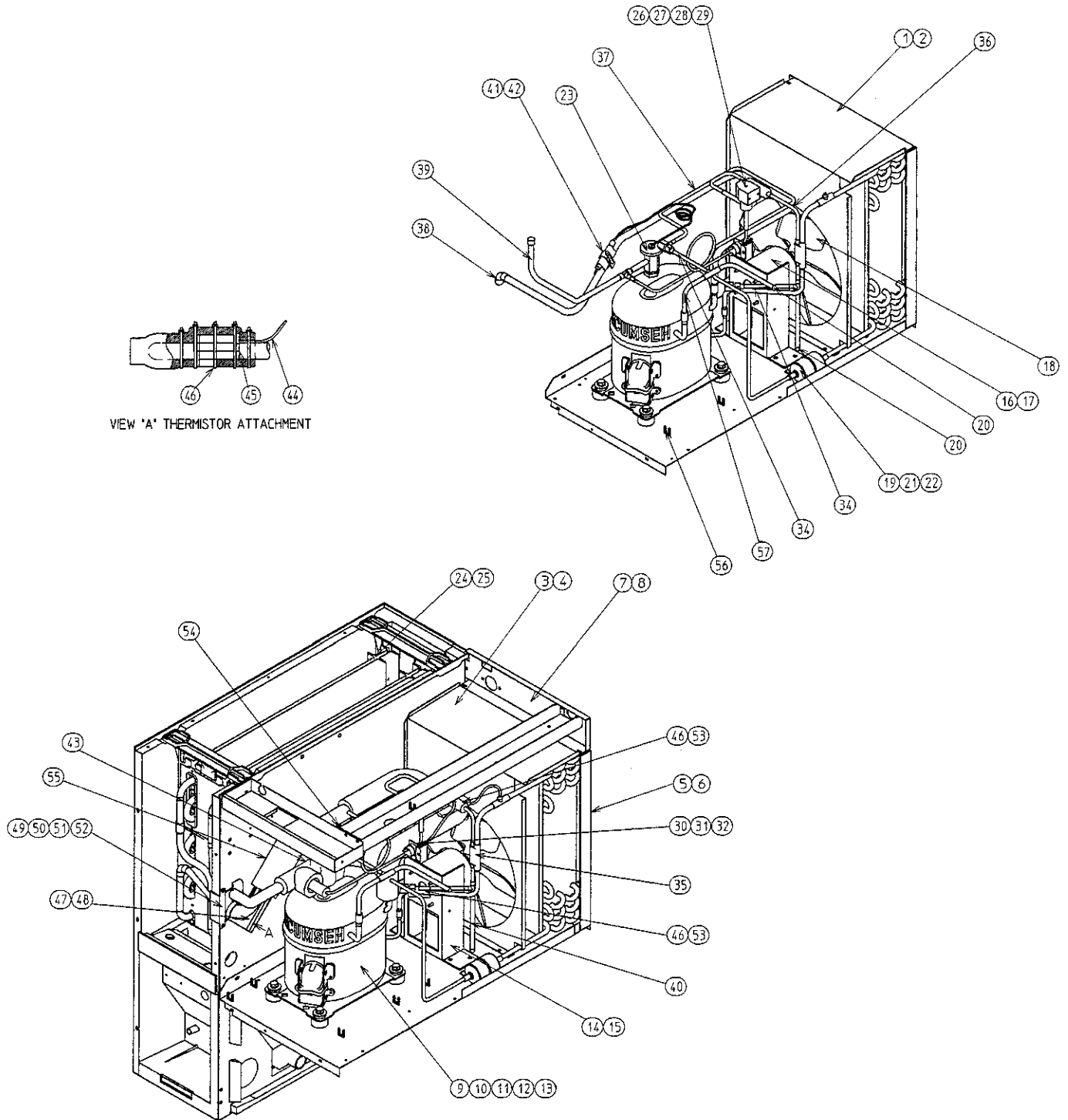


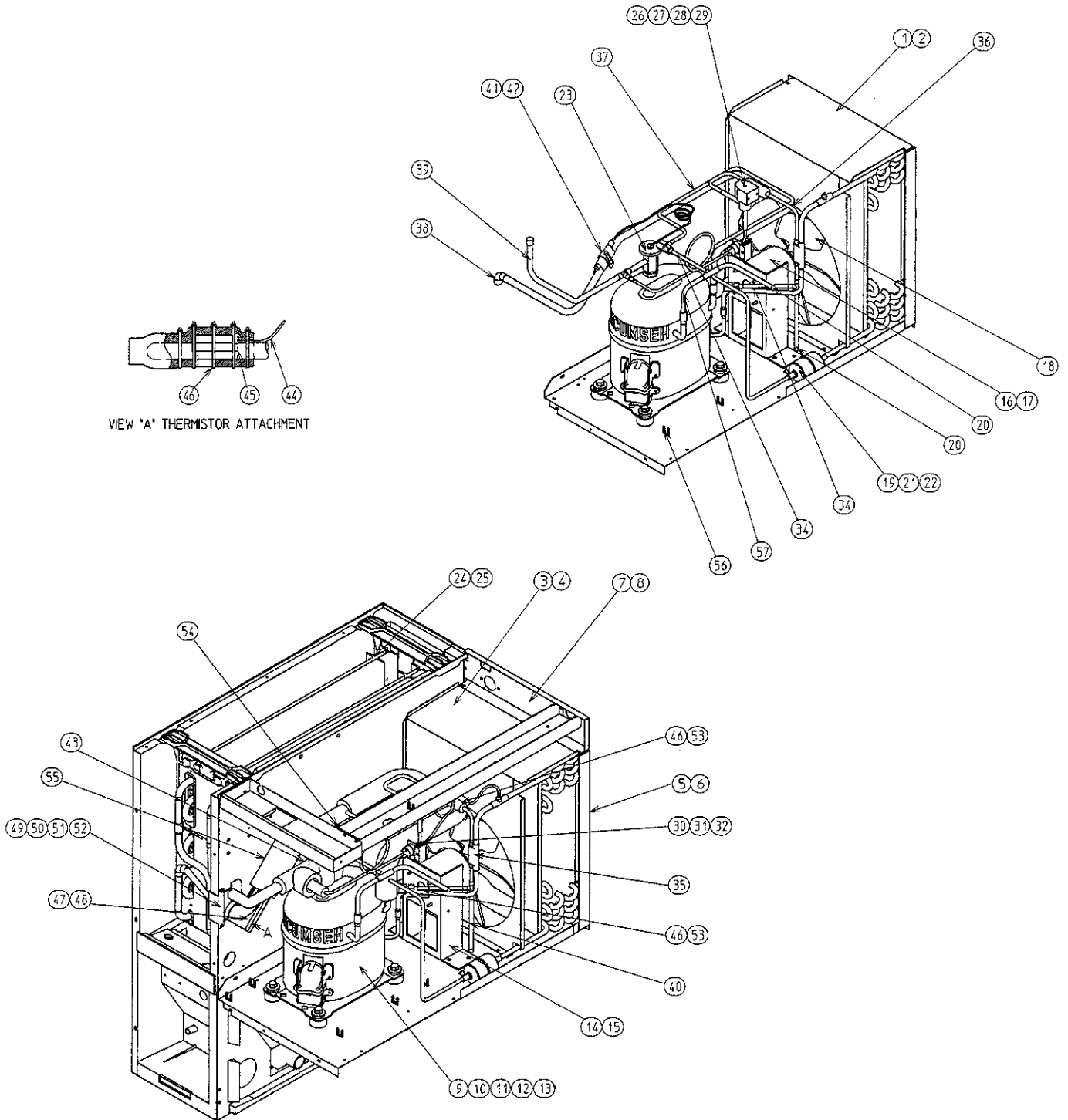
HA

MODEL: KM-500MRF TITLE: A. ICE CUBER ASSEMBLY								
INDEX NO.	DESCRIPTION	MATERIAL OR MODEL NUMBER	PART NUMBER	REQUIRED NUMBER				
				J-0 J-1	K-0	L-0		
B	REFRIGERATION CIRCUIT	-	1A0422A01	1	1	1		
C	WATER CIRCUIT	HS-1204	1A0283A01	1	1	1		
D	CONTROL BOX ASSEMBLY	-	2A1497A02	1	1	x1		
		-	2A1959A02			o1		
	T2 SCREW	4X8	7P31-0408	4	4	4		
E	LABEL LOCATION	-	3A1246A01	1	1	1		
1	EVAP. CASE	HS-1010	1A0277G01	1	1	x1		
2	BASE	-	2A1321G07	1	1	1		
	FT SCREW	4X8	7F31-0408	7	7	7		
3	FRAME	-	3A0217G01	1	1	1		
	TRUSS HEAD SCREW	4X8, SS	7C32-0408	1	1	1		
	TRUSS HEAD SCREW	4X25, SS	7C32-0425	2	2	2		
4	SQUARE WASHER	BRASS	433537-02	1	1	1		
5	SCREW - GROUNDING	BRASS	433304-02	1	1	1		
6	TOP FRAME	GS	332443-01	1	1	1		
	T2 SCREW	4X8	7P31-0408	4	4	4		
7	SIDE FRAME	GS	332465G01	1	1	1		
	T2 SCREW	4X8	7P31-0408	2	2	2		
8	BULB HOLDER	PE	328919-01	1	1	1		
9	SPACER	PE	443545-01	1	1	1		
10	THUMBSCREW	SS, ABS	415949G03	2	2	2		
11	BASE COVER	SS	321525G01	1	1	1		
12	TOP INSULATION	PP	215730G01	1	1	1		
13	FRONT INSULATION	PP	215731G01	1	1	1		
14	SIDE PANEL (R)	SS	211811G06	1	1	1		
	T2 SCREW	4X8, SS	7P32-0408	1	1	1		
15	CONTROL BOX COVER	GS	332466-01	1	1	1		
	T2 SCREW	4X8	7P31-0408	1	1	1		

HA

MODEL: KM-500MRF TITLE: A. ICE CUBER ASSEMBLY								
INDEX NO.	DESCRIPTION	MATERIAL OR MODEL NUMBER	PART NUMBER	REQUIRED NUMBER				
				J-0 J-1	K-0	L-0		
16	FRONT PANEL	SS	3A1175G02	1	1	1		
17	DEFLECTOR	SS	4A1951-01	1	1	1		
18	-	-	-					
19	GASKET (A)	(324859A03)	324859-03	1	1	1		
20	TOP PANEL	SS , (324859A03)	220465-01	1	1	1		
21	GASKET	PVC, (324859A03)	427014-04	2	2	2		
22	INSULATION	PE FOAM, (324859A03)	438012-01	1	1	1		
23	-	-	-					
24	JUNCTION BOX COVER	GS	433410-01	1	1	1		
	T2 SCREW	4x8	7P31-0408	1	1	1		
25	BUSHING	SR-30-1	420472-03	1	1	1		
26	FRONT COVER	P.S	2A0182-01	1	1	1		
27	SIDE PANEL (R) – BASE	SS	212620-01	1	1	1		
28	BARRIER – INSULATION	GS	4A1167-01		1	1		
	T2 SCREW	4x8	7P31-0408		2	2		
29	GASKET	L=554	4A0808L02			1		

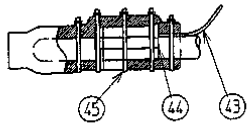
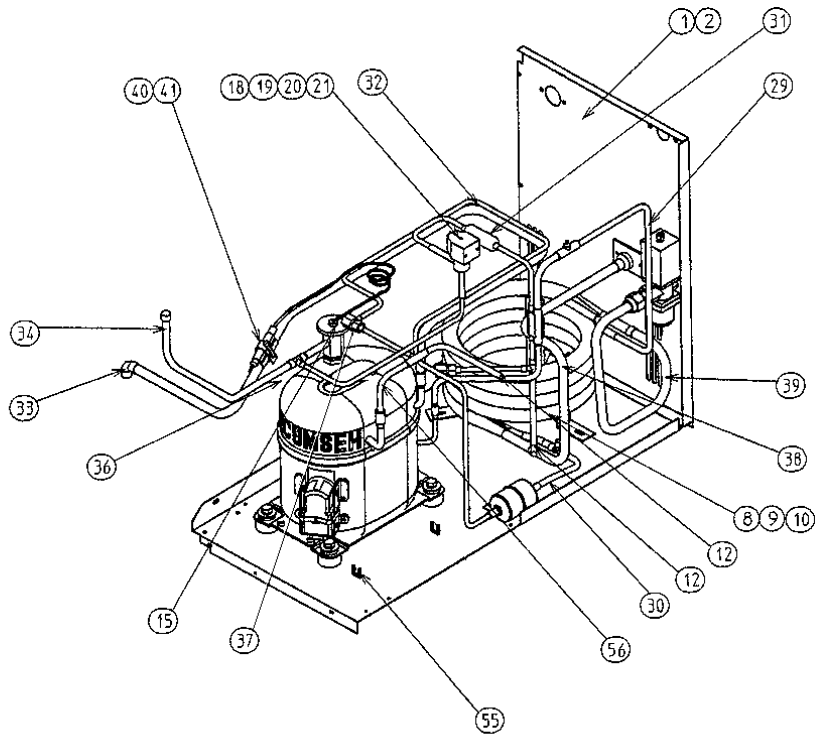




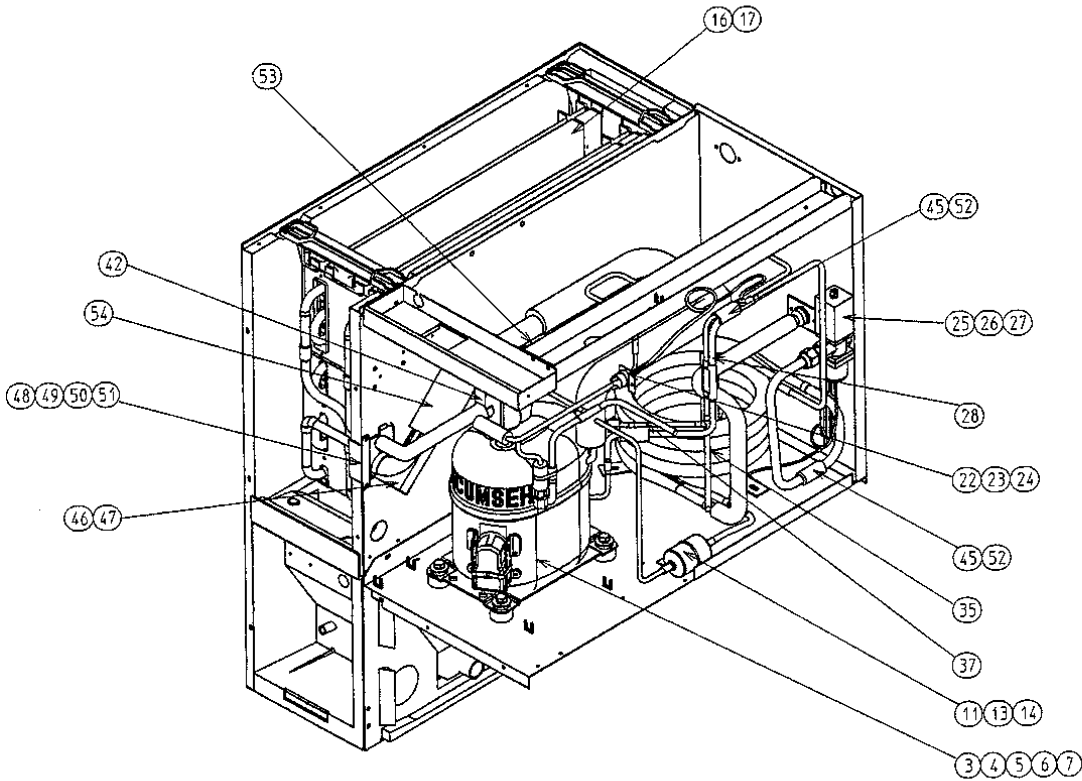
HA

MODEL: KM-500MAF TITLE: B. REFRIGERATION CIRCUIT								
INDEX NO.	DESCRIPTION	MATERIAL OR MODEL NUMBER	PART NUMBER	REQUIRED NUMBER				
				J-0 J-1	K-0	L-0	L-1	
1	CONDENSER	-	220491-01	1	1	1	1	
2	T2 SCREW	4X8	7P31-0408	2	2	2	2	
3	SHROUD	GS	2A0606-01	1	1	1	1	
4	T2 SCREW	4X8	7P31-0408	2	2	2	2	
5	BARRIER	GS	433693-04	1	1	1	1	
6	T2 SCREW	4X8	7P31-0408	2	2	2	2	
7	REAR PANEL	GS	3A0562-01	1	1	1	1	
8	T2 SCREW	4X8	7P31-0408	3	3	3	3	
9	COMPRESSOR	AKA9455ZXA	4A1820-01	1	1	1	1	
10	MOTOR PROTECTOR	8300MRAK30	4A1875-01	1	1	1	1	
11	BOLT	8x45	437889-01	4	4	4	4	
12	SPACER	027-0072-02	434404-01	4	4	4	4	
13	GROMMET	527-0039-04	434403-01	4	4	4	4	
14	FAN MOTOR BRACKET	GS	327179-01	1	1	1	1	
15	HEX BOLT ASSEMBLY (LF)	5X12, SS	7B0230512	4	4	4	4	
16	FAN MOTOR	U90B1, 7190-1031	440911-01	1	1	1	1	
17	SELF-LOCKING NUT	NO. 8-32	7N21I0832	4	4	4	4	
18	FAN BLADE	AD10CW32	444898-01	1	1	1	1	
19	DRIER	CW-0325-S	4A1413-01	1	1	1	1	
20	ENDCAP		4A1413F01	2	2	2	2	
21	DRIER BRACKET	GS	445847-01	1	1	1	1	
22	T2 SCREW	4X8	7P31-0408	1	1	1	1	
23	EXPANSION VALVE	AN3/4 SW65	4A1870-01	1	1	1	1	
24	EVAPORATOR	-	106492G01	1	1	1	1	
25	T2 SCREW	4X16, SS	7P32-0416	4	4	4	4	
26	VALVE BODY	70	440352-01	1	1	1	1	
27	COIL - VALVE	ABS-25-1-HD- 2	440353-01	1	1	1	1	
28	BOLT	4x6	440353F01	1	1	1	1	

MODEL: KM-500MAF TITLE: B. REFRIGERATION CIRCUIT								
INDEX NO.	DESCRIPTION	MATERIAL OR MODEL NUMBER	PART NUMBER	REQUIRED NUMBER				
				J-0 J-1	K-0	L-0	L-1	
29	TRUSS HEAD SCREW	4X8	7C31-0408	2	2	2	2	
30	PRESSURE SWITCH	ACB-1UB09	433441-07	1	1	1	1	
31	PRESSURE SWITCH BRACKET	GS	434938-01	1	1	1	1	
32	T2 SCREW	4X8	7P31-0408	1	1	1	1	
33	-	-	-					
34	ACCESS VALVE	FU180D001	446715-01	2	x2			
		-	457729-01		o2	2	2	
35	COPPER TUBE (A) - HIGH SIDE	COPPER	2A1435G01	1	1	1	1	
36	COPPER TUBE (D) - HIGH SIDE	COPPER	3A1238G01	1	1	1	1	
37	HEAT EXCHANGER	-	2A1478G01	1	1	-		
		-	2A1976G01			1	1	
38	ELBOW	COPPER	417395-03	1	1	1	1	
39	COPPER TUBE - HOT GAS	COPPER	2A1488G01	1	1	1	1	
40	COPPER TUBE (J)	COPPER	4A1815G01	1	1	1	1	
41	HOLDER / EXP. VALVE – 1/2	SS	3A0112-01	1	1	1	1	
42	CLAMP	SS	443461-02	1	1	1	1	
43	EXPANSION VALVE COVER	PE FOAM	4A1168-01	1	1	1	1	
44	THERMISTOR	-	429006-03	1	1	1	1	
45	HOLDER - THERMISTOR	COPPER	427430-01	1	1	1	1	
46	CABLE TIE	CV-200 (PLT-2M)	7920-0010	12	12	12	12	
47	INSULATION - THERMISTOR (A)	PE FOAM	439368-01	1	1	1	1	
48	INSULATION - THERMISTOR (B)	PE FOAM	439368-02	1	1	1	1	
49	RUBBER INSULATION (A)	EPDM	3A1044-01	1	1	1	1	
50	RUBBER INSULATION (B)	EPDM	3A1045-01	1	1	1	1	



DETAILED 'A' THERMISTOR ATTACHMENT

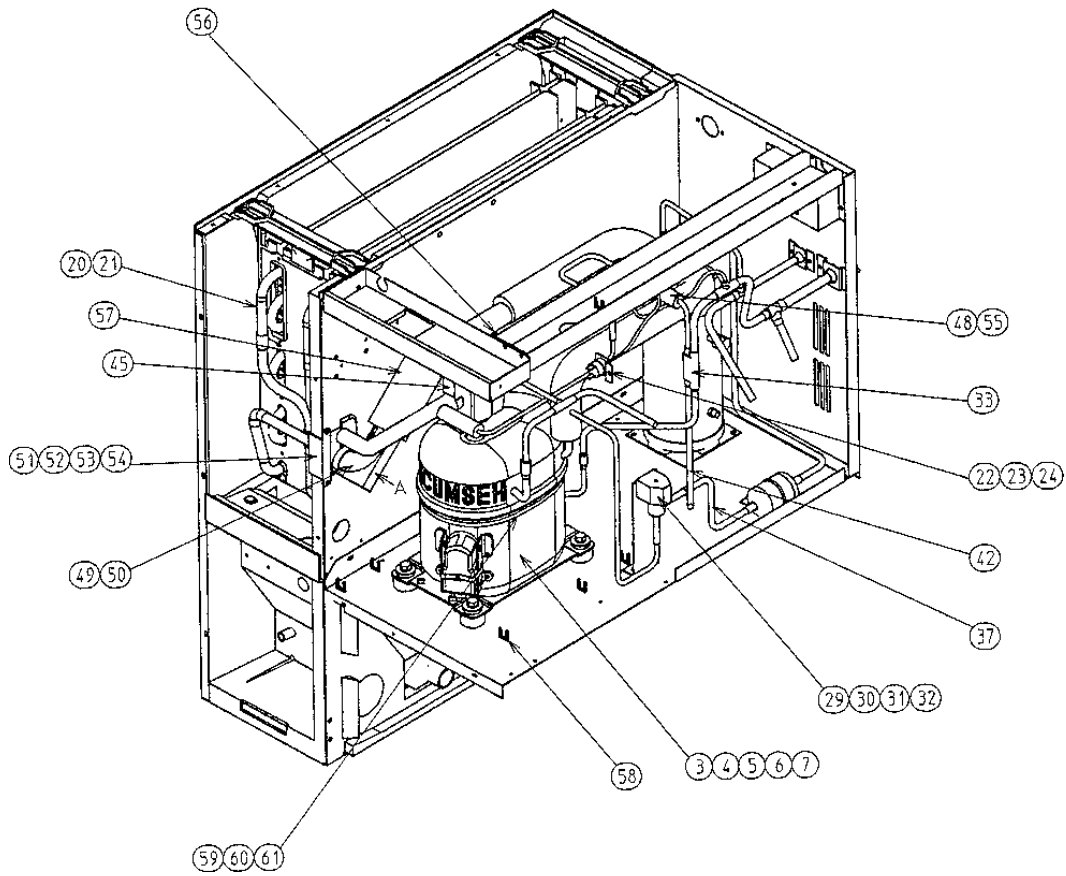
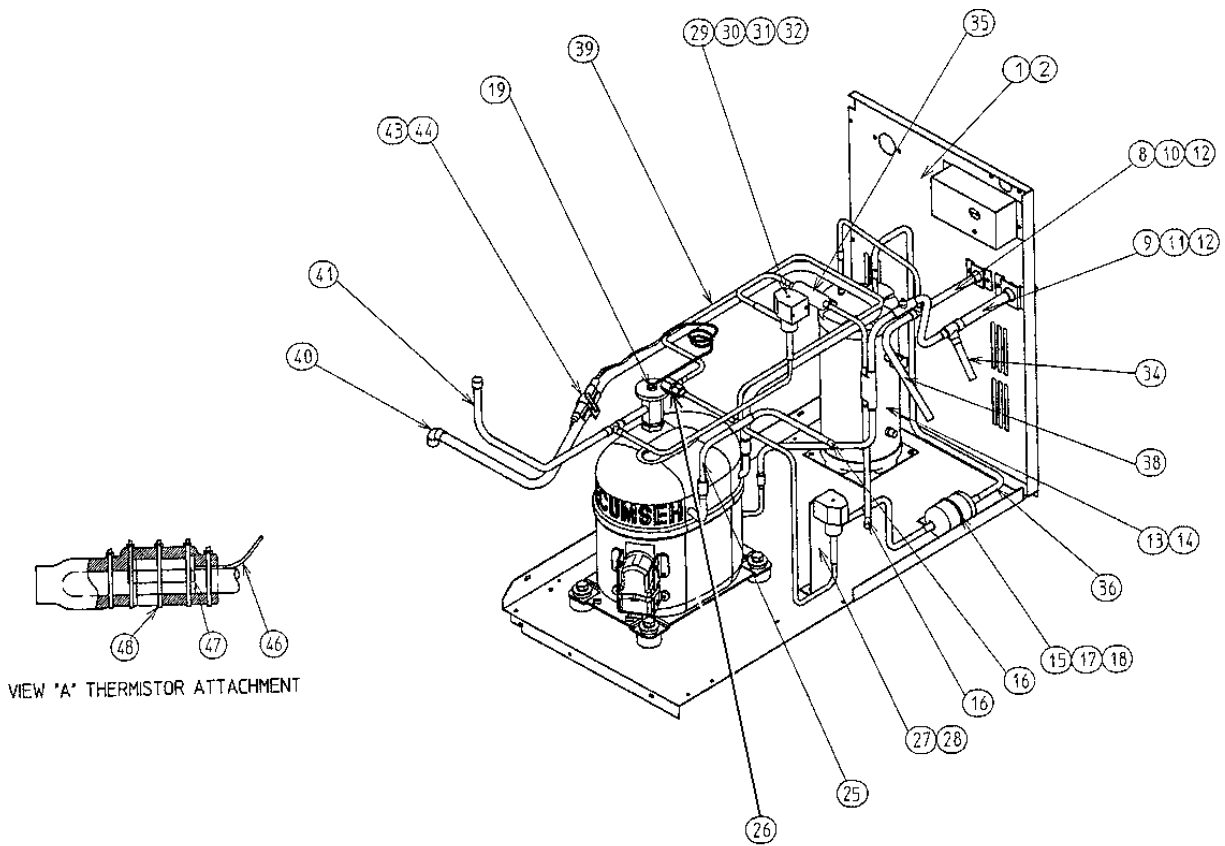


HA

MODEL: KM-500MWF TITLE: B. REFRIGERATION CIRCUIT								
INDEX NO.	DESCRIPTION	MATERIAL OR MODEL NUMBER	PART NUMBER	REQUIRED NUMBER				
				J-0 J-1	K-0	L-0		
1	REAR PANEL	GS	2A1426-01	1	1	1		
2	T2 SCREW	4X8	7P31-0408	5	5	5		
3	COMPRESSOR	AKA9455ZXA	4A1820-01	1	1	1		
4	MOTOR PROCTECTOR	8300MRAK30	4A1875-01	1	1	1		
5	BOLT	8x45	437889-01	4	4	4		
6	SPACER	027-0072-02	434404-01	4	4	4		
7	GROMMET	527-0039-04	434403-01	4	4	4		
8	CONDENSER - WATER-COOLED		2A1429-01	1	1	1		
9	HEX BOLT ASSEMBLY (LF)	5X10, SS	7B0230510	3	3	3		
10	WASHER		4A0655-03	3	3	3		
11	DRIER	CW-0325-S	4A1413-01	1	1	1		
12	ENDCAP		4A1413F01	2	2	2		
13	DRIER BRACKET	GS	445847-01	1	1	1		
14	T2 SCREW	4X8,	7P31-0408	1	1	1		
15	EXPANSION VALVE	AN3/4 SW65	4A1870-01	1	1	1		
16	EVAPORATOR	-	106492G01	1	1	1		
17	T2 SCREW	4X16, SS	7P32-0416	4	4	4		
18	VALVE BODY	70	440352-01	1	1	1		
19	COIL - VALVE	ABS-25-1-HD-2	440353-01	1	1	1		
20	BOLT		440353F01	1	1	1		
21	TRUSS HEAD SCREW	4X8	7C31-0408	2	2	2		
22	PRESSURE SWITCH	ACB-2UB04	433441-05	1	1	1		
23	PRESSURE SWITCH BRACKET	GS	434938-01	1	1	1		
24	T2 SCREW	4X8	7P31-0408	1	1	1		
25	MALE CONNECTOR		4A1087-01	1	1	1		
26	WATER REGULATOR	V46DA-3	4A0911-03	1	1	1		
27	TRUSS HEAD SCREW	4X6	7C31-0406	2	2	2		

HA

MODEL: KM-500MWF TITLE: B. REFRIGERATION CIRCUIT								
INDEX NO.	DESCRIPTION	MATERIAL OR MODEL NUMBER	PART NUMBER	REQUIRED NUMBER				
				J-0 J-1	K-0	L-0		
28	COPPER TUBE (A) - HIGH SIDE	COPPER	2A1435G01	1	1	1		
29	COPPER TUBE (B) - HIGH SIDE	COPPER	3A1249-01	1	1	1		
30	COPPER TUBE (C) - HIGH SIDE	COPPER	4A1829G01	1	1	1		
31	COPPER TUBE (D) - HIGH SIDE	COPPER	3A1238G01	1	1	1		
32	HEAT EXCHANGER	-	2A1432G01	1	1	1		
33	ELBOW	COPPER	417395-03	1	1	1		
34	COPPER TUBE - HOT GAS	COPPER	2A1467G01	1	1	1		
35	COPPER TUBE (J)	COPPER	4A1815G01	1	1	1		
36	-	-	-					
37	ACCESS VALVE	FU180D001	446715-01	2	x2			
		TCJ-2F20NHDU-1	457729-01		o2	2		
38	COPPER TUBE (A) - WATER CIRCUIT	COPPER	3A1251G01	1	1	1		
39	COPPER TUBE (B) - WATER CIRCUIT	COPPER	4A1830G01	1	1	1		
40	HOLDER/EXPANSION VALVE - 1/2		3A0112-01	1	1	1		
41	CLAMP	SS	443461-02	1	1	1		
42	EXPANSION VALVE COVER	PE FOAM	4A1168-01	1	1	1		
43	THERMISTOR	-	429006-03	1	1	1		
44	HOLDER - THERMISTOR		427430-01	1	1	1		
45	CABLE TIE	CV-200	7920-0010	14	14	14		
46	INSULATION - THERMISTOR (A)	PE FOAM	439368-01	1	1	1		



HA

MODEL: KM-500MRF TITLE: B. REFRIGERATION CIRCUIT								
INDEX NO.	DESCRIPTION	MATERIAL OR MODEL NUMBER	PART NUMBER	REQUIRED NUMBER				
				J-0 J-1	K-0	L-0		
1	REAR PANEL	GS	220468G02	1	1	-		
		GS	220468G03			1		
2	T2 SCREW	4X8	7P31-0408	5	5	5		
3	COMPRESSOR	AKA9455ZXA	4A1820-01	1	1	1		
4	MOTOR PROTECTOR	8300MRAK30	4A1875-01	1	1	1		
5	BOLT	8x45	437889-01	4	4	4		
6	SPACER	027-0072-02	434404-01	4	4	4		
7	GROMMET	527-0039-04	434403-01	4	4	4		
8	COUPLING		433751G01	1	1	1		
9	COUPLING		434136G01	1	1	1		
10	TUBE HOLDER-S		438246-01	1	1	1		
11	TUBE HOLDER-L		348245-01	1	1	1		
12	T2 SCREW	4X8	7P31-0408	4	4	4		
13	RECEIVER TANK	RR KN WP450	437596-01	1	1	1		
14	HEX BOLT ASSEMBLY (LF)	5X10, SS	7B0230510	3	3	3		
15	DRIER	CW-0325-S	4A1413-01	1	1	1		
16	ENDCAP		4A1413F01	2	2	2		
17	DRIER BRACKET	GS	445847-01	1	1	1		
18	T2 SCREW	4X8	7P31-0408	1	1	1		
19	EXPANSION VALVE	AN3/4 SW65	4A1870-01	1	1	1		
20	EVAPORATOR	-	106492G01	1	1	1		
21	T2 SCREW	4X16, SS	7P32-0416	4	4	4		
22	PRESSURE SWITCH	ACB-1UB09	433441-07	1	1	1		
23	PRESSURE SWITCH BRACKET	GS	434938-01	1	1	1		
24	T2 SCREW	4X8	7P31-0408	1	1	1		
25	COPPER TUBE ACCESS VALVE	COPPER	3A1422G01	1	1	1		
26	ACCESS VALVE	FU180D001	446715-01	1	x1			
			457729-01		o1	1		

HA

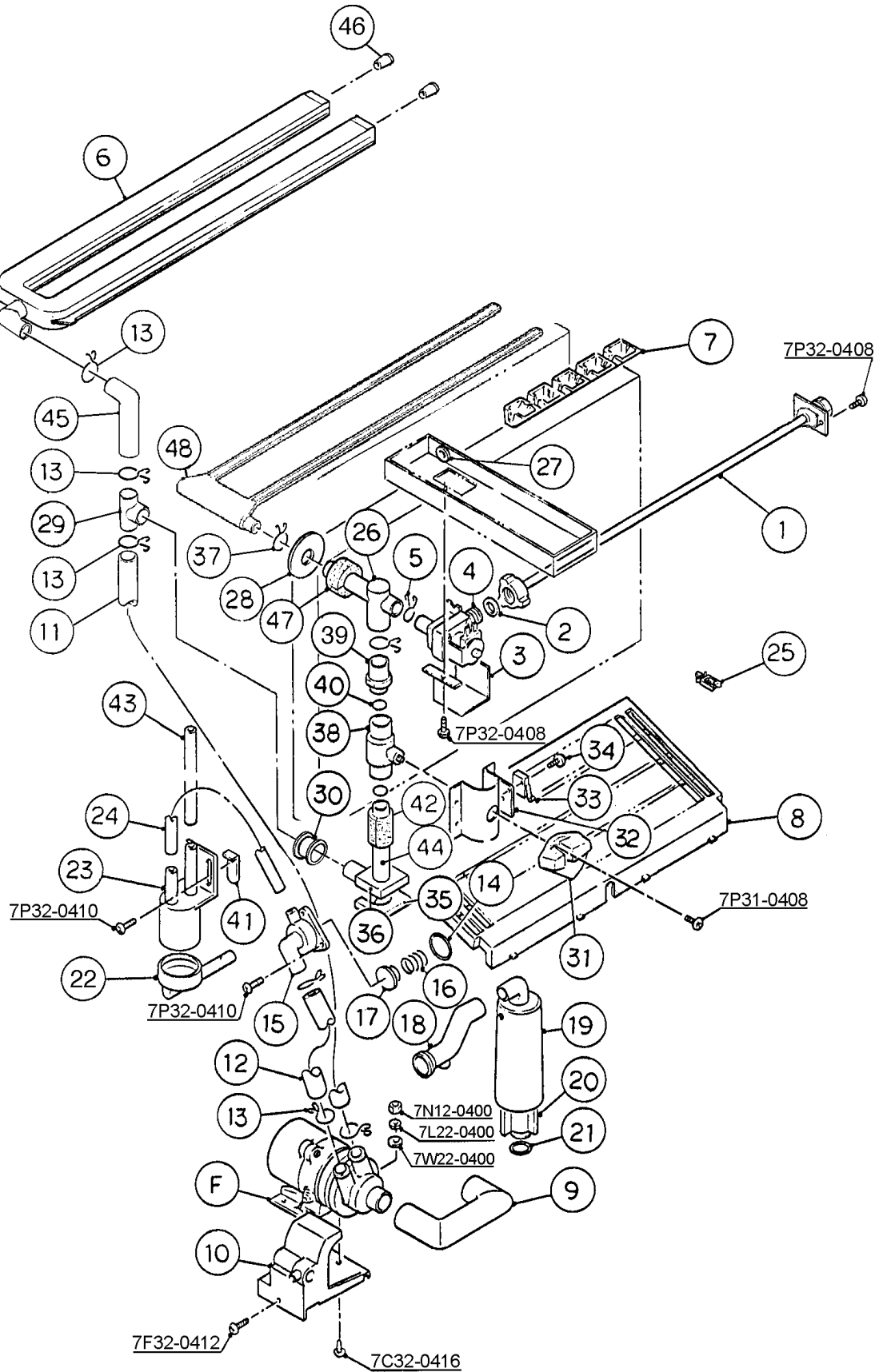
MODEL: KM-500MRF TITLE: B. REFRIGERATION CIRCUIT								
INDEX NO.	DESCRIPTION	MATERIAL OR MODEL NUMBER	PART NUMBER	REQUIRED NUMBER				
				J-0 J-1	K-0	L-0		
27	VALVE BRACKET		436893-01	1	1	1		
28	T2 SCREW	4X8	7P31-0408	2	2	2		
29	VALVE BODY	70	440352-01	1	1	1		
30	COIL - VALVE	ABS-25-1-HD-2	440353-01	1	1	1		
31	BOLT	4X6	440353F01	1	1	1		
32	TRUSS HEAD SCREW	4X8	7C31-0408	4	4	4		
33	COPPER TUBE (A) - HIGH SIDE	COPPER	2A1435G01	1	1	1		
34	COPPER TUBE (B) - HIGH SIDE	COPPER	3A1286-01	1	1	1		
35	COPPER TUBE (D) - HIGH SIDE	COPPER	3A1238G01	1	1	1		
36	COPPER TUBE (E) - HIGH SIDE	COPPER	332445-01	1	1	1		
37	COPPER TUBE (F) - HIGH SIDE	COPPER	4A1862-01	1	1	1		
38	COPPER TUBE (G) - HIGH SIDE	COPPER	3A1287G01	1	1	1		
39	HEAT EXCHANGER	-	2A1367G01	1	1	1		
40	ELBOW	COPPER	417395-03	1	1	1		
41	COPPER TUBE - HOT GAS	COPPER	2A1466G01	1	1	1		
42	EVACUATION TUBE	COPPER	4A1866-01	1	1	1		
43	HOLDER / EXP. VALVE – 1/2	SS	3A0112-01	1	1	1		
44	CLAMP	SS	443461-02	1	1	1		
45	EXPANSION VALVE COVER	PE FOAM	4A1168-01	1	1	1		
46	THERMISTOR	-	429006-03	1	1	1		
47	HOLDER - THERMISTOR	COPPER	427430-01	1	1	1		
48	CABLE TIE	CV-200 (PLT-2M)	7920-0010	7	7	7		

HA

KM-500MAF, MWF, MRF

C. WATER CIRCUIT

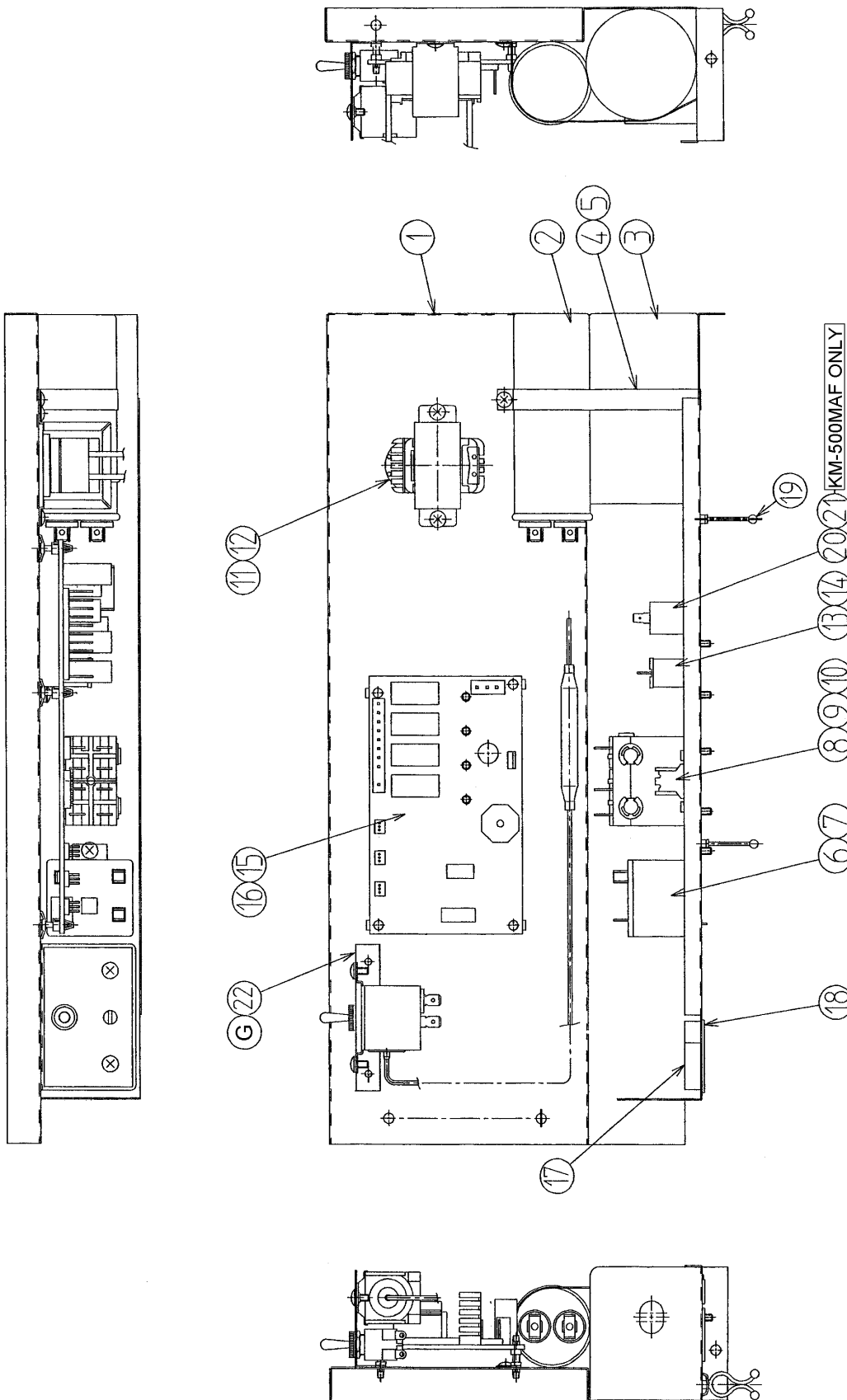
J-0, J-1, K-0, L-0, L-1



MODEL: KM-500MAF, MWF, MRF TITLE: C. WATER CIRCUIT								
INDEX NO.	DESCRIPTION	MATERIAL OR MODEL NUMBER	PART NUMBER	REQUIRED NUMBER				
				J-0 J-1	K-0	L-0	L-1	
F	PUMP MOTOR ASSEMBLY		321444A01	1	1	1	1	
	TRUSS HEAD SCREW	4X16, SS	7C32-0416	1	1	1	1	
	FLAT WASHER	M4, SS	7W22-0400	1	1	1	1	
	SPLIT LOCK WASHER	M4, SS	7L22-0400	1	1	1	1	
	HEX NUT	M4, SS	7N12-0400	1	1	1	1	
1	WATER SUPPLY PIPE	COPPER	4A0768G04	1	1	1	1	
	T2 SCREW	4X8	7P31-0408	2	2	2	2	
2	RUBBER GASKET	NR	413854-03	1	1	1	1	
3	WATER VALVE BRACKET	GS	321443-01	1	1	1	1	
	T2 SCREW	4X8	7P31-0408	1	1	1	1	
4	WATER VALVE	J248-033	3U0111-03	1	1	1	1	
5	HOSE CLAMP	SS, 18MM	427443-05	1	1	1	1	
6	SPRAY TUBE	PE	1A0260-02	1	1	1	1	
7	SPRAY GUIDE (A)	PE	208586-01	6	6	6	6	
8	CUBE GUIDE	ABS	212088-01	1	1	1	1	
9	SUCTION HOSE	EPDM	433466-01	1	1	1	1	
10	PUMP MOTOR BRACKET	PC	211408-01	1	1	1	1	
	FLAT HEAD SCREW	4X12, SS	7F32-0412	1	1	1	1	
11	VINYL HOSE	L=250+10/-0	7716-2025	1	1	1	1	
12	VINYL HOSE	L=110	7716-2025	1	1	1	1	
13	HOSE CLAMP	SS, 25MM	427443-03	9	9	9	9	
14	"O" RING	1AG35	7611-G035	1	1	1	1	
15	VALVE HOUSING - DRAIN	ABS	321001-01	1	1	1	1	
	T2 SCREW	4X10, SS	7P32-0410	3	3	3	3	
16	SPRING	SS	322110-01	1	1	1	1	
17	VALVE SHEET	EPDM	433705-01	1	1	1	1	
18	DRAIN HOSE	SANTOPREN E	433468-01	1	1	1	1	
19	OVERFLOW CAP	PE	321002-01	1	1	1	1	
20	OVERFLOW PIPE	ABS	430722-03	1	1	1	1	

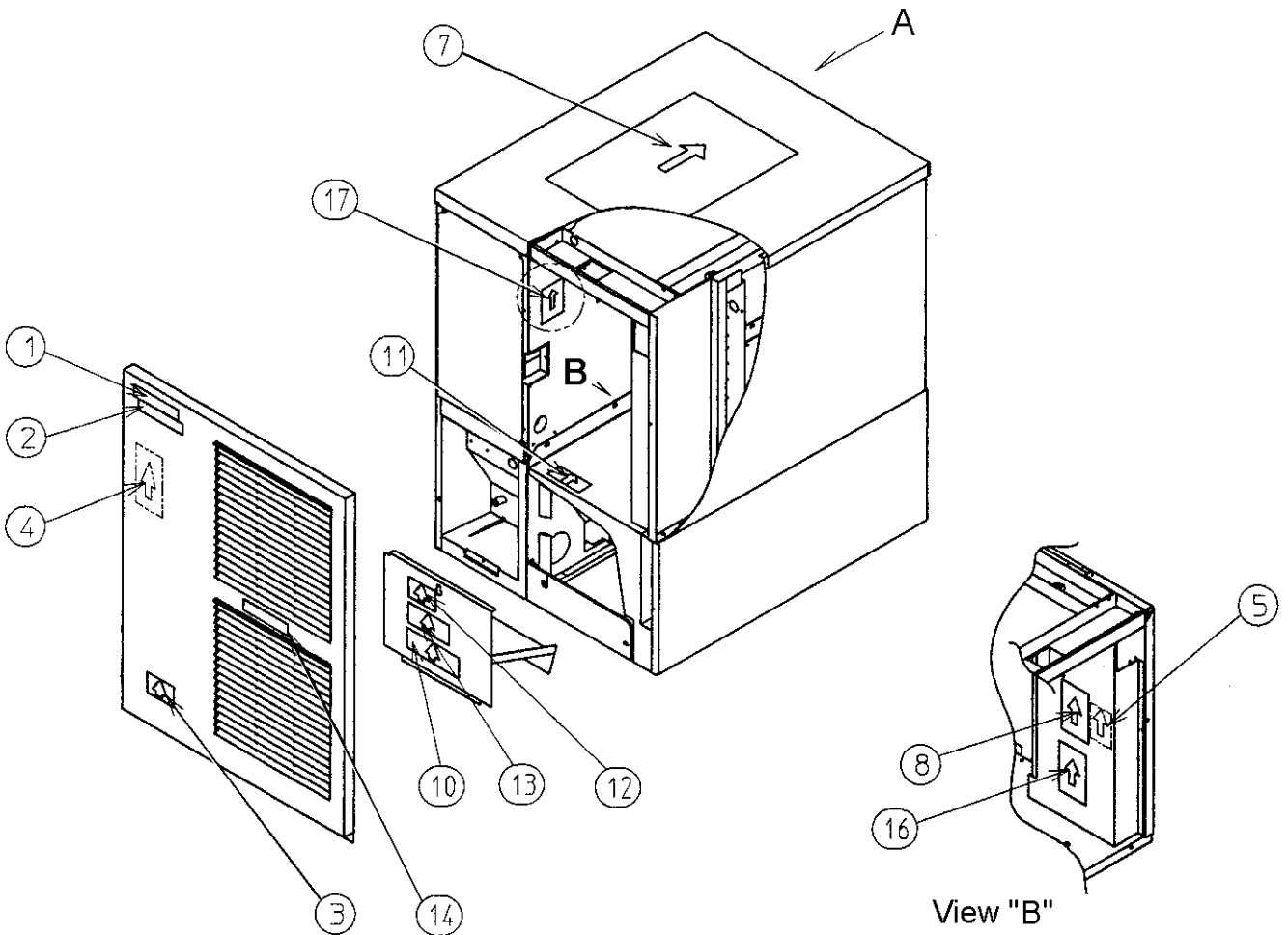
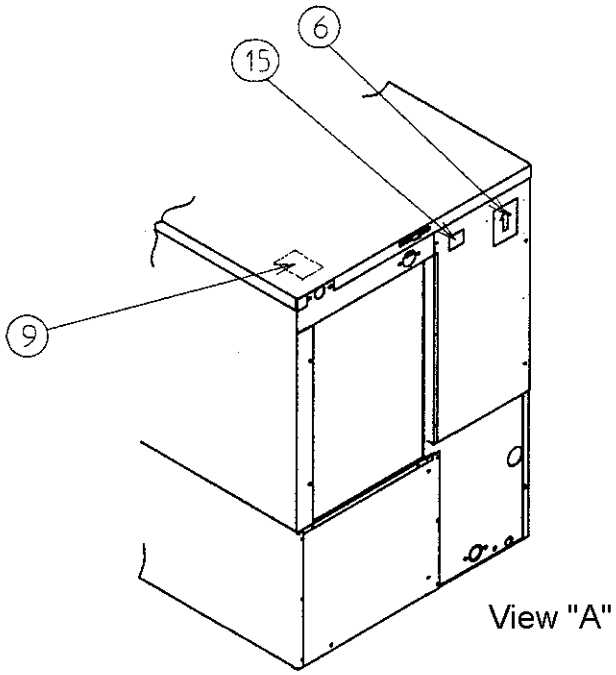
HA

MODEL: KM-500MAF, MWF, MRF TITLE: C. WATER CIRCUIT								
INDEX NO.	DESCRIPTION	MATERIAL OR MODEL NUMBER	PART NUMBER	REQUIRED NUMBER				
				J-0 J-1	K-0	L-0	L-1	
21	"O" RING	EPDM	4A1234-01	1	1	1	1	
22	CONNECTOR – FLOAT SWITCH	EPDM	3A1325-01	1	1	1	1	
23	FLOAT SWITCH	163795	4A0886-01	1	1	1	1	
	T2 SCREW	4X12, SS	7P32-0412	2	2	2	2	
24	SILICONE HOSE	L=140	7730I3896	1	1	1	1	
25	WIRE SADDLE	VWS4238-C	4A0338-02	4	4	4	4	
26	TEE	SANTOPREN E	4A0177-01	1	1	1	1	
27	BUSHING	OCB-750	428394-01	1	1	1	1	
28	FLANGE	EPDM	439267-01	1	1	1	1	
29	DISTRIBUTOR	EPDM	432426-01	1	1	1	1	
30	RUBBER RING	EPDM	439236-01	1	1	1	1	
31	HANDLE	JH1352	215383-01	1	1	1	1	
	T2 SCREW	4X8	7P31-0408	1	1	1	1	
32	VALVE HOLDER	GS	3A1178-01	1	1	1	1	
	FT SCREW	4X8	7F31-0408	3	3	3	3	
33	MICROSWITCH	V3L-111-D8	4A0365-01	1	1	1	1	
34	TAPPING SCREW	3X14	431415-02	2	2	2	2	
35	CORNER INSULATION (A)	PE FOAM	439376-01	1	1	1	1	
36	CORNER INSULATION (B)	PE FOAM	439392-01	1	1	1	1	
37	HOSE CLAMP	SS, 20 MM	427443-06	1	1	1	1	
38	BALL VALVE	(S-0761), PVC	439293-01	1	1	1	1	
39	MALE ADAPTOR	ABS	325826-01	2	2	2	2	
40	"O" RING	1AP18	7611-P018	2	2	2	2	
41	FLOAT SWITCH STOP	SS	4A0137-01	1	1	1	1	
42	INSULATION TUBE	L=190	7762-2636	1	1	1	1	
43	SILICONE HOSE	L=140	7730I3812	1	1	1	1	
44	RUBBER HOSE (D)	EPDM	4A1551-04	1	1	1	1	



HA

MODEL: KM-500MAF, MWF, MRF TITLE: D. CONTROL BOX ASSEMBLY								
INDEX NO.	DESCRIPTION	MATERIAL OR MODEL NUMBER	PART NUMBER	REQUIRED NUMBER				
				J-0 J-1	K-0	L-0	L-1	
G	CONTROL ASSEMBLY	-	4A0388A01	1	1	1	1	
22	T2 SCREW	4X8	7P31-0408	2	2	2	2	
1	CONTROL BOX	-	332464G01	1	x1			
		-	2A1851-01		o1	1	1	
2	CAPACITOR	25MFD, 370 VAC	439943-02	1	1	1	1	
3	CAPACITOR – STARTING	72-86 MFD, 250 VAC	3A0076-15	1	1	1	1	
4	STRAP	GS	434580-11	1	x1			
		GS	434580-07		o1	1	1	
5	T2 SCREW	4X8	7P31-0408	1	1	1	1	
6	STARTER	GE3ARR3CT3T P5	4A1107-04	1	1	1	1	
7	T2 SCREW	4X8	7P31-0408	1	1	1	1	
8	MAGNETIC CONTACTOR	VC-20	428393-01	1	1	1	1	
9	BRACKET		428393F01	1	1	1	1	
10	T2 SCREW	4X8	7P31-0408	2	2	2	2	
11	TRANSFORMER	26D285H	3A0172-01	1	1	1	1	
12	T2 SCREW	4X8	7P31-0408	2	2	2	2	
13	CAPACITOR	250 VAC, 5.5 MFD	443192-03	1	1	1	1	
14	T2 SCREW	4X10	7P31-0410	1	1	1	1	
15	CONTROLLER BOARD	HOS-001A	2A1410-01	1	1	1	1	
16	BOARD SUPPORT	CBLS37-M	4A0336-03	4	4	4	4	
17	BUSHING	SB-1093-15	420470-03	1	1	1	1	
18	BUSHING	OCB-500	428394-02	1	1	1	1	
19	WIRE SADDLE		4A0338-02	2	2	2	2	
20	CAPACITOR (KM-500MAF ONLY)	250 VAC, 5 MFD	443192-02	1	1	1	1	
21	T2 SCREW (KM-500MAF ONLY)	4X10	7P31-0410	1	1	1	1	



HA

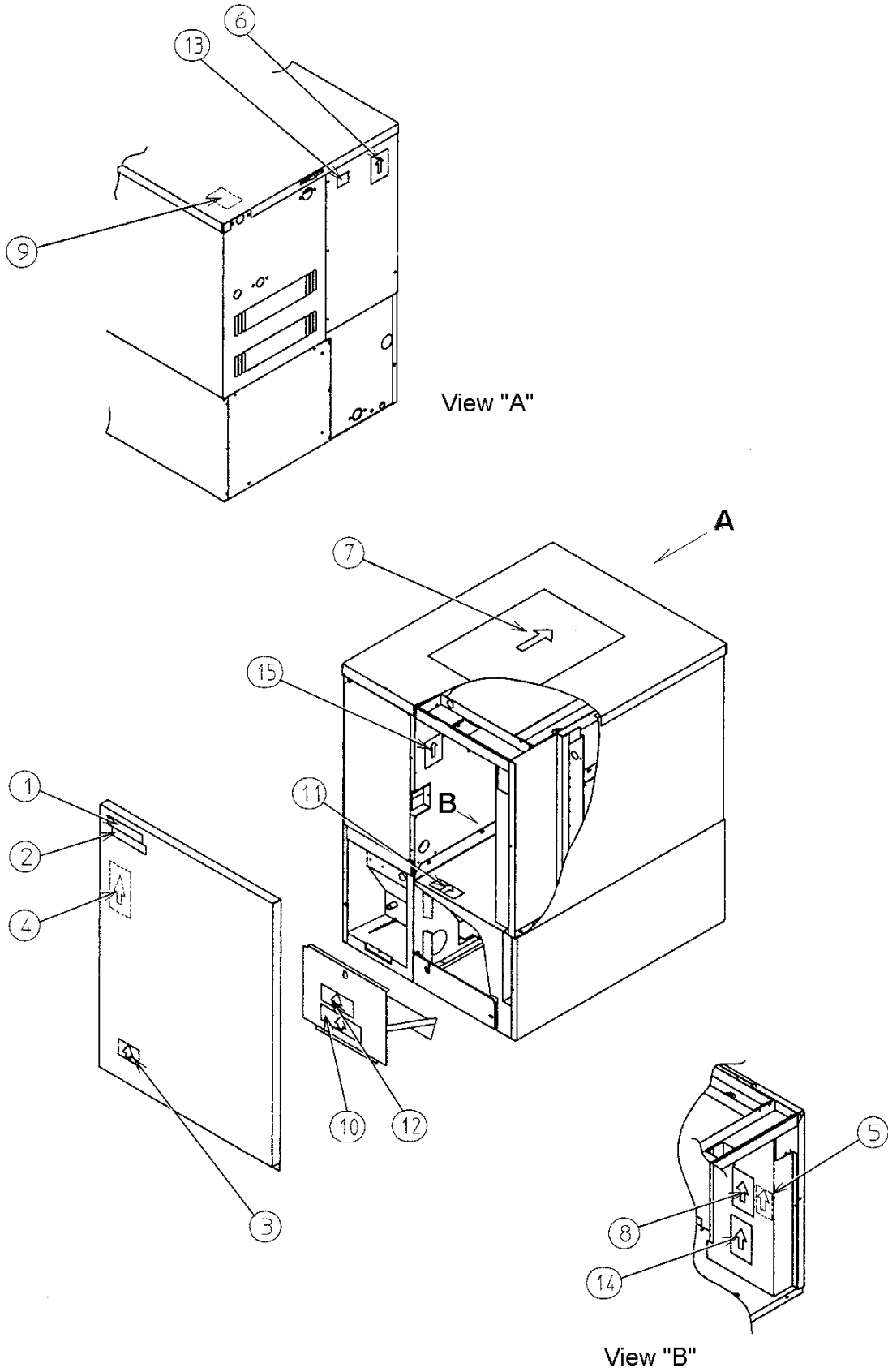
MODEL: KM-500MAF TITLE: E. LABEL LOCATION								
INDEX NO.	DESCRIPTION	MATERIAL OR MODEL NUMBER	PART NUMBER	REQUIRED NUMBER				
				J-0 J-1	K-0	L-0	L-1	
1	EMBLEM	PETP FILM	4A0560-01	1	1	1	1	
2	MODEL NUMBER LABEL	PETP FILM	4A1233-38	1	1	1	1	
3	LABEL – PENGUIN – HA (R)	PETP FILM	4A0526-01	1	1	1	1	
4	MAINTENANCE LABEL	PVC FILM	326218-01	1	1	1	1	
5	WIRING LABEL	PVC FILM	3A1235-01	1	1	-		
		PVC FILM	3A1765-01			1	1	
6	NAMEPLATE	PES FILM	4A1804-01	1	1	1	1	
7	INSTRUCTION SHEET	PAPER	2A1310-01	1	1	1	1	
8	MANUAL LABEL	PVC FILM	446564-01	1	1	1	1	
9	TAG – WARNING: ELECTRICAL CONNECTION	PAPER	435005-01	1	1	1	1	
10	OPERATION LABEL – VALVE	PVC FILM	439541-01	1	1	1	1	
11	LABEL – R404A	PES FILM	4A0960-01	1	1	1	1	
12	CAUTION LABEL (F)	PVC FILM	439146-01	1	1	1	1	
13	CAUTION LABEL (K)	PVC FILM	439150-01	1	1	1	1	
14	LABEL – AIR FILTER	PETP FILM	426177-01	1	1	1	1	
15	INSTRUCTION LABEL	PVC FILM	444575-01	1	1	1	1	
16	LABEL – CONTROL BOARD	PVC FILM	3A1272-01	1	1	1	1	
17	RATING LABEL	PES FILM	4A1790-01	1	1	1	1	

HA

KM-500MWF

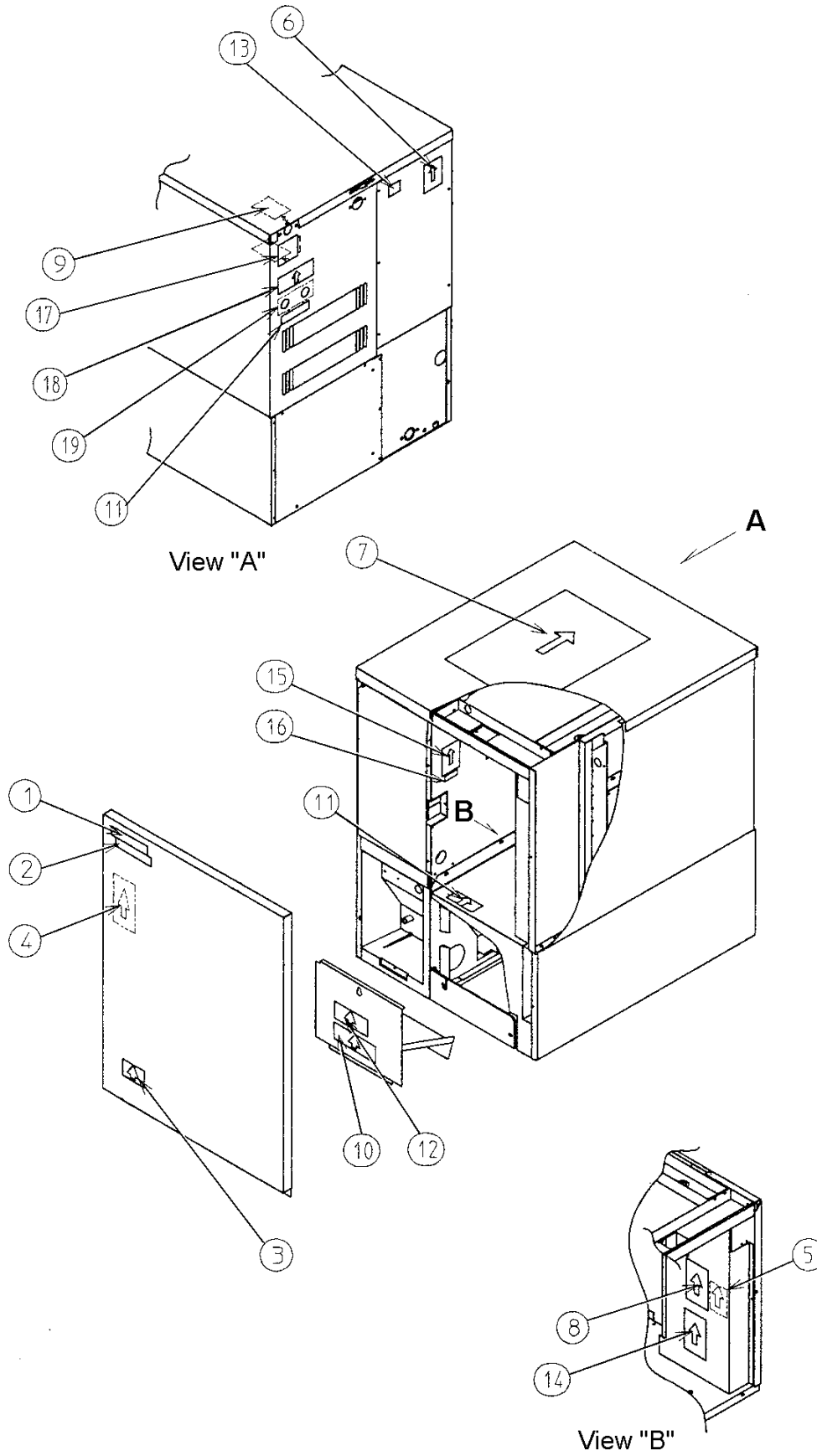
E. LABEL LOCATION

J-0, J-1, K-0, L-0



HA

MODEL: KM-500MWF TITLE: E. LABEL LOCATION								
INDEX NO.	DESCRIPTION	MATERIAL OR MODEL NUMBER	PART NUMBER	REQUIRED NUMBER				
				J-0 J-1	K-0	L-0		
1	EMBLEM	PETP FILM	4A0560-01	1	1	1		
2	MODEL NUMBER LABEL	PETP FILM	4A1233-39	1	1	1		
3	LABEL – PENGUIN – HA (R)	PETP FILM	4A0526-01	1	1	1		
4	MAINTENANCE LABEL	PVC FILM	326218-01	1	1	1		
5	WIRING LABEL	PVC FILM	3A1235-01	1	1	-		
		PVC FILM	3A1765-01			1		
6	NAMEPLATE	PES FILM	4A1825-01	1	1	1		
7	INSTRUCTION SHEET	PAPER	2A1310-01	1	1	1		
8	MANUAL LABEL	PVC FILM	446564-01	1	1	1		
9	TAG – WARNING: ELECTRICAL CONNECTION	PAPER	435005-01	1	1	1		
10	OPERATION LABEL – VALVE	PVC FILM	439541-01	1	1	1		
11	LABEL – R404A	PES FILM	4A0960-01	1	1	1		
12	CAUTION LABEL (K)	PVC FILM	439150-01	1	1	1		
13	INSTRUCTION LABEL	PVC FILM	444575-01	1	1	1		
14	LABEL – CONTROL BOARD	PVC FILM	3A1272-01	1	1	1		
15	RATING LABEL	PES FILM	4A1826-01	1	1	1		



HA

MODEL: KM-500MRF TITLE: E. LABEL LOCATION								
INDEX NO.	DESCRIPTION	MATERIAL OR MODEL NUMBER	PART NUMBER	REQUIRED NUMBER				
				J-0 J-1	K-0	L-0		
1	EMBLEM	PETP FILM	4A0560-01	1	1	1		
2	MODEL NUMBER LABEL	PETP FILM	4A1233-40	1	1	1		
3	LABEL – PENGUIN – HA (R)	PETP FILM	4A0526-01	1	1	1		
4	MAINTENANCE LABEL	PVC FILM	326218-01	1	1	1		
5	WIRING LABEL	PVC FILM	3A1247-01	1	1	1		
6	NAMEPLATE	PES FILM	4A1827-01	1	1	1		
7	INSTRUCTION SHEET	PAPER	2A1310-01	1	1	1		
8	MANUAL LABEL	PVC FILM	446564-01	1	1	1		
9	TAG – WARNING: ELECTRICAL CONNECTION	PAPER	435005-01	1	1	1		
10	OPERATION LABEL – VALVE	PVC FILM	439541-01	1	1	1		
11	LABEL – R404A	PES FILM	4A0960-01	2	2	2		
12	CAUTION LABEL (K)	PVC FILM	439150-01	1	1	1		
13	INSTRUCTION LABEL	PVC FILM	444575-01	1	1	1		
14	LABEL – CONTROL BOARD	PVC FILM	3A1272-01	1	1	1		
15	RATING LABEL	PES FILM	4A1828-01	1	1	1		
16	LABEL – CHARGE		4A1399-10	1	1	1		
17	TAG – FAN MOTOR LEADS		4A1494-01	1	1	1		
18	CAUTION – REMOTE LABEL		4A1491-01	1	1	1		
19	CAUTION TAPE – 404A	L=250	4A1535L01	1	1	1		

HA

KM-500MAF, MWF, MRF

F. PUMP MOTOR ASSEMBLY

J-0, J-1, K-0, L-0, L-1

