



Model: **HS-26L** Item #: \_\_\_\_\_ Date: \_\_\_\_\_  
 Project: \_\_\_\_\_ Qty: \_\_\_\_\_ Approved By: \_\_\_\_\_

# 17-1/4"W Hand Sink with Side Splashes

Hand Sinks



## Specifications

<b>Overall Size</b>	▪ 17-1/4"W x 15-1/4"D x 13"H
<b>Bowl</b>	▪ 14"W x 10"D x 5" deep drawn bowl with stamped rim to prevent spillage
<b>Faucet</b>	▪ 4" center wall mount faucet with 4-1/2" double bend spout (10-435L) ▪ 0.5 GPM aerator
<b>Drain</b>	▪ 1-1/2" stainless steel drain
<b>Plumbing</b>	▪ 1/2" IPS hot and cold water ▪ 1-1/2" IPS drain outlet
<b>Fabrication</b>	▪ 20 gauge stainless steel
<b>Wall Mount Bracket</b>	▪ Offset design for added strength
<b>Weight</b>	▪ 11 lbs.

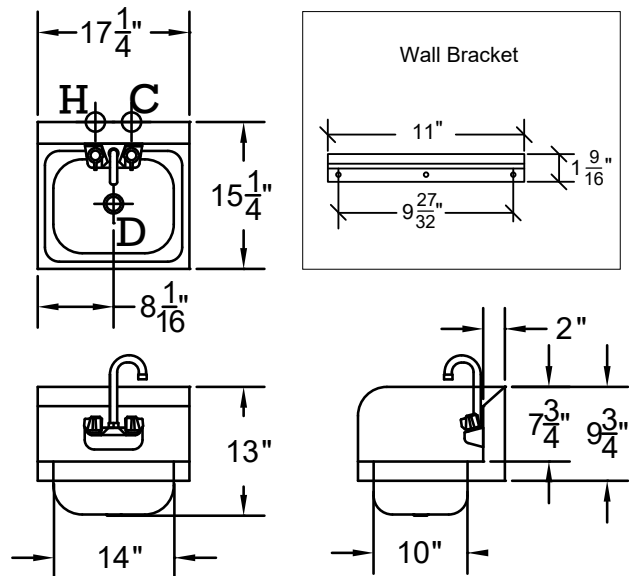
Model	Description
<b>HS-26L</b>	17-1/4"W Hand Sink with Side Splashes

## Replacement Parts & Accessories

<b>10-435L</b>	4" Center Faucet w/ 4-1/2" Double Bend Spout
<b>16-232L</b>	Spout-Mount Eyewash
<b>21-300L</b>	Silver Series Faucet Valve Repair Kit
<b>21-311L</b>	Wrist Blade Handle Kit
<b>21-443L</b>	E-Z Install Flexible Water Line Kit
<b>21-451</b>	Hands-Free Spout Valve
<b>23-121</b>	1-1/2" Full Flange Stainless Steel Drain
<b>23-157</b>	Overflow Assembly
<b>H-100</b>	Chrome Plated P-Trap, 1-1/2" IPS
<b>H-101</b>	Deck Mount Soap Dispenser
<b>H-105</b>	Wall Mount Towel Dispenser
<b>H-108-9</b>	Stainless Steel Skirt, Factory Installed
<b>H-110</b>	Side Support Brackets
<b>H-115</b>	12"W Soap & Towel Dispenser
<b>H-116</b>	Wall Mount Soap Dispenser
<b>FG-L2</b>	Factory Installed Side Splash, Left Side
<b>FG-LR2</b>	Factory Installed Side Splash, Left & Right Sides
<b>FG-R2</b>	Factory Installed Side Splash, Right Side
<b>SG-L2</b>	Field Installed Side Splash, Left Side
<b>SG-LR2</b>	Field Installed Side Splash, Left & Right Sides
<b>SG-R2</b>	Field Installed Side Splash, Right Side
<b>WB-1715</b>	Wall Bracket

## Product Compliance

- NSF/ANSI/CAN 61: Q<1
- ASME A112.8.1-2012/CSA B125.1-12
- NSF/ANSI 372
- ASME A112.19.3/CSA B45.4
- NSF 2



### California Prop 65 Warning:

This product can expose you to chemicals including lead and lead compounds, which are known to the State of California to cause cancer and birth defects or other reproductive harm. For more information go to [www.P65Warnings.ca.gov](http://www.P65Warnings.ca.gov).