



Model: HS-30L Item #: _____ Date: _____
 Project: _____ Qty: _____ Approved By: _____

12"W Hand Sink with Side Splashes

Hand Sinks



Specifications

Overall Size	▪ 12"W x 14-1/4"D x 13"H
Bowl	▪ 9"W x 9"D x 5" deep drawn bowl with stamped rim to prevent spillage
Faucet	▪ 4" center wall mount faucet with 4-1/2" double bend spout (10-435L) ▪ 0.5 GPM aerator
Drain	▪ 1-1/2" stainless steel drain
Plumbing	▪ 1/2" IPS hot and cold water ▪ 1-1/2" IPS drain outlet
Fabrication	▪ 20 gauge stainless steel
Wall Mount Bracket	▪ Offset design for added strength
Weight	▪ 13 lbs.

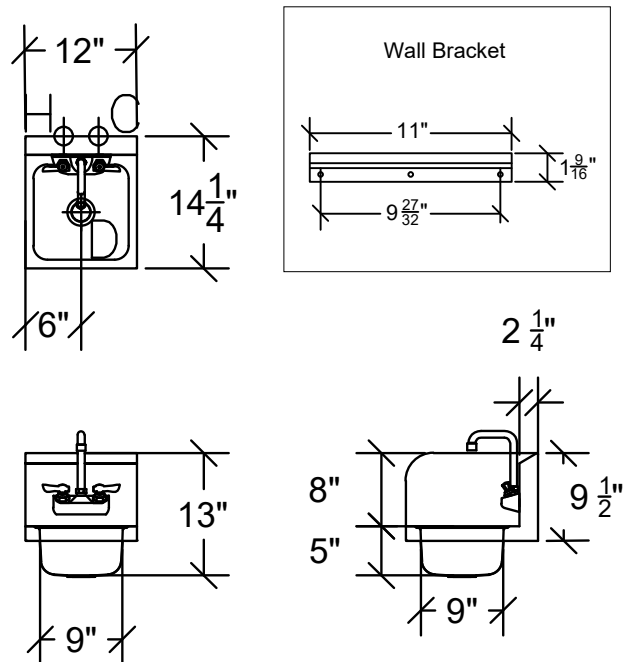
Model	Description
HS-30L	12"W Hand Sink with Side Splashes

Replacement Parts & Accessories

10-435L	4" Center Faucet w/ 4-1/2" Double Bend Spout
16-232L	Spout-Mount Eyewash
21-300L	Silver Series Faucet Valve Repair Kit
21-311L	Wrist Blade Handle Kit
21-443L	E-Z Install Flexible Water Line Kit
21-451	Hands-Free Spout Valve
23-121	1-1/2" Full Flange Stainless Steel Drain
23-157	Overflow Assembly
H-100	Chrome Plated P-Trap, 1-1/2" IPS
H-101	Deck Mount Soap Dispenser
H-105	Wall Mount Towel Dispenser
H-108-9	Stainless Steel Skirt, Factory Installed
H-110	Side Support Brackets
H-115	12"W Soap & Towel Dispenser
H-116	Wall Mount Soap Dispenser
FG-L2	Factory Installed Side Splash, Left Side
FG-LR2	Factory Installed Side Splash, Left & Right Sides
FG-R2	Factory Installed Side Splash, Right Side
SG-L2	Field Installed Side Splash, Left Side
SG-LR2	Field Installed Side Splash, Left & Right Sides
SG-R2	Field Installed Side Splash, Right Side
WB-1712	Wall Bracket for 12"W Hand Sinks

Product Compliance

- NSF/ANSI/CAN 61: Q<1
- ASME A112.8.1-2012/CSA B125.1-12
- NSF/ANSI 372
- ASME A112.19.3/CSA B45.4
- NSF 2



California Prop 65 Warning:

This product can expose you to chemicals including lead and lead compounds, which are known to the State of California to cause cancer and birth defects or other reproductive harm. For more information go to www.P65Warnings.ca.gov.