

**Installation**

**Operation**

**Maintenance**

**136SB, 136SMB,  
160SB, 160SMB Salamander**

***Lang***<sup>®</sup>

# TABLE OF CONTENTS

---

---

<b>INSTALLATION .....</b>	<b>1</b>
RECEIVING THE APPLIANCE .....	1
ELECTRICAL CONNECTION .....	1
VENTILATION AND CLEARANCES .....	1
PLACEMENT ON RANGE .....	2
<i>NON - PREDRILLED RANGES</i> .....	2
<i>PREDRILLED RANGES</i> .....	2
<b>OPERATION.....</b>	<b>3</b>
INITIAL PREHEAT .....	3
<b>WIRING DIAGRAMS.....</b>	<b>4</b>
208/240 VOLT .....	4
440/480 VOLT .....	5
<b>EXPLODED VIEW &amp; PARTS LIST .....</b>	<b>6-7</b>

# INSTALLATION

## RECEIVING THE APPLIANCE

Upon receipt of the appliance, check for freight damage both visible and concealed. Visible damage should be noted on the freight bill at the time of delivery and signed by the carrier's agent. Concealed loss or damage means loss or damage which does not become apparent until the merchandise has been unpacked. If concealed loss or damage is discovered, make a written request for inspection by the carrier's agent within 15 days of delivery. All packing material should be kept for inspection. **Do not return damaged merchandise to Star Manufacturing International.** File your claim with the carrier.

Uncrate the appliance as near its intended location as practical. The crating will help protect the unit from the physical damage normally associated with moving it through hallways and doorways.

## ELECTRICAL CONNECTION

The electrical connection must be made in accordance with local codes or in the absence of local codes with NFPA No. 70 latest edition (in Canada use: CAS STD. C22.1).

Supply wire size must be large enough to carry the amperage load for the number of appliances being installed. Wire size information can be found on the data plate and on the chart below.

ELECTRICAL DATA															
MODEL NUMBER	THREE PHASE LOADING			TOTAL K.W.	NONINAL AMPS PER LINE										
	K.W. PER PHASE				THREE PHASE									SINGLE PHASE	
	L1 - L2	L2 - L3	L3 - L1		208 VOLT			240 VOLT			480 VOLT			208 V.	240 V.
					L1	L2	L3	L1	L2	L3	L1	L2	L3	L1	L2
36S-SH	6.0	6.0	0.0	6.0	28.8	28.8	0.0	25.0	25.0	0.0	12.5	12.5	0.0	28.8	25.0

## VENTILATION AND CLEARANCES

Standard minimum clearance from **combustible** construction is as follows:

- 3 inches from sides
- 3 inches from back

Keep the appliance area free and clear of combustible material and do not obstruct the flow of combustion or ventilation air.

The installation of any components such as a vent hood, grease extractors, and/or fire extinguisher systems, must conform to the their applicable nationally recognized installation standards.

## PLACEMENT ON RANGE

### NON - PREDRILLED RANGES

If the range that the Salamander is to be installed on has been predrilled by the factory, proceed to the next section - Predrilled Ranges. If the range has not been predrilled, continue with this section.

Place the Salamander on top of the range so that the back of the range is flush with the back of the Salamander.

Mark the five holes in through the flange in the Salamander onto the top of the range.

Mark the three holes through the side of the Salamander onto the side of the range.

Remove the Salamander from the range.

Drill all eleven holes using a # 27 drill bit.

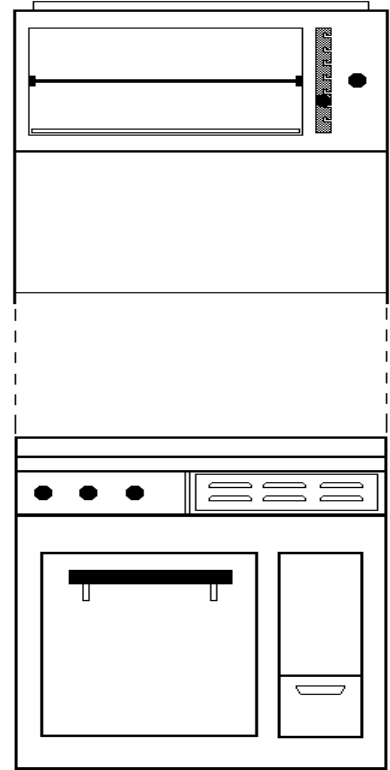
Tap the five holes in the top of the range with a 10-32 tap.

### PREDRILLED RANGES

Place the Salamander on top of the range so that the holes in the salamander line up with the holes in the range and the backs are flush.

Install five 10-32 x 3/8" Truss Head Machine Screws through the holes in the back flange of the Salamander into the top of the range.

Install three 10-32 x 3/8" Truss Head MS SS Screws through each side of the Salamander into the side of the range.



### INITIAL PREHEAT

Rotate the temperature dial until **Hi** is at the top.

Raise the broiler rack to the top most position and allow the rack to heat.

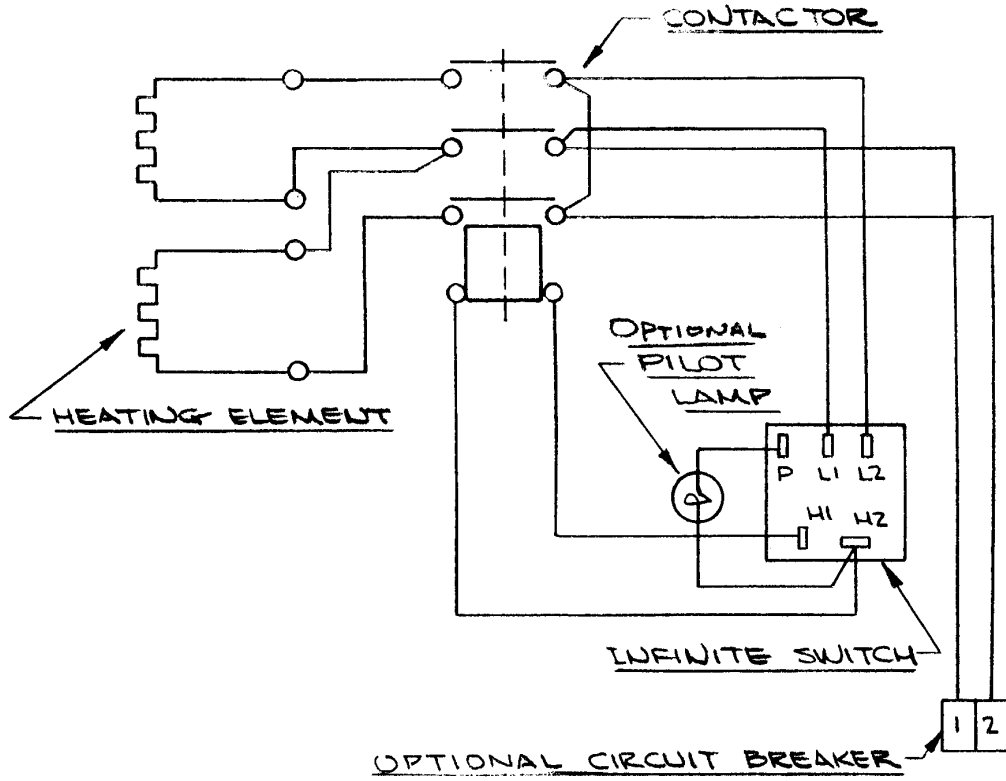
Lower the rack and place the product on it.

Raise the rack to the desired cooking position.

Set the temperature dial to the desired position.

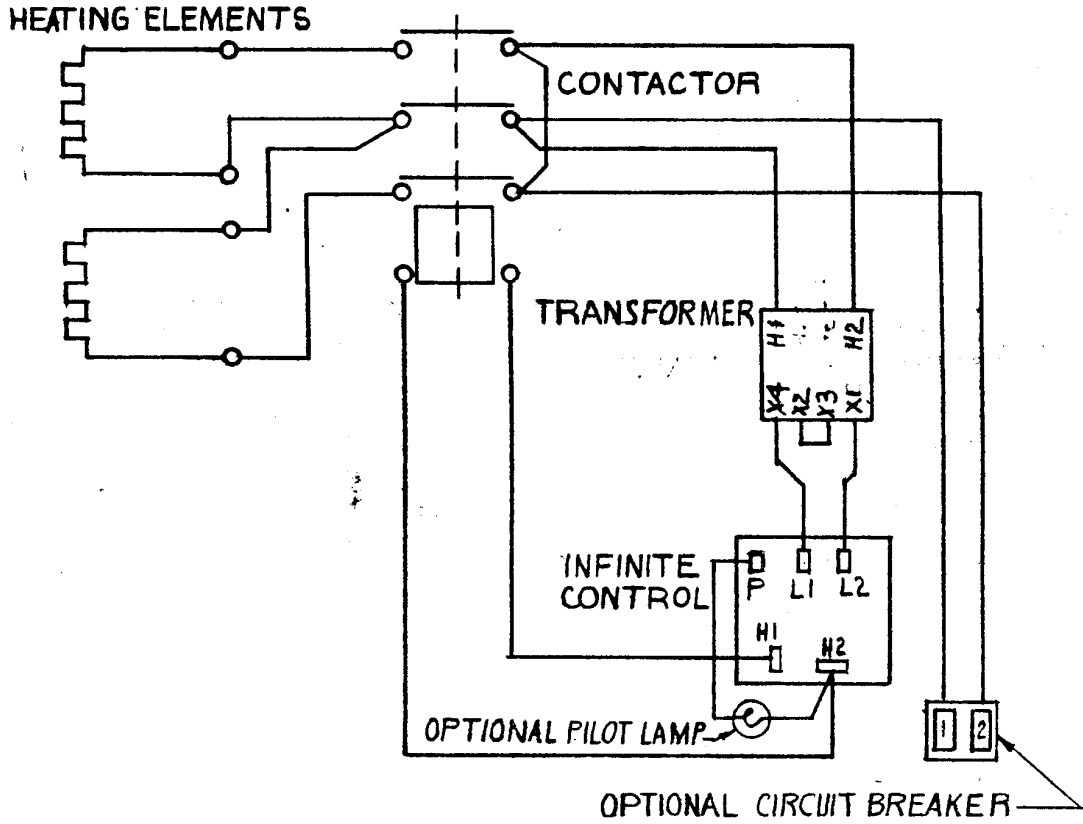
# WIRING DIAGRAMS

208/240 VOLT

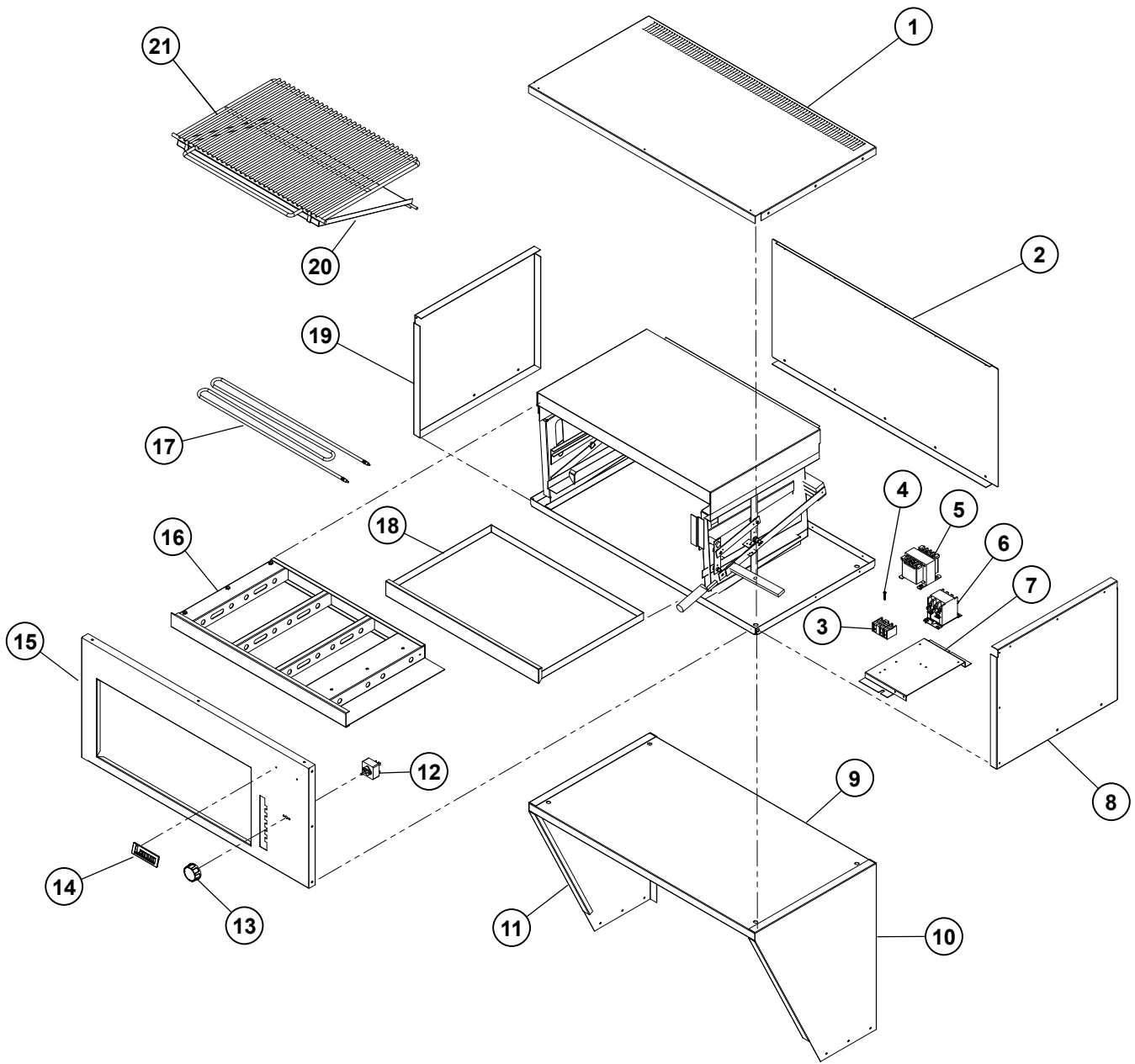


<u>SERVICE CONNECTION</u>		
SINGLE PHASE	L1 =	1
	L2 =	2
THREE PHASE	L1 =	1
	L2 =	-
	L3 =	2
KW PER PHASE	$\phi A =$	6
	$\phi B =$	0
	$\phi C =$	0

440/480 VOLT



SERVICE CONNECTION		
SINGLE PHASE	L1	1
	L2	2
THREE PHASE	L1	1
	L2	2
	L3	—
K.W. PER PHASE	Ø A	6
	Ø B	0
	Ø C	0



SOME ITEMS ARE INCLUDED FOR ILLUSTRATIVE PURPOSES AND IN CERTAIN INSTANCES MAY NOT BE AVAILABLE

This drawing contains information confidential to Lang Manufacturing. No reproduction or disclosure of its contents is permitted.

**Model:**  
136SB - 160SB Salamander

**Lang**<sup>®</sup>

SK2308

Rev. A 11/15/13



# PARTS LIST

November 15, 2013, Rev E

## Model No: 136SB, 136SBM, 160SB, 160SBM SALAMANDER ELECTRIC BROILER

Key Number	Part Number	Qty Per	Description
1	J9-SAL-130	1	BODY TOP C.T.M. ALL
2	J9-SAL-1424-1	1	BODY BACK C.T.M. ALL
3	2E-30500-09	1	TRM BLOCK 3 POLE SMALL 95 ALL
4	2C-20109-21	2	SCRW S/S 8-32X1 R/H M/S ALL
5	2E-31400-04	1	XFRMR 480/240VAC 100VA 136SB-480V, M-440V, M-480V
6	2E-30700-03	1	CONTC 3POLE 40A208-240VAC ALL
7	J9-SAL-141	1	BREAKER MOUNT ALL
8	J9-SAL-125-2	1	BODY SIDE RH C.T.M ALL
9	J9-SAL-179-3	1	HIGH SHELF ASSY SHORT 136SB
	J9-SAL-179-4	1	HIGH SHELF ASSY SHORT 32S-HS
	J9-SAL-179-5	1	HIGH SHELF ASSY SHORT 160SB
12	2E-30305-01	1	SWT INF 240V 15AMP ALL
13	J9-70701-04	1	KNOB ASSY INF CONTROL - BLACK
	J9-70701-04-2	1	KNOB ASSY INF CONTROL - RED
14	2M-60301-43	1	DIE CAST PLT LANG SATIN ALL
15	J9-SAL-126-1	1	BODY FRONT C.T.M. ALL
16	J9-SAL-148-1	1	ELEMENT FRAME ASSY ALL
17	2N-11100-01	2	ELMNT BRL/SAL 208V 3KW 208V
	2N-11100-02	2	ELMNT BRL/SAL 240V 3KW 240V
	2N-11100-05	2	ELMNT BRL/SAL 480V 2700W 440V / 480V
18	K9-SKSAL135-W1	1	GREASE PAN COMMERCIAL APPLICATIONS
	K9-SKSAL135	1	GREASE PAN 36S-SH MARINE APPLICATIONS
19	J9-SAL-125-3	1	BODY SIDE RH C.T.M. ALL
20	J9-SAL-119	1	RACK DRIP PAN ALL
21	2B-50200-17	1	RACK SALAMANDER W/HANDLE ALL

**IMPORTANT: WHEN ORDERING, SPECIFY VOLTAGE OR TYPE GAS DESIRED  
INCLUDE MODEL AND SERIAL NUMBER**

PAGE 1  
OF 1

Some items are included for illustrative purposes only and in certain instances may not be available.







**STAR INTERNATIONAL HOLDINGS INC. COMPANY**

Star - Holman - Lang - Wells - Bloomfield - Toastmaster

10 Sunnen Drive, St. Louis, MO 63143 U.S.A.

(314) 678-6303

[www.star-mfg.com](http://www.star-mfg.com)