







Installation, Operation, & Maintenance
Model: EHS-PP, Electric Half Size Convection Oven

THIS MANUAL MUST BE RETAINED FOR FUTURE REFERENCE. READ, UNDERSTAND AND FOLLOW THE INSTRUCTIONS AND WARNINGS CONTAINED IN THIS MANUAL.

- | | | |
|----------------------|--|---|
| <u>DANGER</u> | POTENTIALLY HAZARDOUS SITUATION WHICH, IF NOT AVOIDED, COULD RESULT IN DEATH. |  |
|----------------------|--|---|
- | | | |
|-----------------------|--|---|
| <u>WARNING</u> | POTENTIALLY HAZARDOUS SITUATION WHICH, IF NOT AVOIDED, COULD RESULT IN DEATH OR SERIOUS INJURY. |  |
|-----------------------|--|---|
- | | | |
|-----------------------|---|---|
| <u>CAUTION</u> | POTENTIALLY HAZARDOUS SITUATION WHICH, IF NOT AVOIDED, MAY RESULT IN MINOR OR MODERATE INJURY. |  |
|-----------------------|---|---|
- | | | |
|----------------------|---|---|
| <u>NOTICE</u> | Helpful operation and installation instructions and tips are present. |  |
|----------------------|---|---|

FOR YOUR SAFETY

DO NOT STORE OR USE GASOLINE OR OTHER FLAMMABLE VAPORS AND LIQUIDS IN THE VICINITY OF THIS OR ANY OTHER APPLIANCE.

POST IN A PROMINENT LOCATION

INSTRUCTIONS TO BE FOLLOWED IN THE EVENT USER SMELLS GAS. THIS INFORMATION SHALL BE OBTAINED BY CONSULTING YOUR LOCAL GAS SUPPLIER. AS A MINIMUM, TURN OFF THE GAS AND CALL YOUR GAS COMPANY AND YOUR AUTHORIZED SERVICE AGENT. EVACUATE ALL PERSONNEL FROM THE AREA.

WARNING: IMPROPER INSTALLATION, ADJUSTMENT, ALTERATION, SERVICE OR MAINTENANCE CAN CAUSE PROPERTY DAMAGE, INJURY OR DEATH. READ THE INSTALLATION, OPERATING AND MAINTENANCE INSTRUCTIONS THOROUGHLY BEFORE INSTALLING OR SERVICING THIS EQUIPMENT.

Model #:	Purchased From:
Serial #:	Location:
Date Purchased:	Date Installed:
Purchase Order #:	For Service, Call:

TABLE OF CONTENTS

CHAPTER	PAGE
TABLE OF CONTENTS	3
READ FIRST	4
EQUIPMENT DESCRIPTION	6
UNPACKING.....	7
INSTALLATION	8
INITIAL START-UP	12
OPERATION	13
MAINTENANCE & CLEANING PROCEDURES.....	16
TROUBLE SHOOTING	17
EXPLODED VIEW.....	19
PARTS LIST	20
WIRING DIAGRAM	22
WARRANTY	25

CAUTION EACH UNIT WEIGHS 225 LBS (102.23 KILOGRAMS). FOR SAFE HANDLING, INSTALLER SHOULD OBTAIN HELP AS NEEDED, OR EMPLOY APPROPRIATE MATERIALS HANDLING EQUIPMENT (SUCH AS A FORKLIFT, DOLLY, OR PALLET JACK) TO REMOVE THE UNIT FROM THE SKID AND MOVE IT TO THE PLACE OF INSTALLATION.



CAUTION ANY STAND, COUNTER OR OTHER DEVICE ON WHICH OVEN WILL BE LOCATED MUST BE DESIGNED TO SUPPORT THE WEIGHT OF THE OVEN.



CAUTION SHIPPING STRAPS ARE UNDER TENSION AND CAN SNAP BACK WHEN CUT.



DANGER THIS APPLIANCE MUST BE GROUNDED AT THE TERMINAL PROVIDED. FAILURE TO GROUND THE APPLIANCE COULD RESULT IN ELECTROCUTION AND DEATH.



WARNING INSTALLATION OF THE UNIT MUST BE DONE BY PERSONNEL QUALIFIED TO WORK WITH ELECTRICITY AND PLUMBING. IMPROPER INSTALLATION CAN CAUSE INJURY TO PERSONNEL AND/OR DAMAGE TO EQUIPMENT. UNIT MUST BE INSTALLED IN ACCORDANCE WITH ALL APPLICABLE CODES.



NOTICE The data plate is located on the back of the oven above the power outlet. The oven voltage, wattage, serial number, wire size, and clearance specifications are on the data plate. This information should be carefully read and understood before proceeding with the installation.



NOTICE The installation of any components such as a vent hood, grease extractors, fire extinguisher systems, must conform to their applicable National, State and locally recognized installation standards.



NOTICE During the first few hours of operation you may notice a small amount of smoke coming off the oven, and a faint odor from the smoke. This is normal for a new oven and will disappear after the first few hours of use.



CAUTION ALWAYS KEEP THE AREA NEAR THE APPLIANCE FREE FROM COMBUSTIBLE MATERIALS.



CAUTION KEEP FLOOR IN FRONT OF EQUIPMENT CLEAN AND DRY. IF SPILLS OCCUR, CLEAN IMMEDIATELY, TO AVOID THE DANGER OF SLIPS OR FALLS.



WARNING KEEP WATER AND SOLUTIONS OUT OF CONTROLS. NEVER SPRAY OR HOSE CONTROL CONSOLE, ELECTRICAL CONNECTIONS, ETC.



CAUTION MOST CLEANERS ARE HARMFUL TO THE SKIN, EYES, MUCOUS MEMBRANES AND CLOTHING. PRECAUTIONS SHOULD BE TAKEN TO WEAR RUBBER GLOVES, GOGGLES OR FACE SHIELD AND PROTECTIVE CLOTHING. CAREFULLY READ THE WARNING AND FOLLOW THE DIRECTIONS ON THE LABEL OF THE CLEANER TO BE USED.



NOTICE Never leave a chlorine sanitizer in contact with stainless steel surfaces longer than 10 minutes. Longer contact can cause corrosion.



NOTICE Service on this, or any other, LANG appliance must be performed by qualified personnel only. Consult your authorized service station directory or call the factory at 1-800-438-5264, or WWW.LANGWORLD.COM for the service station nearest you.



IMPORTANT

READ FIRST

IMPORTANT

WARNING

BOTH HIGH AND LOW VOLTAGES ARE PRESENT INSIDE THIS APPLIANCE WHEN THE UNIT IS PLUGGED/WIRED INTO A LIVE RECEPTACLE. BEFORE REPLACING ANY PARTS, DISCONNECT THE UNIT FROM THE ELECTRIC POWER SUPPLY.



CAUTION

USE OF ANY REPLACEMENT PARTS OTHER THAN THOSE SUPPLIED BY LANG OR THEIR AUTHORIZED DISTRIBUTORS CAN CAUSE BODILY INJURY TO THE OPERATOR AND DAMAGE TO THE EQUIPMENT AND WILL VOID ALL WARRANTIES.



EQUIPMENT DESCRIPTION

Lang Model: EHS-PP

Exterior Construction

The oven exterior dimensions are 30" (76.2 cm) Wide, 25.25" (74.3 cm) High, 26.5" (67.31 cm) Deep. The Top, Front, Back, and Sides are constructed of stainless steel with an aluminized bottom.

The oven door comes standard with a window and is easily reversible.

The door handle is constructed of Polycarbonate.

The oven cavity is insulated with high temperature insulation for efficiency and reduced heat loss.

Interior Construction

The oven cavity dimensions are 15" (38.1 cm) Wide, 20" (50.84 cm) High, 21" (53.38 cm) Deep.

The oven is designed for five shelves and comes with five Chrome Plated Racks.

The interior of the oven is constructed of stainless steel.

Operation

The EHS-PP oven is a forced air convection oven with a vented oven cavity.

A 1/3 HP fan motor drives the air.

Controls

Complete computerized controls.

Pre-Programmable product selections.

Independent shelf timers for each shelf.

Load control through use of Cooking Curves.

Shelf compensation for uniform baking.

Solid-state temperature sensing and controls.

Dual speed fan.

Manual override controls.

Technical

Oven operates as shipped on either 208, 240, or 480-Volt Single, or Three Phase.

The oven can be shipped with a Power Cord and Plug attached, but must be specified upon ordering (part number is listed in the Parts portion of this manual).

Floor space required is 42" (106.68cm) Wide, 32.5" (82.55cm) Deep.

The oven weighs 225 lb. (102.5 Kilograms).

The ovens are stackable and can include stacking kit if requested.

UNPACKING

Receiving the Oven

Upon receipt, check for freight damage, both visible and concealed. Visible damage should be noted on the freight bill at the time of delivery and signed by the carrier's agent. Concealed loss or damage means loss or damage, which does not become apparent until the merchandise has been unpacked. If concealed loss or damage is discovered upon unpacking, make a written request for inspection by the carrier's agent within 15 days of delivery. All packing material should be kept for inspection. **Do not return damaged merchandise to Lang Manufacturing Company. File your claim with the carrier.**

Location

Prior to un-crating, move the oven as near to its intended location as practical. The crating will help protect the unit from the physical damage normally associated with moving it through hallways and doorways.

Un-crating

The oven will arrive completely assembled inside a wood frame and strapped to a skid. **Cut the straps and remove the wood frame.**

CAUTION

EACH UNIT WEIGHS 225 LBS (102.23 KILOGRAMS). FOR SAFE HANDLING, INSTALLER SHOULD OBTAIN HELP AS NEEDED, OR EMPLOY APPROPRIATE MATERIALS HANDLING EQUIPMENT (SUCH AS A FORKLIFT, DOLLY, OR PALLET JACK) TO REMOVE THE UNIT FROM THE SKID AND MOVE IT TO THE PLACE OF INSTALLATION.



CAUTION

ANY STAND, COUNTER OR OTHER DEVICE ON WHICH OVEN WILL BE LOCATED MUST BE DESIGNED TO SUPPORT THE WEIGHT OF THE OVEN.



CAUTION

SHIPPING STRAPS ARE UNDER TENSION AND CAN SNAP BACK WHEN CUT.



The oven may now be removed from its skid.

INSTALLATION

DANGER

THIS APPLIANCE MUST BE GROUNDED AT THE TERMINAL PROVIDED. FAILURE TO GROUND THE APPLIANCE COULD RESULT IN ELECTROCUTION AND DEATH.



WARNING

INSTALLATION OF THE UNIT MUST BE DONE BY PERSONNEL QUALIFIED TO WORK WITH ELECTRICITY AND PLUMBING. IMPROPER INSTALLATION CAN CAUSE INJURY TO PERSONNEL AND/OR DAMAGE TO EQUIPMENT. UNIT MUST BE INSTALLED IN ACCORDANCE WITH ALL APPLICABLE CODES.



NOTICE

The data plate is located on the back of the oven above the power outlet. The oven voltage, wattage, serial number, wire size, and clearance specifications are on the data plate. This information should be carefully read and understood before proceeding with the installation.



NOTICE

The installation of any components such as a vent hood, grease extractors, fire extinguisher systems, must conform to their applicable National, State and locally recognized installation standards.



Leg Installation

Legs are available for single, double, and counter top installations. Single deck installations require a 28-inch leg, double deck installations require a 16-inch leg, and counter top installations require a 4-inch leg.

To install the 28-inch legs, place some cardboard on the floor and gently tip the oven onto its back. Fasten two legs to the oven's front. Lift the oven onto its front legs and block the back up using one of the 28-inch legs set upside down in the center rear of the oven body. Install the last 28-inch leg onto the oven body on the control side rear. Gently lift the oven rear, remove the leg set to support the oven center and install it on the last rear corner.

To install the 16-inch legs follow the same instructions as the 28-inch legs.

To install the 4-inch legs, place some cardboard on the floor and gently tip the oven onto its back. Fasten the four 4-inch legs into the threaded holes provided on the bottom of the convection oven. Gently lift the oven onto the legs.

Stacking the Ovens

Stacking kits must be requested upon purchase.

Remove all the plug buttons from the top of the lower oven.

Remove the stacking kit from the oven compartment of one oven and install the 1/4-inch plastic bushing into the top of the lower oven.

Tip the top oven backwards and install two pins into the front leg holes of the top oven.

Lift the top oven and gently set on top of the lower oven so that the studs nest into the holes of the lower oven.

INSTALLATION CONT'D

Reversing the door

1. Disconnect oven from power.
2. Remove the top and bottom door hinge covers (4) by removing the two 10-32 Phillip head screws (8).
3. Remove the top door hinge bracket (1) from the oven by removing the two 1/4-20 Phillip head screws (7). The hinge should now slide off of the door pin (this will now be your right hand lower hinge)
4. Lift the door off of the bottom pin and set aside.
5. Remove the bottom door hinge bracket (2) by removing the two 1/4-20 Phillip head screws (7) (this will now be your upper right hand hinge).
6. Remove the lower hinge mounting plate (9) by pulling it from behind the leg pad adapter on the bottom of the oven.
7. Remove the two Phillips head screws in the bottom right corner of the oven, where the new hinge will be placed.
8. Slide the hinge mounting plate (9) into place and mount the hinge bracket (this should be your old upper hinge) using two 1/4-20 (7) Phillips head screws.
9. Remove the two Phillips head screws in the upper right corner of the oven where the new hinge will be placed.
10. Rotate the door 180° and slide the door pin into the bottom hinge bracket.
11. Slide the upper door hinge (1) onto the upper door pin and then screw into place using two 1/4-20 Phillip head screws.
12. Place the top and bottom door hinge covers (4) back on the oven using two 10-32 Phillip head screws (8).

ITEM NO.	QTY.	PART NO.	DESCRIPTION
1	1	EH-265	EH HINGE - TOP
2	1	EH-266	EH HINGE - BOTTOM
3	2	50313-031	HINGE PIN WELDMENT
4	2	EH-267	EH HINGE COVER
5	2	70201-19	Bronze Bearing - Flanged .625OD x .500ID x .500
6	2	70201-01	Bronze Thrust Bearing .625OD x .500ID x .125
7	2	20109-43	SCRW S/S 1/4-20 X 3/4 FLTHD PHIL
8	8	20109-15	10-32x1/2 PN PHL 18-8 Stainless Screw
9	1	EH-198	HINGE MOUNT PLATE - LOWER
10	2	20306-02	1/4-20 AVK (AKS4-420-165)

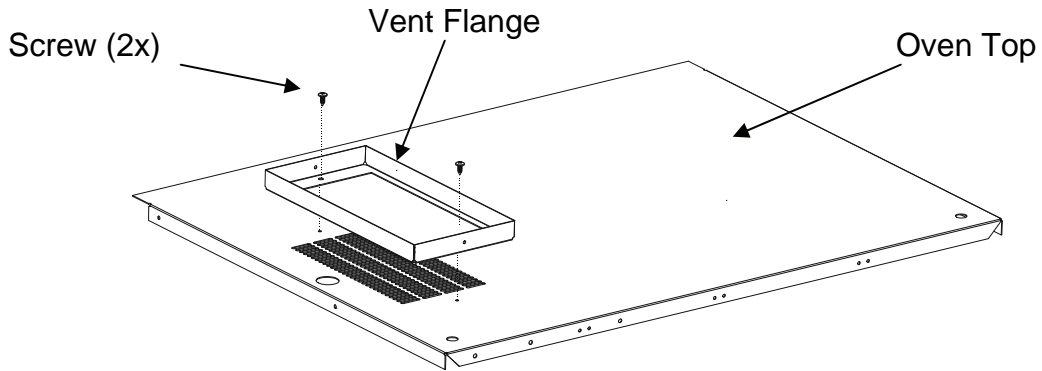
INSERT BEARINGS (ITEMS "5") INTO THE HINGES (ITEMS "1" & "2") AS SHOWN THEN REAM WITH A .508 REAMER.

	UNLESS OTHERWISE SPECIFIED DIMENSIONS ARE IN INCHES.	MATERIAL PART #	MATERIAL TYPE	BLANK DIMS.	X	BLANK AREA	5/8 in
	TOLERANCES ARE: .125" - .500" ± .005 .500" - 1.000" ± .010 1.000" - 1.500" ± .015 1.500" - 2.000" ± .020 2.000" - 3.000" ± .025 3.000" - 4.000" ± .030 4.000" - 5.000" ± .035 5.000" - 6.000" ± .040 6.000" - 7.000" ± .045 7.000" - 8.000" ± .050 8.000" - 9.000" ± .055 9.000" - 10.000" ± .060	DWN BY: DLG / DWN DATE: 09-10-03 / REV BY: DLG / REV DATE: 09-25-03 / CHR. BY: / CHR. DATE: / CAD FILE: 50313-030 / SHEET 1 OF 1 DESCRIPTION: EH HINGE REPLACEMENT KIT / DWG. NO: 50313-030 / REV: B					

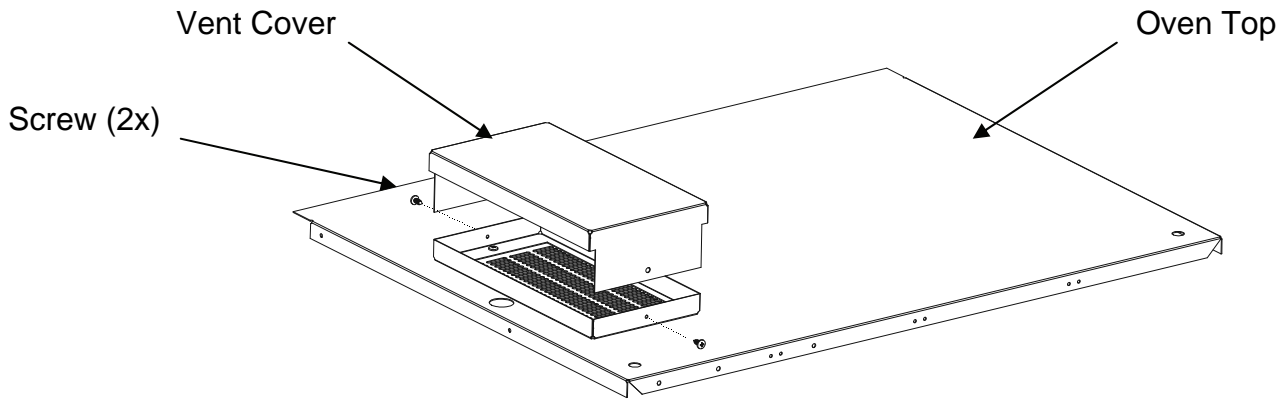
INSTALLATION CONT'D

Vent Cap Installation

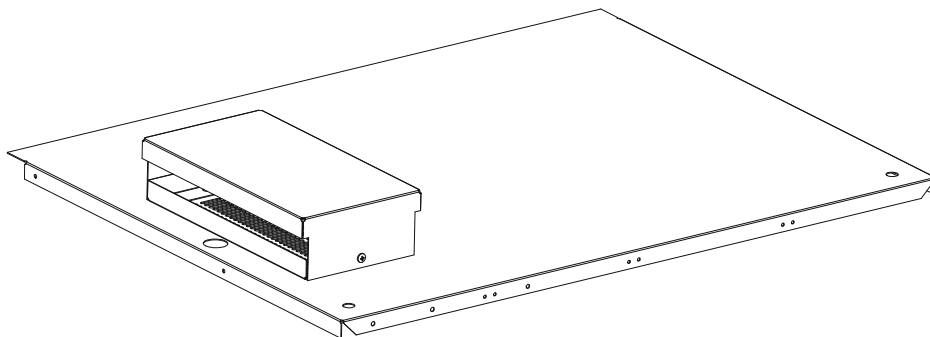
NOT REQUIRED IF OVEN HAS SOLID TOP!



Step one: Attach vent flange to oven top with screws



Step two: Attach vent cover to vent flange with screws



Step three: Assembly is complete

INSTALLATION CONT'D

Ventilation and Clearances

Standard minimum clearance from combustible construction is as follows.

- 4" from side
- 4" from back
- 6" from floor

These ovens may be set directly, without legs, on a curbed base or **non-combustible** floor.

If the oven is set without legs on a **non-combustible** floor or a curbed base, maintain a 4-inch back clearance.

If the oven is set directly against a **non-combustible** back wall, maintain a 6-inch clearance to the floor.

Do not install the oven closer than 4 inches from another oven on the right hand side (control panel side).

Do not install the oven closer than 12 inches from an uncontrolled heat source (char broiler etc.) on the right side.

Keep the appliance area free and clear of combustible material and do not obstruct the flow of combustion or ventilation air.

The installation of any components such as a vent hood, grease extractors, and/or fire extinguisher systems, must conform to the there applicable nationally recognized installation standards.

Electrical Connection

The electrical connection must be made in accordance with local codes or in the absence of local codes with **NFPA No. 70** latest edition (in Canada use: **CSA STD. C22.1**).

The electrical service entrance is provided by a 1 1/4-inch knockout at the oven back directly behind the control compartment. A grounding lug is provided at the rear service entrance.

The EHS-PP can be purchased with a Cord & Plug kit (Part number is listed in the parts portion of this manual.). This kit includes a 48" cord with a **NEMA L15-30P** plug.

Oven Voltage

The Lang Model EHS oven can be operated on 208, 240 (single or three phase), or 480-volt (three phase only) source. The Amp draw, KW rating, and phasing can be found in the wiring diagram section of this manual.

INITIAL START UP

Pre-Power On

After the oven is installed and connected to power, prior to turning on, verify the following:

- The door opens and closes freely.
- All racks are in the oven correctly.
- All packing materials have been removed from the inside of the oven.

Power On

Once oven has been turned on verify that the blower wheel is spinning freely in a clockwise position and that the elements are heating properly.

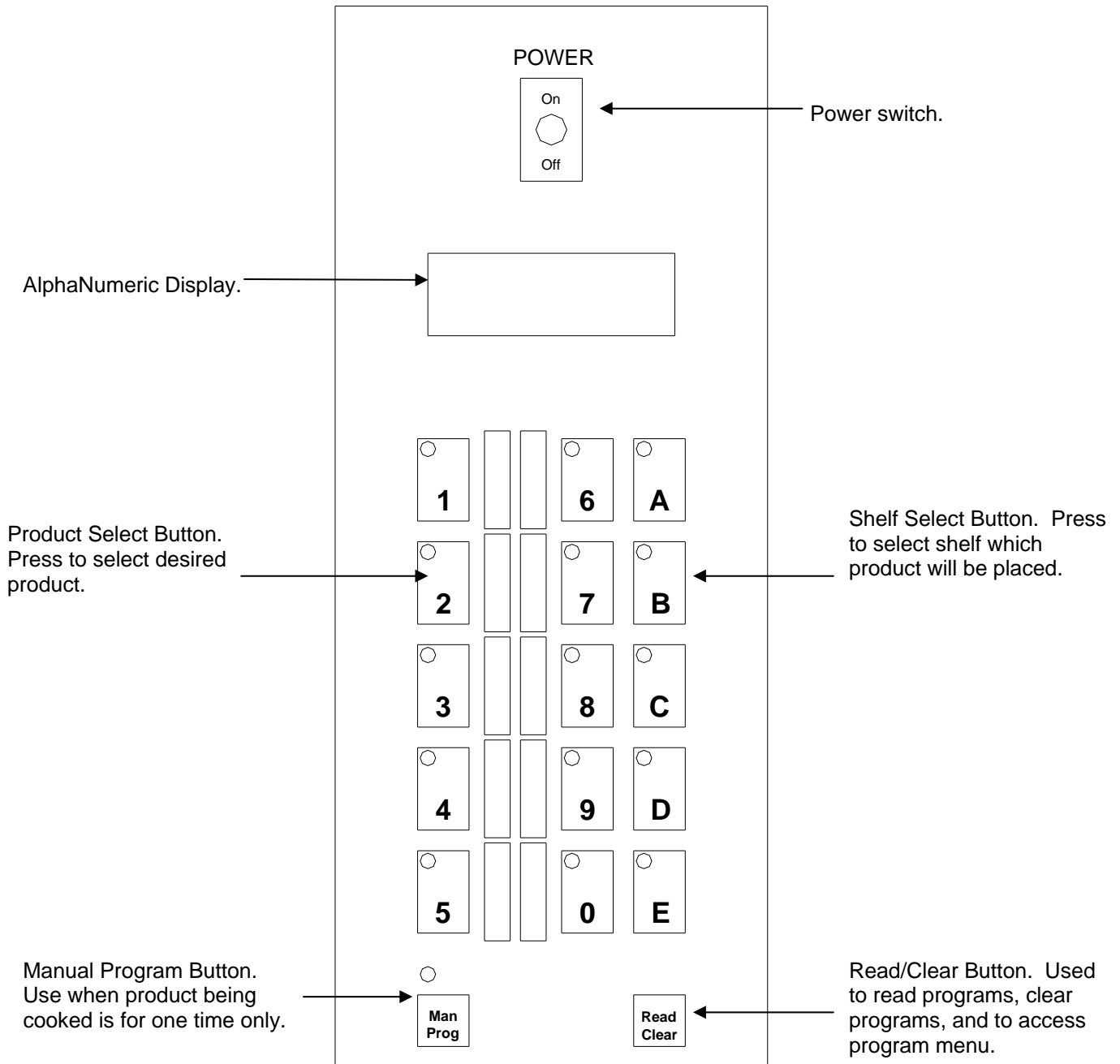
NOTICE

During the first few hours of operation you may notice a small amount of smoke coming off the oven, and a faint odor from the smoke. This is normal for a new oven and will disappear after the first few hours of use.



OPERATION

Control Panel



OPERATION CONT'D

Typical Operation Sequence

ACTION	RESULT
Turn power switch to ON.	Control panel comes on, display says “SELECT PRODUCT OR READ/CLEAR TO PROGRAM.”
Press a product button.	Display says “PRODUCT X PREHEATING TO XXX F” . Motor starts and oven begins preheating to the programmed temperature.
<i>Beeper sounds briefly.</i>	Display says “READY SELECT PRODUCT TO START ” .
Open the oven doors and load the product. Close the door and press the product button again.	Beeper sounds briefly and display says “SELECT OVEN SHELVES PRODUCT X” .
Press the shelf button(s) which correspond to the shelf positions, which the product is loaded (A equals the top shelf and E equals the bottom shelf).	Display shows a countdown timer and begins to count toward zero.
<i>Beeper sounds continuously.</i>	Display shows “DONE PRESS SHELF BUTTON X, REMOVE PRODUCT” , shelf button(s) flash.
Press the flashing shelf button(s).	Beeper stops. Display shows “READY SELECT PRODUCT TO START” if no other shelves carry product or resume count down for shelves that still have product cooking.
Open oven door and remove the product, which corresponds to flashing shelf button(s).	

Hints & Suggestions

Convection ovens constantly circulate air over and around the product. This strips away the thin layer of moisture and cool air from around the product allowing heat to penetrate more quickly.

Cooking times can be shortened and cooking temperatures can be reduced.

To convert standard deck oven recipes, reduce the temperature 50 degrees and the time by 25%. Make minor adjustments as necessary.

The lower the oven temperature the more even the bake.

Always weigh your product. This will give you a more consistent size, color and quality.

Check the product near the end of the initial cooking cycle.

Do not open the oven doors during baking as this will change the baking characteristics of the oven and make it difficult to determine a final program.

If the product is overdone on the outside and underdone on the inside, reduce the baking temperature.

If the product is pulling away from the edge of the pan, the temperature is too high or the cooking time too long.

The convection is a mechanical piece of equipment. The same control settings will always give the same results. If the results vary, problems may be because of product preparation.

Loading

When loading and unloading the oven, stage products and racks so the oven doors are opened for the least amount of time.

Be sure that racks are level within the oven.

Bent or warped pans can greatly affect the evenness of the cook or bake.

If using baker's parchment, be sure the parchment does not blow over the product. The will create a uneven bake.

Load each shelf evenly. Spaces should be maintained equally between the pan and oven walls, front and back.

Do not overload pan's this will create a uneven bake.

For best baking results, load the oven from the center out during random loading.

CAUTION

ALWAYS KEEP THE AREA NEAR THE APPLIANCE FREE FROM COMBUSTIBLE MATERIALS.



CAUTION

KEEP FLOOR IN FRONT OF EQUIPMENT CLEAN AND DRY. IF SPILLS OCCUR, CLEAN IMMEDIATELY, TO AVOID THE DANGER OF SLIPS OR FALLS.



MAINTENANCE & CLEANING

WARNING KEEP WATER AND SOLUTIONS OUT OF CONTROLS. NEVER SPRAY OR HOSE CONTROL CONSOLE, ELECTRICAL CONNECTIONS, ETC.



CAUTION MOST CLEANERS ARE HARMFUL TO THE SKIN, EYES, MUCOUS MEMBRANES AND CLOTHING. PRECAUTIONS SHOULD BE TAKEN TO WEAR RUBBER GLOVES, GOGGLES OR FACE SHIELD AND PROTECTIVE CLOTHING. CAREFULLY READ THE WARNING AND FOLLOW THE DIRECTIONS ON THE LABEL OF THE CLEANER TO BE USED.



NOTICE Never leave a chlorine sanitizer in contact with stainless steel surfaces longer than 10 minutes. Longer contact can cause corrosion.



Cleaning

- Always start with a cold oven.
- The stainless exterior can easily be cleaned using Lang Mfg. Prime Shine (72804-41) oven cleaner.
- Always follow the cleaner manufacturer's instructions when using any cleaner.
- Care should be taken to prevent caustic cleaning compounds from coming in contact with the blower wheel.
- The oven racks, rack slides, and interior may be cleaned using Lang Mfg. Foam Deluxe (72804-36) oven cleaner.
- Discoloration or heat tint may be removed using Lang Mfg. Carbon Release (72804-32) oven cleaner.
- Always apply these cleaners when the oven is cold and rub in the direction of the metal's grain.

TROUBLESHOOTING

Symptoms

What follows is a chart of Symptoms and Possible Causes to aid in diagnosing faults with the oven.

Refer to the Symptoms column to locate the type of failure then to the Possible Cause for the items to be checked.

To test for a possible causes refer to the TEST section and locate the Possible Cause then refer to test to identify test procedures.

SYMPTOM	POSSIBLE CAUSE
No Display	<ul style="list-style-type: none">• No power to cord outlet• Oven unplugged from outlet• Failed power cord or plug• Failed power switch• Contrast needs to be adjusted• Failed display board
Oven will not heat	<ul style="list-style-type: none">• Power Switch is not "ON"• Product has not been selected• Failed Transformer• Failed Probe• Failed Circuit board• Failed Contactor• Failed Over-temperature Thermostat• Failed Element
Oven motor will not run	<ul style="list-style-type: none">• Power Switch is not "ON"• Product has not been selected• Failed Transformer• Failed Contactor• Failed Motor• Failed Circuit board
Product burning	<ul style="list-style-type: none">• Product is cooked too long• Failed Probe• Failed Circuit board
Product under done	<ul style="list-style-type: none">• Product is not cooking long enough• Failed Probe• Failed Circuit board

TROUBLESHOOTING CONT'D

TESTS

If an item on the list is followed by an asterisk (*), the work should be done by a factory authorized service representative.

NOTICE

Service on this, or any other, LANG appliance must be performed by qualified personnel only. Consult your authorized service station directory or call the factory at 1-800-438-5264, or WWW.LANGWORLD.COM for the service station nearest you.



WARNING

BOTH HIGH AND LOW VOLTAGES ARE PRESENT INSIDE THIS APPLIANCE WHEN THE UNIT IS PLUGGED/WIRED INTO A LIVE RECEPTACLE. BEFORE REPLACING ANY PARTS, DISCONNECT THE UNIT FROM THE ELECTRIC POWER SUPPLY.



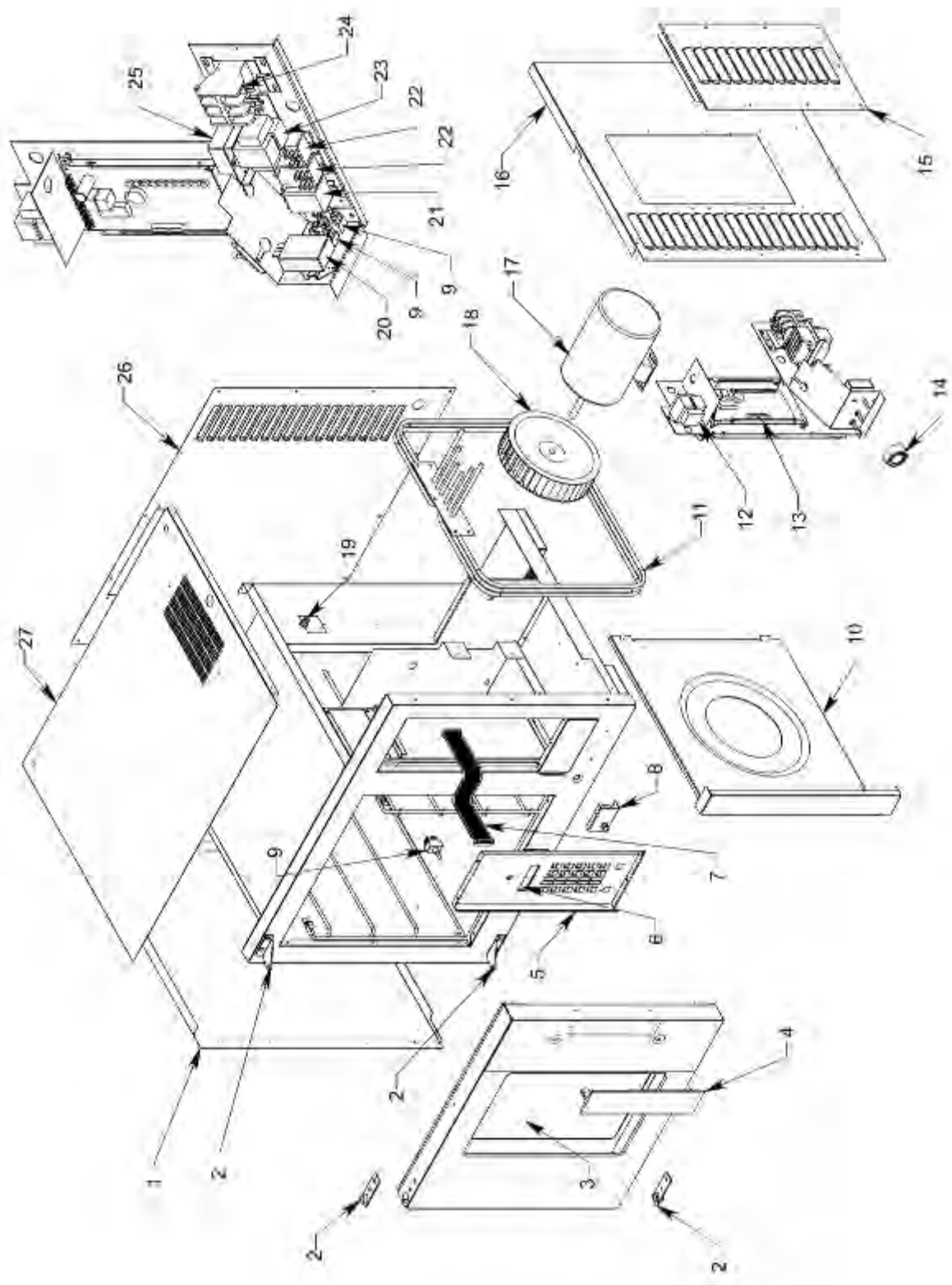
CAUTION

USE OF ANY REPLACEMENT PARTS OTHER THAN THOSE SUPPLIED BY LANG OR THEIR AUTHORIZED DISTRIBUTORS CAN CAUSE BODILY INJURY TO THE OPERATOR AND DAMAGE TO THE EQUIPMENT AND WILL VOID ALL WARRANTIES.



Possible Cause	TEST
Product is cooked too long	<ul style="list-style-type: none"> • No test available, operational condition
Failed Probe	<ul style="list-style-type: none"> • Check probe for proper resistance*
Failed Circuit board	<ul style="list-style-type: none"> • Confirm that Circuit board is getting correct voltage and putting out correct voltage*
Failed Transformer	<ul style="list-style-type: none"> • Check both Primary and Secondary coils for correct voltage*
Failed Contactor	<ul style="list-style-type: none"> • Remove the wires from the contactor coil and check for continuity across the contactor coil connection* • Ensure the contactor moveable points move freely up and down*
Failed Motor	<ul style="list-style-type: none"> • Confirm that motor is getting correct voltage*
Failed or disconnected safety thermostat	<ul style="list-style-type: none"> • Check across the thermostat connectors for continuity*
Failed Element	<ul style="list-style-type: none"> • Confirm that Elements are getting correct voltage and have continuity*

PARTS LIST



PARTS LIST

EHS-PP

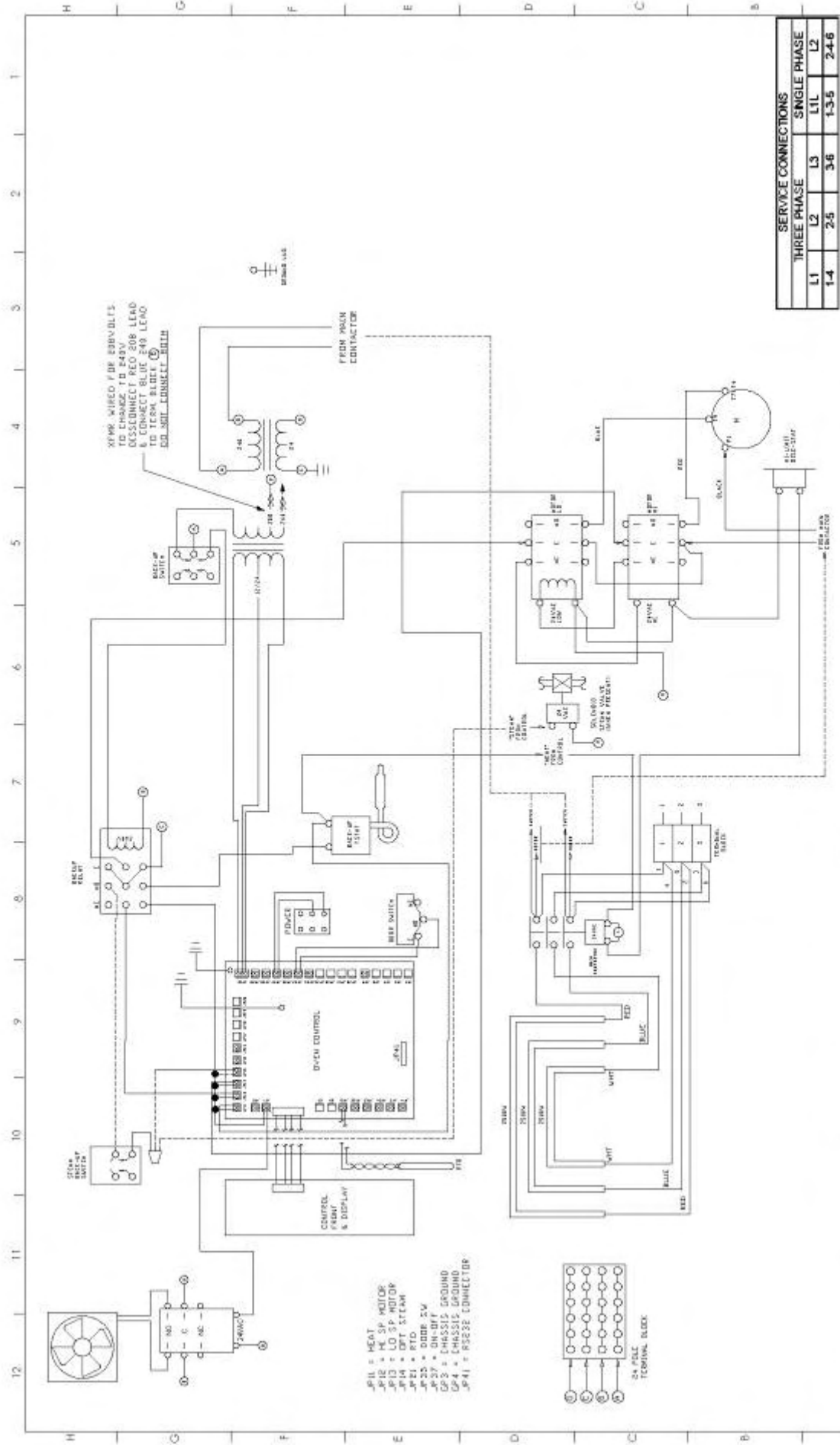
ELECTRIC HALF-SIZE COMPUTERIZED CONVECTION OVEN
--

Item	Qty	Part No.	Description
1	1	60102-1365	L/H Side, Aluminum
2	1	50313-030	Hinge Bracket Assembly
3	1	71301-04	Window Assembly
4	1	50800-12	Door Handle Assembly (includes hardware)
N/S	1	51100-53	Complete Door Assembly (with handle & hinge plate & bushing)
5	1	60101-7661	Panel Label (with metal)
6	1	40102-24	Display board
7	1	31110-13	Ribbon Cable Assembly
8A	1	30301-11	Switch, Plunger Assembly, Oven Door (Between V-27971 & After W-48418 except for reversible doors)
8B	1	51100-18	Switch, Micro, Oven Door (Before V-27971 & After W-48418 and all reversible doors)
9	3	30303-06	Toggle Switch, DPDT
10	1	60101-621	Oven Baffle Assembly
11A	1	11090-20	Element Assembly, 208-Volt, 7500 Watts
11B	1	11090-21	Element Assembly, 240-Volt, 7500 Watts
11C	1	11090-22	Element Assembly, 480-Volt, 7500 Watts
12	1	31400-26	Transformer, 208/240-24/12-Volt
13B	1	40102-26	Circuit Board, Main CPU (standard)
N/S	1	41100-12	Temperature Sensor Probe
14	1	70701-19	Knob, 450°Thermostat
15	1	60102-1368	Motor Cover, R/H Side
16	1	60102-1364	Panel, R/H Side
17A	1	30200-17	Motor, 1/3HP, 208/240-Volt
17B	1	30200-16	Motor, 1/3HP, 480-Volt
18	1	71500-06	Blower Wheel, Half-Size
19	1	60102-102	Safety Thermostat, 495° Open
20	1	30402-27	Thermostat, 450°F
21	1	30600-02	Relay, 240-Volt
22	2	30701-05	Solid State Relay, 2-Pole, 24-Volt (Motor)
23	1	31400-07	Transformer, 120/208/240-24-Volt

PARTS LIST Cont'd

EHS-PP			
ELECTRIC HALF-SIZE COMPUTERIZED CONVECTION OVEN			
24	1	30700-06	Contactactor, 3-Pole, 24-Volt (Heat)
25	1	30503-01	Terminal Block, 24 Pole
26	1	60102-1361	Back Panel
37	1	60102-136	Top Panel
N/S	2	20108-01	Stacking Pins
N/S	1	30500-09	Terminal Block, 3 Pole
N/S	1	31400-04	Transformer, 480/240-Volt
N/S	5	50200-34	Oven Rack
N/S	2	50200-83	Oven Rack Slide
N/S	1	60102-147	Door Magnet
N/S	1	60102-97	Door Seal
N/S	1	EH-550	Wiring Harness, Element
N/S	1	EH-551	Wiring Harness, High Voltage Control
N/S	1	EH-553	Wiring Harness, Low Voltage Control
N/S	1	EH-554	Wiring Harness, Power Switch
N/S	1	30200-46	Motor, Cooling fan

WIRING DIAGRAM 208/240



- J11 = HEAT
- J12 = L1 SP MOTOR
- J13 = L2 SP MOTOR
- J14 = OPT STEAM
- J15 = RTD
- J25 = DDBB 24V
- J27 = ON-OFF
- CP3 = CHASSIS GROUND
- CP4 = CHASSIS GROUND
- J41 = PHASE CONNECTOR

SERVICE CONNECTIONS			
THREE PHASE		SINGLE PHASE	
L1	L2	L3	L2
1-4	2-5	3-6	1-3-5
			2-4-6

EH	VOLTS	Kw		
		L1-L2	L2-L3	L3-L1
EH	208	2.5	2.5	3.1
EH	240	2.5	2.5	3.1
		TOTAL		
		8.1	20.3	20.2
		8.1	16.0	35.8

Lang Manufacturing Company

DESCRIPTION: W/D EH PP WITH 2 SPEED MOTOR 208/240VAC

DWG. NO. 61111-147

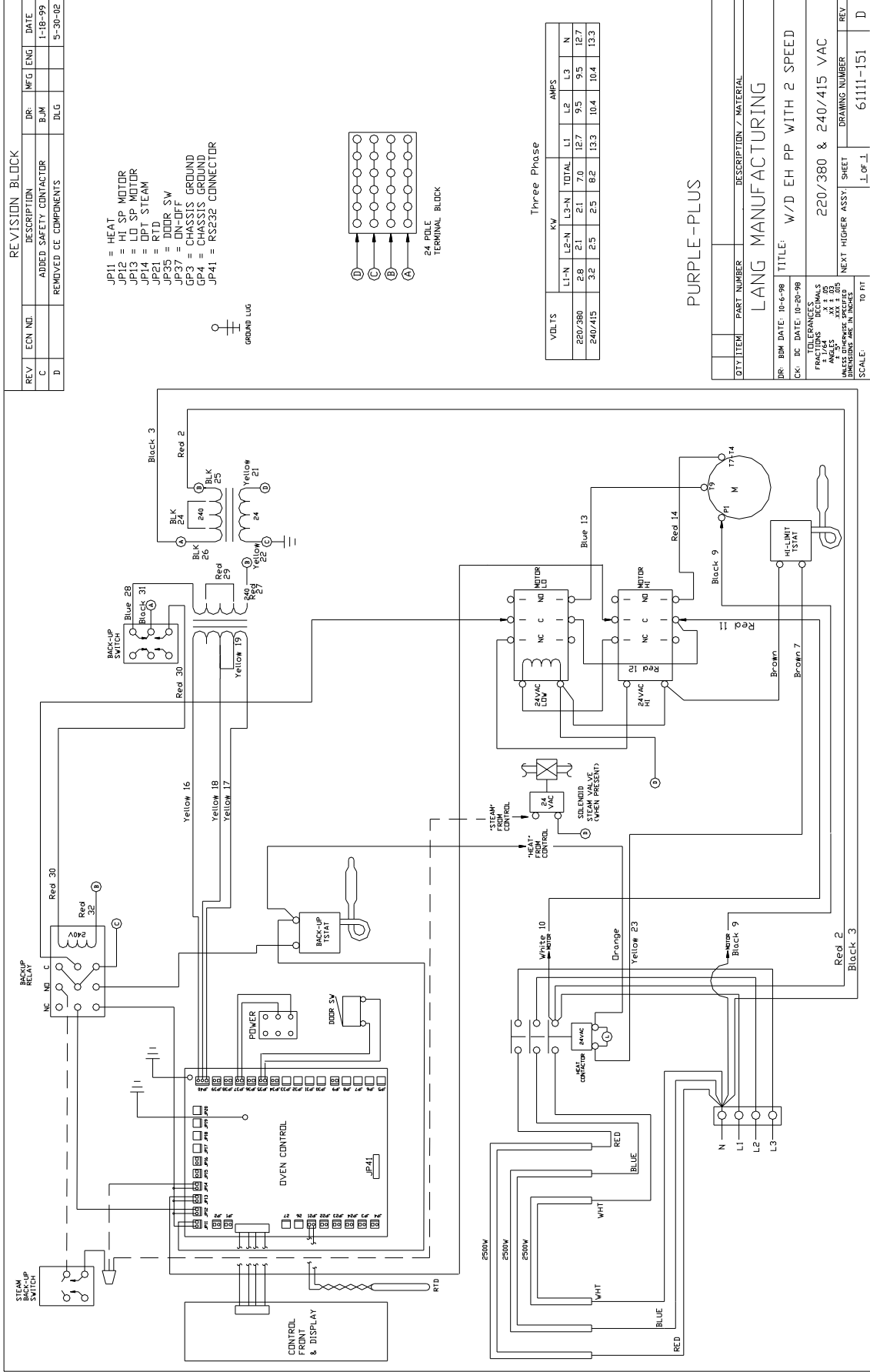
SHEET 1 OF 1

REV. DATE: /

REV. BY: /

REV. DATE: /

WIRING DIAGRAM 220/380 & 240/415



PURPLE-PLUS

QTY	ITEM	PART NUMBER	DESCRIPTION / MATERIAL
LANG MANUFACTURING			
DR. BOM DATE: 10-6-99			
CHK. RC DATE: 10-20-99			
TITLE: W/D EH PP WITH 2 SPEED			
TOLERANCES UNLESS OTHERWISE SPECIFIED			
FRAC. DECIMALS ANGLES			
1/16 3/32 1/8 1/4 3/8 1/2 3/4 1 1 1/2 2 3 4 6 8 10 12 16 20 24 30 36 48 60 72 96 120			
DECIMALS ANGLES			
.015 .030 .060 .125 .250 .500 .750 1.000 1.500 2.000 3.000 4.000 6.000 8.000 10.000 15.000 20.000 30.000 40.000 60.000 80.000 100.000			
DIMENSIONS ARE IN INCHES UNLESS OTHERWISE SPECIFIED			
SCALE: _____ TO FT		NEXT HIGHER ASSY: SHEET _____ DRAWING NUMBER _____ REV _____	
L OF J _____		61111-151 D	

