



IMPORTANT FOR FUTURE REFERENCE

Please complete this information and retain this manual for the life of the equipment:

Model #: _____

Serial #: _____

Date Purchased: _____

ENGLISH

Exploded Parts Manual



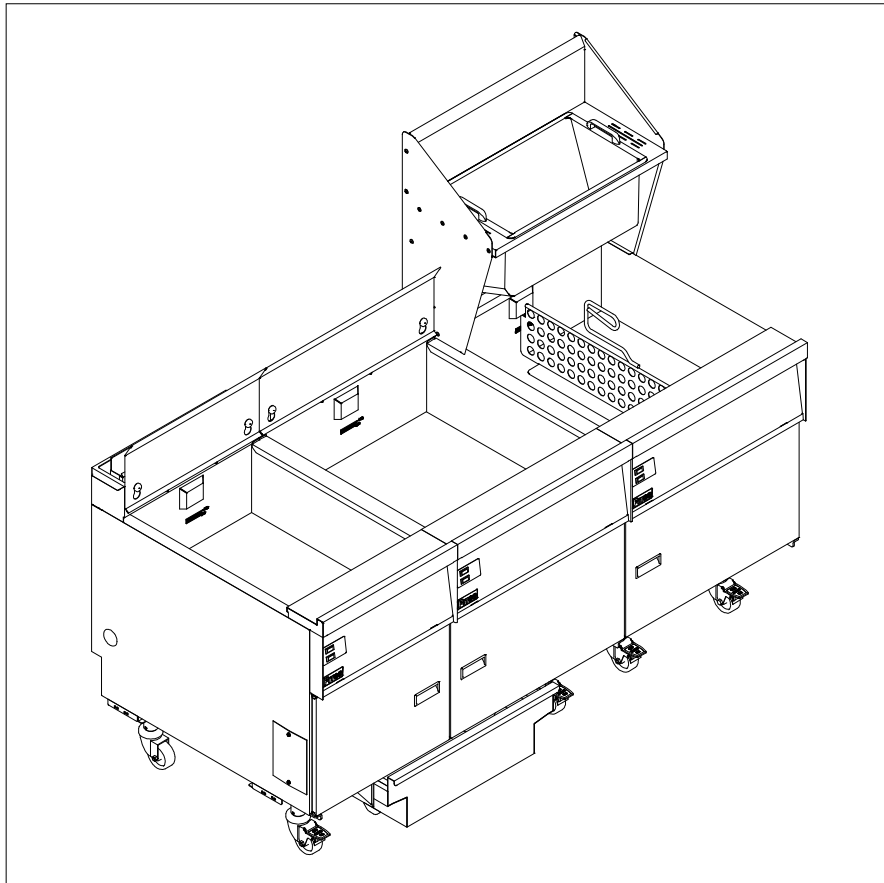
MODELS

LJ-FBG18

LJ-FBG24

LJ-FBGD14

LJ-FBGD18



Post in a prominent location the instructions to be followed in the event that an operator smells gas. Obtain this information from your local gas supplier.

WARNING

DO NOT store or use gasoline or other flammable vapors and liquids in the vicinity of this or any other appliance.

WARNING

Improper installation, alteration, service or maintenance can cause property damage, injury or death. Read the installation, operating and maintenance instructions thoroughly before installing or servicing this appliance.

WARNING

Installation, maintenance and repairs should be performed by a Pitco Authorized Service and Parts (ASAP) company technician or other qualified personnel. Installation, maintenance or repairs by unauthorized or unqualified personnel will void the warranty.

WARNING

Installation and all connections must be made according to national and local regulations and codes in force.

WARNING

During the warranty period if a customer elects to use a non-original part or modifies an original part purchased from Pitco and/or its Authorized Service and Parts (ASAP) companies, this warranty will be void. In addition, Pitco and its affiliates will not be liable for any claims, damages or expenses incurred by the customer which arises directly or indirectly, in whole or in part, due to the installation of any modified part and/or received from an unauthorized service center.

WARNING

This appliance, when installed, must be electrically grounded in accordance with local codes, or in the absence of local codes, with the National Electrical Code, ANSI/NFPA 70, or the Canadian Electrical Code, CSA C22.2, as applicable.

WARNING

Adequate means must be provided to LIMIT the movement or this appliance without depending on the gas or electrical cord connection. Single appliances equipped with legs must be stabilized by installing anchor straps. All appliances equipped with casters must be stabilized by installing restraining chains.

WARNING

An appliance equipped with casters and a flexible gas line must be connected to the gas supply with a quick disconnect device. This quick disconnect must comply with ANSI Z24.41.

WARNING

DO NOT alter or remove structural material on the appliance to accommodate placement under a ventilation hood.

WARNING

This appliance is intended for professional use only and should be operated by fully trained and qualified personnel.

WARNING

If the appliance is equipped with a power cord and it is damaged, it must be replaced by a Pitco Authorized Service and Parts (ASAP) company technician, or a similarly qualified person in order to avoid a hazard.

WARNING

The power supply must be disconnected before servicing, maintaining or cleaning this appliance.

WARNING

The appliance is NOT jet stream approved. DO NOT clean the appliance with a water jet.

WARNING

DO NOT attempt to move this appliance or transfer hot liquids from one container to another when the unit is at operating temperature or filled with hot liquids. Serious personal injury could result if skin comes in contact with the hot surfaces or liquids.

WARNING

DO NOT sit or stand on this appliance. The appliance's front panel, tank, splash back, tank cover, workshelf, drain board is not a step. Serious injury could result from slipping, falling or contact with hot liquids.

WARNING

NEVER use the appliance as a step for cleaning or accessing the ventilation hood. Serious injury could result from slips, trips or from contacting hot liquids.

WARNING

The oil/shortening level should NOT fall below the minimum indicated level line at any time. The use of old shortening can be dangerous as it will have a reduced flash point and be more prone to surge boiling.

WARNING

The particles, crumbs and cracklings from the crumb tray/catch (if supplied) in a filtering system must be emptied into a fireproof container at the end of the frying operation each day. Some food particles can spontaneously combust into flames if left soaking in certain oil/shortening materials.

WARNING

Completely shut the appliance down when shortening/oil is being drained from the appliance. This will prevent the appliance from heating up during the draining and filling process. Serious injury can occur.

WARNING

This appliance is intended for indoor use only.

WARNING

DO NOT operate appliance unless all panels and access covers are attached correctly.

WARNING

It is recommended that this appliance be inspected by a qualified service technician for proper performance and operation on a yearly basis.

WARNING

There is an open flame inside this appliance. The unit may get hot enough to set nearby materials on fire. Keep the area around the appliance free from combustibles.

WARNING

DO NOT supply the appliance with a gas that is not indicated on the data plate. If you need to convert the appliance to another type of fuel, contact your dealer.

WARNING

DO NOT use an open flame to check for gas leaks!

WARNING

If gas flow to appliance is interrupted, or pilots extinguish, wait 5 minutes before attempting to relight the pilot to allow any residual gas in appliance to dissipate.

WARNING

Ensure that the appliance can get enough air to keep the flame burning correctly. If the flame is starved for air, it can give off a dangerous carbon monoxide gas. Carbon monoxide is a clear odorless gas that can cause suffocation.



TABLE OF CONTENTS

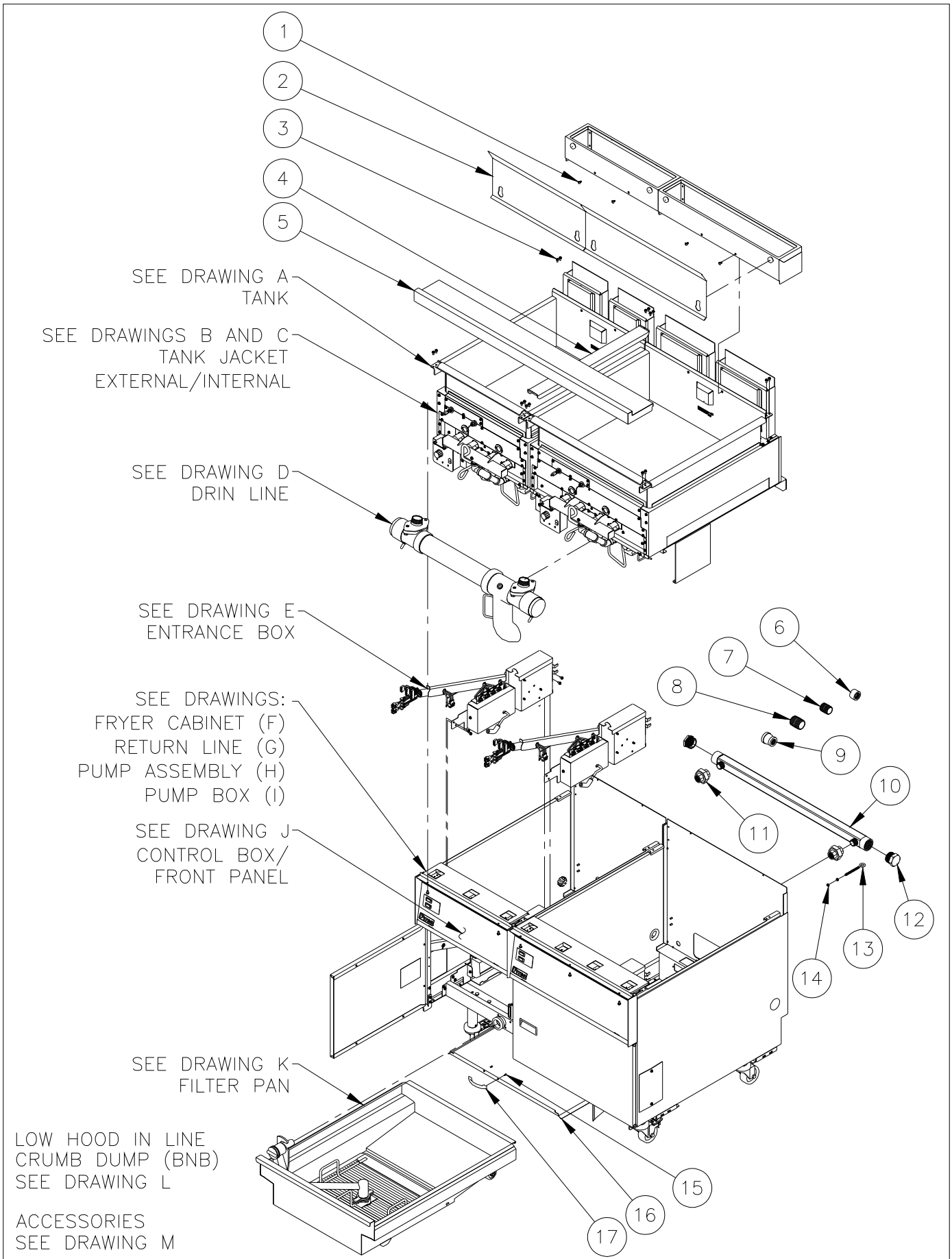
FRYER EXPLODED VIEW	4
FRYER EXPLODED VIEW PARTS LIST	4
FRYER EXPLODED VIEW	5
A) TANK.....	6
TANK DRAWING A PARTS LIST	6
TANK DRAWING A	7
B) TANK JACKET EXTERNAL.....	8
TANK JACKET EXTERNAL DRAWING B PARTS LIST.....	8
TANK JACKET EXTERNAL DRAWING B.....	9
C) TANK JACKET INTERNAL	10
TANK JACKET INTERNAL DRAWING C PARTS LIST.....	10
TANK JACKET INTERNAL DRAWING C.....	11
D) DRAIN LINE.....	12
DRAIN LINE DRAWING D PARTS LIST	12
DRAIN LINE DRAWING D.....	13
E) ENTRANCE BOX.....	14
ENTRANCE BOX DRAWING E PARTS LIST.....	14
ENTRANCE BOX DRAWING E.....	15
F) FRYER CABINET	16
FRYER CABINET DRAWING F PARTS LIST	16
FRYER CABINET DRAWING F.....	17
G) RETURN LINE.....	18
RETURN LINE DRAWING G PARTS LIST.....	18
RETURN LINE DRAWING G.....	19
H) PUMP ASSEMBLY.....	20
PUMP ASSEMBLY DRAWING H PART LIST	20
PUMP ASSEMBLY DRAWING H.....	21
I) PUMP BOX	22
PUMP BOX DRAWING I PARTS LIST	22
PUMP BOX DRAWING I	23
J) CONTROL BOX/FRONT PANEL	24
CONTROL BOX/FRONT PANEL DRAWING J PARTS LIST	24
CONTROL BOX/FRONT PANEL DRAWING J	25
K) FILTER PAN.....	26
FILTER PAN DRAWING K PARTS LIST.....	26
FILTER PAN DRAWING K.....	27
L) IN LINE CRUMB DUMP	28
IN LINE CRUMB DUMP DRAWING L PARTS LIST	28
IN LINE CRUMB DUMP DRAWING L.....	29
M) ACCESSORIES.....	30
ACCESSORIES DRAWING M PARTS LIST	30
ACCESSORIES DRAWING M	31

FRYER EXPLODED VIEW

Fryer Exploded View Parts List

ITEM#	PART#	PART DESCRIPTION
1	60125801	SCREW 10 - 24 X 3/8 TRUSS HEAD STAINLESS SLOTTED
2	A4109302-C	SPLASH BACK FLUE SHIELD FBG18 CANOPY HOOD
	A4109304-C	SPLASH BACK FLUE SHIELD FBG24 CANOPY HOOD
3	P0075400	SCREW 10 - 24 X 1/2 SELF TAP
4	A1908702-C	CHANNEL STRIP JOINING FBG TO FBG
	A1908704-C	CHANNEL STRIP JOINING FBG TO SG
5	B3634901	FRONT PANEL TOP DECK FBG18
	B3634902	FRONT PANEL TOP DECK FBG24
	B3634903	FRONT PANEL TOP DECK FBG24-2
	B3634904	FRONT PANEL TOP DECK FBG18-2
	B3634905	FRONT PANEL TOP DECK FBG18/24
	B3634906	FRONT PANEL TOP DECK FBG18/24-2
	B3634907	FRONT PANEL TOP DECK SG14FBG
	B3634908	FRONT PANEL TOP DECK SG18FBG
	B3634909	FRONT PANEL TOP DECK SG14FBG/FBG18
	B3634910	FRONT PANEL TOP DECK SG14FBG/FBG24
	B3634911	FRONT PANEL TOP DECK SG18FBG/FBG18
	B3634912	FRONT PANEL TOP DECK SG18FBG/FBG24
	B3634913	FRONT PANEL TOP DECK SG14FBG-2
	B3634914	FRONT PANEL TOP DECK SG18FBG-2
6	60113401	CAP 3/4 NPT
7	P7037350	NIPPLE 3/4 NPT CLOSE BLACK IRON
8	P7037350	NIPPLE 1 NPT CLOSE BLACK IRON
9	P7036970	REDUCER COUPLING 1 NPT X 3/4 NPT
10	B8040101	REAR TEE MANIFOLD WELDMENT DUAL
	B8040102	REAR TEE MANIFOLD WELDMENT FBG24-3 OR FBG18/FBG24-2
	B8040103	REAR TEE MANIFOLD FBG18-3 OR 24/18-2 OR 24-2/18 OR 18/24/18
	B8040104	REAR TEE MANIFOLD WELDMENT FBG24/18/24 OR 18-2/24
	B8040105	REAR TEE MANIFOLD WELDMENT FBG18/SG OR FBG24/SG
	B8040106	REAR TEE MANIFOLD WELDMENT SG/FBG18
	B8040107	REAR TEE MANIFOLD WELDMENT SG/FBG24
	B8040108	REAR TEE MANIFOLD WELDMENT FBG DUAL/SG
	B8040109	REAR TEE MANIFOLD WELDMENT SG/FBG18/FBG24
	B8040110	REAR TEE MANIFOLD WELDMENT SG/FBG24-2
	B8040111	REAR TEE MANIFOLD WELDMENT SG/FBG18-2
	B8040112	REAR TEE MANIFOLD WELDMENT SG/FBG24/FBG18
11	P7036904	UNION 3/4 NPT BLACK IRON
12	PP10479	PLUG 1-1/4 NPT HEX HEAD BLACK IRON
13	60134201	EYEBOLT 1/4 - 20 FULL THREAD (PART OF GAS HOSE KIT)
14	P0093300	NUT 1/4 - 20 KEP HEX
15	P0007300	SCREW 8 - 32 X 1/4 HEX HEAD
16	A7021102	FILTER PAN COVER
17	P6071516	CHROME HANDLE 3"

Fryer Exploded View

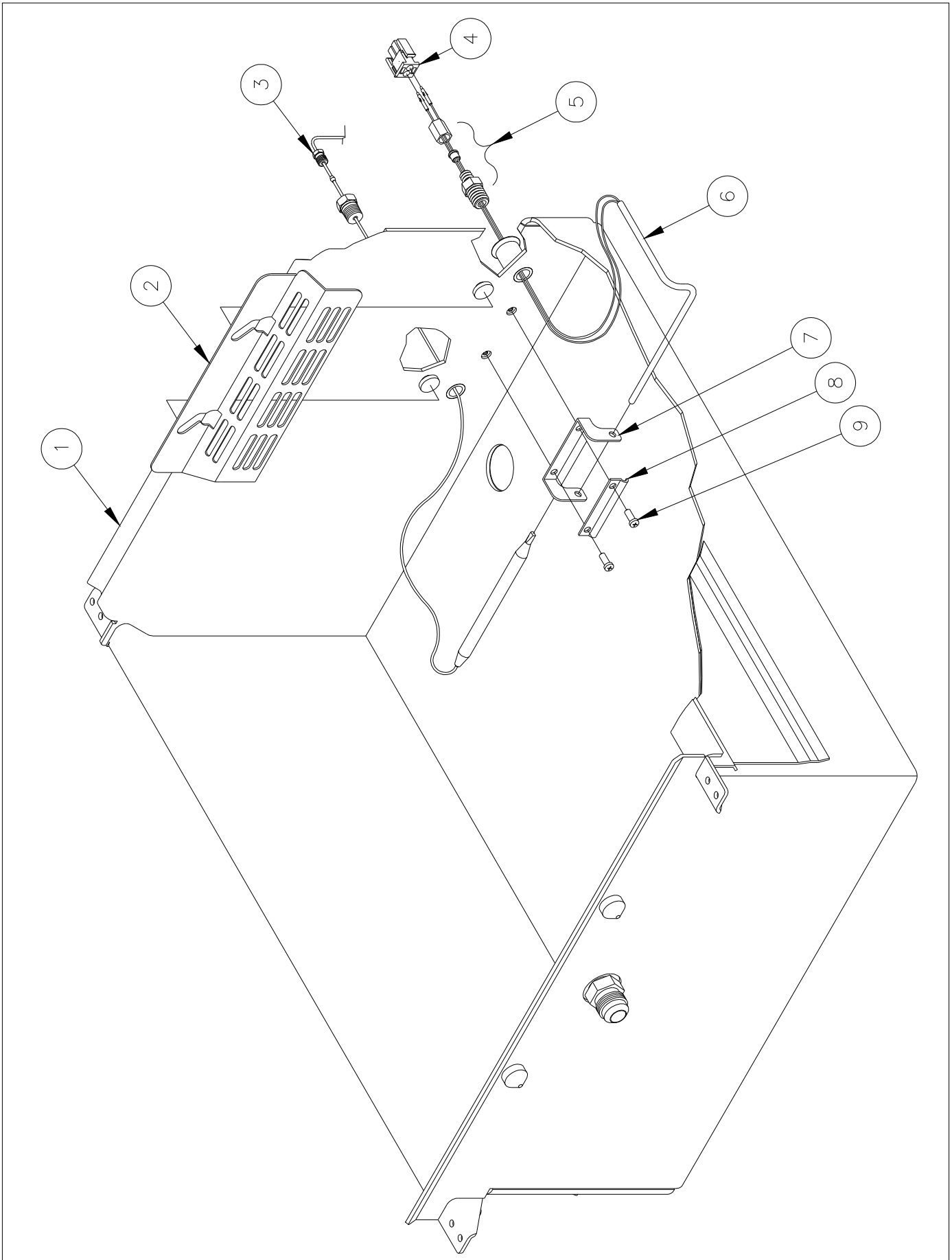


A) TANK

Tank Drawing A Parts List

ITEM#	PART#	PART DESCRIPTION
1	B3326201	TANK FBG18
	B3326301	TANK FBG24
2	A3344804-C	TANK PROBE SHIELD FBG18
	A3344806-C	TANK PROBE SHIELD FBG24
3	PP10084	HI-LIMIT LCHM05030
4	P5045829	CONNECTOR 2 POSITION MOLEX PLUG
5	PP10916	COMPRESSION FITTING PROBE
6	60146201	PROBE 3.69 X 5.00 X 1.27
7	A1407402-C	CLIP PROBE
8	A1407002-C	CLIP HI-LIMIT
9	PP11366	SCREW 10 - 24 5/8 STAINLESS
10	B3326401	DRAIN PLUG
11	B6700607-C	PROBE SVC KIT (60146201,P5045829,PP10916,S2016134)

Tank Drawing A

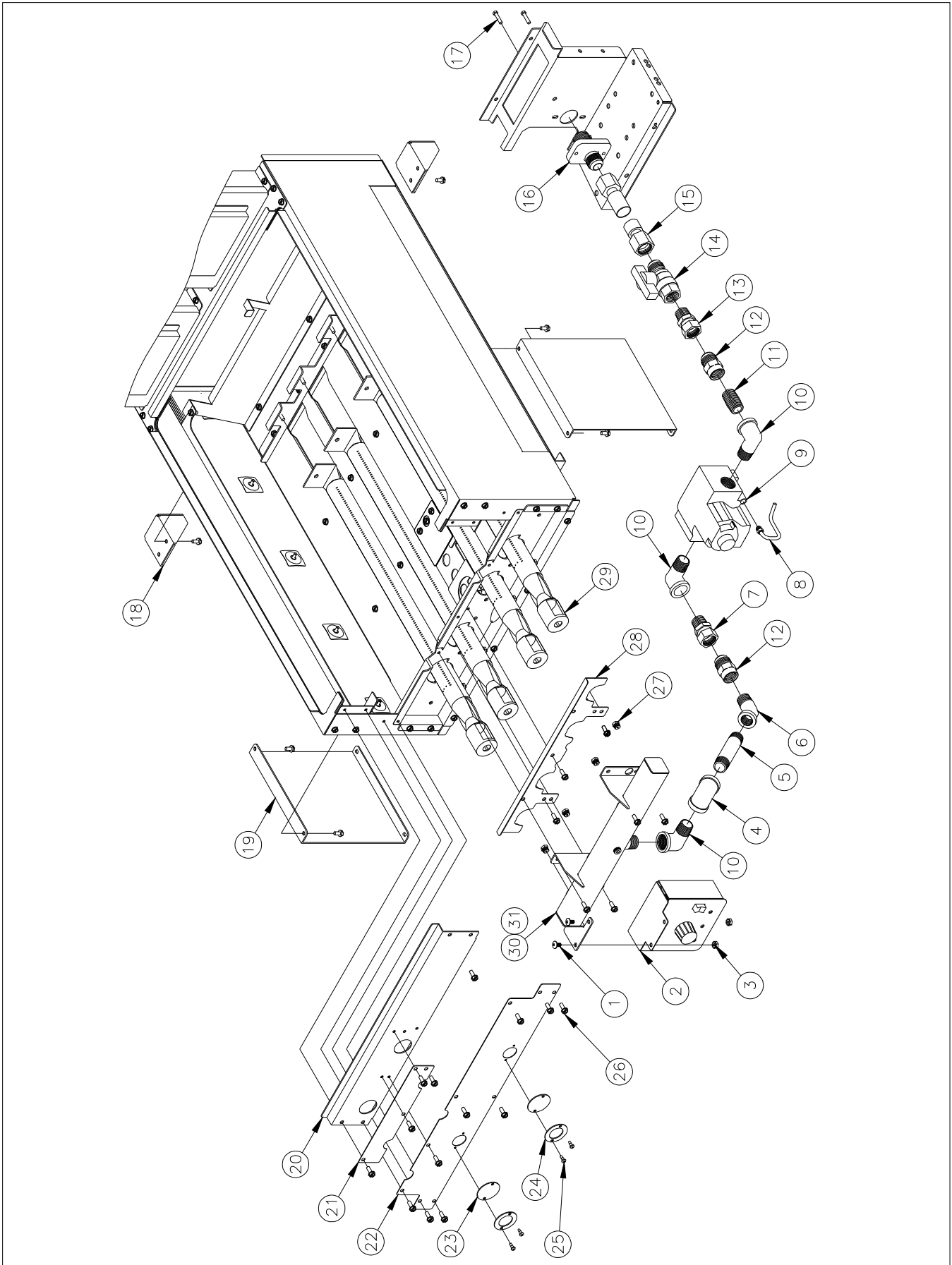


B) TANK JACKET EXTERNAL

Tank Jacket External Drawing B Parts List

ITEM#	PART#	PART DESCRIPTION
1	PP10693	SCREW 10 - 24 X 3/8
2	B2005401	SOLID STATE THERMOSTAT FBG
3	P0092300	NUT HEX KEP 10-24
4	P7037678	ELBOW 90 DEGREE 1/2 NPT BLACK IRON
5	P7037095	NIPPLE 1/2 NPT X 3 BLACK IRON
6	P7037771	ELBOW 45 DEGREE STREET 1/2 NPT BLACK IRON
7	60127601	ADAPTER FEMALE 15/16 SWIVEL FLARE X MALE 1/2 NPT
8	60125901	GAS VALVE VENT TUBE
9	60113501	GAS VALVE FAST ACTING 24V VR8204 NATURAL
	60113502	GAS VALVE FAST ACTING 24V VR8204 PROPANE
10	P7037750	ELBOW 90 DEGREE STREET 1/2 NPT BLACK IRON
11	P7037090	NIPPLE 1/2 NPT X CLOSE BLACK IRON
12	60127501	ADAPTER FEMALE 1/2 NPT X MALE 15/16 FLARE
13	60127601	ADAPTER FEMALE 15/16 SWIVEL FLARE X MALE 1/2 NPT
14	60128101	GAS SUPPLY SHUTOFF VALVE
	60128015	FLEXIBLE GAS ONLY 22" TUBING WITH FITTINGS POST 5/05
15	60128014	FLEXIBLE GAS ONLY 22" TUBING WITH FITTINGS PRIOR TO 5/05
16	A8029105	GAS SUPPLY FITTING SHORT POST 5/05
	A8029103	GAS SUPPLY FITTING LONG PRIOR TO 5/05
17	60129301	SCREW 10-24 X 5/8 W/LOC-TITE
18	A3347201-C	TANK JACKET REAR SUPPORT
19	A3347101-C	TANK JACKET FRONT SUPPORT
20	A3344901-C	TANK JACKET FRONT EXHAUST FBG18
	A3344903-C	TANK JACKET FRONT EXHAUST FBG24
21	A3345601-C	TANK JACKET UPPER COVER
22	A3345001-C	TANK JACKET LOWER COVER FBG18
	A3345003-C	TANK JACKET LOWER COVER FBG18
23	A8003001	SIGHT GLASS 1.25 OD
24	A8003301-C	SIGHT GLASS RETAINING WASHER
25	PP10391	SCREW #6 X 3/8 TYPE B
26	P0075400	SCREW 10 - 24 X 1/2 SELF TAP
27	P6071343	#43 ORIFICE NATURAL FBG18
	A7513701	1.45 MM ORIFICE PROPANE FBG18
	P6071340	#40 ORIFICE NATURAL FBG24
	P6071309	.0625 ORIFICE PROPANE FBG24
28	A8036501-C	BURNER BRACKET RETAINER
29	60138901	BURNER 1.25 DIAMETER
30	B8039701	GAS MANIFOLD WELDMENT FBG
31	60129701	BURNER FITTING

Tank Jacket External Drawing B

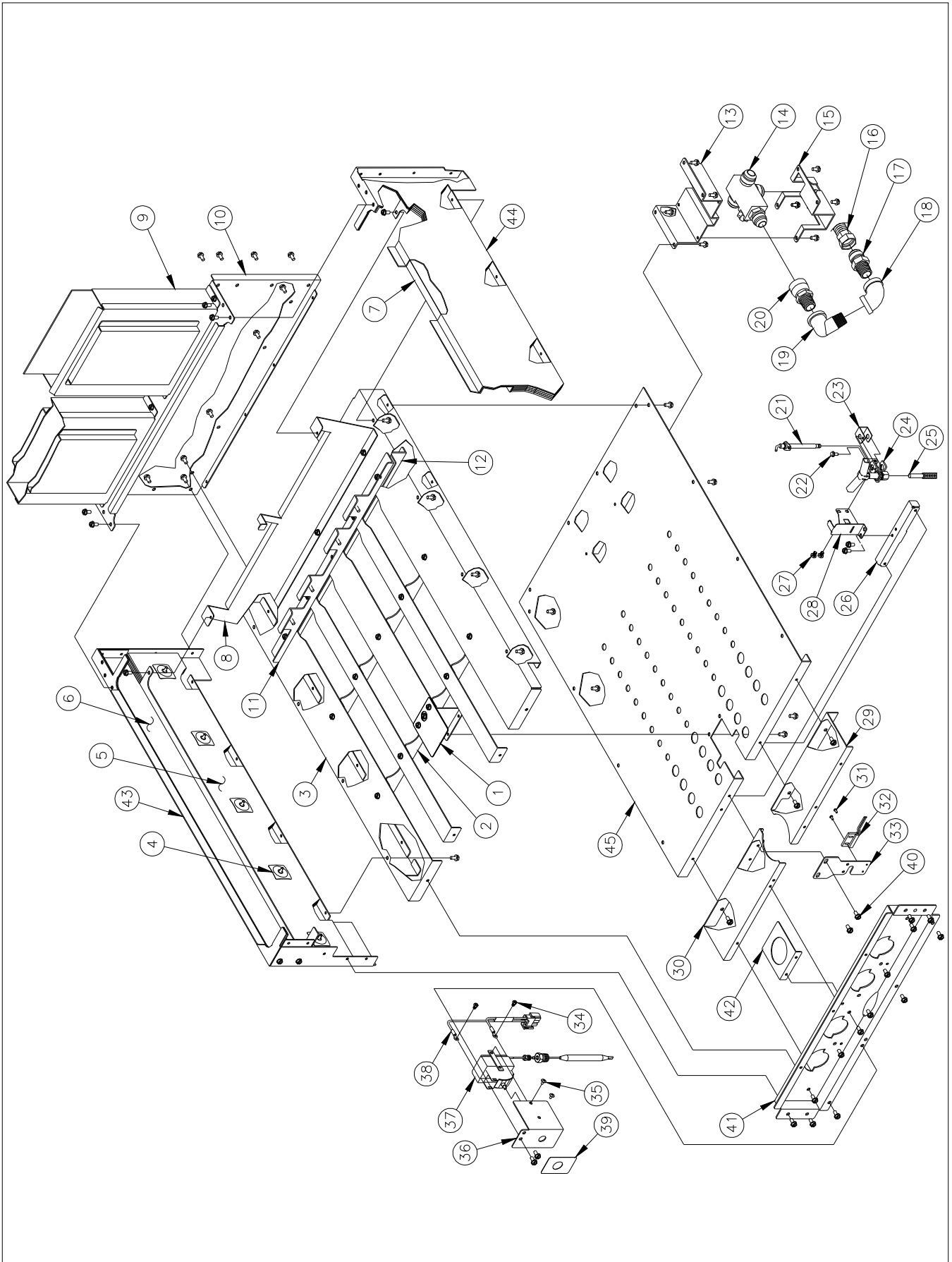


C) TANK JACKET INTERNAL

Tank Jacket Internal Drawing C Parts List

ITEM#	PART#	PART DESCRIPTION
1	A3347702-C	TANK JACKET AIR PLATE FBG
2	A3345701-C	TANK JACKET BURNER MOUNT BRACKET FRONT FBG18
	A3345703-C	TANK JACKET BURNER MOUNT BRACKET FRONT FBG24
3	A3345202-C	TANK JACKET BURNER MOUNT PLATE FBG18
	A3345204-C	TANK JACKET BURNER MOUNT PLATE FBG24
4	PP10877	INSULATION RETAINING WASHER (FOR PIN ON ITEMS 43 AND 44)
5	A3346001	TANK JACKET INSULATION FBG
6	A3345901-C	TANK JACKET SIDE INSERT LEFT-HAND FBG
7	A3345903-C	TANK JACKET SIDE INSERT RIGHT-HAND FBG
8	A3527401-C	FLUE DRAFT RESTRICTOR FBG18
	A3527403-C	FLUE DRAFT RESTRICTOR FBG24
9	B3504501	FLUE WELDMENT FBG18
	B3504601	FLUE WELDMENT FBG24
10	A3527301-C	FLUE BOX FBG18
	A3527303-C	FLUE BOX FBG24
11	A3345501-C	TANK JACKET BURNER MOUNT BRACKET REAR FBG18
	A3345503-C	TANK JACKET BURNER MOUNT BRACKET REAR FBG24
12	A3347601-C	TANK JACKET BURNER MOUNT STIFFENER FBG18
	A3347603-C	TANK JACKET BURNER MOUNT STIFFENER FBG24
13	A7031301-C	FILTER RETURN BRACKET UPPER FBG
14	60131801	FILTER RETURN VALVE 3 WAY
15	A7031701-C	FILTER RETURN BRACKET LOWER FBG
16	60128010	FLEXIBLE TUBING WITH FITTINGS 22" .56 OD
17	60129902	ADAPTER MALE 15/16 FLARE X MALE 1/2 NPT
18	P7037678	ELBOW 90 DEGREE 1/2 NPT BLACK IRON
19	P7037750	ELBOW 90 DEGREE STREET 1/2 NPT BLACK IRON
20	60130101	ADAPTER MALE 1/2 NPT X FEMALE 7/8 SWIVEL
21	A8036403	FLAME SENSOR FBG
22	P0075200	SCREW 8 - 18 X 1/2 HEX SELF DRILL
23	A8037001-C	PILOT ELECTRODE ALIGNMENT BRACKET
24	60128804	PILOT REVERSE STANDING 2.67 HOOD NAT FBG
	60128805	PILOT REVERSE STANDING 2.67 HOOD LP FBG
25	60119001	FLEXIBLE TUBING WITHOUT FITTINGS 18" 1/4 OD
26	A8036701-C	PILOT BRACKET FBG
27	60088001	SCREW, 10 - 32 X 1/4 HEX STAINLESS
28	A8037102-C	PILOT MOUNTING BRACKET FBG
29	A3345103-C	TANK JACKET SPACER RIGHT-HAND FBG18
	A3345107-C	TANK JACKET SPACER RIGHT-HAND FBG24
30	A3345101-C	TANK JACKET SPACER LEFT-HAND FBG18
	A3345105-C	TANK JACKET SPACER LEFT-HAND FBG24
31	PP10266	SCREW 4 - 40 X 1/4
32	B5305001	DRAIN VALVE INTERLOCK ASSEMBLY
33	A7028501-C	RETURN HANDLE BRACKET
34	P0007300	SCREW 8 - 32 1/4 HEX
35	PP10687	SCREW 10 - 24 X 5/16
36	A8036801-C	HI-LIMIT BRACKET FBG
37	PP10084	HI-LIMIT LCHMO5030
38	B6745502	HI-LIMIT WIRING 24VAC FBG
39	A6050401	HI-LIMIT LABEL (REFERENCE LABEL SHEET A6064801)
40	P0075400	SCREW 10-24 X 1/2 SELF TAP
41	A8036601-C	BURNER BRACKET FRONT FBG18
	A8036603-C	BURNER BRACKET REAR FBG24
42	A3347802-C	TANK JACKET AIR PLATE FRONT FBG
43	B3326601	TANK JACKET SIDE WELDMENT LEFT-HAND FBG
44	B3326602	TANK JACKET SIDE WELDMENT RIGHT-HAND FBG
45	A3345301-C	TANK JACKET BOTTOM FBG18
	A3345303-C	TANK JACKET BOTTOM FBG24

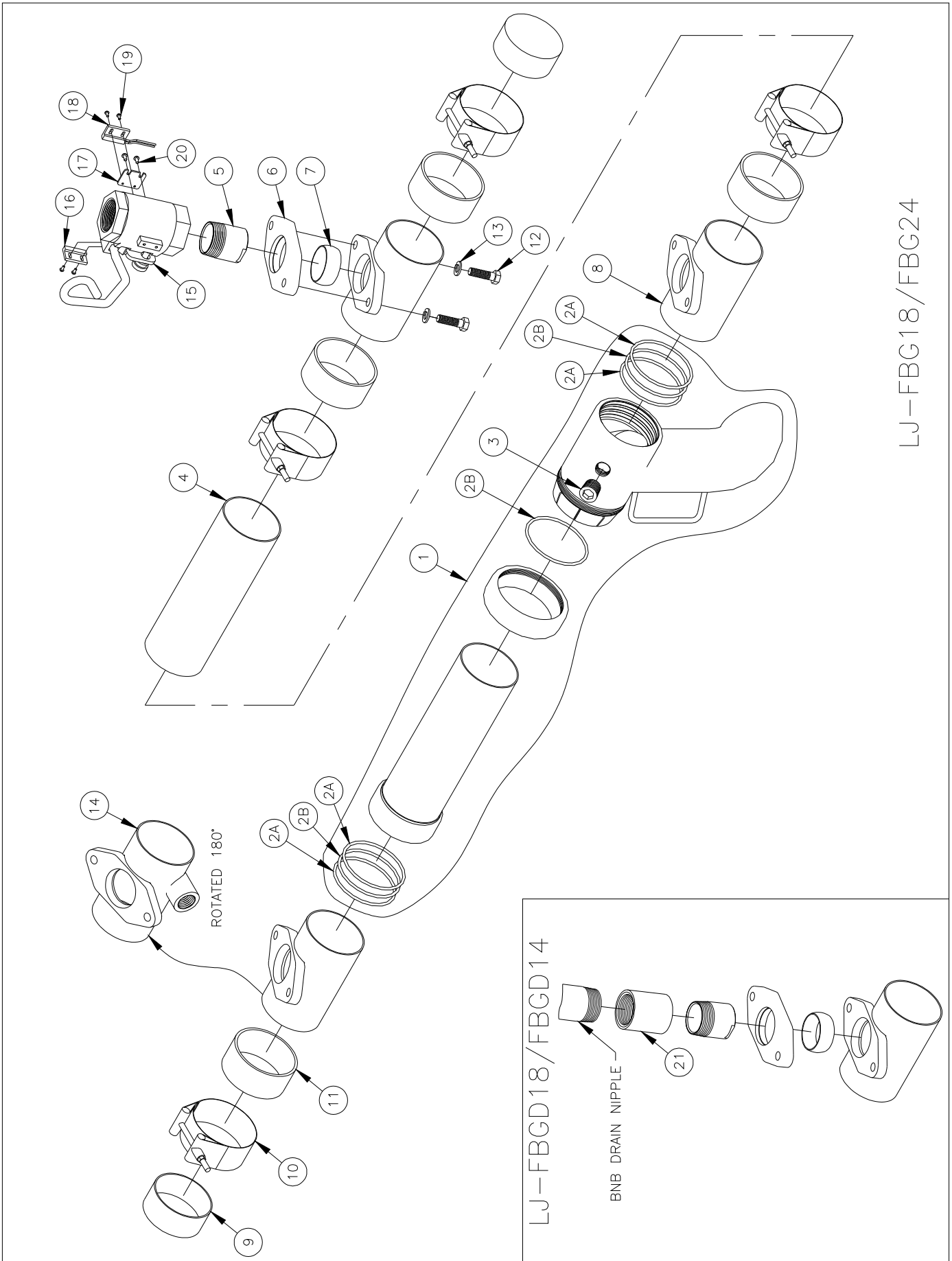
Tank Jacket Internal Drawing C



Drain Line Drawing D Parts List

ITEM#	PART#	PART DESCRIPTION
1	B6670404	FILTER DRAIN LINE DOWN SPOUT FBG18/18 OR FBG18/FBGD18
	B6670405	FILTER DRAIN LINE DOWN SPOUT FBG18/24
	B6670406	FILTER DRAIN LINE DOWN SPOUT FBG24/24
2A	60068303	O-RING TEFLON 3 X 3.25OD (WHITE)
2B	60068302	O-RING VITON 3 X 3.25OD (BLACK)
3	60137501	STEEL PLUG 1/2 NPT INTERNAL HEX
4	A7022421	DRAIN LINE TUBE FBG18/18 OR FBG18/FBGD18
	A7022423	DRAIN LINE TUBE FBG18/24 OR FBGD18/FBG24
	A7022425	DRAIN LINE TUBE FBG24/24
	A7022427	DRAIN LINE TUBE FBG24/SG18
	A7022429	DRAIN LINE TUBE SG18/FBG24
	A7022431	DRAIN LINE TUBE FBG18/SG18
	A7022433	DRAIN LINE TUBE SG18/FBG18
	A7022435	DRAIN LINE TUBE FBG24/SG14 OR SG14/FBG24 OR FBG24/FBGD14
	A7022437	DRAIN LINE TUBE FBG18/SG14 OR SG14/FBG18 OR FBG24/SG14T OR SG14T/FBG24
A7022439	DRAIN LINE TUBE FBG18/SG14T OR SG14T/FBG18	
5	A7021701	FILTER NIPPLE ADAPTER
6	A7022201	FILTER DRAIN FLANGE
7	A7022101	FILTER DRAIN SEAL FERRULE
8	B6665201	FILTER DRAIN TEE
9	B6679501	FILTER DRAIN LINE CAP
10	60127702	BAND CLAMP QUICK RELEASE
11	60059302	FILTER DRAIN LINE GASKET
12	60088002	BOLT 3/8 - 16 X 1 1/4 HEX
13	P0082700	LOCK SPLIT WASHER 3/8
14	B6683001	FILTER POLISHING DRAIN TEE
15	60144901	DRAIN VALVE 1 1/4 NPT WITH HANDLE NON LOCKING
	60144903	DRAIN HANDLE ONLY NON LOCKING
16	PP10263	PROXIMITY ACTUATOR SWITCH
17	A4021001-C	DRAIN VALVE INTERLOCK SENSOR PLATE
18	B5305003	DRAIN VALVE INTERLOCK SENSOR ASSEMBLY
19	PP10266	SCREW 4 - 40 X 1/4
20	PP10686	SCREW 6 - 32 X 1/4
21	P7036604	COUPLING 1 1/4 NPT

Drain Line Drawing D

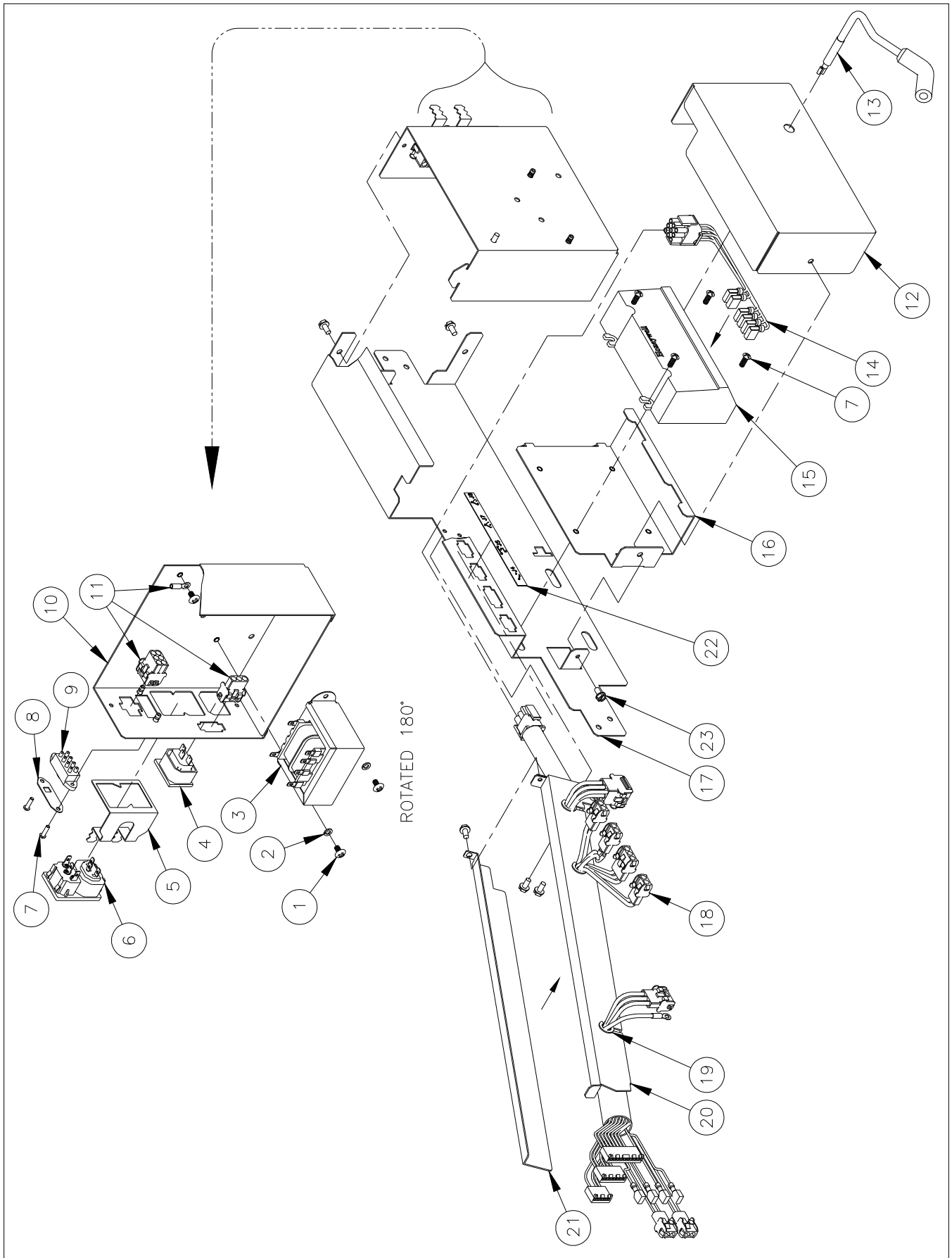


E) ENTRANCE BOX

Entrance Box Drawing E Parts List

ITEM#	PART#	PART DESCRIPTION
1	PP10686	SCREW 6 - 32 X 1/4
2	P0082400	LOCK WASHER #10
3	PP10429	TRANSFORMER 80VA 24V
4	PP11337	RECEPTACLE IEC-320 SNAP IN
5	A2965601-C	ENTRANCE BOX IEC-320 STRAIN RELIEF LEFT-HAND
6	60148401	ENTRANCE BOX IEC-320 POWER IN AND OUT
7	PP10689	SCREW 6 - 32 X 1/2
8	A2958102	ENTRANCE BOX SWITCH COVER 120V (SG)
9	B6744901	ENTRANCE BOX VOLTAGE SELECT WIRING 24V
10	A2958401-C	ENTRANCE BOX POWER SUPPLY BRACKET LEFT-HAND (SG)
11	B6748201	ENTRANCE BOX TRANSFORMER WIRING HARNESS (SG)
12	A2959201-C	ENTRANCE BOX IGNITION MODULE SPLASH SHIELD BRACKET LEFT-HAND
13	60126101	IGNITION WIRE ANGLED
14	B6744602	ENTRANCE BOX ELECTRONIC IGNITION WIRING HARNESS LEFT-HAND
15	60108601	IGNITION SPARK CONTROL
16	A2957901-C	ENTRANCE BOX IGNITION MODULE BRACKET (SG)
17	A2958001-C	ENTRANCE BOX SUPPORT BRACKET LEFT-HAND (SG)
18	B6759501	ENTRANCE BOX SPINAL TAP WIRING
19	60130401	BUSHING .512 DIA. HOLE
20	A2957801-C	ENTRANCE BOX OUTER WIRING COVER LEFT-HAND (SG)
21	A2958601-C	ENTRANCE BOX INNER WIRING COVER LEFT-HAND (SG)
22	A6084201	ENTRANCE BOX CONNECTOR IDENTIFIER LABEL
23	P0075400	SCREW 10 - 24 X 1/2 SELF TAP

Entrance Box Drawing E

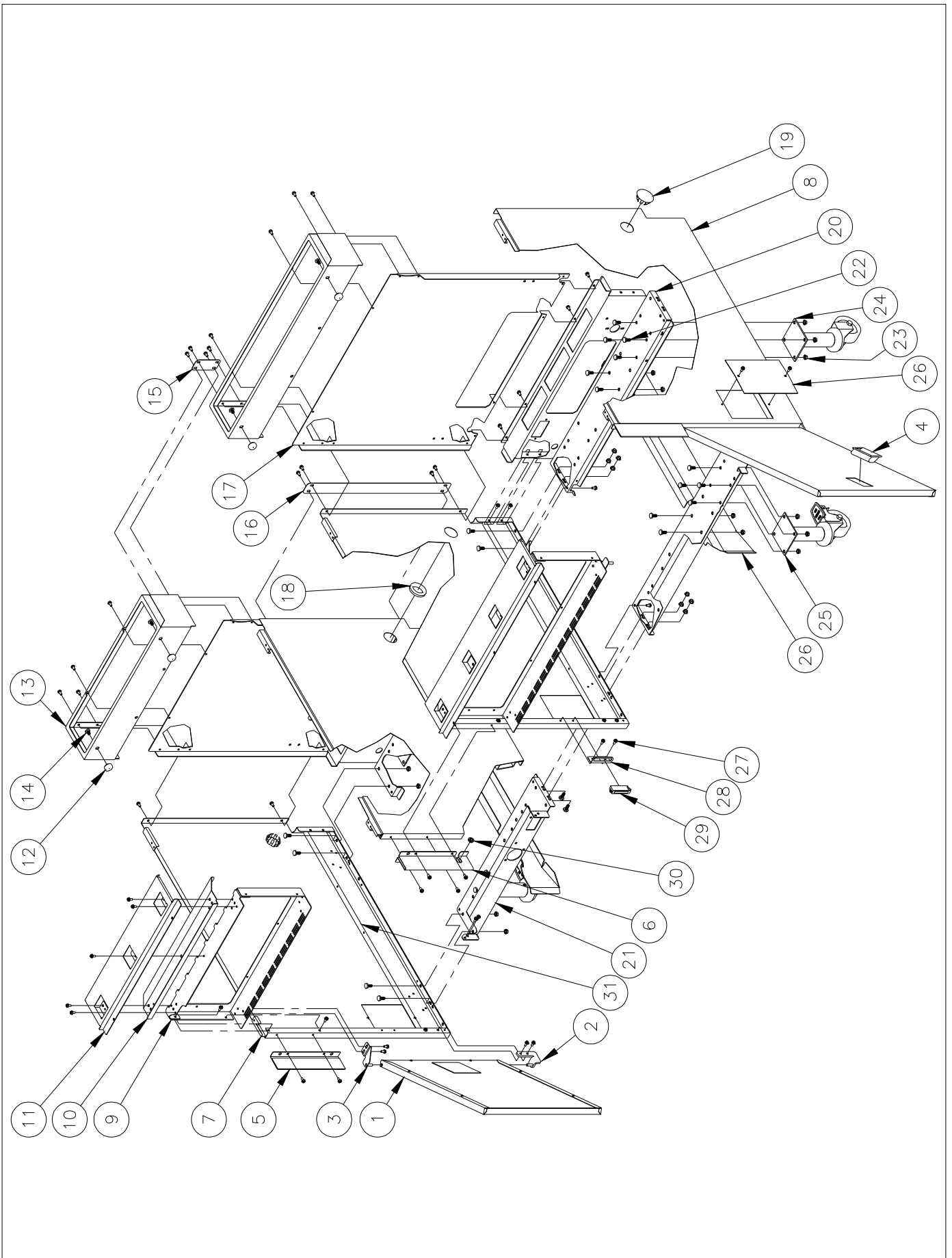


F) FRYER CABINET

Fryer Cabinet Drawing F Parts List

ITEM#	PART#	PART DESCRIPTION
1	B2304607-C	DOOR FBG18
	B2304608-C	DOOR FBG24
2	B3801802	HINGE RIGHT-HAND BOTTOM
	B3801801	HINGE LEFT-HAND BOTTOM (SHOWN)
3	B3802401	HINGE RIGHT-HAND TOP
	B3802402	HINGE LEFT-HAND TOP (SHOWN)
4	PP11006	DOOR HANDLE RECESSED
5	A3671102-C	FRONT PANEL END CAP LEFT-HAND/RIGHT-HAND
6	A3672502-C	FRONT PANEL MID CAP
7	A1511702-C	CABINET SIDE LEFT-HAND
8	A1511704-C	CABINET SIDE RIGHT-HAND
9	A1634001-C	CABINET SPACER FBG18
	A1634003-C	CABINET SPACER FBG24
10	A3674701-C	FRONT PANEL HEAT SHIELD FBG18
	A3674703-C	FRONT PANEL HEAT SHIELD FBG24
	A3667701-C	FRONT PANEL HEAT SHIELD SG14
	A3667703-C	FRONT PANEL HEAT SHIELD SG18
11	A3674602-C	FRONT PANEL TOP DECK INSERT FBG18 OR FBGD18
	A3674604-C	FRONT PANEL TOP DECK INSERT FBG24
	A3676102-C	FRONT PANEL TOP DECK INSERT SG14FBG OR FBGB14
	A3676104-C	FRONT PANEL TOP DECK INSERT SG18FBG
12	60132001	SPLASH BACK STUD
13	A4109202-C	SPLASH BACK FBG18
	A4109204-C	SPLASH BACK FBG24
14	60118201	BOLT 1/4 - 20 3/8 HEX FLANGE HEAD
15	A1844208-C	CABINET REAR JOINING STRIP UPPER
16	A1844206-C	CABINET REAR JOINING STRIP LOWER
17	A1633801-C	CABINET BACK FBG18
	A1633803-C	CABINET BACK FBG24
18	P6071220	GROMMET 1.25 ID
19	P6071498	HOLE PLUG 1 1/2
20	A1634401-C	CABINET BACK BOTTOM BRACE FBG18
	A1634403-C	CABINET BACK BOTTOM BRACE FBG24
21	A1235101-C	CABINET FRONT BOTTOM BRACE FBG18
	A1235103-C	CABINET FRONT BOTTOM BRACE FBG24
22	P0020600	BOLT 1/4 - 20
23	P0093000	NUT 1/4 - 20 KEP
24	PP10814	REAR CASTERS
25	PP10815	FRONT CASTERS (LOCKING)
26	B6663701	FILTER PAN GUIDE LEFT-HAND
	B6663702	FILTER PAN GUIDE RIGHT-HAND
27	P0075400	SCREW 10 - 24 1/2 SELF TAP
28	A1847002-C	MAGNET CATCH BRACKET
29	P6071300	MAGNET CATCH
30	60130401	BUSHING .512 DIA. HOLE
31	A1510601	CABINET SIDE SUPPORT

Fryer Cabinet Drawing F



G) RETURN LINE

Return Line Drawing G Parts List

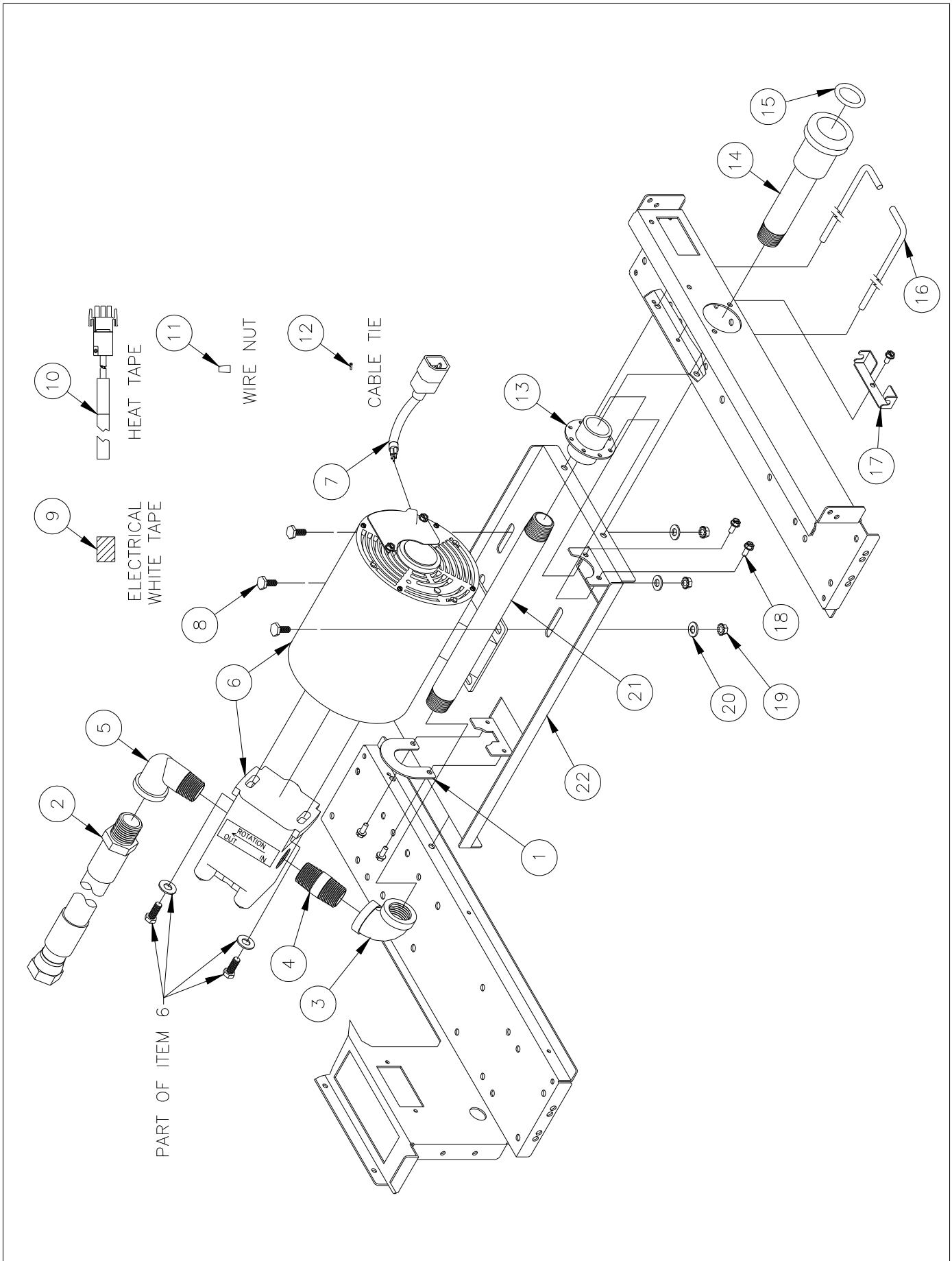
ITEM#	PART#	PART DESCRIPTION
1	A7031301-C	FILTER RETURN BRACKET UPPER FBG
2	60131801	FILTER RETURN VALVE 3 WAY
3	A7031701-C	FILTER RETURN BRACKET LOWER FBG
4	60130001	END CAP 15/16 FLARE
5	60129902	ADAPTER MALE 15/16 FLARE X MALE 1/2 NPT
6	P7037678	ELBOW 90 DEGREE 1/2 NPT BLACK IRON
7	P7037750	ELBOW 90 DEGREE STREET 1/2 NPT BLACK IRON
8	60130101	ADAPTER MALE 1/2 NPT X FEMALE 7/8 SWIVEL
9	60132201	TEFLON HOSE FEMALE 15/16 FEMALE FLARE X MALE 3/4 NPT
10	60129901	ADAPTER MALE 15/16 FLARE X MALE 3/4 NPT
11	P7037096	NIPPLE 1/2 NPT X 3 1/2 BLACK IRON
12	PP10574	BALL VALVE 1/2 STAINLESS APOLLO
13	P7037090	NIPPLE 1/2 NPT CLOSE
14	P7036013	REDUCER BUSHING MALE 3/4 NPT HEX X FEMALE 1/2 NPT
15	P0190200	COTTER PIN 1/16 X 3/4
16	P7036860	TEE 3/4 NPT
17	A8033803	ELBOW FEMALE 15/16 FLARE X MALE 3/4 NPT
18	A4026601-C	FILTER POLISHING REAR BRACKET LJ-FBG
19	P0082400	WASHER LOCK #10 SPLIT
20	60072101	SCREW 10 - 24 X 3/8 STAINLESS PHILLIPS
21	A4026702-C	FILTER POLISHING VALVE HANDLE BRACKET LJ-FBG
22	B4006101	FILTER POLISHING HANDLE LJ-FBG
23	PP10266	SCREW 4 - 40 X 1/4
24	PP10263	DRAIN VALVE INTERLOCK ACTUATOR
25	A4026501-C	FILTER POLISHING FRONT BRACKET LJ-FBG
26	B5305003	DRAIN VALVE INTERLOCK SENSOR ASSEMBLY
27	A7028601-C	FILTER RETURN FRONT BRACKET H.E.
28	60131901	WASHER SPRING 5/16
29	P0080750	WASHER FLAT 5/16
30	P0075400	SCREW 10 - 24 X 1/2 SELF TAP
31	A7028501-C	FILTER RETURN HANDLE BRACKET
32	B4005301	FILTER RETURN HANDLE
33	A8033001	TEE STEEL 3X MALE 15/16 FLARE
34	A7022801-C	FILTER RETURN BRACKET SGBNB REAR
35	A7022601-C	FILTER RETURN BRACKET SGBNB FRONT
36	60128001	FLEX TUBING W/FITTINGS 16" FBG18/18 OR FBG18/SG18 OR FBG24/D14
	60128009	FLEX TUBING W/FITTINGS 19" FBG24/18 OR FBG24/SG18 OR FBG24/D18 OR FBG18/SG14
	60128010	FLEX TUBING W/FITTINGS 22" FBG24/24
37	60133505	HEATER TAPE 48" 120V 30W
	60133506	HEATER TAPE 48" 240V 30W
38	PP10693	SCREW 10 - 24 X 3/8 TRUSS HEAD PHILLIPS
39	B6746301	FILTER RETURN JUMPER WIRING
40	A1844401-C	WIRE RETAINER

H) PUMP ASSEMBLY

Pump Assembly Drawing H Part List

ITEM#	PART#	PART DESCRIPTION
1	A7092201-C	FILTER PIPING CLIP
2	60132201	TEFLON HOSE 15/16 FEMALE SWIVEL X 3/4 NPT MALE
3	P9037679	ELBOW 90 DEGREE 3/4 NPT BLACK IRON
4	P7037355	NIPPLE 3/4 NPT X 2 BLACK IRON
5	P7037751	ELBOW 90 DEGREE STREET 3/4 NPT BLACK IRON
6	60143501	PUMP ASSEMBLY 8GPM 1/3HP
6A	60143505	PUMP MOTOR ONLY 115/230V
6B	60143507	PUMP ONLY 8GPM
6C	60143903	SEAL KIT 8GPM PUMP (60143501)
7	PP11338	PUMP POWER CORD 16-3AWG IEC-320 PLUG
8	PP11261	BOLT 5/16 X 3/4 HEX
9	PP10775	ELECTRICAL TAPE HEAT RESISTANT
10	60133503	HEATER TAPE 1/2 X 72 50W 120V
	60133504	HEATER TAPE 1/2 X 72 50W 240V
11	P5047670	WIRENUT YELLOW
12	P5045140	CABLE TIE 1/16 - 5/8
13	B6677001	FILTER INLET PIPING SUPPORT
14	B6676001	FILTER PICKUP BLOCK
15	60068301	O-RING VITON 1ID X 1 3/8OD
16	A7027902	FILTER PUMP PLATE ROD
17	A7028401-C	FILTER PUMP PLATE ROD BRACKET
18	P0075400	SCREW 10 - 24 X 1/2 SELF TAP
19	PP10828	KEP NUT HEX 5/16 - 18
20	P0080750	WASHER FLAT 5/16
21	60131306	NIPPLE 3/4 NPT X 11 BLACK IRON
22	A7029701-C	FILTER PUMP PLATE
23	B6678505-C	FILTER PUMP ASSEMBLY 120V
	B6678507-C	FILTER PUMP ASSEMBLY 230V
	B6678508-C	FILTER PUMP ASSEMBLY 240V

Pump Assembly Drawing H

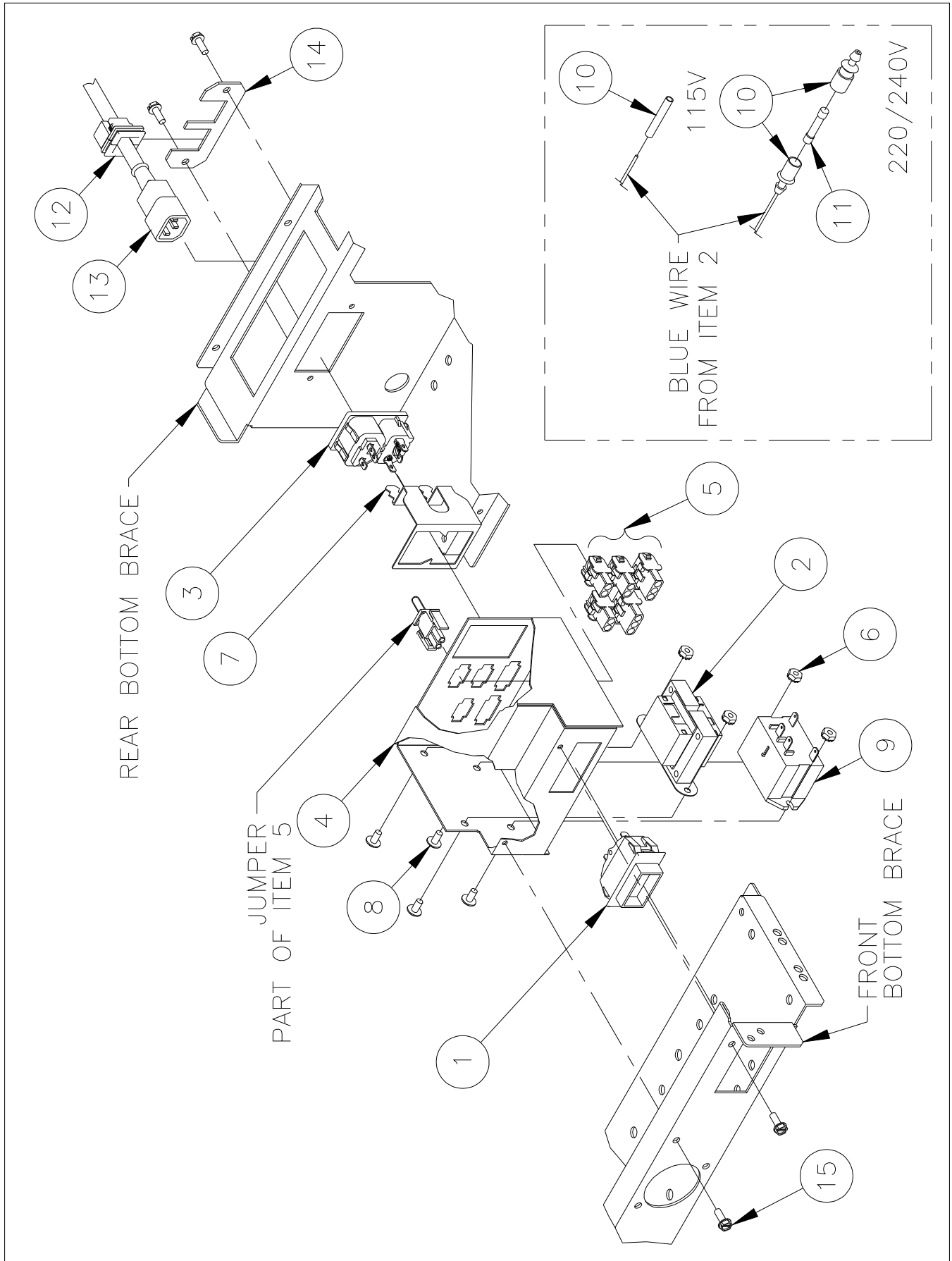


I) PUMP BOX

Pump Box Drawing I Parts List

ITEM#	PART#	PART DESCRIPTION
1	60077901	CIRCUIT BREAKER SPST 250V 10A (120V)
	60078502	CIRCUIT BREAKER DPST 250V 5A (220/240V)
2	60130301	TRANSFORMER 5VA (120V)
	60130302	TRANSFORMER 5VA (240V)
3	60130701	POWER INLET/OUTLET IEC320
4	A7030201-C	FILTER PUMP CONTROL BOX HOUSING
5	B6751601	FILTER PUMP CONTROL BOX WIRING
6	P0092300	NUT KEP 10 - 24
7	A7031903-C	FILTER PUMP CONTROL BOX IEC STRAIN RELIEF BRACKET
8	PP10693	SCREW 10 - 24 X 3/8
9	PP11058	RELAY SPST 30A 24V (120V)
	60104701	RELAY DPST 30A 24V (220/240V)
10	PP11228	BUTT SPLICE BLUE (120V)
	PP10765	FUSE HOLDER (220/240V)
11	60132701	CERAMIC FUSE .2A TD .25 X 1.25 (220/240V)
12	60130501	STRAIN RELIEF LAY IN
13	60128501	CORD NEMA 5 - 15P/IEC 320 16-3AWG
14	A1844001-C	CORD RETAINER
15	P0075400	SCREW 10 - 24 X 1/2 SELF TAP
16	B6673006-C	FILTER PUMP CONTROL BOX ASSEMBLY (120V)
	B6673007-C	FILTER PUMP CONTROL BOX ASSEMBLY (220/240V)

Pump Box Drawing I

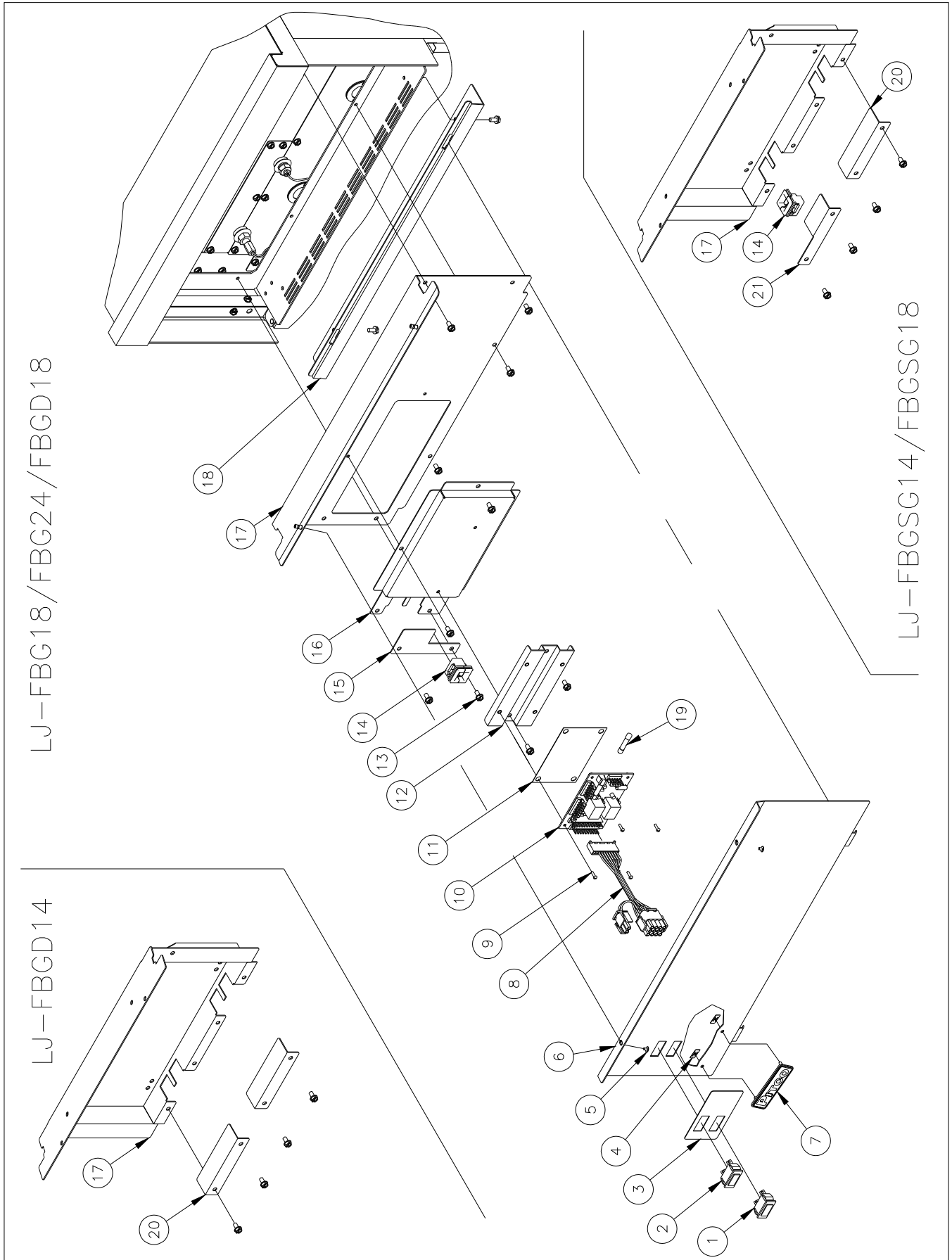


J) CONTROL BOX/FRONT PANEL

Control Box/Front Panel Drawing J Parts List

ITEM#	PART#	PART DESCRIPTION
1	P5045042	LAMP RECTANGLE GREEN 28V
2	P5045044	LAMP RECTANGLE AMBER 28V
3	A6089401	FRONT PANEL OVERLAY LABEL FBG
4	P0091500	TINNERMAN #6
5	PP10690	SCREW 6 - 32 X 1/2
6	A3674802-C	FRONT PANEL BEZEL FBG18
	A3674804-C	FRONT PANEL BEZEL FBG24
	A3674806-C	FRONT PANEL BEZEL FBGD18
	A3674810-C	FRONT PANEL BEZEL FBGSG14
	A3674812-C	FRONT PANEL BEZEL FBGSG18
	A3674814-C	FRONT PANEL BEZEL FBGD14
7	P6094991	NAMEPLATE DIECAST
8	B6756301	FRONT PANEL RELAY BOARD WIRING
9	60066801	SCREW 4 - 40 X 3/8
10	60127301	FRONT PANEL RELAY BOARD 24V
11	60132601	FRONT PANEL RELAY BOARD INSULATION
12	A2036101	CONTROL BOX HEAT SHIELD FBG
13	P0075400	SCREW 10 - 24 1/2 SELF TAP
14	60130501	STRAIN RELIEF
15	A2035701-C	CONTROL BOX CABLE RETAINER FBG
16	A2036201-C	CONTROL BOX STANDOFF FBG18
	A2036203-C	CONTROL BOX STANDOFF FBG24
17	A2036301-C	CONTROL BOX FBG18/FBGD18
	A2036303-C	CONTROL BOX FBG24
	A2034201-C	CONTROL BOX FBGD14/FBGSG14
	A2034301-C	CONTROL BOX FBGSG18
	A3674902-C	FRONT PANEL BOTTOM FBG18
18	A3674904-C	FRONT PANEL BOTTOM FBG24
	A3667906-C	FRONT PANEL BOTTOM FBGSG14
	A3667904-C	FRONT PANEL BOTTOM FBGSG18
	19	60132703
20	A2034801-C	CONTROL BOX CABLE RETAINER (SG* W/OUT HARNESS)
21	A2034701-C	CONTROL BOX CABLE RETAINER (SG* W/HARNESS)
22	B3634301-C	FRONT PANEL BEZEL ASSEMBLY FBG18
	B3634302-C	FRONT PANEL BEZEL ASSEMBLY FBG24
	B3634305-C	FRONT PANEL BEZEL ASSEMBLY FBGSG14
	B3634306-C	FRONT PANEL BEZEL ASSEMBLY FBGSG18
	B3634307-C	FRONT PANEL BEZEL ASSEMBLY FBGD14

Control Box/Front Panel Drawing J

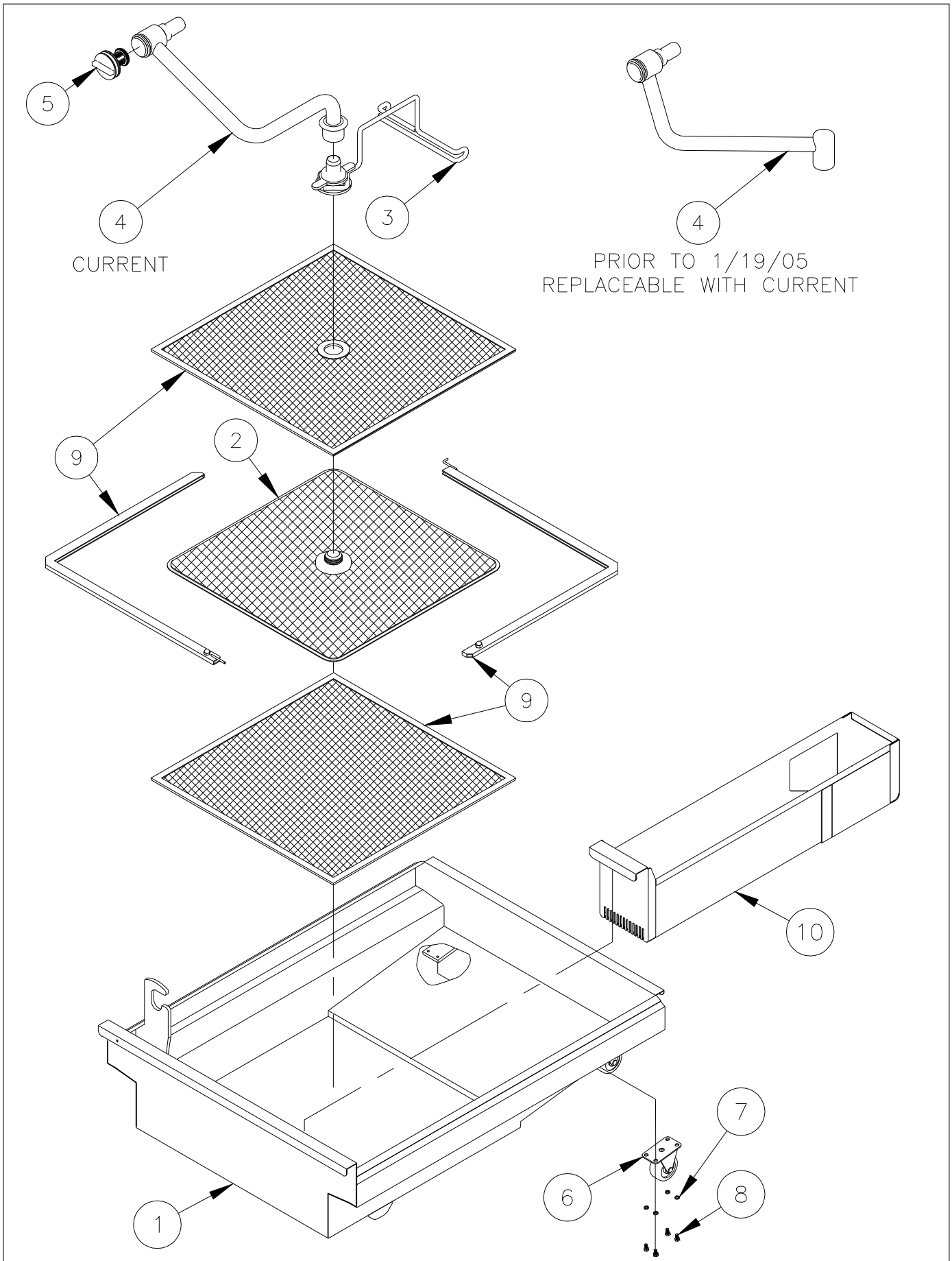


K) FILTER PAN

Filter Pan Drawing K Parts List

ITEM#	PART#	PART DESCRIPTION
1	B6674701	FILTER PAN SEFD/SG14RYUM
2	B6664004	FILTER SUPPORT FBG
3	B6681701	FILTER PAPERLESS CLIP FBG
4	B6674802	FILTER PICK UP TUBE
5	B6671202	FILTER STRAINER CAP (SFD)
6	60131401	CASTER RIGID 2.5"
7	PP11208	WASHER LOCK #10 SPLIT
8	P0011300	SCREW 10 - 24 X 3/8 HEX
9	B6629704	FILTER MESH ENVELOPE
10	B6682001	FILTER CRUMB CATCH FBG
11	B6664109	FILTER PAN PAPERLESS ASSEMBLY FBG

Filter Pan Drawing K

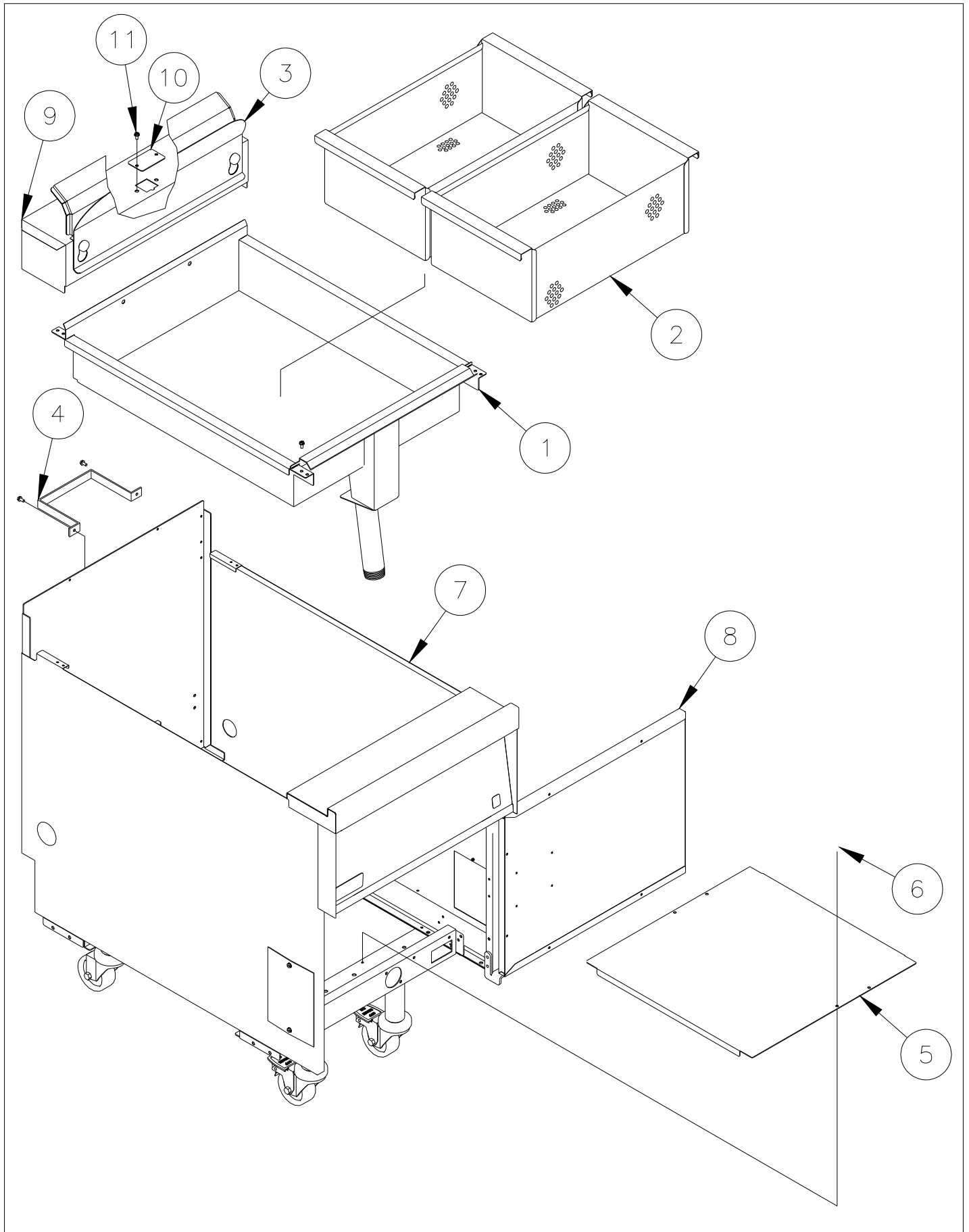


L) IN LINE CRUMB DUMP

In Line Crumb Dump Drawing L Parts List

ITEM#	PART#	PART DESCRIPTION
1	B5804601-C	BNB PAN LJ-FBGD18
	B5804605-C	BNB PAN LJ-FBGD14
2	B5804701-C	BNB PAN LINER LJ-FBGD18
	B5804702-C	BNB PAN LINER LJ-FBGD14
3	B4103801-C	FLUE SHIELD LOW HOOD LJ-FBGD18
	B4103803-C	FLUE SHIELD LOW HOOD LJ-FBGD14
4	A1850302-C	CABINET SPACER LJ-FBG
5	A5824107-C	BNB BOTTOM SHELF LJ-FBGD18
	A5824101-C	BNB BOTTOM SHELF LJ-FBGD14
6	P0075400	SCREW 10 - 24 X 1/2 SELF TAP
7	B1825001-C	CABINET LJ-FBGD18
	B1822719-C	CABINET LJ-FBGD14
8	B2304607-C	DOOR ASSEMBLY LJ-FBGD-18
	B2304101-C	DOOR ASSEMBLY LJ-FBGD-14
9	A4109106-C	SPLASH BACK LJ-FBGD18
	A4109110-C	SPLASH BACK LJ-FBGD14
10	A5811004-C	BNB HEAT LAMP COVER PLATE
11	60125801	SCREW 10-24 X 3/8 TH SLOT

In Line Crumb Dump Drawing L



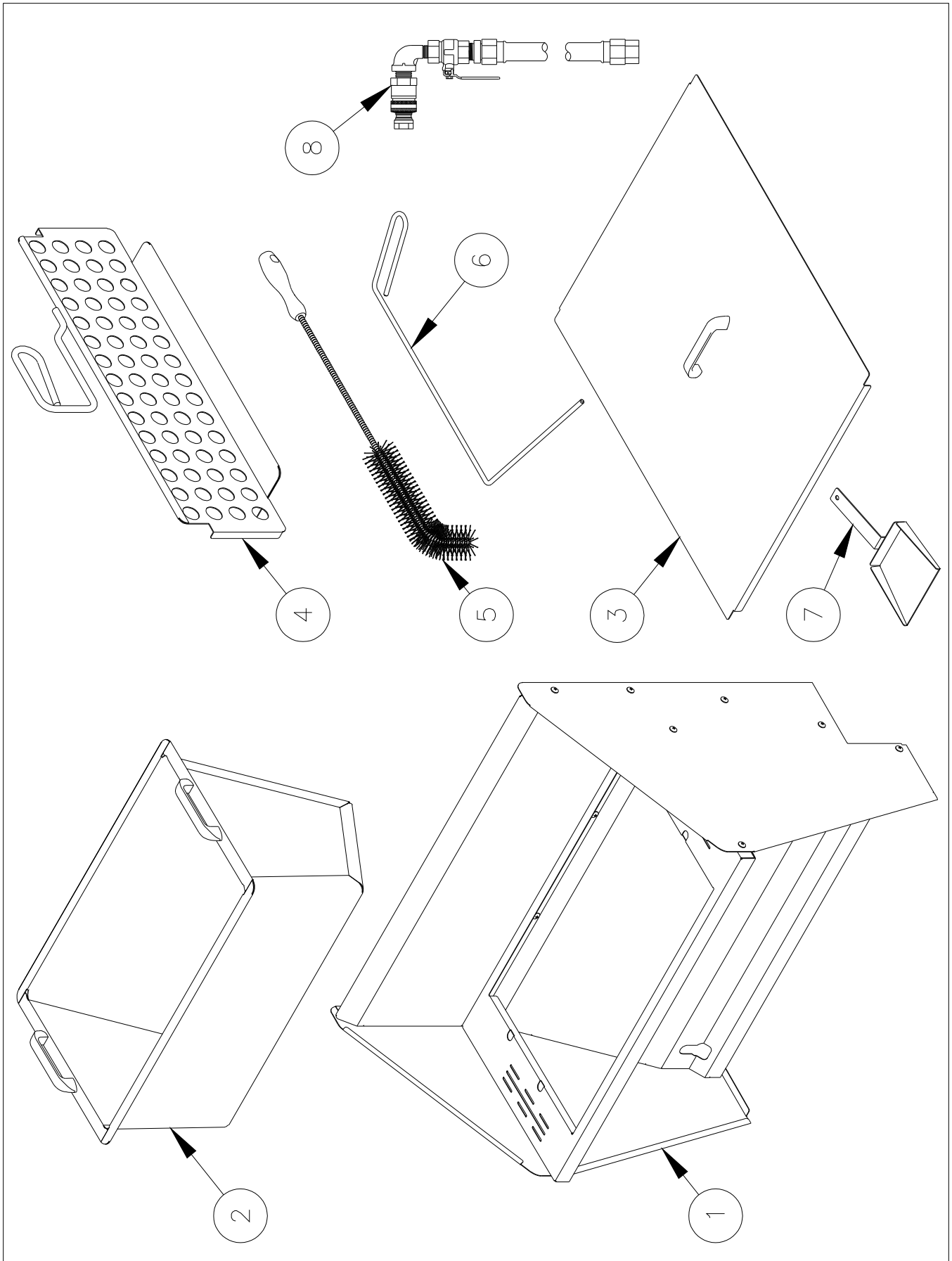


M) ACCESSORIES

Accessories Drawing M Parts List

ITEM#	PART#	PART DESCRIPTION
1	B4604501-C	CRUMB DUMP WORK SHELF
2	B4604401-C	CRUMB DUMP WORK SHELF BASKET
3	B2101510-C	TANK COVER FBG18
	B2101511-C	TANK COVER FBG24
4	B3327401	TANK DIVIDER FBG
5	PP10056	CLEANING BRUSH
6	A3305701	CLEANING ROD
7	B6681201	FILTER CRUMB SCOOP
8	B8003106	GAS HOSE QUICK DISCONNECT WITH VALVE 1 NPT X 48"
	B8003109	GAS HOSE QUICK DISCONNECT WITH VALVE 1-1/4 NPT X 48"

Accessories Drawing M





In the event of problems with or questions about your order, please contact the Pitco Frialator factory at

(800) 258-3708 US and Canada only

(603) 225-6684 World Wide

www.pitco.com

In the event of problems with or questions about your equipment, please contact the Pitco Frialator Authorized Service and Parts representative (ASAP) covering your area, or contact Pitco at the numbers listed to the left.

MAILING ADDRESS – P.O. BOX 501, CONCORD, NH 03302-0501
SHIPPING ADDRESS – 10 FERRY ST., CONCORD, NH 03301