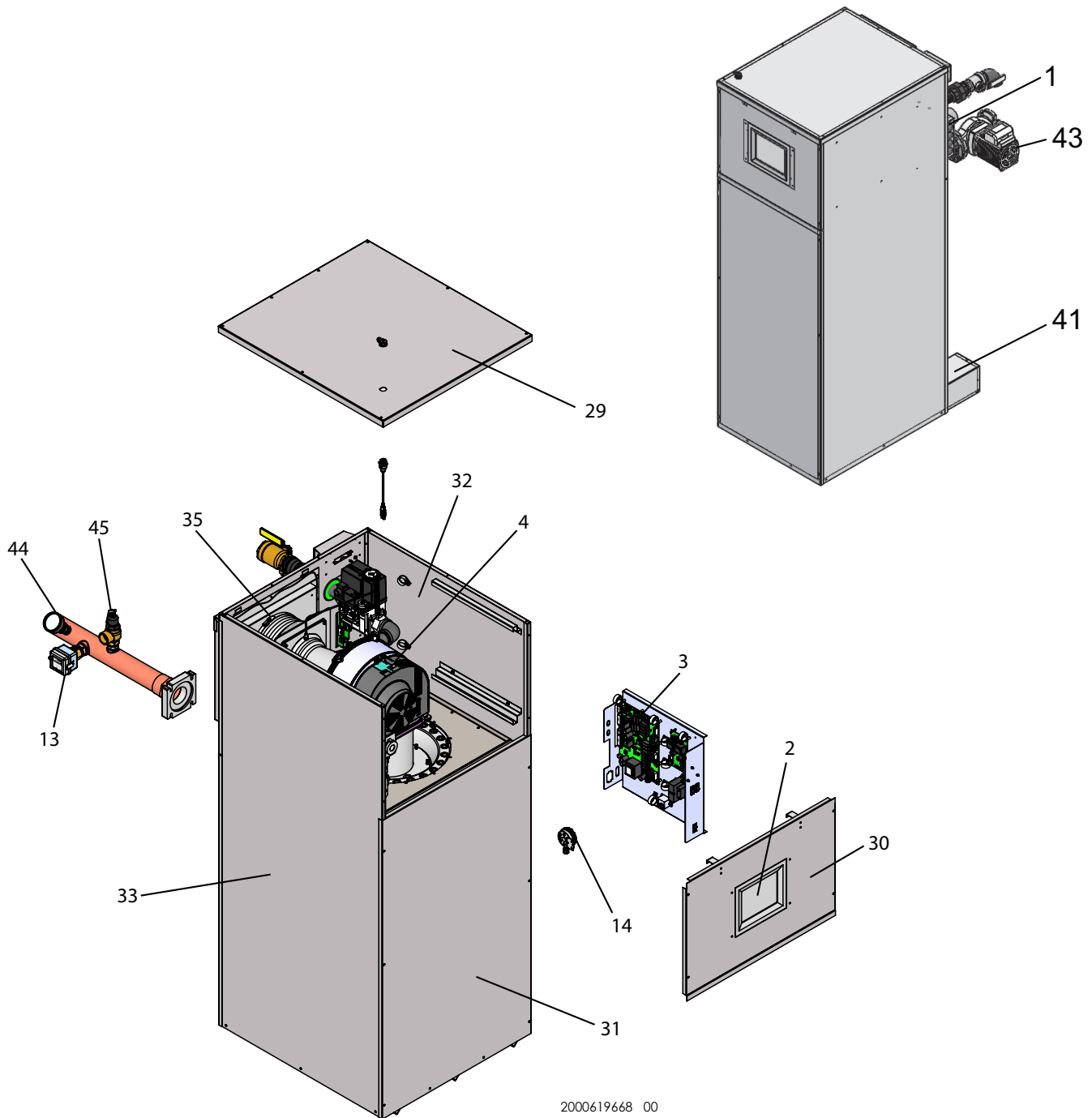




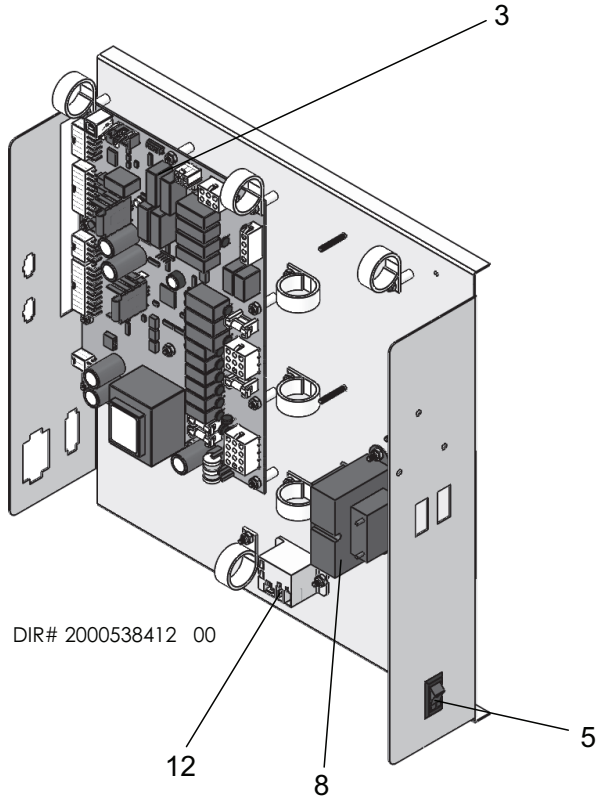
PARTS & SERVICE DEPARTMENT
 Nashville, Tennessee
 877-554-5544 • Fax: 615-882-2918
 parts_team@lochinvar.com
 www.Lochinvar.com

Replacement Parts List

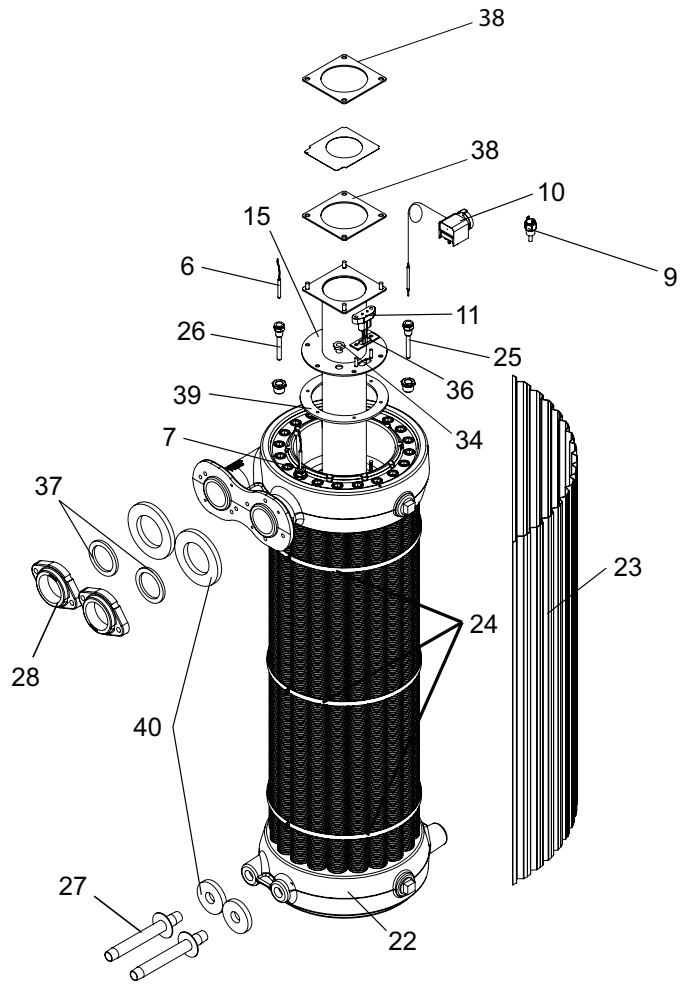
Power-Fin®
 Heating Boilers
PB/PF 502 thru 1302
 Beginning Serial Number: 1707104971206



CONTROL PANEL ASSEMBLY

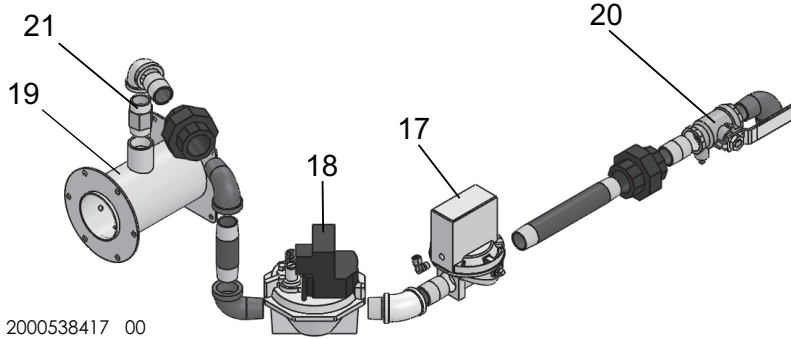


HEAT EXCHANGER ASSEMBLY

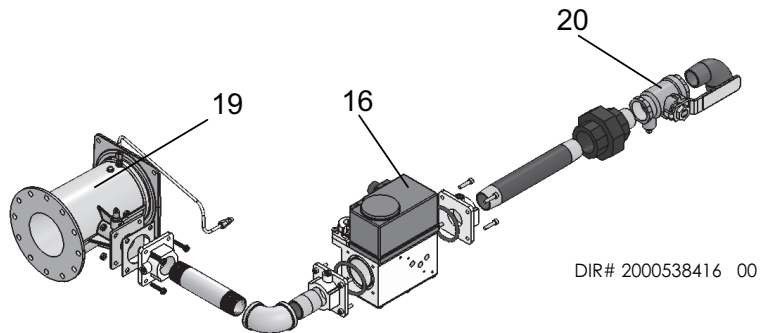


GAS TRAIN ASSEMBLIES

F9



M9



ITEM NO.	PART NO.	DESCRIPTION	MODEL NO.
CONTROLS			
1	100274823	LOW VOLTAGE CONNECTION BOARD, 1 - 16	ALL
1	100208481	LOW VOLTAGE CONNECTION BOARD, 17 - 40	ALL
2	100311038	DISPLAY INTERFACE ASSEMBLY	ALL
-	100311232	GASKET, USER INTERFACE DISPLAY	ALL
3	100293702*	MAIN CONTROL BOARD	ALL
4	100145023	COMBUSTION AIR FAN	ALL
5	100208242	ON / OFF SWITCH W/ I-O SYMBOL	ALL
6	100208552*	INLET SENSOR	ALL
7	100208557*	OUTLET SENSOR	ALL
8	100208230	TRANSFORMER, 24V, 40VA	ALL
9	100208173	THERMOSTAT, HIGH LIMIT, 200 DEGREE	PF
10	100208179	HIGH LIMIT W/ MANUAL RESET, 110-230 DEG.	ALL
11	100165937*	IGNITOR, HOT SURFACE	ALL
12	100208509	RELAY, 20VAC, 60HZ	ALL
13	100208653*	FLOW SWITCH W/ PADDLE, INDOOR	ALL
14	100288428	PRESSURE SWITCH, 7.75" WATER COLUMN	502 - LP - F9
14	100208398	PRESSURE SWITCH, 7.05" WATER COLUMN	502 - NAT - F9
14	100276801	PRESSURE SWITCH, 6.20" WATER COLUMN	752 - LP - F9
14	100208399	PRESSURE SWITCH, 5.00" WATER COLUMN	752 - NAT - F9
14	100288429	PRESSURE SWITCH, 3.90" WATER COLUMN	1002 - LP - F9
14	100208400	PRESSURE SWITCH, 3.20" WATER COLUMN	1002 - NAT - F9
14	100288430	PRESSURE SWITCH, 0.75" WATER COLUMN	1302-F9
14	100208376	PRESSURE SWITCH, 4.1" WATER COLUMN	502 - LP - M9
14	100208379	PRESSURE SWITCH, 0.95" WATER COLUMN	502 NAT & 752-1302-M9 NAT/LP
GAS TRAIN ASSEMBLIES			
15	100135326	BURNER ASSEMBLY	502
15	100135327	BURNER ASSEMBLY	752
15	100135328	BURNER ASSEMBLY	1002
15	100135329	BURNER ASSEMBLY	1302
16	100172027	GAS VALVE, NATURAL	502-M9 NAT
16	100172028	GAS VALVE, NATURAL	752-M9 NAT
16	100172029	GAS VALVE, NATURAL	1002-M9 NAT
16	100172030	GAS VALVE, NATURAL	1302-M9 NAT
16	100171935	GAS VALVE, LP	502-M9 LP
16	100171936	GAS VALVE, LP	752-M9 LP
16	100171937	GAS VALVE, LP	1002-M9 LP
16	100171938	GAS VALVE, LP	1302-M9 LP
17	100288502	DIAPHRAGM, GAS VALVE, 1"	502-F9 NAT & LP
17	100288503	DIAPHRAGM, GAS VALVE, 1-1/4"	752-1002-1302 - NAT & LP - F9
18	100288504	GAS VALVE, MAIN, 1", NATURAL, F9	502- NAT - F9
18	100209812	GAS VALVE, MAIN, 1", LP, F9	502 - LP - F9
18	100288506	GAS VALVE, MAIN, 1-1/4", NATURAL, F9	752-1002-1302 - NAT - F9
18	100288533	GAS VALVE, MAIN, 1-1/4", LP, F9	752-1002-1302 - LP - F9
19	100288547	VENTURI ASSEMBLY	502-M9
19	100288548	VENTURI ASSEMBLY	752-1002-M9
19	100288532	VENTURI ASSEMBLY	1302-M9
19	100290421	VENTURI ASSEMBLY	ALL F9
20	100288546	GAS CUT OFF VALVE 1"	ALL 502
20	100294593	1-1/4" GAS SHUT-OFF VALVE W/ TAP	752-1002-F9 & 752-1002-1302-M9
21	100288413	ORIFICE, BURNER	502 - NAT - F9
21	100288414	ORIFICE, BURNER	752 - NAT - F9
21	100288415	ORIFICE, BURNER	1002 - NAT - F9
21	100288417	ORIFICE, BURNER	1302 - NAT - F9
21	100288418	ORIFICE, BURNER	502 - LP- F9
21	100288420	ORIFICE, BURNER	752 - LP - F9
21	100288421	ORIFICE, BURNER	1002 - LP - F9
21	100288422	ORIFICE, BURNER	1302 - LP -F9
HEAT EXCHANGER ASSEMBLIES			
22	100147510	HEAT EXCHANGER, HLW STAMP, 500MBH	PF 502

PLEASE HAVE MODEL NUMBER AND SERIAL NUMBER WHEN ORDERING PARTS

*ITEMS DENOTE SUGGESTED INVENTORY PARTS

ITEM NO.	PART NO.	DESCRIPTION	MODEL NO.
HEAT EXCHANGER ASSEMBLIES (CONTINUED)			
22	100147514	HEAT EXCHANGER, HLW STAMP, 500MBH, CUPRO	PF 502
22	100147518	HEAT EXCHANGER, H STAMP, 500MBH	PB 502
22	100147522	HEAT EXCHANGER, H STAMP, 500MBH, CUPRO	PB 502
22	100147511	HEAT EXCHANGER, HLW STAMP, 750MBH	PF 752
22	100147515	HEAT EXCHANGER, HLW STAMP, 750MBH, CUPRO	PF 752
22	100147519	HEAT EXCHANGER, H STAMP, 750MBH	PB 752
22	100147523	HEAT EXCHANGER, H STAMP, 750MBH, CUPRO	PB 752
22	100147512	HEAT EXCHANGER, HLW STAMP, 1000MBH	PF 1002
22	100147516	HEAT EXCHANGER, HLW STAMP, 1000MBH, CUPRO	PF 1002
22	100147520	HEAT EXCHANGER, H STAMP, 1000MBH	PB 1002
22	100147524	HEAT EXCHANGER, H STAMP, 1000MBH, CUPRO	PB 1002
22	100147513	HEAT EXCHANGER, HLW STAMP, 1300MBH	PF 1302
22	100147517	HEAT EXCHANGER, HLW STAMP, 1300MBH, CUPRO	PF 1302
22	100147521	HEAT EXCHANGER, H STAMP, 1300MBH	PB 1302
22	100147525	HEAT EXCHANGER, H STAMP, 1300MBH, CUPRO	PB 1302
23	100153830	V BAFFLE (20 REQ.)	502
23	100153831	V BAFFLE (20 REQ.)	752
23	100208235	V BAFFLE (20 REQ.)	1002
23	100290393	V BAFFLE (20 REQ.)	1302
24	100163266	V BAFFLE STRAP	ALL
25	100233613 *	HIGH LIMIT THERMOSTAT BULB WELL, 3/8 NPT	ALL
26	100233695 *	HIGH LIMIT THERMOSTAT BULB WELL, 3/8 NPT	ALL
27	100294597	DRAIN PIPE ASSEMBLY	PB
27	100294598	DRAIN PIPE ASSEMBLY	PF
28	100288538	HEAT EXCHANGER FLANGE	ALL
JACKET/DOOR ASSEMBLIES			
29	100272259	JACKET TOP	ALL
30	100272283	JACKET, OUTER FRONT UPPER	ALL
31	100272290	JACKET, OUTER FRONT LOWER	502
31	100274702	JACKET, OUTER FRONT LOWER	752
31	100274875	JACKET, OUTER FRONT LOWER	1002
31	100274953	JACKET, OUTER FRONT LOWER	1302
32	100272281	JACKET, OUTER RIGHT	502
32	100274690	JACKET, OUTER RIGHT	752
32	100274853	JACKET, OUTER RIGHT	1002
32	100274935	JACKET, OUTER RIGHT	1302
33	100272260	JACKET, OUTER LEFT	502
33	100274689	JACKET, OUTER LEFT	752
33	100274873	JACKET, OUTER LEFT	1002
33	100274936	JACKET, OUTER LEFT	1302
MISCELLANEOUS			
34	100208332	SIGHT GLASS, BURNER	ALL
35	100208064 *	AIR FILTER, 1" X 16" X 12"	ALL
36	100208087	GASKET, IGNITOR	ALL
37	100233690	GASKET, FLANGE	ALL
38	100208089 *	GASKET, FAN / VENTURI	ALL
39	100208096 *	HEX GASKET, BURNER	ALL
40	100208109	HEX GASKET, DIVIDER PANEL	ALL
41	100343868 *	CONDENSATE TRAP	ALL
42	100170647 *	SENSOR, FLUE	ALL
43	100166433	PUMP ASSEMBLY FOR WATER HEATER, STANDARD, 2/5HP, 2-1/2" FLG, BRZ	ALL PF
43	100287831	PUMP ASSEMBLY FOR WATER HEATER, UPSIZED, 1-1/2 HP, 2" FLG, BRZ	ALL PF
43	100166406	PUMP ASSEMBLY FOR BOILER, 1/2 HP, 2" FLG, CAST (OPTIONAL)	ALL PB
44	100208152 *	GAUGE TRIOMETER, 75 PSI	PB
45	100208442	PRESSURE RELIEF VALVE, 3/4", 50 PSI	PB 502-1002
45	100208448	PRESSURE RELIEF VALVE, 1" X 1-1/4", 50 PSI	PB 1302
45	100208444	T&P RELIEF VALVE, 3/4", 150 PSI	PF
-	100208666	LOW WATER CUT-OFF, MANUAL RESET (OPTIONAL) PRIOR TO H08H00211095	ALL
-	100173747	LOW WATER CUT-OFF, MANUAL RESET (OPTIONAL) BEGINNING H08H00211095	ALL
PLEASE HAVE MODEL NUMBER AND SERIAL NUMBER WHEN ORDERING PARTS			
*ITEMS DENOTE SUGGESTED INVENTORY PARTS			

ITEM NO.	PART NO.	DESCRIPTION	MODEL NO.
MISCELLANEOUS (CONTINUED)			
-	100208665	LOW WATER CUT-OFF, AUTO RESET (OPTIONAL) PRIOR TO H08H00211095	ALL
-	100173748	LOW WATER CUT-OFF, AUTO RESET (OPTIONAL) BEGINNING H08H00211095	ALL
-	100208662	LOW WATER CUT-OFF PROBE (OPTIONAL)	ALL
-	100277801	LOW WATER CUT-OFF BOOT (OPTIONAL)	ALL
-	100208231*	FUSE, 3.15A / 250V	ALL
-	100208232*	FUSE, 5A / 250V	ALL
-	100208809*	FUSE, 1.6A / 250V	ALL
-	100277822	GASKET, JACKET	ALL
-	100146588*	GASKET, PVC - 1/4" X 5/8" BLACK	ALL
-	100208834	KIT, OUTDOOR AIR RESET	ALL
-	100157739	KIT, ALARM ON ANY FAILURE WITH BELL	ALL
-	100157740	KIT, MANUAL RESET LOW WATER CUTOFF PRIOR TO H08H00211095	ALL
-	100157607	KIT, MANUAL RESET LOW WATER CUTOFF BEGINNING H08H00211095	ALL
PLEASE HAVE MODEL NUMBER AND SERIAL NUMBER WHEN ORDERING PARTS			
*ITEMS DENOTE SUGGESTED INVENTORY PARTS			

