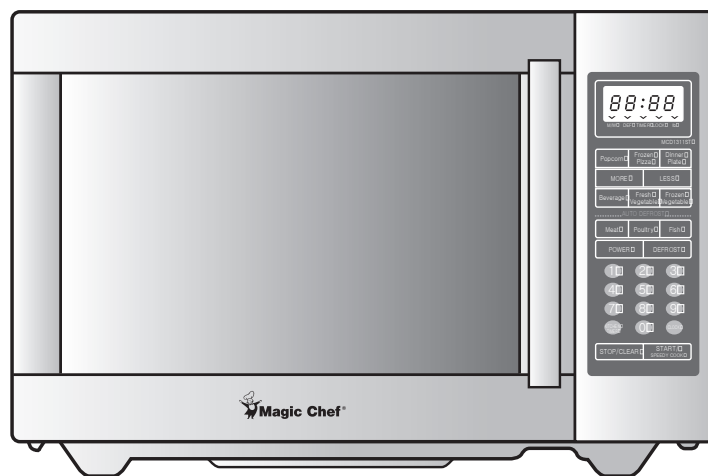




1.3 Cu. Ft. Countertop Microwave Oven

User's Manual



Model MCD1310ST

**PLEASE READ THIS MANUAL CAREFULLY BEFORE USING YOUR
MICROWAVE OVEN AND KEEP IT FOR FUTURE REFERENCE.**



Product Registration

Thank you for purchasing a Magic Chef product. The first step to protect your new product is to complete the product registration on our website: www.mcappliance.com/register. The benefits of registering your product include the following:

1. Registering your product will allow us to contact you regarding a safety notification or product update.
2. Registering your product will allow for more efficient warranty service processing when warranty service is required.
3. Registering your product could act as your proof of purchase in the event of insurance loss.

Once again, thank you for purchasing a Magic Chef product.

PRECAUTIONS TO AVOID POSSIBLE EXPOSURE TO EXCESSIVE MICROWAVE ENERGY

- (a) Do not attempt to operate this oven with the door open since open-door operation can result in harmful exposure to microwave energy. It is important not to defeat or tamper with the safety interlocks.
- (b) Do not place any object between the oven front face and the door or allow soil or cleaner residue to accumulate on sealing surfaces.
- (c) Do not operate the oven if it is damaged.
It is particularly important that the oven door close properly and that there is no damage to the: (1) door (bent), (2) hinges and latches (broken or loosened), (3) door seals and sealing surfaces.
- (d) The oven should not be adjusted or repaired by anyone except properly qualified service personnel.

TABLE OF CONTENTS

PRECAUTIONS	1
IMPORTANT SAFETY INSTRUCTIONS.....	2
FEDERAL COMMUNICATIONS COMMISSION RADIO FREQUENCY INTERFERENCE STATEMENT (U.S.A ONLY)	3
GROUNDING INSTRUCTIONS	3
INSTALLATION	4
SPECIFICATIONS	5
FEATURES DIAGRAM	6
OPERATION PROCEDURE	8
CONTROLS	9
SETTING THE CLOCK	9
TIME DEFROSTING	9
WEIGHT DEFROSTING	10
COOKING IN ONE STAGE	11
COOKING IN TWO STAGES	11
KITCHEN TIMER MODE	12
SPEEDY COOK	13
ONE TOUCH COOKING	13
LESS, MORE	15
CHILD SAFETY LOCK	15
TO STOP THE OVEN WHILE THE OVEN IS OPERATING	15
UTENSIL TEST	16
COOKING UTENSILS	16
COOKING TECHNIQUES	17
DEFROSTING GUIDE.....	18
DEFROSTING CHART.....	19
COOKING CHART	20
REHEATING CHART	21
CARE OF YOUR MICROWAVE OVEN.....	23
USE YOUR MICROWAVE OVEN SAFELY	24
QUESTIONS AND ANSWERS	25
WEIGHT & MEASURE CONVERSION CHART	26
BEFORE YOU CALL FOR SERVICE	26

IMPORTANT SAFETY INSTRUCTIONS

When using electrical appliances, basic safety precautions should be followed, including the following:

WARNING-To reduce the risk of burns, electric shock, fire, injury to persons or exposure to excessive microwave energy:

1. Read all instructions before using the appliance.
2. Read and follow the specific "PRECAUTIONS TO AVOID POSSIBLE EXPOSURE TO EXCESSIVE MICROWAVE ENERGY" found on page 1.
3. This appliance must be grounded. Connect only to properly grounded outlet. See "GROUNDING INSTRUCTIONS" found on page 3.
4. Install or locate this appliance only in accordance with the provided installation instructions.
5. Some products such as whole eggs and sealed containers - for example, closed glass jars-are able to explode and should not be heated in this oven.
6. Use this appliance only for its intended use as described in this manual. Do not use corrosive chemicals or vapors in this appliance. This type of oven is specifically designed to heat, cook, or dry food. It is not designed for industrial or laboratory use.
7. As with any appliance, close supervision is necessary when used by children.
8. Do not operate this appliance if it has a damaged cord or plug, if it is not working properly, or if it has been damaged or dropped.
9. This appliance should be serviced only by qualified service personnel. Contact nearest authorized service facility for examination, repair or adjustment.
10. Do not cover or block any openings on the appliance.
11. Do not store this appliance outdoors. Do not use this product near water — for example, near a kitchen sink, in a wet basement, or near a swimming pool, or similar locations.
12. Do not immerse cord or plug in water.
13. Keep cord away from heated surfaces.
14. Do not let cord hang over edge of table or counter.
15. Either:
 - a) When cleaning surfaces of door and oven that comes together on closing the door, use only mild, non-abrasive soaps or detergents applied with a sponge or soft cloth , or
 - b) When separate cleaning instructions are provided, See door surface cleaning instructions on.
16. To reduce the risk of fire in the oven cavity:
 - a) Do not overcook food. Carefully attend appliance when paper, plastic, or other combustible materials are placed inside the oven to facilitate cooking.
 - b) Remove wire twist-ties from paper or plastic bags before placing bag in oven.
 - c) If materials inside the oven ignite, keep oven door closed, turn oven off, and disconnect the power cord, or shut off power at the fuse or circuit breaker panel.
 - d) Do not use the cavity for storage purposes. Do not leave paper products, cooking utensils, or food in the cavity when not in use.
17. Do not use this microwave oven to heat corrosive chemicals (for example, sulfides and chlorides). Vapours from such corrosive chemicals may interact with the contact and springs of the safety interlock switches thereby rendering them inoperable.
18. Keep the waveguide cover clean at all times. Wipe the oven interior with a soft damp cloth after each use. If you leave grease or fat anywhere in the cavity it may overheat, smoke or even catch fire when next using the oven.
19. Never heat oil or fat for deep frying as you cannot control the temperature and doing so may lead to overheating and fire.
20. Liquids, such as water, coffee, or tea are able to be overheated beyond the boiling point without appearing to be boiling due to surface tension of the liquid. Visible bubbling or boiling when the container is removed from the microwave oven is not always present. **THIS COULD RESULT IN VERY HOT LIQUIDS SUDDENLY BOILING OVER WHEN A SPOON OR OTHER UTENSIL IS INSERTED INTO THE LIQUID.** To reduce the risk of injury to persons:
 - ① Do not overheat the liquid.
 - ② Stir the liquid both before and halfway through heating it
 - ③ Do not use straight-sided containers with narrow necks.
 - ④ After heating, allow the container to stand in the microwave oven for a short time before removing the container.
 - ⑤ Use extreme care when inserting a spoon or other utensil into the container.

SAVE THESE INSTRUCTIONS

FEDERAL COMMUNICATIONS COMMISSION RADIO FREQUENCY INTERFERENCE STATEMENT (U.S.A ONLY)

WARNING:

This equipment generates and uses ISM frequency energy and if not installed and used properly, that is in strict accordance with the manufacturer's instructions, may cause interference to radio and television reception.

It has been type-tested and found to comply with limits for an ISM equipment pursuant to part 18 of FCC rules, which are designed to provide reasonable protection against such interference in a residential installation.

However, there is no guarantee that interference will not occur in a particular installation.

If this equipment does cause interference to radio or television reception, which can be determined by turning the equipment off and on, the user is encouraged to try correct the interference by one or more of the followings.

- Reorient the receiving antenna of radio or television.
- Relocate the microwave oven with respect to the receiver.
- Move the microwave oven away from the receiver.
- Plug the microwave oven into a different outlet so that microwave oven and receiver are on different branch circuits.

THE MANUFACTURER is not responsible for any radio or TV interference caused by UNAUTHORIZED MODIFICATION to this microwave oven. It is the responsibility of the user to correct such interference.

GROUNDING INSTRUCTIONS

This appliance must be grounded. In the event of an electrical short circuit, grounding plug reduces the risk of electric shock by providing an escape wire for electric current. This appliance is equipped with a cord having a grounding wire with a grounding plug. The plug must be plugged into an outlet that is properly installed and grounded.

WARNING: Improper use of the grounding can result in a risk of electric shock.

Consult a qualified electrician or serviceman if the grounding instructions are not completely understood, or if doubt exists as to whether the appliance is properly grounded, and either:

- (1) If it is necessary to use an extension cord, use only a 3-wire extension cord that has a 3-blade grounding plug, and a 3-slot receptacle that will accept the plug on the appliance. The marked rating of the extension cord shall be equal to or greater than the electrical rating of the appliance, or
- (2) Do not use an extension cord, if the power supply cord is too short, have a qualified electrician or serviceman install an outlet near the appliance.

INSTALLATION

1 Examine the oven after unpacking.

Check for damage such as a misaligned door, broken door or dent in the cavity. If any damage is visible, DO NOT INSTALL, and notify your dealer immediately.

2 Level, flat location.

Install the microwave oven on a level, flat surface.

3 Ventilation

Do not block air vents. If they are blocked during operation, the oven may overheat and eventually cause a failure. For proper ventilation, allow 4 inches of space between oven top, sides, rear and adjacent surfaces.

4 Away from radio and TV sets

Poor television reception and radio interference may result if the oven is located close to a TV, radio, antenna, feeder, etc. Place the oven as far from them as possible.

5 Away from heating appliances and water taps

Keep the oven away from heat, steam or splashing liquids. These things can adversely affect oven wiring and contacts.

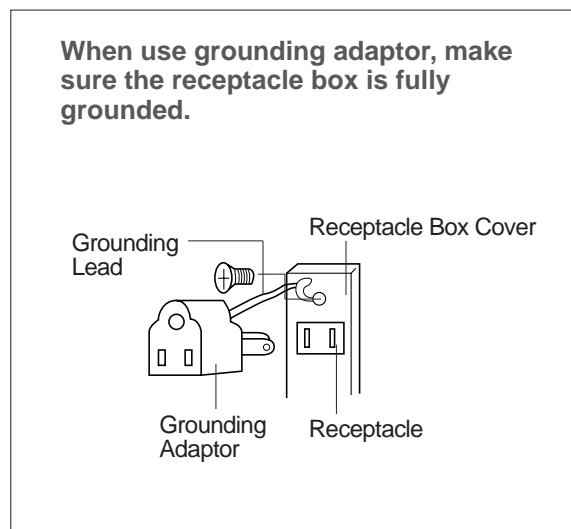
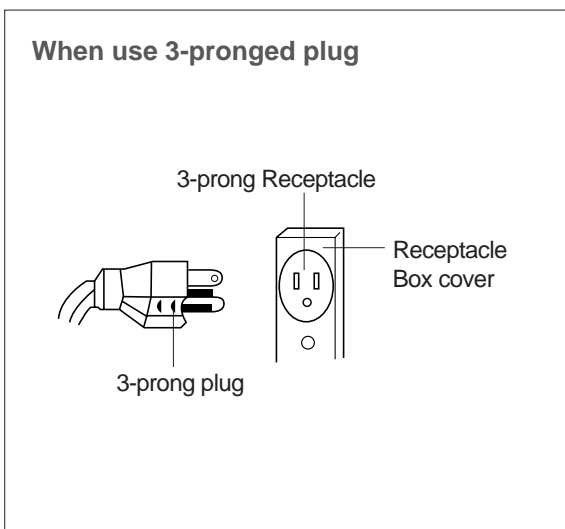
6 Power supply

This microwave oven requires a power supply of approximately 15 Amperes, 120 Volts, 60 Hz and a grounded outlet. A short power cord is provided to reduce the risk of the user becoming entangled in or tripping over a longer cord. Longer cord sets or extension cords are available and may be used if care is exercised in their use.

If an extension cord is used, the marked electrical rating of the cord should be at least as great as the electrical rating of the oven in their use.

The Extension cord must be a grounding-type 3-wire cord. The longer cord should be arranged so that it will not drape over the counter top or tabletop where it can be pulled on by children or tripped over unintentionally.

7 The minimum height of free space necessary above the top surface of the oven is 100mm.

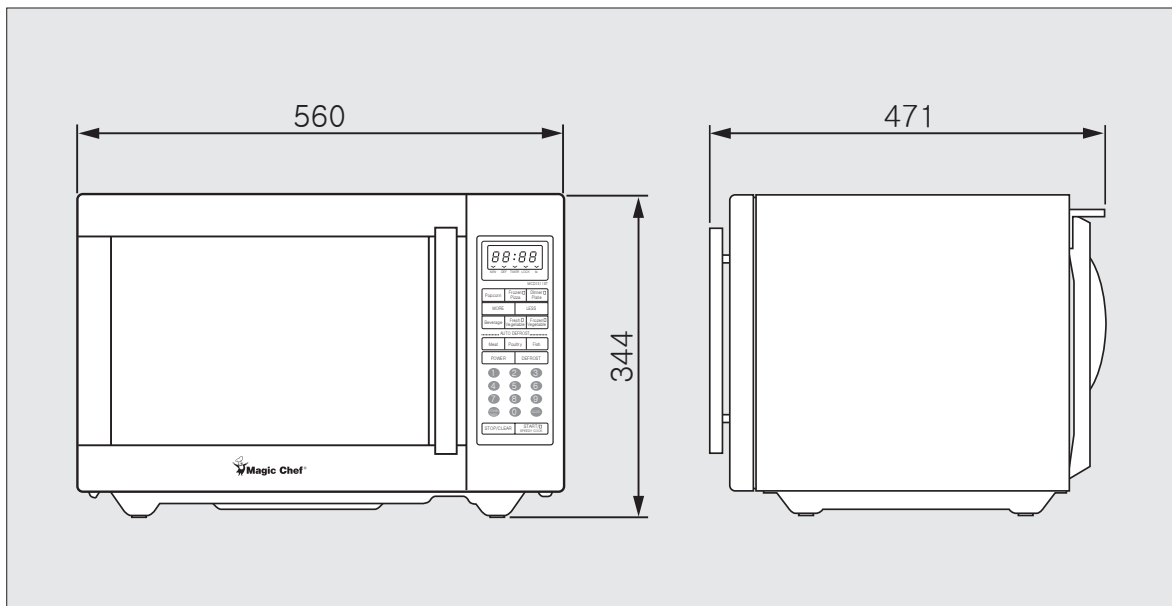


“THE CANADIAN ELECTRICAL CODE DOES NOT ALLOW THE USE OF THE GROUNDING ADAPTOR”

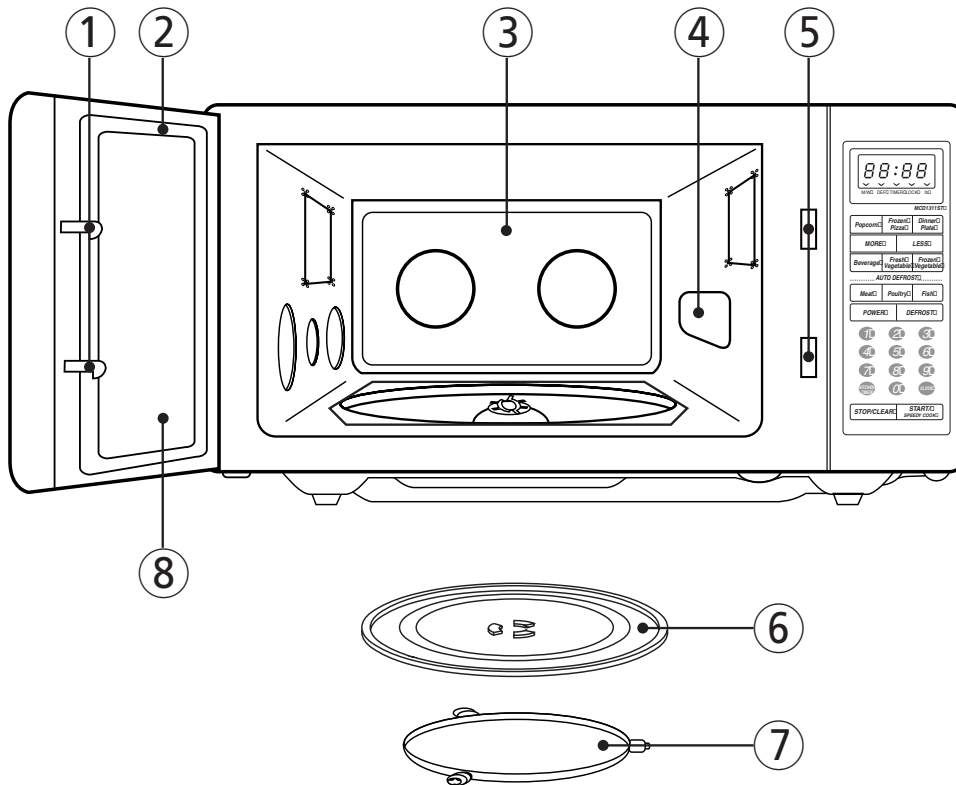
SPECIFICATIONS

POWER SUPPLY		120V AC 60 Hz SINGLE PHASE WITH GROUNDING
MICROWAVE	POWER CONSUMPTION	1500 W
	OUTPUT POWER	1000 W
	FREQUENCY	2450 MHz
OUTSIDE DIMENSIONS (W X H X D)		560 x 344 x 471 mm (22 x 13.5 x 18.5 in.)
CAVITY DIMENSIONS (W X H X D)		369 x 246 x 394 mm (14.5 x 9.7 x 15.5 in.)
NET WEIGHT		APPROX. 16.7 kG (36.8 lbs.)
TIMER		99 min. 99 sec.
POWER LEVELS		10 LEVELS

* Specifications are subject to change without notice.

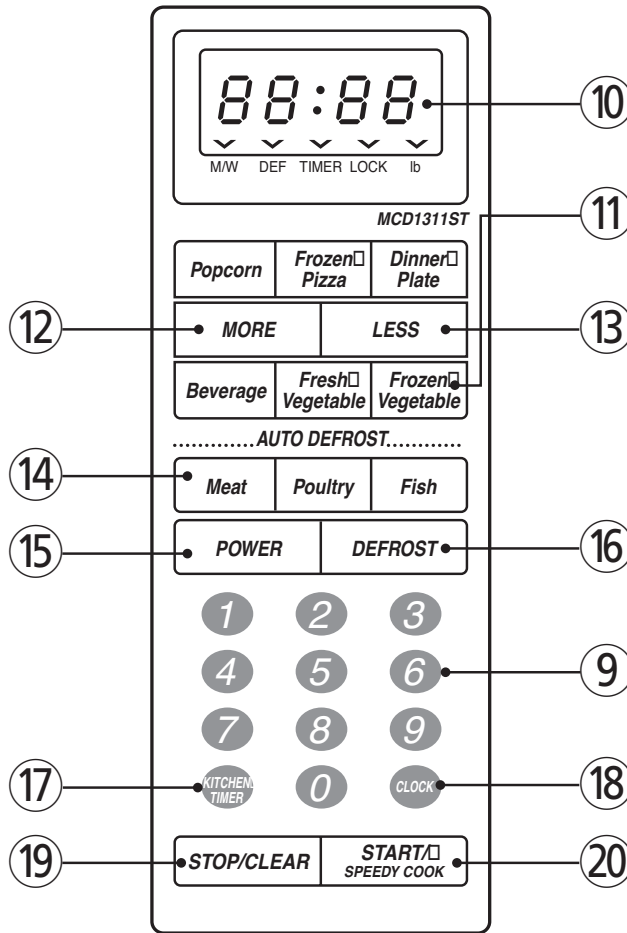


FEATURES DIAGRAM



- ① **Door latch** - When the door is closed it will automatically lock shut. If the door is opened while the oven is operating, the magnetron will automatically shut off.
- ② **Door seal** - The door seal maintains the microwave within the oven cavity and prevents microwave leakage.
- ③ **Oven cavity**
- ④ **Spatter shield** - Protects the microwave outlet from splashes of cooking foods.
- ⑤ **Safety interlock system** - Prevents the oven from operating while the door is opened.
- ⑥ **Glass cooking tray** - Made of special heat resistant glass. The tray must always be in proper position before operating.
- ⑦ **Roller guide** - Supports the glass cooking tray.
- ⑧ **Door screen** - Allows viewing of food. The screen is designed so that light can pass through, but not the microwaves.

FEATURES DIAGRAM (continued)



- ⑨ **TIME SET PAD** - Used to set the cooking time and the present time.
- ⑩ **DISPLAY** - Cooking time, power level, indicators and present time are displayed.
- ⑪ **ONE TOUCH** - Used to cook or reheat specific quantities of food.
- ⑫ **MORE** - Used to add time to cooking.
- ⑬ **LESS** - Used to remove time from cooking.
- ⑭ **AUTO DEFROST** - Used to defrost foods. (for weight)
- ⑮ **POWER** - Used to set power level.
- ⑯ **DEFROST** - Used to defrost foods.(for time)
- ⑰ **KITCHEN TIMER** - Used as a minute timer, delay cooking, hold setting after cooking.
- ⑱ **CLOCK** - Used to set clock.
- ⑲ **STOP/CLEAR** - Used to stop the oven operation or to delete the cooking data.
- ⑳ **START /SPEEDY COOK**- Used to start the oven and also used to set a reheat time.

OPERATION PROCEDURE

This section includes useful information about oven operation.

1. Plug power supply cord into a standard 3- pronged 15 Amp, 120V AC 60Hz power outlet.
2. After placing the food in a suitable container, open the oven door and put it on the glass tray.
The glass tray and roller guide must always be in place during cooking.
3. Shut the door. Make sure that it is firmly closed.

- | | |
|--|--|
| <ol style="list-style-type: none"> 1 The oven light is on when the microwave oven is operating or the door is opened. 2 The oven door can be opened at any time during operation by opening the door. The oven will automatically shut off. 3 Each time a pad is touched, a BEEP will sound to acknowledge the touch. 4 The oven automatically cooks on full power unless set to a lower power level. 5 The display will show ":0" when the oven is plugged in. 6 Time clock returns to the present time when the cooking time ends. | <ol style="list-style-type: none"> 7 When the STOP/CLEAR pad is touched during the oven operation, the oven stops cooking and all information retained. To erase all information (except the present time), touch the STOP/CLEAR pad once more. If the oven door is opened during the oven operation, all information is retained. 8 If the START pad is touched and the oven does not operate, check the area between the door and door seal for obstructions and make sure the door is closed securely. The oven will not start cooking until the door is completely closed or the program has been reset. |
|--|--|

Make sure the oven is properly installed and plugged into the electrical outlet.

WATTAGE OUTPUT CHART

• The power-level is set by touching the POWER pad. The chart shows the display, the power level and the percentage of power.

Touch the Power pad	Power level (Display)	Approximate Percentage of Power
once	P-HI	100%
twice	P-90	90%
3 times	P-80	80%
4 times	P-70	70%
5 times	P-60	60%
6 times	P-50	50%
7 times	P-40	40%
8 times	P-30	30%
9 times	P-20	20%
10 times	P-10	10%
11 times	P-00	0%

CONTROLS

SETTING THE CLOCK

When the oven is first plugged in, the display will flash ":0" and a tone will sound. If the AC power ever goes off, the display shows ":0" when the power comes back on.

CLOCK

1. Touch CLOCK pad.
This is a 12 hour clock system.
2. Touch CLOCK pad once more.
This is a 24hour clock system.
3. Enter the correct time of day by touching the numbers in sequence.
4. Touch CLOCK pad.
5. Touch STOP/CLEAR pad.

NOTE: This oven has multiple clock system. If you want 12 hour clock system, omit this step.

The display stops blinking, and the colon start blinking. If you selected 12 hour clock system, this digital clock allows you to set from 1:00 to 12:59. If you selected 24 hour clock system, this digital clock allows you to set from 0:00 to 23:59.

NOTE: If you attempt to enter an incorrect time, the time will not be set and a error signal tone will sound. Touch the CLOCK pad and re-enter the time.

TIME DEFROSTING

When DEFROST is selected, the automatic cycle divides the defrosting time into periods of alternating defrost and stand times by cycling on and off.

DEFROST

1. Touch DEFROST pad.
2. Touch number pads for the desired defrosting time.
3. Touch START pad.

The DEFROST indicator lights and " : 0" is displayed.

The display will show the numbers you pressed in the order you touched.

NOTE: Your oven can be programmed for 99 minutes 99 seconds.(99:99)

When you touch START pad, the DEF indicator starts blinking to show the oven is in the DEFROST mode. The display counts down the time to show you how much defrosting time is left in the DEFROST mode. The oven beeps during the defrosting cycle to signal that the food needs to be turned or rearranged. When the defrosting time ends, you will hear 3 beeps.

WEIGHT DEFROSTING

WEIGHT DEFROSTING lets you easily defrost food by eliminating guesswork in determining defrosting time. Follow the steps below for easy defrosting.

MEAT	1. Touch MEAT pad.	The lb indicator light and "1.0" is displayed.
	2. Select desired defrosting weight.	The display will show what you touched.
	3. Touch START pad.	MEAT DEFROSTING begins.
POULTRY	1. Touch POULTRY pad.	The lb indicator light and "1.5" is displayed.
	2. Select desired defrosting weight.	The display will show what you touched.
	3. Touch START pad.	POULTRY DEFROSTING begins.
FISH	1. Touch FISH pad.	The lb indicator light and "0.5" is displayed.
	2. Select desired defrosting weight.	The display will show what you touched.
	3. Touch START pad.	FISH DEFROSTING begins.

* WEIGHT DEFROST CHART

Touch pad	MEAT	POULTRY	FISH
once	1.0 lb	1.5 lb	0.5 lb
twice	1.5 lb	2.0 lb	1.0 lb
3 times	2.0 lb	2.5 lb	1.5 lb
4 times	2.5 lb	3.0 lb	2.0 lb

The defrosting time is automatically determined by the weight selected. The lb indicator goes off and the DEF indicator blinks and the defrosting time counts down in the display window. The oven beeps during the defrosting cycle to signal that the food needs to be turned or rearranged. When the defrosting time ends, you will hear 3 beeps.

COOKING IN ONE STAGE

POWER x6	1. Touch POWER pad. (Select desired power level.)	The M/W indicator lights. The display will show what you touched.
	2. Touch the number pads for the cooking time.	This example shows power level 5. The display will show the numbers you pressed in the order you touched.
	3. Touch START pad.	NOTE: Your oven can be programmed for 99 minutes 99 seconds. (99:99)

When you touch START pad, the M/W indicator starts blinking to show the oven is cooking. The display counts down the time to show how much cooking time is left. When the cooking time ends, you will hear 3 beeps.

NOTE: Using lower power levels increases the cooking time which is recommended for foods such as cheese, milk and slow cooking of meats.

COOKING IN TWO STAGES

All recipes require frozen foods to be defrosted fully before cooking. This oven can be programmed to automatically defrost foods before cooking.

DEFROST	1. Touch DEFROST pad.	The DEF indicator lights and “ : 0” is displayed.
	2. Touch number pads for the defrosting time you want.	The display will show the numbers you pressed in the order you touched.
POWER x6	3. Touch POWER pad. (Select desired power level.)	The M/W indicator lights and “ P-50” is The display will show what you touched. This example shows power level 5.
	4. Touch number pads for desired cooking time.	The display will show the number you pressed in the order you touched.
	5. Touch START pad.	

When you touch START pad, the DEF and M/W indicators come on to confirm the power levels selected. The DEF indicator starts blinking to show you that the oven is in DEFROST mode. The display counts down the time remaining in DEFROST mode. When the oven beeps, turn over, break apart and/or redistribute the food. At the end of DEFROST mode, the oven will beep and start M/W cook. The DEF indicator goes off and the M/W indicator starts blinking. The display counts down the time remaining in M/W cook. When M/W cook ends, you will hear 3 beeps.

KITCHEN TIMER MODE

Timer operates as a minute timer, can be set to delay cooking and used as a hold setting after cooking. However delay cooking can not be programmed for defrost. Timer operates without microwave energy.

HOW TO USE AS A MINUTE TIMER

KITCHEN TIMER	1. Touch KITCHEN TIMER pad.	The TIMER indicator lights and “ : 0 ” is displayed.
	2. Press the amount of time you want to count down.	The display will show the numbers you pressed in the order you touched.
	3. Touch START pad.	The display counts down the time remaining in KITCHEN TIMER mode. When KITCHEN TIMER mode ends, you will hear 3 beeps.

HOW TO USE TO DELAY THE START OF COOKING

KITCHEN TIMER	1. Touch KITCHEN TIMER pad.	The TIMER indicator lights and “ : 0 ” is displayed.
	2. Press the amount of time you want to delay time.	The display will show the numbers you pressed in the order you touched.
	3. Program the desired power level and cooking time for food to be cooked.	The M/W indicator lights and the selected power level & cooking time are displayed.
	4. Touch START pad.	The kitchen timer will begin counting down to zero and cooking will then begin.

HOW TO USE TO SET A HOLDING TIME

KITCHEN TIMER	1. Program the desired cooking time.	The M/W indicator lights and “ : 0 ” is displayed.
	2. Touch KITCHEN TIMER pad.	The TIMER indicator lights and “ : 0 ” is displayed.
	3. Press the amount of time you want the oven to hold.	The display will show the numbers you pressed in the order you touched.
	4. Touch START pad.	Cooking will start. After cooking, stand time will count down.

NOTE: Your oven can be programmed for 99 minutes 99 seconds. (99:99)

SPEEDY COOK

SPEEDY COOK allows you to reheat for 30 seconds at 100% (full power) by simply touching the SPEEDY COOK pad.

By repeatedly touching the SPEEDY COOK pad, you can also extend reheating time to 5 minutes by 30 second increments.

SPEEDY COOK

1. Touch SPEEDY COOK pad.

When you touch SPEEDY COOK, ":30" is displayed.

After 1.5 seconds, the oven starts reheating.

ONE TOUCH COOKING

One touch cook allows you to cook or reheat many of your favorite foods by touching just one pad. To increase quantity, touch chosen pad until number in display is same as desired quantity to cook. (except for POPCORN)

POPCORN

1. Remove plastic wrap. Follow manufacture's directions for placement and care in opening.
2. Touch POPCORN pad once for a 3.5 oz bag .

When you touch POPCORN pad once, "3.5" is displayed.

After the 1.5 seconds, the display shows the cooking time and the oven starts cooking.

- NOTE:**
1. Use prepackaged room-temperature microwave popcorn.
 2. Place bag in oven according to manufacturer's directions.
 3. Pop only one bag at a time.
 4. After popping, open bag carefully: popcorn and steam are extremely hot.
 5. Do not reheat unpopped kernels or reuse bag.
 6. Do not leave oven unattended while popping popcorn.

CAUTION : If prepackaged popcorn is of a different weight than the recommended weight, do not use the POPCORN pad. Follow the manufacturer instruction.

FROZEN PIZZA

1. Follow package directions for preparation model.
2. Touch FROZEN PIZZA pad once for 7 oz pizza or twice for 14 oz pizza.

When you touch FROZEN PIZZA pad once, "7" is displayed.

After 1.5 seconds, the display shows the cooking time and the oven starts cooking.

* FROZEN PIZZA *

- 7 oz : Touch FROZEN PIZZA once.
- 14 oz : Touch FROZEN PIZZA twice within 1.5 seconds.

- NOTE:**
1. Use only frozen pizza at a time.
 2. Use only frozen pizza made for microwave ovens.
 3. If the cheese of frozen pizza does not melt sufficiently, cook a few seconds longer.
 4. Some brands of frozen pizza may required more or less cooking time.

ONE TOUCH COOKING (CONTINUED)

BEVERAGE

1. Pour beverage in microwave mug. Place it on the turntable. Do not cover. Stir before serving.
2. Touch BEVERAGE pad once for 1 cup, twice for 2 cups or three times for 3 cups.

When you touch BEVERAGE pad once, "1" is displayed.
After 1.5 seconds, the display changes into cooking time of quantity and the oven starts cooking.

* BEVERAGE * (200ml/cup)

- 1 cup(mug) : Touch BEVERAGE once.
- 2 cups(mugs) : Touch BEVERAGE twice within 1.5 seconds.
- 3 cups(mugs) : Touch BEVERAGE three times within 1.5 seconds.

DINNER PLATE

1. Put foods in the microwave plate. Cover with vented plastic wrap.
2. Touch DINNER PLATE pad once for 12 oz dinner plate or twice for 15 oz of dinner plate.

When you touch DINNER PLATE pad once, "12" is displayed.
After 1.5 seconds, the display shows the cooking time and the oven starts cooking.

* DINNER PLATE *

- 12 oz : Touch DINNER PLATE once.
- 15 oz : Touch DINNER PLATE twice within 1.5 seconds.

FRESH VEGETABLE

1. Trim and wash the mixed vegetables. Place them in the round dish. Add to 2 Tbsp. water.
2. Touch FRESH VEGETABLE pad once for 7 oz of fresh vegetable or twice for 14 oz of fresh vegetable.

When you touch FRESH VEGETABLE pad once, "7" is displayed.
After 1.5 seconds, the display shows cooking time and the oven starts cooking.

* FRESH VEGETABLE *

- 7 oz : Touch FRESH VEGETABLE once.
- 14 oz : Touch FRESH VEGETABLE twice within 1.5 seconds.

FROZEN VEGETABLE

1. Place the vegetables in the round dish. Add to 2 Tbsp. water.
2. Touch FROZEN VEGETABLE pad once for 7 oz of frozen vegetable or twice for 14 oz of frozen vegetable.

When you touch FROZEN VEGETABLE pad once, "7" is displayed.
After 1.5 seconds, the display shows cooking time and the oven starts cooking.

* FROZEN VEGETABLE *

- 7 oz : Touch FROZEN VEGETABLE once.
- 14 oz : Touch FROZEN VEGETABLE twice within 1.5 seconds.

LESS, MORE

To alter one touch cooking or cooking time whilst oven is in operation, use LESS or MORE. (except for defrosting) Press LESS/MORE to decrease/increase the one touch cooking time in multiples of 10 seconds.

The overall one touch cooking time can be increased to a maximum of 99 minutes 50 seconds.

Press LESS/MORE to decrease/increase the cooking time in multiples of 1 minute.

The overall cooking time can be increased to a maximum of 99 minutes.

CHILD SAFETY LOCK

The safety lock prevents unwanted oven operation such as by small children.

To set, press and hold STOP/CLEAR for 3 seconds, LOCK indicator lights.

To cancel, press and hold STOP/CLEAR for 3 seconds, LOCK indicator goes off.

TO STOP THE OVEN WHILE THE OVEN IS OPERATING

1. Press STOP/CLEAR pad.

- You can restart the oven by touching START pad.
- Touch STOP/CLEAR once more to erase all instructions.
- You must enter in new instructions.

2. Open the door.

- You can restart the oven by closing the door and touching START.

NOTE: Oven stops operating when door is opened.

UTENSIL TEST	<p>Dishes that do not absorb microwave energy are best for microwave cooking. Look on the label to verify that particular cups, glasses, plates are indeed suitable, especially paper goods. If you are not sure, try this utensil test to check.</p> <ul style="list-style-type: none"> • Put the empty utensil in the microwave oven. • Put one cup of water in a glass measure next to the empty utensil. • Heat on P-HI for 1 minute. • After 1 minute the water should be warm but the utensil should not. If the utensil is warm, it is not suitable for microwave cooking.
---------------------	---

COOKING UTENSILS

Recommended Use

- glass and glass-ceramic bowls and dishes - Use for heating or cooking.
- Microwave browning dish - Use to brown the exterior of small items such as steaks, chops, or pancakes. follow the directions provided with you browning dish.
- Microwaveable plastic wrap - Use to retain steam. Leave a small opening for some steam to escape and avoid placing it directly on the food.
- Wax paper - Use as a cover to prevent spattering.
- Paper towels and napkins - Use for short term heating and covering; they absorb excess moisture and prevent spattering. Do not use recycled paper towels, which may contain metal and can catch fire.
- Thermometers - Use only those labeled “Microwave Safe” and follow all directions. Check the food in several places. Conventional thermometers may be used once the food has been removed from the oven.

Limited Use

- Aluminum foil - Use narrow strips of foil to prevent overcooking of exposed areas. Using too much foil can damage your oven, so be careful.
- Ceramic, porcelain, and stoneware - use these if they are labeled “Microwave Safe.” If they are not labeled, test them to make sure they can be used safely. Never use dishes with metallic trim.
- Plastic - Use only if labeled “Microwave Safe.” Other plastics can melt.
- Straw, wicker, and wood - Use only for short-term heating, as they can be flammable.

Not Recommended

- Glass jars and bottles - Regular glass is too thin to be used in a microwave, and can shatter.
- Paper bags - These are a fire hazard, except for popcorn bags that are designed for microwave use.
- Styrofoam plates and cups - These can melt and leave an unhealthy residue on food.
- Plastic storage and food containers - Containers such as margarine tubs can melt in the microwave.
- Metal utensils - These can damage your oven. Remove all metal before cooking.

COOKING TECHNIQUES

Stirring

Stir foods such as casseroles and vegetables while cooking to distribute heat evenly.

Food at the outside of the dish absorbs more energy and heats more quickly, so stir from the outside to the center. The oven will turn off when you open the door to stir your food.

Arrangement

arrange unevenly shaped foods, such as chicken pieces or chops, with the thicker, meatier parts toward the outside of the turntable where they receive more microwave energy. To prevent overcooking, place thin or delicate parts toward the center of the turntable.

Shielding

Shield food with narrow strips of aluminum foil to prevent overcooking. Areas that need shielding include poultry wing-tips, the ends of poultry legs, and corners of square baking dishes. Use only small amounts of aluminum foil. Larger amounts can damage your oven.

turning

Turning

Turn foods oven midway through cooking to expose all parts to microwave energy. This is especially important with large items such as roasts.

Standing

Standing

Foods cooked in the microwave build up internal heat and continue to cook for a few minutes after the oven stops. Let foods stand to complete cooking, especially foods such as roasts and whole vegetables. Roasts need this time to complete cooking in the center without overcooking the outer areas. All liquids, such as soup or hot chocolate, should be shaken or stirred when cooking is complete. Let liquids stand a moment before serving. When heating baby food, stir well and test the temperature before serving.

Adding Moisture

Microwave energy is attracted to water molecules. Food that is uneven in moisture content should be covered or allowed to stand so that the heat disperses evenly. Add a small amount of water to dry food to help it cook.

DEFROSTING GUIDE

GENERAL INFORMATION

- ⇒ Put the food on a microwave rack (roasts, bone-in pieces) or in a microwave casserole (small pieces such as cubes or strips) or weigh at home on a kitchen scale. Round number to the nearest tenth of a pound and choose that number with each item pads.
- ⇒ The shape of food items, especially larger ones, will vary affect the way defrost. Always check the status after the standing time. Fish, seafood and poultry should still be somewhat icy in the center the held under cold running water to finish defrosting. If more time is needed, use DEFROST by time to add time in small increments.
- ⇒ Halfway through the defrosting process, a series of beeps will indicate that it is time to change the position of the item being defrosted. The includes turning over or rotating the item, separating defrosted pieces or sections, or shielding.
- ⇒ Shielding means to use a 2-inch strip of aluminum foil to protect thinner or unevenly shaped part from beginning to cook. Microwave energy will not penetrate the foil. Some rules apply to the use of foil:
Do not let the foil pieces touch each other or the sides of the microwave oven.
Be sure that all ends are touched under and lie flat to the food.
Remember to adjust foil when a item is turned over and cover with wax paper.
- ⇒ To prepare food for freezer storage(and later defrosting), wrap tightly in moisture proof packaging. If using freezer plastic bags, be sure to let all the air out to prevent freezer bump on the food. Package so that food is as evenly shaped as possible ease in defrosting

DEFROSTING CHART

Item and Weight	Defrosting Time	Standing Time	Special Techniques
BEEF			
Mineed beef 454g (1 lb.)	7-9 min.	5-7 min.	Break apart and remove thawed portions with fork.
Stew Meat 681 (1 ¹ / ₂ lbs.)	8-10 min.	5-7 min.	Separate and rearrange once.
Loin Roast 907g (2 lbs.)	12-15 min.	7-10 min.	Turn over after half the time. Shield as needed.
Patties 4 (113g (4 oz.))	5-6 min.	5-7 min.	Turn over after half the time.
PORK			
Loin Roast 907g (2 lbs.)	12-14 min.	7-10 min.	Turn over after half the time. Shield as needed.
Spareibs 454g (1 lb.)	5-6 min.	5-7 min.	Separate and rearrange once.
Chops 4 (142g (5 oz.))	5-7 min.	5-7 min.	Separate and turn over once.
Minced 454g (1 lb.)	6-8 min.	5-7 min.	Break apart and remove thawed portions with fork.
POULTRY			
Whole Chicken 1134g (2 ¹ / ₂ lbs.)	16-18 min.	10-15 min.	Breat side down. Turn over after half the time. Shield as needed.
Chicken Breasts 454g (1 lb.)	6-8 min.	5-7 min.	Separate and rearrange once.
Fryer Chicken (cut up) 907g (2 lbs.)	9-11 min.	7-10 min.	Separate and rearrange once.
Chicken Thighs 681g (1 ¹ / ₂ lbs.)	8-12 min.	5-7 min.	Separate and rearrange once.
FISH & SEAFOOD			
Whole Fish 454g (1 lb.)	4-5 min.	5-7 min.	Turn over after half the time. Shield as needed.
Fish Fillets 681g (1 ¹ / ₂ lb.)	5-7 min.	5-7 min.	Separate and turn over once.
Shrimp 227g (1/2 lb.)	2-3 min.	5-7 min.	Separate and rearrange once.

* The times are approximate because freezer temperatures vary.

COOKING CHART

MEAT		
ITEM	POWER LEVEL	COOKING TIMER PER POUND
Beef		
Standing/rolled Rib - Rare	P-80	7-9 min.
- Medium	P-80	8-10 min.
- well done	P-80	10-12 min.
Ground Beef(to brown for casserole)	P-HI	4-6 min.
Hamburgers, Fresh or defrosted (4 oz. Each)		
2 patties	P-HI	2-4 min.
4 patties	P-HI	3-5 min.
Pork		
Loin, Leg	P-80	10-12 min.
Bacon		
4 slices	P-HI	1-2 min.
6 slices	P-HI	2-3 min.

NOTE: The above times should be regarded only as a guide. Allow for difference in individual tastes and preferences. The times may vary due to the shape, cut, and composition of the meat.

POULTRY

ITEM	POWER LEVEL	COOKING TIMER PER POUND
Chicken		
Whole	P-HI	6-8 min.
Breast(boned)	P-80	5-7 min.
portions	P-80	6-8 min.
Turkey		
Whole	P-HI	9-11 min.

NOTE: The above times should be regarded only as a guide. Allow for difference in individual tastes and preferences. The times may vary due to the shape and composition of the food.

FRESH FISH

ITEM	POWER LEVEL	COOKING TIME PER POUND	METHOD	STANDING TIME
Fish Fillets	P-HI	3-5 min.	Add 15-30 ml(1-2 Tbsp)	2-3 min.
Whole Mackerel, Cleaned and Prepared	P-HI	3-5 min.	-	3-4 min.
Whole Trout, Cleaned and Prepared	P-HI	4-6 min.	-	3-4 min.
Salmon Steaks	P-HI	4-6 min.	Add 15~30 ml(1~2 Tbsp)	3-4 min.

VEGETABLE

ITEM	POWER LEVEL	PREPARATION	QUANTITY	COOKING TIME	STANDING TIME
Artichokes, fresh	P-HI	Whole	4(8 oz. each)	6-8 min.	5 min.
Artichokes, frozen	P-HI	Hearts	250g(9 oz. pkg)	7-9 min.	5 min.

VEGETABLE					
ITEM	POWER LEVEL	PREPARATION	QUANTITY	COOKING TIME	STANDING TIME
Asparagus, fresh	P-HI	1 ¹ / ₂ -in.pieces	500g(1 lb.)	4-6 min.	3 min.
Asparagus, frozen	P-HI	Whole spears	280g(10 oz. pkg)	5-7 min.	3 min.
Broccoli, fresh	P-HI	Spears	500g(1 lb.)	4-6 min.	-
Broccoli, frozen	P-HI	Whole or cut	280g(10 oz. pkg)	5-7 min.	3 min.
Brussels sprouts, fresh	P-HI	Whole	280g(10 oz. tub)	4-6 min.	-
Brussels sprouts, frozen	P-HI	Whole	280g(10 oz. pkg)	5-7 min.	3 min.
Carrots, fresh	P-HI	1/2-in.slices	500g(1 lb.)	5-7 min.	3 min.
Carrots, frozen	P-HI	Sliced	280g(10 oz. pkg)	3-4 min.	3 min.
Cauliflower, frozen	P-HI	florets	280g(10 oz. pkg)	3-4 min.	3 min.
Celery, fresh	P-HI	1/2-in.slices	500g(1 lb.)	4-6 min.	5 min.
Corn, fresh	P-HI	on cob, husked	4 ears	6-8 min.	5 min.
Corn, frozen	P-HI	on cob, husked	4 ears	6-8 min.	5 min.
	P-HI	whole kernel	280g(10 oz. pkg)	4-6 min.	3 min.
Eggplant, fresh	P-HI	cubed	500g(1 lb.)	4-6 min.	3 min.
	P-HI	whole, pierced	500~700g(1-1 ¹ / ₂ lb.)	5-7 min.	5 min.
Leeks fresh	P-HI	whole, ends	500g(1 lb.)	5-7 min.	5 min.
Lima beans, frozen	P-HI	whole	280g(10 oz. pkg)	4-6 min.	3 min.
Mixed vegetables frozen	P-HI	-	280g(10 oz. pkg)	4-6 min.	3 min.
Mushrooms, fresh	P-HI	sliced	500g(1 lb.)	3-4 min.	3 min.
Okra, frozen	P-HI	sliced	280g(10 oz. pkg)	4-6 min.	5 min.
Onions, fresh	P-HI	whole, peeled	8-10 small	6-8 min.	5 min.
Pea pods(snow peas), frozen	P-HI	whole	170g(6 oz. pkg)	3-4 min.	3 min.
Peas and carrots	P-HI	-	280g(10 oz. pkg)	3-4 min.	3 min.
Parsnips, fresh	P-HI	cubed	500g(1 lb.)	5-7 min.	5 min.
Potatoes, white or sweet, fresh	P-HI	whole	4(6 oz. each)	12-14 min.	3 min.
	P-HI	whole	8(6 oz. each)	13-15 min.	5 min.
Squash, summer, fresh	P-HI	1/2-in.slices	500g(1 lb.)	4-6 min.	3 min.
Squash, summer, frozen	P-HI	sliced	280g(10 oz. pkg)	4-6 min.	3 min.
Squash, winter, fresh	P-HI	whole, pierced	700g(1 ¹ / ₂ lbs.)	8-10 min.	5 min.
Squash, winter, frozen	P-HI	whipped	340g(12 oz. pkg)	6-8 min.	3 min.
Succotash, frozen	P-HI	-	280g(10 oz. pkg)	4-6 min.	3 min.
Turnips	P-HI	cubed	4 cups	6-8 min.	3 min.

REHEATING CHART

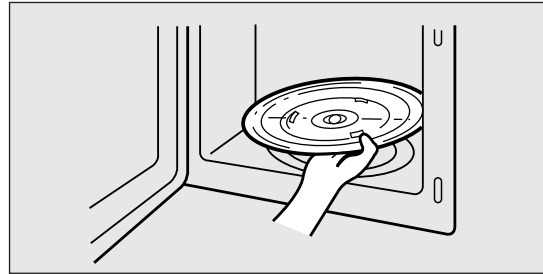
ITEM	QUANTITY	POWER LEVEL	COOKING TIME	SPECIAL INSTRUCTION
Appetizers (bite size)	2 servings	P-HI	2-4 min.	Heat 12 at time on paper towel lined paper plate or microwave oven roasting rack
Breakfast entrée	110~140g(4-5 oz.)	P-HI	2-4 min.	If containers is 3/4-inch deep, remove foil cover and replace foil tray in original box. For containers more then 3/4-inch deep, remove food to similar size glass container; heat, covered. If no top crust stir occasionally.
Entrée	250g(8-9 oz.)	P-HI	8-10 min.	
Regular TV-style dinner	600g(21 oz.)	P-HI	12-15 min.	
Hearty TV-style dinner	300g(11 oz.)	P-HI	6-8 min.	
	480g(17 oz.)	P-HI	8-10 min.	

ITEM	QUANTITY	POWER LEVEL	COOKING TIME	SPECIAL INSTRUCTION
Fried chicken	2 pieces	P-HI	2-4 min.	Arrange, on paper tower lined paper plate, covered with paper tower.
	4 pieces	P-HI	3-5 min.	
	6 pieces	P-HI	4-6 min.	
Fried fresh fillets	2 fillets	P-HI	2-3 min.	
	4 fillets	P-HI	3-5 min.	
Pizzas (sliced)	1	P-HI	2-4 min.	Arrange on microwave oven roasting rack.
	2	P-HI	3-5 min.	
	4	P-HI	5-7 min.	
Pouch dinners	140~160g(5-6 oz.)	P-HI	4-5 min.	Pierce pouch. Set on plate. Turn over halfway through cooking.
	280~300g(10-11 oz.)	P-HI	7-9 min.	
Bagels	2	P-60	2-3 min.	Each individually wrapped in paper toweling (for1-2) or arrange on paper plate, cover with paper toweling.
	4	P-60	3-5 min.	
Danish	1	P-60	1-2 min.	
	2	P-60	2-3 min.	
	4(6 oz. pkg)	P-60	3-4 min.	
	6(13 oz. pkg)	P-60	4-5 min.	
Dinner rolls	6	P-60	2-3 min.	
Hard rolls	1(1-1 ¹ / ₄ oz.)	P-60	1-2 min.	
	2	P-60	1 ¹ / ₂ -2 ¹ / ₂ min.	
	4	P-60	2-3 min.	
Frozen Juice	170g(6 oz.)	P-HI	1-2 min.	Remove lid. If container is foil lined transfer to a pitcher or open carton. Let stand after defrosting.
Concentrates	340g(12 oz.)	P-HI	2-5 min.	
Non-Dairy creamer	450g(16 oz.)	P-60	8-10 min.	
Pancake	280g(10 oz.)	P-60	4-6 min.	
Frozen vegetables	160g(6 oz.)	P-60	6-10 min.	Pierce box, set on plate. If box is foil wrapped, remove foil. If vegetables are in pouch, pierce pouch. Let stand 5 min.
	280g(10 oz.)	P-60	8-12 min.	
Cheese cake	500g(17 oz.)	P-60	4-5 min.	Remove from original container. Arrange on a serving plate. Let stand 5 minutes after cooking(to defrost). Add an additional 1-2 minutes to serve warm.
Brownies	360g(13 oz.)	P-60	2-4 min.	
Pound cake	300g(10 ³ / ₄ oz.)	P-60	1 ¹ / ₂ -3 min.	
Coffee cake	300~340g(11-12 oz.)	P-60	3-5 min.	

CARE OF YOUR MICROWAVE OVEN

1. Turn the oven off before cleaning.
2. Keep the inside of the oven clean.
When food spatters or spilled liquids adhere to oven walls, wipe with a damp cloth.
Mild detergent may be used if the oven gets very dirty. The use of harsh detergent or abrasives is not recommended.
3. The outside oven surface should be cleaned with soap and water, rinsed and dried with a soft cloth.
To prevent damage to the operating parts inside the oven, water should not be allowed to seep into the ventilation openings.
4. If the Control Panel becomes wet, clean with a soft, dry cloth. Do not use harsh detergents or abrasives on Control Panel.
5. If steam accumulates inside or around the outside of the oven door, wipe with a soft cloth. This may occur when the microwave oven is operated under high humidity conditions and in no way indicates malfunction of the unit.

6. It is occasionally necessary to remove the glass tray for cleaning. Wash the tray in warm sudsy water or in a dishwasher.



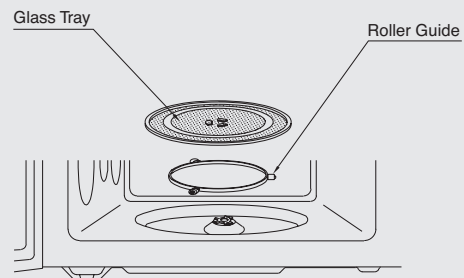
7. The roller guide and oven cavity floor should be cleaned regularly to avoid excessive noise.
Simply wipe the bottom surface of the oven with mild detergent water or window cleaner and dry. The roller guide may be washed in mild sudsy water.

ROLLER GUIDE

1. The ROLLER GUIDE and oven floor should be cleaned frequently to prevent excessive noise.
2. The ROLLER GUIDE MUST ALWAYS be used for cooking together with the Glass Tray.

GLASS TRAY

1. DO NOT operate the oven without the Glass Tray in place.
2. DO NOT use any other Glass Tray with this oven.
3. If Glass Tray is hot, ALLOW TO COOL before cleaning or placing it in water.
4. DO NOT cook directly on the Glass Tray.



USE YOUR MICROWAVE OVEN SAFELY

General Use

Do not attempt to defeat or tamper with safety interlocks.

Do not place any object between the oven front frame and the door or allow residue to build up on sealing surfaces. Wipe with a mild detergent, rinse and dry. Never use abrasive powders or pads.

Do not subject the oven door strain or weight such as a child hanging on an open door.

This could cause the oven to fall forward resulting in injury to you and damage to the oven.

Do not operate the oven if door seals or sealing surfaces are damaged, or if door is bent, or if hinges are loose or broken.

Do not operate the oven empty. This will damage the oven.

Do not attempt to dry clothes, newspapers or other materials in the oven. They may catch on fire.

Do not use recycled paper products as they may contain impurities which may cause sparks or fires.

Do not hit or strike the control panel with hard objects. This can damage the oven.

Food

Never use your microwave oven for home canning. The oven is not designed for proper home canning. Improperly canned food may spoil and be dangerous to consume.

Always use the minimum recipe cooking time. It is better to undercook rather than over cook foods.

Undercooked foods can be returned to the oven for more cooking. If food is overcooked, nothing can be done.

Heat small quantities of food or foods with low moisture carefully. These can quickly dry out, burn or catch on fire.

Do not heat eggs in the shell. Pressure may build up and eggs can explode.

Potatoes, apples, egg yolks and sausages are examples of food with non-porous skins.

These must be pierced before cooking to prevent bursting.

Do not attempt to deep fat fry in your microwave oven.

Always stir liquids before heating. Heated liquids can erupt, if not mixed with air.

Do not pop popcorn in a paper bag unless it is the commercially prepared Microwave Popcorn product.

The kernels can overheat and ignite a brown paper bag.

Do not exceed the Microwave Popcorn manufacturers' suggested popping time. Longer popping does not yield more popcorn but it can result in scorch burn of fire. Remember, the popcorn bag and tray can be too hot to handle. Remove with caution and use pot holders.

ARCING

*If you see arcing, press **STOP/CLEAR** pad and correct the problem.*

Arcing is the microwave term for sparks in the oven. Arcing is caused by:

- Metal or foil touching the side of the oven.
- Foil not molded to food (upturned edges act like antennas).
- Metal, such as twist-ties, poultry pins, or gold rimmed dishes, in the microwave.
- Recycled paper towels containing small metal pieces being used in the microwave.

QUESTIONS AND ANSWERS

- Q : I accidentally ran my microwave oven without any food in it. Is it damaged?
A : Running the oven empty for a short time will not damage the oven.
However, it is not recommended.
- Q : Can the oven be used with the glass tray or roller guide removed?
A : No. Both the glass tray and roller guide must always be used in the oven before cooking.
- Q : Can I open the door when the oven is operating?
A : The door can be opened anytime during the cooking operation. Then microwave energy will be instantly switched off and the time setting will maintain until the door is closed and START is touched.
- Q : Why do I have moisture in my microwave oven after cooking?
A : The moisture on the side of your microwave oven is normal. It is caused by steam form cooking food heating the cool oven surface.
- Q : Dose microwave energy pass through the viewing screen in the door?
A : No. The metal screen bounces back the energy to the oven cavity. The holes are made to allow light to pass through. They do not let microwave energy pass through.
- Q : Why do eggs sometimes pop?
A : When baking or poaching eggs, the yolk may pop due to steam build-up inside the yolk membrane. To prevent this, simply pierce the yolk with a toothpick before cooking. Never cook eggs without piercing their shells.
- Q : Why is standing time recommended after the cooking operation has been completed?
A : Standing time is very important.
With microwave cooking, the heat is in the food, not in the oven. Many foods build up enough internal heat to allow the cooking process to continue, even after the food is removed from the oven. Standing time for joints of meat, large vegetables and cakes allows the inside to cook completely, without overcooking the outside.
- Q : What does “standing time” mean?
A : “Standing time” means that food should be removed from the oven and covered for additional time to allow it to finish cooking. This frees the oven for other cooking.
- Q : Why does my oven not always cook as fast as the microwave cooking guide says?
A : Check your cooking guide again, to make sure you’ve followed directions exactly ; and to see what might cause variations in cooking time. Cooking guide times and heat settings are suggestions, to help prevent over-cooking... the most common problem in getting used to a microwave oven. Variations in the size, shape and weights and dimensions could require longer cooking time. Use your own judgement along with the cooking guide suggestions to check whether the food has been properly cooked just as you would do with a conventional cooker.
- Q : Will the microwave oven be damaged if it operates while empty?
A : Yes. Never run it empty.
- Q : Can I operate my microwave oven without the turntable or turn the turntable over to hold a large dish?
A : No. If you remove or turn over the turntable, you will get poor cooking results. Dishes used in your oven must fit on the turntable.
- Q : Is it normal for the turntable to turn in either direction?
A : Yes. The turntable rotates clockwise or counterclockwise, depending on the rotation of the motor when the cooking cycle begins.
- Q : Can I pop popcorn in my microwave oven? How do I get the best results?
A : Yes. Pop packaged microwave popcorn following manufactures guidelines or use the preset POPCORN pad. Do not use regular paper bags. Use the “listening test” by stopping the oven as soon as the popping slows to a “pop” every 1 or 2 seconds. Do not repop unpopped kernels. Do not pop popcorn in glass cookware.

WEIGHT & MEASURE CONVERSION CHART

■ POUNDS & OUNCES TO GRAMS

POUNDS(lb.)	GRAMS(g)	OUNCES(oz.)	GRAMS(g)	OUNCES(oz.)	GRAMS(g)
1/4	114	1	28	9	255
1/2	227	2	57	10	284
3/4	341	3	85	11	312
1	454	4	113	12	340
2	907	5	142	13	369
3	1361	6	170	14	397
4	1814	7	198	15	425
5	2268	8	227	16	454
6	2722				
7	3175				
8	3629				
9	4082				
10	4526				
11	4990				

■ FLUID MEASUREMENTS

1 Cup	= 8 fluid ounces	= 240 ml.
1 Pint	= 16 fluid ounces	= 480 ml.
1 Quart	= 32 fluid ounces	= 960 ml.
1 Gallon	= 128 fluid ounces	= 3840 ml.

■ WEIGHT DEFROST AND COOK CONVERSION CHART

Ounces	Hundredths of a Pound	Tenths of a Pound	Grams
1-2	.06-.15	0.1	50
3-4	.16-.25	0.2	100
5-6	.26-.35	0.3	150
7	.36-.45	0.4	200
8-9	.46-.55	0.5	250
10-11	.56-.65	0.6	300
12-13	.66-.75	0.7	350
14	.76-.85	0.8	400
15-16	.86-.95	0.9	450

BEFORE YOU CALL FOR SERVICE

Refer to the following checklist, you may prevent an unnecessary service call.

- The oven doesn't work :
 1. Check that the power cord is securely plugged in.
 2. Check that the door is firmly closed.
 3. Check that the cooking time is set.
 4. Check for a blown circuit fuse or tripped main circuit breaker in your house.
- Sparking in the cavity;
 1. Check utensils. Metal containers or dishes with metal trim should not be used.
 2. Check that metal skewers or foil does not touch the interior walls.

If there is still a problem, contact the service station.

DO NOT ATTEMPT TO SERVICE THE OVEN YOURSELF !



Limited Warranty

MC Appliance Corporation warrants each new Microwave Oven to be free from defects in material and workmanship, and agrees to remedy any such defect or to furnish a new part(s), at the company's option, for any part(s) of the unit that have failed during the warranty period. Parts and labor expenses are covered on this unit for a period of one year from the date of purchase. A copy of the dated sales receipt or invoice is required to receive warranty service by an authorized service agent.

In addition, MC Appliance Corporation warrants the magnetron (parts only) to be free from defects in material and workmanship for a period of eight years.

The consumer is responsible for all labor and transportation expenses related to the diagnosis and replacement of the magnetron after the initial one-year warranty expires. In the event the unit requires replacement or refund under the terms of this warranty, the consumer is responsible for all transportation expenses to return the unit to our factory prior to receiving a replacement unit or refund. A copy of the dated sales receipt/invoice is required to receive warranty service, replacement or refund.

This warranty covers appliances in use within the continental United States, Alaska, Hawaii and Puerto Rico. This warranty does not cover the following:

- Damages due to shipping damage or improper installation.
- Damages due to misuse or abuse.
- Content losses due to failure of the unit.
- Inside components such as turntable, roller guide, light bulbs, etc.
- Repairs performed by unauthorized service agents.
- Service calls that do not involve defects in material and workmanship such as instructions on proper use of the product or improper installation.
- Replacement or resetting of house fuses or circuit breakers.
- Failure of this product if used for other purposes than its intended purpose.
- Disposal costs for any failed unit not returned to our factory
- Any delivery/installation costs incurred as the result of a unit that fails to perform as specified.
- Expenses for travel and transportation for product service if your appliance is located in a remote area where service by an authorized service technician is not available
- The remove and reinstallation of your appliance if it is installed in an inaccessible location or is not installed in accordance with published installation instructions.
- Refunds for non repairable products are limited to the price paid for the unit per the sales receipt.

Limitations of Remedies and Exclusions:

Product repair in accordance with the terms herein, is your sole and exclusive remedy under this limited warranty. Any and all implied warranties including merchantability and fitness for a particular purpose are hereby limited to one year or the shortest period allowed by law. MC Appliance Corporation is not liable for incidental or consequential damages and no representative or person is authorized to assume for us any other liability in connection with the sale of this product. Under no circumstances is the consumer permitted to return this unit to the factory without the prior written consent of MC Appliance Corporation.

Some states prohibit the exclusion or limitation of incidental or consequential damages, or limitations on implied warranties. This warranty gives you specific legal rights, and you may also have other rights which vary from state to state.

Model	Parts & Labor	Magnetron (Parts Only)	Type of Service
MCD1310ST	One Year	Eight Years	Carry In

For Service or Assistance, please call 888-775-0202 or visit us on the web at www.mcappliance.com to request warranty service or order parts.



**CNA International, Inc. d/b/a MC Appliance Corporation. All rights reserved.
Magic Chef® logo is a registered trademark of CNA International, Inc.**

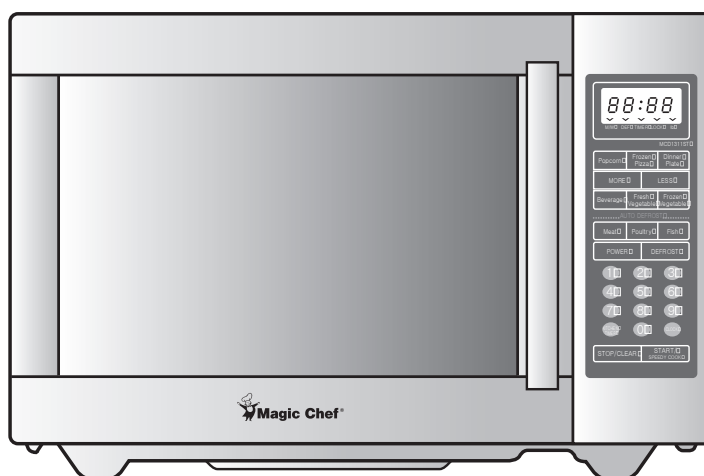
www.mcappliance.com

Printed in China



1.3 Cu. Ft. Encimera horno de microondas

Manual del usuario



Modelo MCD1310ST

LEA ESTE MANUAL ANTES DE UTILIZAR SU HORNO DE MICROONDAS Y GUÁRDELO PARA FUTURA REFERENCIA.



Registración del producto

Gracias por comprar el producto Magic Chef. El primer paso para proteger su nuevo producto es completar la forma de registración en nuestra página web: www.mcappliance/register. Los beneficios de registrar su producto incluyen lo siguiente:

1. Al registrar su producto nos permite contactarle para notificarle de un cambio de seguridad o actualización del producto.
2. Si llegara a necesitar servicio bajo garantía, registrando su producto nos permite ser más eficiente en procesar el servicio.
3. En el evento que usted tenga una pérdida que esta cubierto por un seguro, registrando su producto puede servir como prueba de su compra.

Una vez más gracias por comprar un producto marca Magic Chef.

PRECAUCIONES QUE DEBEN TENERSE PARA EVITAR QUEDAR EXPUESTO A LA ENERGIA DIRECTA DE LAS MICROONDAS

- (a) **No intente operar el horno con la puerta abierta**, ya que la operación en tal condición puede causarle un daño muy grave debido a la exposición directa con la energía de microondas. Es importante no obstruir los orificios de sujeción de los ganchos de seguridad de la puerta.
- (b) **No coloque ningún objeto entre la puerta y el gabinete**, tampoco permita la acumulación de grasa e impurezas en los orificios de sujeción de los seguros de la puerta.
- (c) **No opere el horno en caso de estar dañado**. Es de suma importancia que la puerta del horno cierre adecuadamente y que no esté floja, asimismo que las bisagras y los ganchos del seguro de la puerta no estén rotos, retorcidos o flojos. Si así fuese, acuda al centro de servicio autorizado.
- (d) **El horno deberá repararse únicamente por el personal técnico capacitado**.

TABLA DE CONTENIDOS

PRECAUCIONES.....	1	MENOS, MAS	15
INSTRUCCIONES IMPORTANTES DE SEGURIDAD.....	2	SEGURO CON BLOQUEO.....	15
DECLARACION SOBRE INTERFERENCIA DE RADIOFRECUENCIAS DE LA COMISION FEDERAL DE COMUNICACIONES (SOLO EE.UU.)	3	PARA DETENER EL HORNO MIENTRAS ESTA EN FUNCIONAMIENTO	15
INSTRUCCIONES DE CONEXION A TIERRA... 3		PRUEBA DE UTENSILIOS	16
INSTALACION	4	UTENSILIOS PARA COCINAR.....	16
ESPECIFICACIONES	5	TÉCNICAS PARA COCINAR.....	17
DIAGRAMA DE CARACTERISTICAS	6	GUÍA PARA DESCONGELAR.....	18
PROCEDIMIENTO DE OPERACION	8	TABLA DE TIEMPOS DE DESCONGELACIÓN.....	19
FUNCIONES DEL PANEL DE CONTROL... 9		TABLA DE TIEMPOS DE COCCIÓN.....	20
AJUSTE DEL RELOJ.....	9	TABLA DE TIEMPOS PARA RECALENTAR	21
DESCONGELAMIENTO POR TIEMPO... 9		MANTENIMIENTO Y CUIDADO DE SU HORNO	23
DESCONGELAMIENTO POR PESO... 10		USE SU HORNO DE MICROONDAS CON SEGURIDAD.....	24
COCINADO EN UNA ETAPA	11	PREGUNTAS Y RESPUESTAS.....	25
COCINADO EN DOS ETAPAS	11	TABLA DE CONVERSIÓN DE PESOS Y MEDIDAS	26
ALARMA/ ENCENDIDO AUTOMATICO/ TIEMPO DE REPOSO	12	ANTES DE LLAMAR PARA SOLICITAR MANTENIMIENTO.....	26
COCCIÓN RAPIDA.....	13		
COCINADO EN UN TOQUE	13		

INSTRUCCIONES IMPORTANTES DE SEGURIDAD

Cuando se usan equipos eléctricos deben seguirse ciertas reglas básicas de seguridad, incluyendo lo siguiente:

ADVERTENCIA - Para reducir el riesgo de quemaduras, electrocución, incendio, daños a personas o exposición excesiva a la energía de microondas:

1. Lea todas las Instrucciones antes de usar el equipo.
2. Lea y siga las recomendaciones en:
"PRECAUCIONES QUE DEBEN TENERSE PARA EVITAR QUEDAR EXPUESTO A LA EXCESIVA ENERGIA DE MICROONDAS" señalado en la pág. 1.
3. Este equipo debe tener una conexión de tierra, lea las "INSTRUCCIONES DE CONEXION A TIERRA", encontradas en la pág. 3.
4. Instale o coloque este aparato de acuerdo únicamente con las instrucciones de instalación proporcionadas.
5. Algunos productos los huevos tal como enteros y selló contenedores-Por ejemplo, cerró vidrio los frascos son capaz de estallar y no debe ser calentado en este horno.
6. Utilice este equipo sólo para el propósito por el cual fue diseñado, especificado en este manual. No use químicos corrosivos en este equipo. Este tipo de horno ha sido diseñado exclusivamente para calentar, cocinar o descongelar alimentos. No esta diseñado para uso industrial o de laboratorio.
7. Como en cualquier equipo se necesita la supervisión de un adulto cuando el aparato sea utilizado por niños.
8. No use el horno si tiene dañado el cable de alimentación o clavija, si funciona de manera inapropiada o si ha sufrido alguna caída.
9. Este equipo debe ser revisado, ajustado o reparado solamente por el personal autorizado de servicio técnico.
10. No cubra o bloquee ninguna salida de ventilación del equipo.
11. No almacene este aparato fuera. No utilice este producto cerca de agua- Por ejemplo, cerca de un lavaplatos, en un sótano mojado, o cerca de un estanque, o las ubicaciones semejantes.
12. No sumerja en agua el cable de alimentación o clavija.
13. Mantenga el cable de alimentación alejado de superficies calientes.
14. No deje el cable de alimentación colgado sobre el borde de la mesa o mostrador.
15. En cualquiera de los casos
 - a) Cuando se limpien las superficies que entran en contacto al cerrar la puerta, use jabones o detergentes suaves aplicados con esponja o paño suave.
 - b) Cuando las instrucciones de limpieza provengan por separado, ver las instrucciones de limpieza de las puertas en (página especificada o en la sección que esta incluida).
16. Para reducir el riesgo de fuego dentro del horno:
 - a) no recuece alimento. Asista detenidamente aparato cuando papel, el plástico, u otras materias combustibles se colocan dentro del horno para facilitar la cocina.
 - b) Quite las ataduras de alambre de las bolsas de plástico o papel antes de introducir las en el horno.
 - c) Si las materias dentro del horno encienden, mantengan puerta de horno cerró, apaga horno, y desconecta la cuerda del poder, o apagó el poder en el fusé o entrepaño de cachón de circuito.
 - d) No utilice el horno para almacenar, no deje productos de papel, utensilios de cocina o comida en el interior del horno cuando éste se encuentre sin operar.
17. No use el horno para calentar corrosivos químicos como por ejemplo: sulfatos y cloratos, los vapores de tales corrosivos pueden interactuar con los contactos y resortes de las cerraduras dañandolos de forma permanente.
18. Mantenga limpia la cubierta de la salida de microondas. Limpie el interior del horno con un trapo suave después de usarlo. Si usted deja grasa en cualquier parte de el interior del horno, ésta podría sobrecalentarse, humeando o atrapar fuego cuando el horno sea utilizado nuevamente.
19. Nunca caliente aceite o grasa para freír en el horno ya que usted no puede hacerlo y estar controlando la temperatura, estas pueden sobrecalentarse y provocar fuego.
20. Los líquidos, tal como agua, el café, o el té son capaces de ser recalentado bevond el punto hirviente sin aparecer para estar heiviéndose debido surgir la tensión del líquido. Burbujear o hervir visibles cuando el contenedor se quita del horno de la microhonda no es siempre el presente. **ESTO PODRIA TENER COMO RESULTADO LIQUIDOS MUY CALIENTES REPENTINAMENTE HERVIR SOBRE CUANDO UNA CUCHARA U OTRO UTIL se METEN EN EL LIQUIDO.** Para reducir el riesgo de inlury a personas:
 - a) No recaliente el líquido.
 - b) Bata el líquido antes de y medio por la calefacciónlo.
 - c) No utilice directamente contenedores de lados con cuellos estrechos.
 - d) El horno de la microhonda por un tiempo corto antes de quitar el contenedor.
 - e) Utilice el cuidado extremo cuando meter una cuchara u otro útil en el contenedor.

CONSERVE ESTE MANUAL DE INSTRUCCIONES

DECLARACION SOBRE INTERFERENCIA DE RADIOFRECUENCIAS DE LA COMISION FEDERAL DE COMUNICACIONES (SOLO EE.UU.)

ADVERTENCIA:

Este equipo genera y utiliza energía de frecuencia ISM, por lo que si no es instalado y utilizado apropiadamente, conforme a las instrucciones del fabricante, podría causar interferencia en la recepción de la radio y televisión.

Este producto ha sido clasificado y probado; encontrándose que satisface los términos para un equipo ISM, según la sección 18 del reglamento FCC, que está planteada para ofrecer protección apropiada contra aquella interferencia en instalaciones residenciales.

No obstante, no se garantiza que la interferencia no llegue a ocurrir en alguna instalación en particular. Si este equipo ocasiona interferencia en la recepción de radio o televisión, la cual puede suceder al momento de encender o apagar el equipo, entonces será preciso que el usuario intente corregir dicha interferencia mediante alguna de las siguientes indicaciones:

- Reoriente la antena de recepción de radio o televisión.
- Reubique el horno de microondas con respecto al receptor.
- Aleje el horno de microondas del equipo receptor.
- Conecte el horno de microondas en una toma de corriente diferente, de forma que el horno de microondas y el receptor se alimenten de distintos circuitos eléctricos.

EL FABRICANTE no es responsable por cualquier interferencia de radio o TV causada por una MODIFICACION NO AUTORIZADA al horno de microondas. Es responsabilidad del usuario corregir dicha interferencia.

INSTRUCCIONES DE CONEXION A TIERRA

Este equipo debe de estar conectado a tierra; ya que en caso de un corto circuito, el cable a tierra reduce el riesgo de sufrir una descarga eléctrica al proporcionar una trayectoria de escape a la corriente eléctrica. Por lo tanto este aparato está equipado con una clavija polarizada que contiene una terminal para la conexión a tierra, la cual debe de conectarse a un contacto que esté propiamente instalado y conectado a tierra.

ADVERTENCIA: La conexión inapropiada a tierra puede ser un factor de riesgo de sufrir una descarga eléctrica.

Consulte a un electricista calificado o al personal de servicio, si las instrucciones de instalación no son completamente entendibles o si existe alguna duda de que el equipo esté conectado adecuadamente a tierra, cuide también:

- (1) Si es necesario utilizar una extensión de corriente, entonces use únicamente extensiones de tres cables, con clavija polarizada con contacto a tierra, y que a su vez el contacto de la extensión se ajuste a la clavija del equipo. La capacidad eléctrica de la extensión debe de ser cuando menos de la misma que la del cable del horno. Así
- (2) No use una extensión de corriente si el cable suministrado está muy delgado, solicite a un electricista que le instale un contacto cerca del equipo.

INSTALACION

1. Examine el horno después de abrirlo.

Revise que no esté dañado, no tenga abolladuras, que la puerta esté alineada y que la cavidad no esté rayada o abollada. Si existe algún desperfecto visible, NO INSTALE EL HORNO y notifíquelo inmediatamente a su vendedor.

2. Superficie regular y estable.

Coloque el microondas sobre una superficie plana y estable.

3. Ventilación.

No obstruya las rejillas de ventilación. Si estas son bloqueadas durante la operación, el horno se puede calentar excesivamente y eventualmente tener alguna falla.

Para proporcionarle la adecuada ventilación, mantenga como mínimo 7 cm de espacio entre cualquier costado del horno y el lugar en donde va a instalarse.

4. Manténgalo alejado de equipos de radio y televisión.

Una mala recepción de televisión e interferencia en la radio pueden presentarse si el horno está colocado cerca de la TV, radio, antena, etc.,

Mantenga alejado el horno de microondas de estos equipos lo más que se pueda.

5. Manténgalo alejado de equipos generadores de calor y de llaves de agua.

No coloque el equipo en lugares calurosos y húmedos, para prevenir el riesgo de incendio o de sufrir una descarga eléctrica. Asimismo no lo instale cerca de la tarja.

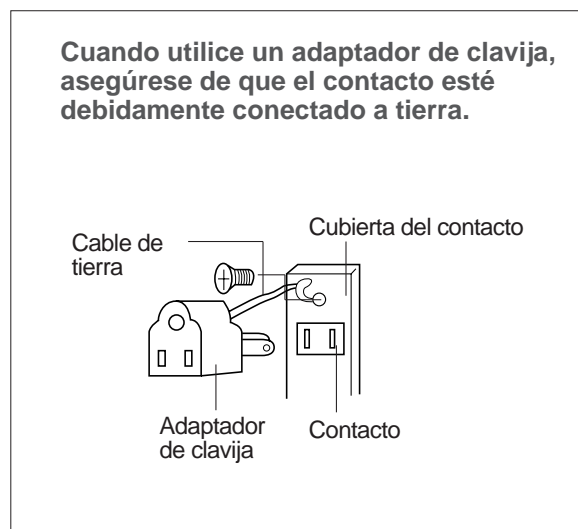
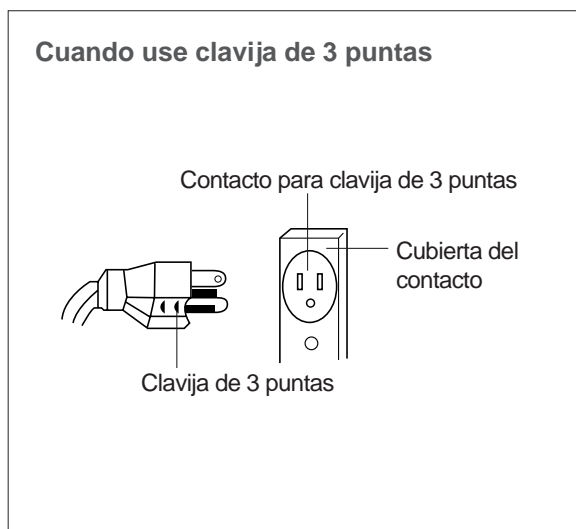
6. Suministro de Energía - Revise el voltaje de su domicilio.

Este horno de microondas requiere una corriente aproximada de 15 amperes, a 120 Voltios, 60 Hz y con contacto polarizado con conexión a tierra. Este horno tiene suministrado un cable de corriente corto; esto es con la intención de prevenir el riesgo de llegar a enredarse o tropezar con él. Se puede llegar a utilizar juegos de cable más largos o extensiones de corriente, siempre y cuando se tenga el debido cuidado en su uso.

Si se utiliza un cable largo o una extensión, entonces el rango eléctrico del cable (calibre) o de la extensión debe de ser por lo menos del mismo tipo que el usado en el horno.

El cable de extensión debe de ser del tipo de 3 conductores. El cable largo debe de acomodarse de forma que no se pueda producir un accidente, debido al tropezar o enredarse con él y a su vez de no quedar al alcance de los niños.

7. El espacio mínimo necesario que debe haber sobre la parte superior del horno es de 10 cm.



"EL REGLAMENTO ELECTRICICO CANADIENSE NO PERMITE EL USO DE ADAPTADORES DE TIERRA"

ESPECIFICACIONES

Fuente de Alimentación		120 V ~ / 60 Hz. Fase sencilla con tierra
MICROONDAS	Consumo	1500 W
	Potencia de salida de microondas	1000 W
	Frecuencia de microondas	2450 MHz
Dimensiones externas (Ancho x Alto x Fondo)		560 x 344 x 471 mm (22 x 13,5 x 18,5 pulgadas)
Dimensiones de la cavidad (Ancho x Alto x Fondo)		369 x 246 x 394 mm (14,5 x 9,7 x 15,5 pulgadas)
Peso neto		Aproximadamente 16,7 Kg (36,8 lb.)
Cronómetro		99 min. 99 seg.
Niveles de potencia		10 niveles

* Las especificaciones están sujetas a cambio sin notificación previa, por mejoras del equipo.

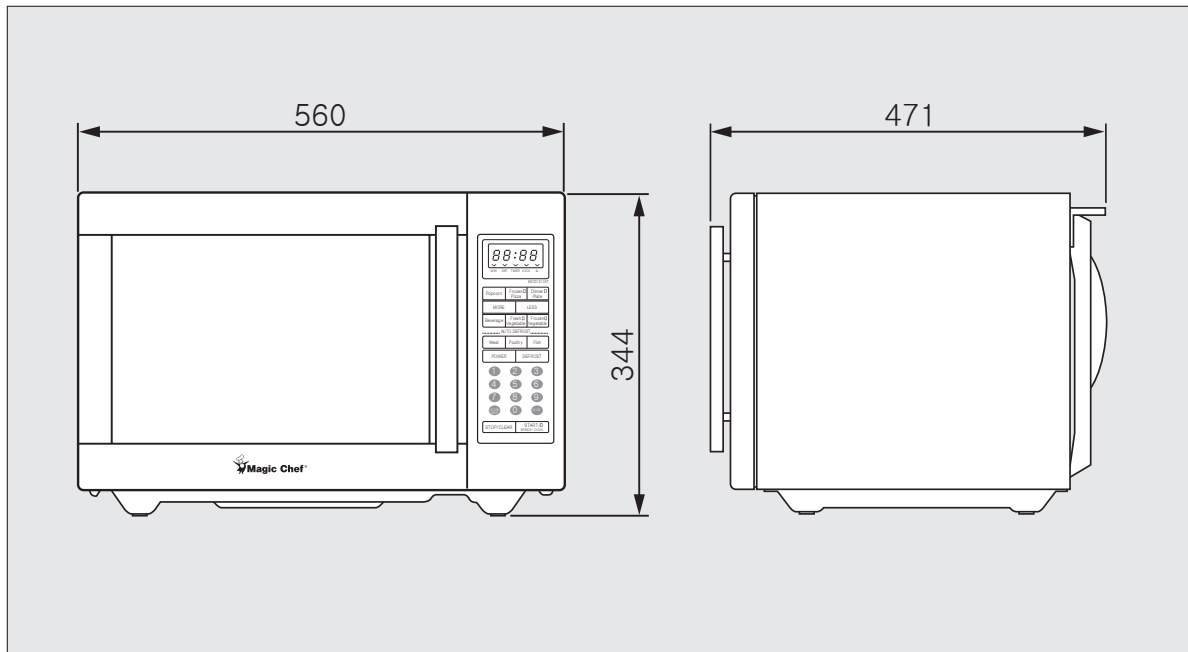
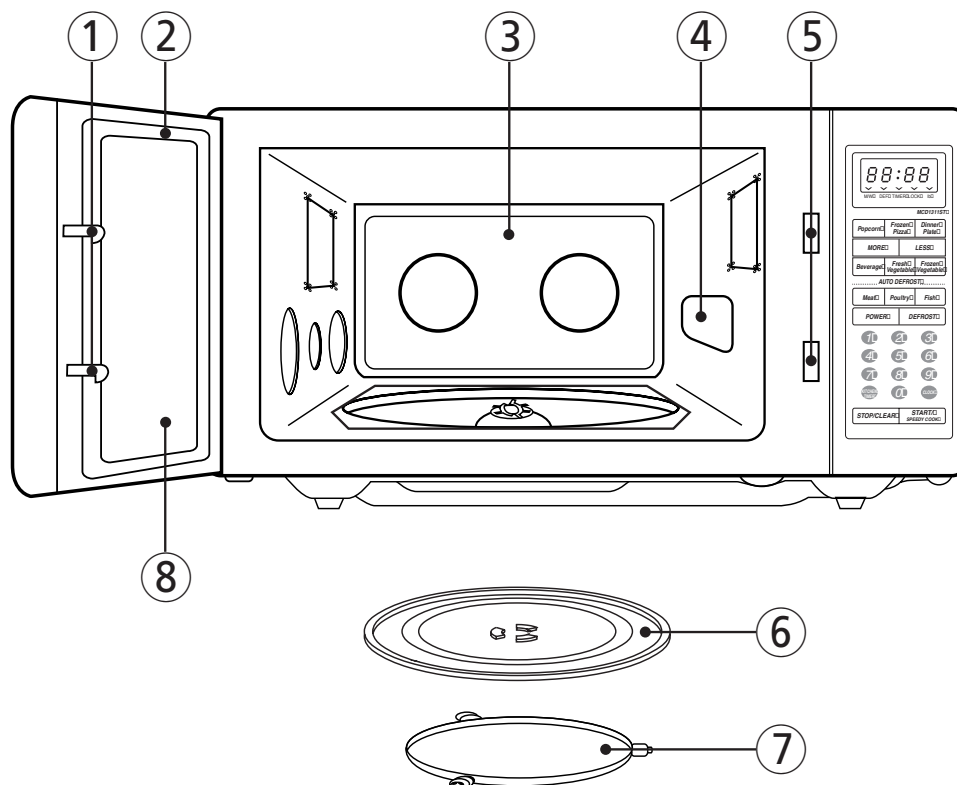


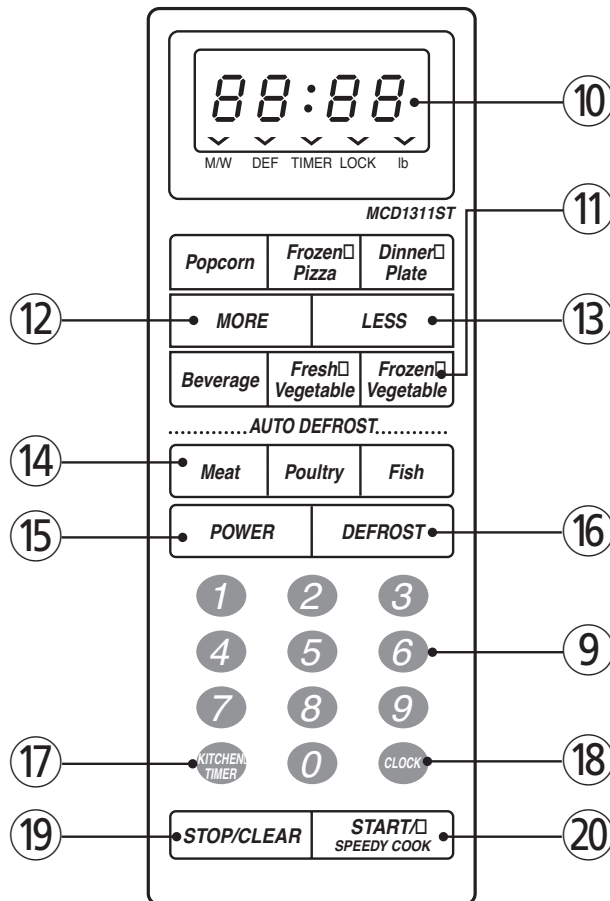
DIAGRAMA DE CARACTERÍSTICAS



- 1. Ganchos del seguro de la puerta** - Este horno funciona solamente cuando la puerta está cerrada totalmente. Si se abre la puerta, el horno deja de funcionar y de producir microondas, hasta que la puerta se vuelve a cerrar.
- 2. Sello de la puerta** - Este sello mantiene a las microondas dentro de la cavidad y asimismo previene la fuga de éstas.
- 3. Cavidad del horno**
- 4. Cubierta protectora** - Evita que la salida de las microondas se salpique cuando los alimentos se cocinan.

- 5. Sistema de sujeción con seguro** - Previene que el horno funcione mientras la puerta se encuentra abierta.
- 6. Botón de apertura** - Presionando este botón se abre la puerta y el horno deja de operar.
- 7. Plato de cristal** - Fabricado con cristal especial, resistente al calor. El plato siempre debe colocarse en su eje antes del funcionamiento. No cocine los alimentos directamente sobre el plato.
- 8. Arillo** - Sostiene al plato de cristal para que este pueda girar.

DIAGRAMA DE CARACTERÍSTICAS (CONTINUACIÓN)



- 9. Botones numéricos-** Se usan para seleccionar el tiempo de cocción de los alimentos y la hora actual.
- 10. Pantalla** - En esta pantalla se muestra la hora del reloj, así como el tiempo de cocción, nivel de potencia y demás indicaciones.
- 11. Botones de cocinado en un toque** - Son usados para cocinar o recalentar fácilmente cantidades específicas de alimentos.
- 12. Más** - Función para agregar más tiempo de cocción con un solo toque.
- 13. Menos** - Función para disminuir el tiempo de cocción con un solo toque.
- 14. Descongelado automático** - Funciones programadas para descongelar carne, pollo o pescado, según el peso.

- 15. Potencia** - Botón para establecer el nivel de potencia de cocción.
- 16. Descongelado** - Función para descongelar cualquier tipo de alimentos, mediante la indicación de tiempo.
- 17. Alarma / Com. Auto.** - Función de uso múltiple que puede utilizarse como alarma de cocina, para la adición de tiempo de reposo o como función de encendido automático.
- 18. Reloj** - Para ajustar la hora del reloj.
- 19. Parar / Borrar** - Botón usado para detener el funcionamiento del horno o para cancelar alguna indicación no deseada.
- 20. Comienzo / Cocción rápida** - Sirve para indicar que el horno comience su operación de cocinado; también se usa para efectuar el recalentado en intervalos de 30 segundos.

PROCEDIMIENTO DE OPERACION

Esta sección presenta información importante sobre el manejo del horno.

1. Revise que el suministro de energía sea monofásico de 120 V ~ / 60 Hz con conexión a tierra.
2. Ponga los alimentos en un recipiente adecuado para microondas. Después, abra la puerta del horno y coloque el recipiente sobre el plato de cristal. El plato deberá girar y permanecer en su lugar durante la cocción de los alimentos.
3. Cierre la puerta. Asegúrese que esté bien cerrada.

- 1 La luz interior se enciende solamente cuando el horno de microondas está en operación.
- 2 La puerta puede abrirse en cualquier momento aun cuando el horno esté operación; para hacerlo oprima el botón de apertura del panel. El horno se detendrá automáticamente. Para que el horno continúe operando, cierre la puerta y oprima el botón de COMIENZO.
- 3 Cada vez que oprima alguno de los botones de las funciones del panel de control, se oirá un sonido para reconocer la función.
- 4 El horno cocina automáticamente en potencia máxima, a menos que se indique algún nivel de potencia inferior.
- 5 En la pantalla se muestra la indicación " :0" tras conectar el horno en la toma de corriente.
- 6 Al término de algún proceso de cocción, en la pantalla se volverá a mostrar la hora del reloj. Cuando se oprima (una vez) la función PARAR /
- 7 BORRAR durante la operación del horno; éste suspenderá el cocinado pero conservará la información del tiempo de cocción remanente. Para eliminar toda la información (excepto de la hora actual), oprima la función PARAR / BORRAR una vez más. Si la puerta se abre durante la operación del horno, la información también se retendrá.
- 8 Si oprime el botón COMIENZO y el horno no opera, verifique que el área entre la puerta y el sello de la puerta no esté obstruida y revise que la puerta se encuentre bien cerrada. El horno no comenzará a cocinar hasta que la puerta haya cerrado completamente o que el programa de cocción haya sido seleccionado nuevamente.

Asegúrese de instalar adecuadamente el horno y verifique que se encuentre bien conectado en la toma de corriente.

TABLA DE NIVELES DE POTENCIA

- El nivel de potencia se ajusta por medio del botón de POTENCIA. La siguiente tabla muestra la indicación en la pantalla y su respectivo nivel y porcentaje de potencia.

Oprimir el botón de POTENCIA	Nivel de potencia (Indicación en la pantalla)	Porcentaje aproximado de Potencia
Una vez	P-HI	100%
Dos veces	P-90	90%
3 veces	P-80	80%
4 veces	P-70	70%
5 veces	P-60	60%
6 veces	P-50	50%
7 veces	P-40	40%
8 veces	P-30	30%
9 veces	P-20	20%
10 veces	P-10	10%
11 veces	P-00	0%

FUNCIONES DEL PANEL DE CONTROL

AJUSTE DEL RELOJ

Cuando el horno se conecte por primera vez a la toma de corriente, la pantalla digital desplegará " : 0" y se escuchará un sonido. Si la energía se suspende momentáneamente, y luego regresa, la pantalla digital volverá a desplegar " : 0".

Reloj

1. Presione el botón RELOJ. Se muestra en modo de 12 horas.

NOTA: Este horno tiene reloj con doble sistema de horario. Si usted prefiere usar el reloj con sistema de 12 horas, omita el segundo paso.

2. Presione RELOJ una vez más. El reloj cambia a modo de 24 horas.

3. Ajuste la hora del día oprimiendo los botones numéricos en secuencia.
Por ejemplo: Si desea ajustar la hora del reloj a las "11:20", oprima los botones "1", "1", "2" y "0" en éste orden.

La pantalla parpadeará mientras ajusta la hora. Si seleccionó el sistema de reloj de 12 horas, entonces podrá ajustar la hora entre la "1:00" y las "12:59". Si seleccionó el sistema de reloj de 24 horas, entonces podrá ajustar la hora entre las "0:00" y las "23:59"

Reloj

4. Presione el botón RELOJ.

Cuando presione finalmente el botón RELOJ, la pantalla dejará de parpadear y entonces el separador (:) comenzará a hacerlo.

NOTA: Si intenta ingresar un valor incorrecto o erróneo, la hora no se ajustará y se escuchará una señal de error. Oprima el botón de RELOJ y reajuste la hora.

DESCONGELAMIENTO POR TIEMPO

Cuando se elige la función DESCONGELAMIENTO POR TIEMPO, el ciclo divide automáticamente el tiempo de descongelado en periodos alternados de descongelamiento y reposo.

Descong.

1. Presione el botón DESCONG.

Aparece un indicador sobre la marca DESCONG. Mientras en la pantalla se muestra " :0".

2. Oprima los botones numéricos para ajustar el tiempo de descongelamiento deseado.

La pantalla mostrará el tiempo ajustado.

NOTA: El horno puede ajustarse hasta un intervalo máximo de 99 minutos con 99 segundos. (99:99)

3. Presione el botón COMIENZO.

Cuando presione el botón COMIENZO, el indicador sobre la marca DESCONG. comenzará a parpadear para mostrar que el horno se encuentra en la función de DESCONGELAMIENTO. Asimismo, el cronómetro en la pantalla efectuará el conteo en forma regresiva, permitiendo ver cuánto tiempo resta de descongelamiento. El horno emitirá un sonido durante el ciclo de descongelamiento, avisando cada vez que los alimentos necesiten voltearse o moverse. Cuando el tiempo de descongelar concluya, Ud. oirá 3 sonidos.

DESCONGELAMIENTO POR PESO

El DESCONGELAMIENTO POR PESO le permitirá descongelar los alimentos de forma fácil, sin tener que hacer conjeturas sobre la cantidad de tiempo requerido. Para el uso de ésta función siga los pasos que se presentan a continuación.

Carne	1. Presione el botón de CARNE.	Se muestra el valor mínimo de peso y aparece un indicador sobre la marca "grs."
	2. Oprima el botón de CARNE para ajustar el peso a descongelar. (Refiérase a la tabla de descongelamiento por peso que se encuentra abajo.)	La pantalla mostrará la cantidad ajustada.
	3. Presione el botón COMIENZO.	El DESCONGELAMIENTO PARA CARNE comienza.

Pollo	1. Presione el botón de POLLO.	Se muestra el valor mínimo de peso y aparece un indicador sobre la marca "grs."
	2. Oprima el botón de POLLO para ajustar el peso a descongelar. (Refiérase a la tabla de descongelamiento por peso que se encuentra abajo.)	La pantalla mostrará la cantidad ajustada.
	3. Presione el botón COMIENZO.	El DESCONGELAMIENTO PARA POLLO comienza.

Pescado	1. Presione el botón de PESCADO.	Se muestra el valor mínimo de peso y aparece un indicador sobre la marca "grs."
	2. Oprima el botón de PESCADO para ajustar el peso a descongelar. (Refiérase a la tabla de descongelamiento por peso que se encuentra abajo.)	La pantalla mostrará la cantidad ajustada.
	3. Presione el botón COMIENZO.	El DESCONGELAMIENTO PARA PESCADO comienza.

* TABLA DE DESCONGELAMIENTO POR PESO

Oprimir el botón	CARNE	POLLO	PESCADO
Una vez	500 gr	800 gr	300 gr
Dos veces	800 gr	1000 gr	500 gr
3 veces	1000 gr	1200 gr	800 gr
4 veces	1200 gr	1500 gr	1000 gr

El tiempo de descongelamiento se determina automáticamente según el peso seleccionado. Cuando presione el botón COMIENZO, el indicador sobre la marca "grs." cambiará de lugar sobre la indicación DESCONG. Mientras el conteo del tiempo de descongelado se muestra en la pantalla. Durante el ciclo de descongelamiento el horno emitirá un sonido, avisando cada vez que los alimentos necesiten voltearse o moverse. Cuando el tiempo de descongelar concluya, Ud. oirá 3 sonidos.

COCINADO EN UNA ETAPA

- | | | | |
|----------|-----|--|---|
| Potencia | X 6 | 1. Presione el botón POTENCIA.
(Ajuste el nivel de potencia deseado.) | Aparece un indicador sobre la marca MWO.
La pantalla mostrará el nivel ajustado.
Este ejemplo muestra el nivel de potencia al 50%. (P - 50) |
| | | | NOTA : Si se omite el paso número 1, entonces el horno cocinará a la potencia máxima. |
| | | | La pantalla mostrará el tiempo ajustado. |
| | | | NOTA : El tiempo del horno puede ajustarse hasta un intervalo máximo de 99 minutos con 99 segundos. (99:99) |
| | | | La pantalla mostrará el tiempo ajustado. |

Cuando presione el botón COMIENZO, el indicador de MWO comenzará a parpadear para mostrar que el horno se encuentra en la función de cocinado por microondas.
El cronómetro en la pantalla realizará el conteo en forma regresiva, permitiendo ver el tiempo restante de cocinado.
Cuando el tiempo de cocción concluya, Ud. oír 3 sonidos. En la pantalla se mostrará nuevamente la hora del reloj.

NOTA: Al utilizar los niveles de potencia más bajos se debe aumentar el tiempo de cocción, esto es recomendable para alimentos tales como: queso y leche, asimismo para el cocinado lento de carnes.

COCINADO EN DOS ETAPAS

Todas las recetas requieren que los alimentos congelados sean descongelados antes de cocinarlos. Este horno puede programarse para descongelar automáticamente los alimentos antes de cocinarlos.

- | | | | |
|----------|-----|--|---|
| Descong. | X 6 | 1. Presione el botón DESCONG. | Aparece un indicador sobre la marca DESCONG.
Mientras en la pantalla se muestra " :0". |
| | | | La pantalla mostrará el tiempo ajustado. |
| Potencia | X 6 | 3. Presione el botón POTENCIA.
(Ajuste el nivel de potencia deseado.) | Aparece un indicador sobre la marca MWO.
La pantalla mostrará el nivel ajustado.
Este ejemplo muestra el nivel de potencia al 50%. (P - 50) |
| | | | La pantalla mostrará el tiempo ajustado. |

Cuando presione el botón COMIENZO, el indicador sobre la marca DESCONG. comenzará a parpadear para mostrar que el horno se encuentra en la función de DESCONGELAMIENTO.
El cronómetro en la pantalla efectuará el conteo en forma regresiva. Usted deberá voltear, mover y/o separar los alimentos cuando el horno emita un sonido durante el descongelamiento. Cuando el tiempo de descongelado concluya, el horno emitirá un sonido y empezará el cocinado por microondas. El indicador de DESCONG. se apagará mientras que el de MWO se encenderá parpadear. El cronómetro en la pantalla efectuará el conteo en forma regresiva. Cuando el ciclo de cocinado termine Ud. oír 3 sonidos.

ALARMA / ENCENDIDO AUTOMATICO / TIEMPO DE REPOSO

Esta función de cronómetro puede utilizarse como alarma; para ajustar el tiempo de espera en el encendido automático o para agregar algún tiempo de reposo después de la cocción. Cabe señalar que el cronómetro de encendido automático no puede programarse junto con el descongelamiento. Esta función trabaja sin generar energía de microondas.

PARA UTILIZAR LA FUNCION COMO: ALARMA DE TIEMPO

Alarma /
Com. Auto.

1. Presione el botón:
ALARMA / COM. AUTO.

Aparece un indicador sobre la marca CRONOM.
Mientras en la pantalla se muestra “:0”.

2. Indique el tiempo que desea para el conteo regresivo. La pantalla mostrará el tiempo ajustado.
3. Presione el botón COMIENZO.

Cuando presione el botón COMIENZO, el indicador CRONOM. comenzará a parpadear y el cronómetro en la pantalla realizará el conteo en forma regresiva para la ALARMA DE TIEMPO. Cuando el conteo concluya, Ud. escuchará 3 sonidos.

PARA UTILIZAR LA FUNCION COMO: ENCENDIDO AUTOMATICO

Alarma /
Com. Auto.

1. Presione el botón:
ALARMA / COM. AUTO.

Aparece un indicador sobre la marca CRONOM.
Mientras en la pantalla se muestra “:0”.

2. Indique la cantidad de tiempo en espera que desee para el encendido automático. La pantalla mostrará el tiempo ajustado.
3. Ajuste el nivel de potencia y el tiempo de cocción requeridos para la cocción de los alimentos. Aparece un indicador sobre la marca MWO. La pantalla mostrará el nivel de potencia y el tiempo de cocción ajustados.
4. Presione el botón COMIENZO.

Cuando presione el botón COMIENZO, el indicador CRONOM. comenzará a parpadear y el cronómetro en la pantalla realizará el conteo regresivo para el ENCENDIDO AUTOMATICO. Cuando el conteo concluya, Ud. escuchará un sonido. El indicador de CRONOM. se apagará y el de MWO comenzará a parpadear, en este momento iniciará la cocción de los alimentos. El cronómetro en la pantalla realizará el conteo regresivamente, permitiendo ver el tiempo restante de cocinado. Cuando el tiempo de cocción concluya, Ud. oirá 3 sonidos.

PARA UTILIZAR LA FUNCION COMO: TIEMPO DE REPOSO

1. Ajuste el nivel de potencia y el tiempo de cocción requeridos para la cocción de los alimentos. Aparece un indicador sobre la marca MWO. La pantalla mostrará el nivel de potencia y el tiempo de cocción ajustados.

Alarma /
Com. Auto.

2. Presione el botón:
ALARMA / COM. AUTO.

Aparece un indicador sobre la marca CRONOM.
Mientras en la pantalla se muestra “:0”.

3. Indique la cantidad de tiempo que desee para el reposo de los alimentos. La pantalla mostrará el tiempo ajustado.
4. Presione el botón COMIENZO.

Cuando presione el botón COMIENZO, el indicador MWO comenzará a parpadear y el de CRONOM. se encenderá, mientras se realiza la cocción de los alimentos. Cuando finalice la cocción, el horno emitirá un sonido. El indicador de MWO se apagará y el de CRONOM. comenzará a parpadear. El cronómetro en la pantalla realizará el conteo en forma regresiva mientras transcurre el TIEMPO DE REPOSO, al término de éste Ud. oirá 3 sonidos. El ventilador opera durante el tiempo de reposo para extraer el vapor de los alimentos.

NOTS : El cronómetro puede ajustarse hasta un intervalo de 99 minutos con 99 segundos. (99:99)

COCCION RAPIDA

Esta función le permitirá recalentar por 30 segundos al 100% (máxima potencia) de forma fácil, con sólo oprimir el botón COMIENZO / COCCION RAPIDA.

Asimismo, presionando repetidamente este botón, usted podrá extender el tiempo de recalentado hasta cinco minutos en intervalos de 30 segundos.

Cocción Rápida

1. Presione el botón COMIENZO / COCCION RAPIDA.

Cuando presione el botón COCCION RAPIDA, en la pantalla aparecerá “:30”
Inmediatamente el horno empezará a recalentar.

COCINADO EN UN TOQUE

Con presionar simplemente un botón. Ud. podrá cocinar o recalentar muchos de sus alimentos favoritos. Para aumentar la cantidad, presione nuevamente el botón hasta que la cantidad de cocción deseada aparezca en la pantalla digital. (Con excepción de PALOMITAS)

Palomitas

1. Presione el botón PALOMITAS para un paquete de 99 gr.

Cuando presione el botón PALOMITAS, la pantalla mostrará “99”.
Después de 1.5 segundos, la pantalla mostrará el tiempo de cocción y el horno empezará a operar.

- NOTA:**
1. Utilice paquetes de palomitas especiales para horno de microondas.
 2. Coloque la bolsa en el horno según las instrucciones del fabricante.
 3. Coloque una sola bolsa de palomitas a la vez en el horno.
 4. Después de estallar, abra cuidadosamente la bolsa, las palomitas y el vapor están sumamente calientes.
 5. No recaliente el maíz sobrante, ni use la misma bolsa.
 6. No saque la bolsa de palomitas mientras éstas estén estallando.
 7. No deje que el horno funcione sin supervisión.

PRECAUCION: Si el paquete de palomitas es de un peso diferente el programado en la opción, entonces no use el botón de PALOMITAS. Siga las instrucciones del fabricante.

Pizza

1. Presione una vez el botón PIZZA para un paquete de 200 gr o dos veces para un paquete de 400 gr.

Cuando presione una vez el botón PIZZA, la pantalla mostrará “200”. Si oprime una vez más mostrará “400”.
Después de 1.5 segundos, la pantalla mostrará el tiempo de cocción y el horno empezará a operar.

* PIZZA CONGELADA *

- 200gr : Oprima PIZZA una vez.
- 400gr : Oprima PIZZA dos veces seguidas (dentro de 1,5 segundos)

- NOTA:**
1. Coloque una sola pizza a la vez en el horno.
 2. Coloque solo pizzas elaboradas para horno de microondas.
 3. Si el queso de la pizza congelada no se derrite lo suficiente, cocínela algunos segundos más.
 4. Algunas marcas de pizza congelada pueden requerir menor o mayor tiempo de cocción.

COCINADO EN UN TOQUE (continuación)

Plato de cena

1. Presione una vez el botón PLATO DE CENA para una porción de 350 gr o dos veces para una porción de 430 gr.

Cuando presione una vez el botón PLATO DE CENA, la pantalla mostrará "350". Si oprime otra vez mostrará "430". Después de 1.5 segundos, la pantalla mostrará el tiempo de cocción y el horno empezará a operar.

* PLATO DE CENA *

- 350 gr : Oprima PLATO DE CENA una vez.
- 430 gr : Oprima PLATO DE CENA dos veces seguidas (dentro de 1,5 segundos)

Bebidas

1. Presione una vez el botón BEBIDAS para 1 taza, dos veces para 2 tazas o tres veces para 3 tazas.

Cuando presione una vez el botón BEBIDAS, la pantalla mostrará "1". Si oprime más veces mostrará "2" ó "3". Después de 1.5 segundos, la pantalla mostrará el tiempo de cocción y el horno empezará a operar.

* BEBIDAS * (Tazas de 200 ml)

- 1 Taza : Oprima BEBIDAS una vez.
- 2 Tazas : Oprima BEBIDAS dos veces seguidas (dentro de 1,5 segundos)
- 3 Tazas : Oprima BEBIDAS tres veces seguidas (dentro de 1,5 segundos)

Vegetales frescos

1. Corte y lave los vegetales. Colóquelos en un recipiente redondo. Agregue un poco de agua.
2. Presione una vez el botón VEGETALES FRESCOS para una porción de 200 gr o dos veces para una porción de 400 gr.

Cuando presione una vez el botón VEGETALES FRESCOS, la pantalla mostrará "200". Si oprime otra vez mostrará "400". Después de 1.5 segundos, la pantalla mostrará el tiempo de cocción y el horno empezará a operar.

* VEGETALES FRESCOS *

- 200 gr : Oprima VEGETALES FRESCOS una vez.
- 400 gr : Oprima VEGETALES FRESCOS dos veces seguidas (dentro de 1,5 segundos)

Vegetales congelados

1. Coloque los vegetales en un recipiente redondo. Agregue un poco de agua.
2. Presione una vez el botón VEGETALES CONGELADOS para una porción de 200 gr o dos veces para una porción de 400 gr.

Cuando presione una vez el botón VEGETALES CONGELADOS, la pantalla mostrará "200". Si oprime otra vez mostrará "400". Después de 1.5 segundos, la pantalla mostrará el tiempo de cocción y el horno empezará a operar.

* VEGETALES CONGELADOS *

- 200 gr : Oprima VEGETALES CONGELADOS una vez.
- 400 gr : Oprima VEGETALES CONGELADOS dos veces seguidas (dentro de 1,5 segundos)

MENOS, MAS

Utilice los botones MENOS o MÁS para ajustar el tiempo de cocción mientras el horno se encuentra en operación de cocinado en una etapa, cocinado en un toque o cocinado automático. (Esta función no opera durante el descongelamiento)

Oprima el botón MENOS / MÁS para disminuir / aumentar en intervalos de 10 segundos el tiempo de cocción, mientras se efectúa el cocinado en los modos de “cocinado en un toque” o “cocinado automático”.

Oprima el botón MENOS / MAS para disminuir / aumentar en intervalos de 1 minuto el tiempo de cocción, mientras se efectúa el cocinado en el modo de “cocinado en una etapa”.

En cualquiera de los modos, el tiempo puede aumentarse hasta el máximo de 59 minutos.

SEGURO CON BLOQUEO

El seguro con bloqueo previene el uso indebido del horno como podría serlo por niños pequeños. Para ajustarlo, presione y mantenga oprimido el botón PARAR / BORRAR durante 3 segundos, hasta que se escuche un sonido y se ilumine la indicación “SEGURO”.

Para cancelar el bloqueo, presione y mantenga oprimido el botón PARAR / BORRAR durante 3 segundos, hasta que se escuche un sonido de aviso y desaparezca el indicador de “SEGURO”.

PARA DETENER EL HORNO MIENTRAS ESTA EN FUNCIONAMIENTO

1. Presione el botón PARAR / BORRAR.
 - El horno se detiene, conservando el tiempo restante de cocinado. Usted puede reiniciar el horno con sólo presionar COMIENZO.
 - Presione PARAR / BORRAR una vez más para borrar todas las instrucciones. Entonces usted puede ajustar nuevas instrucciones de operación.
 2. Abra la puerta presionando el botón de apertura.
 - Usted puede reiniciar el horno cerrando la puerta y oprimiendo el botón COMIENZO.
-

NOTA: El horno dejará de operar cada vez que se abra la puerta

PRUEBA DE UTENSILIOS

La vajilla que no absorbe la energía de las microondas es la mejor para cocinar de esta forma. Consulte la etiqueta de las tazas, vasos y platos para verificar que realmente sean apropiados, especialmente cuando se trata de utensilios de papel o cartón. Si usted no está seguro, haga esta prueba para verificar los utensilios.

- Coloque el utensilio vacío dentro del horno de microondas.
- Coloque una taza de agua en un vaso medidor, al lado del utensilio vacío.
- Caliente en P-HI durante un minuto
- Después de un minuto, el agua debe estar caliente, no así el utensilio. Si éste se calienta, no es apropiado para cocinar con microondas.

UTENSILIOS PARA COCINAR

Se recomienda el uso de:

- Recipientes y platos de vidrio y vitrocerámica: Utilícelos para calentar o cocinar.
- Platos para dorar en microondas: Utilícelos para dorar la parte externa de porciones pequeñas como filetes, chuletas o panqueques. Siga las instrucciones incluidas en el plato para dorar.
- Envoltura plástica para microondas: Utilícela para conservar la humedad de los alimentos. Deje una pequeña abertura para que salga un poco de vapor y evite ponerla directamente sobre los alimentos.
- Papel encerado: Utilícelo como cubierta para evitar los derrames.
- Toallas y servilletas de papel: Utilícelas para calentar brevemente y para cubrir; absorben el exceso de humedad y previenen los derrames. No utilice toallas de papel reciclado, ya que pueden contener metal y pueden incendiarse.
- Termómetros: Utilice sólo los que tengan la etiqueta de "Seguro para su uso en microondas" (Microwave safe) y siga todas las instrucciones. Verifique la temperatura de los alimentos en varios lugares. Se pueden utilizar termómetros normales una vez que se ha retirado la comida del horno.

Limite el uso de:

- Papel aluminio: Utilice tiras delgadas de papel aluminio para evitar el cocimiento excesivo de las áreas expuestas. Si utiliza demasiado papel aluminio puede dañar su horno, así es que tenga cuidado.
- Cerámica, porcelana y loza (stoneware): Úselos si están marcados como "Seguro para su uso en microondas". Si no tienen esta etiqueta, pruébelos para asegurarse de que se pueden utilizar con seguridad. Nunca utilice platos con bordes metálicos.
- Plástico: Úselo sólo si está marcado como "Seguro para su uso en microondas". Otros plásticos pueden fundirse.
- Paja, mimbre y madera: Utilícelos solamente para calentar brevemente, ya que pueden ser inflamables.

No se recomienda el uso de:

- Frascos y botellas de vidrio: El vidrio normal es demasiado delgado para usarlo en un microondas y puede romperse o astillarse.
- Bolsas de papel: Representan un riesgo de incendio, excepto las bolsas de palomitas de maíz que están diseñadas para su uso en microondas.
- Platos y vasos de espuma plástica (unicel): Se pueden fundir y dejar residuos dañinos en los alimentos.
- Recipientes de plástico para almacenar alimentos: Los recipientes plásticos, tales como las "tinas" para margarina, pueden fundirse en el microondas.
- Utensilios de metal: Pueden dañar su horno. Retire todos los artículos y pedazos de metal antes de cocinar.

TÉCNICAS PARA COCINAR

Revolver

Revuelva los platillos guisados y las verduras mientras se estén cocinando, para distribuir el calor de manera uniforme. La comida que se queda en el borde del recipiente absorbe más energía y se calienta con mayor rapidez, por lo que debe revolver del borde hacia adentro. El horno se apagará cuando abra la puerta para revolver la comida.

Colocación de los alimentos

Coloque los alimentos de formas irregulares, como las piezas de pollo o las chuletas, con la parte más gruesa y más carnosa hacia la parte exterior del plato giratorio, en donde recibirán más energía de microondas. Coloque las partes delgadas o delicadas hacia el centro del plato giratorio, para evitar cocinarlas en exceso.

Proteger

Proteja los alimentos con tiras delgadas de papel aluminio, para prevenir el cocinarlos en exceso. Las áreas que necesitan protección son las puntas de las alas de las aves, el extremo de sus piernas y las esquinas de los recipientes cuadrados para hornear. Utilice solamente pequeñas cantidades de papel aluminio. Si usa mayor cantidad puede dañar su horno.

Dar vuelta

Dé vuelta a los alimentos a la mitad de su cocimiento para exponer todas sus partes a la energía de las microondas. Esto es especialmente importante cuando se trata de alimentos grandes, como los asados.

Dejar reposar

Los alimentos que se cocinan en el microondas almacenan calor internamente y siguen cocinándose durante algunos minutos después de que se ha apagado el horno. Permita que los alimentos reposen hasta que completen su cocimiento, especialmente platillos tales como los asados y las verduras enteras. Los asados necesitan este tiempo para terminar de cocerse en el centro sin que el exterior se cocine en exceso. Todos los líquidos, como las sopas o el chocolate caliente, deben agitarse o revolverse cuando se haya completado su cocción. Permita que los líquidos reposen un momento antes de servirlos. Cuando caliente comida para bebé, revuélvala bien y pruebe la temperatura antes de servirla.

Agregar humedad

Las moléculas de agua atraen la energía de las microondas. Usted debe cubrir los alimentos que tienen un contenido irregular de humedad, o permita que reposen para que el calor se disperse de manera regular. Agregue una pequeña cantidad de agua a los alimentos secos, para ayudar a su cocción.

GUÍA PARA DESCONGELAR

INFORMACIÓN GENERAL

- ⇒ Coloque los alimentos en una parrilla para microondas (asados, piezas con hueso) o en una cacerola para microondas (piezas pequeñas, como cubitos o tiras), o péselas en casa con una pesa de cocina. Redondee el número a décimos de libra más cercanos y aplique esa cantidad al utilizar el botón o almohadilla de ajuste del microondas.
- ⇒ La forma de las piezas, especialmente de las más grandes, afectará el modo en que se descongelan. Siempre verifique su estado después del tiempo de reposo. El pescado, los mariscos y las aves deben estar aún ligeramente congelados en el centro; póngalos bajo el chorro de agua fría para acabar de descongelarlos. Si se necesita más tiempo, utilice DEFROST (descongelar) por tiempo para agregar segundos en incrementos pequeños.
- ⇒ A la mitad del proceso de descongelación, una serie de tonos (o bips) le indicará que es el momento de cambiar la posición de la pieza que se está descongelando. Esto significa voltear o girar la pieza, separar las piezas o secciones descongeladas, o proteger porciones.
- ⇒ Proteger significa utilizar una tira de papel aluminio de 2 pulgadas para proteger las partes más delgadas o de forma irregular, para que no empiecen a cocinarse. La energía de las microondas no penetrará el papel aluminio. Existen algunas reglas para el uso del papel aluminio:
No deje que las piezas de aluminio se toquen entre sí o toquen los lados del horno.
Asegúrese de que todos los extremos estén doblados hacia abajo y permanezcan planos sobre los alimentos.
Recuerde ajustar el papel aluminio cuando voltee la pieza y cúbralo con papel encerado.
- ⇒ Para preparar alimentos para guardarlos en el congelador (y luego poder descongelarlos), envuélvalos de manera apretada con material de empaque a prueba de humedad. Si utiliza bolsas de plástico para congelador, asegúrese de sacar todo el aire para evitar que el congelador altere la forma de los alimentos o el empaque. Empaque de forma que los alimentos tengan una forma tan regular como sea posible, para facilitar su descongelación.

TABLA DE TIEMPOS DE DESCONGELACIÓN

Artículo y peso	Tiempo de descongelación	Tiempo de reposo	Técnicas especiales
CARNE DE RES Carne molida de res 454g (1 lb.)	7 a 9 minutos	5 a 7 minutos	Sepárela en trozos y retire las porciones descongeladas con un tenedor.
Carne para estofado 681 (1 ¹ / ₂ lbs.)	8 a 10 minutos	5 a 7 minutos	Separe una vez y vuélvala a colocar cambiando los trozos de lugar.
Carne para asado 907g (2 lbs.)	12 a 15 minutos	7 a 10 minutos	Voltee después de que haya transcurrido la mitad del tiempo. Proteja como sea necesario.
Carne para hamburguesas (4 porciones) (113g (4 oz.))	5 a 6 minutos	5 a 7 minutos	Voltee después de que haya transcurrido la mitad del tiempo.
CARNE DE CERDO Lomo para asado 907g (2 lbs.)	12 a 14 minutos	7 a 10 minutos	Voltee después de que haya transcurrido la mitad del tiempo. Proteja como sea necesario.
Costillas 454g (1 lb.)	5 a 6 minutos	5 a 7 minutos	Separe una vez y vuélvala a colocar cambiando los trozos de lugar.
Chuletas (4 piezas) (142 g (5 oz))	5 a 7 minutos	5 a 7 minutos	Separe y dé la vuelta una vez.
Carne molida 454g (1 lb.)	6 a 8 minutos	5 a 7 minutos	Sepárela y retire las porciones descongeladas con un tenedor.
AVES Pollo entero 1134g (2 ¹ / ₂ lbs.)	16 a 18 minutos	10 a 15 minutos	Ponga hacia abajo el lado de la pechuga. Voltéelo después de que haya transcurrido la mitad del tiempo. Proteja como sea necesario.
Pechugas de pollo 454g (1 lb.)	6 a 8 minutos	5 a 7 minutos	Separe una vez y vuélvalas a colocar cambiando los trozos de lugar.
Pollo para freír (cortado) 907 g (2 lb)	9 a 11 minutos	7 a 10 minutos	Separe una vez y vuélvalo a colocar cambiando los trozos de lugar.
Muslos de pollo 681g (1 ¹ / ₂ lbs.)	8 a 12 minutos	5 a 7 minutos	Separe una vez y vuélvalos a colocar cambiando los trozos de lugar.
PESCADOS Y MARISCOS Pescado entero 454g (1 lb.)	4 a 5 minutos	5 a 7 minutos	Voltee después de que haya transcurrido la mitad del tiempo. Proteja como sea necesario.
Filetes de pescado 681g (1 ¹ / ₂ lb.)	5 a 7 minutos	5 a 7 minutos	Separe y dé la vuelta una vez.
Camarones 227g (1/2 lb.)	2 a 3 minutos	5 a 7 minutos	Separe una vez y vuélvalos a colocar cambiándolos de lugar.

* Los tiempos son aproximados, ya que las temperaturas de los congeladores varían.

TABLA DE TIEMPOS DE COCCIÓN

CARNE			TIEMPO DE COCCIÓN POR LIBRA
TIPO	NIVEL		
Carne de res			
Costilla rodada - Poco cocida	P-80		7 a 9 minutos
- Término medio	P-80		8 a 10 minutos
- Bien cocida	P-80		10 a 12 minutos
Carne molida (para dorarla para un guisado)	P-HI		4 a 6 minutos
Hamburguesas, frescas o descongeladas (4 oz cada una)			
2 piezas	P-HI		2 a 4 minutos
4 piezas	P-HI		3 a 5 minutos
Carne de cerdo			
Lomo, pierna	P-80		10 a 12 minutos
Tocino			
4 rebanadas	P-HI		1 a 2 minutos
6 rebanadas	P-HI		2 a 3 minutos

NOTA: Los tiempos mencionados sólo deben considerarse como guía. Las diferencias dependerán de los gustos y preferencias individuales. También pueden variar debido a la forma, corte y composición de la carne.

AVES

TIPO	NIVEL	TIEMPO DE COCCIÓN POR LIBRA
Pollo		
Entero	P-HI	6-8 min.
Pechuga (con hueso)	P-80	5-7 min.
Porciones	P-80	6-8 min.
Pavo		
Entero	P-HI	9-11 min.

NOTA: Los tiempos mencionados sólo deben considerarse como guía. Las diferencias dependerán de los gustos y preferencias individuales. También pueden variar debido a la forma, corte y composición de los alimentos.

PESCADO FRESCO

TIPO	NIVEL	TIEMPO DE COCCIÓN POR LIBRA	MÉTODO	TIEMPO DE REPOSO
Filetes de pescado	P-HI	3 a 5 minutos	Agregue de 15 a 30 ml (1 a 2 cucharaditas)	2 a 3 minutos
Caballa entera, limpia y preparada	P-HI	3 a 5 minutos	-	3 a 4 minutos
Trucha entera, limpia y preparada	P-HI	4 a 6 minutos	-	3 a 4 minutos
Rebanadas de salmón	P-HI	4 a 6 minutos	Agregue de 15 a 30 ml (1 a 2 cucharaditas)	3 a 4 minutos

VERDURAS

TIPO	NIVEL	PREPARACIÓN	CANTIDAD	TIEMPO DE COCCIÓN	TIEMPO DE REPOSO
Alcachofas frescas	P-HI	Enteras	4 (de 8 oz cada una)	6 a 8 minutos	5 minutos
Alcachofas congeladas	P-HI	Corazones	250 g (paquete de 9 oz)	7 a 9 minutos	5 minutos

VERDURAS					
TIPO	NIVEL	PREPARACIÓN	CANTIDAD	TIEMPO DE COCCIÓN	TIEMPO DE REPOSO
Espárragos frescos	P-HI	Pedazos de 1 1/2-in. pulgadas	500g(1 lb)	4 a 6 minutos	3 minutos
Espárragos congelados	P-HI	Tallos completos	280g (paquete de 10 oz)	5 a 7 minutos	3 minutos
Brócoli fresco	P-HI	Tallos	500g(1 lb)	4 a 6 minutos	-
Brócoli congelado	P-HI	Entero o cortado	280g (paquete de 10 oz)	5 a 7 minutos	3 minutos
Colecitas de Bruselas frescas	P-HI	Enteras	280g (paquete de 10 oz)	4 a 6 minutos	-
Colecitas de Bruselas congeladas	P-HI	Enteras	280g (paquete de 10 oz)	5 a 7 minutos	3 minutos
Zanahorias frescas	P-HI	Rebanadas de 1/2 pulg.	500g(1 lb.)	5 a 7 minutos	3 minutos
Zanahorias congeladas	P-HI	Rebanadas	280g (paquete de 10 oz)	3 a 4 minutos	3 minutos
Coliflor congelada	P-HI	Floretes	280g (paquete de 10 oz)	3 a 4 minutos	3 minutos
Apio fresco	P-HI	Rebanadas de 1/2 pulg.	500g(1 lb)	4 a 6 minutos	3 minutos
Maíz fresco	P-HI	En mazorca, descascarado	4 mazorcas	6 a 8 minutos	3 minutos
Maíz congelado	P-HI	En mazorca, descascarado	4 mazorcas	6 a 8 minutos	3 minutos
	P-HI	Granos completos	280g (paquete de 10 oz)	4 a 6 minutos	3 minutos
Berenjena fresca	P-HI	Cortada en cubos	500g(1 lb)	4 a 6 minutos	3 minutos
	P-HI	Entera, perforada	500 a 700 g (1 a 1 1/2 lb)	5 a 7 minutos	5 minutos
Puerros frescos	P-HI	Enteros o extremos	500g(1 lb)	5 a 7 minutos	5 minutos
Frijoles congelados	P-HI	Enteros	280g (paquete de 10 oz)	4 a 6 minutos	3 minutos
Verduras mixtas congeladas	P-HI	-	280g (paquete de 10 oz)	4 a 6 minutos	3 minutos
Hongos frescos	P-HI	Rebanados	500g(1 lb)	3 a 4 minutos	3 minutos
Okra (quingombó) congelada	P-HI	Rebanadas	280g (paquete de 10 oz)	4 a 6 minutos	5 minutos
Cebollas frescas	P-HI	Enteras y peladas	8 a 10 de tamaño pequeño	6 a 8 minutos	5 minutos
Vainas de chícharos, congeladas	P-HI	Enteras	170 g (paquete de 6 oz)	3 a 4 minutos	3 minutos
Chícharos y zanahorias	P-HI	-	280g (paquete de 10 oz)	3 a 4 minutos	3 minutos
Pastinaca fresca	P-HI	Cortada en cubos	500g(1 lb)	5 a 7 minutos	5 minutos
Papas frescas, blancas o dulces	P-HI	Enteras	4 (de 6 oz cada una)	12 a 14 minutos	3 minutos
	P-HI	Enteras	8 (de 6 oz cada una)	13 a 15 minutos	5 minutos
Calabaza de verano fresca	P-HI	Rebanadas de 1/2 pulg.	500g(1 lb)	4 a 6 minutos	3 minutos
Calabaza de verano congelada	P-HI	Rebanada	280g (paquete de 10 oz)	4 a 6 minutos	3 minutos
Calabaza de invierno fresca	P-HI	Entera, perforada	700g(1 1/2lbs.)	8 a 10 minutos	5 minutos
Calabaza de invierno congelada	P-HI	Batida	340 g (paquete de 12 oz)	6 a 8 minutos	3 minutos
Succotash congelado	P-HI	-	280g (paquete de 10 oz)	4 a 6 minutos	3 minutos
Nabos	P-HI	Cortado en cubos	4 tazas	6 a 8 minutos	3 minutos

TABLA DE TIEMPOS PARA RECALENTAR

ALIMENTO	CANTIDAD	NIVEL	TIEMPO DE COCCIÓN	SPECIAL INSTRUCCION
Entradas (bocadillos)	2 porciones	P-HI	2 a 4 minutos	Caliente 12 piezas al mismo tiempo sobre un plato de cartón cubierto con toallas de papel, o en la rejilla para asar del horno de microondas.
Platillo para el desayuno	110 a 140 g (4 a 5 oz)	P-HI	2 a 4 minutos	Si el recipiente tiene 3/4 de pulgada de profundidad, retire la cubierta de papel aluminio y vuelva a colocar la charola de aluminio en la caja original. Para recipientes de mayor profundidad, ponga la comida en un recipiente de vidrio de tamaño similar, caliente tapado. Si no tiene costra revuelva ocasionalmente.
Platillo principal	250 g (8 a 9 oz)	P-HI	8 a 10 minutos	
Cena congelada de tamaño normal	600 g (21 oz)	P-HI	12 a 15 minutos	
Cena congelada de tamaño grande	300 g (11 oz)	P-HI	6 a 8 minutos	
	480 g (17 oz)	P-HI	8 a 10 minutos	

ALIMENTO	CANTIDAD	NIVEL	TIEMPO DE COCCIÓN	SPECIAL INSTRUCTION
Pollo frito	2 piezas	P-HI	2 a 4 minutos	Coloque sobre un plato de cartón cubierto con servilletas de papel.
	4 piezas	P-HI	3 a 5 minutos	
	6 piezas	P-HI	4 a 6 minutos	
Filetes fritos frescos	2 filetes	P-HI	2 a 3 minutos	
	4 filetes	P-HI	3 a 5 minutos	
Rebanadas de pizza	1	P-HI	2 a 4 minutos	Colóquelas sobre la parrilla para asar del horno de microondas.
	2	P-HI	3 a 5 minutos	
	4	P-HI	5 a 7 minutos	
Cenas en paquete (bolsa)	140 a 160 g (5 a 6 oz)	P-HI	4 a 5 minutos	Perfore el paquete. Colóquelo en un plato. Voltéelo a la mitad del tiempo de cocimiento.
	280 a 300 g (10 a 11 oz)	P-HI	7 a 9 minutos	
Bagels	2	P-60	2 a 3 minutos	Envuelva cada uno individualmente en toallas de papel (de 1 a 2) o colóquelos en un plato de cartón, cubiertos con toallas de papel.
	4	P-60	3 a 5 minutos	
Panecillos daneses	1	P-60	1 a 2 minutos	
	2	P-60	2 a 3 minutos	
	4 (paq. de 6 oz)	P-60	3 a 4 minutos	
	6 (paq. de 13 oz)	P-60	4 a 5 minutos	
Bollos para la cena	6	P-60	2 a 3 minutos	
Bollos duros	1 (1 a 1 1/4 oz)	P-60	1 a 2 minutos	
	2	P-60	1 1/2 a 2 1/2 min.	
	4	P-60	2 a 3 minutos	
Concentrados de jugos congelados	170g(6 oz)	P-HI	1 a 2 minutos	Quite la tapa. Si el recipiente está forrado con papel aluminio, pase el contenido a una jarra o envase abierto. Permita que repose después de descongelar.
	340g(12 oz)	P-HI	2 a 5 minutos	
Crema no-láctea	450g(16 oz)	P-60	8 a 10 minutos	
Panqueques	280g(10 oz)	P-60	4 a 6 minutos	
Verduras congeladas	160g(6 oz.)	P-60	6 a 10 minutos	Perfore la caja, colóquelas sobre un plato. Si la caja está envuelta en papel aluminio, retírelo. Si las verduras se encuentran en una bolsa, perfórela. Deje que reposen durante 5 minutos.
	280g(10 oz.)	P-60	8 a 12 minutos	
Pastel de queso	500g(17 oz)	P-60	4 a 5 minutos	Sáquelos del recipiente original. Colóquelos en un plato para servir. Permita que reposen 5 minutos después de calentarlos (para descongelar). Aumente 1 o 2 minutos adicionales para servirlos calientes.
Panecillos de chocolate (brownies)	360g(13 oz)	P-60	2 a 4 minutos	
Pastel de "Pound"	300g(10 ³ / ₄ oz)	P-60	1 1/2 a 3 min.	
Pastel de café	300 a 340g(11 a 12 oz)	P-60	3 a 5 minutos	

MANTENIMIENTO Y CUIDADO DE SU HORNO

1 Desconecte el horno antes de limpiarlo.

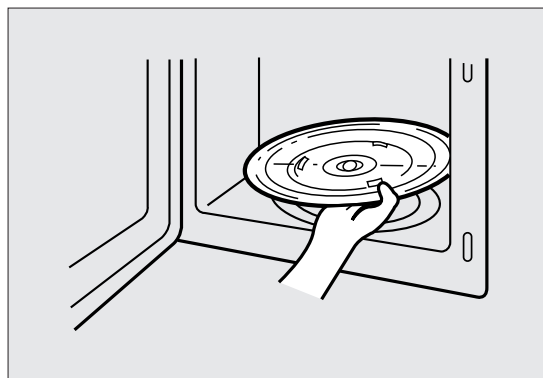
2 Mantenga limpio el interior del horno. Cuando los alimentos salpiquen las paredes o se derramen en el interior, limpie el interior con un paño húmedo. Puede usar un detergente suave si el horno se encuentra demasiado sucio. No es recomendable usar detergentes fuertes o abrasivos.

La parte exterior del horno debe limpiarse con agua y jabón, y enjuagarse y secarse con un paño suave. Para evitar daños a las partes que operan dentro del horno, no permita que entre agua por la abertura de ventilación.

4 Si el panel de control se moja, límpielo con un paño suave. No use detergentes o abrasivos fuertes en el panel de control.

5 Si se acumula vapor en el interior del horno o el borde de la puerta, límpielo con un paño suave. Esto suele ocurrir cuando el horno de microondas está siendo operado bajo condiciones de alta humedad, sin embargo, esto no es un indicio de mal funcionamiento.

6 Ocasionalmente es necesario retirar el plato de cristal para limpiarlo. Lávelo en agua tibia con jabón o en lavaplatos automático.



7 El arillo y la base de la cavidad, deben limpiarse regularmente para evitar que hagan demasiado ruido.

Simplemente limpie la superficie con agua y detergente suave o con limpiador de ventanas y seque. El eje puede lavarse con agua tibia.

ARILLO GIRATORIO

1 El ARILLO y la base de la cavidad, deben limpiarse regularmente para evitar que hagan demasiado ruido.

2 El Plato de Cristal siempre debe colocarse sobre el ARILLO para cocinar.

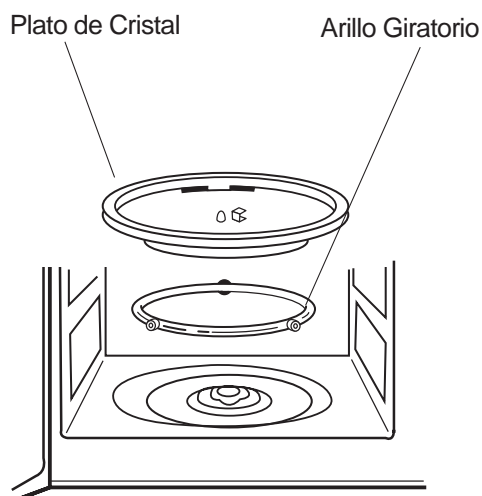
PLATO DE CRISTAL

1 No opere el horno sin el Plato de Cristal.

2 No use ningún otro plato de cristal en este horno.

3 Si el plato de cristal está caliente, permita que se enfríe antes de limpiarlo o colocarlo en agua.

4 No cocine directamente sobre el Plato de Cristal.



USE SU HORNO DE MICROONDAS CON SEGURIDAD

Uso general

No intente alterar o forzar con interruptores de seguridad.

No coloque ningún objeto entre el marco frontal del horno y la puerta, ni permita que los residuos se acumulen en las superficies sellantes. Límpielo con un detergente suave, enjuáguelo y séquelo. Nunca utilice polvos o paños abrasivos.

No permita que la puerta esté sujeta a tensiones o que soporte peso, como en el caso de que un niño se cuelgue de la puerta abierta.

Esto podría ocasionar que el microondas se cayera hacia delante produciendo heridas y dañando el microondas.

No ponga en funcionamiento el horno si los sellos de la puerta o las superficies sellantes están dañadas, o si la puerta está curvada, o bien, si las bisagras están sueltas o rotas.

No ponga en funcionamiento el horno si está vacío, ya que esto lo dañará.

No intente secar ropa, periódicos u otros materiales en el horno, ya que se pueden incendiar.

No use productos de papel reciclado, ya que pueden contener impurezas que pueden causar chispas o llamas.

No golpee ni toque con fuerza el tablero de control con objetos duros. Esto puede dañar el horno.

Alimentos

Nunca utilice el horno de microondas para el conservar en casa. El horno no está diseñado para el conservar correctamente. La comida envasada y preparada de manera incorrecta puede echarse a perder y su consumo puede ser peligroso.

Siempre utilice el tiempo mínimo de cocción para la receta. Es mejor cocinar poco los alimentos que cocinarlos demasiado. Los alimentos que no están totalmente cocinados se pueden regresar al horno para terminar su cocimiento, mientras que si se cocinan demasiado, no se puede hacer nada.

Caliente con cuidado las cantidades pequeñas de comida y los alimentos con poca humedad. Ambos se pueden secar rápidamente, se pueden quemar o pueden incendiarse.

No caliente huevos en su cascarón. Se puede acumular la presión y los huevos pueden explotar.

Como ejemplos de alimentos con cáscara o piel no porosa tenemos a las papas, las manzanas, las yemas de huevo y las salchichas. Estos alimentos se deben perforar antes de cocinarlos, para evitar que exploten.

No intente freír en su horno de microondas.

Siempre revuelva los líquidos antes de calentarlos. Los líquidos calientes pueden saltar como si hicieran erupción, si no están mezclados con aire.

No prepare palomitas de maíz en bolsas de papel, a menos que se trate de un producto comercial preparado que indique que son palomitas de maíz para prepararlas en horno de microondas.

Los granos de maíz pueden sobrecalentarse y encender las bolsas de papel.

No exceda el tiempo de preparación sugerido por el fabricante de las palomitas de maíz para horno de microondas. Un tiempo más prolongado no produce más palomitas, y puede ocasionar quemaduras o llamas.

Recuerde, la bolsa de palomitas y su charola pueden estar demasiado calientes para manejarlas con las manos. Retírelas con precaución utilizando agarradores para ollas calientes.

ARCO ELÉCTRICO

*¡Si usted ve un arco eléctrico, oprima el botón o almohadilla **STOP/CLEAR** y corrija el problema.*

Se le llama arco eléctrico a las chispas en el horno de microondas. Los arcos son causados por:

- Partes metálicas o papel aluminio que tocan los lados del horno.
- Papel aluminio que no tiene el contorno del alimento (los bordes hacia arriba funcionan como antenas).
- Objetos de metal dentro del microondas, como alambritos para cerrar, agujas para coser aves, o platos con bordes de oro.
- Uso en el microondas de toallas de papel reciclado que contengan pequeñas piezas de metal.

PREGUNTAS Y RESPUESTAS

- P: Accidentalmente puse a funcionar mi horno de microondas estando vacío. ¿Se habrá dañado?
R: El operar el horno durante un tiempo corto estando vacío no lo dañará. Sin embargo, no se recomienda hacerlo.
- P: ¿Se puede utilizar el horno si se retiran la charola de vidrio o la guía de rodillos?
R: No. Tanto la charola de vidrio como la guía de rodillos siempre deben estar en el horno para cocinar.
- P: ¿Puedo abrir la puerta cuando el horno está en funcionamiento?
R: Se puede abrir la puerta en cualquier momento durante la operación de cocción.
Instantáneamente se apagará la energía de microondas y se mantendrá el ajuste de tiempo, hasta que se cierre la puerta y se oprima START.
- P: ¿Por qué aparece humedad dentro del microondas después de cocinar?
R: Es normal encontrar humedad en los lados del horno. Es ocasionada por la condensación del vapor de los alimentos cuando se calientan, sobre la superficie fresca del horno.
- P: ¿La energía de las microondas pasa a través de la pantalla de observación de la puerta?
R: No. La pantalla de metal hace rebotar la energía a la cavidad del horno. Los orificios permiten que pase la luz, pero no permiten que pase la energía de las microondas.
- P: ¿Por qué se revientan los huevos?
R: Cuando se hornean o se escalfan los huevos, se puede reventar la yema debido a la acumulación de vapor dentro de su membrana. Para evitar esto, simplemente perfora la yema con un palillo de dientes antes de cocinar. Nunca cocine huevos sin antes haber perforado sus cascarones.
- P: ¿Por qué se recomienda el tiempo de reposo después de que se ha terminado con la cocción?
R: El tiempo de reposo es muy importante.
Al cocinar con microondas, el calor se encuentra en la comida, no en el horno. Muchos alimentos generan el suficiente calor como para permitir que el proceso de cocción continúe, aún después de que se sacan del horno. El tiempo de reposo permite que el interior de las piezas de carne, las verduras grandes y los pasteles se cocinen completamente, sin cocinar en exceso el exterior.
- P: ¿Qué significa "tiempo de reposo"?
R: "Tiempo de reposo" significa que se deben retirar los alimentos del horno y se les debe cubrir durante un tiempo adicional para permitir que acaben de cocinarse. Esto permite que el horno esté libre para seguir cocinando.
- P: ¿Por qué mi horno no siempre cocina tan rápido como lo indica la guía para cocinar en microondas?
R: Verifique otra vez su guía, para asegurarse de que ha seguido las instrucciones con exactitud, y para ver qué puede estar ocasionando las variaciones en el tiempo de cocción. Los tiempos y los ajustes de calor que aparecen en la guía son sugerencias, para evitar el cocer en exceso... lo cual es el problema más común mientras se familiariza con el horno de microondas.
Las diferencias en el tamaño, forma, peso y dimensiones pueden ocasionar que se necesiten tiempos de cocción más prolongados. Utilice su propio criterio junto con las sugerencias de la guía para cocinar para verificar si los alimentos han sido cocidos apropiadamente, tal como lo haría con una estufa convencional.
- P: ¿El horno se dañará si funciona estando vacío?
R: Sí. Nunca lo ponga en funcionamiento si está vacío.
- P: ¿Puedo utilizar mi horno de microondas sin el plato giratorio, o puedo voltear el plato giratorio para acomodar un recipiente grande?
R: No. Si usted retira o voltea el plato giratorio obtendrá resultados deficientes en la cocción. Los recipientes que utilice en su horno deben ajustarse al plato giratorio.
- P: ¿Es normal que el plato giratorio gire en cualquier dirección?
R: Sí. El plato giratorio se mueve en dirección de las manecillas del reloj, o en su contra, dependiendo de la rotación del motor en el momento en que inicia el ciclo de cocción.
- P: ¿Puedo preparar palomitas de maíz en mi horno de microondas? ¿Cómo puedo obtener los mejores resultados?
R: Sí. Prepare palomitas de maíz empacadas especialmente para microondas, siguiendo las instrucciones del fabricante, o utilice el botón configurado POPCORN. No utilice bolsas normales de papel. Haga la "prueba de oído", apagando el horno en cuanto el sonido se reduzca a "chasquido" cada 1 o 2 segundos. No vuelva a procesar los granos que no se reventaron. No prepare palomitas de maíz en utensilios de vidrio.

TABLA DE CONVERSIÓN DE PESOS Y MEDIDAS

■ LIBRAS Y ONZAS A GRAMOS

LIBRAS (lb)	GRAMOS (g)
1/4	114
1/2	227
3/4	341
1	454
2	907
3	1361
4	1814
5	2268
6	2722
7	3175
8	3629
9	4082
10	4526
11	4990

LIBRAS (lb)	GRAMOS (g)
1	28
2	57
3	85
4	113
5	142
6	170
7	198
8	227

LIBRAS (lb)	GRAMOS (g)
9	255
10	284
11	312
12	340
13	369
14	397
15	425
16	454

■ MEDIDAS DE LÍQUIDOS

1 taza	= 8 onzas líquidas	=240 ml
1 pinta	= 16 onzas líquidas	=480 ml
1 cuarto	= 32 onzas líquidas	=960 ml
1 galón	= 128 onzas líquidas	=3840 ml

■ TABLA DE CONVERSIÓN DE PESOS PARA DESCONGELAR Y COCINAR

Onzas	Centésimos de libra	Décimos de libra	Gramos
1 a 2	.06 a .15	0.1	50
3 a 4	.16 a .25	0.2	100
5 a 6	.26 a .35	0.3	150
7	.36 a .45	0.4	200
8 a 9	.46 a .55	0.5	250
10 a 11	.56 a .65	0.6	300
12 a 13	.66 a .75	0.7	350
14	.76 a .85	0.8	400
15 a 16	.86 a .95	0.9	450

ANTES DE LLAMAR PARA SOLICITAR MANTENIMIENTO

Consulte la siguiente lista de verificación, así podrá evitar una llamada a mantenimiento que no era necesaria.

- El horno no funciona:
 1. Verifique que el cable de energía esté conectado de manera segura.
 2. Verifique que la puerta esté firmemente cerrada.
 3. Verifique que el tiempo de cocción esté ajustado.
 4. Verifique si existe en su casa algún fusible quemado o si algún disyuntor de circuito principal está disparado.
 - Hay chispas en el interior:
 1. Verifique los utensilios. No se deben utilizar recipientes o platos con bordes metálicos.
 2. Verifique que las brochetas metálicas o el papel aluminio no toquen las paredes interiores.
- Si aún se presentan problemas, póngase en contacto con la estación de servicio.

¡NO INTENTE REPARAR EL HORNO USTED MISMO!



Garantía limitada

MC Appliance Corporation garantiza que todas las Encimera horno de microondas carecen de defectos en el material y la mano de obra y acuerda solucionar cualquiera de estos defectos o instalar la(s) parte(s) nueva(s) (a elección de la compañía) en caso de que la unidad haya fallado durante el periodo de garantía. Las partes y gastos de reparación están cubiertos en esta unidad por un periodo de un año a partir de la fecha de compra. Se requiere una copia de la factura o recibo de compra para recibir el servicio de garantía por parte de un agente de servicio autorizado.

Además MC Appliance corporation autoriza el magnetrón (piezas solamente) para estar libre de defectos en material y la ejecución por un período de ocho años. El consumidor es responsable de todo el trabajo y los costos del transporte relacionados con la diagnosis y el reemplazo del magnetrón después de las uno garantías inicial del año expiran. Si en el acontecimiento la unidad requiere el reemplazo o el reembolso bajo términos de esta garantía el consumidor es responsable de todos los costos del transporte volver la unidad a nuestra fábrica antes de recibir una unidad o un reembolso del reemplazo.

Esta garantía cubre los aparatos que se usen dentro de los Estados Unidos continentales, Alaska, Hawái y Puerto Rico. La garantía no cubre lo siguiente:

- Daños debido al daño del envío a la instalación incorrecta.
- Daños debido al mal uso o abuso.
- Pérdidas de contenido debido a falla de la unidad.
- Componentes internos como platos giratorio, guía de rodillos, bombillas, etc.
- Las reparaciones se realizaron por los agentes desautorizados del servicio.
- Llamadas de servicio que no implican defectos en material y la ejecución tal como instrucción en el uso apropiado del producto o de la instalación incorrecta.
- Reemplazo o reajuste de los fusibles de los interruptores de la casa.
- Falla de este producto si se usa con fines distintos a los que fue diseñado.
- Costes de la disposición de unidades falladas no vueltas a nuestra fábrica.
- Todos los gastos de entrega/instalación incurridos como resultado de una unidad que no cumple con lo especificado.
- Gastos de viajes y el transporte de los productos principales de servicio si su aparato está situado en una zona remota donde el servicio por un técnico de servicio no está disponible.
- La remoción y reinstalación de su gran aparato, si está instalado en un lugar inaccesible o no está instalado de conformidad con las instrucciones de instalación publicadas.
- Restituciones por productos no reparables se limita al precio pagado por la unidad por el recibo de compra.

Limitaciones de remedios y exclusiones:

La reparación del producto de acuerdo con los términos de este documento es el único y exclusivo remedio de esta garantía limitada. Todas las una de las garantías implicadas, incluyendo la calidad de comerciable y capacidad para un propósito particular, se limitan mediante la presente a un año o el periodo más corto permitido por la ley. MC Appliance Corporation no es responsable por daños incidentales ni resultantes y ningún representante o persona alguna están autorizados para asumir de parte nuestra ninguna otra responsabilidad en relación con la venta de este producto. Bajo ninguna circunstancia se le permite al consumidor regresar esta unidad a la fábrica sin consentimiento previo por escrito de MC Appliance Corporation.

Algunos estados prohíben la exclusión o limitación por daños incidentales o resultantes, o limitaciones en las garantías implícitas. Esta garantía le otorga a usted derechos legales específicos, y usted puede también tener otros derechos que varían según la entidad federal/va donde se encuentre.

Modelo	Piezas & Trabajo	Magnetron (Parte solamente)	Tipo de servicio
MCD1310ST	Uno año	Ocho años	Lleve adentro

Para servicio o asistencia, llame por favor al 888-775-0202. O visitenos en www.mcappliance.com para solicitar el servicio de garantía o repuestos.



CNA International, Inc. realiza negocios bajo el nombre de MC Appliance Corporation. Derechos reservados.

El logotipo Magic Chef® es una marca registrada de CNA International, Inc.

www.mcappliance.com

Impreso en China