



***Manitowoc***  
**Foodservice**  
**Parts Manual**

For more Parts Information:

<https://manitowocfsg.sysonline.com/Default.aspx>

# TABLE OF CONTENTS

Manitowoc Foodservice [Updated: Sep. 30, 2013]

Manitowoc - Ice & Related

Parts Catalog

Ice Machine

A Series

A1100, AC1195

A1100 - All Components ..... 1

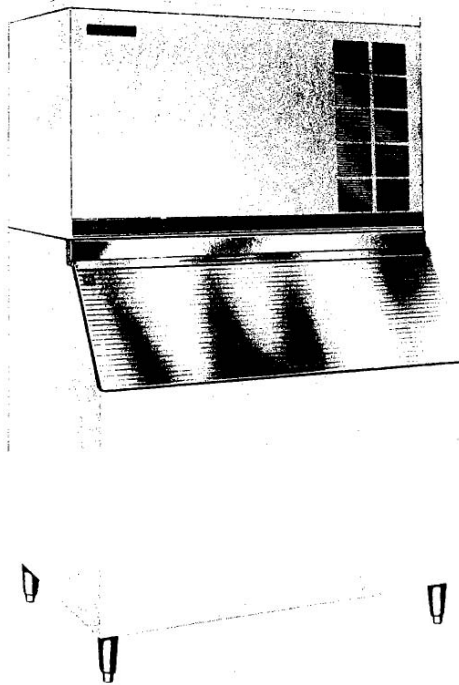
AC1195 Remote Condenser Components ..... 8

A1100, AC1195

A1100 - ALL COMPONENTS

**Manitowoc**

**A 1100 SERIES  
ICE CUBERS  
SERVICE MANUAL**



**Manitowoc** equipment works  
Division of The Manitowoc Company, Inc.

MANITOWOC  
WISCONSIN

This manual covers the 1100 Series Cubers  
starting with Serial Number 11693

80-0063-3  
5-1-78

# A1100, AC1195

## A1100 - ALL COMPONENTS

#	PART #	DESCRIPTION	QTY	Note
		STANDARD 1100 SERIES CUBERS		
		COMPRESSOR CONDENSER GROUP		
		Bristol Compressor, Single Phase		[1]
	2010143	Run Capacitor - 115V/60 Hz/1 Ph		
	8503643	Start Capacitor		[2]
		Bristol Start Relay		[1]
		Tecumseh Compressor, Single Phase:		[3]
		Start Relay		[1]
	8503143	Start Capacitor - 115V/60 Hz/1 Ph		[4]
		Run Capacitor		[1]
		Start Capacitor End Cap		[1]
		Copelaweld Compressor, Single Phase:		
	1502831	Start Relay		[5]
	8503163	Start Capacitor		[6]
	1502841	Run Capacitor		
		Capacitor Strap		[1]
	8503069	Mounting - Rubber Grommet		[4]
	2410041	Single Phase Contactor		
		Single Phase Contactor Using		[1]
		Quick Connect Terminals		[1]
		3 Phase Compressor		[1]
		3 Phase Contactor		
		3 Phase Contactor with Auxiliary Switch		[7]
	8930279	Drier		[4]
	8372033	Water Regulator		[6]
		Condenser Water-cooled Up to SN 003467		[1]
		Condenser Air-cooled Starting with SN 003467		[1]
		Condenser Assembly		[8]
		Condenser Water-cooled Starting with SN 003467		[9]
		Access Service Valve 2High and Low Side		[10]
		Fan Motor		[11]
		Fan Motor Bracket		[1]
	2401891	Fan Blade		
		Fan Shroud Weldment		[1]
		Suction Valve Seal		[12]
	0700503	Suction Valve Only Replacement Kit		[13]
		Discharge Valve Only		[1]
	1502781	Seal for Suction Service Valve		
	1200221	Receiver		[14]
	000008892	Receiver		[15]
	1373021	Service Valve		[16]
		CONTROL GROUP		

# A1100, AC1195

## A1100 - ALL COMPONENTS

#	PART #	DESCRIPTION	QTY	Note
	2300849	Main Toggle Switch		[4]
		Manual Harvest Switch Starting with SN 014322		[1]
	2300799	Damper Door Switch		[17]
	110891	Bin Switch Bracket		
		Thermo-disc		[1]
		Low Pressure Cut-in		[18]
	2355081	High and Low Pressure Cut-out		[19]
		CONTROL GROUP, continued		
	2355113	High Pressure Cut-out		[20]
		Starting with SN 011693		[1]
		Expansion Valve		[1]
		Terminal Board		[1]
		Paragon Timer (60 second) Used Up to SN 006446		[1]
	2406071	15 Minute Timer		
		Mounting Track, Solid State Timer		[1]
	2406239	Omnetics Timer SIN 23188 to 23687		[4]
		Time Delay Relay 70 Second Delay		[1]
	2404011	Solenoid Valve		
		Fan Cycling Switch		[1]
		Control Panel Front Cover Used Up to SN 011692		[1]
		Control Panel Front Cover Started with SN 011693		[1]
		Solenoid Hot Gas Valve Coil		[21]
		Hot Gas Solenoid Valve		[1]
		Hot Gas Solenoid Coil Only		[22]
	2404483	Alco Solenoid Valve Coil Only - 230V/50 Hz		[23]
		EVAPORATOR ASSEMBLY GROUP		
	6803019	Outside Evaporator Assembly		[24]
	6803029	Inside Evaporator Assembly		[24]
		Front Evaporator Assembly		[25]
		Rear Evaporator Assembly		[25]
	6803119	Outside Evaporator Assembly		[26]
	6803129	Inside Evaporator Assembly		[26]
	151771	Evaporator Top Grid Extrusion		[4]
		Evaporator Bottom Grid Extrusion		[1]
	6260014	Evaporator Extrusion, Left Side		[4]
		Nut for Extrusion		[1]
	6260024	Evaporator Extrusion, Right Side		[4]
		WATER CIRCUIT GROUP		
		Water Distribution Tube Assembly		[1]
	6061614	Distribution Tube Support		
		Water Supply Tube 1-3/8" OD		[27]
		Water Inlet Tube 1-3/8" OD		[28]
		90° PVC Elbow		[1]

# A1100, AC1195

## A1100 - ALL COMPONENTS

#	PART #	DESCRIPTION	QTY	Note
		Water Sump Trough Assembly		[1]
		Sump Hold Down Clip		[1]
		Water Curtain		[1]
		Left Hand Water Curtain Hook		[29]
		Right Hand Water Curtain Hook		[29]
	1480279	Water Pump - 208-230V/50-60 Hz		[4]
	8369049	Float Valve Assembly		[4]
		Float Valve Bracket		[1]
	1260033	Water Strainer		[4]
	5000013	Thumbscrew - #8-32 x 0.375"		[4]
		Overflow Elbow		[1]
	301101	Water Inlet Assembly, 1/2" NPT		[30]
	4420291	Vinyl Tube - 0.25" OD		[31]
	4420309	Nylon Insert		[32]
		ICE CHUTE GROUP		
	6526324	Left Hand and Right Hand Ice Chute Assembly		
	6526324	Left Hand and Right Hand Ice Chute Assembly		[33]
		Harvest Rack — without Tabs		[1]
		Front Ice Chute		[34]
		Rear Ice Chute		[34]
		Harvest Rack — with Tab & Slotted Mounting Hole		[1]
	6564624	Front Ice Chute		[35]
	6564724	Rear Ice Chute		[36]
		Harvest Rack — with Tab & Round Mounting Hole For 1/4 Turn Fastener		[1]
		Nylon Rod Bearing For Ice Chute		[1]
		Damper Door Assembly Up to SN 81020032		[1]
	6826214	Damper Door Assembly After SN 81020032		
		Nylon Rod Bearing Damper Door		[1]
		Ice Chute Clip		[37]
		BY 1100 MODELS		[38]
		Bin Thermostat		[1]
		Toggle Switch		[1]
		Bracket Assembly		[1]
	5000013	Thumbscrew - #8-32 x 0.375"		[4]
		Space Bar		[1]
		REMOTE CUBER MODELS		[39]
		AR1190N, AD1192N, AY1194N & BY1194NS (Model Numbers used Starting with SN 013350); AY1190N (Model No. used up to SN 013350)		
		Thermo-disc		[1]
		Head Pressure Control		[1]
		Headmaster Relocation Package		[1]
		Receiver		[1]
		Low Pressure Cut-out		[1]
	2355113	High Pressure Cut-out		[2]

# A1100, AC1195

## A1100 - ALL COMPONENTS

#	PART #	DESCRIPTION	QTY	Note
	2404121	Solenoid Valve Coil		[40]
		Solenoid Valve Body		[40]
		Solenoid Valve Assembly		[41]
		Solenoid Valve Coil Only		[42]
		Solenoid Valve Body Only		[42]
		CABINET GROUP		[43]
	8134873	Front Panel Trim		[4]
		Front Panel Series Trim Assembly		[1]
		Foam Tape		[44]
	156283	Top Cover		[4]
		Left Hand End Panel Assembly		[1]
		Right Hand End Panel Assembly		[1]
		Rear Panel Assembly		[1]
		Front Panel Assembly		[1]
		CABINET GROUP		[45]
		Top Cover		[1]
		Left Hand End Panel		[46]
	6013834	Right Hand End Panel		[4]
		Rear Panel		[1]
		Front Panel		[1]
		Left Hand End Panel Only		[47]
		CABINET GROUP		[48]
		SPLIT PANELS PAINTED		
		Top Cover		[1]
		Left Hand Front Panel		[1]
		Right Hand Louver Front Panel		[1]
		Right Hand Rear Panel		[1]
		Left Hand Louver Rear Panel		[1]
		Left Hand End Panel		[1]
	6013834	Right Hand End Panel		[4]
	5124649	Screw #8 x 1/2" Type B		[4]
		STAINLESS STEEL		
		Top Cover		[1]
		Right Hand End Panel		[1]
		Rear Panel		[1]
		Front Panel		[1]
		Left Hand Panel		[1]
	5012059	10-32 Thumbscrew		[6]
		CABINET GROUP		[48]
		SPLIT PANELS STAINLESS STEEL		
		Top Cover		[1]
		Left Hand Front Panel		[1]
		Right Hand Louver Front Panel		[1]

# A1100, AC1195

## A1100 - ALL COMPONENTS

#	PART #	DESCRIPTION	QTY	Note
		Right Hand Rear Panel		[1]
		Left Hand Louver Rear Panel		[1]
		Left Hand End Panel		[1]
		Right Hand End Panel		[1]
		MCDONALD'S SPLIT PANELS		[48]
		Left Hand Front Panel		[1]
		Right Hand Louver Front Panel		[1]
		All Other Panels Same As Other Stainless Steel Models.		
		Right Hand Trim for McDonald's		[1]
		Left Hand Trim for McDonald's		[1]
		50 CYCLE MODELS ONLY		[39]
		Compressor		[1]
		Components for Copeland Compressor		
		Start Relay		[1]
		Run Capacitor		[1]
	8504223	Start Capacitor		[4]
		Components for Tecumseh Compressor		
		Start Relay		[1]
	8503143	Start Capacitor - 115V/60 Hz/1 Ph		[4]
		Run Capacitor		[1]
	1480279	Water Pump - 208-230V/50-60 Hz		[4]
	2412141	Fan Motor		

### PART NOTES:

- [1] - No Longer Available
- [2] - Discontinued
- [3] - (B/M #AH333ET108A4)
- [4] - Refer to Cross Reference Guide
- [5] - (YSB40150CFV205)
- [6] - Refer to Cross Reference Guide  
Discontinued
- [7] - No Longer Available Starting with SN 011693
- [8] - No Longer Available (includes fan motor assembly) Starting with SN 003467
- [9] - No Longer Available (Water-cooled only)
- [10] - No Longer Available (Starting with SN 011693)
- [11] - No Longer Available (Upper and lower)
- [12] - No Longer Available (Copeland and Tecumseh Compressor)
- [13] - (Copeland and Tecumseh Compressor)
- [14] - (Water-cooled units only)
- [15] - Refer to Cross Reference Guide (Air-cooled units only) Used Up to SN 011693
- [16] - (Service) Used Up to SN 011692 1373021
- [17] - Refer to Cross Reference Guide (Damper Door)



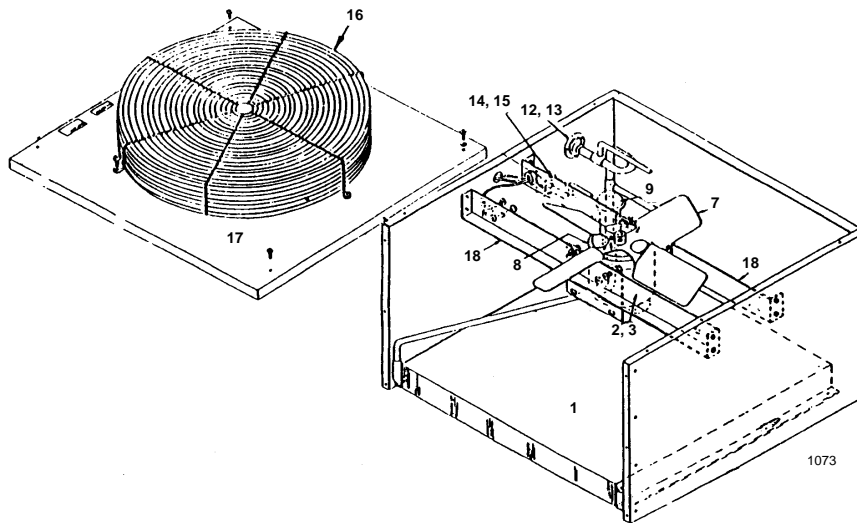
# A1100, AC1195

## A1100 - ALL COMPONENTS

#	PART #	DESCRIPTION	QTY	Note
<b>PART NOTES:</b>				
[18]		- No Longer Available(Ranco)		
[19]		- (Ranco Dual) Used Up to SN 011692		
[20]		- (Water-cooled only) Discontinued		
[21]		- No Longer Available(Sporlan) Up to SN ACO 100		
[22]		- No Longer Available(Sporlan)		
[23]		- Refer to Cross Reference GuideAlco		
[24]		- Refer to Cross Reference GuideDice		
[25]		- No Longer AvailableReg		
[26]		- Refer to Cross Reference Guide(Half dice)		
[27]		- No Longer Available(From water pump distribution tube)		
[28]		- No Longer Available(From 90° elbow distribution tube)		
[29]		- No Longer Available(Metal bracket)		
[30]		- (Brass)		
[31]		- (1/4" OD polyethylene tube)		
[32]		- Refer to Cross Reference Guide(Supply tubing float valve end)		
[33]		- Starting with SN 011693 & Up to SN 81020032		
[34]		- (For use with harvest rack) No Longer Available		
[35]		- (For use with harvest rack with tabs)		
[36]		- (For use with harvest rack)		
[37]		- (Clip thumb screw, See Water Circuit Group on Page 2) Up to SN 011692 No Longer Available		
[38]		- Use the same parts as previously listed for the standard 1100 cuber with the exception of the changes or additions listed under the special model number. No Longer Available		
[39]		- Use the same parts as previously listed for the standard 1100 cuber with the exception of the changes or additions listed under the special model number.		
[40]		- (Liquid line pump down) Up to SN AB0100		
[41]		- (Liquid line pump down) Starting SN AB0100 No Longer Available		
[42]		- (Starting SN AB0100) No Longer Available		
[43]		- (Used Up to SN 004244) PAINTED		
[44]		- (For mounting front panel trim) No Longer Available		
[45]		- (Starting with SN 004244) PAINTED		
[46]		- Up to SN 011692 No Longer Available		
[47]		- (Starting with SN 011693) No Longer Available		
[48]		- (Starting with SNAH0100)		

# A1100, AC1195

## AC1195 REMOTE CONDENSER COMPONENTS



# A1100, AC1195

## AC1195 REMOTE CONDENSER COMPONENTS

#	PART #	DESCRIPTION	QTY	Note
1	8850629	Air Condenser		
2	7629413	Fan Motor - 208-230V/50-60 Hz/1 Ph		[1]
3	7629413	Fan Motor - 208-230V/50-60 Hz/1 Ph		[1]
4	8503353	Run Capacitor		[2]
4		Fan Capacitor For Dual Bracket Fan Motor		[3]
5		Fan Capacitor For Single Bracket Fan Motor		[4]
6		Fan Blade For Single Bracket Fan Motor		[4]
7	2416113	Fan Blade		
8	2415053	Rain Slinger		
9	8368049	Headmaster Control		[5]
10		Toggle Switch Up to SN 82020001		[4]
11		Toggle Switch After SN 82020001		[4]
12	8360353	Coupling - Male - 1-1/6-12		
13	8360063	Coupling Mounting Flange for 1-1/16-12		
14	8360343	Coupling - Male - 5/8-18		
15	8360053	Coupling Mounting Flange for 5/8-18		
16	3400643	Fan Guard		
17	6017751	Top Cover		
18	6017681	Fan Motor Mounting Bracket		
19	0700623	Female Coupling Kit		[6]
20		Valve Access Fitting Core		[4]
21		Headmaster Relocation Kit		[7]
		AC1195A REMOTE CONDENSER S/N 005522 TO 006715 ONLY		
		Fan Motor		[8]
	2401891	Fan Blade		[9]
		Fan Motor Grill & Bracket		[8]

### PART NOTES:

- [1] - \*If unit has a fan motor mounted on a single bracket, use replacement kit #7619843 for 60 Hz unit. This kit includes new fan motor, capacitor, blades, dual brackets and all necessary hardware for installation.
- [2] - (Emerson)
- [3] - No Longer Available(Magnatec)
- [4] - No Longer Available
- [5] - (See item 21 below)
- [6] - (Not shown)
- [7] - No Longer Available(Used for units originally built with headmaster in ice machine to relocate to condenser)
- [8] - No Longer Available(2 per)
- [9] - (2 per)