

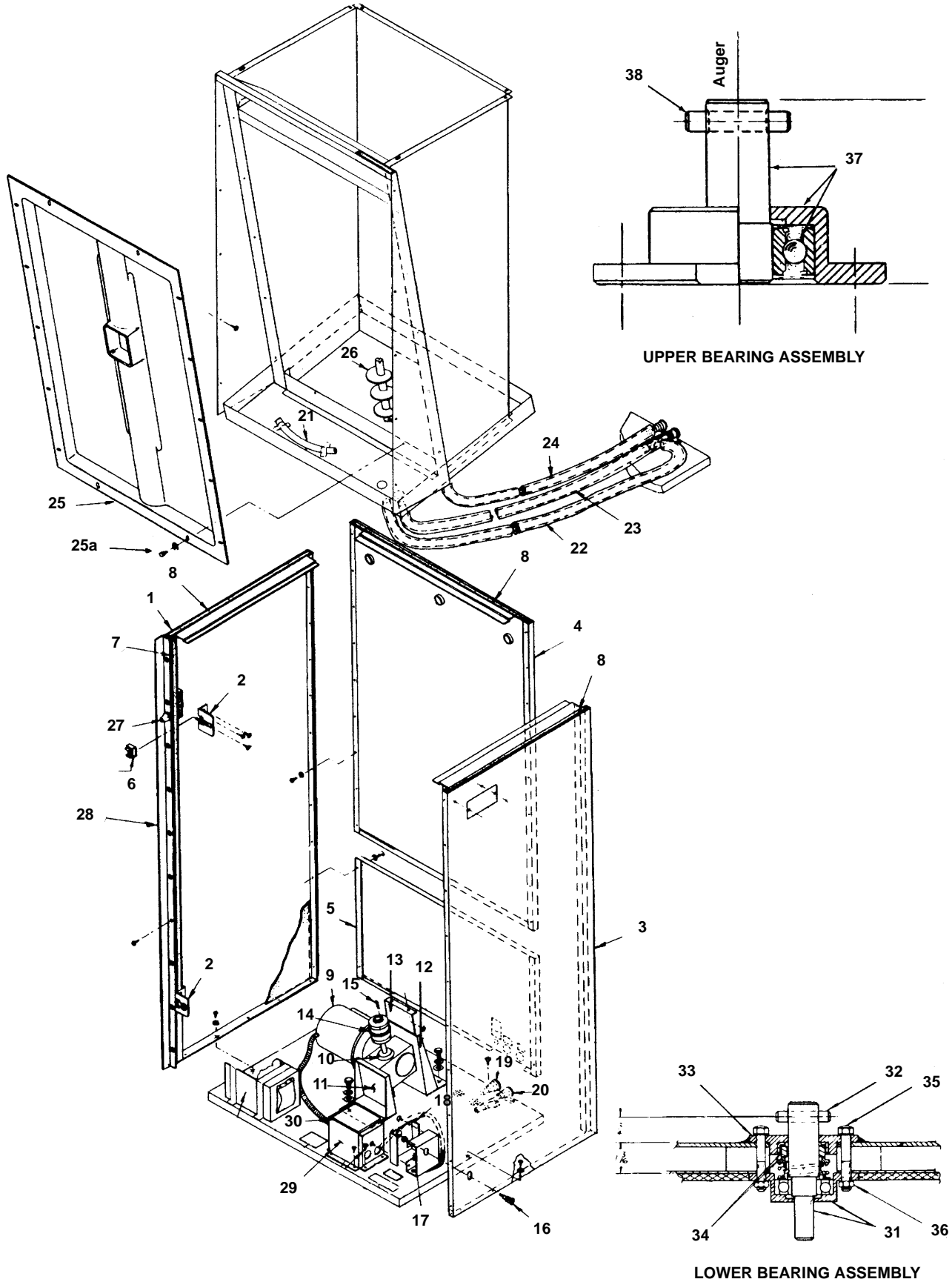


**Ice Machine Parts List for
AC0370 Series Coin Dispensers Model
AC0370**

Manufactured April 1977 through March 1980

AC0370

AUGER ASSEMBLY, STORAGE BIN GROUP – DETAIL A



AC0370, CONTINUED

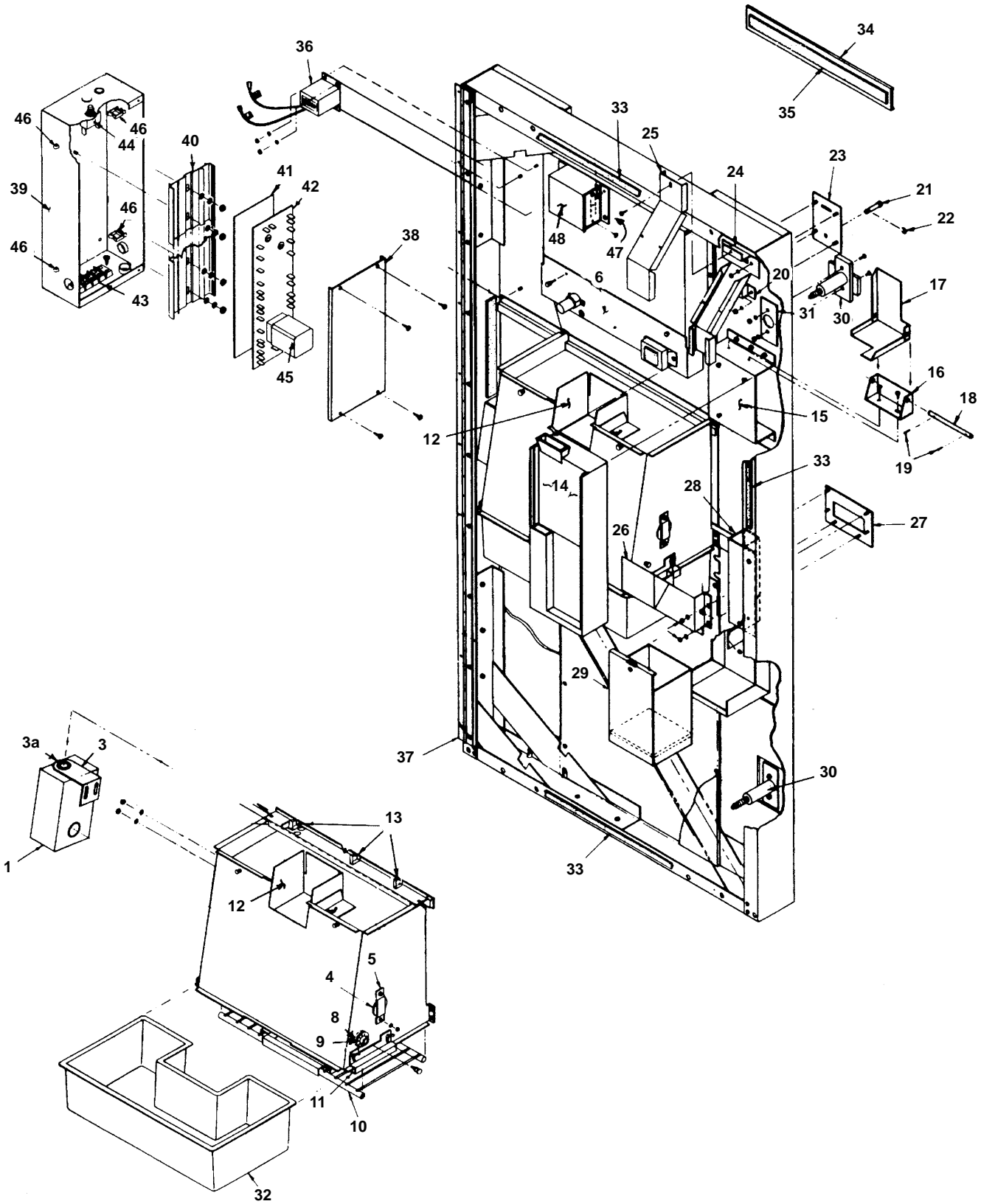
AUGER ASSEMBLY, STORAGE BIN GROUP – DETAIL A

		PART NO.
1	Side Panel (Left hand)	No Longer Available
2	Door Lock Bracket (See item 6)	No Longer Available
3	Side Panel (Right hand)	No Longer Available
4	Upper Rear Panel	130151
5	Lower Rear Access Panel	No Longer Available
6	Lock Nut, for Item 2	No Longer Available
7	Cork Tape 1/16 x 3/4 x 47-1/2" Long	9202283
8	Foam Tape 1/8 x 3/4 x 103" Long	† 9202489
9	Gear Drive Motor, Emerson	No Longer Available
10	Gear Reducer, 50:1 Boston – Starting SN 10776	No Longer Available
	Before SN 10776 Send Item 12 With Gear Reducer Item 10	
11	Mounting Bracket, Front, Gear Drive	6529714
12	Mounting Bracket, Rear Gear Drive	No Longer Available
13	Liner Support Bracket, Mounted on Rear Mounting Bracket Item 12.	No Longer Available
	Machine Screw 3/8 - 16 x 5/8", Mounting Reducer to Motor (4 ea)	No Longer Available
	Lockwasher, Mounting Reducer to Motor (4 ea)	† 5545149
14	Coupling No. 2 Dodge Triflex With Set Screw & Key	No Longer Available
15	Key 3/16 x 3/16 x 1-3/8" Long for Item 14	3710243
16	Key Operated SW With Cam & One Key, Key Lockout	No Longer Available
16a	Replacement Key, X1328, for Item 16	3060071
17	Microswitch, Key Lockout.	No Longer Available
18	Cover, Key Lockout Box.	6033014
19	Drain Fitting Assembly	No Longer Available
20	Drain Fitting Assembly With Tee	No Longer Available
21	Tygon Tubing 1/2" ID x 12" Long (Cuber drain into bin)	† 4420333
22	Tygon Tubing 1/2" ID x 23" Long	† 4420333
23	Tygon Tubing 1/2" ID x 21" Long	† 4420333
24	Tygon Tubing 1/2" ID x 16" Long	† 4420333
25	Auger Access Door	No Longer Available
25a	Thumbscrews (14) 1/2", Access Door	† 5000013
26	Auger Assembly – 4" OD	No Longer Available
27	Locating Cone	No Longer Available
28	Tamper Proof Bracket	No Longer Available
29	Junction Box Cover	No Longer Available
30	Label: Electrical Diagram	No Longer Available
31	Lower Bearing Housing Assembly (includes housing, bearing & shaft)	116911
32	Pin, Lower Bearing Shaft	No Longer Available
33	Seal Housing, Lower Bearing.	No Longer Available
34	Lower Seal With Seat.	No Longer Available
35	Bolt, Lower Bearing, 3/8-16 (3 ea)	No Longer Available
36	Lock Nut, Lower Bearing, 3/8-16 (3 ea)	† 5430029
37	Upper Bearing Assembly	No Longer Available
38	Pin, Bearing Shaft	No Longer Available
39	Screw, Upper Bearing, 1/4-20 x 5/8 (3 ea)	No Longer Available
40	Hex Nut, Upper Bearing, 1/4-20 (3 ea)	No Longer Available
41	Lockwasher, Upper Bearing, (3 ea)	† 5545119
42	Latching Plate (Mounting cuber to dispenser)	No Longer Available
43	Contactors	† 7621923

† Refer to Cross Reference Guide

AC0370, CONTINUED

DOOR ASSEMBLY – DETAIL B



AC0370, CONTINUED

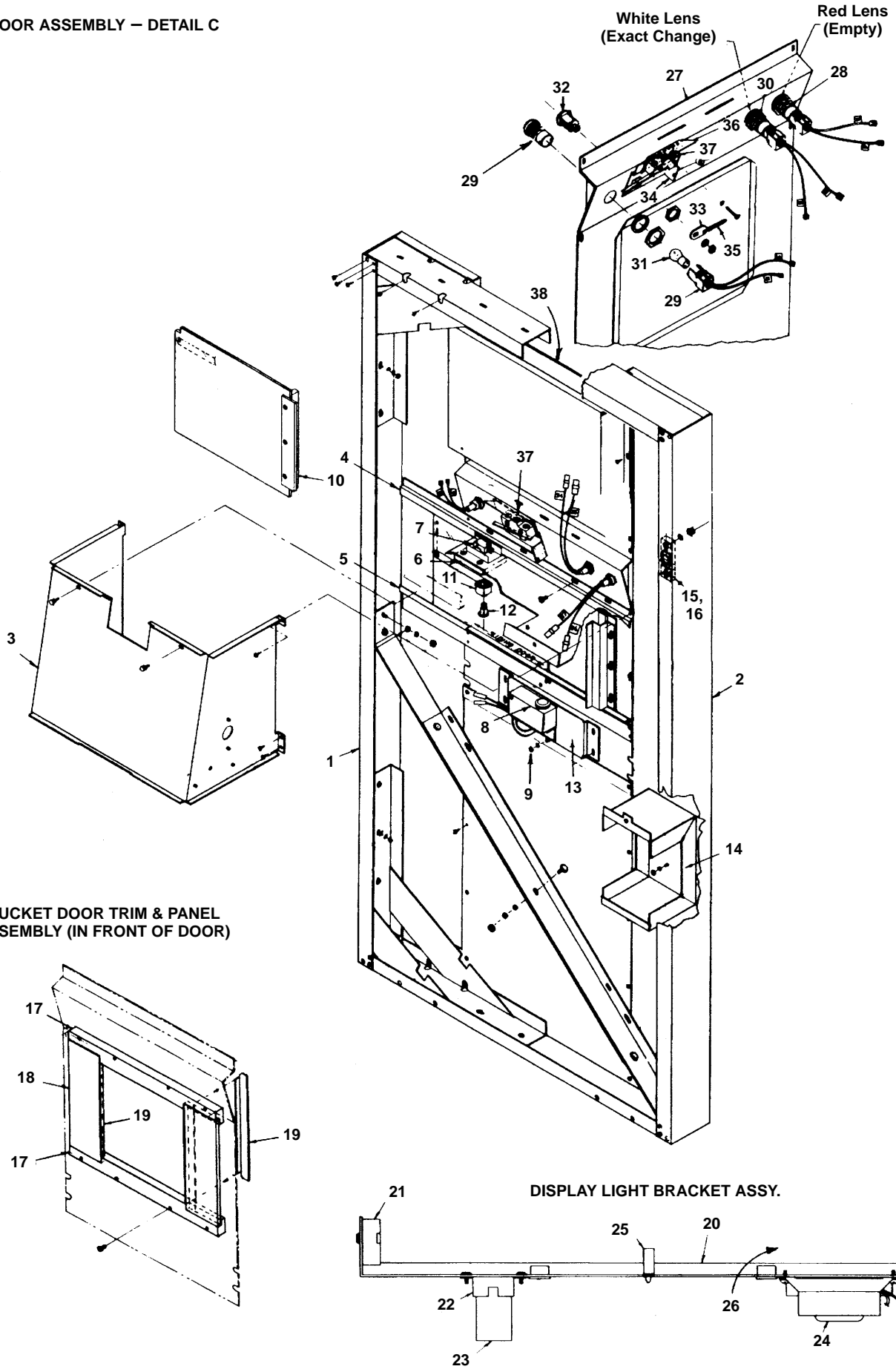
DOOR ASSEMBLY – DETAIL B

	PART NO.
1 Photo Electric Control (Warner) Use Item 1b Before SN AA0100	No Longer Available
1a Lamp for Item 1	No Longer Available
1b Photo Electric Control Kit – Includes Items 1, 3 & 3A & MTG Screws	No Longer Available
2 Lamp for Standard Photo Control (Used on earlier models) (Not shown)	No Longer Available
3 Photo Electric Control Bracket	No Longer Available
3a 90 Degree Elbow (Only location shown)	No Longer Available
4 Photo Electric Reflector	2407031
5 Reflector Bracket	No Longer Available
6 Display Light Bracket Assembly	Item 20 Detail C
7 Fluorescent Lamp Bulb, 14 Watts (Not shown), Mounts on Item 6	2200093
8 Nylon Bearing for Bucket Grill, Item 10	No Longer Available
9 Retainer Push Out, for Item 8	No Longer Available
10 Bucket Grill & Pan Assembly With Counterweight	No Longer Available
10a Thumbscrew for Grill	No Longer Available
11 Melting Tray Pan Retainer Bracket	No Longer Available
12 Ice Chute	No Longer Available
13 Clamp (For wire leads)	No Longer Available
14 Coin Mechanism (Acceptor & changer) See Figs. D & E for Breakdown	No Longer Available
15 Coin Acceptor Only	No Longer Available
16 Coin Mechanism Bracket	No Longer Available
17 Coin Rejector Bracket Weldment	No Longer Available
18 Coin Rejector Shaft	No Longer Available
19 Cotter Pin 1/16 x 3/4" Long	No Longer Available
20 Coin Rejector Pin Bracket	No Longer Available
21 Coin Rejector Pin	No Longer Available
22 Retaining Ring 19/64" Dia. Shaft	No Longer Available
23 Coin Acceptor Plate	No Longer Available
24 Coin Delivery Chute (Lower)	No Longer Available
25 Coin Delivery Chute (Upper)	No Longer Available
26 Coin Return Chute Assembly	No Longer Available
27 Coin Rejector Plate Weldment	No Longer Available
28 Coin Channel Weldment	No Longer Available
29 Coin Box Weldment	No Longer Available
30 T Handle Lock With Gem Key X1328 & Locknut	No Longer Available
30a Replacement Key for Item 29 (Tubular style)	3060071
30b Lock Cylinder for Item 29	No Longer Available
31 Lock Plate	6004714
32 Melting Tray Bucket	No Longer Available
33 Foam Tape 1/8 x 1/2 x 118" Long (Top & bottom of door)	No Longer Available
34 Trim Ice Cube Dispenser	No Longer Available
35 Foam Tape 1" x 14" Long	No Longer Available
36 Electric Counter	No Longer Available
37 Door Hinge	No Longer Available
38 Control Box Cover	No Longer Available
39 Control Box	No Longer Available
40 Mounting Track 10" Long	No Longer Available
41 Insulation Paper	No Longer Available
42 Timer (Potter & Brumfield) (Complete with CR1 relay)	No Longer Available
43 Terminal Block	No Longer Available
44 Momentary Contact (Push button switch)	No Longer Available
45 CR1 Relay, Plugs into 2406169, Item 41	No Longer Available
46 Wire Saddle Clamp	No Longer Available
47 Receptacle (Coin mechanism) (Not shown, see Detail E)	No Longer Available
48 Key Ice Kit	8950023
49 Complete Door Assembly (Not shown in Detail B)	No Longer Available
Key Ice Field Kit	8950033
Push Button Ice Kit	0700383

† Refer to Cross Reference Guide

AC0370, CONTINUED

DOOR ASSEMBLY – DETAIL C



AC0370, CONTINUED

DETAIL C DOOR ASSEMBLY – DETAIL C

PART NO.

1	Door Assembly – Coin Op	No Longer Available
1a	Door Panel Weldment (Right hand)	No Longer Available
2	Door Panel Weldment (Left hand)	No Longer Available
3	Bucket Housing Weldment.	No Longer Available
4	Bucket Door (Upper) Retainer Bracket	No Longer Available
5	Bucket Door (Lower) Retainer Bracket	No Longer Available
6	Mounting Block for Item 7	No Longer Available
7	Microswitch, Bucket Door.	No Longer Available
8	Weight Control Switch	2520013
9	Wing Nuts #6-32 for Item 8	No Longer Available
10	Bucket Door Use Starting With SN 10776 (Sliding door)	No Longer Available
10a	Bucket Door Kit, Use Up To SN 10775 (Sliding door)	† 8950073
11	Negator Spring With Drum	No Longer Available
12	Spring Mounting Rod	No Longer Available
13	Weight Control Switch Bracket (Used with Item 8)	No Longer Available
14	Coin Box Enclosure Weldment	No Longer Available
15	Locating Cone	No Longer Available
16	Locating Block, Use With Locating Cone 4301323	No Longer Available
17	Bucket Door Trim	No Longer Available
18	Decorator Panel	No Longer Available
19	Decor Bracket	No Longer Available
20	Display Light Bracket Only	No Longer Available
21	Lamp Holders (With mounting screws)	No Longer Available
22	Starter Socket.	No Longer Available
23	Starter.	No Longer Available
24	Ballast Transformer	No Longer Available
25	Wire Saddle Clamp	No Longer Available
26	Fluorescent Lamp (Bulb) (Not shown)	No Longer Available
27	Light & Bucket Door Panel Assembly, Includes Lights & Switches	No Longer Available
28	Lamp Holder With Red Lens (Empty)	No Longer Available
29	Lamp Holder With Green Lens.	2202031
30	Lamp Holder With White Lens (Exact change)	No Longer Available
31	Lamp 10W	No Longer Available
32	Ice Key Lock Used Up To SN 09232	No Longer Available
	Replacement Key #2387, for Lock 2300781	No Longer Available
32	Ice Key Lock From SN 09233 to SN 11995	No Longer Available
	Replacement Key For 3060143 Not Available – See Note****	
32	Ice Key Lock Assembly Starting With SN AJ2200	No Longer Available
	Replacement Key for Lock 3060199	No Longer Available
33	Modified Cam for Ice Lock	No Longer Available
34	Key Switch Bracket	No Longer Available
35	Extension Spring	No Longer Available
36	Switch Insulator	† 6082014
37	Microswitch (Key ice)	No Longer Available
38	Decal Window	No Longer Available
38a	Decal Photo (Picture) (Not shown).	No Longer Available

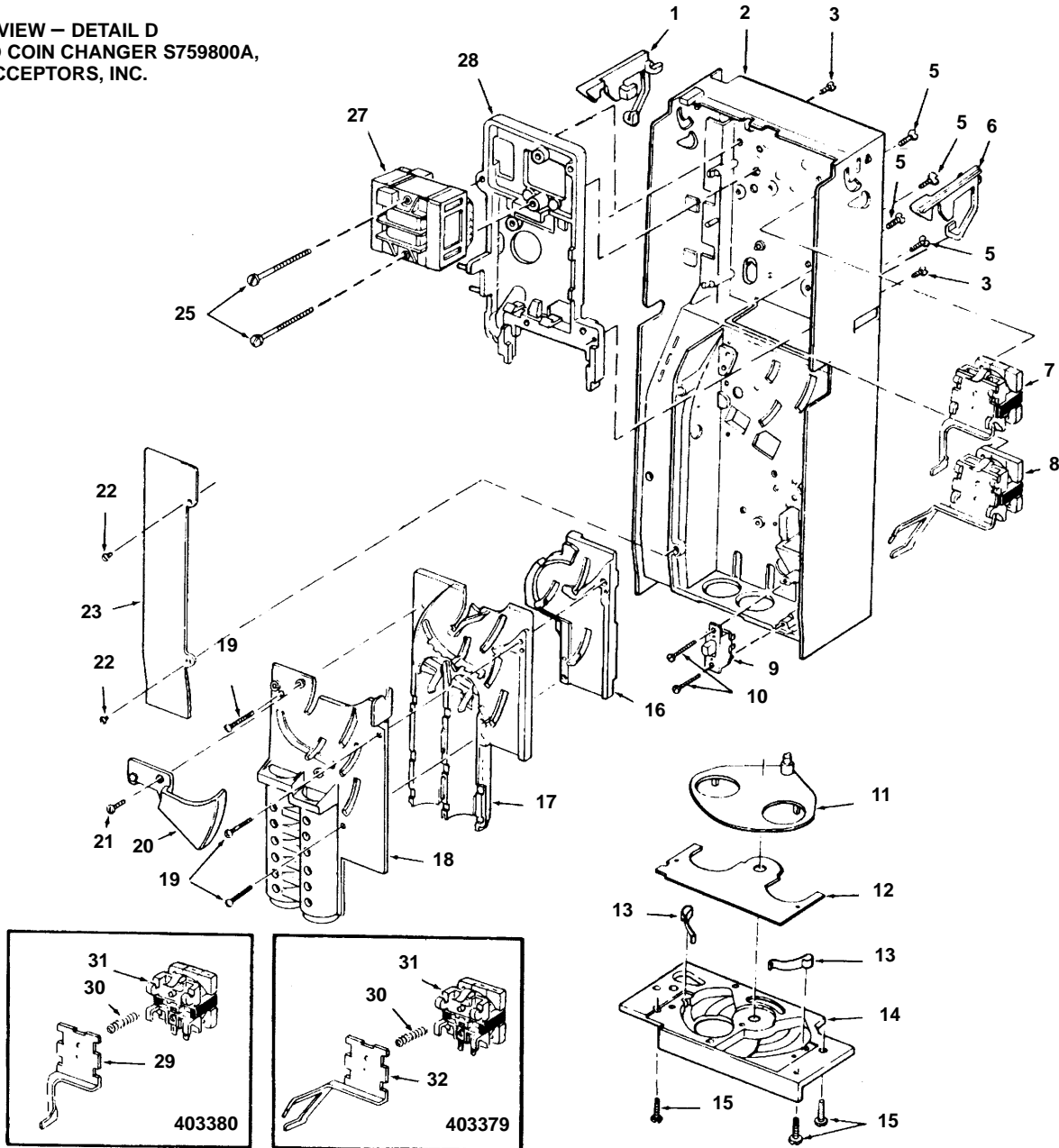
LABELS

Label Operating Instructions, (Not shown).		No Longer Available
Label Electrical Diagram, (Not shown).		No Longer Available
Label Servicing, (Not shown).		No Longer Available

****Order replacement key from Fort Lock Corp., 3000 North River Rd., River Grove, IL 60171.
Order by number on lock cylinder.

AC0370, CONTINUED

FRONT VIEW — DETAIL D
COINCO COIN CHANGER S759800A,
COIN ACCEPTORS, INC.



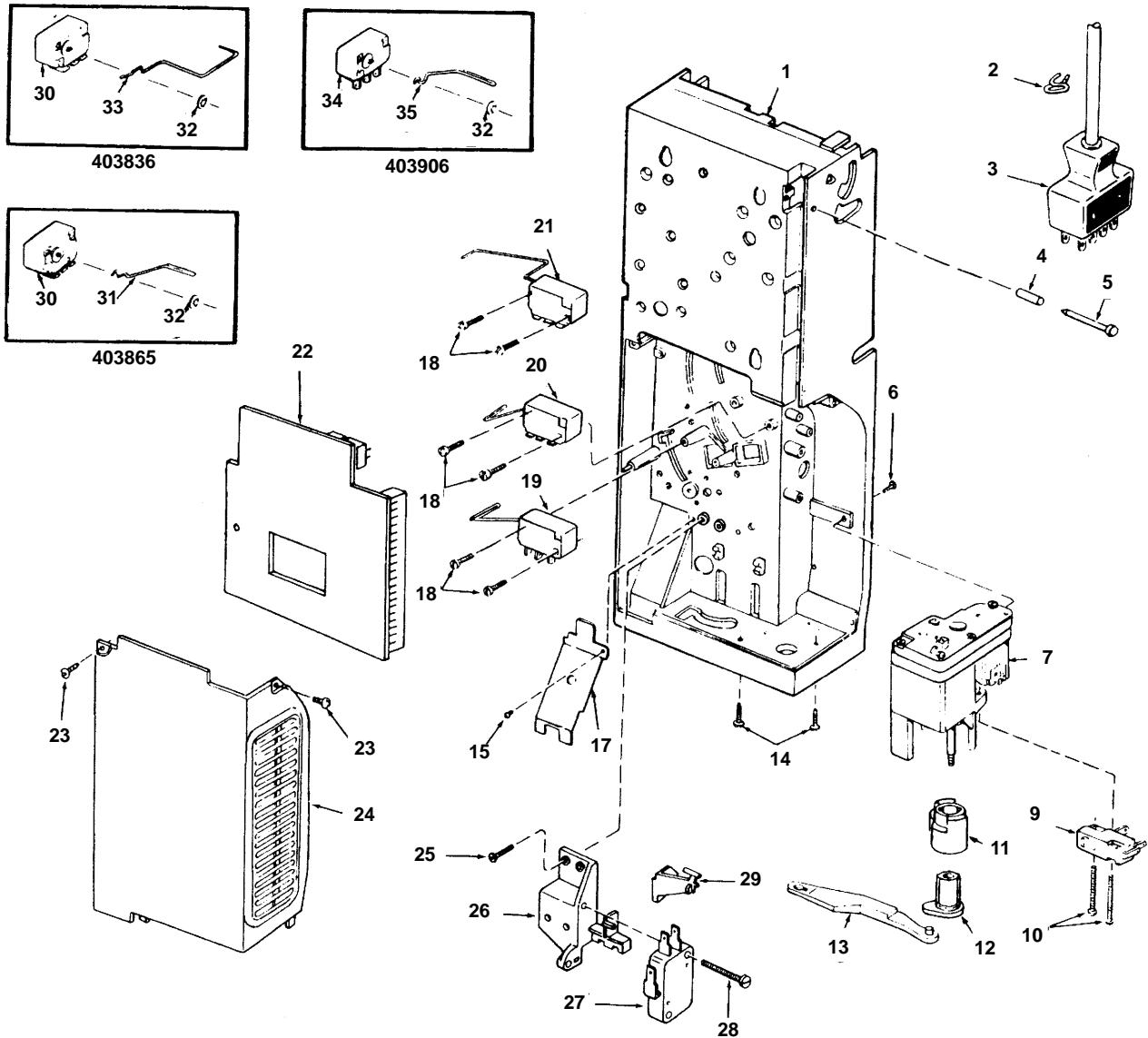
2034

Coinco				Coinco			
Index No.	Part No.	Manitowoc's P/N	Description	Index No.	Part No.	Manitowoc's P/N	Description
1	902010	—	Acceptor Latch Left.	17	400996	—	5 Cent Chute Assembly
2	902013	—	Housing.	18	901496	—	5 Cent Chute Cover
3	902508	—	Flat Hd. Screw Special Plastite.	19	345415	—	#4x15/16 Pan Hd. Screw Plastite.
4	—	—	Open	20	902825	—	Switch Wire Protector
5	9025081	—	Flat Hd. Screw Special Plastite.	21	34545	—	#4x5/16 Pan Hd. Screw Plastite
6	902011	—	Acceptor Latch Right	22	10265	—	#6-32 x 5/16" Flat Hd. Screw
7	403380	—	25¢ Coin Ret. Electromagnet Assy.	23	900606	—	Slug Chute Cover
8	403379	—	5-10¢ Coin Ret. Electromagnet Assy.	24	—	—	Open
9	901303	—	Slide Switch	25	325418	—	#4x1-1/8 Pan Hd. Screw Taptite
10	325412	—	#4x3/4 Pan Hd. Screw Taptite	26	—	—	Open
11	901941	—	Payout Slide	27	403358	—	Transformer Assembly
12	902093	—	Bottom Cover	28	902303	—	Transformer Mounting Bracket
13	900613	—	Base Chute Spring	29	902234	—	25 Cent Electromagnet Armature
14	901494	—	Base Chute	30	902284	—	C.R.E.M. Compression Spring
15	345410	—	#4x5/8 Pan Hd. Screw Plastite	31	403382	—	C.R.E.M. Assembly
16	903207	—	10-25 Cent Coin Chute.	32	902233	—	510 Cent Electromagnet Armature

NOTE: Manitowoc stocks only the parts with a Manitowoc part number given. For prompt and efficient service, contact the local Coin Acceptors, Inc. Sales and Service Office.

AC0370, CONTINUED

REAR VIEW – DETAIL E
COINCO COIN CHANGER S759800A, COIN ACCEPTORS, INC.



2035

Index No.	Coinco Part No.	Manitowoc's P/N	Description	Qty.	Index No.	Coinco Part No.	Manitowoc's P/N	Description	Qty.
1	902013	—	Housing	1	19	403906	—	25¢ Coin Switch and Wire Assembly	1
2	902091	—	Cable Clamp	1	20	403865	—	10¢ Coin Switch and Wire Assembly	1
3	403853	2510223	Harness Kit	1	21	403836	—	5 Cent Coin Switch and Wire Assembly	1
4	90141447	—	Plastic Tubing	1	22	903036	—	Lower Logic Board	1
5	902077	—	Harness Retainer Pin	1	23	345410	—	No. 4x5/8" Pan Head Screw Plastite	2
6	34146	—	No. 4x3/8" Flat Head Screw Plastite	1	24	9028672	—	Back Cover	1
7	403461	—	DC Motor and Gear Case Assembly	1	25	34545	—	No. 4x5/16" Pan Head Screw Plastite	2
8	—	—	Open	—	26	903527	—	Empty Lever and Switch Bracket	1
9	902269	—	Switch	1	27	903867	—	Switch	1
10	325410	—	No. 4x5/8" Pan Head Screw Taptite	2	28	325410	—	No. 4x5/8" Pan Head Screw Taptite	2
11	902650	—	Carrier and Pulse Cam	1	29	903528	—	5 Cent Tube Empty Lever	1
12	902651	—	Drive Arm Cam	1	30	902814	—	Switch	2
13	902067	—	Drive Link	1	31	9019951	—	10 Cent Coin Switch Wire	1
14	345410	—	No. 4x5/8" Pan Head Screw Plastite	2	32	900651	—	Switch Wire Retainer	3
15	34544	—	No. 4x1/4" Pan Head Screw Plastite	1	33	902759	—	5 Cent Coin Switch Wire	1
16	—	—	Open	—	34	9028141	—	Switch	1
17	900648	—	Cash Box Baffle	1	35	903203	—	25 Cent Coin Switch Wire	1
18	345413	—	No. 4x13/16" Pan Head Screw Plastite	6					

NOTE: Manitowoc stocks only the parts with a Manitowoc part no. given. For prompt and efficient service, contact the local Coin Acceptors, Inc. Sales and Service Office.

INTENTIONALLY LEFT BLANK