



# Manitowoc

## AM-0361 SERIES ICE DISPENSER



**Manitowoc equipment works**  
Division of The Manitowoc Company, Inc.,

MANITOWOC  
WISCONSIN

80-0050-3

TABLE OF CONTENTS

Uncrating and Inspection .....	Page 2
Location and Installation .....	Page 2
Opening Front Door Panel .....	Page 2
Electrical Connections .....	Page 2
Final Check List for Dispenser Bin .....	Page 2
How the Dispenser Works .....	Page 3
Serial and Electrical Plate .....	Page 3
General Requirements .....	Page 3
Connecting Power Supply To Ice Dispenser .....	Page 3
Connecting Power Supply To Ice Cuber .....	Page 4
Connecting Dispenser Bin Water Drain Lines .....	Page 4
Connecting Water Supply To Ice Cuber .....	Page 4
Check List for Starting Ice Cuber .....	Page 4
Optional Bin Components .....	Page 4
Removing Motor and Gear Assy. ....	Page 4
Removing Electric Motor From Gear Reducer .....	Page 5
Removing Auger Assy. ....	Page 5
Push Button Ice Control .....	Page 5
Transformer .....	Page 5
Gear Reducer .....	Page 5
Upper Bearing Assy. ....	Page 6
Lower Bearing Assy. ....	Page 6
Key Operated Lock-Out Switch .....	Page 6
Removing Lock-Out Switch .....	Page 6
Key Operated Ice Switch .....	Page 6
Ice Cuber Rear Mounting Clip .....	Page 7
Mounting Front of Ice Cuber to Dispenser .....	Page 7
Dimensions — Dispenser Bin .....	Page 8
Specifications — Dispenser Bin .....	Page 8
Ice Making Section Specifications .....	Page 9
Ice Making Section Dimensions .....	Page 9
Fig. 1 — .....	Page 10
Fig. 2 — .....	Page 11
Fig. 3 — .....	Page 12
Fig. 4 — .....	Page 13
Fig. 5 — .....	Page 14
Fig. 6 — .....	Page 15
Fig. 7 — .....	Page 15
Fig. 8 — .....	Page 16
Fig. 9 — Lower Bearing Assy. ....	Page 17
Fig. 10 — Lower Bearing & Seal Assy. ....	Page 18
Fig. 11 — .....	Page 19
Fig. 12 — Love-Joy Coupling with Spider .....	Page 20
Fig. 13 — Ice Control Switch .....	Page 21
Fig. 14 — Key Lock-Out Switch Assy. ....	Page 22
Wiring Diagram .....	Page 23
Junction Box Hook-Up .....	Page 24
Service Analysis .....	Page 25
Cleaning Instructions .....	Page 26
Service and Parts Procedures .....	Page 26 & 27
Warranty .....	Page 28

## **FORWARD**

Manitowoc Equipment Works, Division of The Manitowoc Company, Inc., Manitowoc, Wisconsin, presents this Service Manual to assist the serviceman with information concerning Construction, Installation and Maintenance of the Manitowoc AM-0361 ice dispenser.

The problems of the user and the serviceman have been given special emphasis in the development of the latest Manitowoc ice machines and dispensers.

If you encounter a problem which is not answered by the manual, please feel free to write or call the Service Department of the Manitowoc Equipment Works, Division of the Manitowoc Co., Inc., Manitowoc, Wisconsin 54220, describing the problem you have encountered. The Service Department will be happy to give you particularized advice and assistance. Whenever calling or writing, please state the complete model and serial number of the ice making & ice dispenser equipment.

## **MODELS**

This manual covers the following model.

AM0361 Dispenser with single dispensing spout (long)

Please refer to the Ice Cuber Service Manual for additional information required regarding installation, maintenance and servicing of the following ice cuber models which are adaptable to the Ice Cube Dispenser Bin.

AD0202A  
AD0402A

AD0203W  
AD0403W

## UNCRATING & INSPECTION

The AM0361 ice cube dispenser bin is shipped to you in a heavy cardboard carton to help prevent damage in transit. Upon delivery of the ice dispenser, inspect the carton thoroughly before signing the freight bill and uncrating the dispenser. If the carton should show signs of rough handling have delivering carrier note freight bill that possible damage may exist.

To uncrate the dispenser remove banding along the lower bottom edge of the carton. Remove the carton by sliding up and off of dispenser. Remove the four (4) corner posts and inner carton. Inspect dispenser for possible concealed damage. If damage is evident notify carrier at once for their inspection. Be sure to hold carton for their inspection. Upon completion of their inspection file a freight claim with the delivering carrier.

Remove the four skid bolts from bottom of skid and remove skid. Unpack the four 606 adjustable legs shipped with dispenser. Screw the 606 legs into the four (4) holes in bottom of dispenser. These are the holes that the skid bolts were removed from.

## LOCATION & INSTALLATION

After legs are securely in place, locate Dispenser Bin in desired location. Be sure to allow enough height for the ice cuber section to be installed on top of Dispenser bin.

Once Dispenser bin is located, allow a minimum of 5 inches on all sides for air circulation. Level bin side to side and front to back. Remove all shipping tape and packaging from bin.

Unlock and swing open front door (Fig. 1). Remove the 14 thumb screws fastening auger access panel to front of bin liner (Fig. 3). Remove wooden shipping wedge placed between top of auger and upper bearing assy. This wedge is to hold auger in place during shipping (See Fig. 4).

Uncrate your Manitowoc ice cuber and refer to the Service Manual found in the instruction envelope packed inside the ice cuber. Carefully set the ice cuber on top of the Dispensing bin. Be sure cuber is set squarely on the Dispenser bin to insure accurate ice delivery into the dispenser bin.

## OPENING FRONT DOOR PANEL

Insert key into front door panel lock (See Fig. 1). Unlock front door panel and swing door open (See Fig. 3).

## ELECTRICAL CONNECTIONS

115 VAC — 60 Hertz — Single Phase (Requires separate outlet) 15 amps Max.

See ice cuber service manual for ice cuber electrical connections.

## FINAL CHECK LIST FOR DISPENSER BIN

1. Is Dispenser bin level? (Important)
2. Refer to ice cuber service manual and find check list for checking ice cuber.
3. Has wooden shipping wedge been removed from top of auger and upper bearing assy? (See Fig. 4)
4. Has owner been instructed on how to operate and clean ice dispenser and ice cuber?
5. Have warranty registration cards for both Dispenser and Ice Cuber been filled out properly and mailed to our Service Dept? This is for the owner's protection in order that equipment can be registered to validate the warranty.
6. Has electrical box cover been replaced?

## HOW THE DISPENSER WORKS

The Model AM0361 ice Dispenser is designed to store up to 280 lbs. of crystal clear cubes. (This is based on 35 lb. per cu. ft. at 90% of bin volume.)

The Dispenser is designed to be used with only one of the following Manitowoc model Ice Cubers:

AD0202A	AD0203W
AD0402A	AD0403W

These ice cubers manufacture 7/8 inch dice cubes and are the only recommended ice cubers.

After the combination ice cuber and dispenser bin are installed, allow the ice cuber to operate 5 to 6 hours before dispensing ice. When this time period has elapsed there will be a sufficient amount of ice in the Dispenser Bin to enable the ice to be dispensed. See key operated lock out switch Page 6.

To dispense the ice place container directly under the Dispenser spout. Push ice control button to begin ice delivery. When required amount of ice is delivered, merely release the ice control button to discontinue ice delivery.

The ice cuber delivers its ice into the Dispensing Bin in its normal manner. The 4 inch auger by revolving conveys the ice up to the ice chute opening. The ice then falls through this opening into the Dispensing spout and into the container.

The auger is driven at a slow RPM by a 1/4 HP motor through a speed reducing gear train located in the compartment below the ice storage bin (See Fig. 5)

The opening in the ice delivery chute is designed to reject clusters of ice cubes. These rejected cubes are either sheared by the chute or are dropped off the auger back into the bin to be re-dispensed.

Model AM0361 has one ice dispensing spout and one ice button control. When pushing the ice button control ice will be delivered from the ice spout.

When ice is dispensed from the bin it is replaced by the ice cuber as per the specification charts on Page 9. This continual falling of ice into the storage bin, keeps the ice loose for maximum dispensing capacity of the dispenser.

The water created by some melting of the ice is drained out through the bin drain connections located in rear of the Dispenser (See Fig. 5). Condensation forming on the outside of the storage bin will run down into the bin base drain pan and out through the base drain connection located in the rear of the Dispenser (See Fig. 5).

## SERIAL AND ELECTRICAL PLATE

The combined serial number and electrical plate is located on outside of the dispenser on upper right hand side front corner. Be sure to send complete model and serial number of your dispenser when calling or writing for parts or service.

## GENERAL REQUIREMENTS

All electrical and water supply and drain connections must conform to local codes.

## CONNECTING POWER SUPPLY TO ICE DISPENSER

Your cuber Dispenser should be connected to a separately fused circuit. Fuse size must not exceed maximum fuse size shown on the electrical plate.

All electrical wiring connected to your Dispenser must be rated equal to the minimum circuit ampacity shown on the electrical plate.

Remove rear access panel (Fig. 2) and place electrical supply leads separately fused through the electrical supply hole (Fig. 2). Remove cover from electrical wiring box and connect the lead in wires to wires in electrical wiring box (Fig. 3). The two leads go to lead wires marked #1 and #8. See wiring diagram Page 23 & 24.

## CONNECTING POWER SUPPLY TO ICE CUBER

Refer to ice cuber service manual found inside instruction envelope inside ice cuber.

## CONNECTING DISPENSER BIN WATER DRAIN LINES

Connect drain lines to the two ½" female pipe fittings in rear of the Dispenser (See Fig. 5). It is essential that drain connections be made so waste water cannot back up into the bin. Check all local plumbing codes. All Dispenser drain connections are labeled. Drain lines must be at least ½" inside diameter and have 1½" drop per 5 feet of run. We recommend covering all incoming water drain lines with a plumbing insulation material to prevent condensation.

## CONNECTING WATER SUPPLY TO ICE CUBER

Refer to cuber service manual found inside instruction envelope inside ice cuber.

## CHECK LIST FOR STARTING ICE CUBER

Refer to service manual found inside instruction envelope inside ice cuber.

## OPTIONAL BIN COMPONENTS

To replace or change dispensing spout (See Fig. 4) for location of dispensing spout mounting screws.

## REMOVING MOTOR & GEAR DRIVE ASSY.

To remove the complete auger drive motor and gear reducer from rear of the Dispenser for maintenance or replacement proceed as follows:

1. Unlock and swing open front door.
2. Remove rear access panel (Fig. 2) by removing the four mounting screws (Fig. 2).
3. Shut off power to Dispenser and disconnect power lead wires inside junction box (Fig. 3).
4. Remove bin support bracket from rear gear drive mtg. bracket (Fig. 5 & 7) and the two sheet metal screws holding bin support bracket to bottom of bin liner.
5. Loosen the four machine screws (Fig. 3 & 5) holding the front and rear mtg. brackets to gear reducer. This will allow the gear reducer and motor assy. to drop down partially disengaging the coupling on the reducer drive shaft.
6. Loosen the set screws on both upper and lower halves of the coupling (See Fig. 12). Slide upper coupling up on lower bearing shaft so it will be out of the way.
7. Slide lower half of coupling up and off of the reducer drive shaft.
8. Remove the four machine screws mtg. front bracket to the gear reducer (Fig. 6).
9. Remove the four machine screws (Fig. 5 & 7) mtg. rear bracket to the dispenser base.
10. Complete gear reducer and motor with rear mtg. bracket can be removed from the dispenser through the rear access opening.
11. To reassemble reverse the above procedures in Item 10, 9, 8, 7, 6, 5 and 4.

## REMOVING ELECTRIC MOTOR FROM GEAR REDUCER

1. Remove mtg. bolts holding electrical drive motor to gear reducer (See Fig. 8).
2. Using a slotted screw driver start to pry motor loose from gear reducer. Once separation has started screw driver will no longer have to be used since the assy. comes apart quite easily.

## REMOVING AUGER ASSY.

To remove the auger assy. for cleaning or maintenance proceed as follows:

1. Unlock front door and swing open (See Fig. 3).
2. Remove the 14 thumb screws fastening auger access door to bin liner (See Fig. 3) and remove auger access door.
3. Lift auger (Fig. 4) up to disengage bottom of auger from lower bearing drive shaft. Move bottom of auger to the side and pull down to disengage it from upper bearing assy. Auger assy. can now be removed from inside of the bin.
4. To reinstall the auger assy. reverse the above procedure. Make sure bottom end of auger is properly seated on lower bearing drive shaft at bottom of the bin.
5. Note that the slot on top of auger shaft is longer than slot on bottom of auger shaft.

## PUSH BUTTON ICE CONTROL

This ice control button when pushed starts gear drive motor causing auger to revolve conveying ice up to the ice chute opening and out into ice dispensing spout.

Should ice control button have to be replaced (See Fig. 13) and proceed as follows:

1. Unlock front door.
2. Shut off power to dispenser.
3. Remove switch box cover (Fig. 3).
4. Pull down and out on top of switch unit. Switch unit will separate from lamp housing.
5. Disconnect lead wire to switch unit and replace.
6. To reassemble reverse the above procedure.

To replace the ice control switch lamps (See Fig. 13) and proceed as follows:

1. Shut off power to dispenser.
2. From front of dispenser door grasp display screen with finger and pull out. Complete lampholder will come out. Lamps can be removed from the back side of lampholder. Replace lamp or lamps and push back into the door (See Fig. 13).

## TRANSFORMER

The purposes of the transformer is to reduce line voltage for lamps in ice control button.

Transformer is located in the electrical box mounted to the base of the Dispenser (See Fig. 3 & 8).

## GEAR REDUCER

The gear reducer has a red vent and fill plug located on top of the reducer (See Fig. 8). This plug is vented to prevent pressure from building up inside of gear reducer and blowing out the oil seals. Due to slow RPM of the gear reducer there should be no need to change the oil in the gear reducer.

Should the oil have to be replaced remove the red vent and fill plug and refill with 9 oz. of #600W Mobil oil.

Grease fitting on top of gear reducer is used in production to grease upper gear reducer bearing. Due to the slow RPM of gear reducer there should be no need to grease upper bearing on reducer.

## UPPER BEARING ASSY.

Upper bearing assy. is located near the top of dispenser, above the auger (See Fig. 4). Remove the auger assy. then remove the three mounting bolts fastening bearing assy. to top liner support rail (See Fig. 4).

## LOWER BEARING ASSY.

Lower bearing assy. consists of a lower bearing housing, bearing, lower bearing shaft and pin, lower seal housing and lower seal (See Fig. 10). To disassemble the lower bearing assy. proceed as follows:

1. Auger out ice from dispenser.
2. Remove auger access door and remove rest of ice from bottom of storage bin.
3. Remove gear drive and motor assy. as explained on Page 4 under heading REMOVING MOTOR & GEAR DRIVE ASSY.
4. Remove the three 3/8-16 x 2¼ lg. hex lock nuts located at outside of bin liner in gear drive and motor compartment (See Fig. 9).
5. Remove three bearing mtg. bolts from inside of bin (See Fig. 10).
6. Remove drive pin from lower bearing drive shaft (See Fig. 10). This pin is in extremely tight so it will not work itself loose. A hammer and drift pin will have to be used to remove it.
7. Lower bearing seal housing can now be removed from bottom of bin liner (See Fig. 10).
8. Lower bearing housing, shaft and lower seal can now be removed (See Fig. 10 & 11).
9. To replace reverse the above procedure. Make sure to use RTV sealer to seal lower bearing seal housing and lower bearing housing to bottom of bin liner (See Fig. 10).

## KEY OPERATED LOCK-OUT SWITCH

A key operated lock-out switch was added to the AM36I starting with Serial Number 06439.

This key operated lock-out switch will permit the customer to lock up the dispenser preventing the dispensing of ice. For location of key lock-out switch see Fig. 1.

## REMOVING LOCK-OUT SWITCH

Should the lock-out switch need replacement proceed as follows:

1. Disconnect power to the Dispenser.
2. Unlock and open front door.
3. Remove switch box cover.
4. Remove switch wire leads and mtg. screws and remove switch (See Fig. 14).
5. To replace key lock remove lock retainer hex nut located in junction box and remove lock from outside of dispenser.

## KEY OPERATED ICE SWITCH

This key operated ice switch is used in place of the ice control switch. It is not standard equipment and is available only on special request. This key operated ice switch will eliminate unauthorized use of the dispenser. Ice can only be dispensed by using the key to operate the ice switch.

Should the key operated ice switch have to be replaced proceed as follows:

1. Disconnect power to dispenser.
2. Remove the two lead wires fastened to key operated ice switch.
3. Remove hex retainer nut holding key lock switch to door.
4. Remove key lock switch from front side of door.
5. Replace key lock switch and install by reversing the above procedure.

**ICE CUBER REAR MOUNTING CLIP**

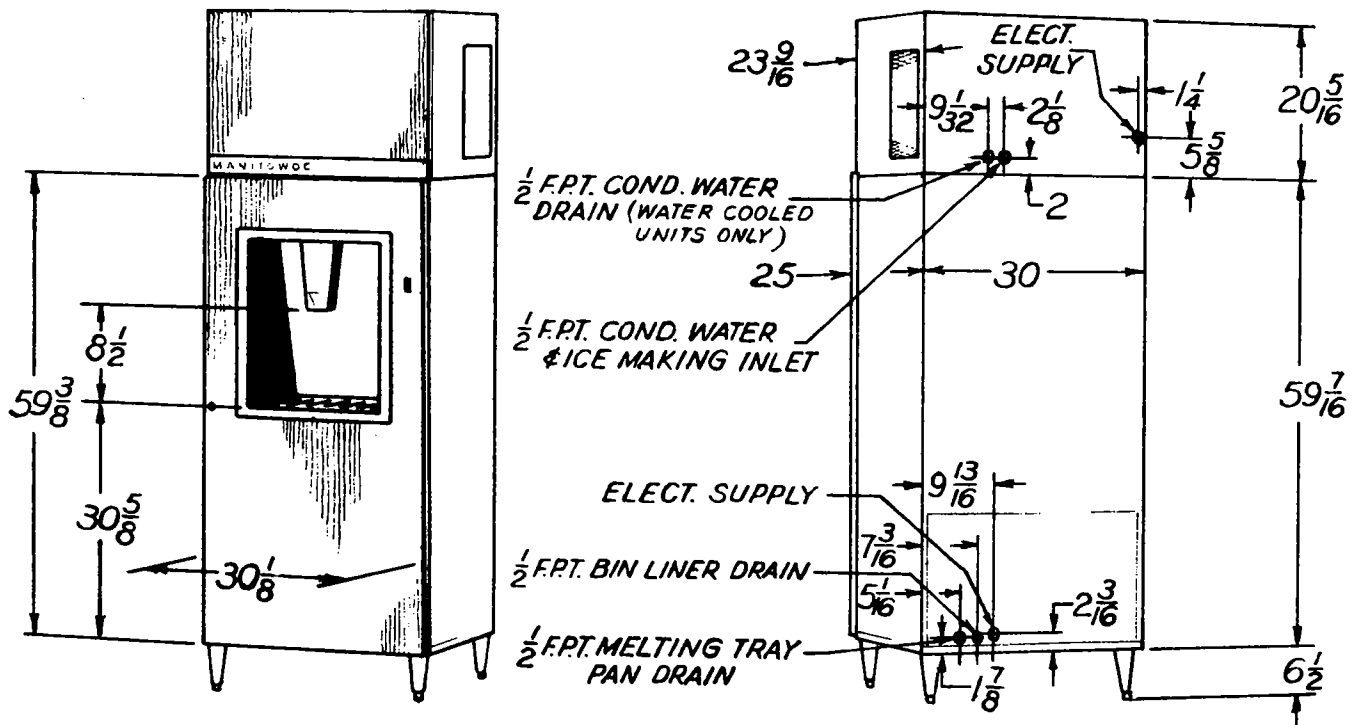
To secure the ice cuber to the dispenser you will find mtg. clip and three 8 x ½" mtg. screws packaged separately and taped to the box of 606 legs. The box of 606 legs is taped to the dispenser base inside the dispenser. See Fig. 2 for location of rear mtg. clip.

After ice cuber has been properly mounted on top of dispenser, remove ice cuber center rear panel mtg. screw (See Fig. 2). Using the oval shaped hole in clip mount loosely to ice cuber. Adjust clip until bottom clip hole lines up with hole in center of dispenser (See Fig. 2). Insert 8 x ½ sheet metal screw, packaged with rear mtg. clip. The remaining two sheet metal screws are to be used to mount front of ice cuber to dispenser. (See mounting front of cuber to dispenser.)

**MOUNTING FRONT OF ICE CUBER TO DISPENSER**

Once the ice cuber has been properly mounted on dispenser bin locate the two holes in bin top support rail (See Fig. 4 Item #8). Using these two holes as a guide drill two holes into the base of the ice cuber. Using two of the 8 x ½ sheet metal mounting screws packaged with rear mounting clip fasten front of ice cuber to dispenser.

**DIMENSIONS — AM-0361 Dispenser Bin — with  
"400" Series Cuber — 606 Adjustable Legs**



## SPECIFICATIONS \*

**BIN STORAGE CAPACITY** is 280 lbs. (based on 35 lbs. per cu. ft. at 90% of the bin volume). Bin interior constructed of Cyclac™ and stainless steel. Approximate shipping weight 350 lbs. Dimensions — 65-15/16" high (on 6½" legs) x 30" wide x 25" deep.

**ELECTRICAL CHARACTERISTICS** 115 VAC — 60 Hertz — Single Phase (requires separate outlet). Minimum ampacity 5 amps.

**INSTALLATION.** Simple and quick — Electrical and drain connections are at the back. Allow a minimum of 5 inches of clearance on both sides and in the back for all models.

**SERVICE.** Front panel is hinged on the right side and secured with a screw lock to prevent unauthorized entry. When cleaning or service is required all work can be performed after the hinged door is opened.

**WARRANTY.** One year from installation date on all parts. Four year additional compressor warranty at no additional cost. (For details see "Ice Machine and Bin Warranty.")

**LEGS** . . . Cast aluminum legs No. 606 adjust from 6½" to 7½".

### Ice Making Section Specifications

"200" SERIES ICE PRODUCTION (Pounds per 24 Hours)	Incoming Water Temp. (F)		Room Temperature (F)		
			70°	80°	90°
	Air Cooled Unit	50° 70° 90°	195 172 160	172 157 142	150 141 125
	Water Cooled Unit	50° 70° 90°	176 156 147	170 152 140	165 150 135

"400" SERIES ICE PRODUCTION (Pounds per 24 Hours)	Incoming Water Temp. (F)		Room Temperature (F)		
			70°	80°	90°
	Air Cooled Unit	50° 70° 90°	330 290 250	300 260 220	270 230 190
	Water Cooled Unit	50° 70° 90°	380 340 300	370 330 290	360 320 280

### Ice Making Section Dimensions

MODELS	"200" SERIES	
	AD-0202A	AD-0203W
Height	16-5/8"	16-5/8"
*Width	30"	30"
Depth	23-9/16"	23-9/16"
Approx. Ship. Wt. (lbs.)	186	170
Compressor Size	1/3 H.P.	1/3 H.P.

MODELS	"400" SERIES	
	MHD-337A	MHD-347W
Height	20-5/16"	20-5/16"
*Width	30"	30"
Depth	23-9/16"	23-9/16"
Approx. Ship. Wt. (lbs.)	232	233
Compressor Size	1/2 H.P.	1/2 H.P.

**NOTES:** All Ice Cubers described are equipped for "Dice" Cube production. "A" Models are air cooled — "W" Models water cooled.  
**ELECTRICAL CHARACTERISTICS** . . . 115 VAC — 60 Hertz — Single Phase. **MINIMUM AMPACITY** ("200" Series) is 15 amps — ("400" Series) 20 amps. Separate outlet required for "200" and "400" Series Machine section.

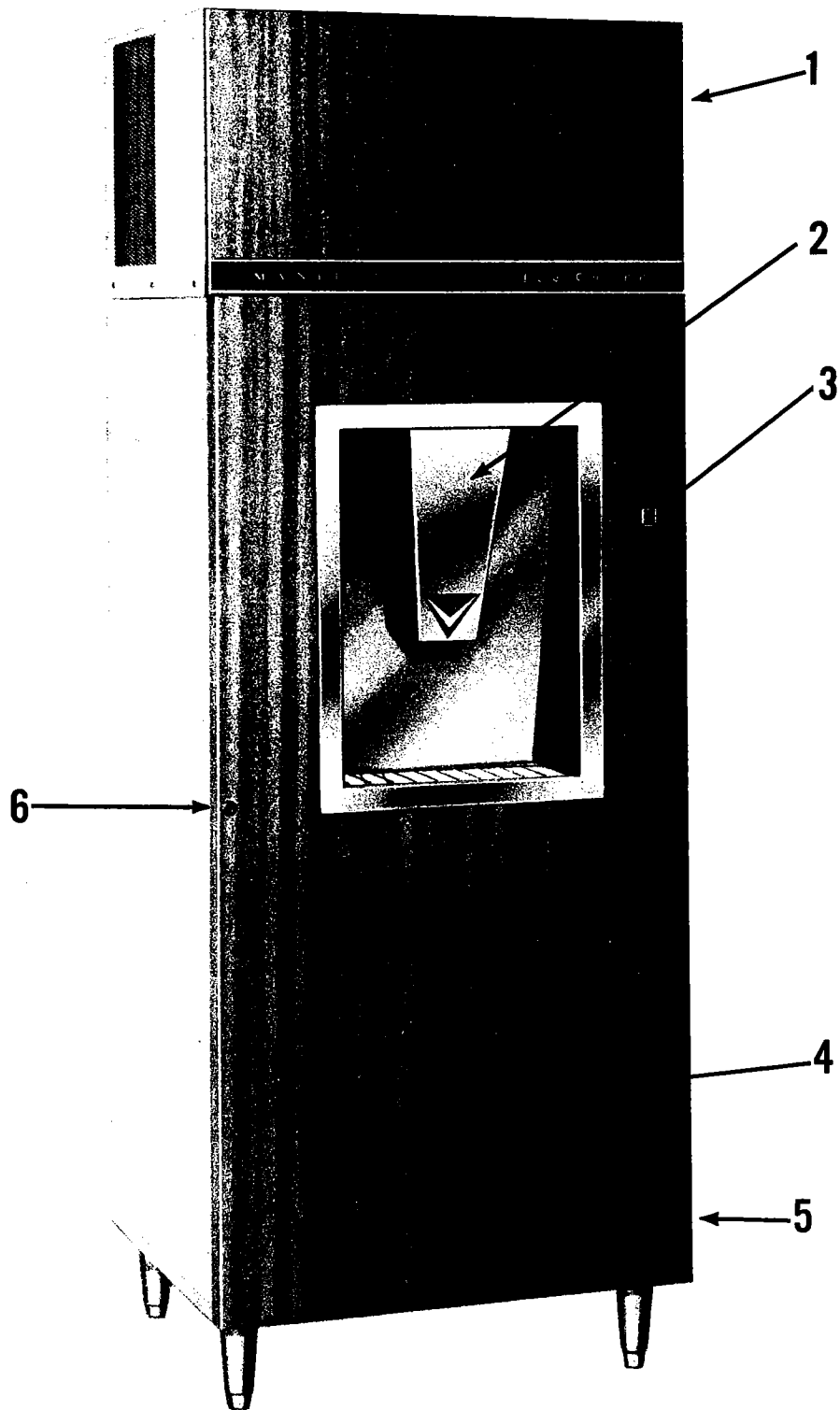


FIG. 1

1. A0403W Ice Cuber
2. Ice dispensing spout.
3. Ice control switch.
4. Front main door panel.
5. Location of key operated lock-out switch (on R.H. Side Panel).
6. Front door panel key lock.

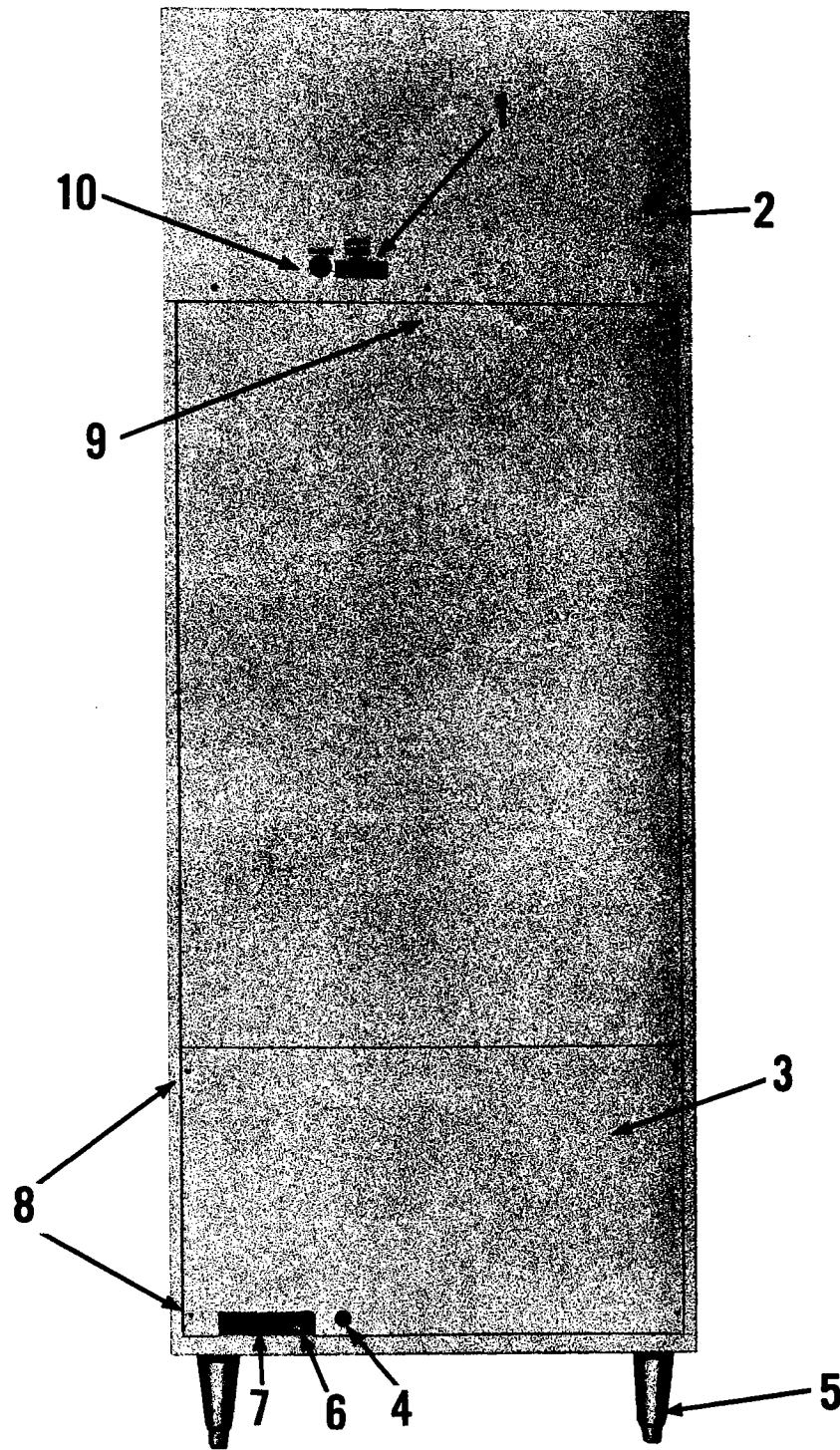


FIG. 2

1. Fresh water inlet for ice cuber.
2. Electrical inlet for ice cuber.
3. Rear access panel.
4. Dispenser electrical inlet opening.
5. 606 bin leg.
6. Bin drain fitting.
7. Melting tray & bin liner pan drain fitting.
8. Rear access panel mtg. screws.
9. Location of rear mtg. clip fastening ice cuber to bin.
10. Ice cuber water condenser drain (Water cooled only).

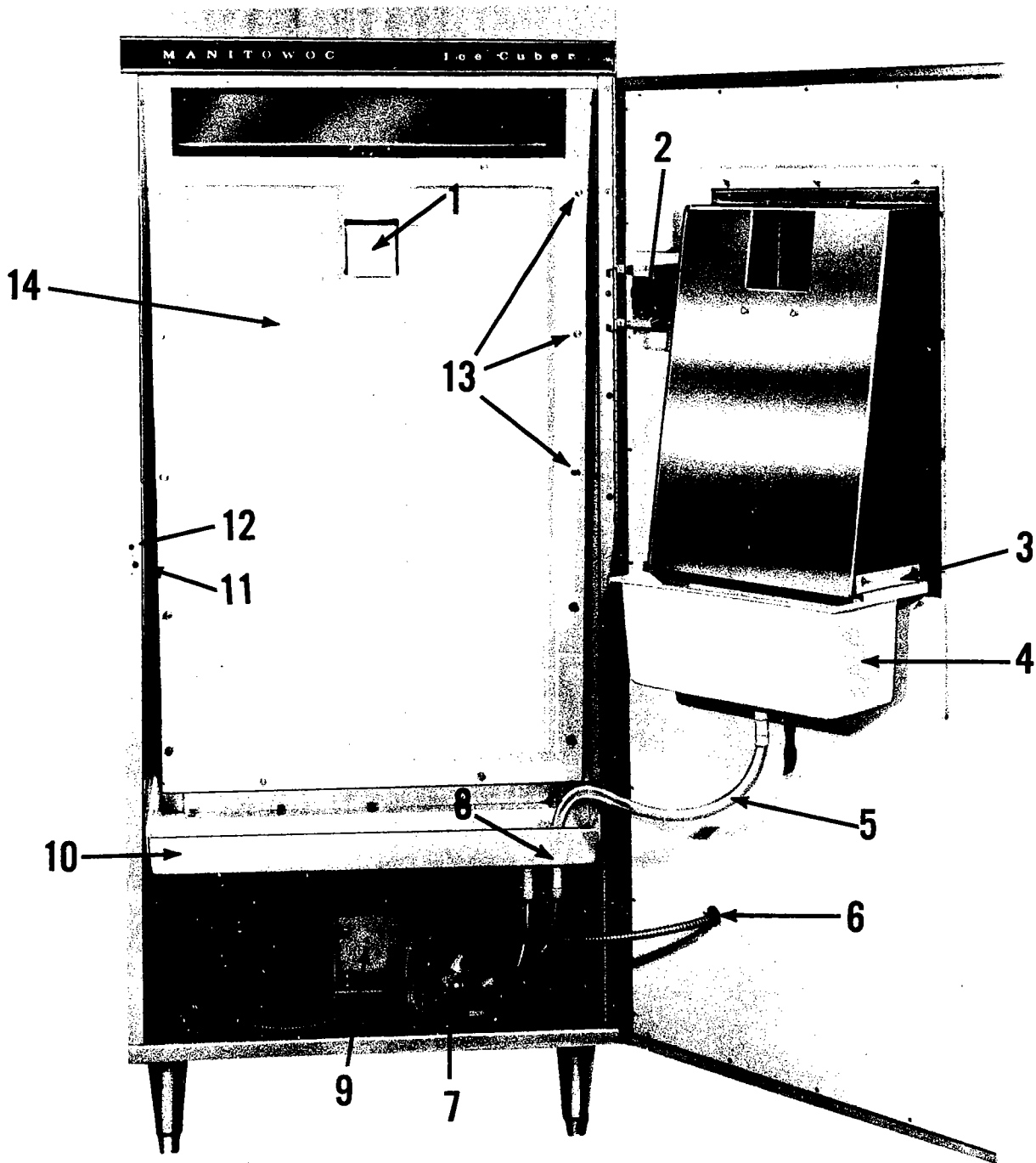


FIG. 3

- |  |   |
|--|---|
| 1. Ice chute damper door.                  | 8. Bin liner drain pan and melting tray drain tubing to rear drain fitting. |
| 2. Ice control switch.                     | 9. Gear reducer front mtg. bracket w/mtg. screws.                           |
| 3. Melting tray retainer.                  | 10. Bin liner drain pan.  |
| 4. Melting tray.                           | 11. Main door lock bolt opening and tapping plate.                          |
| 5. Melting tray drain.                     | 12. Door locating pin opening.  |
| 6. Electrical leads to ice control switch. | 13. Auger access door (14) mtg. thumb screws.                               |
| 7. Electrical box with cover off.          | 14. Auger access door.  |

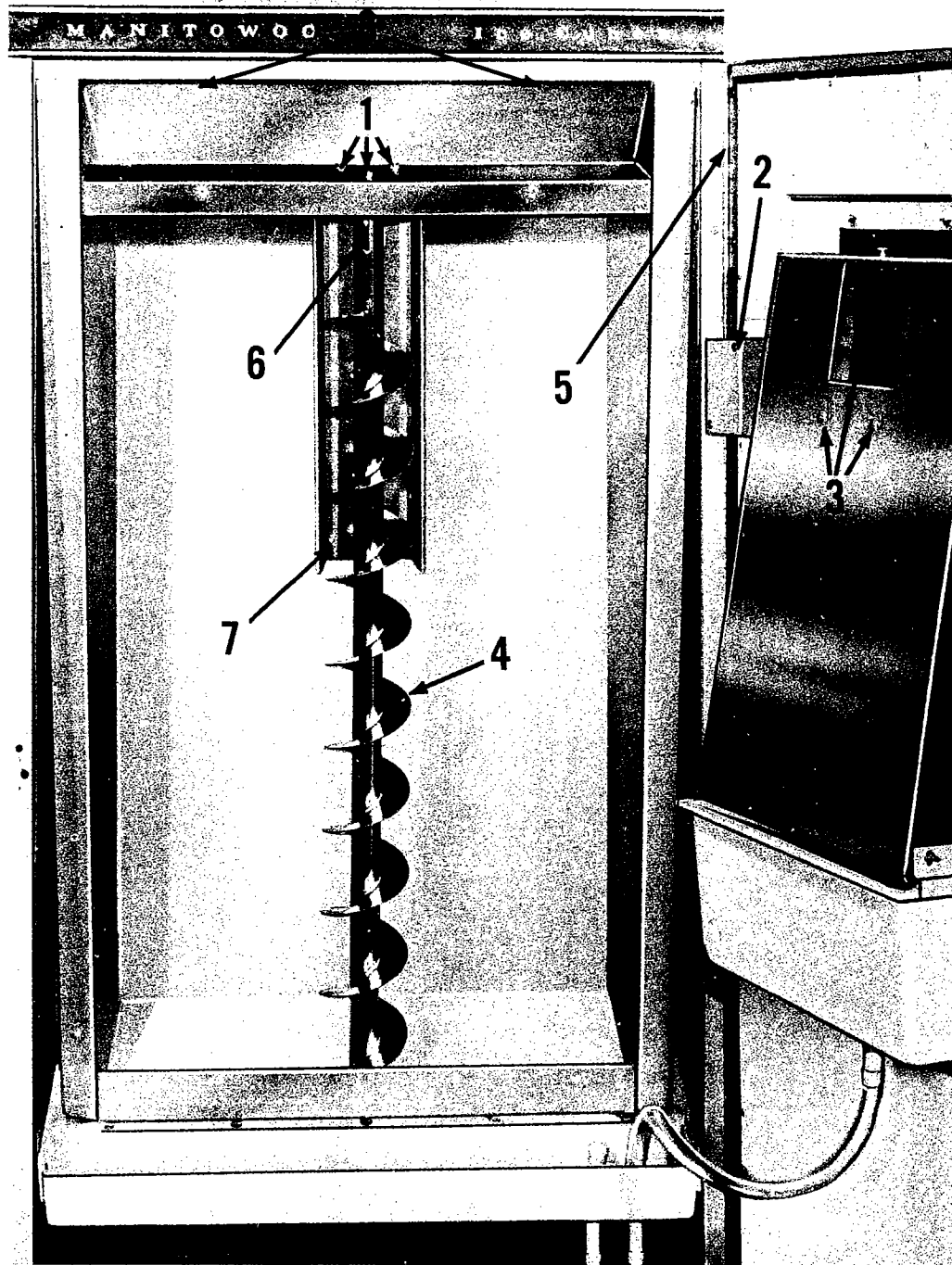


FIG. 4

1. Upper bearing mtg. screws.
2. Ice switch housing cover.
3. Ice spout mtg. thumb screws.
4. Auger.
5. Door hinge.
6. Location of wooden shipping wedge that must be removed before starting dispenser.
7. Auger ice chute.
8. Location for front mtg. hole (to fasten front of ice cuber to dispenser. These holes are in bin top support rail and are approximately 8" in from outside of cabinet.

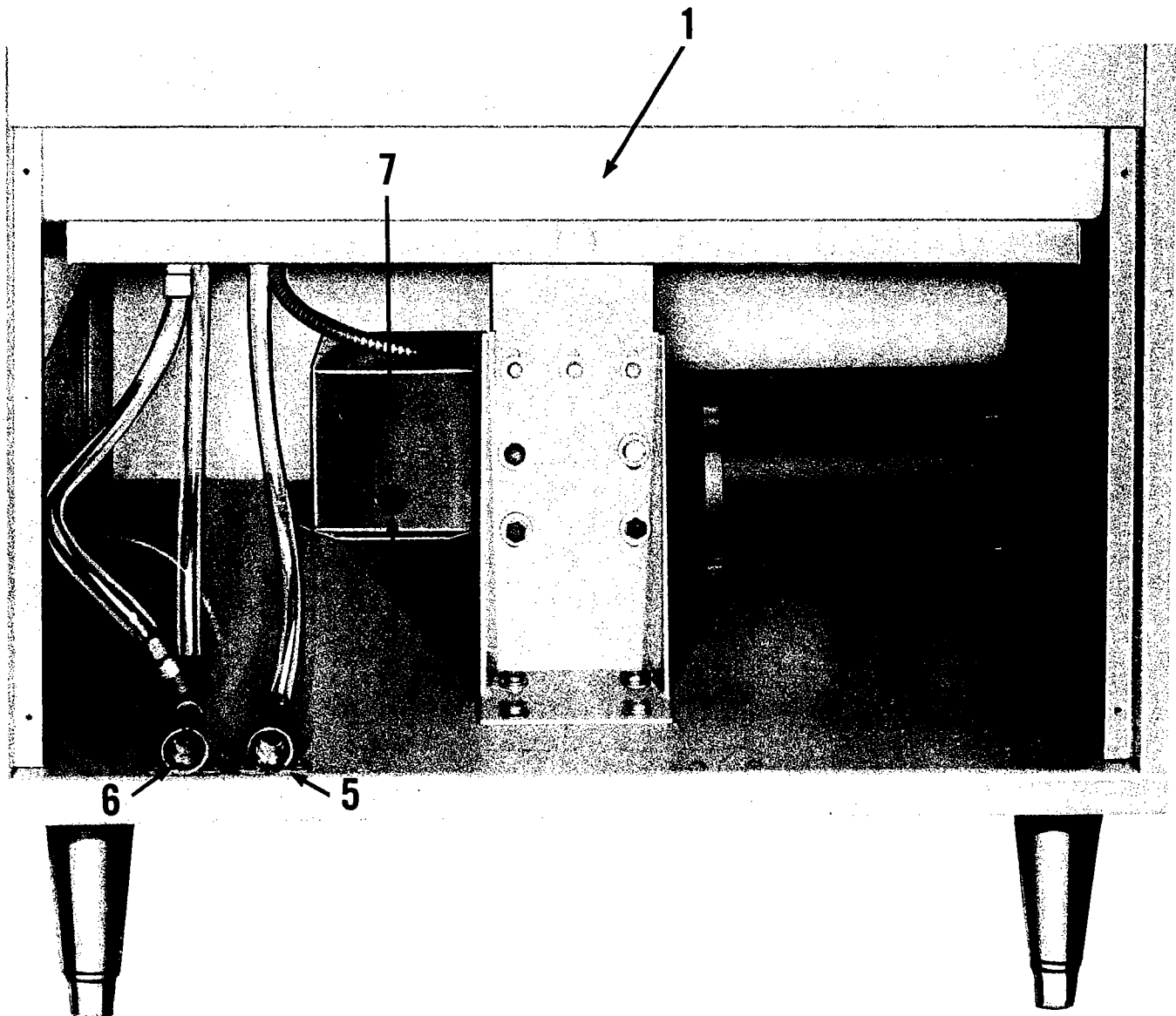


FIG. 5

1. Bin liner drain pan.
2. Gear drive motor.
3. Gear reducer rear mtg. bracket assy. w/rear bin liner support bracket attached.
4. Electrical opening in electric box.
5. Bin drain fitting and tubing. Shown without insulated covering.
6. Melting tray and bin liner drain pan drain fitting and tubing.
7. Electrical junction box.

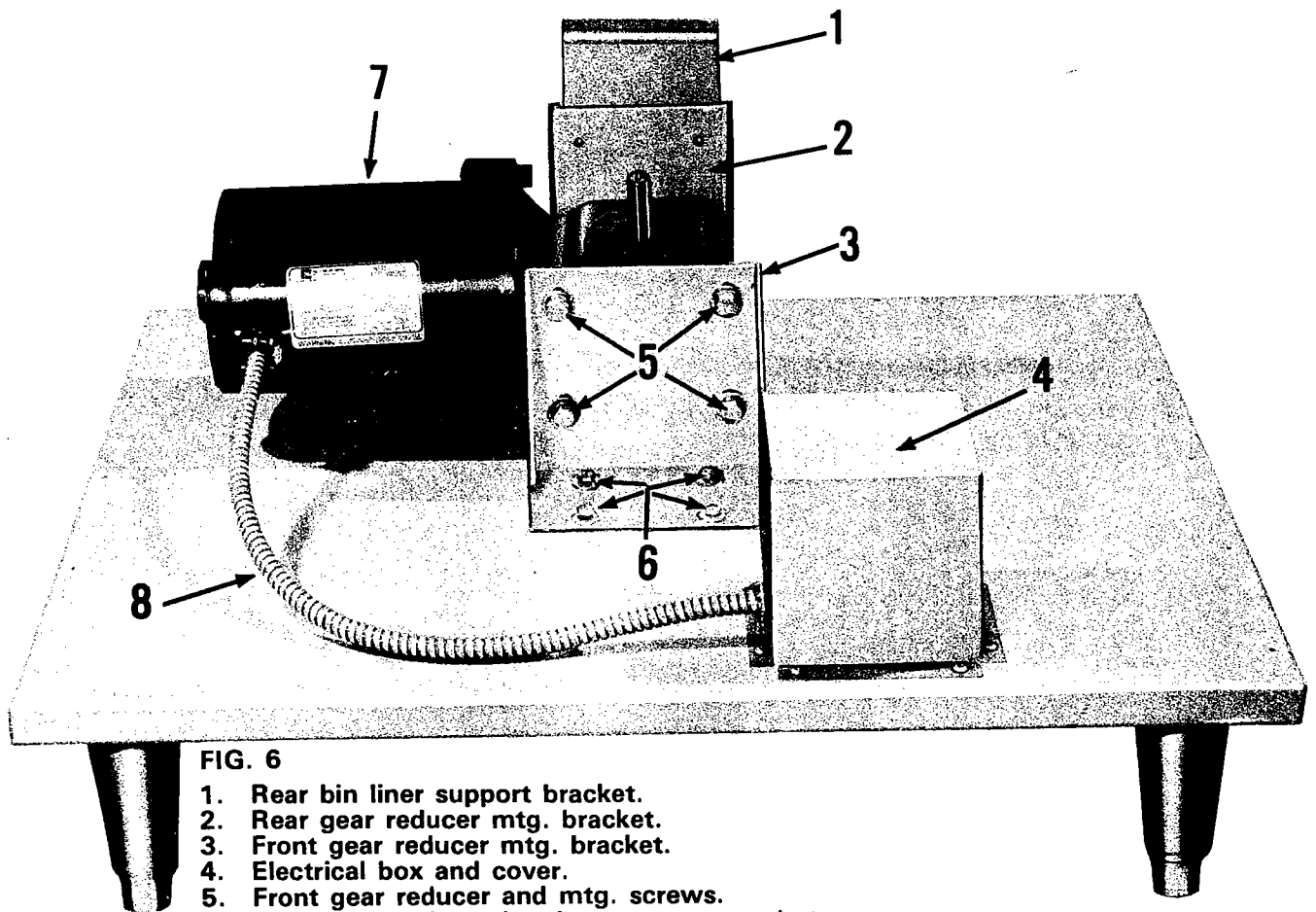


FIG. 6

1. Rear bin liner support bracket.
2. Rear gear reducer mtg. bracket.
3. Front gear reducer mtg. bracket.
4. Electrical box and cover.
5. Front gear reducer and mtg. screws.
6. Front gear reducer bracket mtg. screws (mtg. bracket to dispenser base).
7. Gear reducer drive motor.
8. Electrical lead from electrical box to gear drive motor.

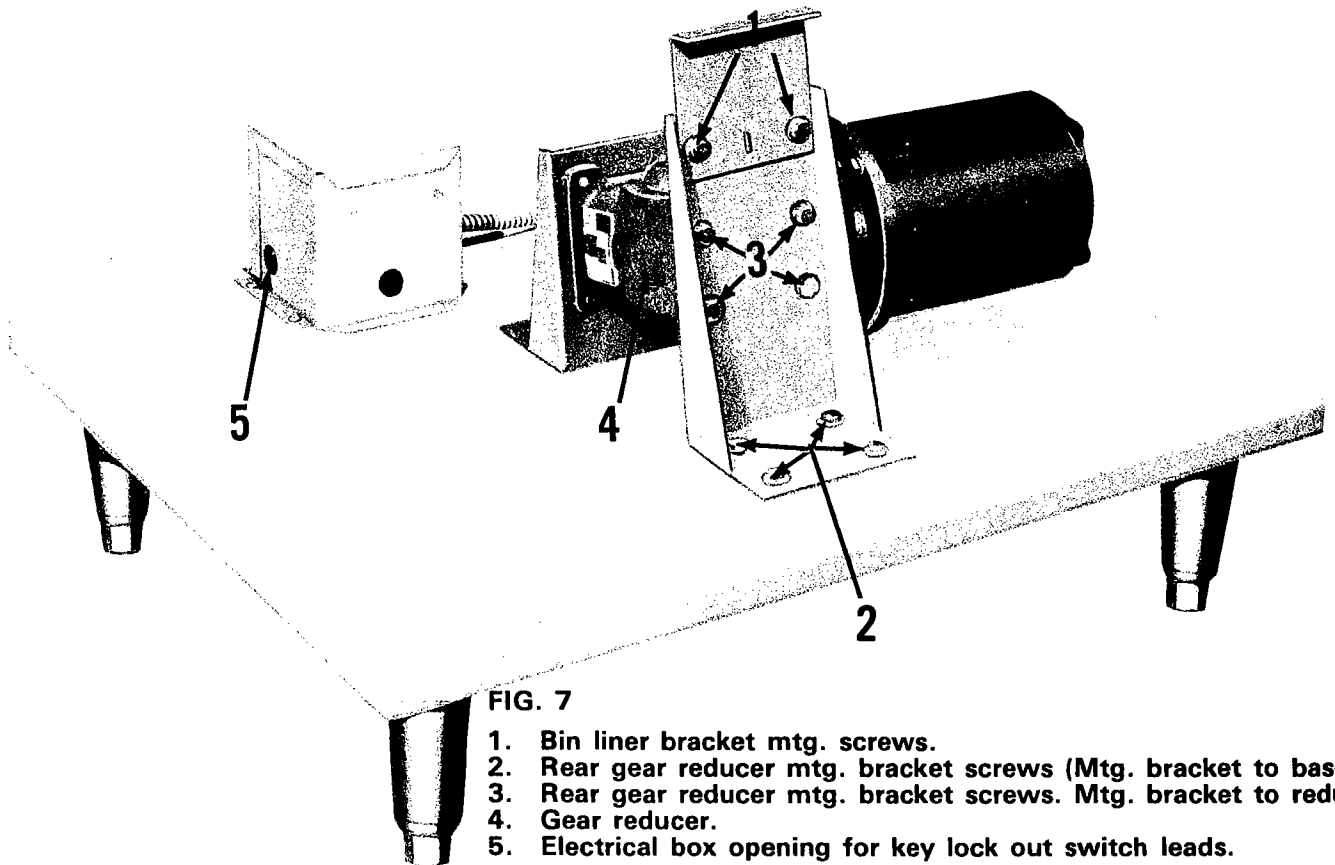


FIG. 7

1. Bin liner bracket mtg. screws.
2. Rear gear reducer mtg. bracket screws (Mtg. bracket to base).
3. Rear gear reducer mtg. bracket screws. Mtg. bracket to reducer.
4. Gear reducer.
5. Electrical box opening for key lock out switch leads.

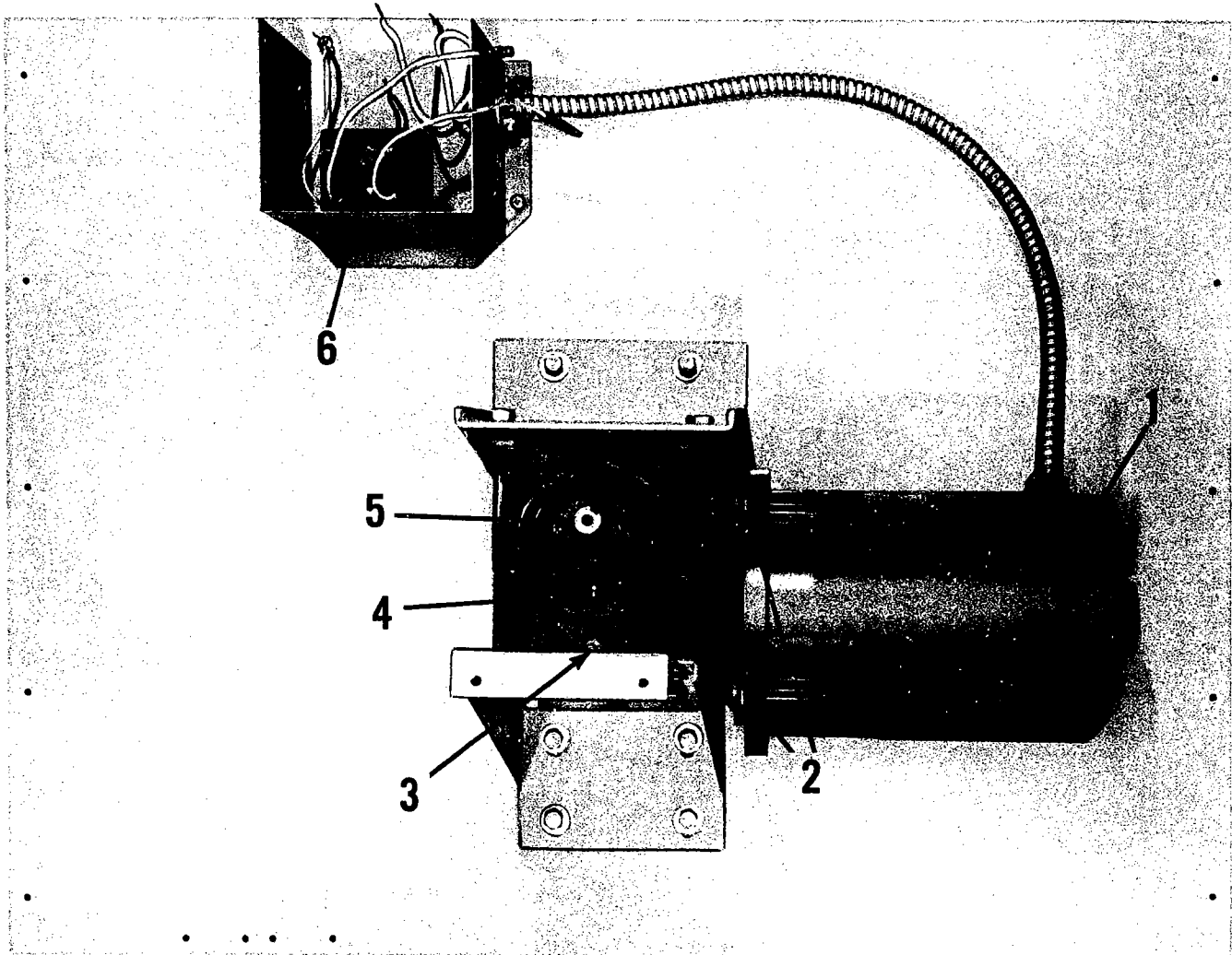
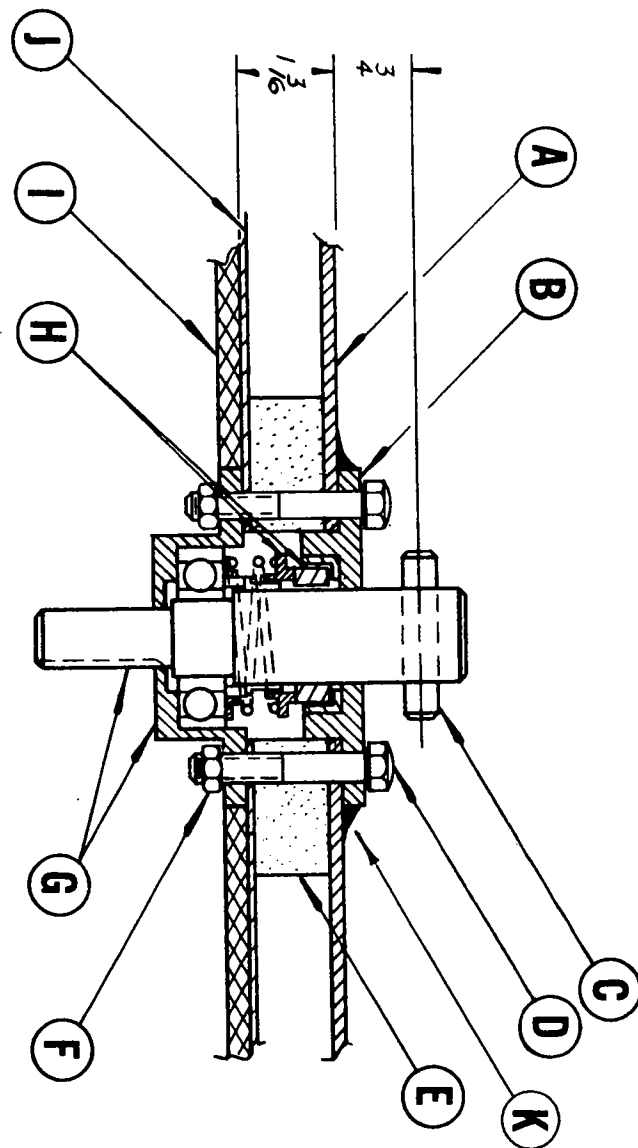
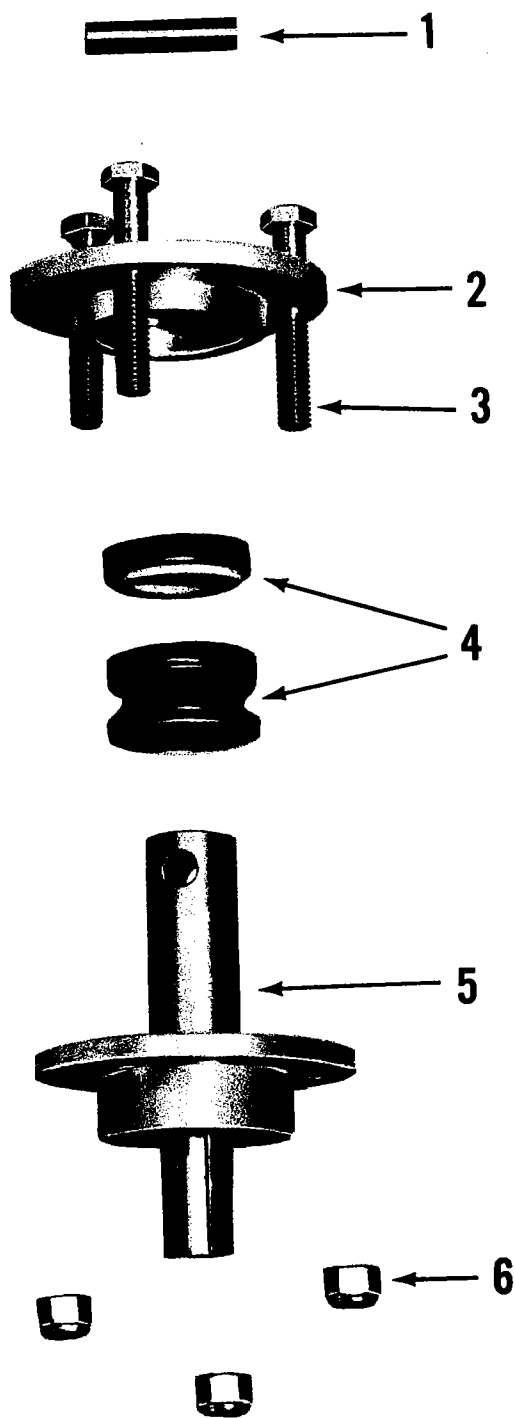


FIG. 8

1. Gear drive motor.
2. Mtg. bolts holding drive motor to gear reducer.
3. Red vent and fill plug.
4. Grease fitting for gear reducer top bearing.
5. Gear reducer drive shaft.
6. Transformer for ice control button.



**FIG. 9 LOWER BEARING ASSEMBLY WITH ONE HALF OF LOVE-JOY COUPLING.**



- A. Drain pan assembly.
- B. Housing-lower seal.
- C. Pin, lower bearing shaft.
- D. Bolt 3/8-16 x 2 1/4 lg. acorn hd.
- E. Lower liner spacer.
- F. Lower bearing housing assembly.
- G. Hex lock nut 3/8-16.
- H. Lower seal — with seat
- I. Styrofoam 1/4 x 1 2/8 x 4 4 lg.
- J. Lower liner pan.
- K. R.T.V. sealer — sealing "B" to inside of BIN

FIG. 10 LOWER BEARING & SEAL ASSEMBLY.

- 1. Lower bearing shaft pin.
- 2. Lower bearing housing seal.
- 3. Lower bearing mtg. bolt.
- 4. Lower bearing housing seal and seat.
- 5. Lower bearing housing .
- 6. Lower bearing mtg. nut.

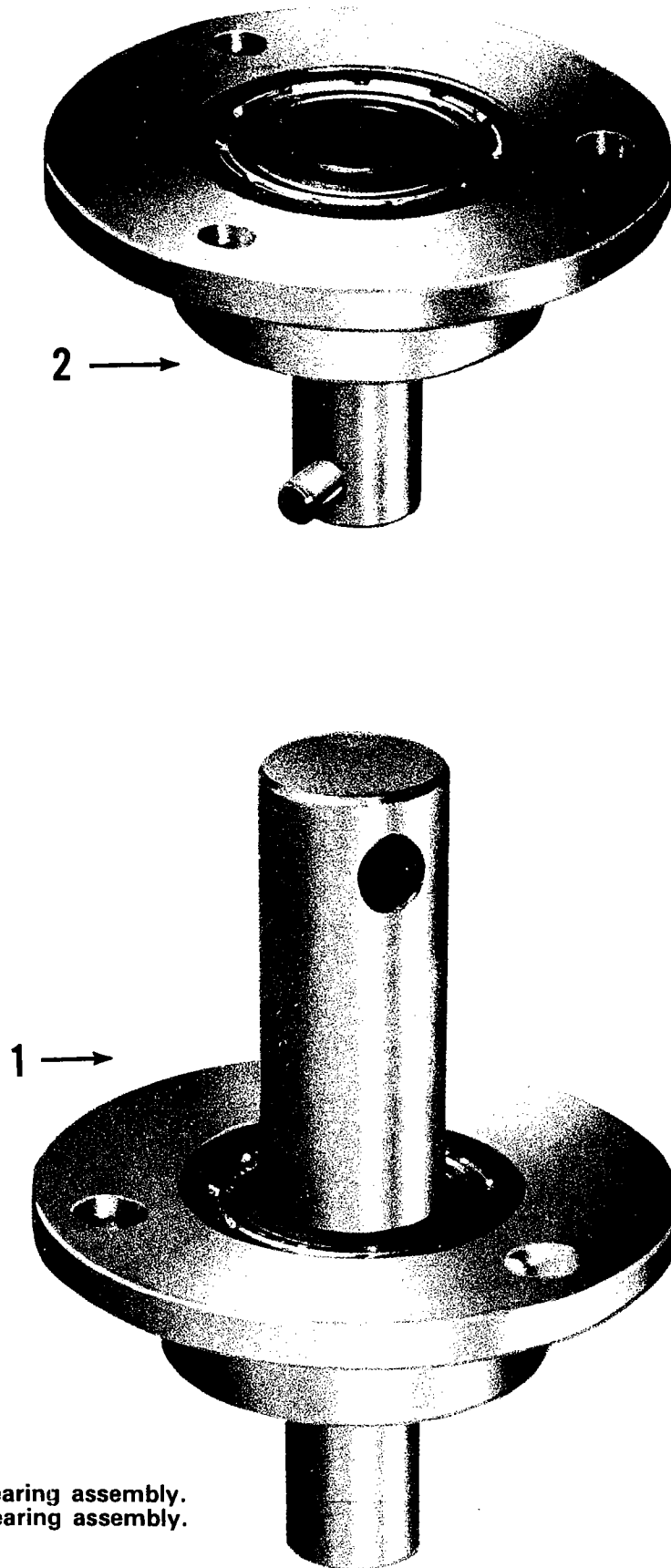
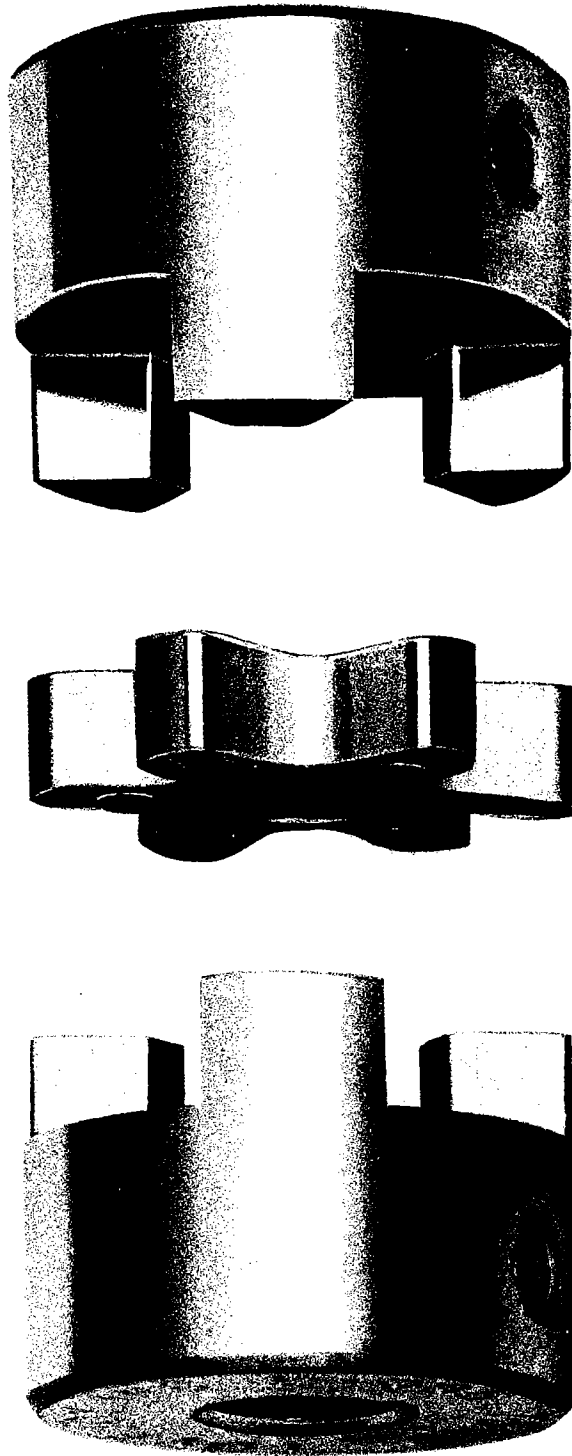
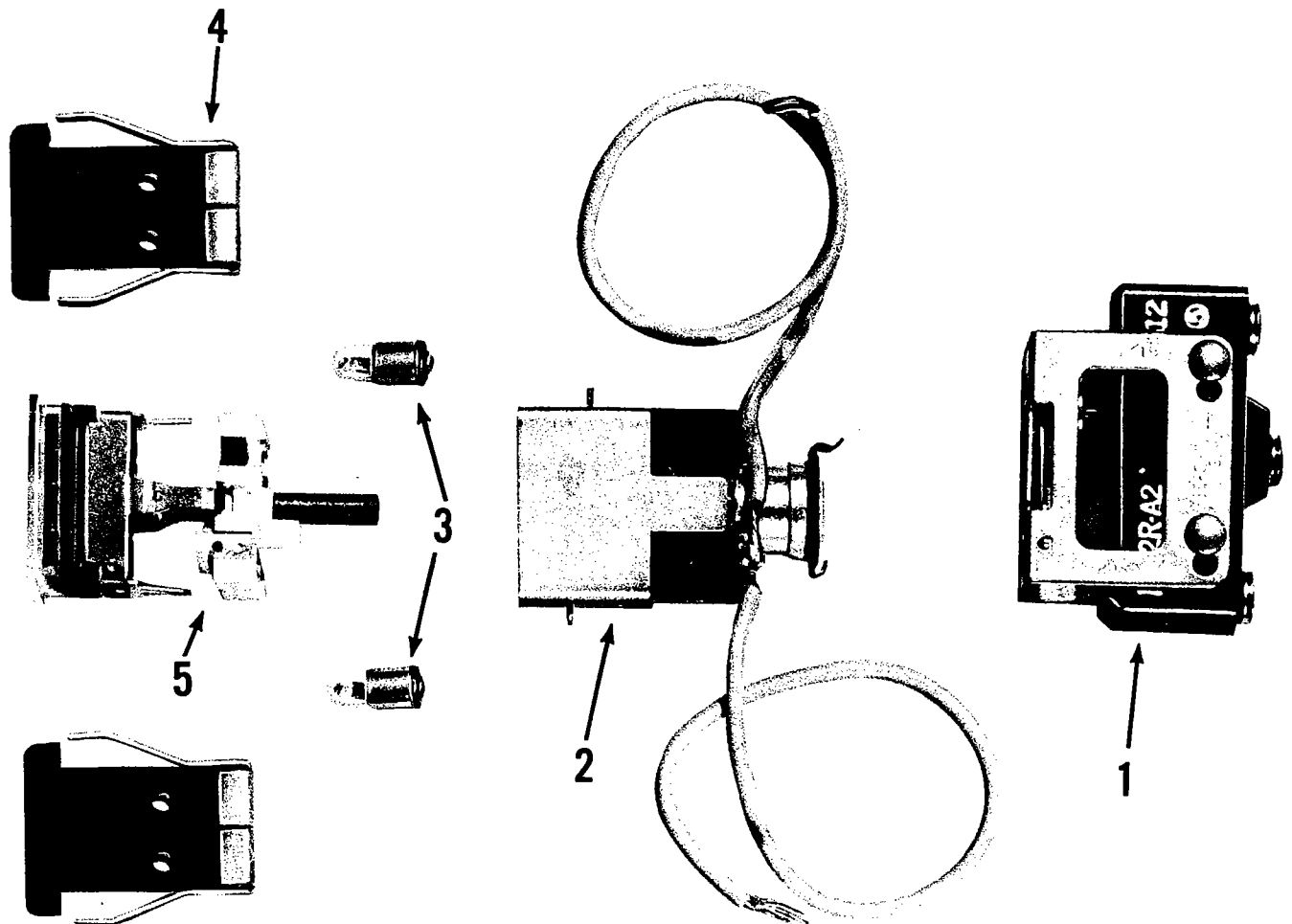


FIG. 11

- 1. Auger lower bearing assembly.
- 2. Auger upper bearing assembly.

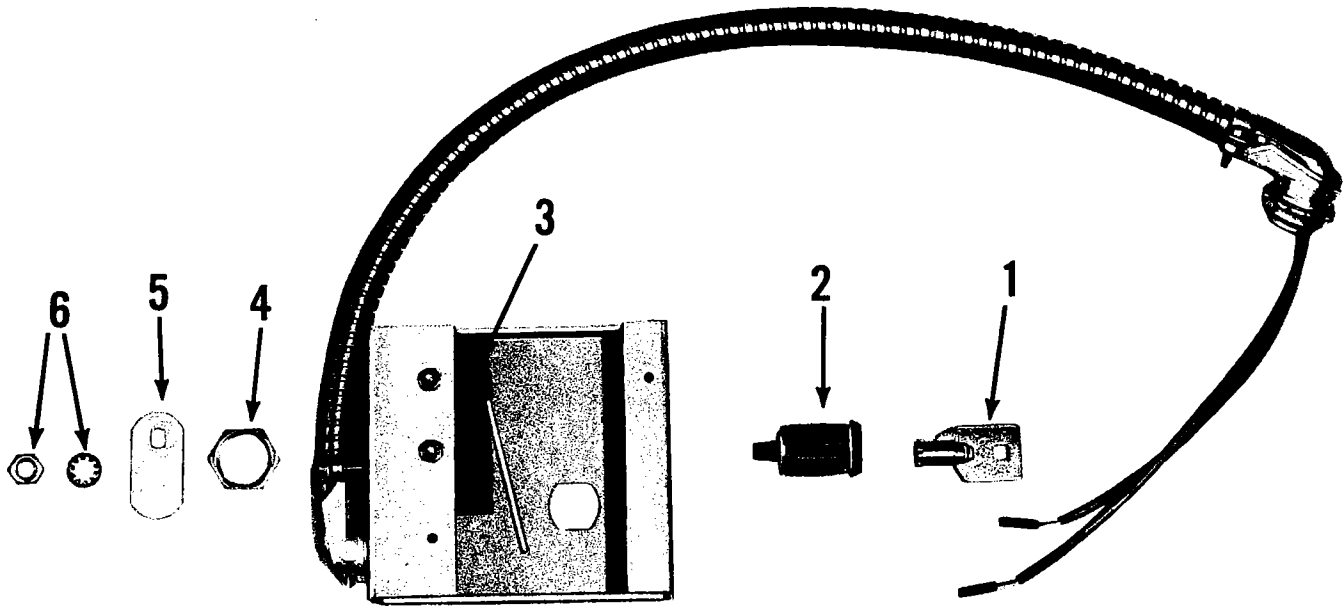


**FIG. 12 LOVE-JOY COUPLING WITH SPIDER**  
Connecting reducer drive shaft to lower bearing drive shaft.



**FIG. 13 ICE CONTROL SWITCH**

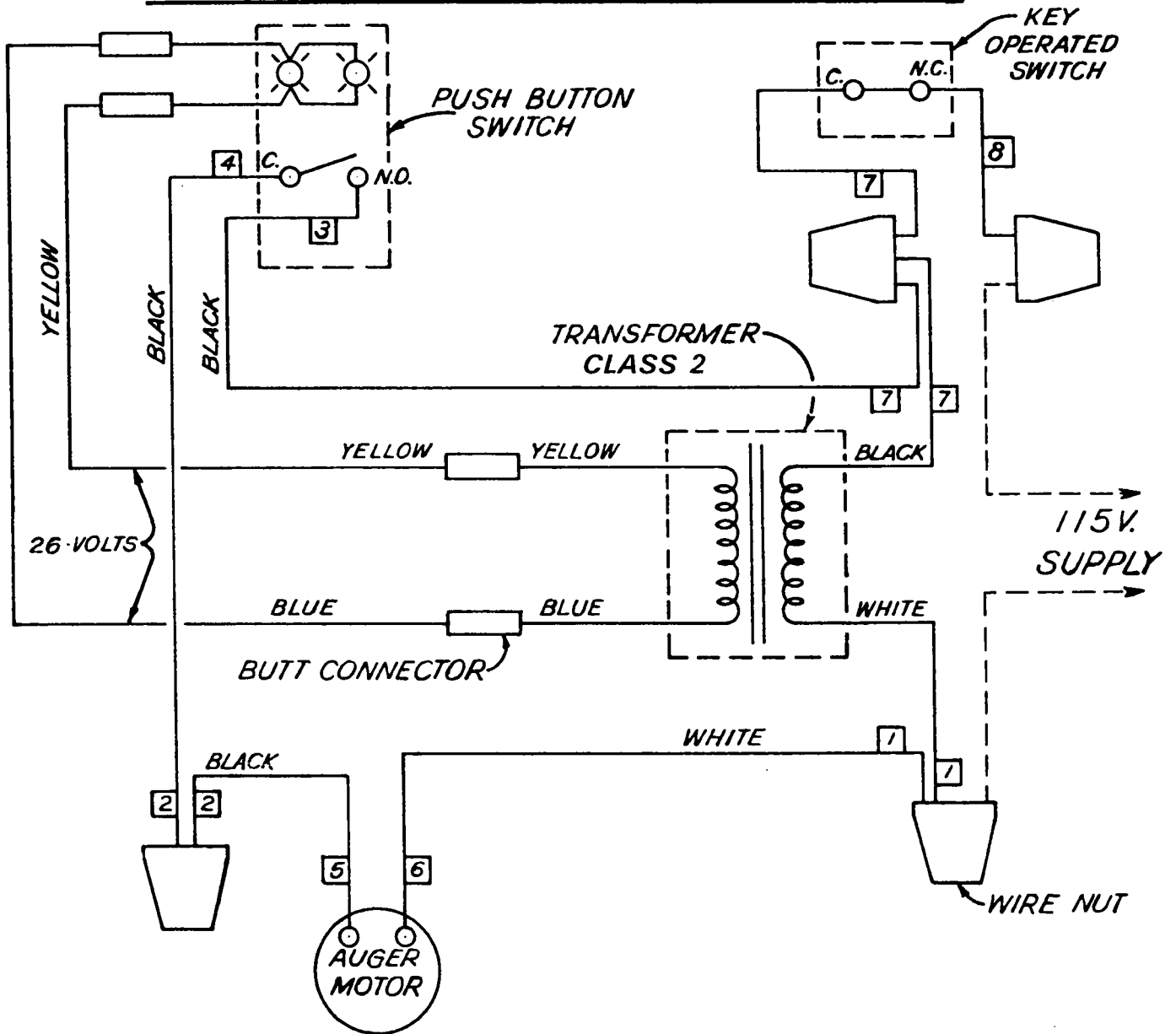
- 1. Push button switch unit.
- 2. Push button switch housing.
- 3. Switch lamp.
- 4. Push button switch barrier.
- 5. Push button switch screen & lamp holder.

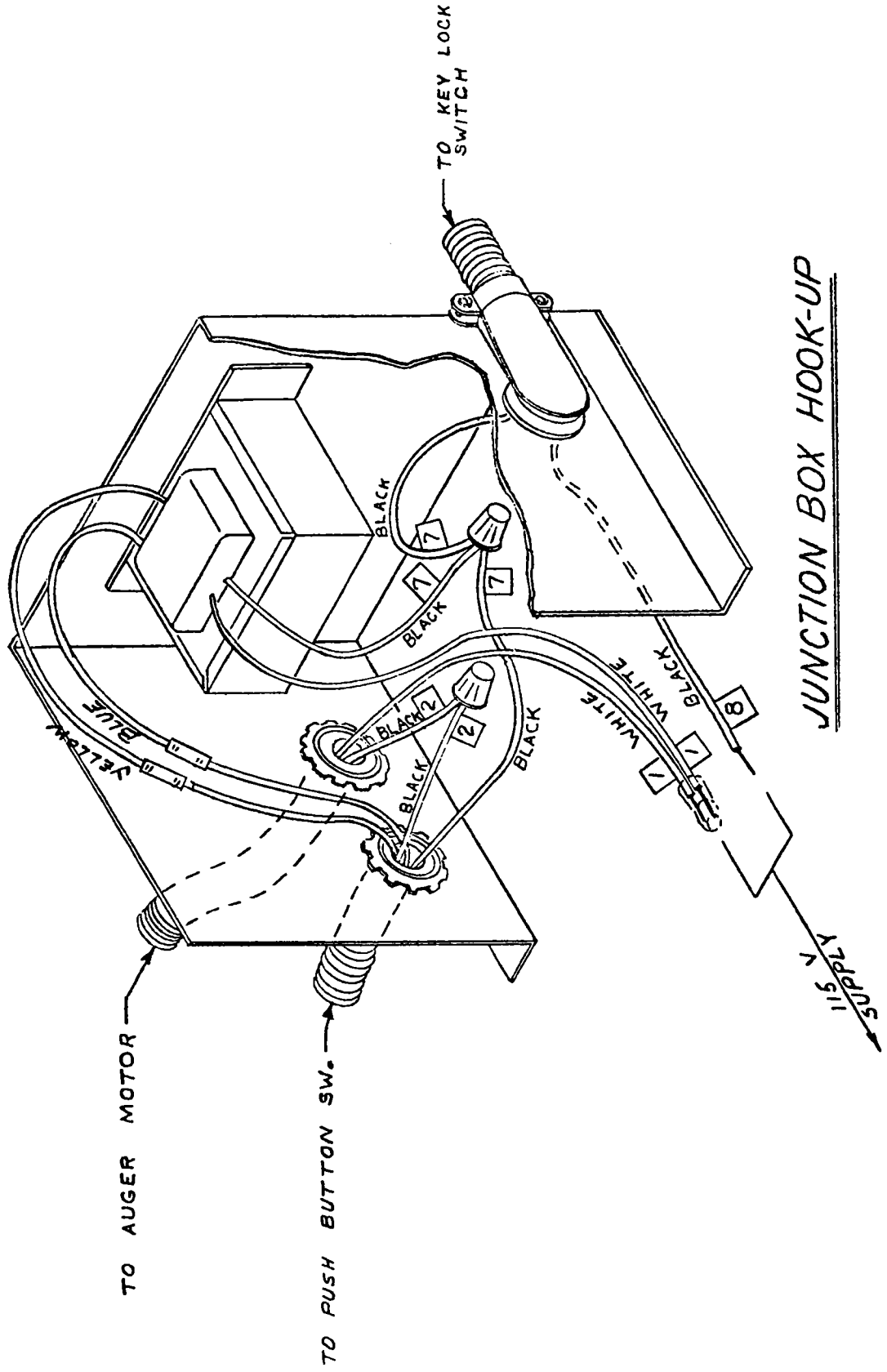


**FIG. 14 KEY LOCK OUT SWITCH ASSEMBLY**

- 1. Key.
- 2. Lock.
- 3. Lock out switch.
- 4. Lock retainer nut.
- 5. Lock cam.
- 6. Lock cam nut & washer.

# AM-0361 DISPENSER PUSH BUTTON ICE ONLY 115V, 60HZ.





## SERVICE ANALYSIS

<u>COMPLAINT</u>	<u>CAUSE</u>	<u>CORRECTIVE MEASURE</u>
Will not dispense ice	Power off	Check fuse & wiring
	Defective ice control switch	Check & replace, if necessary
	Drive motor defective	Check & replace, if necessary
	Set screws on drive coupling loose	Check & tighten
	Bin empty	Check ice cuber for proper ice production
	Large clusters of ice in bin	Check ice bridging & adjust
Drive motor operates but auger does not turn	Ice jammed in ice chute opening	Check & clear opening
	Defective gear reducer	Check & replace
	Set screw on drive coupling loose	Check & tighten
	Auger not properly seated on lower bearing drive shaft	Check & replace on lower bearing drive shaft

SERVICE ANALYSIS FOR ICE CUBER, SEE ICE CUBER MANUAL.

## CLEANING INSTRUCTIONS

In place cleaning.

1. Auger out ice from storage bin. Note: Not all ice can be augered out; there will always be some ice remaining in bottom of bin.
2. Remove auger access door from bin liner by removing the 14 thumb screws (See Fig. 3). Remove balance of ice from bottom of storage bin.
3. Remove auger as shown in Fig. 4 on instructions under REMOVING AUGER ASSY. Page 5.
4. Scrub inside of bin and auger using a nylon scouring pad, brushes and a cleaning solution, such as Lime-a-Way or Boss Brand Milk Stone Cleaner from Northern Laboratories. Rinse all parts with clear water.
5. Inside of bin and parts can be sanitized by rinsing with a solution of one teaspoon of Sodium Hypochlorite in one gallon of water.
6. Reassemble unit. Let run for 5 to 6 hours before dispensing ice.
7. For cleaning ice cuber refer to cleaning instructions in Service Manual found inside instruction envelope received with ice cuber.
8. Remove ice cube melting tray located beneath wire grill. Both are located in stainless steel front door. Unlock door, swing open and pull melting tray out (See Fig. 3). This can be cleaned with same cleaning solution as used for inside of storage bin. Rinse with clear water and replace.

## SERVICE AND PARTS PROCEDURES

### Order and Pricing Procedure

All replacement parts for the Manitowoc ice machine equipment are to be ordered directly from the factory; however, any distributors or dealers who may be interested in stocking replacement parts for the machines they sell, in order to provide their customers with a prompt and efficient service, may purchase these parts with the understanding that, any time they feel they have parts they no longer need or feel they no longer want to carry replacement parts, they are to notify the factory's Parts Department as to which parts they wish to return.

Upon receipt of this listing, we will immediately send them written authorization to return these parts; and upon receipt of these parts, full credit will be issued. There will be no charge for restocking these parts. Of course, credit can only be issued if the parts are returned in a new and unused condition.

When placing your order, be sure to do as follows:

1. Print name and address plainly.
2. If special routing is requested please show the name of the carrier.
3. Indicate quantity desired, print catalogue part number plainly and print name as shown in the catalogue.
4. Indicate model and serial number of the unit. The complete serial number is needed.
5. If uncertain as to the proper part number, please give a complete description or sketch of the part and the location of the part which is needed.
6. Check to see that all required information is contained in your order to facilitate prompt shipment.

All replacement parts are shipped from the factory on a f.o.b. Manitowoc basis. It is company policy to bill for all field replacement parts, according to terms as specified by our Credit Department.

All parts orders will be honored by the factory and will be billed according to our parts list schedules.

Parts which are covered by our warranty policy are to be returned to the factory for credit, transportation charges prepaid. Upon receipt of these parts here at the factory, they will be inspected; and if they are found to be defective, in material and workmanship, under normal use and service, credit will be issued.

Transportation companies are responsible for damage in transit as all shipments are tendered to them in good condition; and our responsibility ceases upon receipt of a signed bill of lading from the carrier. If the shipment arrives in a damaged condition or is short, the delivering carrier should be notified immediately.

**Return of Defective Parts**

All defective parts returned to the factory, transportation prepaid, must be tagged with a return material tag properly filled in. It is especially important that the cabinet serial number be secured and recorded on the tag, securing as much information as possible about the nature of the defect to prevent any delays in issuing credit. All parts should be returned as they are removed from the cabinet and not mutilated or tampered with. The return material tags are provided on a no-charge basis by the factory upon receipt of your request.

**Our warranty and protection plan does not apply to cabinets that are not registered; therefore, it is necessary that, upon completion of the installation of the cabinet, the registration card be signed on the date of installation and mailed promptly to the factory Service Department in order for the cabinet to be registered.**

**Return of Complete Machines**

No complete machines may be shipped back to the factory for repairs without first securing prior permission from the factory. If an unauthorized shipment is received at the factory, it will be refused by our warehouse and immediately returned to the sender. Upon receipt of your request to return a cabinet, if we feel that your request is legitimate, you will be sent an authorized return label authorizing you to return this cabinet to the factory freight prepaid.

**Service and Labor Charges**

In accordance with our warranty and protection plan, which is included in each cabinet, this protection plan provided is available only through distributors and dealers who will be solely responsible for service and labor charges.

# Ice Machine and Bin Warranty

From the date of original installation, we do hereby warrant each new Ice Machine and Bin to be free from defects in material and workmanship, under normal use and service, for a period of one year, and four additional years on the hermetic motor compressor in the Ice Machine.

Our obligation under this warranty is limited solely to correcting or replacing without charge at the factory in Manitowoc, Wisconsin any part or parts of this equipment which shall have been returned, transportation prepaid, and which our examination discloses to our satisfaction to be defective.

This warranty does not apply to any equipment that has been damaged by flood, fire, or suffered abuse, misuse, neglect or accident, or to any Ice Machine which has been altered so as to affect performance or reliability, except where such alteration has been accomplished with our prior written consent.

We further limit this warranty in that we shall not be held liable under this contract for any special, indirect, or consequential damages whatsoever resulting from any defect in material and workmanship which interferes with the normal use and service of such Ice Machine and Bin.

This warranty is a complete and exclusive statement of all terms of the agreement between the Manitowoc Equipment Works and the owner of the equipment, and all representations of the parties. This agreement shall not be varied, supplemented, qualified or interpreted by any prior course of dealing between the parties or by any usage of the trade.

Sales are made on the express understanding that there are no express or implied warranties other than the express warranty herein contained and that there are no implied warranties that the goods shall be merchantable or fit for a particular purpose other than the expressed one year and five year warranty set forth above.

To validate this warranty, the registration card must be signed on the date of installation and mailed promptly to the Manitowoc Equipment Works, Manitowoc, Wisconsin.

DEALER \_\_\_\_\_  
\_\_\_\_\_  
\_\_\_\_\_

INSTALLATION DATE \_\_\_\_\_

**MANITOWOC EQUIPMENT WORKS**  
**Div. of THE MANITOWOC COMPANY**  
500 South 16th Street  
Manitowoc, Wisconsin 54220