



Ice Machine Parts List for Models

CR0600A

CR0601W

CD0602A

CD0603W

CY0604A

CY0605W

CY0614A

CY0615W

Remote Cuber

CR0690N

CD0692N

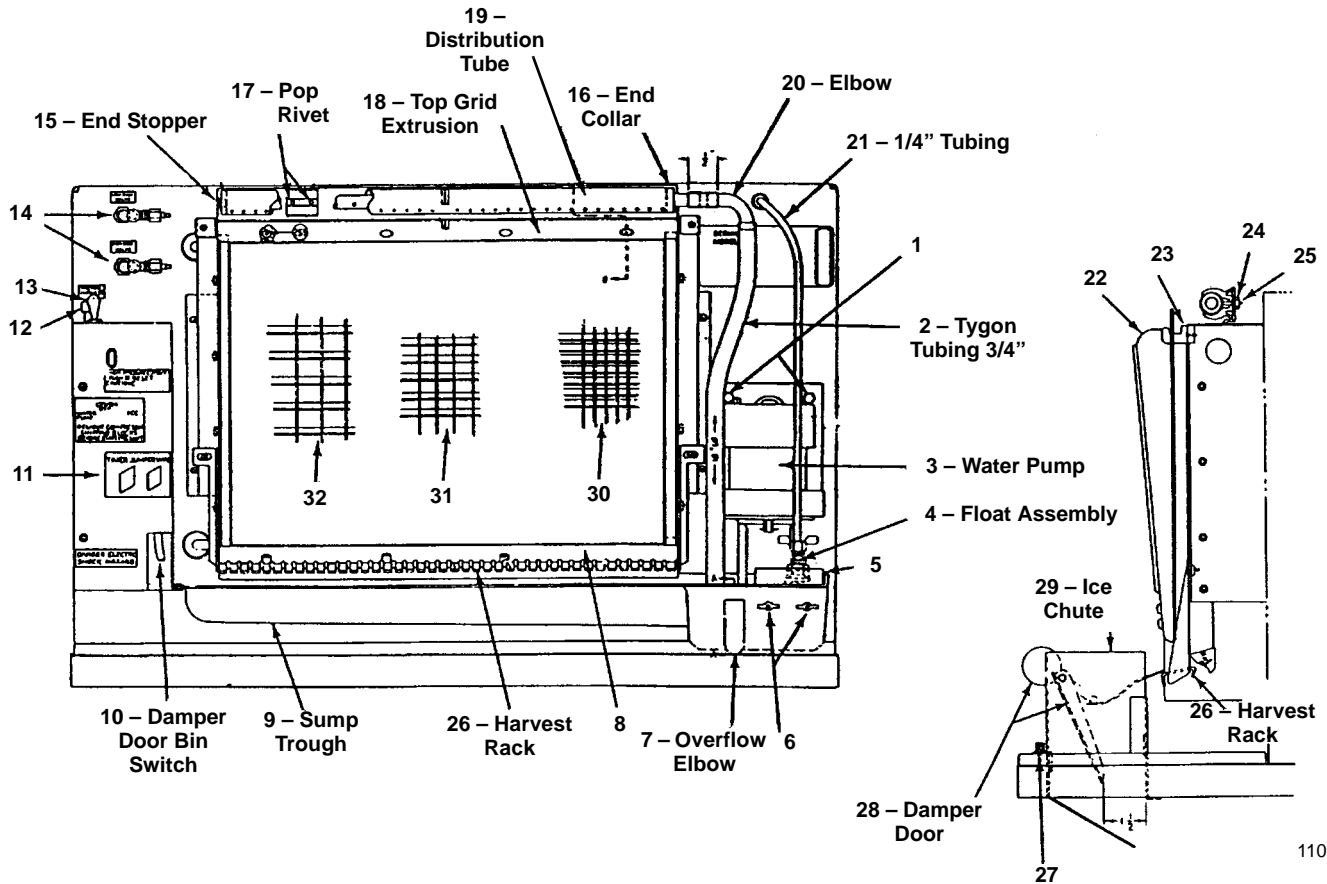
CY0694N

Remote Condenser

AC0695A

Manufactured February 1977 through February 1983

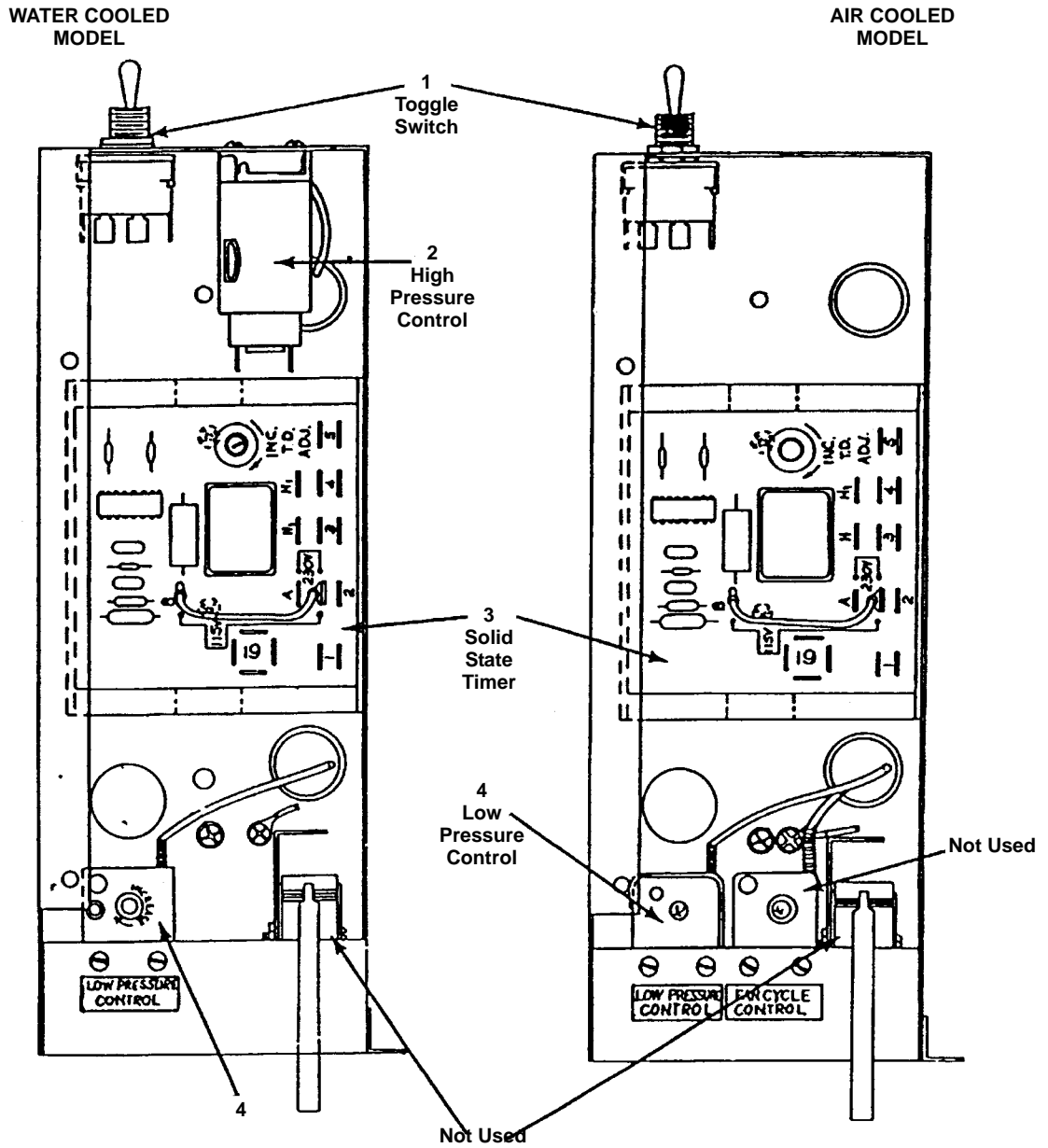
C0600 EVAPORATOR



1101

		PART NO.		PART NO.
1	Water Pump Mounting Stud	5012089	18	Top Grid Extrusion † 6068414
2	Tubing 3/4" OD	4420333	19	Distribution Tube No Longer Available
3	Water Pump † 7626013		20	Elbow No Longer Available
4	Float Valve Assembly	8369043	21	Tubing 1/4" OD 4420291
5	Float Bracket.	No Longer Available	22	Water Curtain No Longer Available
6	Wing Nut † 5489139		23	Water Curtain RH Hook No Longer Available
7	Overflow Elbow.	4300093	23	Water Curtain LH Hook. No Longer Available
8	Bottom Grid Extrusion.	† 106991	24	Nylon Nut † 5429459
9	Sump Trough † 6532324		25	Centering Pin † 5013139
10	Damper Door Bin Switch	† 2300799	26	Harvest Rack No Longer Available
11	Control Box Cover	No Longer Available	27	Thumbscrew No Longer Available
12	Manual Harvest Switch.	No Longer Available	28	Damper Door No Longer Available
13	Toggle Switch † 2300849		29	Ice Chute No Longer Available
14	Process Valve. † 8373109		29	Ice Chute After SN 81030855. No Longer Available
15	End Stopper † 4408209		30	Evaporator Half Dice Cube. No Longer Available
16	End Collar. † 4408219		31	Evaporator Dice Cube No Longer Available
17	Pop Rivet † 5768439		32	Evaporator Regular Cube. † 6803219
			33	Mounting Clips For Distribution Tube No Longer Available
			34	Left Hand Outer Shell † 130372
			35	Evaporator Extrusion, Top † 6563914
			36	Evaporator Extrusion, Bottom. No Longer Available
			37	Evaporator Extrusion, Left Side † 6260014
			38	Evaporator Extrusion, Right Side † 6260024
			39	Water Baffle, Left/Right Side. No Longer Available

C0600 CONTROL BOX

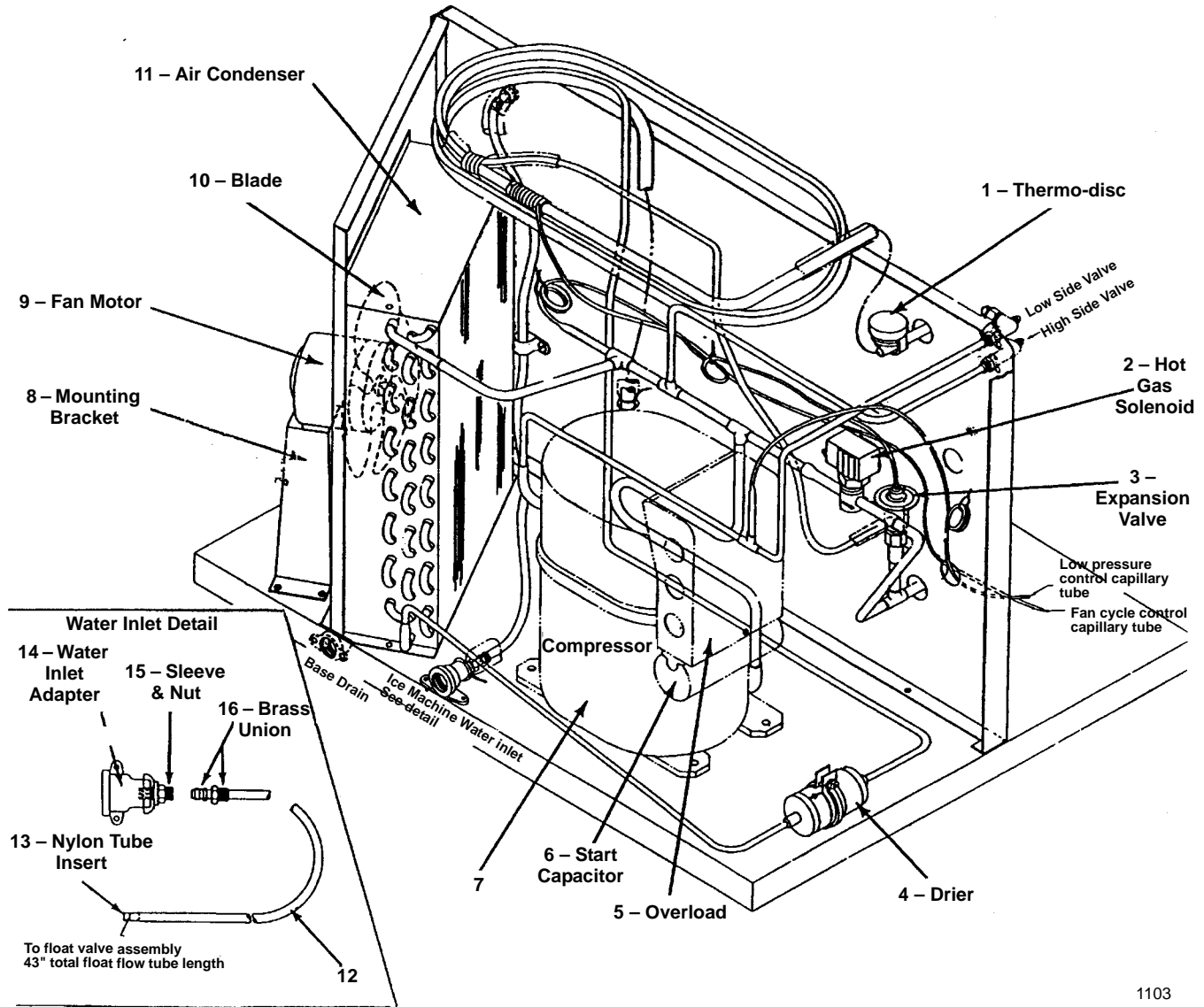


1102

		PART NO.
1	Toggle Switch.....	† 2300849
2	High Pressure Control.....	† 2355011
3	Solid State Timer.....	† 2406239
4	Low Pressure Control.....	† 2355193

† Refer to Cross Reference Guide

C0400 AIR-COOLED

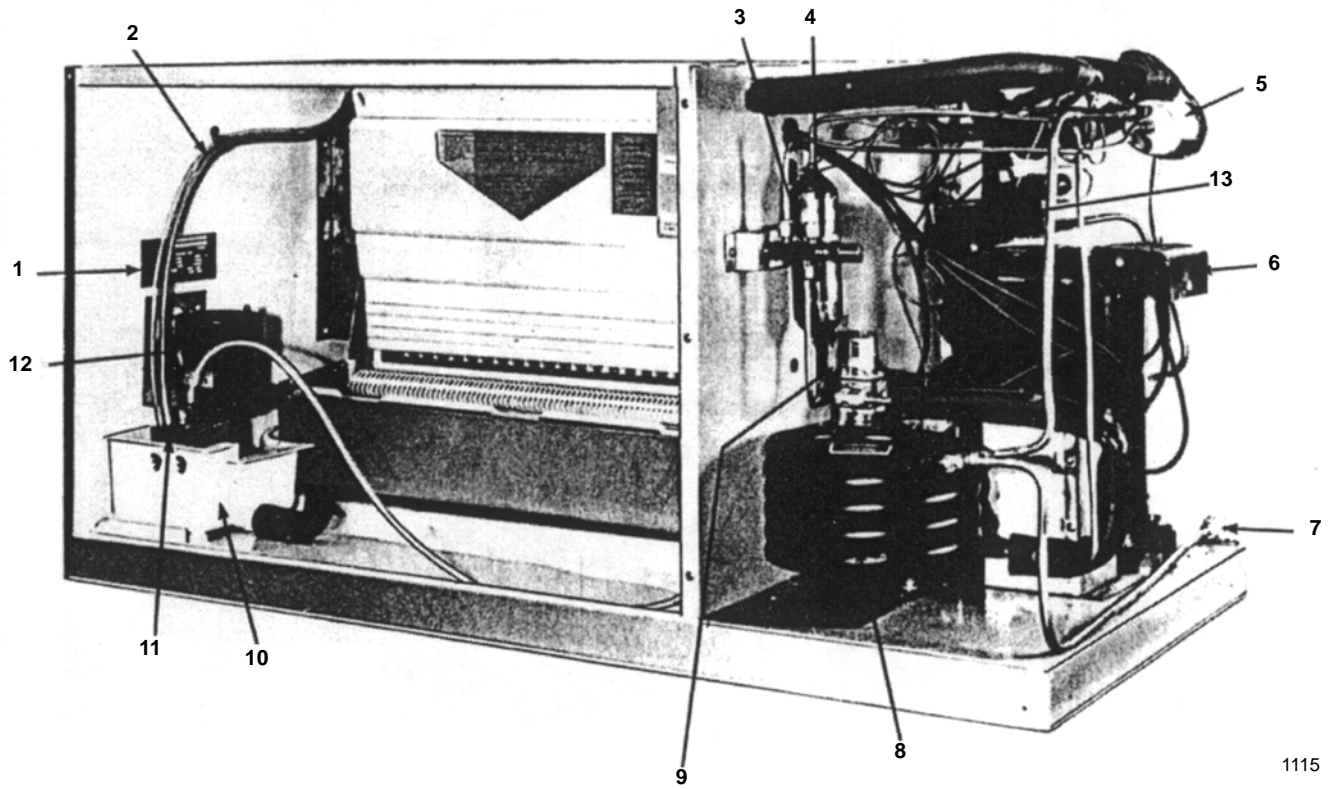


1103

	PART NO.
1 Thermo-disc	† 2351023
2 Hot Gas Solenoid	No Longer Available
3 Expansion Valve	No Longer Available
4 Drier	† 8930259
5 Overload	
Copeland RRS40075IAA219	No Longer Available
Copeland RSN20050IAA258	No Longer Available
6 Start Capacitor	† 1500021
7 Compressor	No Longer Available
8 Mounting Bracket	No Longer Available
9 Fan Motor	No Longer Available
10 Blade	2401891
11 Air Condenser	No Longer Available
12 Tubing 1/4" OD	4420291
13 Nylon Tube Insert	† 4420309
14 Water Inlet Adapter	No Longer Available
15 Sleeve & Nut	8361253
16 Brass Union	1360961

† Refer to Cross Reference Guide

C0600 WATER-COOLED

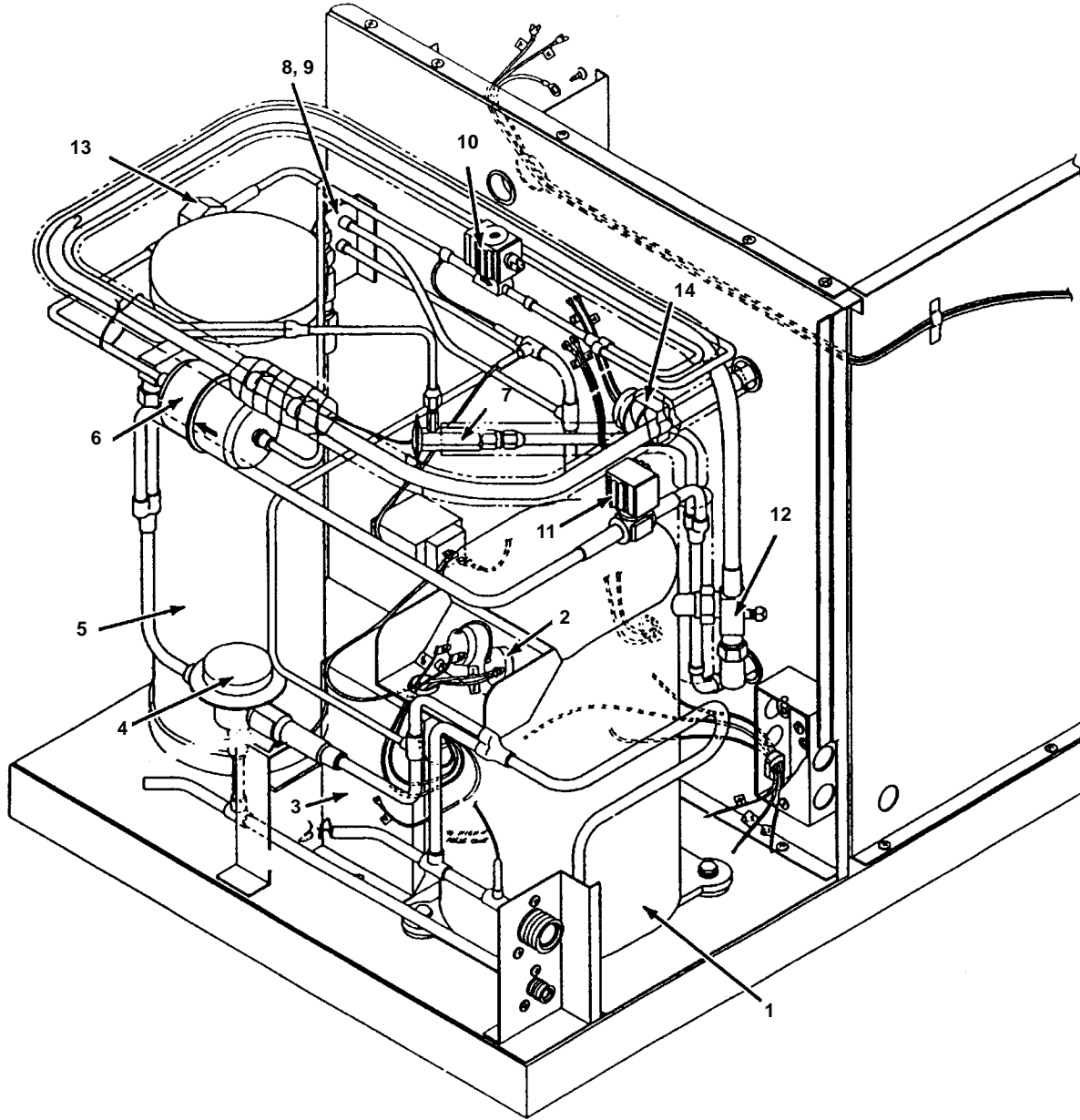


1115

	PART NO.
1 Serial and Electrical Plate	
2 Tubing, Water Supply, 1/2"	† 4420333
3 Service Valve, High Side	† 1373021
4 Accumulator	000008892
5 Drier	† 8930279
6 Compressor	† 7620363
7 Condenser Water Drain	No Longer Available
8 Water Condenser	8865333
9 Water Regulating Valve	8372033
10 Sump Trough Assembly	† 6532324
11 Float Valve Assembly	† 8369049
12 Water Pump	626013
13 Expansion Valve	No Longer Available

† Refer to Cross Reference Guide

C0600 REMOTE COMPRESSOR COMPARTMENT



1116

	PART NO.
1 Compressor	No Longer Available
2 Overload for Copeland	No Longer Available
3 Relay & Capacitor Box (Copeland)	No Longer Available
3 Component Box (Tecumseh)	No Longer Available
4 Head Pressure Control	† 8368049
5 Receiver w/valves	† 7629583
6 Drier	8930269
7 Expansion Valve	No Longer Available
Low Pressure Cut Out	No Longer Available
8 Service Valves	† 8373169
9 Valve Core Only	No Longer Available
10 Liquid Solenoid Pump Down	No Longer Available
11 Hot Gas Solenoid Valve	No Longer Available
12 Suction Service Valve	No Longer Available
13 Sight Glass	No Longer Available
14 Thermo-disc	No Longer Available

† Refer to Cross Reference Guide

C0600

COMPRESSOR GROUP	PART NO.
Compressor Assembly (Replacement for Copeland or Bristol)	† 7620363
Components for Copeland Compressor:	
Start Relay	No Longer Available
Run Capacitor	† 8503413
Overload Protector	No Longer Available
Start Capacitor	† 8504223
Cover, Capacitor Box	No Longer Available
Capacitor Box	† 6500534
Suction Service Valve, Rotolock	No Longer Available
Seal for Suction Service Valve	1502781
Components for Bristol Compressor:	
Run Capacitor	† 8503413
Start Capacitor	8503643
Start Relay	No Longer Available
Compressor Assembly Tecumseh Only	No Longer Available
(Tecumseh compressor is not replaceable with 7620363 assembly)	
Components for Tecumseh Compressor:	
Start Relay	No Longer Available
Run Capacitor	No Longer Available
Start Capacitor	† 8503163
Capacitor Box	No Longer Available
Capacitor Box Cover	No Longer Available
Suction Service Valve	No Longer Available
Rubber Grommet	† 8503069
Grommet Sleeve	† 8503949
CONDENSER GROUP	
Air Condenser	No Longer Available
Fan Shroud Assembly	No Longer Available
Fan Motor	No Longer Available
Fan Motor Blade	2401891
Fan Motor Bracket	No Longer Available
Water Condenser	† 8865333
Machine Screw to Mount Condenser	† 5033459
Lockwasher (Mounting condenser to base)	† 5545109
Water Regulator Valve	8372031
Base Service Valve High Side	† 1373021
Drier	† 8930279
Inlet & Outlet Water Adapter for Water Condenser	No Longer Available
Water Adapter Busing	1300011
Accumulator (Water-cooled) (Replaces receiver tank)	000008892
Service Valve (Water-cooled)	† 1373021
CONTROL GROUP	
Expansion Valve	No Longer Available
Thermo-disc Standard Models Only	No Longer Available
Hot Gas Solenoid Valve Assembly	No Longer Available
Coil Only For Sporlan Valve	No Longer Available
Coil Only for Alco Hot Gas Valve	† 2404483
Solid State Timer	† 2406239
Timer Mounting Track	No Longer Available
Timer Insulating Paper	† 6082014
Low Pressure Cut-in	† 2355193
High Pressure Cut-out	† 2355011
Main Toggle Switch	† 2300849
Damper Door Bin Switch	† 2300799
Damper Door Bin Switch Cover & Mounting Bracket	No Longer Available
Damper Door Bin Switch Mounting Screw	No Longer Available
Damper Door Bin Switch Mounting Washer	No Longer Available
Damper Door Bin Switch Mounting Nut	No Longer Available
Control Box Cover	No Longer Available
Control Box Cover Mounting Screw	† 5124649
Low Ambient Kit, Fan Cycling Thermostat (Below 55°F ambients)	No Longer Available
Bin Thermostat (Used only when stacking C0600)	No Longer Available

† Refer to Cross Reference Guide

C0600, CONTINUED

WATER CIRCUIT GROUP	PART NO.
Water Distribution Tube Assembly	No Longer Available
Water Distribution Tube End Stopper	† 4408209
Water Distribution Tube End Collar	† 4408219
90° Distribution Tube Elbow (Nickel plated)	No Longer Available
Water Supply Tube	† 4420333
Water Pump Assembly	† 7626013
Water Pump Bracket	No Longer Available
Water Pump Mounting Brass Studs (2 per)	† 5013089
Hex Nut for Brass Stud	† 5429069
Washer for Brass Stud	† 5544599
Sump Trough Assembly	† 6532324
Left Hand Sump Trough Support	No Longer Available
Right Hand Sump Trough Support	No Longer Available
Sump Trough Overflow Elbow	No Longer Available
Float Valve Assembly	† 8369049
Float Valve Bracket	No Longer Available
Float Valve Mounting Wing Nut	† 5489139
Water Inlet Adapter Assembly (Ice making)	No Longer Available
Water Inlet Tube Insert 1/4" OD (On end of nylon tube)	† 4420309
1/4" Water Supply Tubing	4420291
Water Strainer	† 1260033
Control Box	No Longer Available
 EVAPORATOR AND ICE CHUTE GROUP	
Evaporator Assembly (Regular cube)	† 6803219
Evaporator Assembly (Dice cube)	No Longer Available
Evaporator Assembly (Half dice cube)	No Longer Available
Harvest Rack	No Longer Available
Harvest Rack Knurled Mounting Screw	† 5000013
Water Curtain	No Longer Available
Water Curtain Hook Right Hand	No Longer Available
Water Curtain Hook Left Hand	No Longer Available
Ice Chute, with Bushing	No Longer Available
Ice Chute (Starting with SN 81030279)	No Longer Available
Damper Door Assembly with Bushing	No Longer Available
Damper Door Bin Switch	† 2300799
Nylon Bushing for Ice Chute No. 650562	No Longer Available
Nylon Bushing for Damper Door	No Longer Available
Evaporator Extrusion, Top	† 6563914
Evaporator Extrusion, Bottom	No Longer Available
Evaporator Extrusion, Left Side	† 6260014
Evaporator Extrusion, Right Side	† 6260024
Water Baffle Mounts on Top Extrusion (2 ea)	No Longer Available
Mounting Clips, Water Distribution Tube	No Longer Available
Locating Pin, Water Distribution Tube	† 5013139
Nylon Nut for Locating Pin	† 5429459
Water Distribution Tube Mounting Bracket Assembly. Includes Clip, Pin and Nuts	6503014

† Refer to Cross Reference Guide

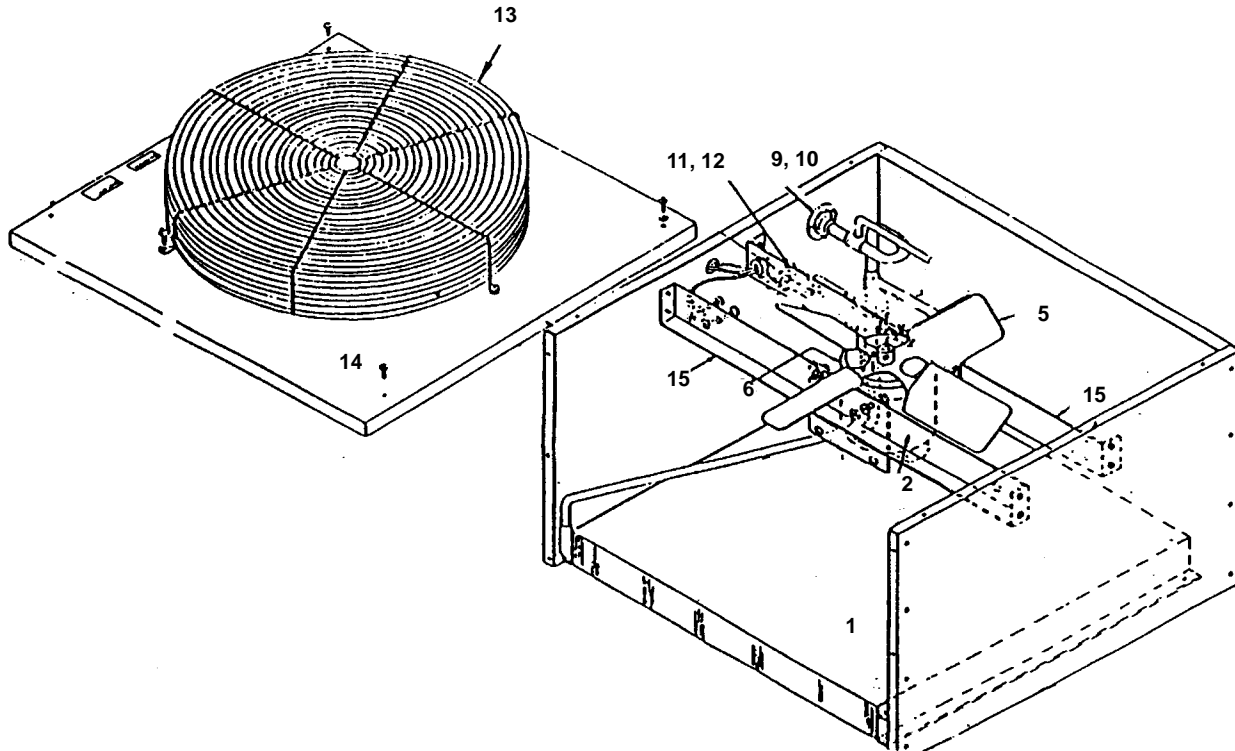
C0600, CONTINUED

OUTER CABINET GROUP (PAINTED)	PART NO.
Left Hand Outer Shell Body	No Longer Available
Right Hand End Panel Assembly	No Longer Available
Top Cover	No Longer Available
Rear Grille Panel (Air-cooled or Water-cooled)	† 6543924
Rear Grille Panel (Water-cooled) after SN AH5400	No Longer Available
Front Panel	† 6507914
Mounting Screw, Knurl Head for Front Panel	† 5012059
Front Panel Trim	† 8134873
Front Panel Trim Mounting Tape	No Longer Available
Front Panel Mounting Screw	No Longer Available
Front Panel Knurl Headed Screw No. 10-32	† 5012059
Outer Wrapper Mounting Screw	† 5124649
 OUTER CABINET GROUP (STAINLESS STEEL)	
Front Panel	6508014
Top Cover	No Longer Available
Right Hand Side Panel	6026324
Left Hand Outer Shell Body	No Longer Available
Rear Grille, Remote	No Longer Available
Rear Grille, Air	No Longer Available
Rear Grille, Water Up to SN AH5400	No Longer Available
Rear Grille, Water After SN AH5400	No Longer Available
 **PARTS USED ON 230/50 CYCLE CUBER ONLY	
Compressor	No Longer Available
***Start Components for Copeland Compressor SSE40100CAG:	
Start Relay	No Longer Available
Start Capacitor	† 8504223
Run Capacitor	No Longer Available
Overload	No Longer Available
***Start Components for Copeland Compressor SSE40100CAZ:	
Start Capacitor	No Longer Available
Start Relay	No Longer Available
Run Capacitor	† 8503413
Overload	No Longer Available
Water Pump	† 7626013
Fan Motor	2412141
 **REMOTE CUBER HEAD — CR0690N, 0692N and 0694N	
Head Pressure Control	† 8368049
Service Valve Core	No Longer Available
Receiver with Service Valves	† 7629583
Liquid Solenoid Valve Assembly, Pump Down	No Longer Available
Liquid Solenoid Coil Only (Sporlan only)	No Longer Available
Liquid Solenoid Coil Only (Alco only)	† 2404483
Low Pressure Cut-out Control	No Longer Available
Thermo-disc	No Longer Available
Accumulator	No Longer Available

** Use the same parts as previously listed for the standard C0600 cuber with the exception of the changes or additions listed under the special model number.

*** Starting cuber serial number not available. Order compressor electrical components by checking compressor model number located on compressor serial number plate on compressor body.

AC0695 REMOTE CONDENSER



1120

	PART NO.
1 Air Condenser	† 8850639
2 Fan Motor, 60 Hz*	† 7629413
3 Fan Motor, 50 Hz*	† 7629413
4 Fan Capacitor* (Emerson)	8503353
4 Fan Capacitor (Magnatec)	No Longer Available
5 Fan Blade*	2416113
6 Rain Slinger*	2415053
7 Toggle Switch Up to SN 82020001	No Longer Available
8 Toggle Switch After SN 82020001	No Longer Available
9 Coupling Assembly, Male 1/2"	† 8360353
10 Mounting Flange 1/2"	8360063
11 Coupling Assembly, Male 3/8"	† 8360343
12 Mounting Flange 3/8"	8360053
13 Fan Grill	3400643
14 Top Cover	† 6017751
15 Base Bracket	† 6017681
16 Valve Access Fitting Core Only	No Longer Available
17 Female Coupling Kit (Not shown)	0700623

*Early models used a single bracket to mount the fan motor. Those units use the following parts:

Fan Motor 60 Hz 230V	† 7619843
Fan Motor 50 Hz 230V	No Longer Available
Rain Shield	No Longer Available
Fan Blade	No Longer Available
Run Capacitor	No Longer Available

† Refer to Cross Reference Guide