



Ice Machine Parts List for CM0300 Series Dispenser Models

CM0310

CC0330

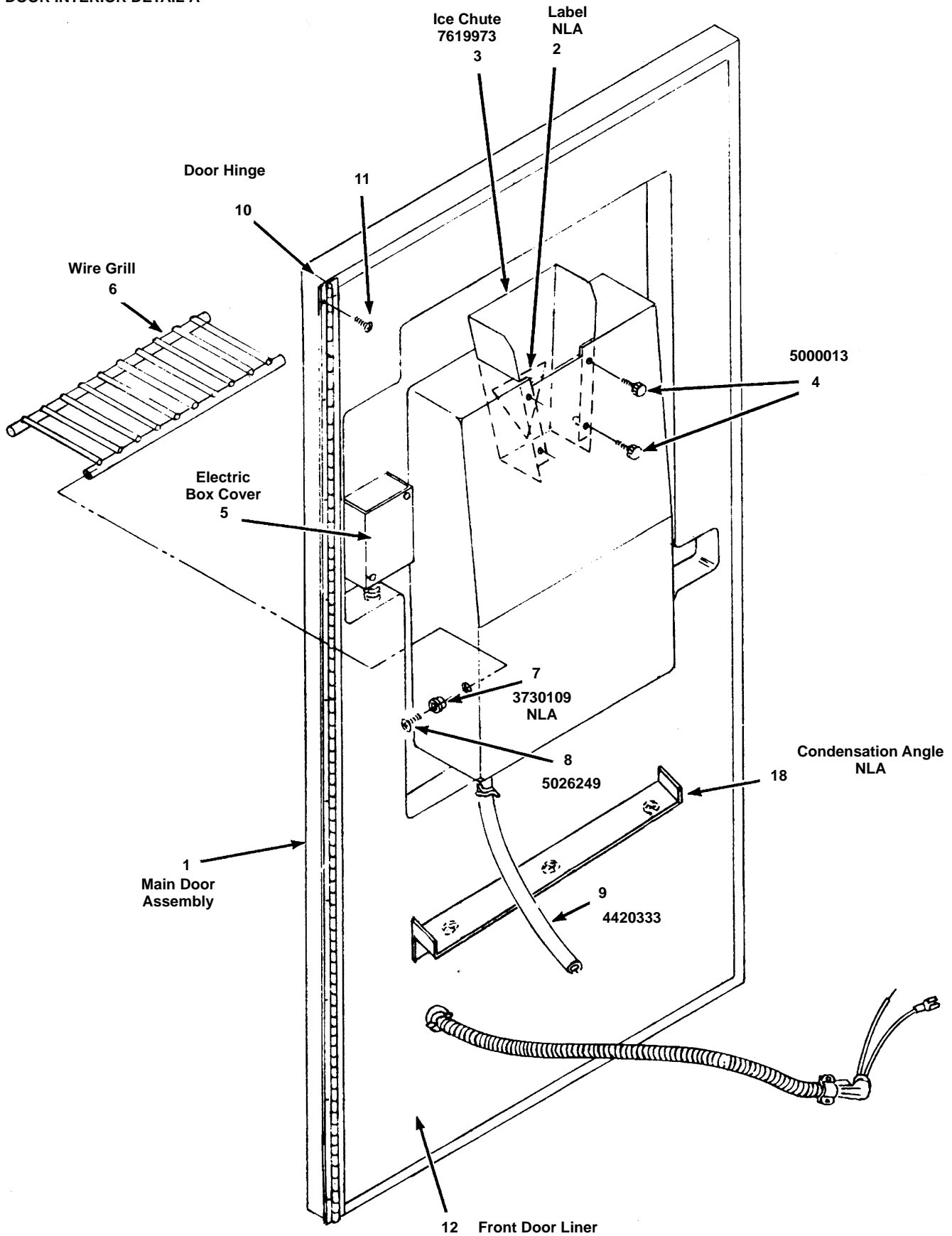
CK0320

CM0330

Manufactured December 1982

CM0300

DOOR INTERIOR DETAIL A



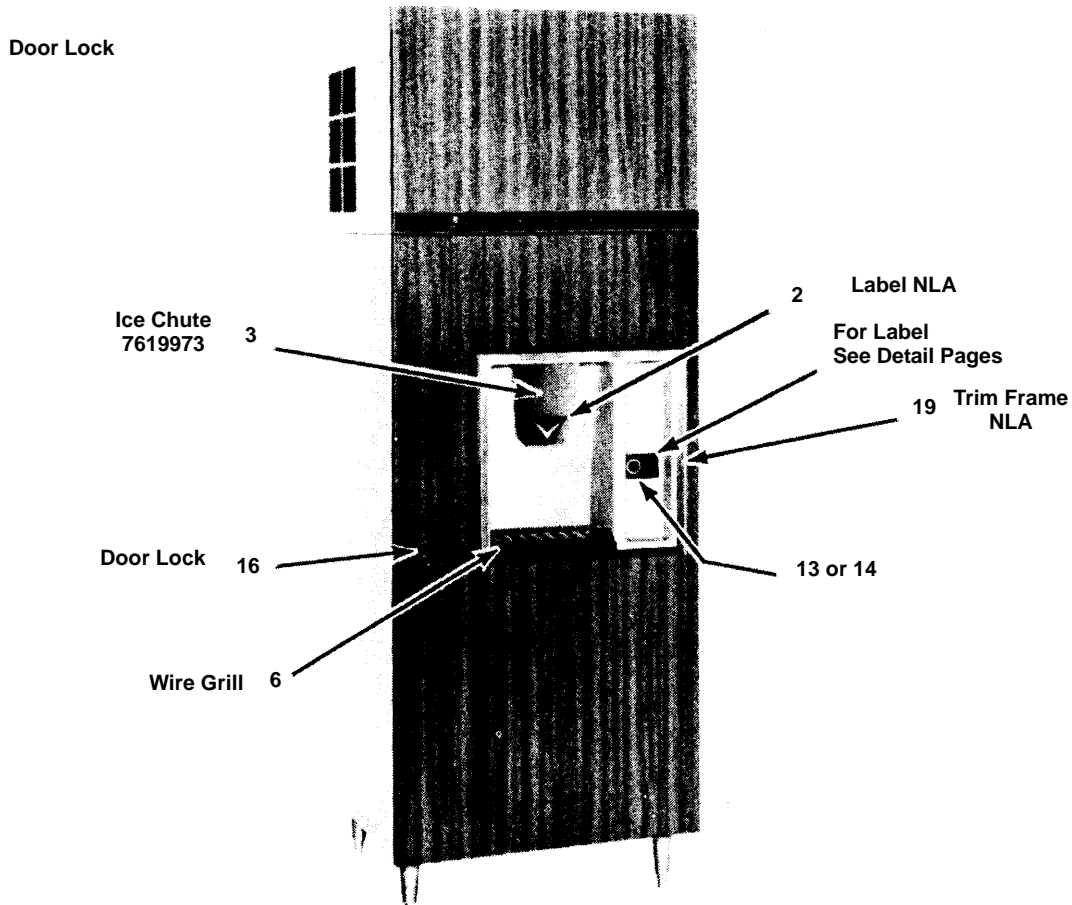
CM0300, CONTINUED

DOOR DETAIL A

PART NO.

1	Main Door Assembly Coin Op. 50 Hz	No Longer Available
	Coin Op. 60 Hz.	No Longer Available
	Key Operated.	No Longer Available
	Push Button	No Longer Available
2	Label Place Container Below	No Longer Available
3	Ice Chute With Label & Foam Tape	† 7619973
4	Thumbscrew, Mounting Ice Chute	† 5000013
5	Electrical Box Cover P.B. & Key	No Longer Available
	Coin Op	No Longer Available
6	Wire Grill	No Longer Available
7	Nylon Bushing	No Longer Available
8	#8-32 Machine Screw	† 5026249
9	Vinyl Tubing	† 4420333
10	Door Hinge	No Longer Available
11	8-32 x 1/2" Small Screw (Mounting hinge)	No Longer Available
12	Front Door Lock Bracket Weldment	No Longer Available
	Cage Nut	No Longer Available
13	Push Button Ice Switch	See Page 7 For More Detail
14	Key Operated Ice Switch	See Page 8 For More Detail
15	Coin Operated Ice Switch	See Page 9 For More Detail
16	Door Lock Complete With Key	No Longer Available
17	Key (For door lock - 3060263)	3060071
18	Condensation Angle	No Longer Available
19	Trim Frame - Extrusion	No Longer Available

EXTERIOR DOOR DETAIL

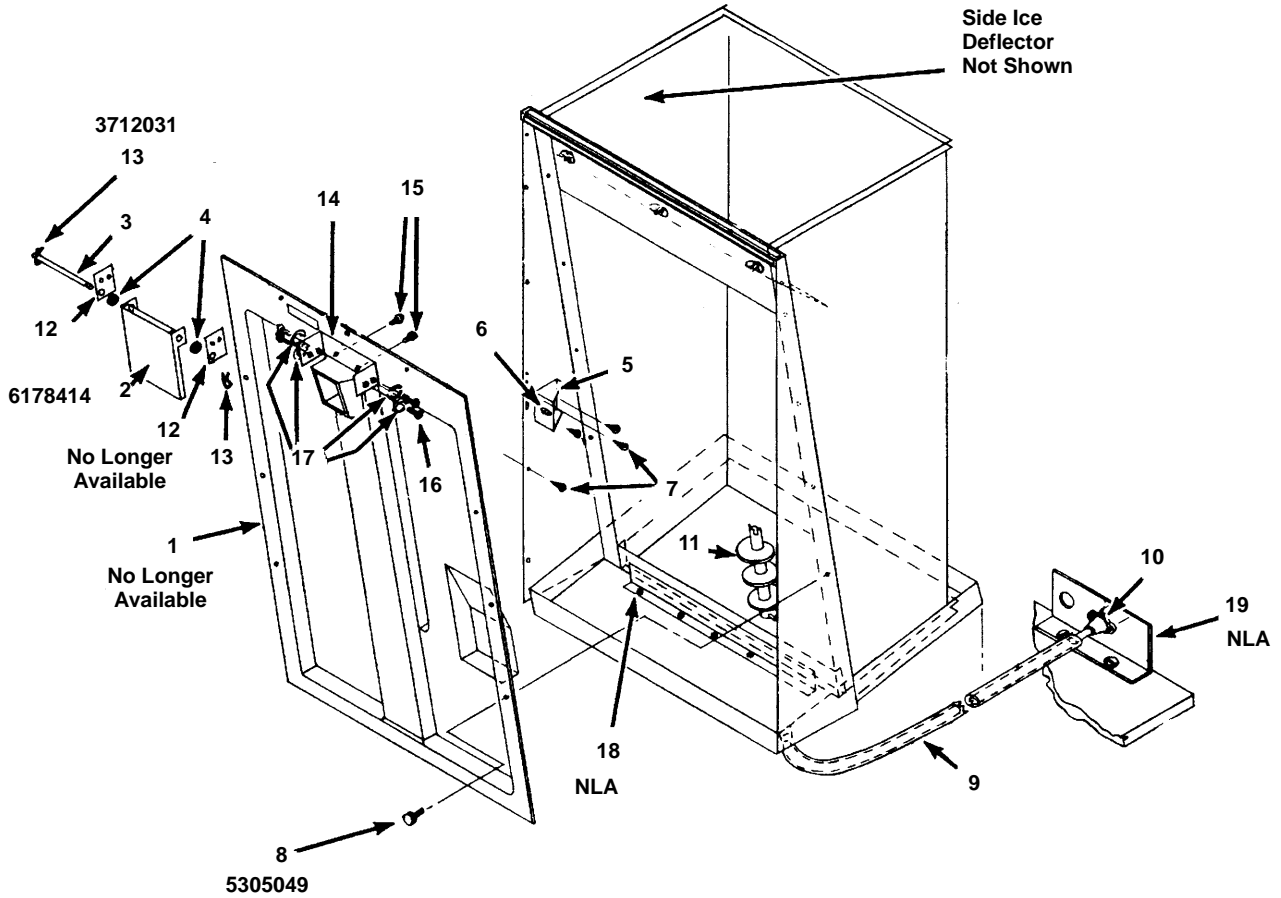


2083

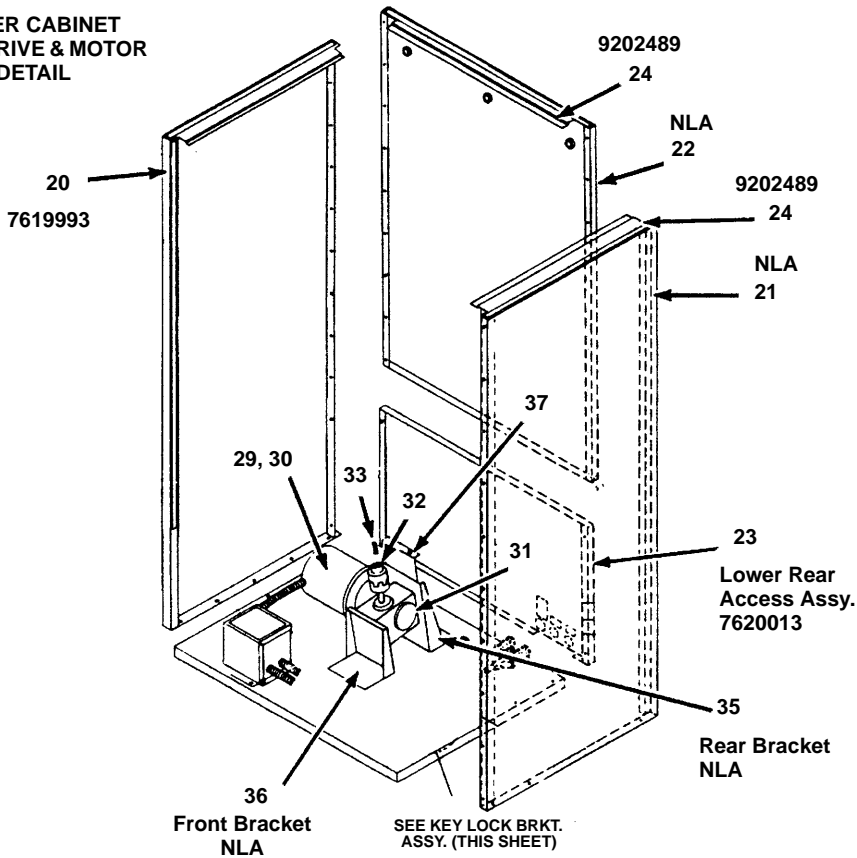
† Refer to Cross Reference Guide

CM0300, CONTINUED

STORAGE BIN DETAIL B



OUTER CABINET GEAR DRIVE & MOTOR DETAIL



2084

CM0300, CONTINUED

STORAGE BIN DETAIL B

PART NO.

1	Auger Access Door	No Longer Available
2	Ice Door	No Longer Available
3	Ice Door Pivot	No Longer Available
4	Flat Washer	No Longer Available
5	Door Lock Bracket	No Longer Available
6	Door Lock Nut	No Longer Available
7	Screw	† 5121539
8	Thumbscrew	† 5305049
9	Vinyl Tubing	† 4420333
10	Adapter Fitting Assembly (Water drain)	No Longer Available
11	4" Auger	No Longer Available
12	Ice Door Spacer	No Longer Available
13	Ice Door Mounting Clip	† 3712031
14	Ice Door Mounting Bracket	No Longer Available
15	Bracket Mounting Screws	† 5026739
16	Spacer Mounting Screws	† 5025519
17	Spacer Lockwasher	† 5504269
18	Access Door Retainer Bracket	No Longer Available
19	Adapter Mounting Bracket	No Longer Available

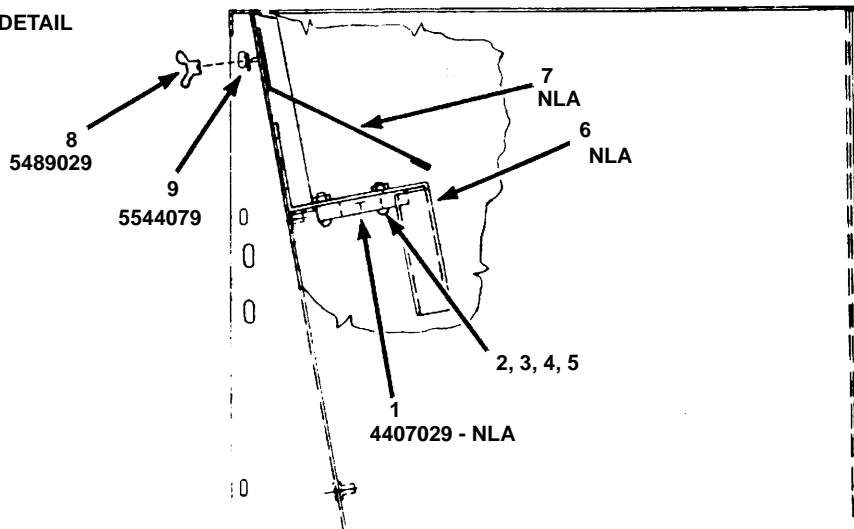
OUTER CABINET GEAR DRIVE MOTOR DETAIL

20	Left Hand Side Panel Assembly	No Longer Available
21	Right Hand Side Panel Assembly	No Longer Available
22	Upper Rear Panel Assembly	No Longer Available
23	Lower Rear Access Assembly	No Longer Available
24	Foam Tape	† 9202489
25	Mounting Screw (Lower rear panel to sides) 8-32 x 1" Long Phil Huss Hd	No Longer Available
26	Mounting Washer (Lower rear panel to sides)	† 5544079
27	Mounting Screw (Upper rear panel to sides) 8 x 1/2" Truss Phil Stainless Steel Sheet Metal	† 5121539
28	Mounting Washer (Upper rear panel to sides)	† 5544079
29	Drive Motor 60 Hz 501	No Longer Available
30	Drive Motor 50 Hz 501(Blador)	No Longer Available
31	Gear Reducer	No Longer Available
32	Coupling (Complete)	No Longer Available
33	Keyway	No Longer Available
34	Spider	No Longer Available
35	Rear Bracket	No Longer Available
36	Front Bracket Motor Mounting	No Longer Available
37	Rear Liner Support Bracket	No Longer Available
38	Machine Screw (Mounting bracket to reducer) 5/16-18 x 5/8" Hex	† 5035659
39	Flat Washer (Mounting bracket to reducer)	† 5573099
40	Lockwasher (Mounting bracket to reducer)	† 5573139
41	Machine Screw (Mounting rear support bracket to rear bracket) 1/4-20 x 1/2 Hex	† 5032369
42	Flat Washer (Mounting rear support bracket to rear bracket)	No Longer Available
43	Lockwasher (Mounting rear support bracket to rear bracket)	† 5545109
44	Machine Screw (Mounting reducer bracket to base) 1/4-20 x 1/2 Hex	† 5032369
45	Flat Washer (Mounting reducer bracket to base)	No Longer Available
46	Lockwasher (Mounting reducer bracket to base)	† 5545109
47	Side Ice Deflector (Not shown)	No Longer Available
48	Sump Trough Shield (Not shown)	No Longer Available
49	Liner Bottom Funnel	No Longer Available
50	Condensation Prevention Back Panel Kit	No Longer Available
51	Lock Tamper Bracket Weldment	No Longer Available

† Refer to Cross Reference Guide

CM0300, CONTINUED

UPPER BEARING DETAIL

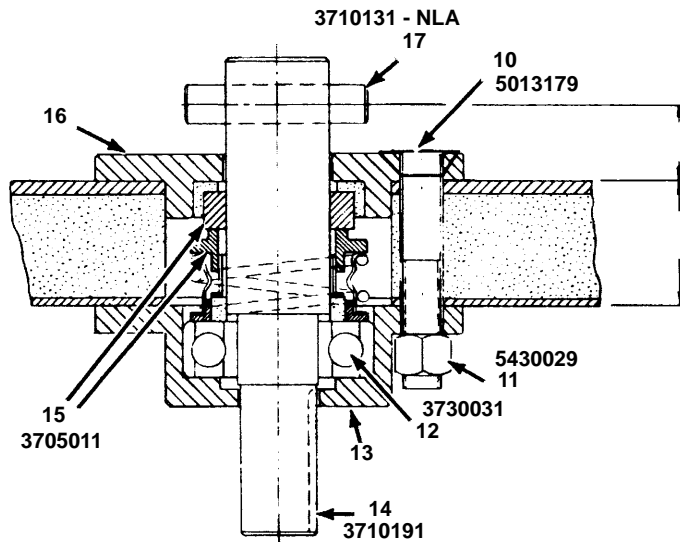


2086A

UPPER BEARING

	PART NO.
1 Auger Bearing.....	No Longer Available
2 #10-23 Machine Screw.....	No Longer Available
3 Flat Washer.....	† 5504279
4 #10 Lockwasher.....	No Longer Available
5 10-32 Hex Nut.....	No Longer Available
6 Auger Bearing Bracket.....	No Longer Available
7 Ice Deflector.....	No Longer Available
8 Wing Nut.....	† 5489139
9 Lockwasher.....	† 5544079

LOWER BEARING DETAIL



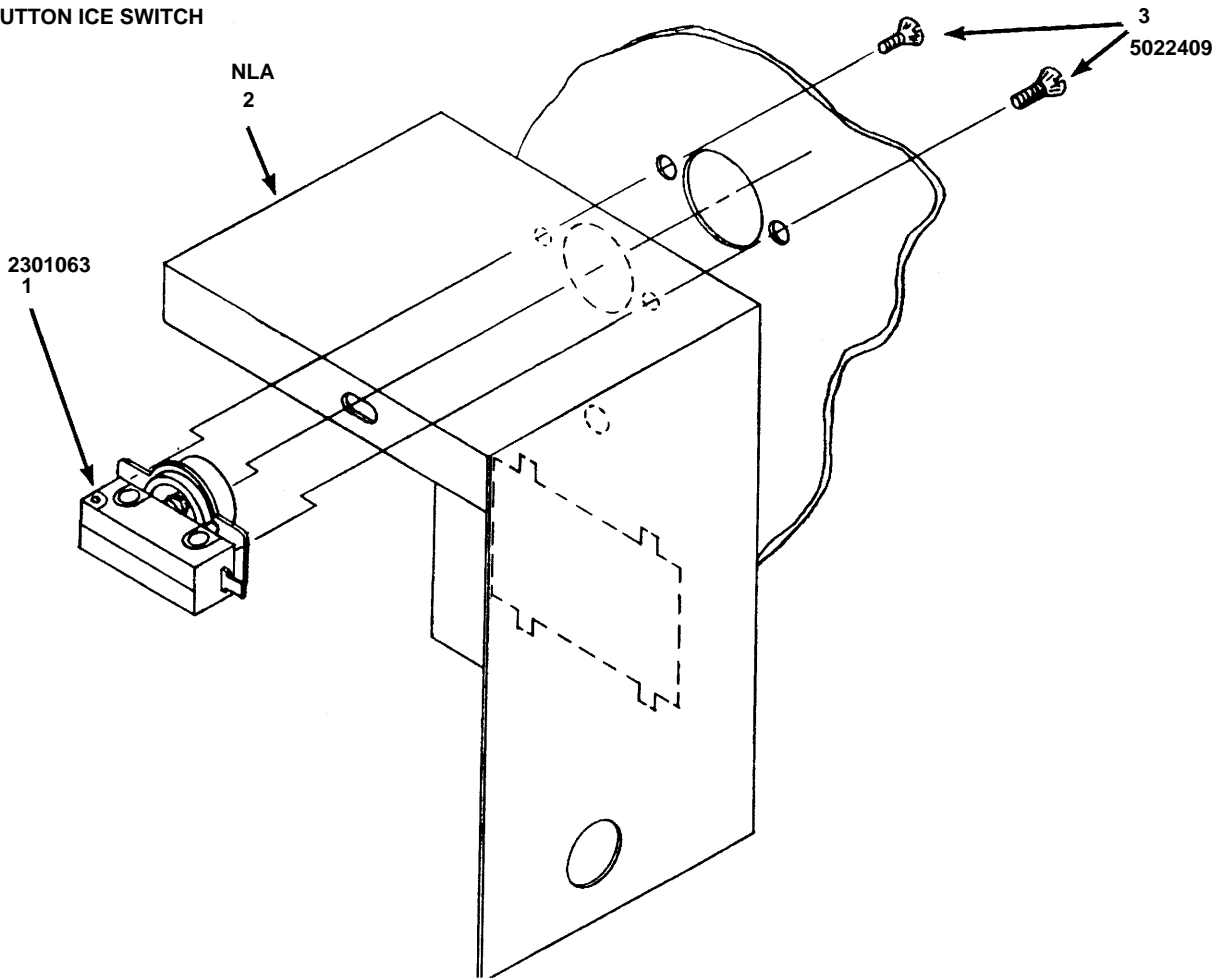
2086B

LOWER BEARING AUGER SECTION VIEW

10 3/8-16 x 2-1/4 Bolt.....	† 5013179
11 Hex Lock Nut.....	† 5430029
12 Bearing.....	3730031
13 Lower Bearing Housing.....	No Longer Available
14 Lower Bearing Shaft Before SN 850864202 Use.....	3710191
Lower Bearing Shaft After SN 850864202 Use.....	3710333
15 Lower Seal With Seat.....	3705011
16 Housing Lower Seal.....	No Longer Available
17 Pin Lower Bearing Shaft Before SN 850864202.....	No Longer Available
After SN 850864202 Use Pin.....	3710323
Screw.....	† 5032369
Washer.....	† 5545119
18 Lower Bearing Housing Assembly (Includes items 12, 13 & 14).....	116911

CM0310

PUSH BUTTON ICE SWITCH



2087

PUSH BUTTON CM0310

	PART NO.
1 Microswitch Push Button	† 2301063
2 Enclosure Ice Switch	No Longer Available
3 Machine Screw No. #6-32 x 3/8" Long Slotted Flat Head Stainless Steel	† 5022409
4 Label "Push For Ice" Not Shown	8131153

CONVERSION KITS

A Push Button to Key Operation	Sales K00026
B Push Button to Coin Operation 115V for Units Prior to SN 851164318	No Longer Available
C Push Button to Coin Operation 230V for Units Prior to SN 851164318	0700473
Kits Not Available After SN 851164318	

For kit availability, pricing, and ordering instructions on field converting Manitowoc's standard 25¢ U.S. coin acceptor mechanism to a U.S. coin, foreign coin, or token combination of customer's choice, please contact:

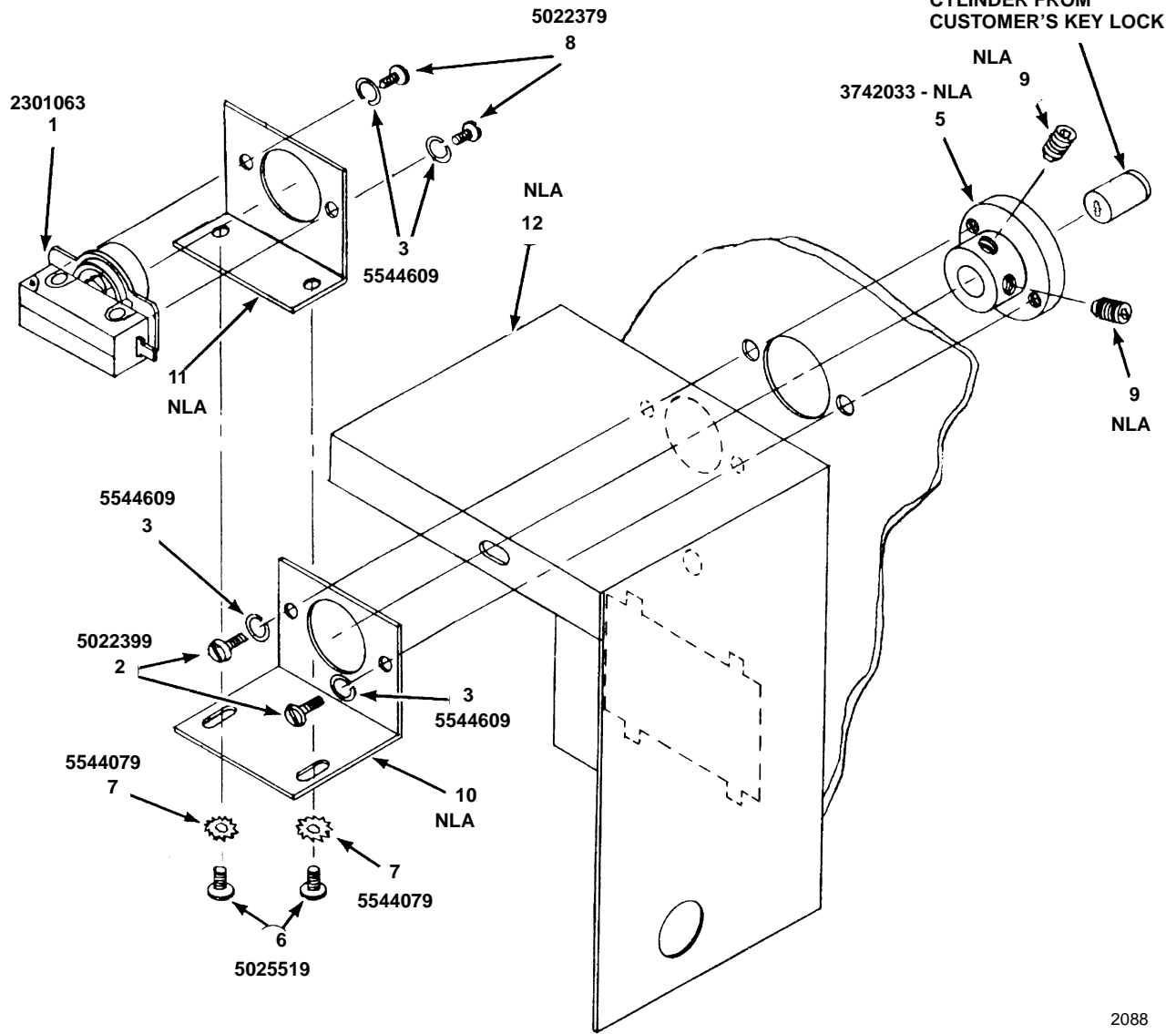
Monarch Product Sales Corporation
 105 East Fourth Street
 Covington, Kentucky 41011
 18003549713
 in Kentucky 606-261-4421

Manitowoc will not stock these conversion kits.

† Refer to Cross Reference Guide

CK0320

KEY OPERATED ICE SWITCH DETAIL



2088

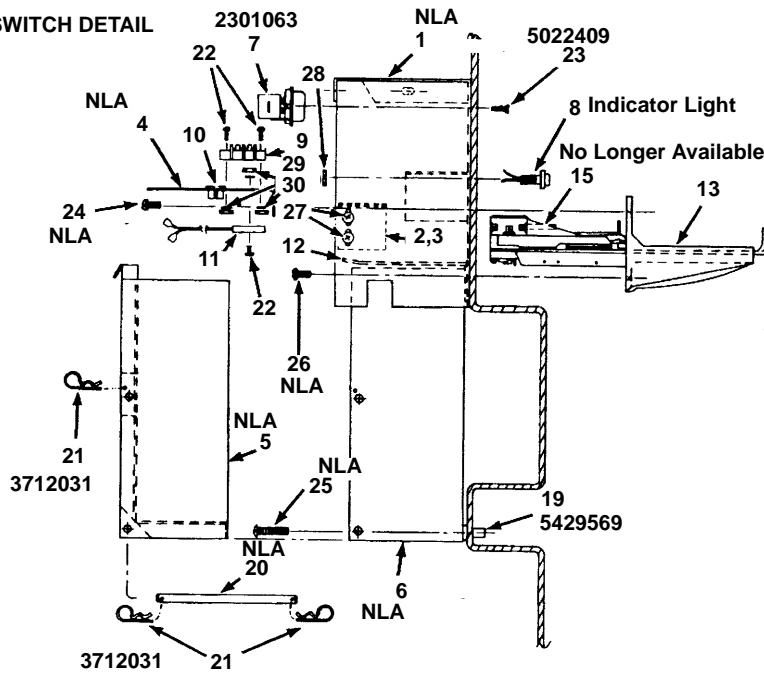
KEY OPERATED CK0320

	PART NO.
1 Microswitch	† 2301063
2 #6-32 Machine Screw x 5/8 Long	† 5022399
3 #8 Lockwasher	† 5544609
4 #6-32 x 1/2" Phil Head Screw	No Longer Available
5 Room Key Cylinder	No Longer Available
6 Machine Screw	5022519
7 Lockwasher	† 5544079
8 #6-32 Machine Screw x 5/16 Long	† 5022379
9 Set Screw	No Longer Available
10 Key Cylinder Bracket	No Longer Available
11 P.B. Switch Mounting Bracket	No Longer Available
12 Enclosure - Ice Switch	No Longer Available
13 Label "Insert Room Key Push For Ice" Not Shown	No Longer Available

† Refer to Cross Reference Guide

CC0330

COIN OPERATED ICE SWITCH DETAIL



2089

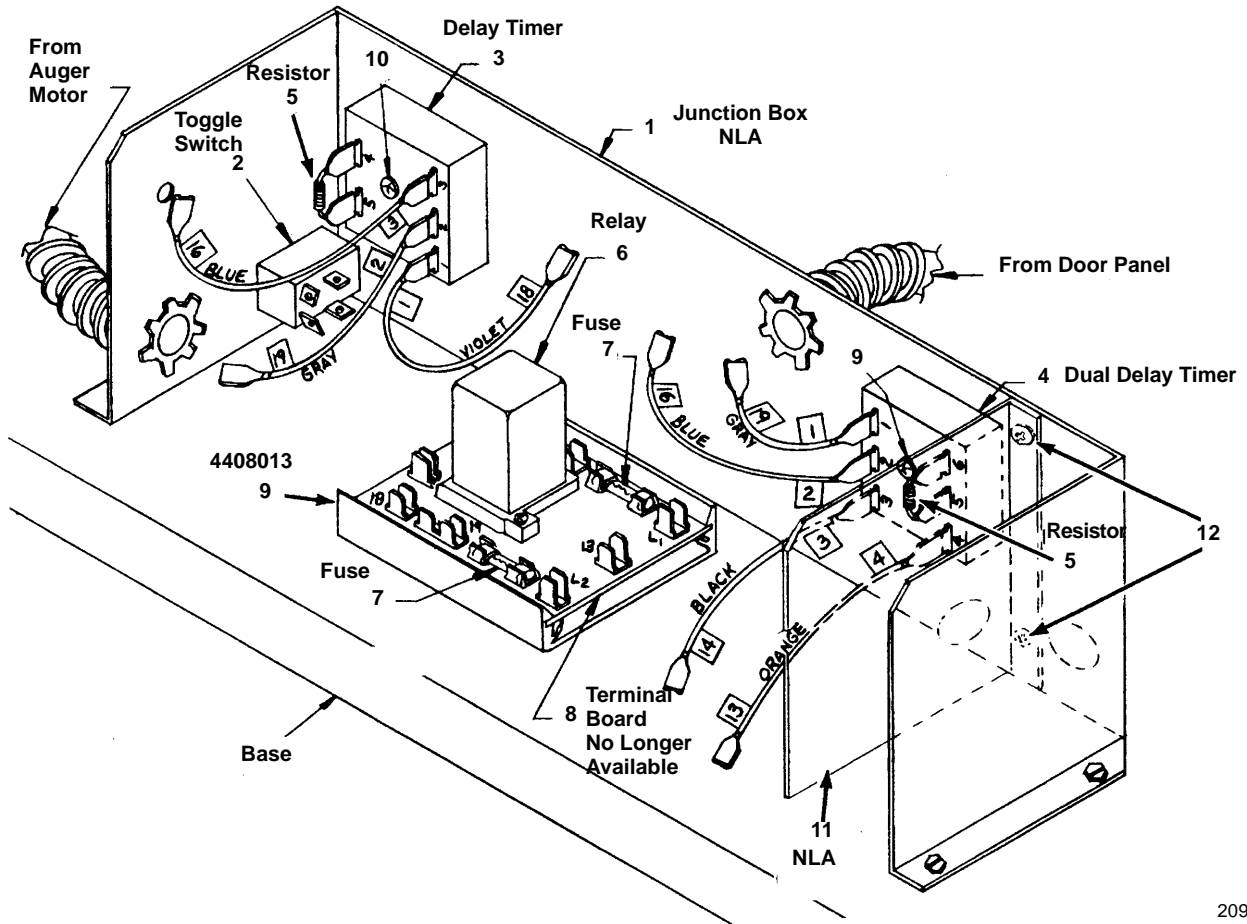
COIN OPERATED CK0330

PART NO.

1	Enclosure Ice Switch	No Longer Available
2	Switch Guard	No Longer Available
3	Switch Insulator	No Longer Available
4	Heater Bracket	No Longer Available
5	Coin Box Weldment	No Longer Available
6	Coin Box Enclosure	No Longer Available
7	Microswitch	† 2301063
8	Indicator Light (125V). (230V)	No Longer Available No Longer Available
9	Terminal Block	No Longer Available
10	Heyco Bushing	2500031
11	Heater (115V). (230V)	2202113 No Longer Available
12	Tamper Cover	No Longer Available
13	Coin Chute (25¢) or Token	No Longer Available
14	Coin Chute (50¢)	No Longer Available
15	Coin Switch for Coin Chute	No Longer Available
16	Return Spring for Coin Chute Not Shown	3300073
17	Ratchet Spring for Coin Chute Not Shown	3300083
18	Finger Extension Spring for Coin Chute Not Shown	No Longer Available
19	Rubber Well Nut	† 5429569
20	Coin Box Pivot	No Longer Available
21	Pivot Clips	† 3712031
22	#6-32 x 5/8" Machine Screw	† 5022399
23	#6-32 x 3/8" Machine Screw	† 5022409
24	#10-32 x 3/8" Machine Screw	No Longer Available
25	#10-32 x 1" Machine Screw	No Longer Available
26	#10-32 x 1/2" Machine Screw	No Longer Available
27	#8 x 1/2 S.M.S.	† 5124649
28	Speed Nut	† 5475049
29	#6-32 Hex Nut	No Longer Available
30	Lockwasher	No Longer Available
31	Label "No Ice When Light Is On Push For Ice" Not Shown	No Longer Available
32	Label "Empty Light" Not Shown	No Longer Available
33	Label - Coin Designation (Multiple)	No Longer Available

CM0330

CONTROL BOX DETAIL



2090

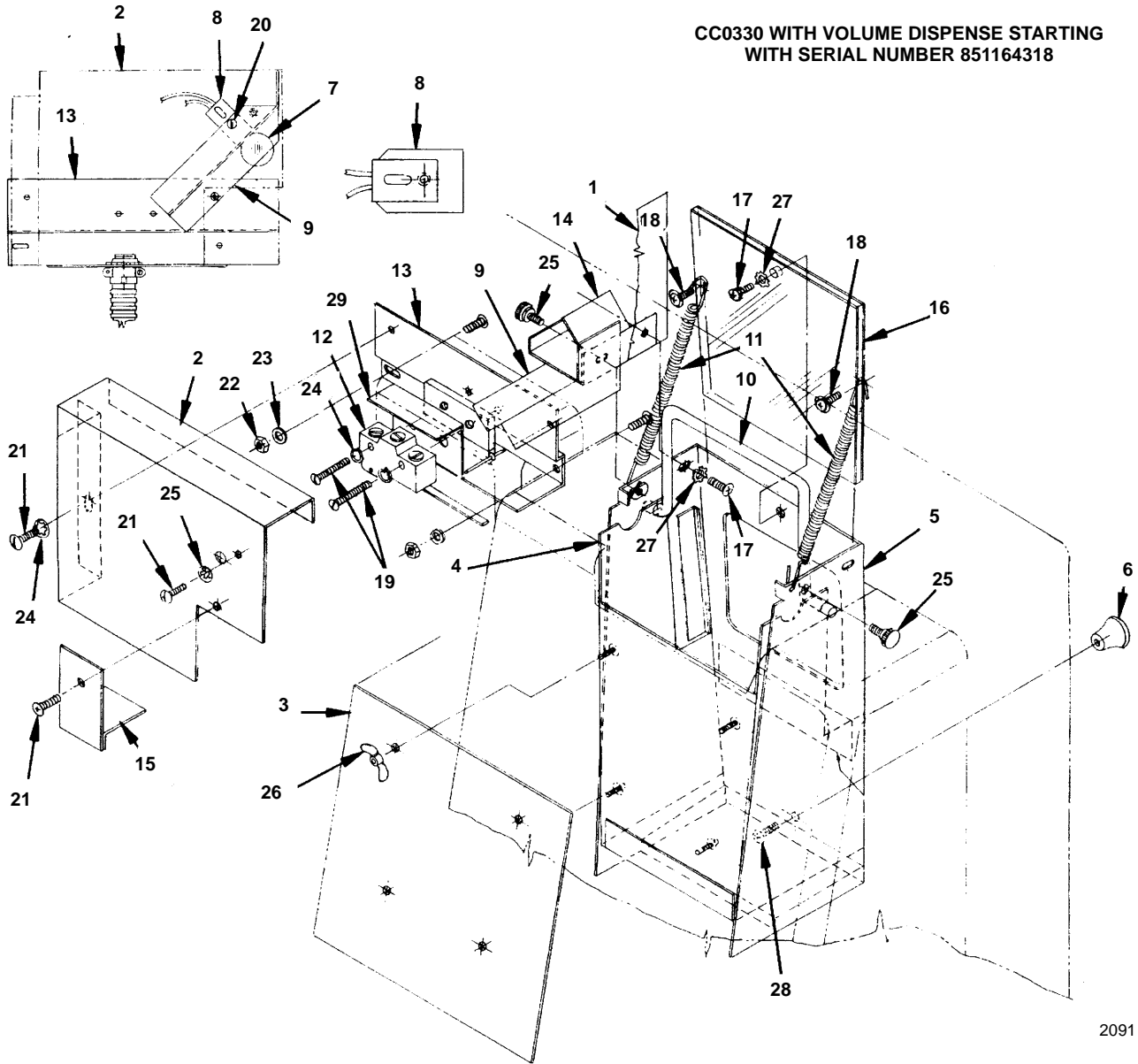
CONTROL BOX DETAIL

	PART NO.
1 Junction Box	No Longer Available
2 Toggle Switch (Lock out switch)	No Longer Available
3 Delay Timer (115V)	No Longer Available
(230V)	No Longer Available
4 Dual Delay Timer (115V)	No Longer Available
(230V)	No Longer Available
5 Resistor Only: 270-300 K-Ohm	Not Stocked by Manitowoc
	Part of Timer Assembly
6 Relay (115V)	No Longer Available
(230V)	2408103
7 Fuse 1/2 Amp Buss or Fusetron Type AGC	No Longer Available
8 Terminal Board	No Longer Available
9 Plastic Mounting Channel	4408013
10 #8-32 x 1" Machine Screw	No Longer Available
11 Junction Box Divider	No Longer Available
12 #8-32 x 1/2 Machine Screw	† 5026249

† Refer to Cross Reference Guide

CC0330

CC0330 WITH VOLUME DISPENSE STARTING
WITH SERIAL NUMBER 851164318



2091

PART NO.		PART NO.	
1	Bulb Shield	No Longer Available	
2	Chute Switch Cover	No Longer Available	
3	Chute Stabilizer Plate	No Longer Available	
4	Inside Ice Chute	No Longer Available	
5	Outside Ice Chute	No Longer Available	
6	Knob	5305073	
7	Lamp	No Longer Available	
8	Lamp Holder	No Longer Available	
9	Lamp Holder Bracket	No Longer Available	
10	Retainer Bar	No Longer Available	
11	Spring	No Longer Available	
12	Switch	2301183	
13	Switch Mounting Bracket	No Longer Available	
14	Switch Bracket	No Longer Available	
15	Tamper Proof Bracket	No Longer Available	
16	Window	No Longer Available	
17	Machine Screw #8-32 x 1/2	† 5026249	
18	Self Tapping Screw #10-24 x 5/8	† 5202079	
19	Screw #532 x 7/8 Brass	No Longer Available	
20	Slot Head Screw #10-32 x 3/16	No Longer Available	
21	SI Pan Head Machine Screw #6-32 x 5/16	† 5022379	
22	Hex Nut #8-32	† 5429069	
23	Flat Washer #8	† 5504269	
24	#6 Lockwasher	No Longer Available	
25	Thumbscrew #8-32 x 9/16	† 5305049	
26	Wingnuts #8-32	† 5489139	
27	Lockwasher, External Tooth #8	† 5544079	
28	Machine Screw #10-32 x 3/8	No Longer Available	
29	Insulator	No Longer Available	

† Refer to Cross Reference Guide

INTENTIONALLY LEFT BLANK