



Ice Machine Parts List for Series EC040 Models

ECG040A

ECG040W

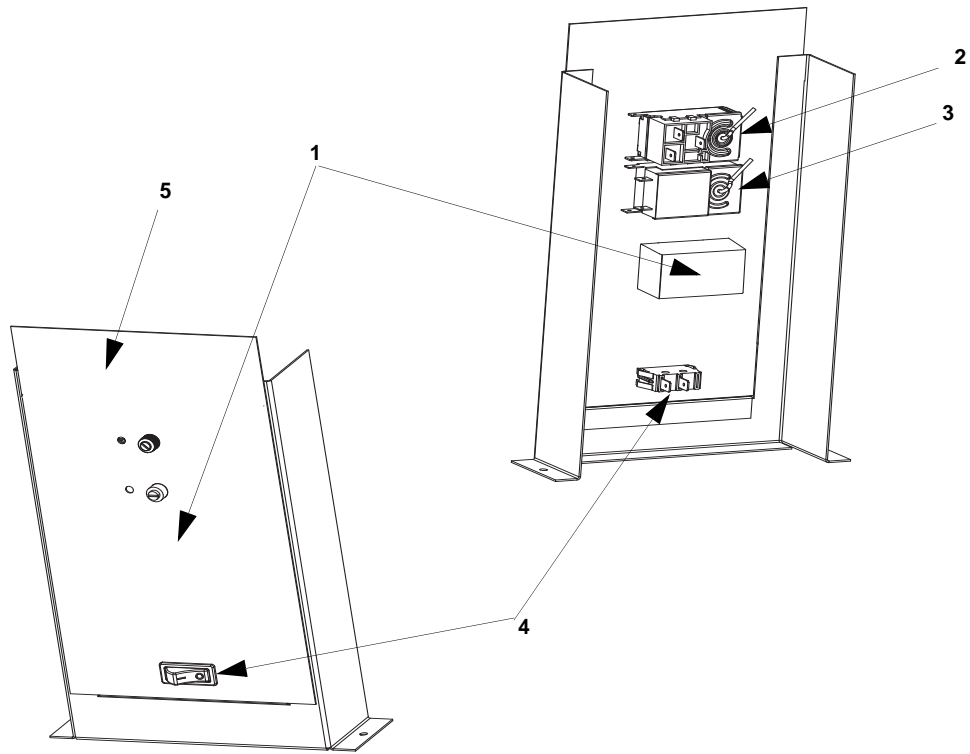
ECS040A

ECS040W

ECM040A

ECM040W

EC40 CONTROL BOX



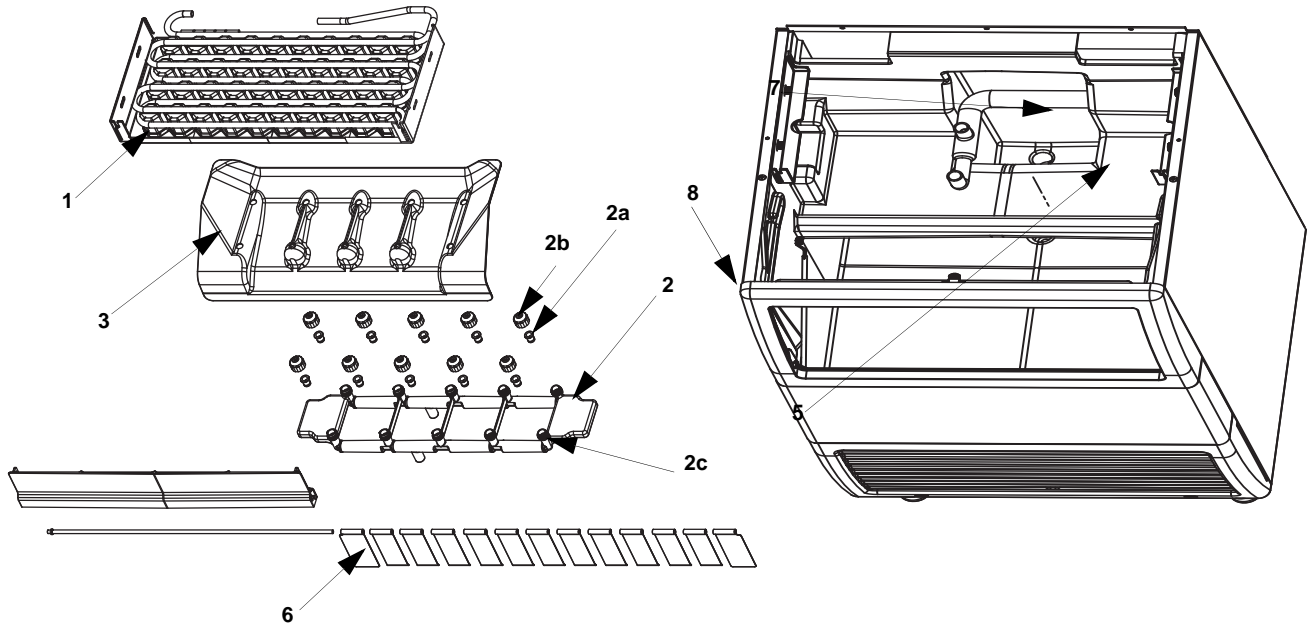
DESCRIPTION

	DESCRIPTION	PART NO.
1	Mechanical Timer(Up to SN 061253493)	20-0664-9
	SCR Timer(After SN 061253493)	040000879
2	Evaporator Thermostat	20-0883-3
3	Bin Thermostat	20-0914-9
4	Toggle Switch	20-0670-9
5	Control Box Cover	60-5599-9

Miscellaneous – Brackets, Screws, etc.

6	Screw, 7 x 30 mm	50-0443-9
7	Screw (Mount control box/cover to cabinet)	50-0449-9
8	Wiring Harness, Main	000001181
9	Wiring Harness, Toggle Switch	20-0977-3

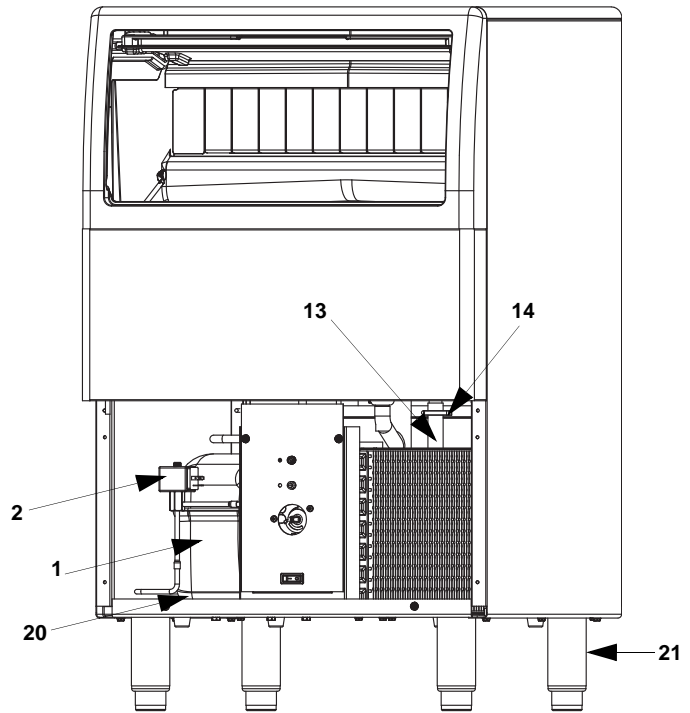
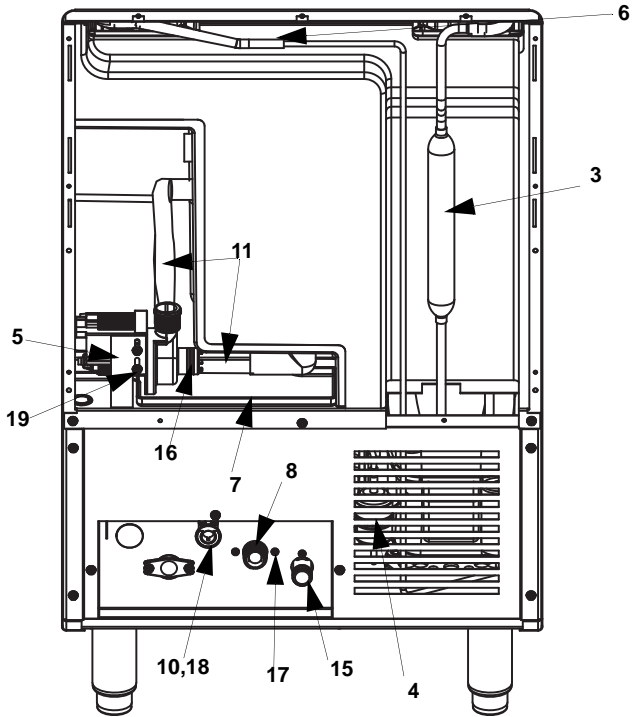
EC40 EVAPORATOR ASSEMBLY



DESCRIPTION

	DESCRIPTION	PART NO.
1	Evaporator Assembly	
	a. Large	76-0234-3
	a. Standard	76-0235-3
	b. Mini	76-0236-3
2	Spray Bar Assembly	76-0237-3
	a. Insert (each)	40-0877-9
	b. Cap (each)	40-0876-9
	c. O-ring	50-0463-9
3	Ice Ramp	40-1103-9
4	Evaporator Housing Assembly(not shown)	40-1020-1
5	Standpipe Assembly	
	a. Standpipe	40-1037-9
	b. Plug	40-1036-9
6	Curtain Assembly	
	a. Paddle (Each uses 12 per machine)	40-1258-9
	b. Rod	30-0455-9
	c. Hanger	40-1127-9
Miscellaneous – Brackets, Screws, etc.		
7	Tubing (Water Pump Out)	000000943
8	Spray Bar Clamp	50-0508-9
9	Water Inlet Diverter	60-7248-1
10	Pump Inlet Screen	40-1493-9
11	Water Supply Hose	000001220

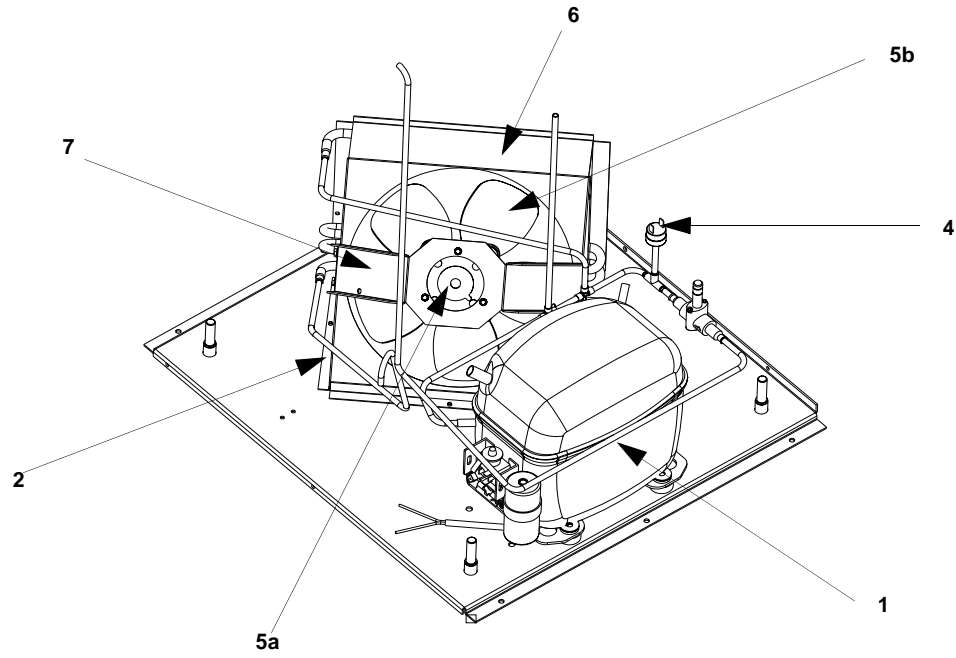
EC40 REFRIGERATION COMPARTMENT – COMMON PARTS



DESCRIPTION

		PART NO.
1	Compressor	
a.	Up to SN 050752034 and the SN 31000673 & SN31000674, and After SN 310015292	
	Danfoss 230/50-60/1 Ph	76-0238-3
	Start Relay	20-0609-9
	Start Capacitor	20-0606-9
b.	From SN 050752035 to SN 310015273	
	Embraco 230/50-60/1 Ph	82-5364-3
	Start Relay	20-1007-3
	Start Capacitor	20-1009-3
	Overload Protector	20-1011-3
2	Hot Gas Valve	
a.	Hot Gas Valve 230/50-60/1	76-0239-3
	Hot Gas Valve Coil Only 230/50-60/1	000001144
3	Cap Tube Assembly	76-0240-3
4	Line Drier	82-5216-9
5	Water Pump	
a.	230V/50 Hz	040000038
b.	230V/60 Hz	040000039
c.	Bracket	000000794
6	Evaporator Water Inlet Fitting	40-1116-9
7	Condensate Tray	40-0875-9
8	Water Inlet Valve	
a.	230V/50-60 Hz	000000887
b.	Mylar Shield	000000827
9	Power Cord 230/50/1 (not shown, Except China)	20-3302-3
	Power Cord 220/50/1 (not shown, Only in China)	20-0839-3
10	Terminal Block	20-0668-9
	Miscellaneous – Brackets, Screws, etc.	
11	Vinyl Tubing	
a.	Pump to Spray Bar	000000943
b.	Sump to Pump	000000942
12	Water Inlet Tubing .375 ID (not shown)	40-0902-9
13	Bin Drain Tube	000000195
14	Drain Line Clamp	50-0510-9
15	Drain Fitting Barbed	40-1128-9
16	Water Pump Inlet/Outlet Clamp	50-0508-9
17	Screw 7 x 7 mm (mounts water inlet valve)	50-0442-9
18	Screw 4 x 13 mm (mounts terminal block)	50-0485-9
19	Screw 5 x 13 mm (mounts water pump)	50-0502-9
20	Compressor Mounting	
a.	Compressor Mounting Retainer	56-4826-9
b.	Compressor Clevis Pin 1/4" x 1"	37-1210-9
c.	Compressor Hairpin Clip	56-4828-9
d.	Compressor Sleeve	50-0090-9
e.	Compressor Rubber Gromet	50-0089-9
f.	Compressor Washer	50-0097-9
21	Leg	50-0525-9

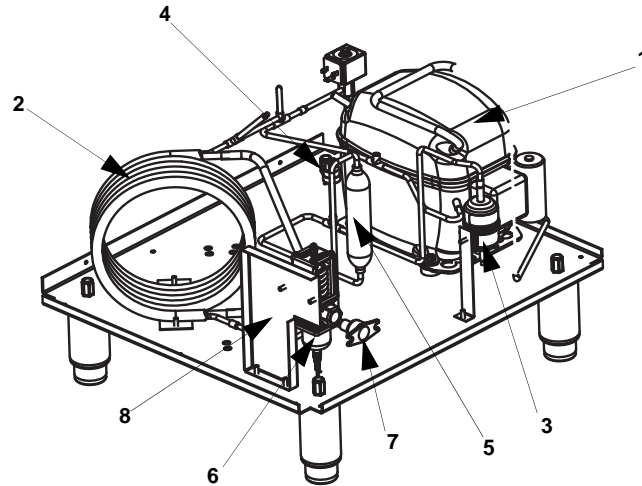
EC40 REFRIGERATION COMPARTMENT – AIR-COOLED



DESCRIPTION

	PART NO.
1 Compressor (Refer to COMMON PARTS Page)	Page EC40-4
2 Air Condenser	88-5135-9
3 Baffle - Air Condenser	30-0564-9
4 Fan Cycling Control	040001285
5 Fan Motor	
a. 230V/50 Hz	20-0021-9
b. Fan Blade	30-0565-9
Miscellaneous – Brackets, Screws, etc.	
6 Fan Shroud	60-2938-9
7 Fan Motor Mounting Bracket	60-6174-9
8 Screw Hex 5 x 31 mm (bracket to shroud)	50-0449-9
9 Screw Php 7 x 7 mm (motor to bracket)	50-0442-9
10 Lockwasher	50-0523-9

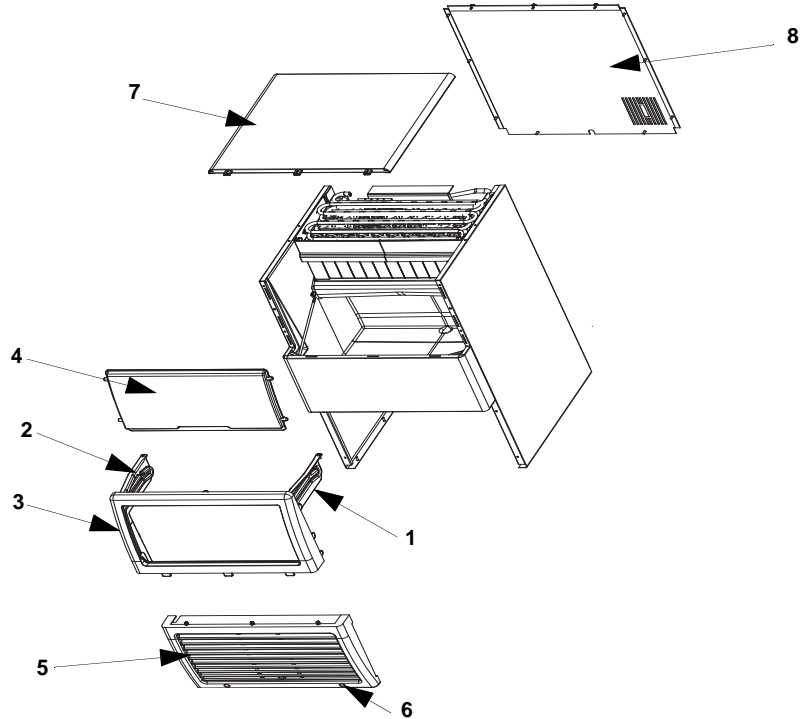
EC40 REFRIGERATION COMPARTMENT – WATER-COOLED



DESCRIPTION

	PART NO.
1 Compressor (Refer to COMMON PARTS Page)	Page EC40-4
2 Water Condenser	82-5252-9
3 Liquid Line Drier	82-5216-9
4 HPCO	20-0683-9
5 Receiver	82-5251-9
6 Water Regulating Valve	82-5272-9
a. Coupling 3/8 F x 3/8 NPT	83-3202-3
Miscellaneous – Brackets, Screws, etc.	
7 Adapter 1/2 NPTF	87-0610-3
8 Bracket	605603-9

EC40 PANELS



Door – Gray

1	Right Hand Track	40-0867-9
2	Left Hand Track	40-0868-9
3	Frame	40-0883-9
4	Door Assembly	40-0919-9
5	Grill	40-0872-9
6	Grill Screws (5 x 13 mm)	50-0449-9
7	Top Cover	60-5601-9
8	Back Panel	60-5604-9
9	Rear Utility Panel	000001154

Door – Blue

1	Right Hand Track	40-0925-9
2	Left Hand Track	40-0926-9
3	Frame	40-0928-9
4	Door Assembly	40-0922-9
5	Grill	40-0927-9
6	Grill Screws (5 x 13 mm)	50-0449-9
7	Top Cover	60-5601-9
8	Back Panel	60-5604-9
9	Rear Utility Panel	000001154

Door – Light Gray

1	Right Hand Track	40-0932-9
2	Left Hand Track	40-0933-9
3	Frame	40-0936-9
4	Door Assembly	40-0937-9
5	Grill	40-0934-9
6	Grill Screws (5 x 13 mm)	50-0449-9
7	Top Cover	60-5601-9
8	Back Panel	60-5604-9
9	Rear Utility Panel	000001154