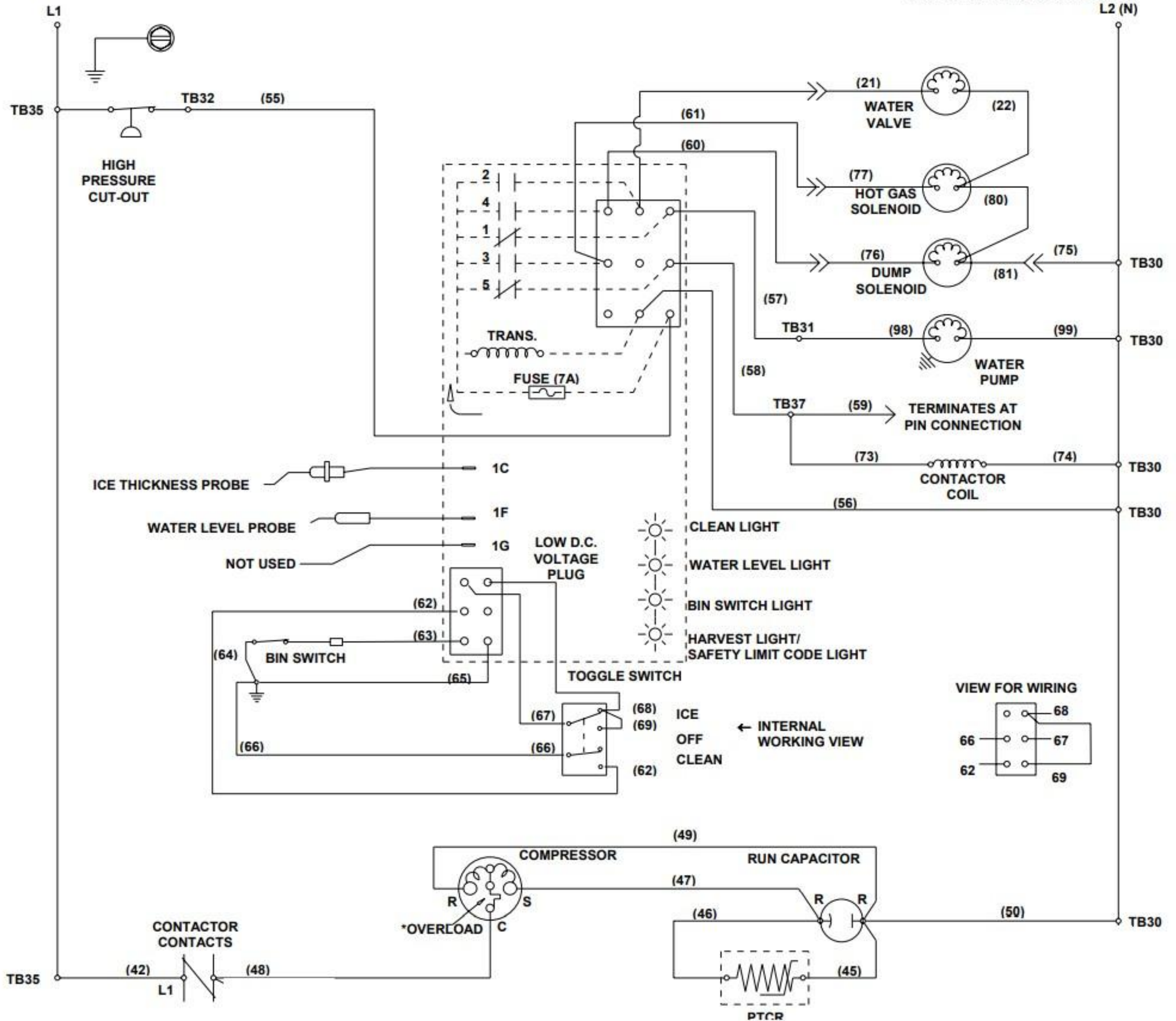
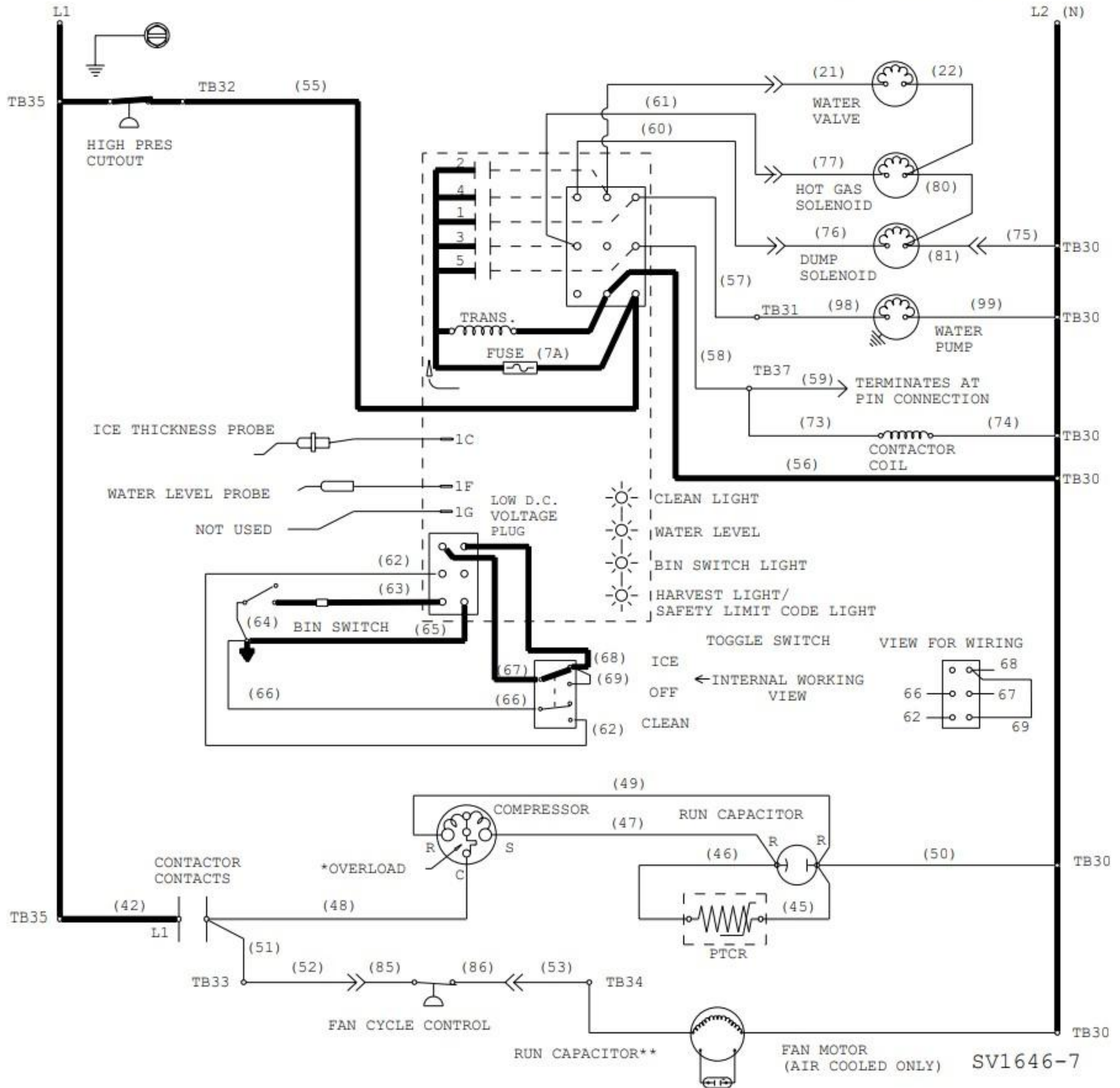


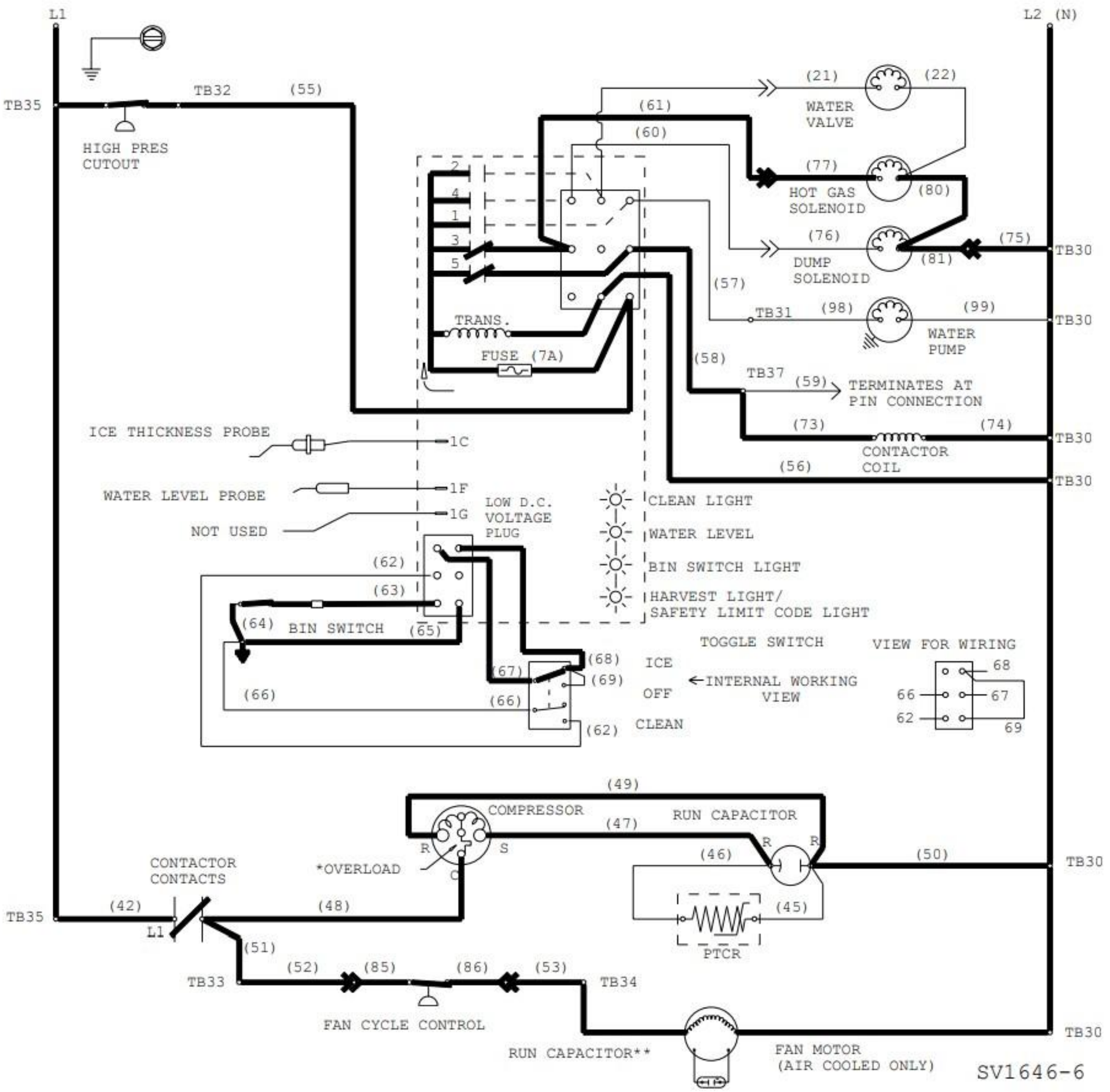
CAUTION: DISCONNECT POWER BEFORE WORKING ON ELECTRICAL CIRCUITRY.

NOTE: DIAGRAM SHOWN DURING FREEZE CYCLE.

SEE SERIAL PLATE FOR VOLTAGE







HIGH PRES CUTOUT

ICE THICKNESS PROBE

WATER LEVEL PROBE

NOT USED

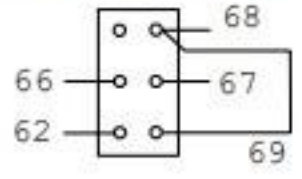
LOW D.C. VOLTAGE PLUG

- (68) ICE
- (69) OFF
- (62) CLEAN
- CLEAN LIGHT
- WATER LEVEL
- BIN SWITCH LIGHT
- HARVEST LIGHT/SAFETY LIMIT CODE LIGHT

TOGGLE SWITCH

← INTERNAL WORKING VIEW

VIEW FOR WIRING



CONTACTOR CONTACTS

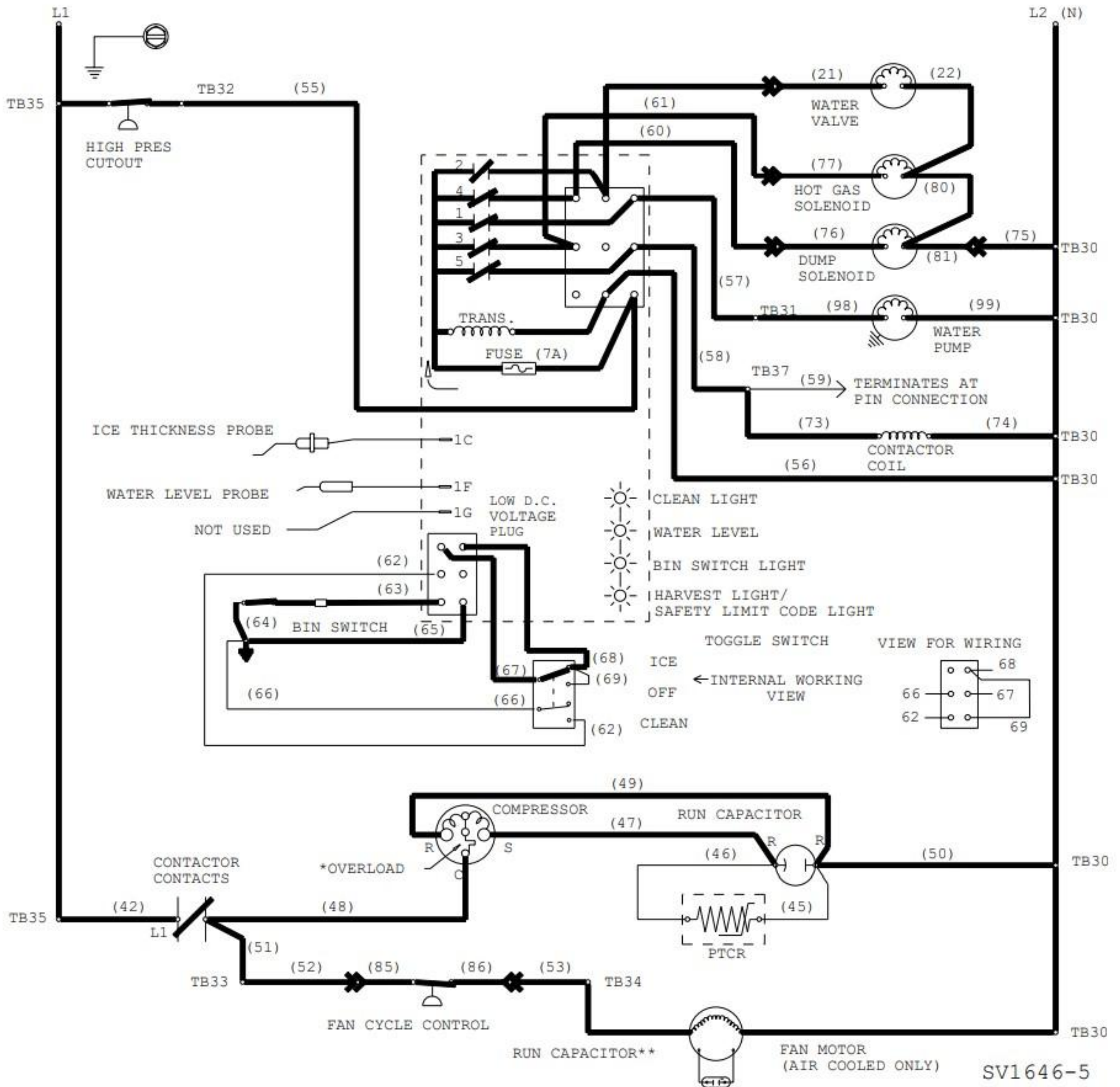
*OVERLOAD

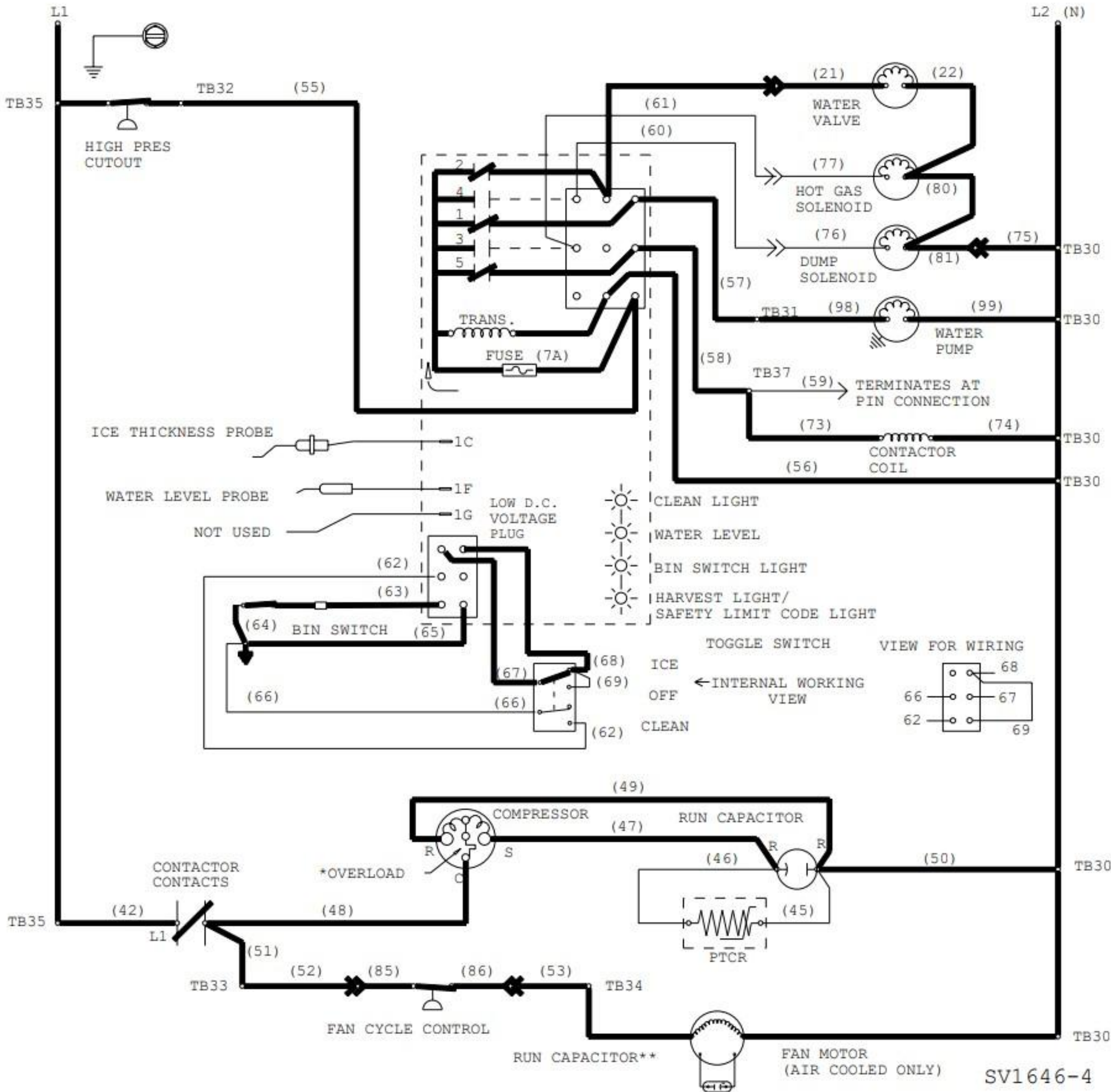
FAN CYCLE CONTROL

RUN CAPACITOR**

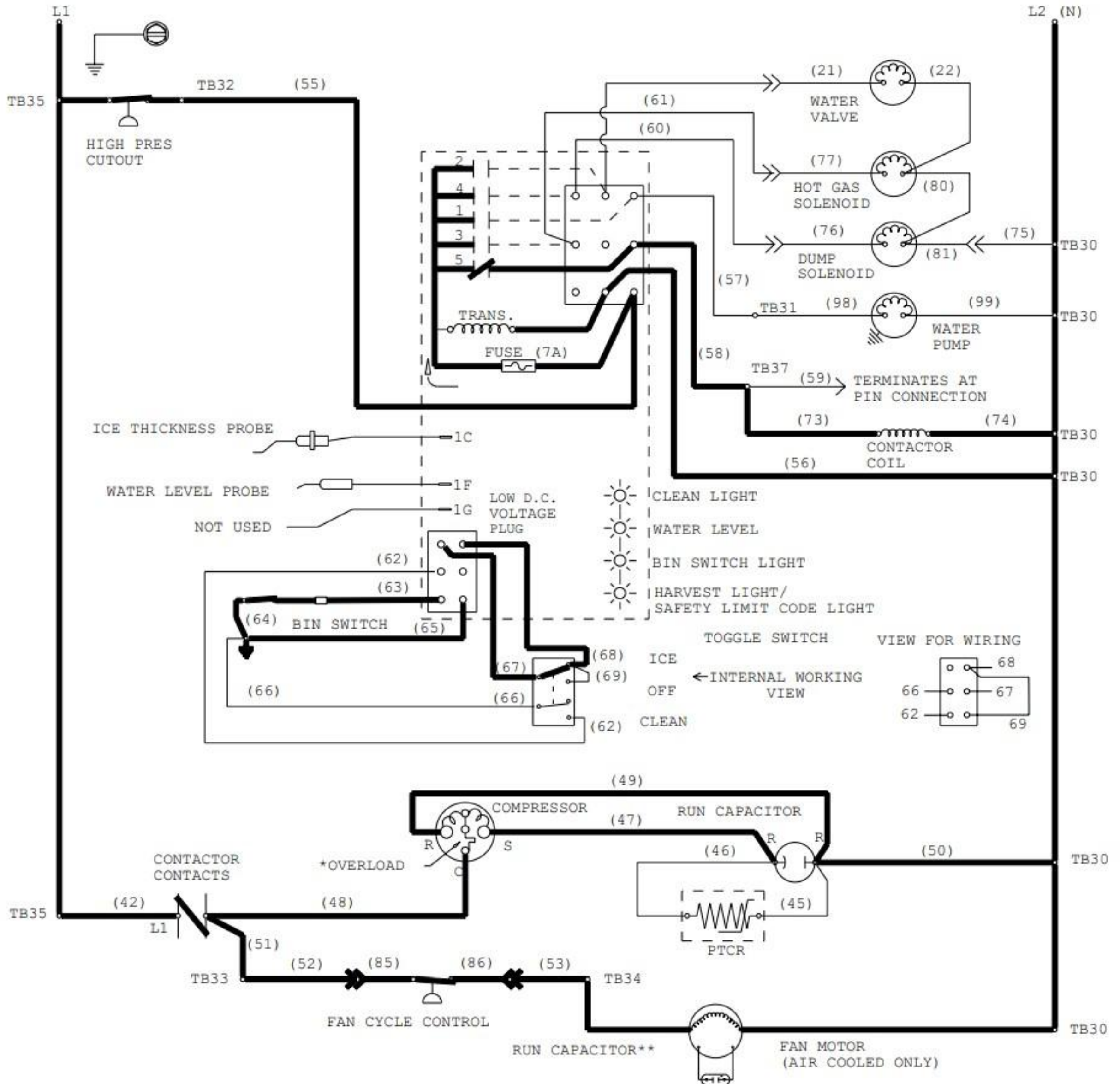
FAN MOTOR (AIR COOLED ONLY)

SEE SERIAL PLATE FOR VOLTAGE

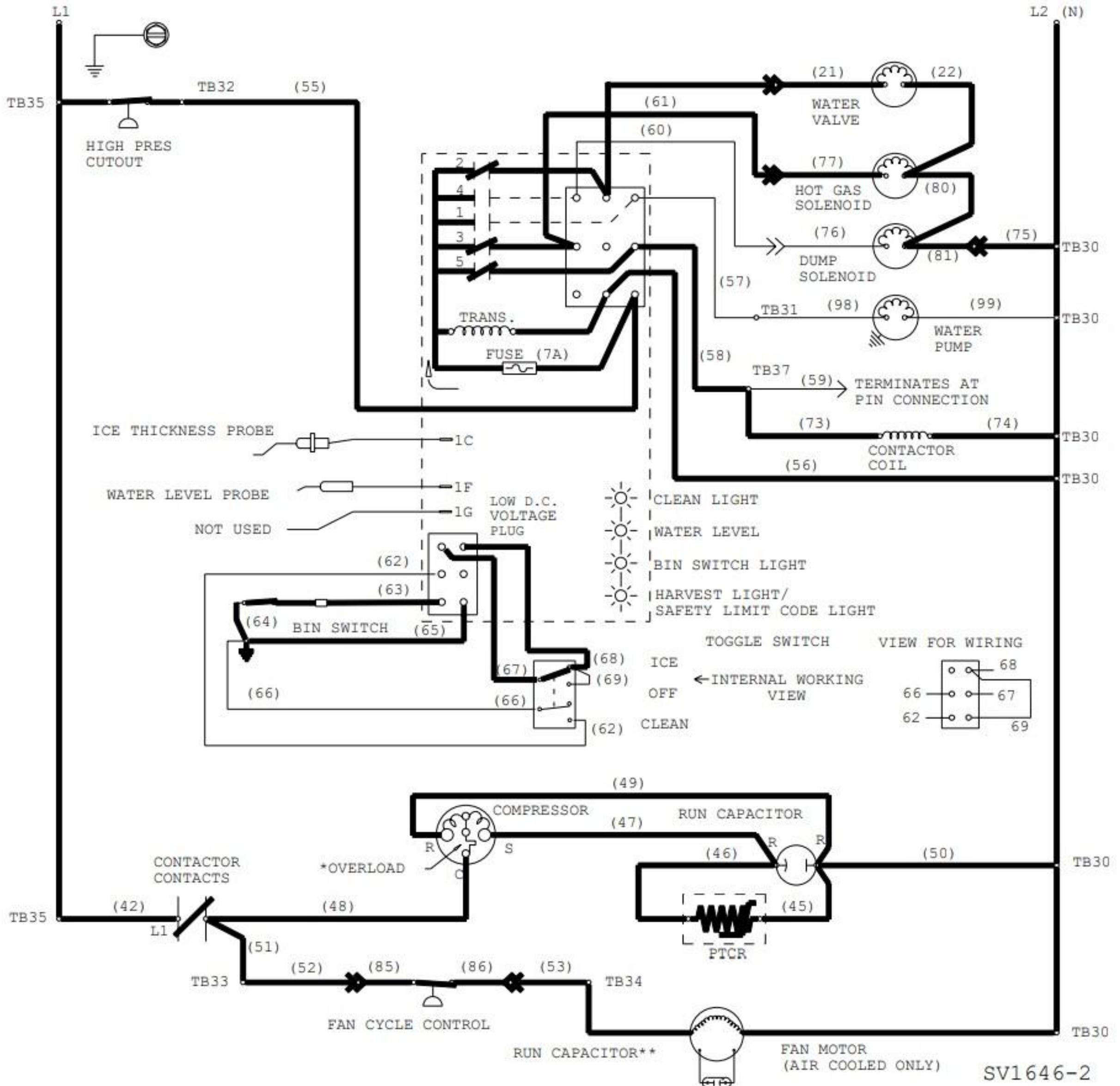




SEE SERIAL PLATE FOR VOLTAGE



SEE SERIAL PLATE FOR VOLTAGE



SV1646-2

