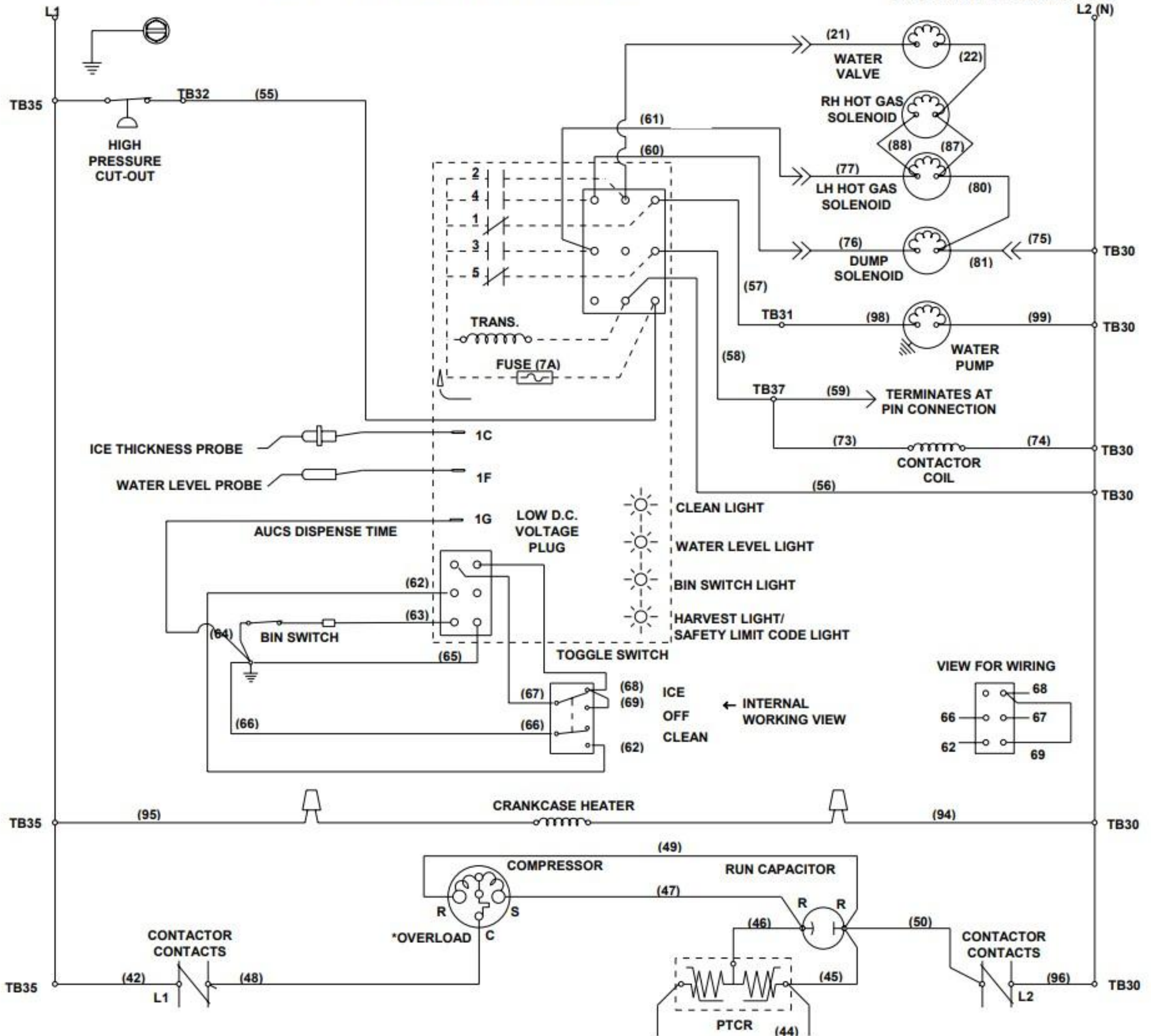


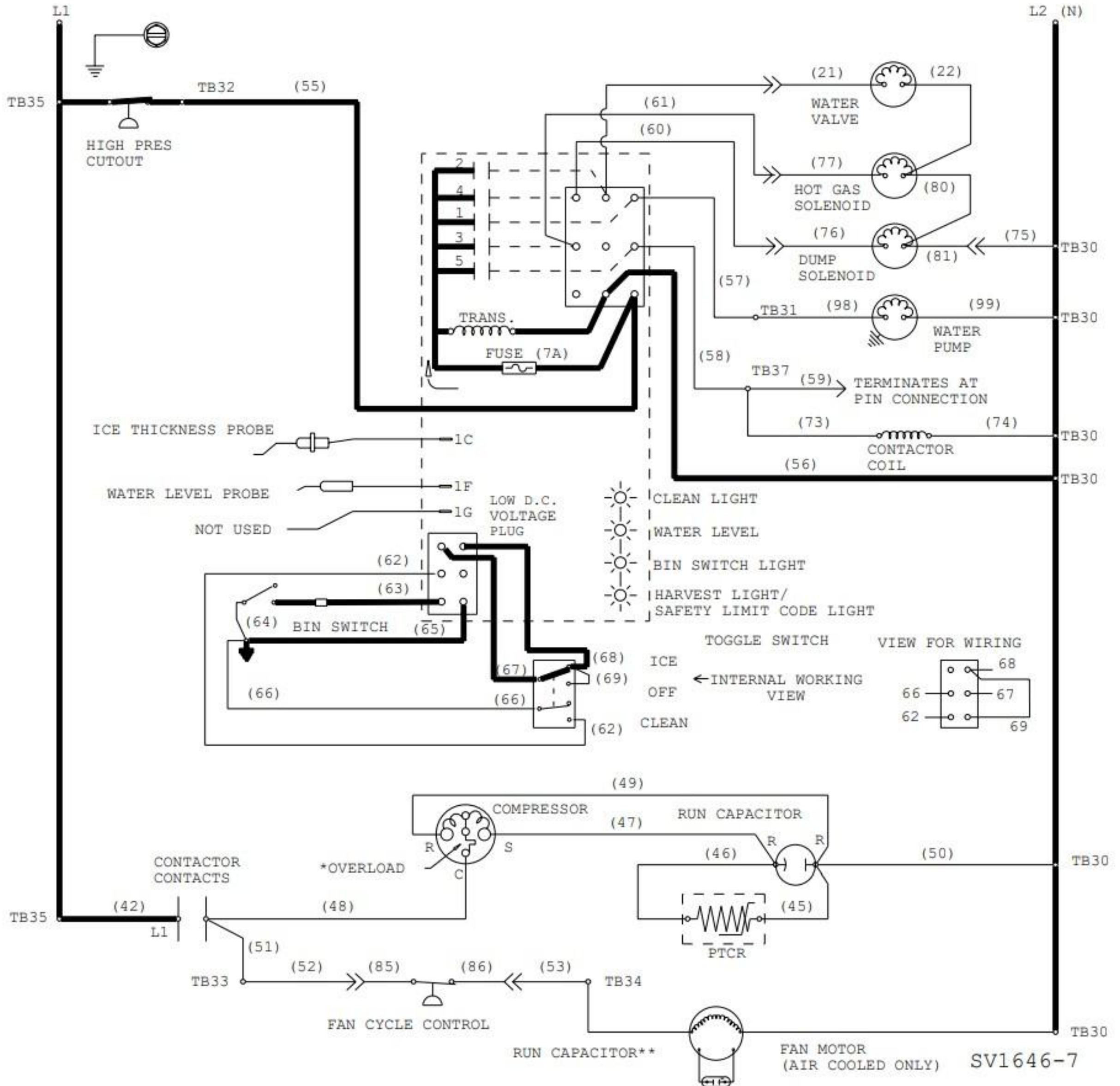
CAUTION: DISCONNECT POWER BEFORE WORKING ON ELECTRICAL CIRCUITRY.

NOTE: DIAGRAM SHOWN DURING FREEZE CYCLE.

SEE SERIAL PLATE FOR VOLTAGE



SEE SERIAL PLATE FOR VOLTAGE



SEE SERIAL PLATE FOR VOLTAGE

