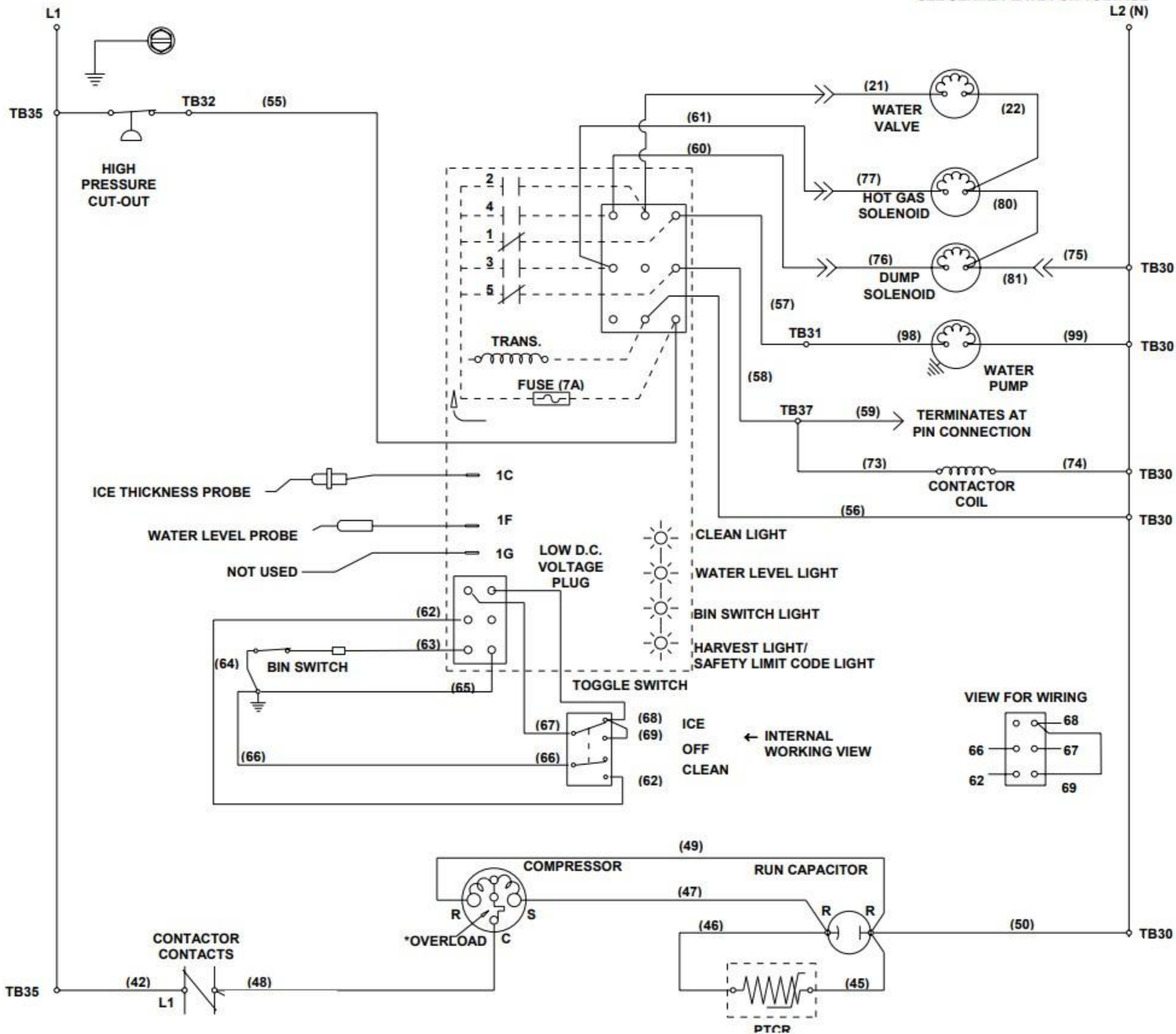
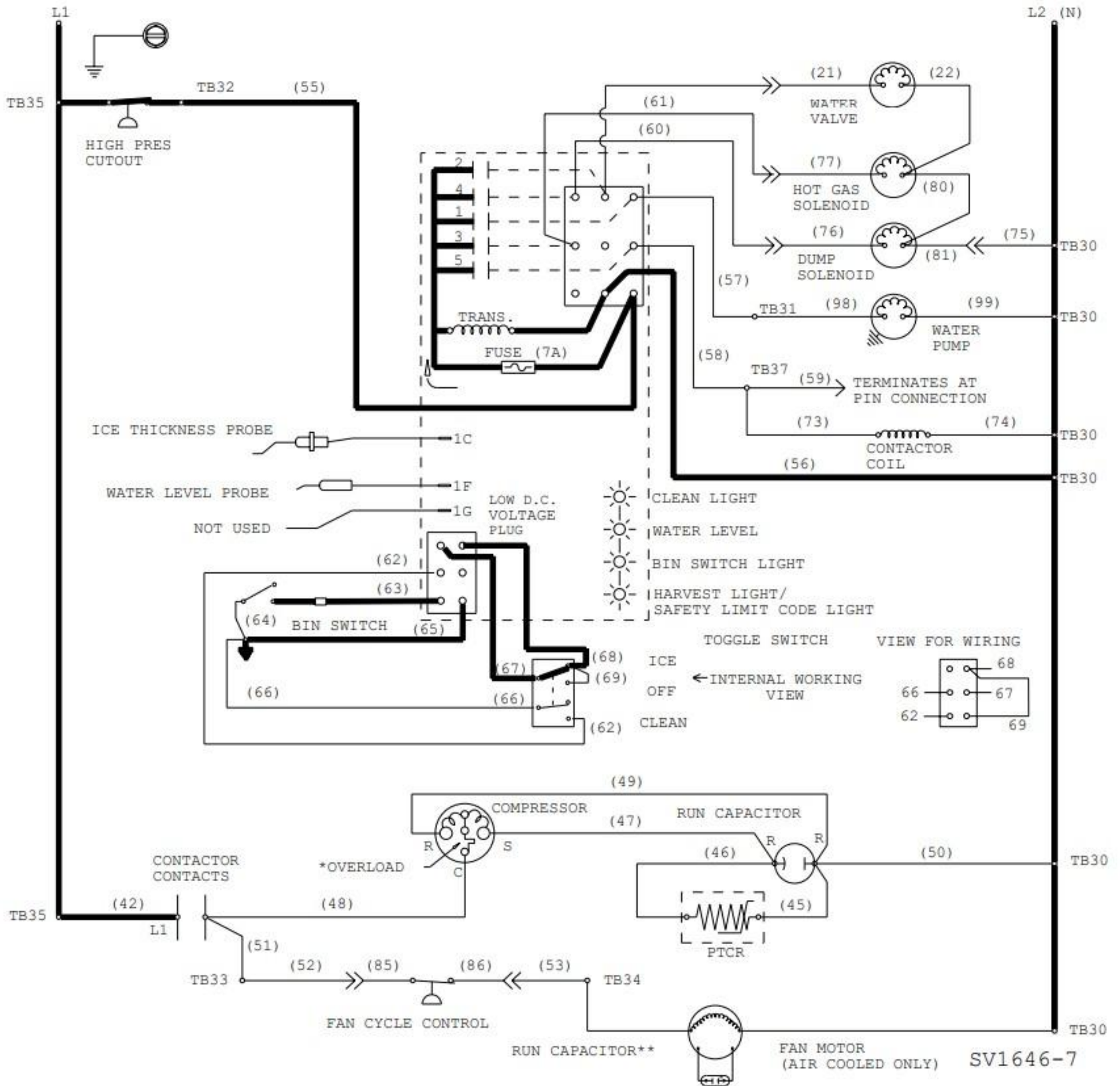


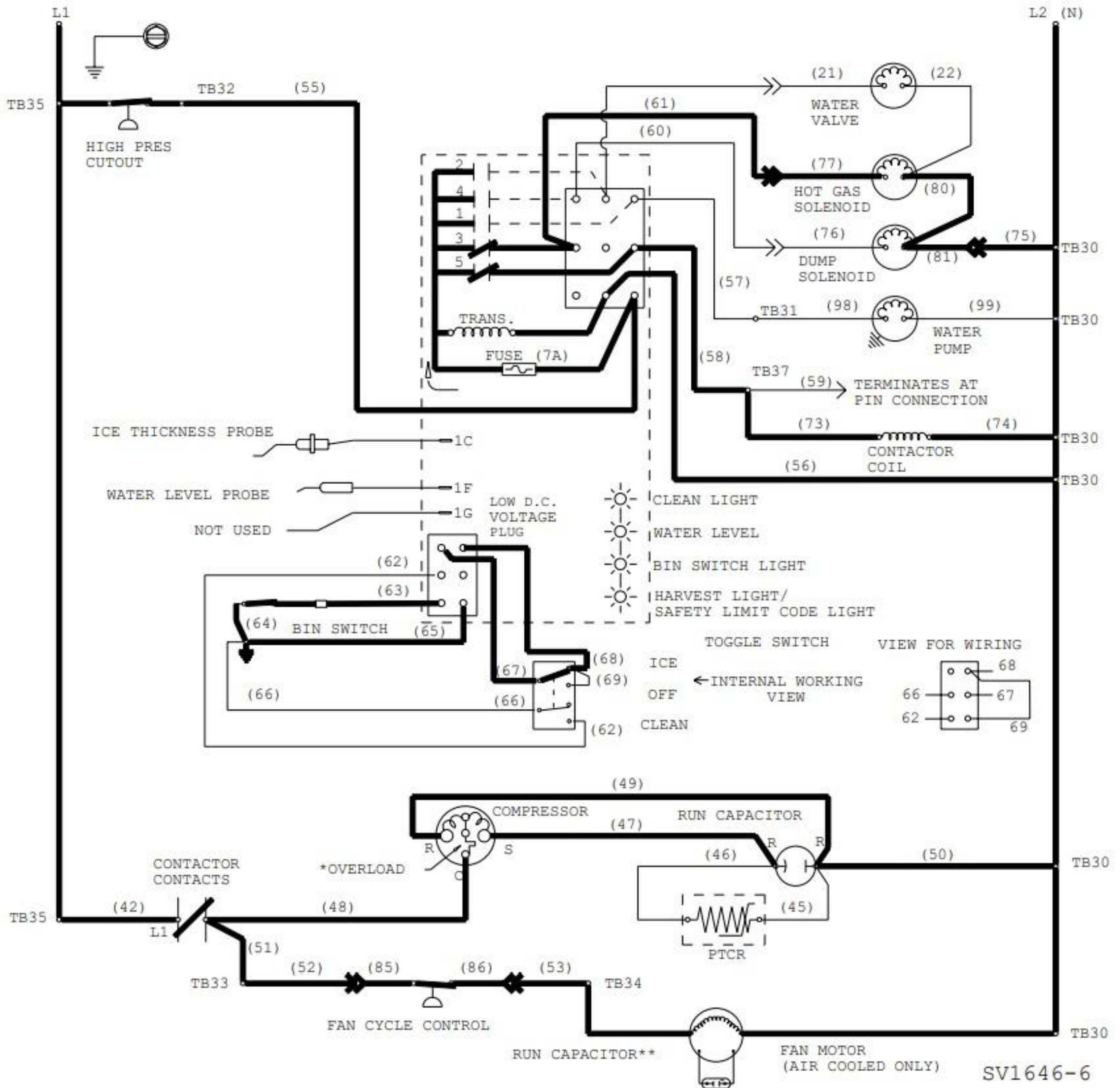
CAUTION: DISCONNECT POWER BEFORE WORKING ON ELECTRICAL CIRCUITRY.

NOTE: DIAGRAM SHOWN DURING FREEZE CYCLE.

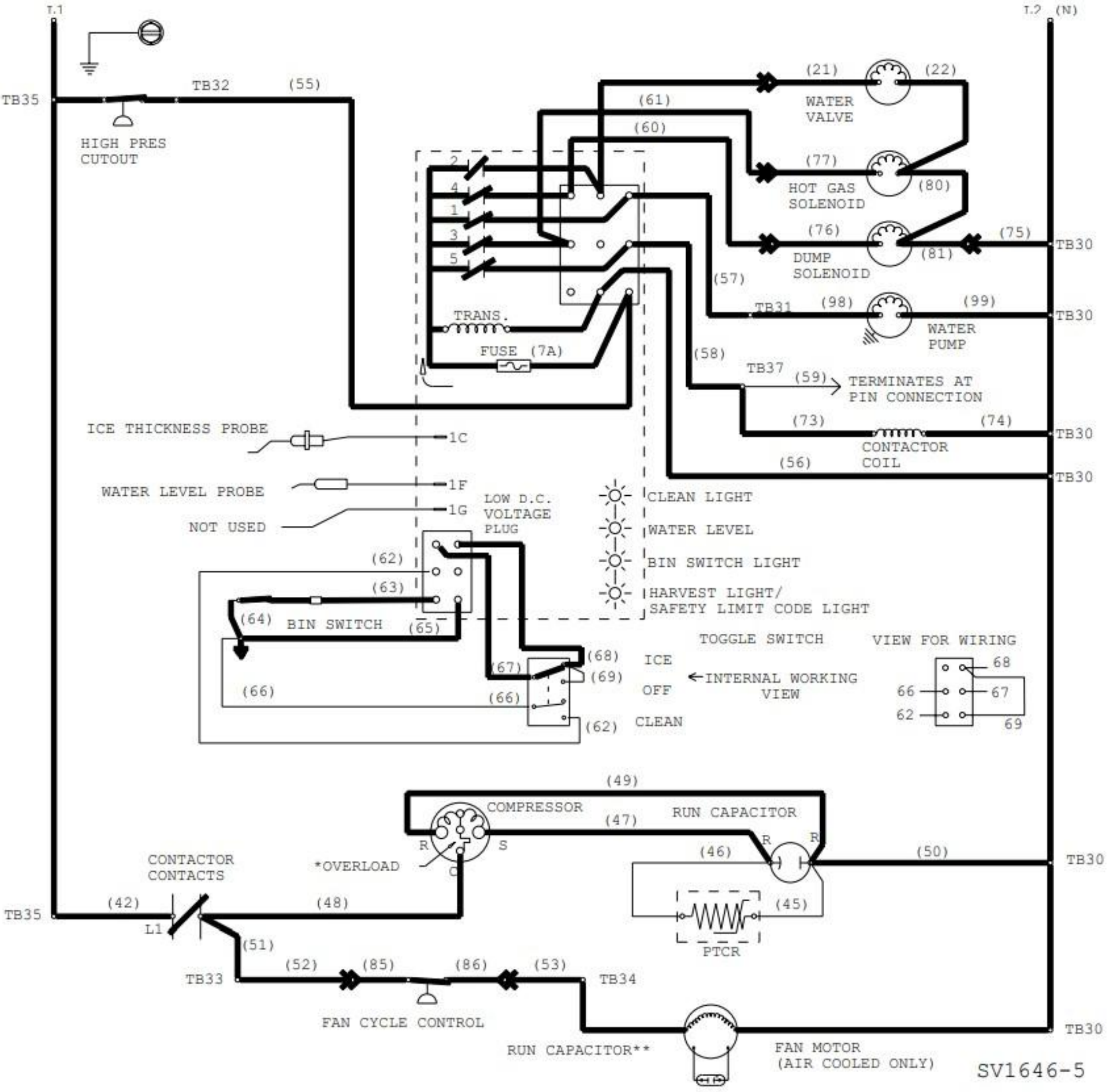
SEE SERIAL PLATE FOR VOLTAGE
L2 (N)







SEE SERIAL PLATE FOR VOLTAGE



HIGH PRES CUTOUT

ICE THICKNESS PROBE

WATER LEVEL PROBE

NOT USED

LOW D.C. VOLTAGE PLUG

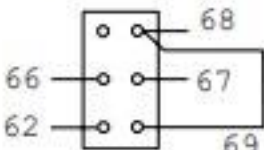
BIN SWITCH

- (61) CLEAN LIGHT
- (62) WATER LEVEL
- (63) BIN SWITCH LIGHT
- (64) HARVEST LIGHT/SAFETY LIMIT CODE LIGHT

TOGGLE SWITCH
 ICE
 OFF
 CLEAN

← INTERNAL WORKING VIEW

VIEW FOR WIRING



CONTACTOR CONTACTS

*OVERLOAD

COMPRESSOR

RUN CAPACITOR

PTCR

FAN CYCLE CONTROL

RUN CAPACITOR**

FAN MOTOR (AIR COOLED ONLY)

SV1646-5

