



## **Model 136 & 138 Portion Control Tower**

**136FDAX**

**136EDA**

**136EDAX**

**136LDA**

**136LDAX**

**136FDP**

**136FDPX**

**136PDP**

**138FDAX**

**138EDA**

**138EDAX**

**138EDA2**

**138LDA**

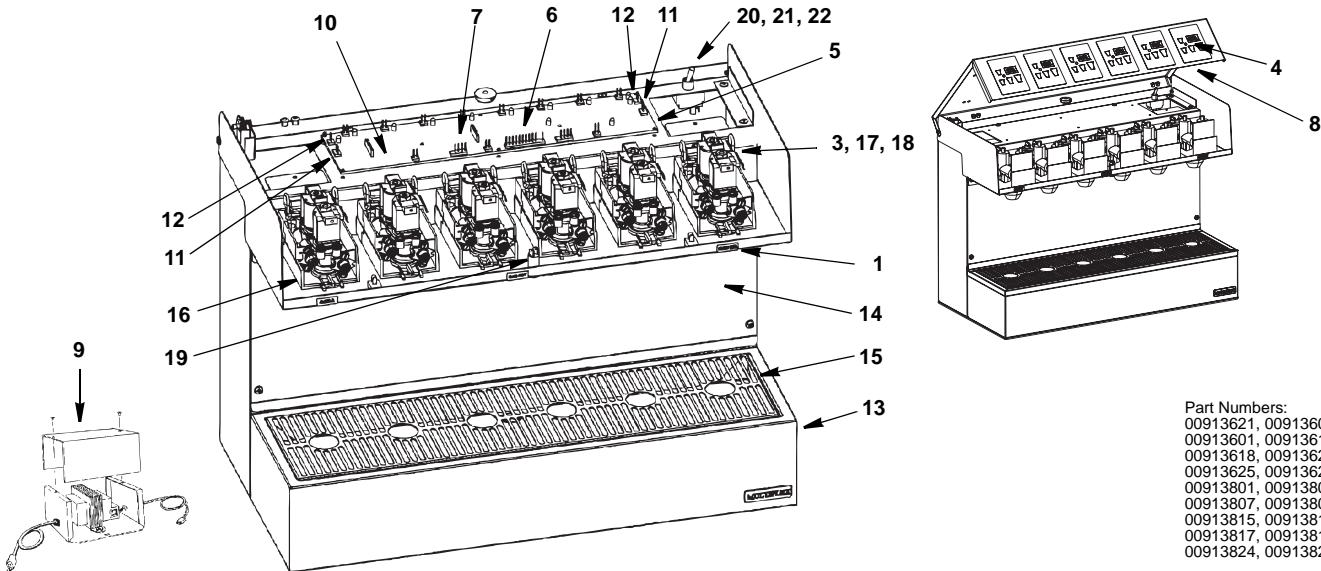
**138LDAX**

**138FDP**

**138FDPX**

**138PDP**

# 136 & 138 PORTION CONTROL TOWER BASE PARTS

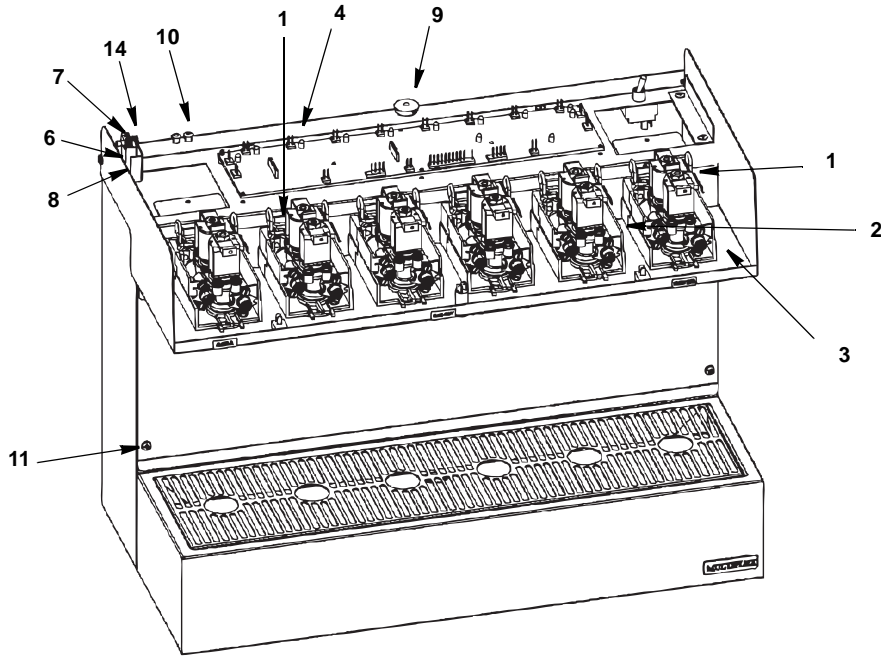


Part Numbers:  
 00913621, 00913600  
 00913601, 00913616  
 00913618, 00913624  
 00913625, 00913621  
 00913801, 00913802  
 00913807, 00913800  
 00913815, 00913816  
 00913817, 00913818  
 00913824, 00913825

## DESCRIPTION

	<b>PART NO.</b>
1 Switch - Single Pole Single Throw Momentary Rocker .....	00206459
2 <b>Cup Lid Holder</b>	
a. Kit, Wave Style (not shown) .....	00218755
b. Assembly, Position, Adjustable (not shown) .....	00210908
3 <b>Solenoid Harness</b>	
a. MPC848 to Flomatic Valve, Model FDA/FDAX Towers only .....	00218944
b. Leopard & Lancer Volumetric Valves, Power to Valves .....	00258090
4 <b>Keypads</b>	
a. 6 Valve 4-Size General Line .....	00213302
b. 8 Valve 4-Size General Line .....	00216190
c. Leopard Valve 4 Size portion control .....	020004114
d. Lancer Volumetric 4-Size .....	020003786
5 Standoff, 1/2" High Snap-In 0.156" Hole .....	00213441
6 Harness, Model MPC64A Keyboard, 12-Pin, General Line, 20" .....	00213866
7 Harness, Model MPC64A Keyboard, 5-Pin, General line, 20" .....	00213867
8 <b>Harness Keypad Extension</b>	
a. Leopard Valve .....	020002743
b. Lancer Volumetric Valve .....	00219728
9 <b>Transformer Assembly</b>	
a. Single 120/24 VAC, 60 Hz, 75 VA, Reset 24FC .....	00214128
b. Single 220/24 VAC, 50/60 Hz, 75 VA, with Reset .....	CE217314
c. Dual 240/24 50/60 HZ 75VA W/Circuit Breaker .....	CE214165
10 <b>Control Board</b>	
a. MPC84C 8-12 Station 5-Size .....	020000313
b. 622 4-Flavors Or 4-Stations "Piggy Back" .....	020000314
11 Harness, Power, Model MPC84B on 6+2+2 Tower .....	00218465
12 Harness, Water/Soda Switch to 2-Pin Connect Point .....	00218466
13 <b>Drain Pan Assembly</b>	
a. 1 1/2" x 24" Modular (Model CDA/CDAX Towers only) .....	00218646
b. 3" x 24" Modular (Model FDA/FDAX and LDA/LDAX Towers only) .....	00218645
c. 4 1/2" x 24" Modular (Model EDA/EDAX and EDA2 Towers only) .....	00218647
14 <b>Splash Panel</b>	
a. Splash Plate, Model 138 with 3" Drain Pan, Model FDA/FDAX/PDP/PDPX Towers only .....	00219019
b. Panel, Access/Splash for 1 1/2" Tall Drain (Model CDA/CDAX Towers only) .....	00218420
c. Panel, Access/Splash for 3" Tall Drain (Model LDA/LDAX Towers only) .....	00218661
d. Panel, Access/Splash for 4 1/2" Tall Drain (Model EDA/EDAX and EDA2 Towers only) .....	00218660
15 <b>Cup Support</b>	
a. 6 Station Punched .....	00218946
b. 8 Station Punched -14" x 6" x 1", .....	00218438
16 <b>Valve Assemblies</b>	
a. Dole FFV 3.0 oz/sec .....	00557500
b. Flomatic 424 with Single Solenoid .....	00218938
c. Lancer without Cover without Soda Lever .....	00211779
d. Cornelius Leopard Volumetric .....	020002399
e. Lancer Lever 4.5 oz/sec .....	00218051
f. UF-1 4_5 oz/sec (Model CDA/CDAX Towers only) .....	00217339
g. Dual Flavor (Model EDA2 Towers only) Auxiliary Syrup Valve .....	00217602
h. Lancer Volumetric Valve .....	00219595
17 Line Assembly, 1/4"xEVA x 3/8" o-ring EI x Raw x 32" .....	00749903
18 Line Assembly, 1/4" EVA x 3/8" o-ring x Raw End x 16" .....	00749906
19 Lamp Assembly, Low CO2 Indicator, 24 VAC .....	00800810
20 Connector, Wire, P72 Blue Barrel Type .....	00804104
21 Switch, Double Pole Single Throw Toggle, 6 Amp, 125 VAC .....	00804426
22 Cord Assembly, 18-2 SP-1, 24" Pin Plug x 1/4" QC and Strip .....	00809132

# 136 & 138 PORTION CONTROL TOWER BASE PARTS



Part Numbers:  
 00913621, 00913600  
 00913601, 00913616  
 00913618, 00913624  
 00913625, 00913621  
 00913801, 00913802  
 00913807, 00913800  
 00913815, 00913816  
 00913817, 00913818  
 00913824, 00913825

**DESCRIPTION**

	<b>PART NO.</b>
1 Dual Solenoid Valve Assemblies	
a. Flomatic 424 with Dual Solenoid .....	00218939
b. Lancer LEV with Dual Solenoid Fast Flow .....	00214300
2 Block Assembly	
3 Flomatic *QD* Mounting) .....	00218077
4 Control to Solenoid .....	00213145
<b>Miscellaneous - Brackets, Screw, etc.</b>	
5 CORD ASSY 18-2 SP-1 24 (not shown) .....	00809132
6 Bracket, Stop lid Holder .....	00218744
7 Bracket, Stop Pivot .....	00218745
8 Bracket, Stop lid Holder Valve Adjust .....	00218753
9 Plug, Button 0.875" Diameter Hole, Black Nylon #2703 .....	00805805
10 Plug, Button for 1/4" Diameter Hole, Black Nylon .....	00805817
11 Screw, #10-32 x 1/4" Phillips Pan Head, Stainless Steel .....	00850622
12 Screw, #10-32 x 1/4" Sltd Round Head Machine) Stainless Steel .....	00850666
13 Nut, #6-32 Hex with Lock Washer Plated (not shown) .....	00850701
14 Screw, #10-32 x 1/2" Knurled Thumb, Nickel .....	00856706