



Model 1510 Pass-Thru Dispensing Tower Parts

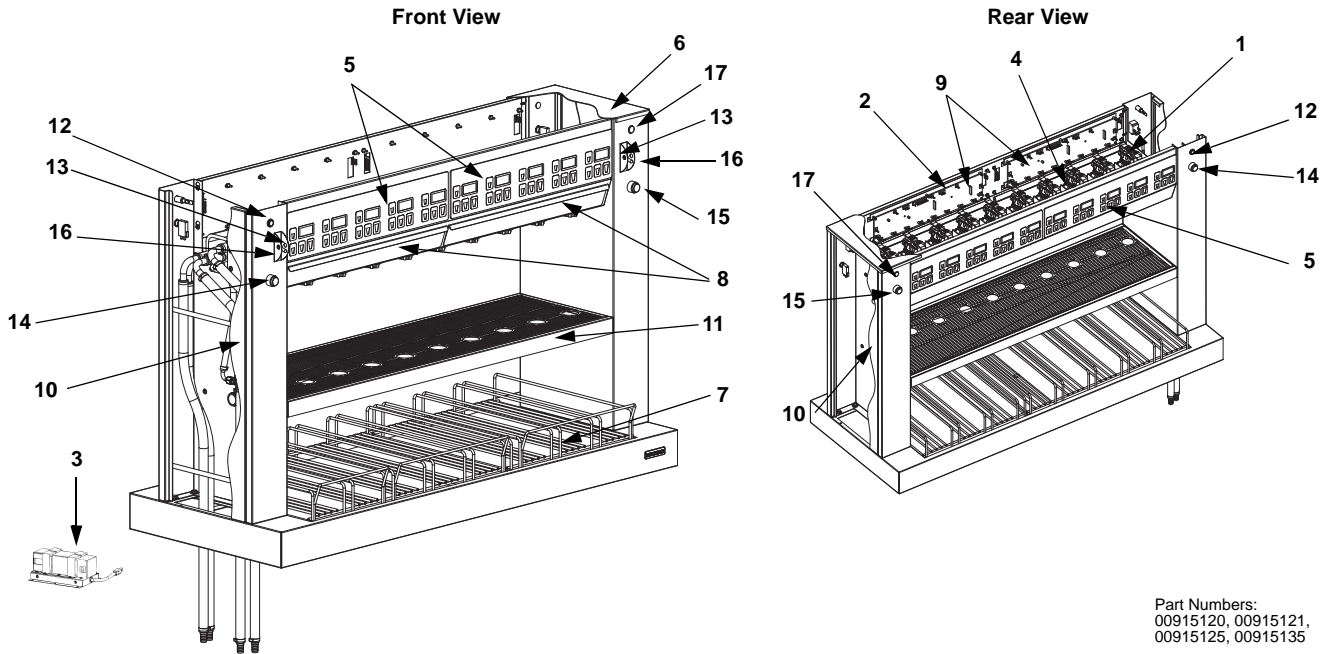
1510LDLH

1510EDLH

1510LDLHX

1510PDPLH

1510 PASS-THRU TOWER



Part Numbers:
00915120, 00915121,
00915125, 00915135

DESCRIPTION

	PART NO.
1 Valve Assembly	
a. Lancer without Cover without Soda Lever, Electric	00211779
b. Lancer LEV with Dual Solenoid FF	00214300
c. FFV (used on P.N. 00915828 and P.N. 00915826)	00557500
d. Cornelius Leopard Valve Volumetric	020002399
2 Standoff, 1/2" High Snap-In, 0.156 Hole	00213441
3 Transformer Assembly	
a. Dual, 120 VAC/24 VAC, 60 Hz, 2/75 VA with Crktb	00214014
b. Dual, 220 VAC/24 VAC, 50/60 Hz, 2/75 VA with Crktb, international	CE214165
4 Harness	
a. Extension 8" Leopard Valve Keypad	020002743
b. Connector PCB 2 into 1 Leopard Valve	020002760
5 Keyboard	
a. Keyboard, 5 Station, 4-Size General Line	00213842
b. Leopard Valve 4 Size Portion Control	020003446
6 Cover, Top Panel 10 Valve Pass-Thru	00216843
7 Rack Assembly, 44 oz Cup, 10 Valve Pass-Thru AMC	00217152
8 Door Assembly, Valve Access 1510 Pass-Thru Tower	00218505
9 MPC84C 8-12 Station 5-Size	020000313
10 Panel, Access, Pass-Thru Tower	
a. Tower 2000 Left/Right	00218506
b. Tower 2000 8" Cup Clearance Left/Right	00218849
11 Cup Support, 1510 Pass-Thru Tower	00218517
12 Lamp Assembly, Low C02 Indicator, 24VAC	00800810
13 Switch, Dual Pole Single Throw Toggle, 6 Amp, 125 VAC	00804426
14 Switch, Single Pole Single Throw Toggle, Mom, White Button Water	00804430
15 Switch, Single Pole Single Throw Toggle, Mom, Black Button Soda	00804431
16 Guard, Switch	00804434
Miscellaneous - Brackets, Screw, etc.	
17 Plug, Snap 1/2" Diameter, Stainless Steel	00805811
18 Cord Assembly, 18-2 SP-1, 6" Fem Plug x Male Plug	00212282
19 Harness, Control to Solenoid	00213145
20 Harness, MPC64A, Dual Keyboard, 5-Pin, General Line	00214005
21 Harness, Power McQuad Front Touch	00214001
22 Harness, MPC64A, 5 Station Dual Keyboard, 12-pin	00214004
23 Harness, Water/Soda Switch to 2-Pin Contpt	00218783
24 Cord Assembly, 20-2 Parallel Cable 44 in- 1/16" x Str.	00809507
25 Harness, Control to Solenoids (dual solenoids without water switch)	00213146
26 Label, Volumetric Valve Wiring Diagram Model 1510 (not shown)	020003063
27 Label, Calibration Instructions, MPC84C (not shown)	00218510
28 Label, Wiring Diagram, Model 1510 Tower (not shown)	00218784