



## **Model 156 Pass-Thru Dispensing Tower Parts**

**156EDRA1**

**156EDL**

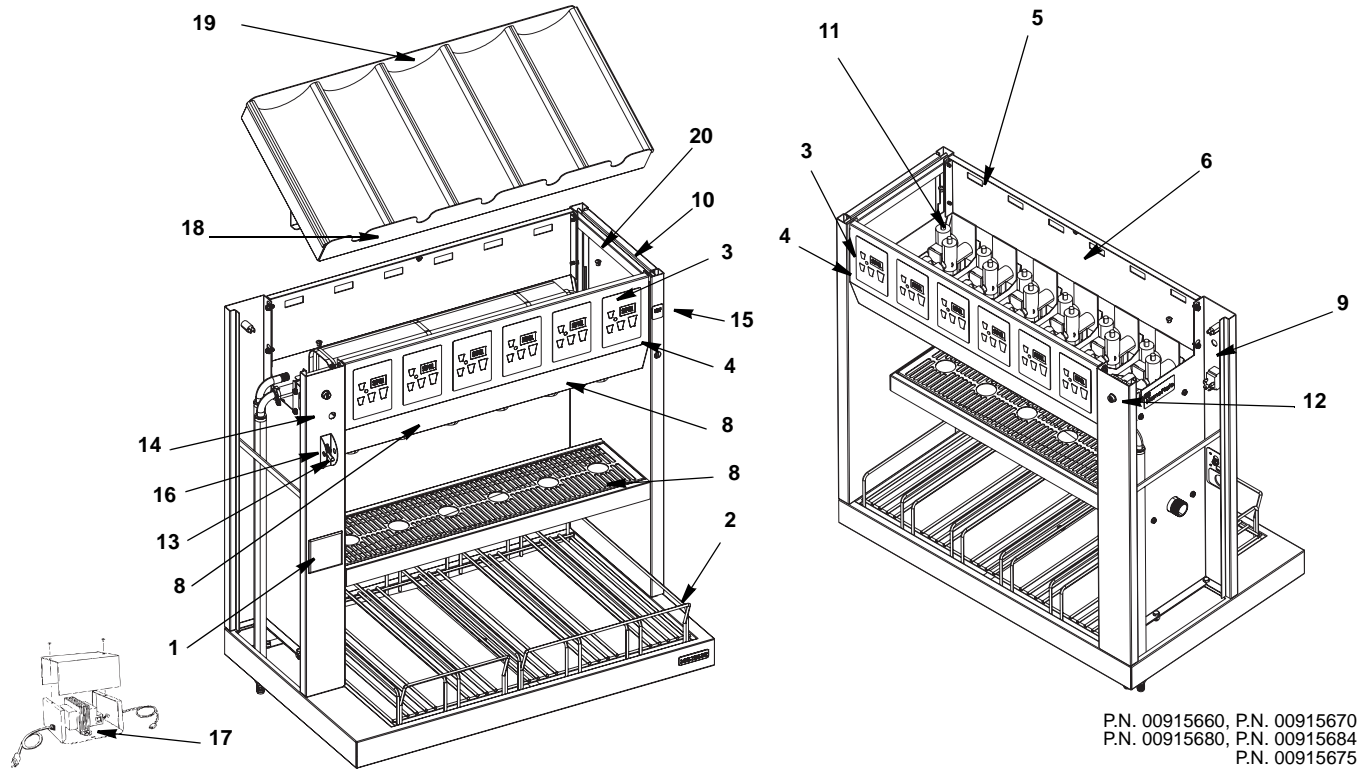
**156FDLAX**

**156PDP**

**156PDPX**

**156FDAX**

# 156 PASS-THRU TOWER



P.N. 00915660, P.N. 00915670,  
P.N. 00915680, P.N. 00915684,  
P.N. 00915675,

## DESCRIPTION

	<b>PART NO.</b>
1 Plate, Valve Hole Cover for FFV 10J Valve Cup Lid Holder .....	00206652
2 Rack Assembly, 32 oz cup, Lower Pass-Thru Tower .....	00209689
<b>3 Keypad</b>	
a. 6 Valve 4-Size .....	00213299
b. Leopard Valve 4 size portion control .....	020003446
<b>4 Harness</b>	
a. Extension 8" Leopard vlv keypad .....	020002743
b. Connector PCB 2 into 1 Leopard Valve .....	020002760
5 Standoff, 3/16" High Snap-In 0.156" Hole .....	00216424
6 Control Board, Model MPC84C 8-12 Station 5-Size .....	020000313
7 Cup Support, Model 156 Pass-Thru Tower .....	00218737
8 Door Assembly, Valve Access for Model 156 Pass-Thru Tower .....	00218865
9 Panel, Side Service Access for Model 156 Pass-Thru Tower .....	00218891
10 Cover, Top Access for Model 156 Pass-Thru Tower .....	00218892
<b>11 Valve Assemblies</b>	
a. Dole FFV 3.0 oz/sec .....	00557500
b. Valve Cornelius Leopard Volumetric .....	020002399
c. Flomatic 424 Portion Control Valve .....	424-CF-P37-1500
d. Flomatic 464 Portion Control Valve .....	464-GP-P36
12 Lamp Assembly, Low CO2 Indicator, 24 VAC .....	00800810
13 Switch, Double Pole Single Throw Toggle, 6 Amp, 125 VAC .....	00804426
14 Switch, Single Pole Single Throw, MOM, White Button, Water .....	00804430
15 Switch, Single Pole Single Throw, MOM, Black Button, Soda .....	00804431
16 Guard, Switch .....	00804434
<b>17 Transformer Assembly</b>	
a. 120/24 VAC, 60 Hz, 75 VA, Reset 24FC .....	00214128
b. 220/24 VAC, 50/60 Hz, 75 VA, with Reset .....	CE217314
18 Pan, Cup Lid Tray Holder, Stainless Steel .....	00212759
19 Tray, Plastic 5 Section Lid Holder .....	00213992
<b>Miscellaneous - Brackets, Screw, etc.</b>	
20 Plug, Button for 1/4" Diameter Hole Black Nylon .....	00805817
21 Cord Assembly, 18-2, SP-1, 6" Female Plug x Male Plug .....	00212282
22 Harness, Control to Solenoid .....	00213145
23 Harness, Control to Solenoids .....	00213146
24 Cord Assembly, 18 AWG, SP-1, 48" Large Conn x Female x 1/2" Strip .....	00213401
25 Harness, Model MPC64A Dual Keyboard, 12 Pin .....	00213460
26 Harness, Model MPC64A Dual Keyboard, 5 Pin .....	00213461
27 Harness, Model MPC64A Power .....	00213837
28 Harness Power to Valves (Model 156PDP/PDPX) .....	00258090
29 Harness, Water/Soda Switch to 2 Pin Connection Point .....	00213145
30 Cord Assembly, 2.0-.2 Parallel Cable, 44 in-1" Recp x Str .....	00809507
31 Label, Calibration Instructions for Model MPC84B Keyboard (not shown) .....	00218510
32 Kit, Flavor Label, .0..68" x 2.5.0.", Coke Products (not shown) .....	00214816
33 Label, Wiring Diagram for Model 156 Non-electronic Valves (not shown) .....	00219178
34 Splash Guard for Flomatic valve 156 Tower .....	020003000
35 Label, Wiring Diagram for model 156 Leopard Valves .....	020002745