



Model 158 Pass-Thru Dispensing Tower Parts

158LDLH

158PDPH

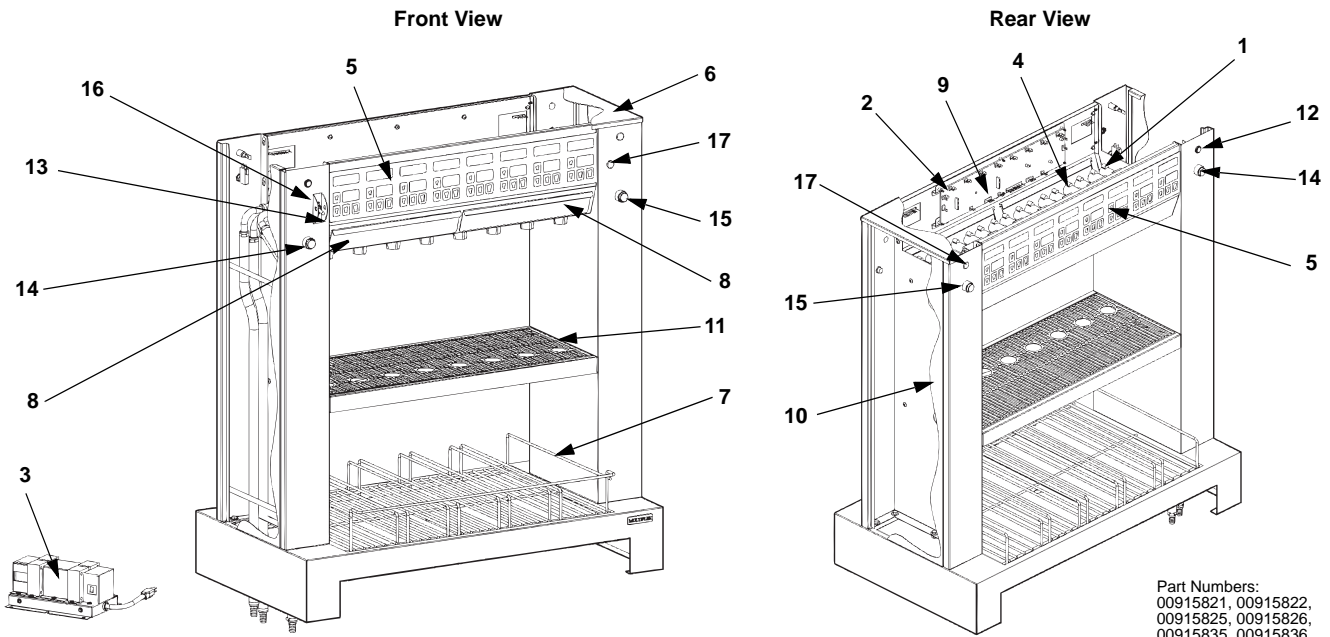
158LDLHX

158PDPHX

158EDLH

158EDLHX

158 PASS-THRU TOWER



Part Numbers:
 00915821, 00915822,
 00915825, 00915826,
 00915835, 00915836

DESCRIPTION

1	Valve Assembly	PART NO.
a.	Lancer without Cover without Soda Lever, Electric	00211779
b.	Lancer LEV with Dual Solenoid FF	00214300
c.	FFV (used on P.N. 00915828 and P.N. 00915826)	00557500
d.	Cornelius Leopard Valve Volumetric	020002399
2	Standoff, 11z" High Snap-In, 0.156 Hole	00213441
3	Transformer Assembly	
a.	Single 120/24 VAC, 60 Hz, 75 VA, Reset 24FC	00214128
b.	Single 220/24 VAC, 50/60 Hz, 75 VA, with Reset	CE217314
c.	Dual 240/24 SO/60 HZ 75VA W/Circuit Breaker	CE214165
4	Harness	
a.	Extension 8" Leopard Valve Keypad	020002743
b.	Connector PCB 2 into 1 Leopard Valve	020002760
5	Keyboard	
a.	8 Station, 4-Size, General Line	00216190
b.	Leopard Valve 4 Size Portion Control	020002725
6	Cover, Top 8 Valve Pass-Thru	00216311
7	Cup Support, Staging 8 Valve Pass-Thru Tower	00216669
8	Door Assembly, Valve Access 158 Pass-Thru Tower	00218330
9	Control Board	
a.	MPC84C 8-12 Station 5-Size	020000313
b.	622 4-Flavors Or 4-Stations "Piggy Back"	020000314
10	Panel, Access, Pass-Thru Tower	00218506
11	Cup Support, 158 Pass-Thru Tower with maximum clearance	00218509
12	Lamp Assembly, Low C02 Indicator, 24VAC	00800810
13	Switch, Dual Pole Single Throw Toggle, 6 Amp, 125 VAC	00804426
14	Switch, Single Pole Single Throw Toggle, Mom, White Button Water	00804430
15	Switch, Single Pole Single Throw Toggle, Mom, Black Button Soda	00804431
16	Guard, Switch	00804434
Miscellaneous - Brackets, Screw, etc.		
17	Plug, Snap 1/2" Diameter, Stainless Steel	00805811
18	Cord Assembly, 18-2 SP-1, 6" Fem Plug x Male Plug	00212282
19	Harness, Control to Solenoid	00213145
20	Cord Assembly, 18 AWG , SP-1 , 48" Lg conn x Fem x 1/1" Strp	00213401
21	Harness, MPC64A Dual Keyboard , 5 Pin	00213461
22	Harness, Power McQuad Front Touch	00214001
23	Harness, MPC84A Dual Keyboard , 12-Pin	00216859
24	Harness, Water/Soda Switch to 2-Pin Contpt.	00218783
25	Cord Assembly, 20-2 Parallel Cable 44 in- 1/ 16" x Str	00809507
26	Harness, Control to Solenoids (dual solenoids without water switch)	00213146
27	Splash Guard for Flomatic Valve Model 158	020002893
28	Label, Wiring Diagram Model 158 (not shown)	020003064
29	Label, Calibration Instructions, MPC84B (not shown)	00218510
30	Label, Wiring Diagram, Model 158 Pass-Thru Tower Non-electric Valves (not shown)	00218794