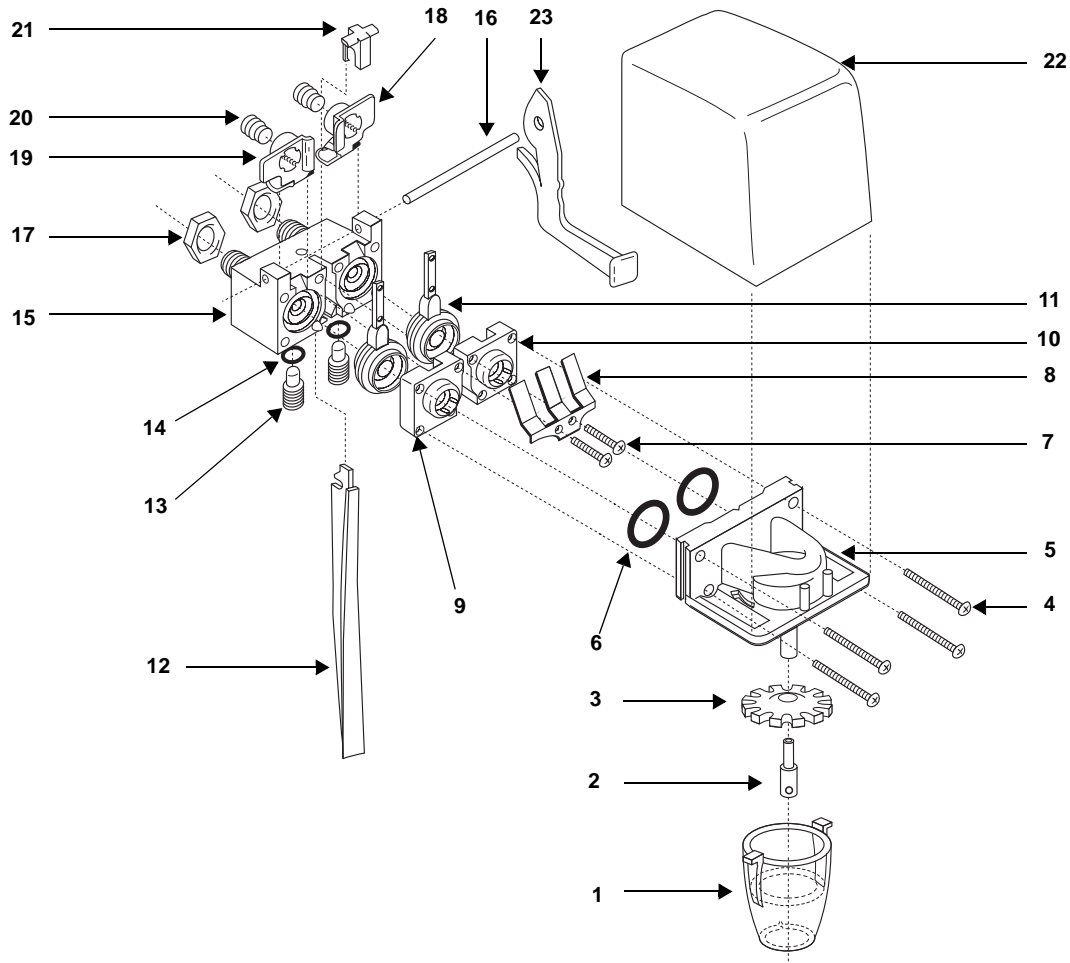


FLOMATIC®

Parts Manual

202 Post-Mix Valve



DESCRIPTION	PART NO.	DESCRIPTION	PART NO.	DESCRIPTION	PART NO.
1 Nozzle clear	501-14	9 Orifice cap - left	512-01	17 Pal nut	525
2 Syrup diffuser	502-02	10 Orifice cap - right	512-01	18 Actuator - right	521-01
3 Diffuser element	504-00	11 Pallet	515	19 Actuator - left	522-01
4 Screw 4-40x1 SS	505	12 Plastic Lever Black	516-07	20 Actuator screw	523
5 Diffuser block	507-10	13 Screw - Brix adj	518-00	21 Manual retainer cap	517-00
6 O-ring (112)	509	14 O-ring	519	22 Cover	1101
7 Screw 4-40x5/8 SS	510	15 Flow control base	520-01	23 Add-a-Lever	1026
8 Spring pallet retainer	511	16 Pivot Pin	524		