

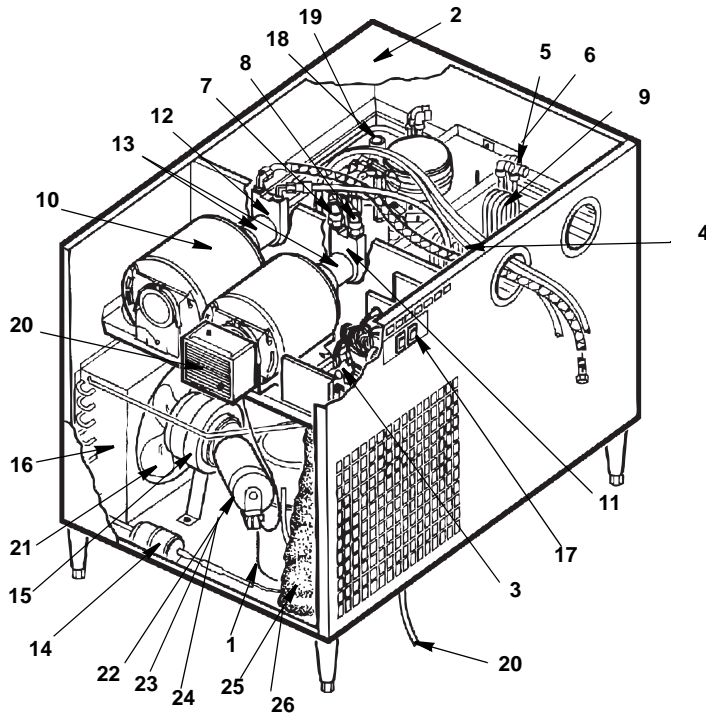


## **Model 2803 Series Soda Post-Mix Refrigeration Unit Parts List for Models**

**2803MA04**

**2803MAX04**

## MODEL 2803 BASE PARTS LIST

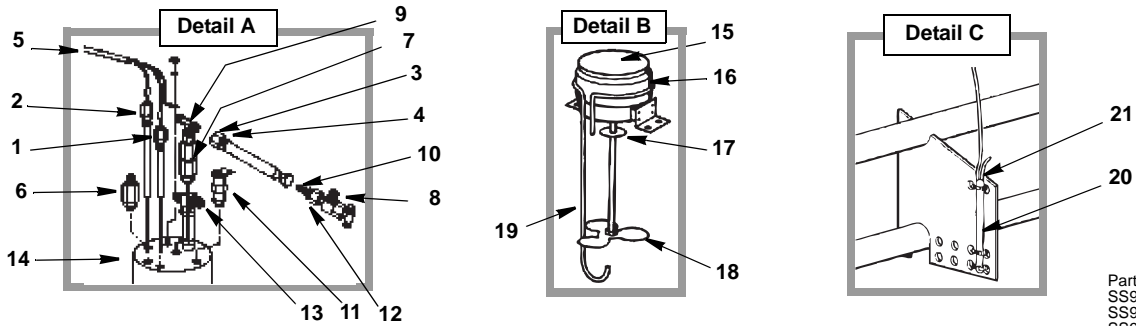


Part Numbers:  
 SS902850-161  
 SS902832-251  
 SS902854-261

### DESCRIPTION

	<b>PART NO.</b>
<b>1 Compressor</b>	
a. 1/3 hp , 120 VAC , 1 Phase , 60 Hz , R-404A , Domestic . . . . .	8251793
b. 1/3 hp , 220 VAC , 1 Phase , 50 Hz , R-404A , International . . . . .	00215881
<b>2 Cover . . . . .</b>	<b>00217786</b>
<b>3 Liquid Level Control</b>	
a. 1/3 hp , 120 VAC , NCC , Domestic . . . . .	00206182
b. 1/3 hp , 220 VAC , NCC , International . . . . .	00206695
<b>4 Adaptor, 3/8" OD Tube x 5/16" Tube, S-Seal . . . . .</b>	<b>00208796</b>
<b>5 Elbow, 3/8" Tube x 5/16" Tube, S-Seal . . . . .</b>	<b>00208800</b>
<b>6 Cover, 3/8" OD Tube Collet, Plastic . . . . .</b>	<b>00208803</b>
<b>7 Elbow, 1/2" OD x 1/2 OD Tube, John Guest . . . . .</b>	<b>00210048</b>
<b>8 Adaptor, 3/8" Barb x 1/2 OD Stem . . . . .</b>	<b>00217015</b>
<b>9 Coil, Syrup , 5/16" OD x 6.69 ft. . . . .</b>	<b>00210753</b>
<b>10 Motor, Carbonator 113 hp , 110-120/200-240 VAC , 50/60 Hz . . . . .</b>	<b>00213596</b>
<b>11 Pump, 50 GPH (189 LPH) , without Relief, Stainless Steel . . . . .</b>	<b>00702906</b>
<b>12 Pump, 100 GPH (379 LPH) , with 250 psi (17 .2 bar) Relief, Brass . . . . .</b>	<b>00702911</b>
<b>13 Clamp Assembly, Coupling . . . . .</b>	<b>00705000</b>
<b>14 Drier, 1 7/8" Diameter x 3 3/4" X 1/4" Outlets . . . . .</b>	<b>00216755</b>
<b>15 Motor, Fan</b>	
a. 120 VAC , 60 Hz , 9 Watts, Domestic . . . . .	8251893
b. 230 VAC , 50/60 Hz , 9 Watts, International . . . . .	00216102
<b>16 Condenser, 1/3 hp . . . . .</b>	<b>00755489</b>
<b>17 Switch, Single Pole Single Throw, 16 Amp, 3/4 hp, Rocker . . . . .</b>	<b>00804437</b>
<b>18 O-ring, 3/8" ID x 3/4" OD, Ntrl. . . . .</b>	<b>00850127</b>
<b>19 Stand Pipe . . . . .</b>	<b>00208588</b>
<b>20 Drain Hose . . . . .</b>	<b>RM931423</b>
<b>21 Blade, Condenser Fan . . . . .</b>	<b>00725226</b>
<b>22 Compressor Start Relay</b>	
a. Domestic . . . . .	020003406
b. International. . . . .	00215967
<b>23 Compressor Start Capacitor,</b>	
a. Domestic . . . . .	020003408
b. International. . . . .	00215969
<b>24 Compressor Overload Protector</b>	
a. Domestic . . . . .	020003407
b. International. . . . .	00215971
<b>25 Heat Exchanger . . . . .</b>	<b>00215822</b>
<b>26 Accumulator, Vertical . . . . .</b>	<b>00208594</b>

# MODEL 2803 CARBONATOR, AGITATOR, & ICE BANK CONTROL



Part Numbers:  
 SS902850-161  
 SS902832-251  
 SS902854-261

## DESCRIPTION

### Detail A (Carbonator Tank)

	<b>PART NO.</b>
1 Electrode Assembly, 5.9 Carbonator, Red . . . . .	Y0208029
2 Electrode Assembly, 8.9 Carbonator, Black . . . . .	Y0212105
3 Nut, 1/4 Swivel . . . . .	00855000
4 Barb Stem, 1/4" x 1/4" Swivel . . . . .	00854900
5 Cord Assembly, 44", LLC-Carbonator Tank, Push "on" . . . . .	00208578
6 Valve, Single Check, 1/8 NPT, Stainless Steel . . . . .	00701312
7 Valve, Double Check, 1/8" NPT, 0.090 Orifice . . . . .	00701313
8 Valve, Manual Water Feeder . . . . .	00670024
9 Tee, 1/4" MF x 1/4" MF x 1/4" FEM Swivel . . . . .	00858477
10 Adapter, 1/4" Barb x 1/4" MF, Stainless Steel . . . . .	00861600
11 Valve, Toggle Relief, 150 lb, 1/8" MPT, Stainless Steel, Yellow . . . . .	00701334
12 Washer, Tapered, 1/4" Flare, Nylon . . . . .	00852900
13 Tee, 3/8" x 3/8" x 3/8" Barb, Stainless Steel . . . . .	00861502
14 Tank Assembly, Carbonator . . . . .	3002023

### Detail B (Agitator Motor)

<b>15 Complete Assembly</b>	
a. Motor Agitator w/Blade 120V - Domestic . . . . .	00214204
b. Motor Agitator w/Blade 220 VAC, 50/60 Hz - International . . . . .	PH214933
<b>16 Agitator Motor</b>	
a. 15 Watts, 120 VAC, 60 Hz, 24" Lead, Domestic . . . . .	00754331
b. 15 Watts, 220 VAC, 50/60 Hz, 24" Lead, International . . . . .	00754335
17 Tab Clamp . . . . .	00859119
18 Washer, Water Slinger . . . . .	00377102
19 Blade, Agitator, 112 Pitch . . . . .	00206557
20 Heat Sink . . . . .	00200911

### Detail C (Ice Bank Control)

<b>21 Electronic Ice Bank Control</b>	
a. Retrofit Kit, 120 VAC , 50/60 Hz (Domestic units only) . . . . .	00219491
b. Retrofit Kit, 230 VAC , 50/60 Hz (International units only) . . . . .	00219492
22 Bracket, Ice Bank Control Bulb . . . . .	00216048