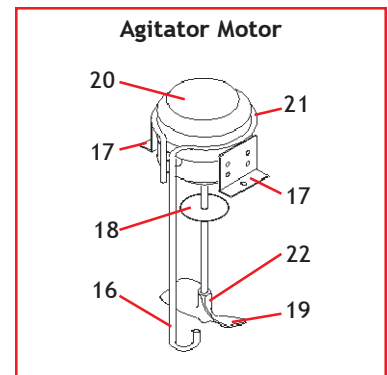
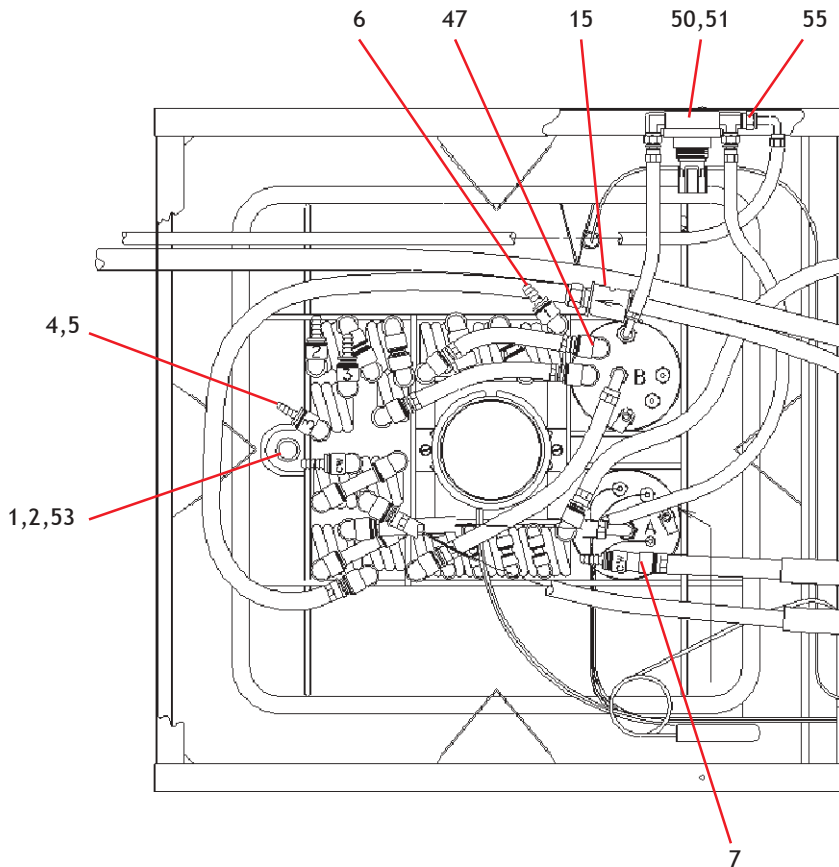
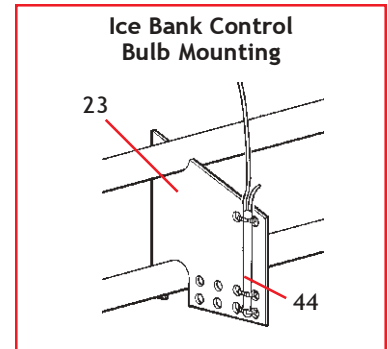
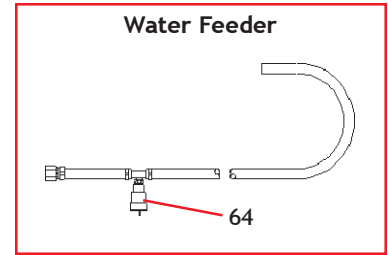
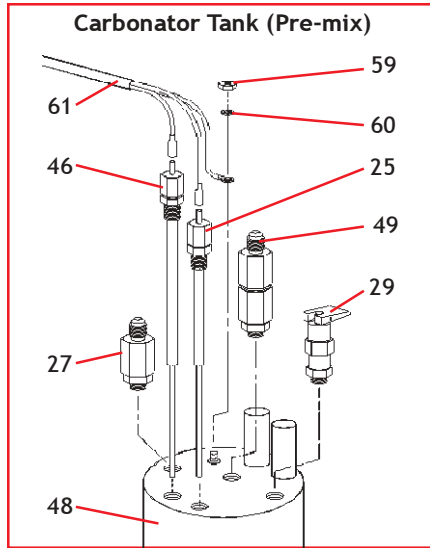
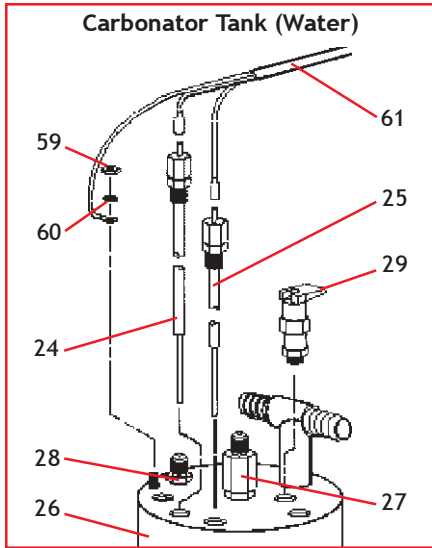


Multiplex Beverage Equipment Parts List for

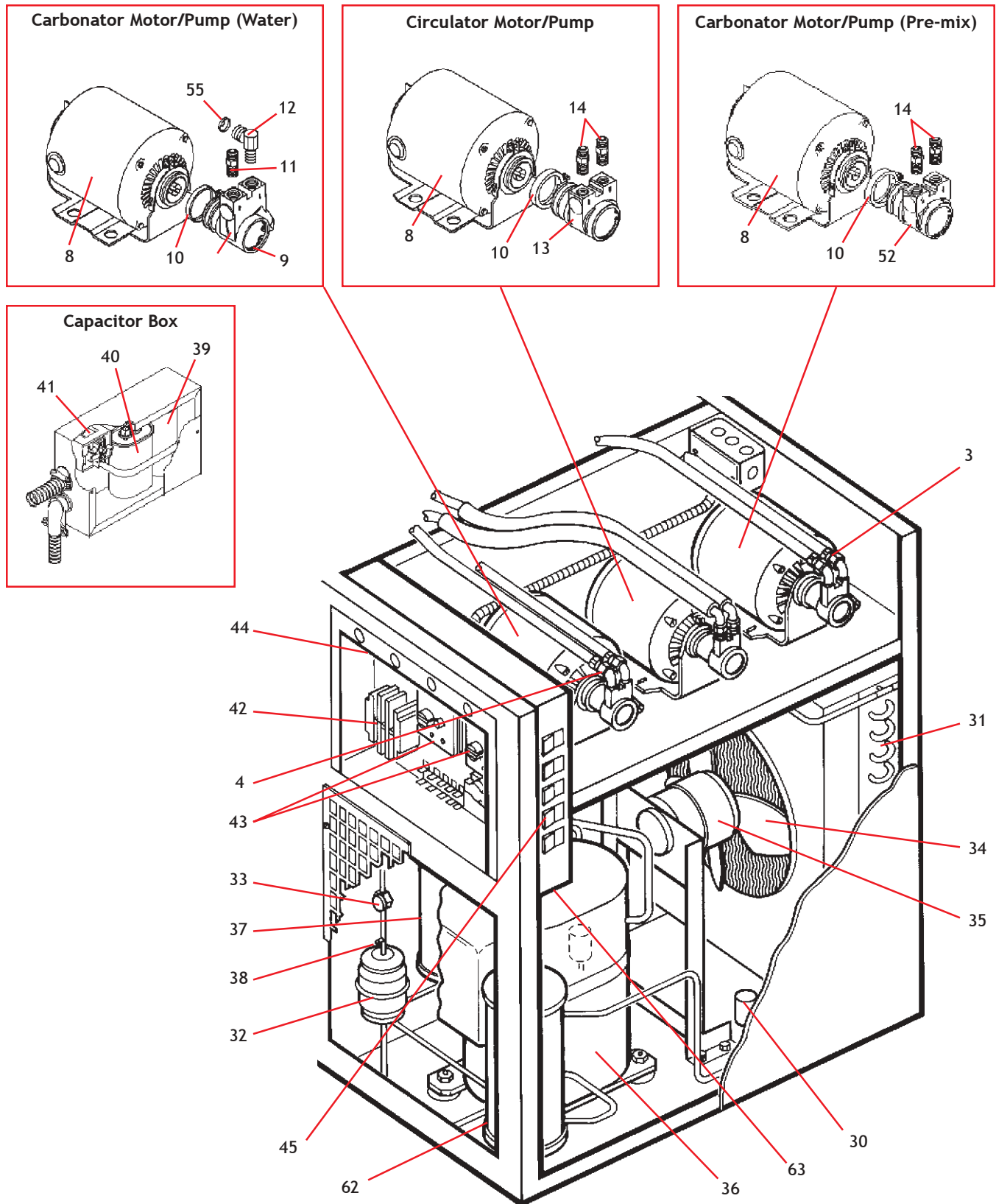
Model 38M04B Pre-mix Refrigeration Unit (R-404A)

P.N. SS903855 and P.N. SS903859



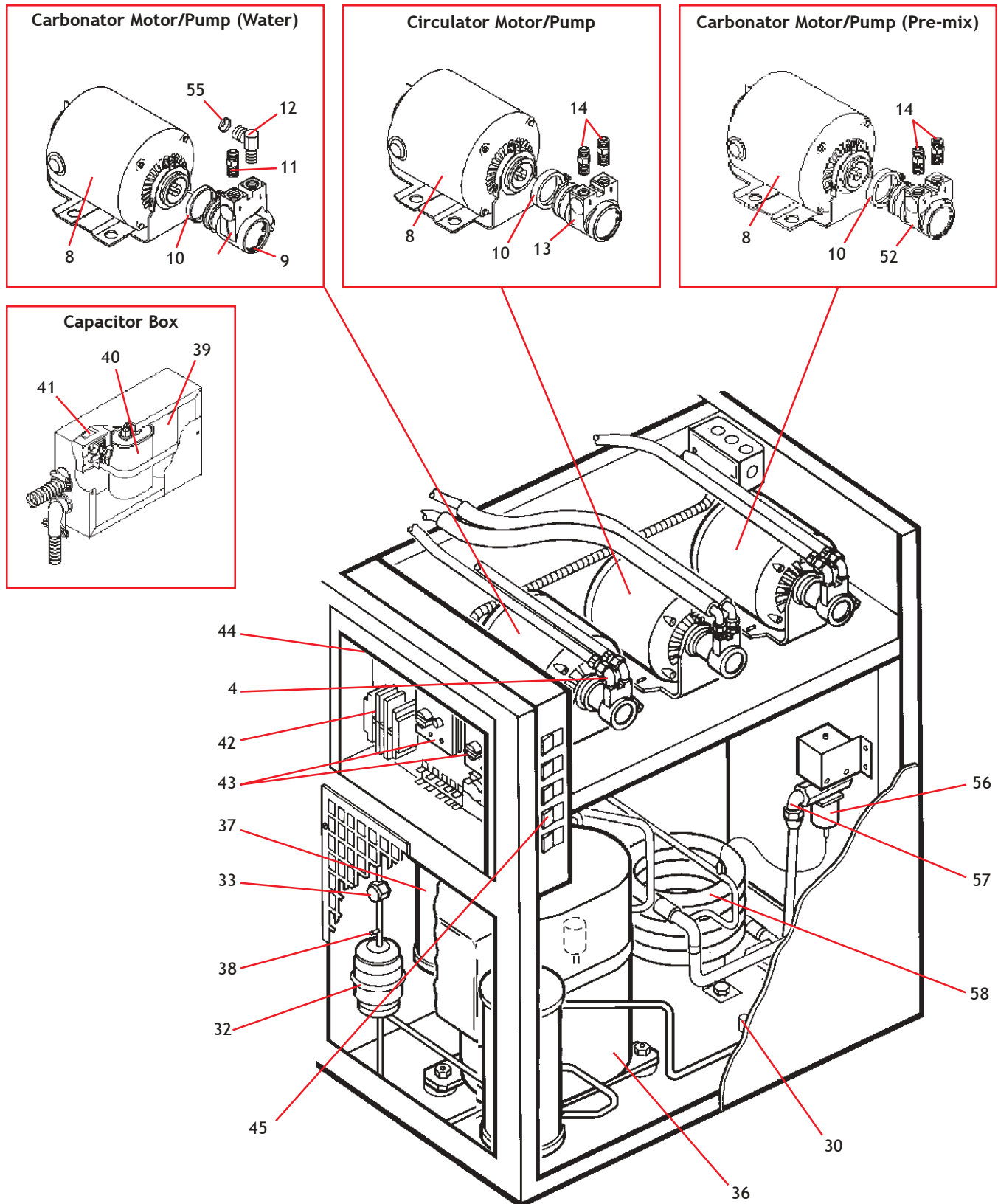
Model 38M04B Pre-mix Refrigeration Unit (R-404A) Parts List (continued)

Model 38MA04B Air Cooled Pre-mix Refrigeration Unit (R-404A) (P.N. SS903855)



Model 38M04B Pre-mix Refrigeration Unit (R-404A) Parts List (continued)

Model 38MW04B Water Cooled Pre-mix Refrigeration Unit (R-404A) (P.N. SS903855)



Model 38M04B Pre-mix Refrigeration Unit (R-404A) Parts List

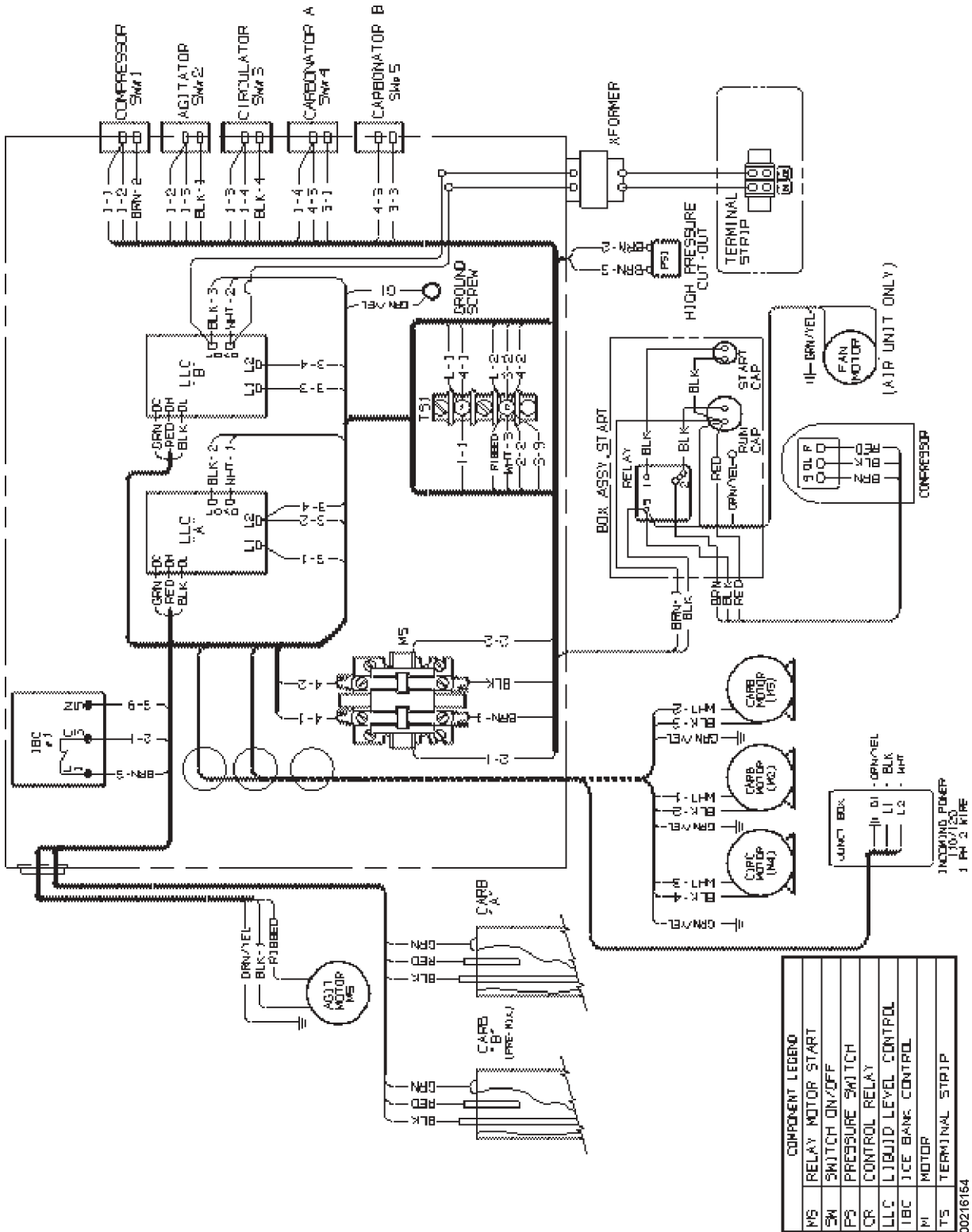
(continued)

Item	Part No.	Description	Function
1	RM931423	Drain Hose, 3/4" x 1/8" Wall	Water tank over flow to drain.
2	00205951	Stand Pipe	Drains water bath. Prevents over flow.
3	00209697	Elbow, 1/2" OD	Provides tubing connection to Pre-mix tank.
4	00209741	Elbow, 3/8" OD	Provides tubing connection to coils.
5	00209947	Adapter, 3/8" Barb x 3/8" OD Stem	Provides tubing connection to coils.
6	00210750	Adapter, 3/8" Barb x 1/2" OD Stem	Provides tubing connection to Pre-mix tank.
7	00210862	Tee, 1/2" OD x 1/2" OD x 1/2" OD	Provides tubing connection to carbonated water tank.
8	00213596	Carbonator Motor, 1/3 hp, 110-120/200-240 V	Drives circulator, carbonator, and Pre-mix pumps.
9	00702911	Pump, 100 GPH, Brass, with 250 Relief	Provides water to the carbonation water tank.
10	00705000	Clamp Assembly, Coupling	Holds pump to motors.
11	00852502	Adapter, 3/8" MF x 3/8" MPT, Brass	Provides tubing connection to carbonation pump.
12	00855902	Elbow, 3/8" MF x 3/8" MPT, Brass	Provides tubing connection to carbonation pump.
13	00702910	Pump, 100 GPH, Stainless Steel, without Relief	Circulates carbonated water through conduit.
14	00852523	Adaptor, 3/8" MF x 3/8" MPT, Stainless Steel	Provides tubing connection to circulator and Pre-mix pumps.
15	00218750	Carbonated Beverage Back-flow Preventer Valve, 3/8" MF x 3/8" MF, ASSE-1022	Prevents back-flow of carbonated water.
16	00200911	Agitator Heat-Sink, Water Cooled	Provides cooling for agitator motor.
17	00215727	Agitator Motor Bracket	Mounts agitator motor.
18	00377102	Water Slinger Washer	Provides agitator motor protection.
19	00751208	Propeller, Plastic	Agitates water bath.
20	00753715	Agitator Motor, 25 Watts, 115 VAC, 60 Hz	Drives agitator blade.
21	00859119	Tab Clamp, 3.909-4.035, Stainless Steel	Hold heat sink to agitator motor.
22	00859503	Roll Pin, 3/32" x 9/16", Stainless Steel	Holds agitator blade to shaft.
23	00215060	Ice Bulb Control Bracket	Holds ice bank bulb in place.
24	Y0212105	Electrode Assembly, 8.9 Carbonator, Black	Starts carbonator motor when water falls below electrode. Stops the Pre-mix motor.
25	Y0212106	Electrode Assembly, 6.2 Carbonator, Red	Stops carbonator motor when water reaches electrode.
26	00215616	Carbonator Tank Assembly, 4 OD x 22 1/2 L	Carbonated water tank.
27	00701312	Single Check Valve, 1/8" NPT, Stainless Steel	Prevents Pre-mix/Carbonated water from getting into CO ₂ lines.
28	00213452	Adaptor, 1/8" MPT x 1/4" Flare	Provides connection to the carbonator tank.
29	00701334	Toggle Relief Valve, 150 psi (10.3 bar), 1/8" MPT, Stainless Steel, Yellow	Relieves excess tank pressure.
30	00209758	Pressure Switch, M64, CO-400, CI350, CH	Limits refrigeration compressor (high pressure).
31	00212978	Condenser, 1.5 Ton, Air Cooled	Extracts heat from refrigerant.
32	00217288	Drier, 2.620 Diameter x 5 1/4" x 3/8" Outlet	Removes moisture and impurities from refrigerant.
33	00761906	Indicator, Liquid Moisture, 3/8" Solder	Provides visual indication of refrigerant quality.
34	00213017	Blade, Condenser Fan, 11 India	Moves air across condenser.
35	00753714	Fan Motor, 115 VAC, 60 Hz, 50 Watts	Turns fan blade.
36	00215805	Compressor, 0.75 hp, 115 V, 1 Phase, 60 Hz	Pumps refrigerant through the system.
37	00756232	Accumulator, 2.5 lb, 1/2" Inlet/Outlet	Holds liquid refrigerant and protects compressor.
38	00805703	Service Valve, C&D, #36, LP	Allows service access to refrigeration system.
39	00215941	Start Capacitor, 72-86 MFD, 350 VAC	Provides voltage to start compressor.
40	00215815	Run Capacitor, 30 MFD, 440 VAC	Maintains even voltage.
41	00215816	Starting Compressor Relay, 38M04	Switches start capacitor "off".
42	00201224	Contact, 2 Pole, 20 Amp, 240 VAC, Coil	Switches voltage to compressor.
43	00206182	Control, Liquid Level, 1/3 hp, 120 V	Controls carbonator/Pre-mix pumps.

Model 38M04B Pre-mix Refrigeration Unit (R-404A) Parts List (continued)

Item	Part No.	Description	Function
44	00219266	a. Electronic Ice Bank Control Sensor (IBC)	Sends signal to Ice Bank Control (IBC).
	00219264	b. Electronic Ice Bank Control	Controls ice bank size.
	00219491	c. Electronic Ice Bank Control Retro-fit Kit	Replaces mechanical control.
45	00804437	Switch, Rocker, Single Pole Single Throw, 16 Amp, 3/4 hp	Turns power "on/off" to unit.
46	Y0208032	Electrode Assembly, 10.8 Carbonator	Starts Pre-mix motor when product falls below electrode.
47	00210048	Elbow, 1/2" OD x 1/2" OD Tube	Provides tubing connection.
48	00215915	Tank Assembly, Carbonator, 2 Dip Tube	Pre-mix carbonator tank.
49	00215918	Valve, Single Check, Custom 3 Hole, 1/8" NPT, 0.090 Orifice	Injects the Pre-mix into tank.
50	00683058	Regulator, 0-100 psi, 1/4" NPT Gas	Controls CO ₂ pressure to Pre-mix tank.
51	00683072	Gauge, 0-100 psi, 1/4" NPT	Displays CO ₂ pressure.
52	00702933	Pump, 100 GPH, 180 psi (12.4 bar) Relief, Stainless Steel	Provides pre-prepared mixture to Pre-mix tank.
53	00850127	O-ring, 0.625 ID x 0.750 OD	Provides seal for stand pipe.
54	00852900	Washer, Tapered, 1/4" Flare, Nylon	Provides seal for tank connections.
55	00852902	Washer, Tapered, 3/8" Flare	Provides seal for pump connections.
56	00686910	Valve, Water Modulating 3/8" NPT	Controls water flow to condenser.
57	00857608	Elbow, 1/2" MF x 3/8" MPT, Brass	Inlet fitting to the water valve.
58	00211264	Condenser, 1.00 ton Coaxial	Transfers heat from the refrigerant.
59	00850812	Nut, #10-24, Stainless Steel	Connects the ground wire to the tank.
60	00856404	Washer, #10, Stainless Steel	Connects the ground wire to the tank.
61	00207882	Liquid Level Control Cord	Connects the electrodes to the Liquid Level Control.
62	00207414	Receiver, 4 lb	Stores liquid refrigerant.
63	00800623	Transformer, 120/24 VAC, SSV A	Provides voltage to wunderbar.
64	00217305	Water Bath Feeder Valve	Replenishes water level in bath.

Wiring Diagram for Model 38M04B Pre-mix Refrigeration Unit (P.N. SS903855 and P.N. SS903859)



Terms and Conditions Affecting Customer Purchase Orders, Shipments of Materials, and Ordering Parts

How to order

Authorized Distributor. A listing of these stocking distributors can be obtained by contacting Manitowoc Beverage Systems, Inc. Customer Service Center:

Western Division

1001 Hamilton Drive
Holland, Ohio 43528
Tel: 1 (800) 348-3864
Fax: (866) 210-5934 or (419) 861-0808
Hours: 8:00am - 8:00pm EST

Eastern Division

5075 Hollins Road
Roanoke, Virginia 24019
Tel: (800) 334-4875
Fax: (800) 572-0881
Hours: 8:00am - 5:00pm EST

To ensure prompt processing of your orders, list each item separately, taking care to specify quantity, the Multiplex Part Number and Description of each item ordered. Faster service can be obtained in the future by listing your system below.

Model Number _____

Serial Number _____

Date of Installation _____

Local _____ Authorized _____
Stocking Distributor _____

Terms

Terms of NET 30 days will be extended to those customers of known and acceptable financial standing. All other orders must be accompanied by check or will be shipped C.O.D. Please send all credit information directly to our controller. Taxes imposed by any present or future federal, state, or local laws, if paid by us, will be charged to purchaser. Sales or use taxes shall be in addition to prices quoted unless an appropriate Tax Exemption Certificate is furnished. Prices and terms, designs, materials, specifications, weights and dimensions for equipment or parts are subject to change without notice.

Method of shipment

All merchandise is priced F.O.B. factory. All shipments are carefully packed and labeled to prevent damage or loss. Crates, boxes and cartons used are of approved weight and strength. Orders not routed by the purchaser will be shipped at our discretion via the best method possible without any liability on our part for such selection.

Purchaser pick-up

Service Parts

Orders must be received at least 24 hours prior to personal pick-up.

How to cancel an order

Multiplex will not accept the cancellation of any order for special or proprietary equipment or parts unless we receive payment of reasonable charges based on expenses already incurred and commitments made by Multiplex.

Damaged and lost shipments

The responsibility of Multiplex Co., Inc. ceases upon acceptance of the products being shipped in good condition by the carrier. Any damage or loss sustained in shipment should be reported to the delivering carrier immediately. The carrier is responsible for all shipments. If you receive a damaged shipment, ask the carrier's agent for a claim form and have the carrier prepare an inspection report, a copy of Multiplex's invoice, the freight bill, and a letter estimating the cost of repair or replacement must be submitted to the carrier before they can process your claim. Compare the number of cartons received against the number of cartons listed on our packing list or Bill of Lading. If they do not agree, be sure to note the shortage on the delivery receipt before accepting delivery and signing the delivery of the specified number of cartons. UPS shipments are insured individually and UPS will replace all merchandise that is lost. Notify us immediately if you wish to trace merchandise lost in transit.

Return of merchandise

No merchandise is to be returned without our approval. The purchaser must prepay the freight for all returned goods. After receiving our approval, all merchandise must be returned to our factory at 250 Old Ballwin Road, St. Louis, Missouri 63021. Multiplex is not responsible for merchandise returned to any location other than our factory.

The merchandise authorized to be returned must be in new, unused condition and in its original carton with all original packaging.

A credit will be allowed amounting to the original selling price or current selling price, whichever is lower, less a 15% restocking charge, with a minimum charge of \$25.00 for each return to cover cost of receiving, inspection, testing, repackaging, and processing all documents.

Replacement parts purchased for out-of-warranty equipment

These parts will be repaired or replaced on an even exchange basis (no labor allowance) during the 90-day period following shipment from our factory.

Replacement procedure

Prior approval must be received from Multiplex before a unit, motor compressor and/or components may be returned for replacement or repair. Any unit or component returned, freight collect, will be refused and returned to sender.

Multiplex will not accept any used equipment for credit. The minimum invoice charge is \$25.00 per order.