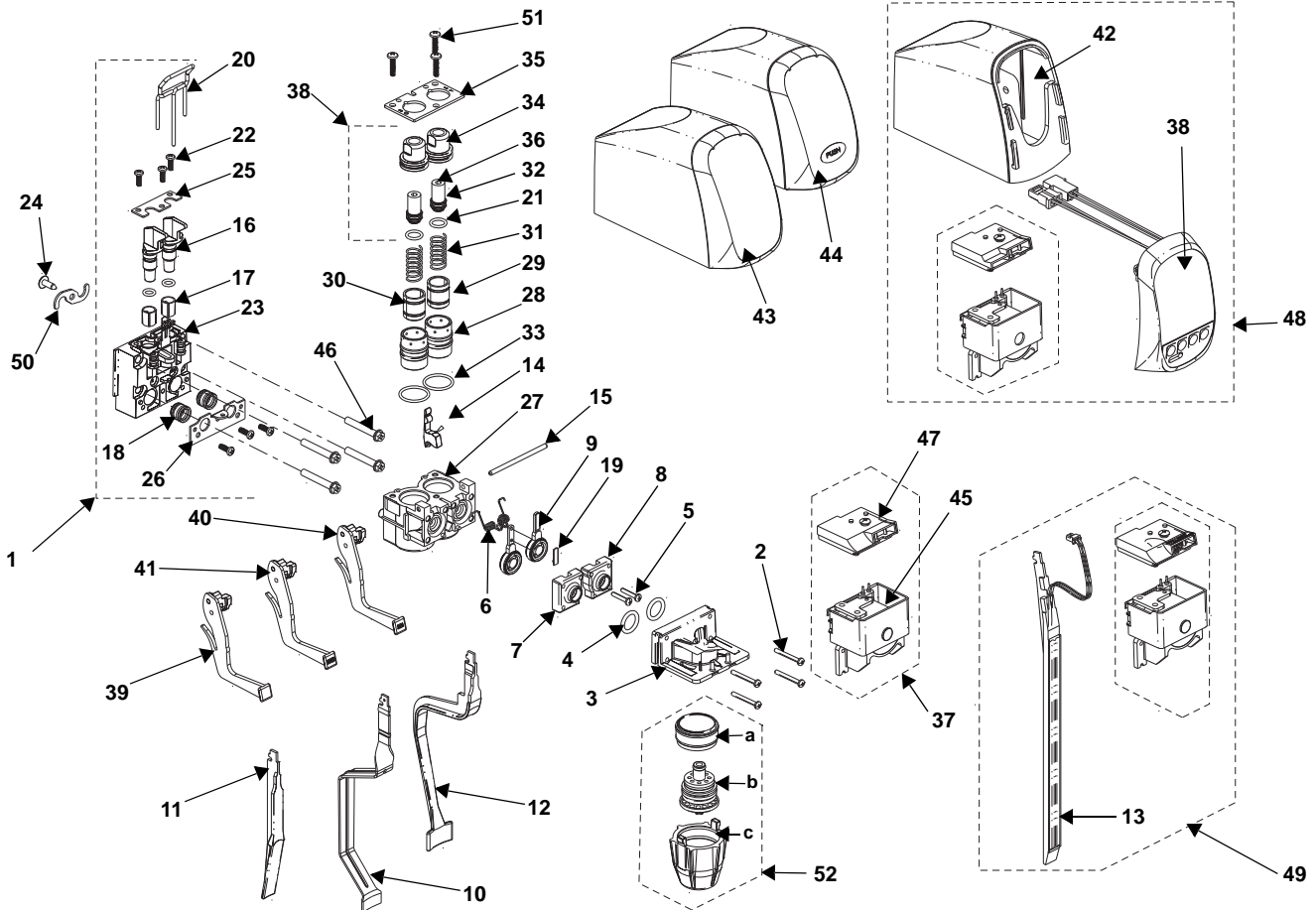


FLOMATIC®

Parts Manual

424-GP Post-Mix Valve



DESCRIPTION	PART NO.	DESCRIPTION	PART NO.	DESCRIPTION	PART NO.
1 M7G Block 0.380	380-Q	23 380Q Body	562-80	39 464 Add a Lever	1028
2 Screw 4-40 X 1	505	24 Screw 8 X1/2	565	40 Add a Lever (Soda)	1028-S
3 Diffuser Block 424 Inst.	504-26-B	25 Shutoff Retainer Plug	567	41 Add a Lever (Water)	1028-W
4 O-ring (.112)	509	26 Quad Stem Seal Retainer	568	42 Base Cover	1601
5 Screw - 4-40x5/8	510	27 Flow Control Base 424 #8	600-07-B	43 Front PL Cover	1602
6 Spring Coil Pallet Retainer	511-04	28 Cylinder	602-02	44 Front Push Button GP Cover	1610
7 Orifice cap - left	512-01-B	29 Syrup Piston	603-02	45 Solenoid Assembly	9774-1
8 Orifice cap - right	513-01-B	30 Soda Piston	604-02	46 Self Tap Screw 10-24X1-1/4	5011953
9 Pallet Bearing Pad Set	515-30	31 Flow Control 7 Coil Spring	605-01	47 Switch	
10 Sanitary Lever SS (SSL)	516-06	32 Flow Rate Adj Screw	607	a. Autofil Switch	5030421
11 Plastic Lever Black	516-07	33 O-ring (.017)	608	b. Manual Switch	5030419
12 Sanitary Lever Molded	516-09	34 Flow Rate Adj Nut	609	c. Portion Control	5030418
13 Lever Sensor	516-10	35 Retainer Plate 6-32	610-04	48 Portion Ctrl AC Convn Kit	5031015
14 Elec Lever Retainer LG	517-05	36 Flow Rate Adj Set	642-00	49 Autofil AC Convn Kit	5031018
15 Pivot Pin Long	524-02	37 AC Solenoid with Switch		50 S-Clip	5031205
16 Shutoff Plug	526	a. Autofil	774-A36	51 Screw #8X5/8 PH HI LO 18-8	020001284
17 Shutoff Seal	527	b. Manual	774-E36	52 464 GEN II Nozzle Asm.	020001750
18 Quad Seal Vlv Stem	528	c. Portion Control	774-P36	a. Seal Ring	N/A
19 Pallet Bearing	530	d. Push Button	020003647	b. Diffuser Replacement Insert	N/A
20 Latch Pin	538-04	38 464 PC Cover	835-01	c. Replacement Nozzle	N/A
21 O-ring (.012)	551				
22 Screw #6 X 3/8	553-00				