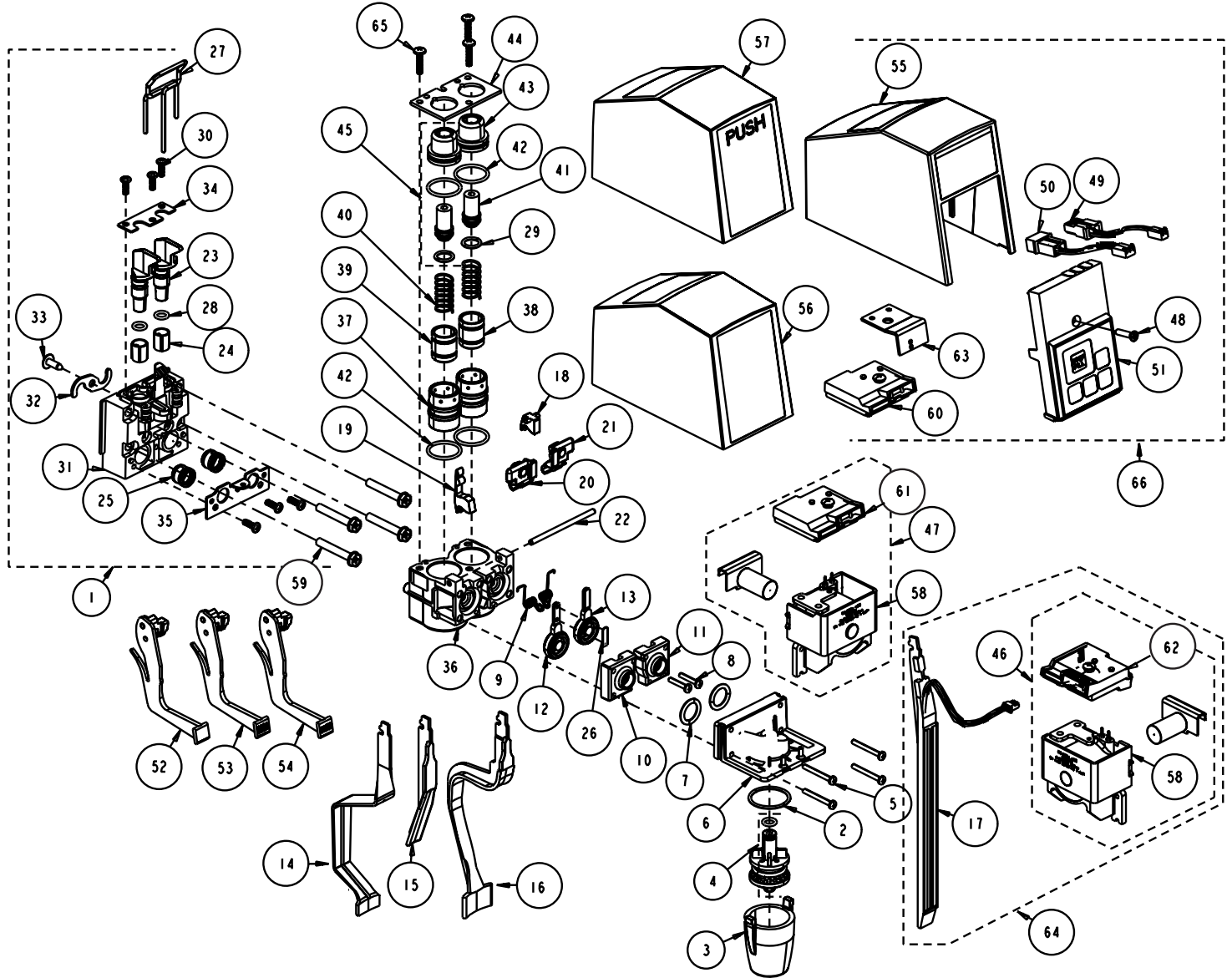




Flomatic 424 Post-mix Soda Valve



NO	Part #	Description
1	5007842	MTG BLOCK 0.380
2	500	ORING 021
3	501-24	NOZZLE SOFTPOUR CLR
4	504-10	DIFFUSER INSERT SET
5	505	SCREW 4-40X1
6	507-26-B	DIFFUSER BLOCK 424 INSERT
7	509	ORING 112
8	510	SCREW 4-40X5/8
9	511-04	SPRING COIL PALLET RETAINER
10	512-01-B	ORIFICE CAP LFT BLK
11	513-01-B	ORIFICE CAP RT BLK
12	515	PALLET
13	515-24	PALLET BEARING PAD SET
14	516-06	LEVER SANITARY SS (SSL)
15	516-07	EURO LEVER PL BLK
16	516-09	LEVER SANITARY MOLDED
17	516-10	AUTOFILL LEVER SENSOR
18	517-00	LEVER RETAINER MECH
19	517-05	LEVER RETAINER ELEC LG
20	521-01	ACCTUATOR ASSY LEFT
21	522-01	ACCTUATOR ASSY RIGHT
22	524-02	PIVOT PIN LONG
23	526	SHUTOFF PLUG
24	527	SEAL SHUTOFF

NO	Part #	Description
25	528	SEAL QUAD VLV STEM
26	530	BEARING PALLET
27	538-04	LATCH PIN
28	543	O-RING (010)
29	N/A	ORING 012
30	553-00	SCREW #6 X 3/8
31	562-80	BODY 380Q
32	5031205	S-CLIP
33	565	SCREW 8X1/2
34	567	RETAINER SHUTOFF PLUG
35	568	RETAINER QUAD STEM SEAL
36	600-07-B	FLOW CTRL BASE 424 # 8
37	602-02	CYLINDER
38	603-02	PISTON SYR
39	604-02	PISTON SODA
40	605-01	SPRING FLOW CTRL 7 COIL
41	N/A	SCR FLOW RATE ADJ M
42	N/A	ORING 017
43	N/A	NUT FLOW RATE ADJ
44	610-04	RETAINER PLATE 6-32
45	642-00	FLOW RATE ADJ SET
46	774-A36	SOL AUTOFIL SNGL AC
47	774-E36	SOL MSL SNGL YOKE AC
48	805	SCREW 6-32X5/8

NO	Part #	Description
49	817-02	HARNES P32 PCM LEAD
50	817-03	HARNES PCM POWER
51	832-01	PCM 4 CUP P32
52	1028	ADD-A-LEVER 464
53	1028-S	ADD-A-LEVER 464 SO
54	1028-W	ADD-A-LEVER 464 WTR
55	1500	COVER PC 400 SERIES
56	1521	COVER PL
57	1525	COVER PB LIVING HINGE
58	9774-1	SOLENOID ASSEMBLY
59	5011953	SCR 10-24X1-1/4 SELF TAP
60	5030418	SWITCH, PCTRL
61	5030419	SWITCH, MSL
62	5030421	SWITCH, AUTOFILL
63	5030891	BRKT PCTRL AC
64	5031018	KIT AC AUTOFILL CONV
65	020001284	SCR #8 X 5/8 PH HI-LO 18-8
66	5031026	KIT CONV MECH TO PC SNGL

Complete Valve Assemblies

NA	424-CF-E36-1521	PUSH LEVER
NA	424-CF-S36-1525	PUSH BUTTON
NA	424-CF-P36-1500	PORTION CONTROL
NA	424-CF-A36-1521	AUTOFILL