

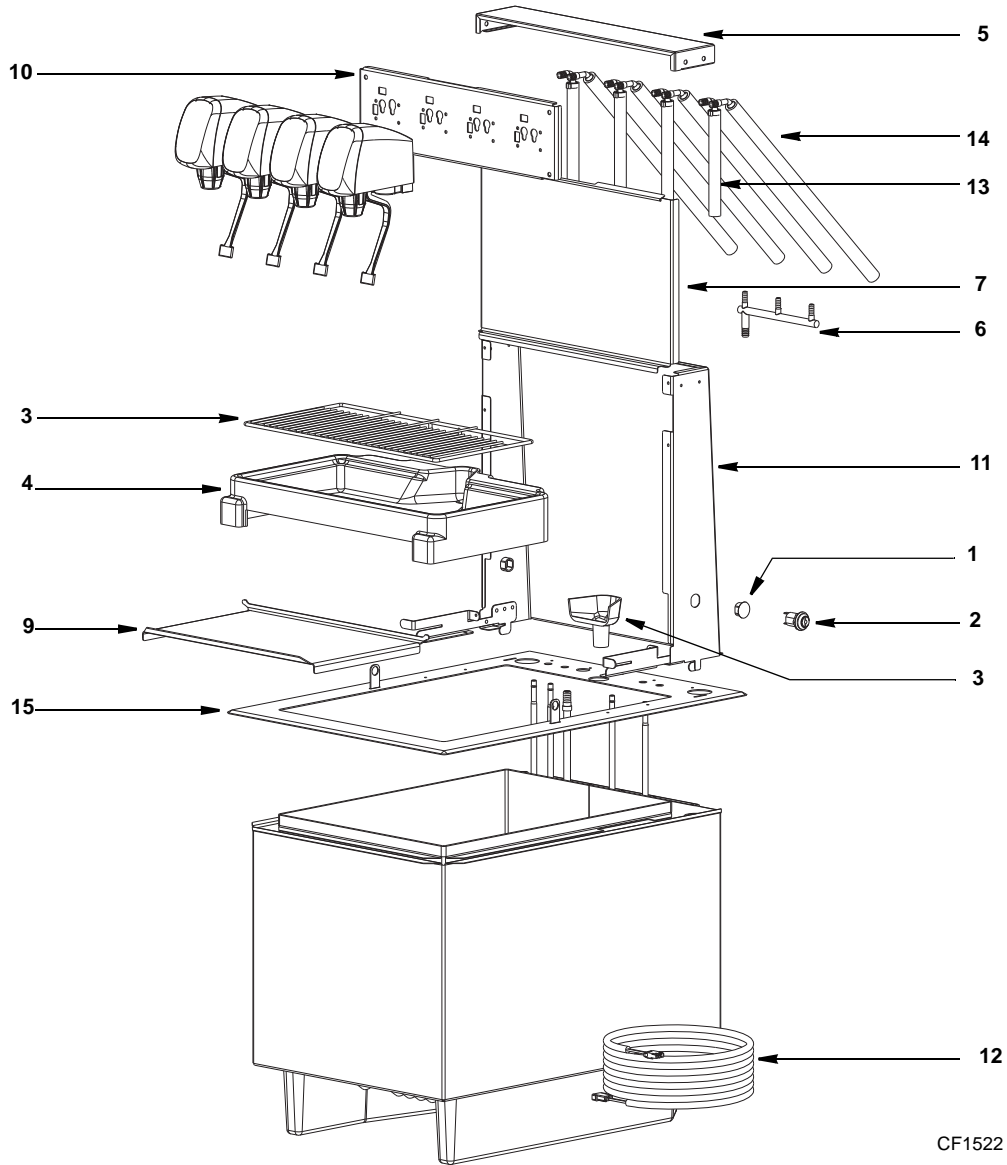


## **CF-1522 Ambient Beverage Dispenser Parts List**

**CF-1522**

**CARBONATOR 43-5003**

# CF-1522 Tower



2705154  
CF1522 4SL F464G XC SCAP

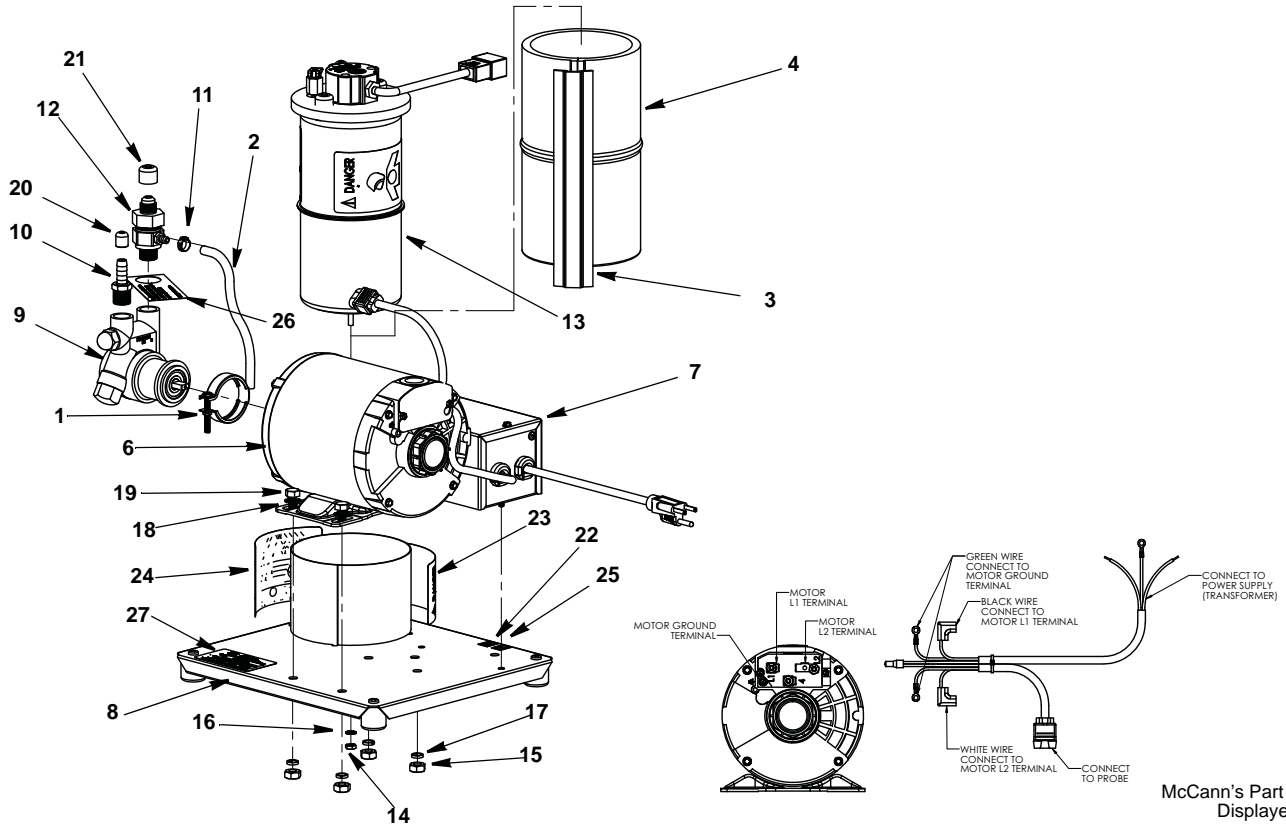
## DESCRIPTION

	<b>PART NO.</b>
1 Plug-D HEYCO 2503 .....	1200322
2 Keyswitch .....	5000220
3 Funnel Rubber Drain .....	5006933
4 Grid Wire .....	5007664
5 Drainpan Wide Black .....	5008721
6 Tower Cap .....	5009104
7 Water Manifold .....	5013868
8 Splash Panel .....	5030649
9 Door Lift .....	5031004
10 Valve Mount Cap 4lv .....	5031099
11 Tower Weld .....	5031474
12 Jumper Valve Leads .....	020002458
13 Water Line Upper Assy .....	020002467
14 Syrup Beverage Line Assembly .....	020002482
15 Welded Bezel .....	020002579

## Miscellaneous - Brackets, Screw, Etc.

16 Valve Harness Leads (not shown) .....	020002425
17 Power Harness 115/100 (not shown) .....	020002426
18 Plumbing Label (not shown) .....	020002459
19 Wiring Label 24 Vac (not shown) .....	020002471

# CF-1522 CARBONATOR with POWER SUPPLY



43-5003  
McCann's Part Number  
Displayed Below

## DESCRIPTION

	<b>PART NO.</b>
1 Clamp, V-band, Carbonator . . . . .	00-1222
2 Hose, PVC, 1/4 I.d. X 3/8 O.D., Cut 12" . . . . .	01-1649
3 Insulation, Carbonator Tank, LVPO, Cut 9" . . . . .	01-1989
4 Insulation, Carb. Tank, 8-5/8" Long . . . . .	020000843
5 Carton, Carbonator, Small (Not Shown) . . . . .	07-0344
6 Motor, AO Smith, 115V, 1/3 HP . . . . .	10-1649
7 Power, Supply, LVPO . . . . .	15-3351
8 Assy., Carbonator W/power Supply, Base & Feet . . . . .	15-3353
9 Pump, Brass, Rotary Vane, 125 Gph . . . . .	16-0165
10 Fitting, 3/8 Barb X 3/8 MNPT, Brass . . . . .	19-0589
11 Clamp, 13/32 I.D., Oetiker, Stepless, No. 10.5-505R . . . . .	19-0676
12 Asse 1022, Backflow Preventer . . . . .	19-0897
13 Assy., Carbonator Tank, 115V Probe, LVPO . . . . .	43-1606

## Miscellaneous - Brackets, Screw, Etc.

14 Nut, Hex, 10-32, Zinc Plated . . . . .	00-0424
15 Nut, Hex, 5/16-18, Zinc Plated . . . . .	00-1077
16 Washer, Lock, #10, Ext. Tooth . . . . .	10-0251
17 Washer, Lock, 5/16, Split, Zinc Plated . . . . .	10-0258
18 Washer, Lock, 5/16, External Tooth, Zinc Plated . . . . .	10-0290
19 Bolt, 5/16 X 5/8 Hex Head . . . . .	10-0555
20 Plug, cap, VC-375-8, Black . . . . .	10-1877
21 Cap Plug, VC-600-8, Black, Vinyl . . . . .	10-2006
22 Decal, Inspection Sticker (11 Thru 25) . . . . .	18-1075
23 Decal, Carbonator Tank, CO <sub>2</sub> . . . . .	18-1339
24 Decal, Small Carbonator . . . . .	18-1345
25 Decal, Test Sticker . . . . .	18-1368
26 Tag, ABF-1 . . . . .	18-1571
27 Label, Model/serial Number, Carbonator, 43-5003 . . . . .	18-1725
28 Label, For 43-5003, Carton Not Shown . . . . .	18-1726