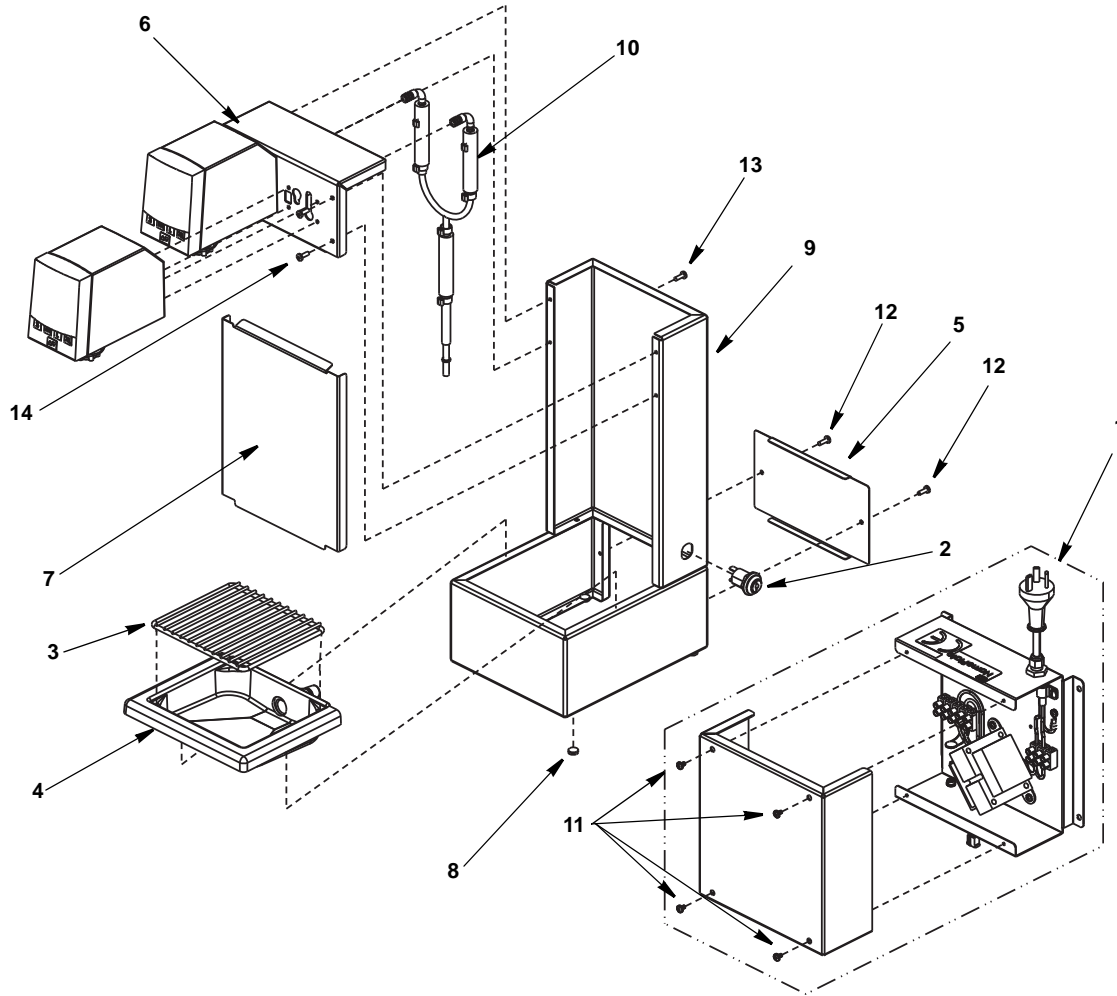




Parts List Beverage Towers

2 Valve Tower

2 VALVE TOWER EXPLODED VIEW PARTS LIST



DESCRIPTION

1 Transformer

- a. 230/26VAC 50/60Hz C.E.
- b. 120/60 75 VAC
- c. 120/24 VAC
- d. 230/24 50/60Hz
- <-> Jumper Wire Black 230V (not shown)

PART NO.

- 00214163
- 020002908
- 00214016
- 5031631
- 020003461

- 2 Key Switch
- 3 Grid
- 4 Drain Pan with Horizontal Fitting
- 5 Rear Plate
- 6 Valve Mount Cap
- 7 Splash Panel
- 8 Rubber Bumper
- 9 Tower Wrap - Welded
- 10 2 Valve Manifold

- 5000220
- 5012300
- 5012302
- 5012355
- 5012856
- 5012357
- 5012358
- 5012383
- 5012395

Miscellaneous - Brackets, Screw, Etc.

- 11 Screw - 8-32 x 1/4" PH RD
- 12 Screw - 6-32 x 5/8" SLTD RD
- 13 Screw - 8-32 x 1/2" SLTD
- 14 Screw - 8-32 x 1/2"

- 00850610
- 00850623
- 00851504
- 5011940