

FlexTower Series

8, 12 and 16 Flavor Beverage Dispensers



Servend®

EXPLODED VIEW PARTS LIST



ISO 9001:2000
Quality System Certified



Manitowoc
Foodservice Group

Manitowoc Beverage Equipment

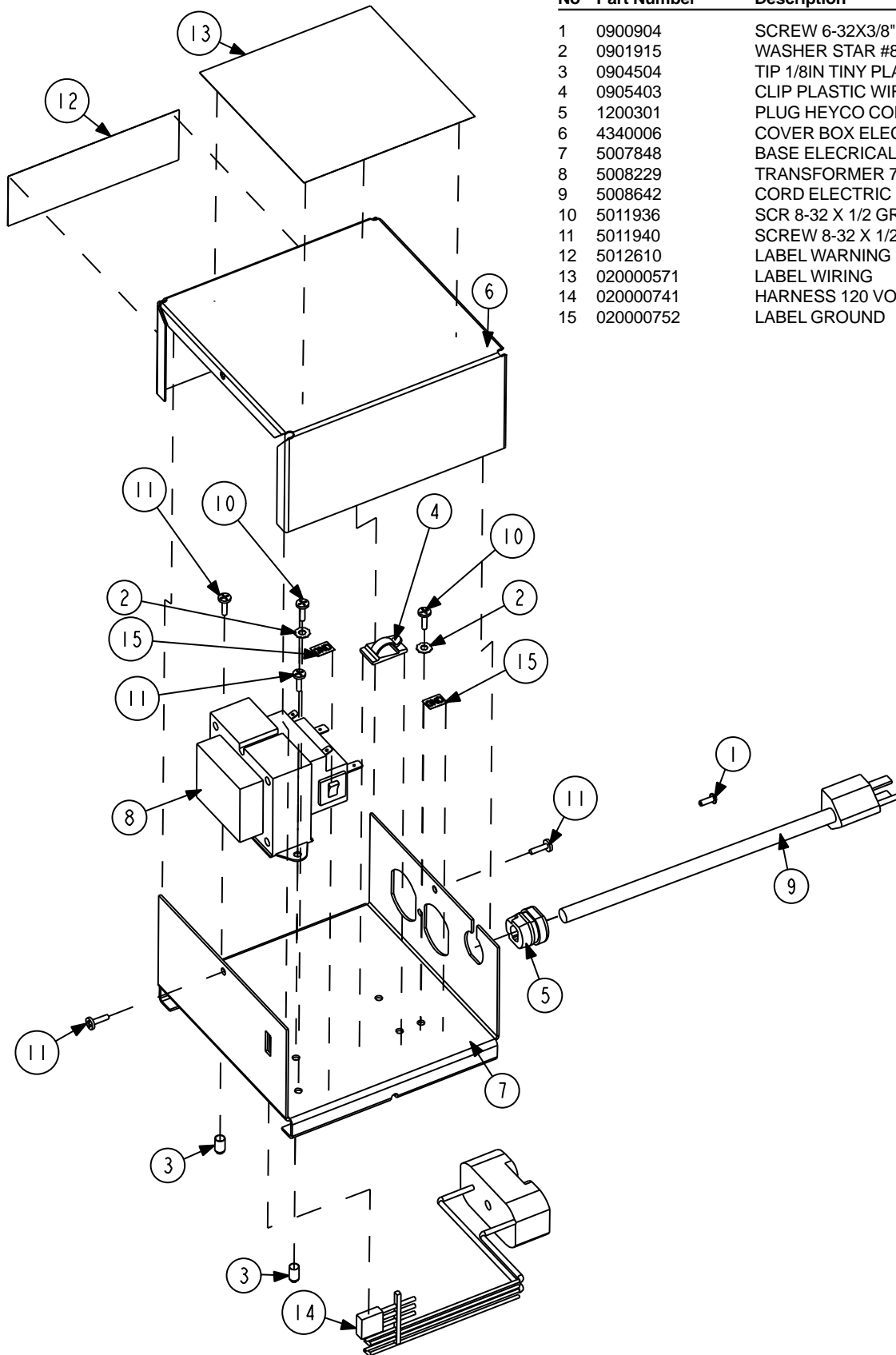
2100 Future Drive • Sellersburg, IN 47172-1868
Tel: 812.246.7000, 800.367.4233 • Fax: 812.246.9922
www.manitowocbeverage.com

In accordance with our policy of continuous product development and improvement, this information is subject to change at any time without notice.



EXPLODED VIEWS, PARTS & DIAGRAMS

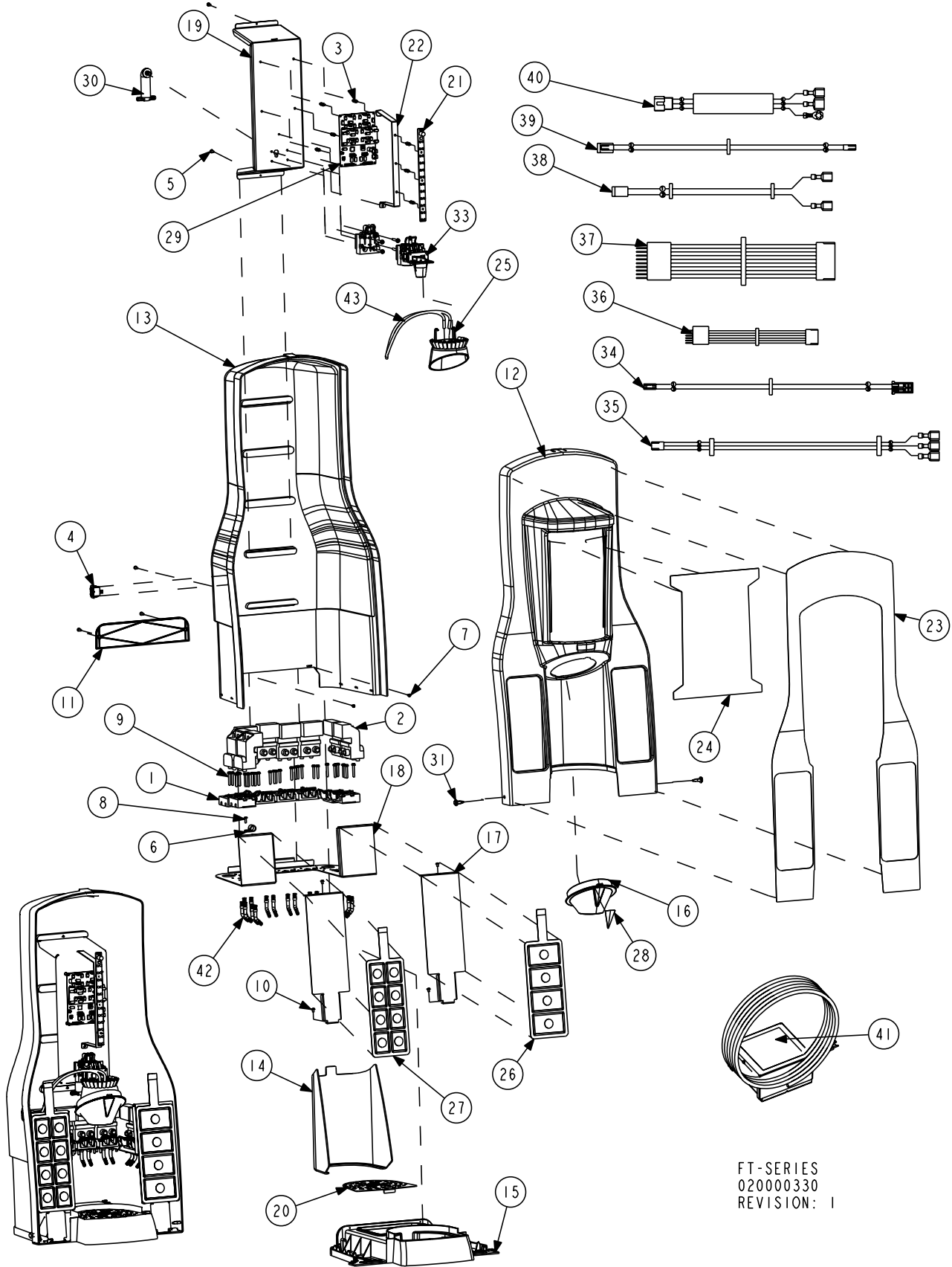
POWER SUPPLY



No	Part Number	Description
1	0900904	SCREW 6-32X3/8" SS PH RHMS
2	0901915	WASHER STAR #8 SS
3	0904504	TIP 1/8IN TINY PLASTIC
4	0905403	CLIP PLASTIC WIRE & CORD
5	1200301	PLUG HEYCO CORD STRAIN RELIEF
6	4340006	COVER BOX ELECTRICAL
7	5007848	BASE ELECTRICAL BOX
8	5008229	TRANSFORMER 75VA 120V w/BREAKER
9	5008642	CORD ELECTRIC
10	5011936	SCR 8-32 X 1/2 GRND ZINC
11	5011940	SCREW 8-32 X 1/2
12	5012610	LABEL WARNING
13	020000571	LABEL WIRING
14	020000741	HARNESS 120 VOLT SUPPLY
15	020000752	LABEL GROUND

EXPLODED VIEWS, PARTS & DIAGRAMS

FLEXTOWER EXPLODED VIEW



FT-SERIES
020000330
REVISION: 1

EXPLODED VIEWS, PARTS & DIAGRAMS

FLEXTOWER PARTS LIST

No.	Part Number	Description	No.	Part Number	Description
1	380-Q	FLOMATIC VALVE BLOCK .380	22	020000568	BRACKET LIGHTS
2	424-CSY-D22MD	FLOMATIC SYRUP / SYRUP VALVE	23	020000569	DECAL METAL FRONT
3	00212539	STANDOFF 7/16 HIGH	24	020000570	MEDALLION
4	00804437	SWITCH SPST 16A 3/4HP	25	020000621	SYRUP INJECTION SHROUD WITH PORTS
5	0901430	SCREW 8-32 X 1/4" PH PS	26	020000622	TOUCH PAD 4 AREA
6	5009971	CLAMP 3/8" CABLE	27	020000623	TOUCH PAD 8 AREA
7	5011935	SCREW 6-32X3/8" SS PH RHMS	28	020000636	DECAL METAL NOZZLE
8	5011940	SCREW 8-32 X 1/2	29	020000712	BOARD CIRCUIT MAIN
9	5011953	SCR 10-24X1-1/4 SELF TAP	30	020000767	WATER RECIRCULATION LINE
10	5012081	SCR 8-32 x 1/4" PH PS	31	020000970	RIVET PLAS REMOVABLE
11	5012154	PLATE BASE REAR COVER	33	464-GP-P36	VALVE FLOMATIC 464 PC
12	020000299	PANEL FRONT	34	020000641	HARNESS WATER VALVE
13	020000300	PANEL REAR	35	020000642	HARNESS SYRUP VALVE
14	020000308	SHIELD SPLASH	36	020000640	HARNESS TOUCHPAD ACTIVATION
15	020000309	BASE W/ DRAIN PAN	37	020000643	HARNESS TOUCHPAD LED
16	020000348	NOZZEL COSMETIC	38	020000645	HARNESS CIRCUIT BOARD POWER
17	020000470	PUSH PLATE	39	020000644	HARNESS LED LIGHTING
18	020000471	PLATE VALVE	40	020000615	HARNESS 24 VOLT SUPPLY
19	020000472	BRACKET UPPER VALVE	41	020000742	SUPPLY 120 VOLT 60 HZ POWER
20	020000515	Grid	42	5013687	FITTING DOUBLE O-RING 45 DEGREES
21	020000537	BOARD LIGHTS	43	020000770	TUBING 1/4 OD X 13IN



Manitowoc Beverage Equipment

2100 Future Drive • Sellersburg, IN 47172-1868
Tel: 812.246.7000, 800.367.4233 • Fax: 812.246.9922
www.manitowocbeverage.com

In accordance with our policy of continuous product development and improvement, this information is subject to change at any time without notice.