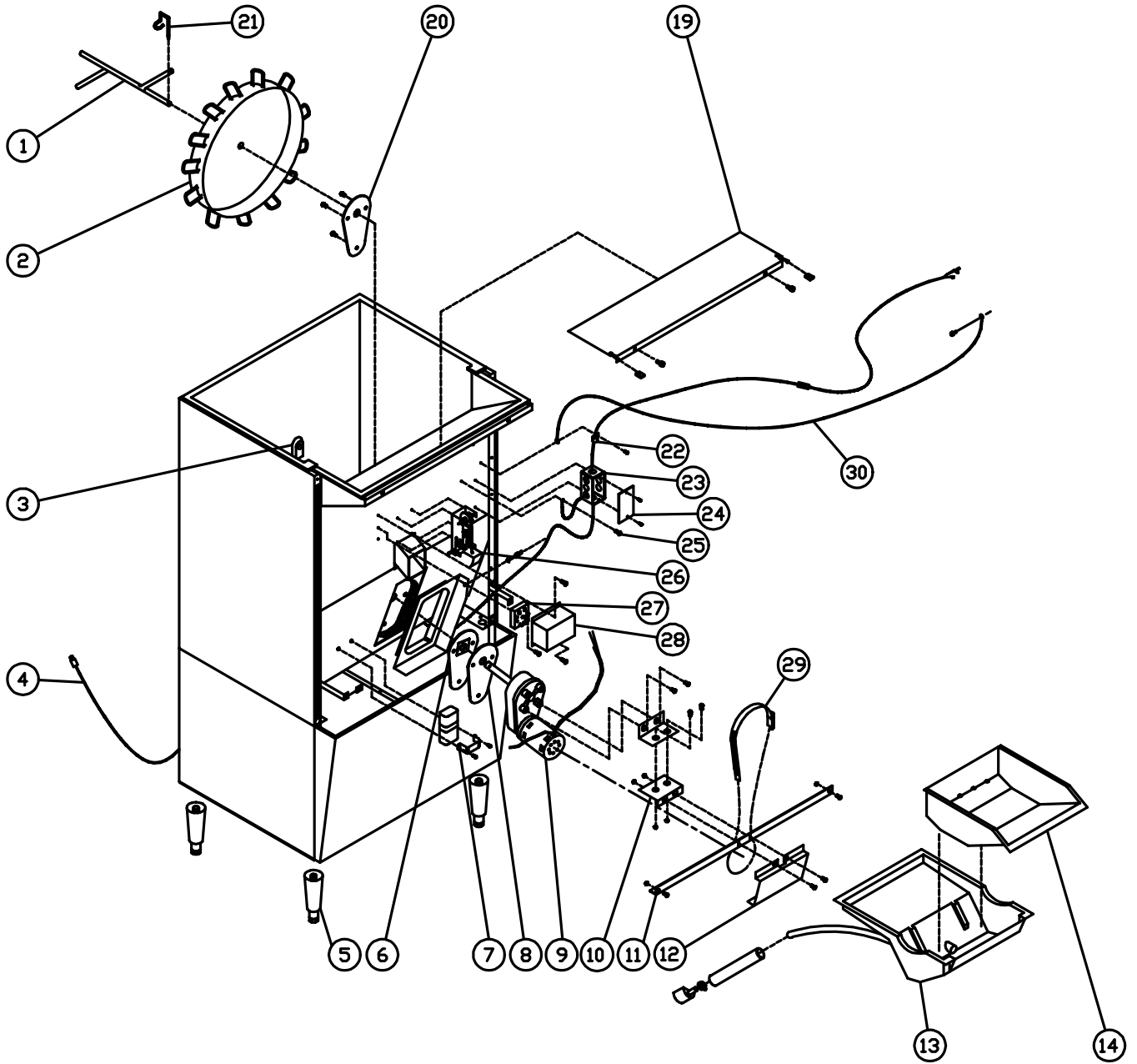

H265 SERIES DISPENSER

H265 SERIES DISPENSER	H265 - 1
H265 BASE EXPLODED VIEW	H265 - 2
H 265 BASE PARTS LIST	H265 - 3
H265 STANDARD FRONT EXPLODED VIEW	H265 - 5
H265 STANDARD FRONT PARTS LIST	H265 - 6
H265 WATER STATION FRONT EXPLODED VIEW	H265 - 7
H265 WATER STATION FRONT PARTS LIST	H265 - 8
H265 MASTER KEY SWITCH FRONT EXPLODED VIEW	H265 - 9
H265 MASTER KEY SWITCH FRONT PARTS LIST	H265 - 10
H265 COIN MECHANISM FRONT EXPLODED VIEW	H265 - 11
H265 COIN MECHANISM FRONT PARTS LIST	H265 - 12
H265 COIN MECHANISM EXPLODED VIEW	H265 - 13
H265 COIN MECHANISM PARTS LIST	H265 - 14
H265 DOOR EXPLODED VIEW	H265 - 15
H265 DOOR PARTS LIST	H265 - 16

H265 BASE EXPLODED VIEW



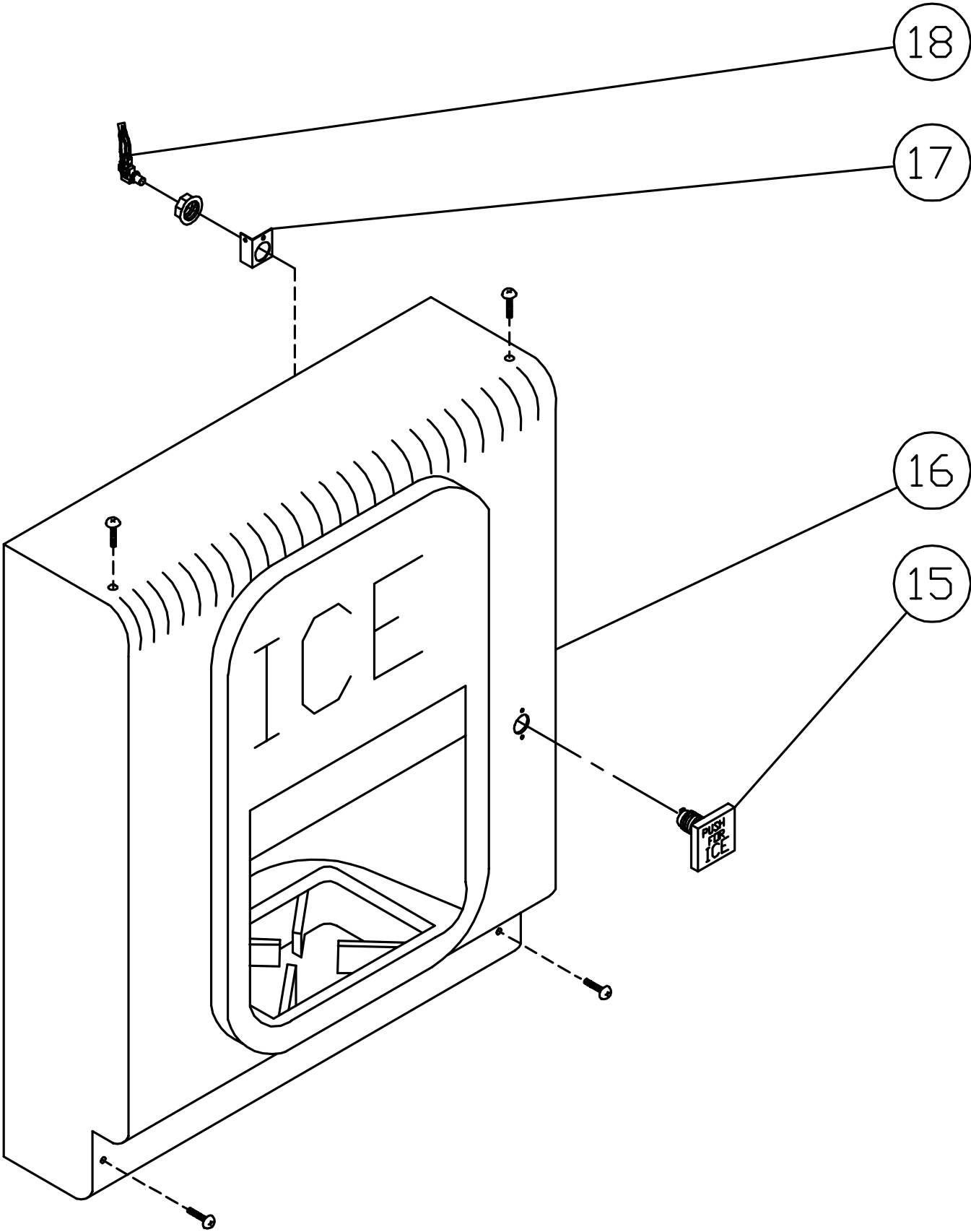
H 265 BASE PARTS LIST

KEY #	DESCRIPTION	PART NUMBER
1	Agitator	7015701
2	Paddle Wheel	2601415
3	Mushroom Bushing	O101702
4	Cord	120 Volt 60 Hz 2600711
5	6" Leg	88295922
6	Motor Insulator Assembly	7015908
7	Capacitor Bracket	1001707
8	Motor Insulator Gasket	O400232
9	Motor	120 Volt 60 Hz 5000868
		100 Volt 50 / 60 Hz 5000868
		220 Volt 50 Hz 5000869
		220 Volt 60 Hz 5000869
		240 Volt 50 Hz 5000869
10	Motor Support Assembly	7015911
11	Motor Bracket	7010053
12	Motor Splash Guard	4540000
13	Drain Pan Assembly	4545906
14	Ice Bucket	4540042
19	Manual Fill Area Cover	4540058
20	Bin Support Bracket	2602011
21	Paddle Wheel Pin	5001683
22	Cable Clamp	0905413
23	Electric Box	7015914
24	Electric Box Cover	1000507
25	Ground Screw	O903903
26	Door Mount Assembly	(See Page 16 For Components) 7015913

H 265 BASE PARTS LIST

KEY #	DESCRIPTION	PART NUMBER	
27	Agitation Timer	120 Volt 60 Hz	1001319
		100 Volt 50 / 60 Hz	1001319
		220 Volt 50 Hz	5000353
		220 Volt 60 Hz	5000353
		240 Volt 50 Hz	5000353
28	Agitation Timer Cover	7010059	
29	Motor Clamp	0903205	
30	Front Panel Restraint Cable	4540054	

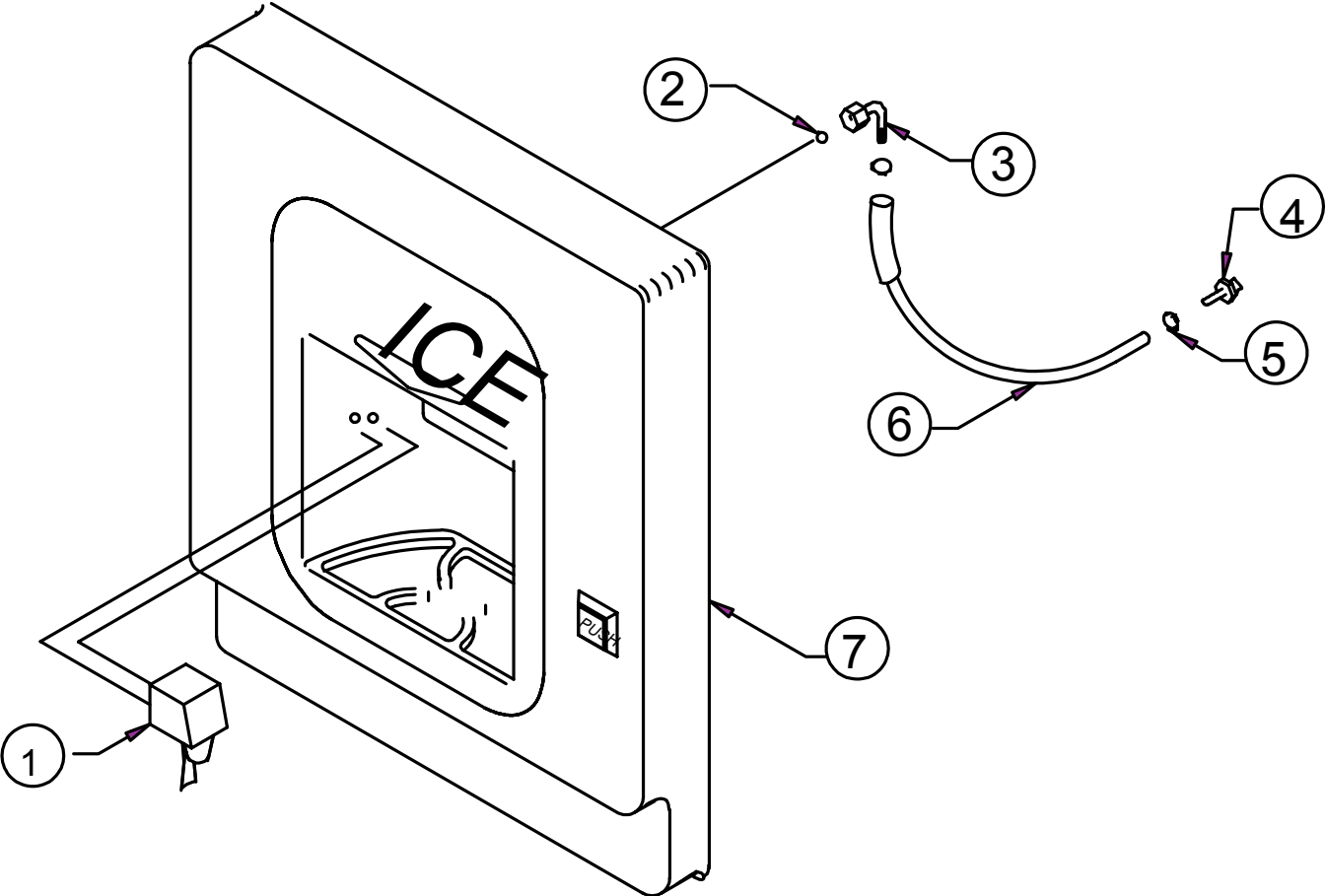
H265 STANDARD FRONT EXPLODED VIEW



H265 STANDARD FRONT PARTS LIST

KEY #	DESCRIPTION	PART NUMBER
15	Pushbutton Assembly - includes microswitch	1001120
16	Plastic Front Panel	4540008
17	Cable Restraint Bracket	4540056
18	Pushbutton Microswitch	5002739

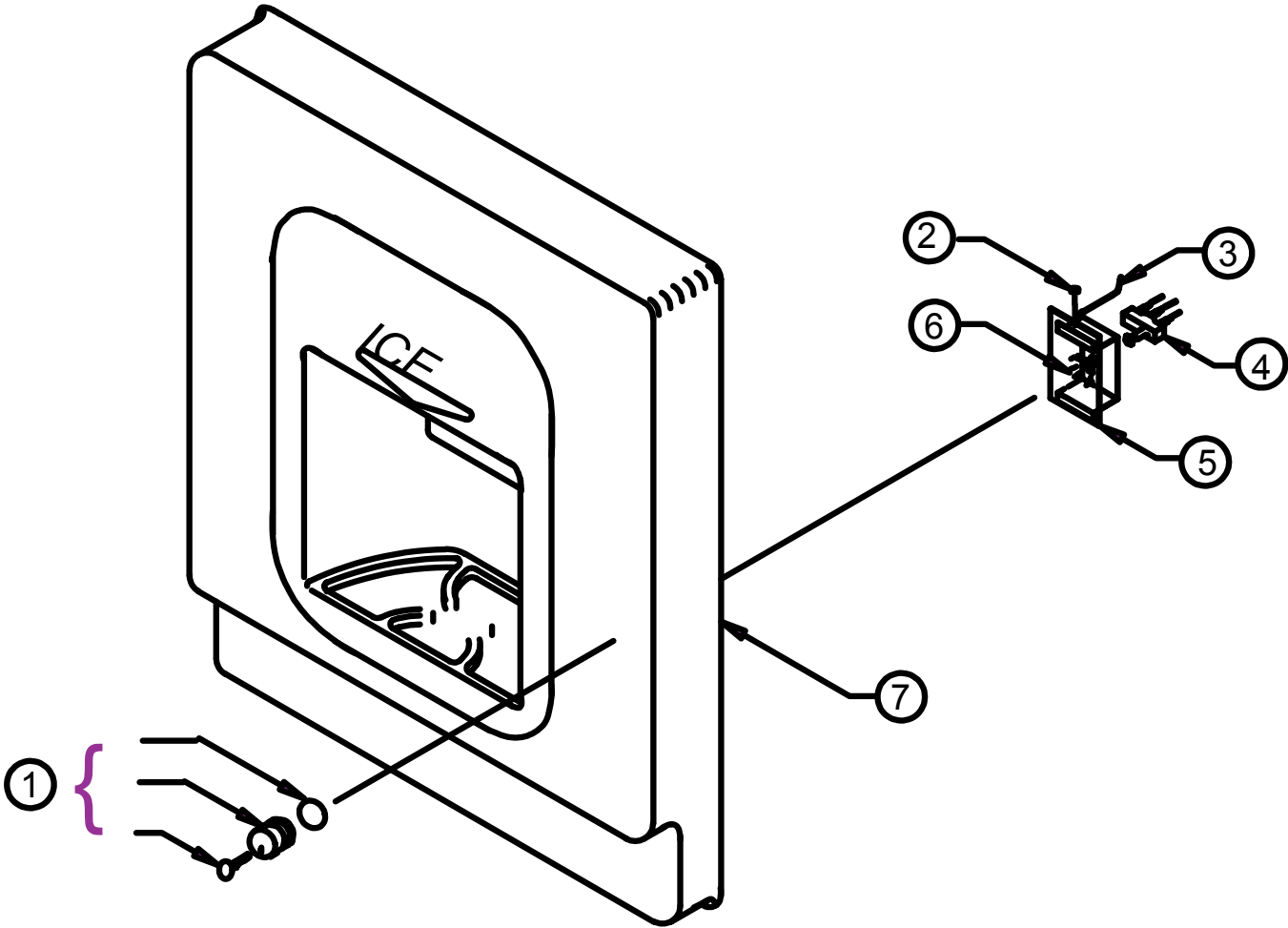
H265 WATER STATION FRONT EXPLODED VIEW



H265 WATER STATION FRONT PARTS LIST

KEY #	DESCRIPTION		PART NUMBER
1	Flomatic water valve	202	1700171
2	Water station gasket		1701113
3	Swivel nut and barbed fitting	1/4"	1701150
4	3/8" flare X 1/4" stem adaptor		1701122
5	Clamp	1/2"	1701301
6	Beverage tubing with insulation	1/4"	2602565
7	Front panel		5001563

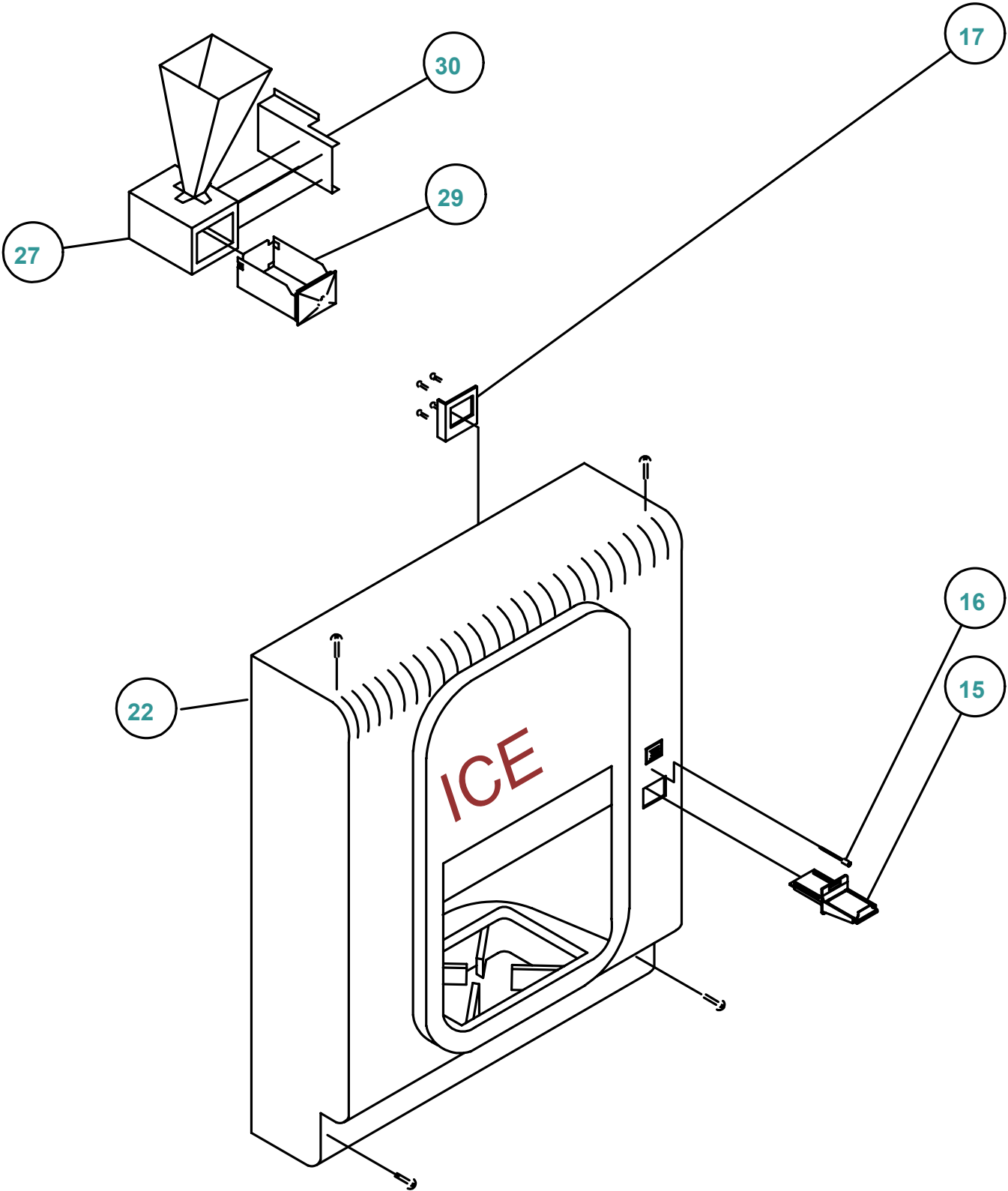
H265 MASTER KEY SWITCH FRONT EXPLODED VIEW



H265 MASTER KEY SWITCH FRONT PARTS LIST

KEY #	DESCRIPTION	PART NUMBER
1	Lock assembly Customer supplied or use	O904609
2	Knurl screw 8-32 x 1/2	O904403
3	Cable restraint	7055914
4	Microswitch	1000701
5	Switch mounting plate	4542002
6	Microswitch extender	O904501
7	Key lock front panel	4542000

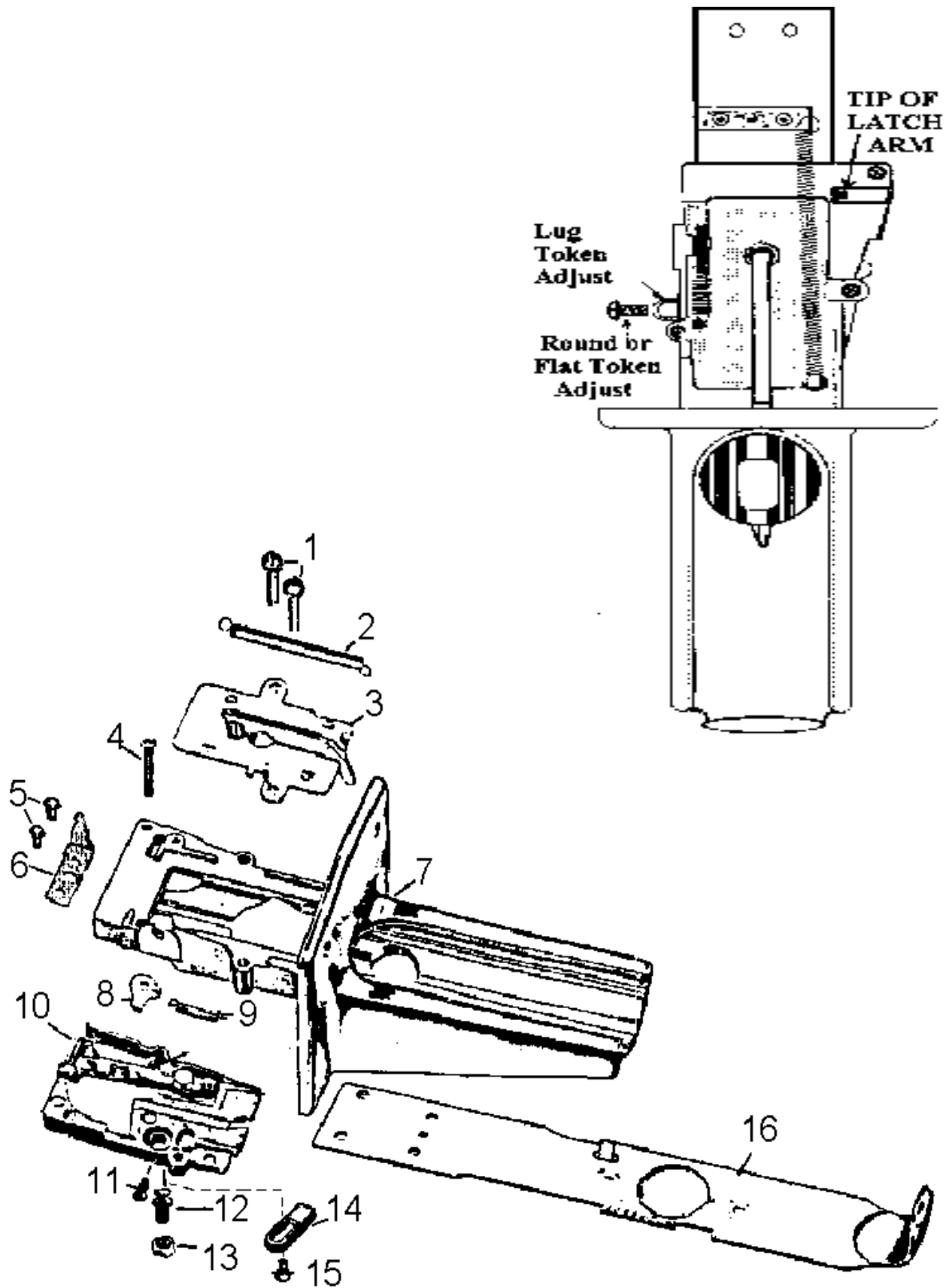
H265 COIN MECHANISM FRONT EXPLODED VIEW



H265 COIN MECHANISM FRONT PARTS LIST

KEY #	DESCRIPTION	PART NUMBER
15	Coin slide	See page 14
16	Low Ice light	120 Volt 60 Hz 5006233
		100 Volt 50/60 Hz 5006233
		220 Volt 50 Hz 5006707
		220 Volt 60 Hz 5006707
		240 Volt 50 Hz 5006707
17	Coin mechanism reinforcement plate	4542005
22	Front panel for coin mechanism	Complete assembly 5003919
		Front only 4542010
27	Coin box	4542017
29	Money box with key	O200909
30	Coin box bracket	4542020
---	Low ice thermostat	1001601
---	Empty when lit sticker	O301209
---	Coin Mechanism sticker	O301336
---	Screws for coin mechanism	10-32 x 1/2 " 88297696
---	Dispense timer for coin operation	6 x 603 1001301

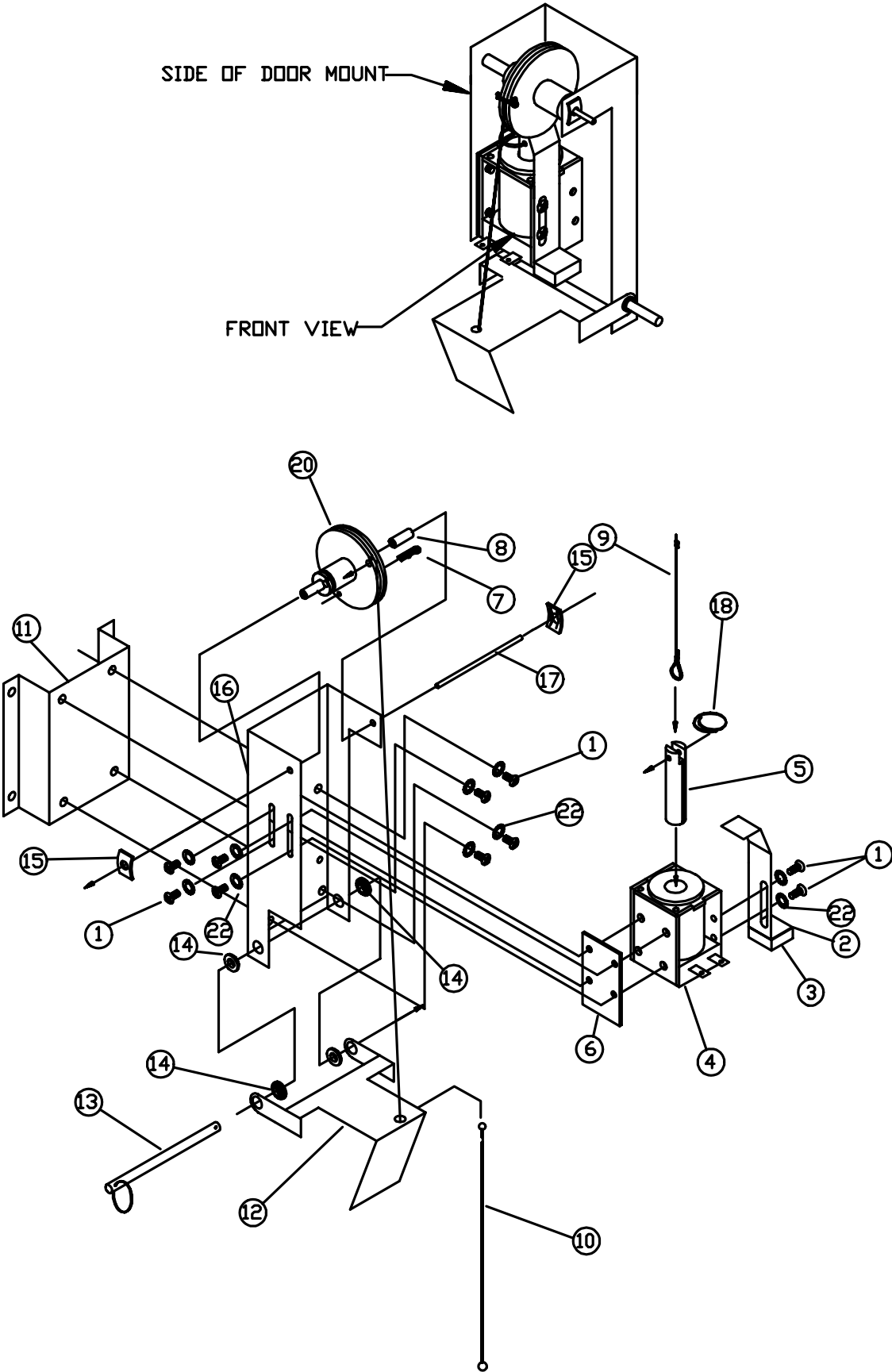
H265 COIN MECHANISM EXPLODED VIEW



H265 COIN MECHANISM PARTS LIST

KEY #	DESCRIPTION	PART NUMBER
1	Screw for top plate	194-6
2	Pull back spring	17M-1
3	Top plate assembly	194-4
4	Screw 6/40 x 3/4	194-11
5	Screw for slide stop	194-7
6	Slide stop	194-9
7	Housing	194-1BK
8	Ratchet dog	18M-5
9	Ratchet spring	17M-4
10	Bottom plate	194-3-A
11	Adjusting screw	194-3-2
12	Gauging screw (alternate to item # 14)	194-3-1
13	Hex nut / screw gauging adjustment (alternate to item # 15)	194-3-3
14	Adjusting stop for lug tokens (alternate to item # 12)	194-3-2A
15	Screw gauging adjustment (alternate to item # 13)	194-3-3A
16	Slide	194-2-X

H265 DOOR EXPLODED VIEW



H265 DOOR PARTS LIST

KEY #	DESCRIPTION	PART NUMBER	
1	Machine Screw	O900911	
2	Door Stop	7050014	
3	Door Stop Foam Bumper	2602422	
4	Solenoid Coil	115 Volt 60 Hz	1001202
		100 Volt 50/60 Hz	1001202
		220 Volt 60 Hz	5000352
		220 Volt 50 Hz	5000352
		240 Volt 60 Hz	5000352
5	Solenoid Plunger	included with coil	
6	Solenoid Padding	2602420	
7	3/64 Hitch Pin	O905209	
8	Pulley Spacer	2602407	
9	Cable	Solenoid to Pulley	1100906
10	Cable	Pulley to Door	1100905
11	Door Mount Base	4530013	
12	Door	7010005	
13	Cotterless Hitch Pin	O905218	
14	Door Bushing	1100415	
15	Tinnerman Clip	O900203	
16	Solenoid Door Mount	7010035	
17	Pulley Rod	7060009	
18	Circle Cotter Pin	O905251	
20	Pulley	2602401	
22	Lock (star) Washer	O901915	