



## **MD Series Beverage & Ice Dispenser Parts List for Models**

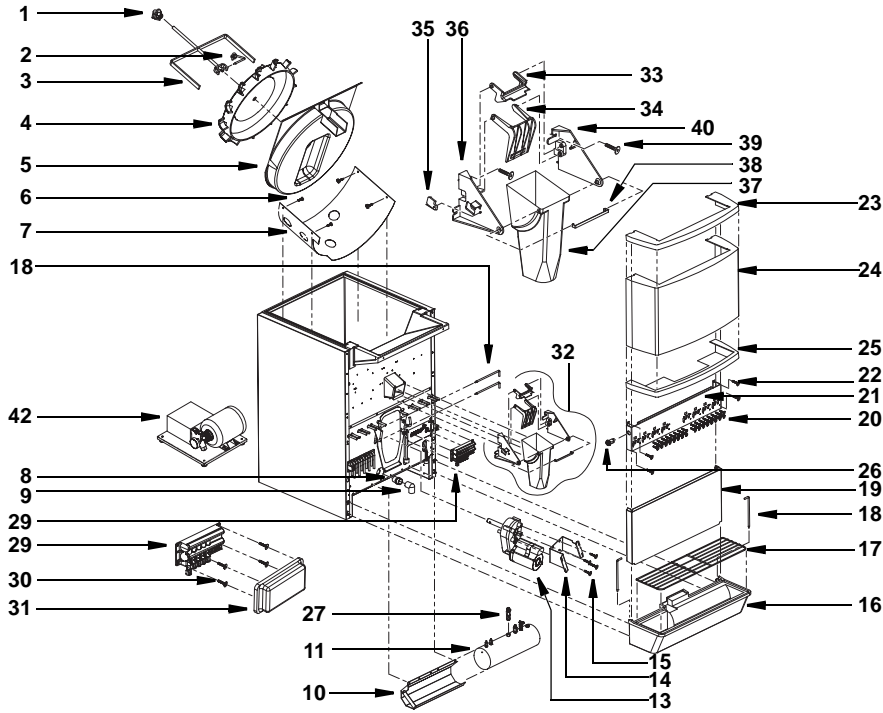
**MD-150**

**MD-200**

**MD-175**

**MD-250**

# MD-150 & MD-175



\* Items are standard options for cold carbonation

\*\* Item replaces item 27 when vented watts valve option is selected

## DESCRIPTION

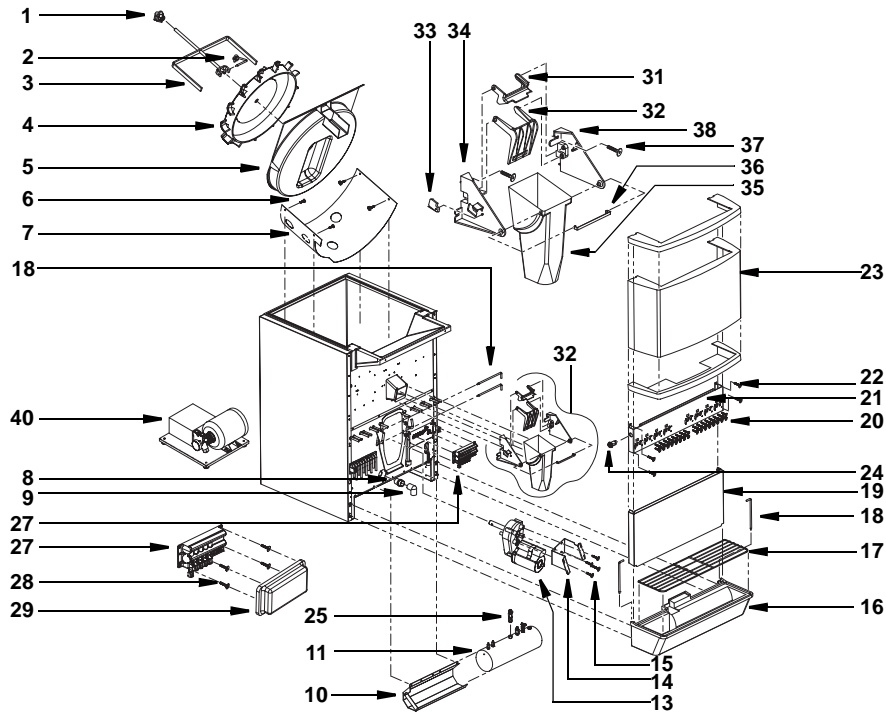
1	Mushroom Bushing	.....
2	U-bar Agitator	.....
3	U-bar Agitator Pin	.....
4	Paddle Wheel	.....
5	Paddle Wheel Area	.....
6	Screw 8-32x1/2" Knurl Unslotted (4x)	.....
7	<b>Bin Liner</b>	
	a. MD-150 & MD-175	.....
8	Drain Fitting 3/4"	.....
9	Drain Elbow 3/4" Female	.....
10	* Locator Carb Tank	.....
11	* Horizontal Carbonator Tank	.....
12	For Probe See 3.5x12.5 Carb Tk Dwg.	.....
13	Motor AY-62	.....
14	Motor Mount	.....
15	Bolt 1/4-20x5/8" SS HHCS (4x)	.....
16	<b>Drain Pan</b>	
	a. MD-150 Black	.....
	b. MD-175 Black	.....
17	<b>Grid</b>	
	a. MD-150 Standard	.....
	b. MD-175 Standard	.....
18	Retaining Pin (2x)	.....
19	<b>Splash Panel Stainless Steel</b>	
	a. MD-150 Standard	.....
	b. MD-175 Standard	.....
20	Screw 10-32x1/4" Rhms (4 Per Valve)	.....
21	<b>Valve Mount Cap</b>	
	a. MD-150 6 Valve	.....
	b. MD-175 8 Valve	.....
22	Screw 8-32x1/2" Zinc Ph Rd F (4x)	.....
23	Merchandiser Top (Black) MD-175 Only	.....
24	<b>Merchandiser</b>	
	a. MD-150	.....
	b. MD-175	.....
25	Merchandiser Bottom (Black) MD-175 Only	.....
26	Key Switch	.....
27	* Valve Chk Double 1/8" Npt X 0.116 Chudnow	.....
28	**Fitting 1/8" Male Npt X 3/8" Flare 0.116 Chudnow	.....
29	<b>Flex Manifold</b>	
	a. 4 Port	.....
	b. 5 Port	.....
30	Screw 8-32x1/4" SS Ph Truss (4x)	.....
31	Manifold Gasket (Cover)	.....
32	<b>Rocking Chute Assembly</b>	
	a. Wide	.....
	b. Narrow	.....
33	Door Lock	.....
34	Door	.....
35	Microswitch	.....
36	Door Mount Left	.....
37	<b>Rocking Chute</b>	
	a. Wide	.....
	b. Narrow	.....
38	Bracket	.....
39	Screw 8-32x1/2" Zinc Ph Rd F (2x)	.....
40	Door Mount Right	.....
41	<b>Lever Optional</b>	
	a. Wide	.....
	b. Narrow	.....
42	Pump Deck	.....

5010838

## PART NO.

0101702
5009529
5010452
2601415
5001051
5000711
5030667
1200121
1200117
5009599
5010006
5009611
020003650
5001776
0900601
5010894
5009542
5010684
5009535
4140023
5007833
5010262
5011953
5004284
5006837
5000973
5010175
5010609
5010283
5010174
5000220
5010380
5011069
020000986
020000987
0901018
5010332
5008476
5006914
5002509
5002508
1000703
5002507
5002506
5004850
5003963
5011940
5002657
5008351
5004851
5029123

# MD-200/250



\* Items are standard options for cold carbonation

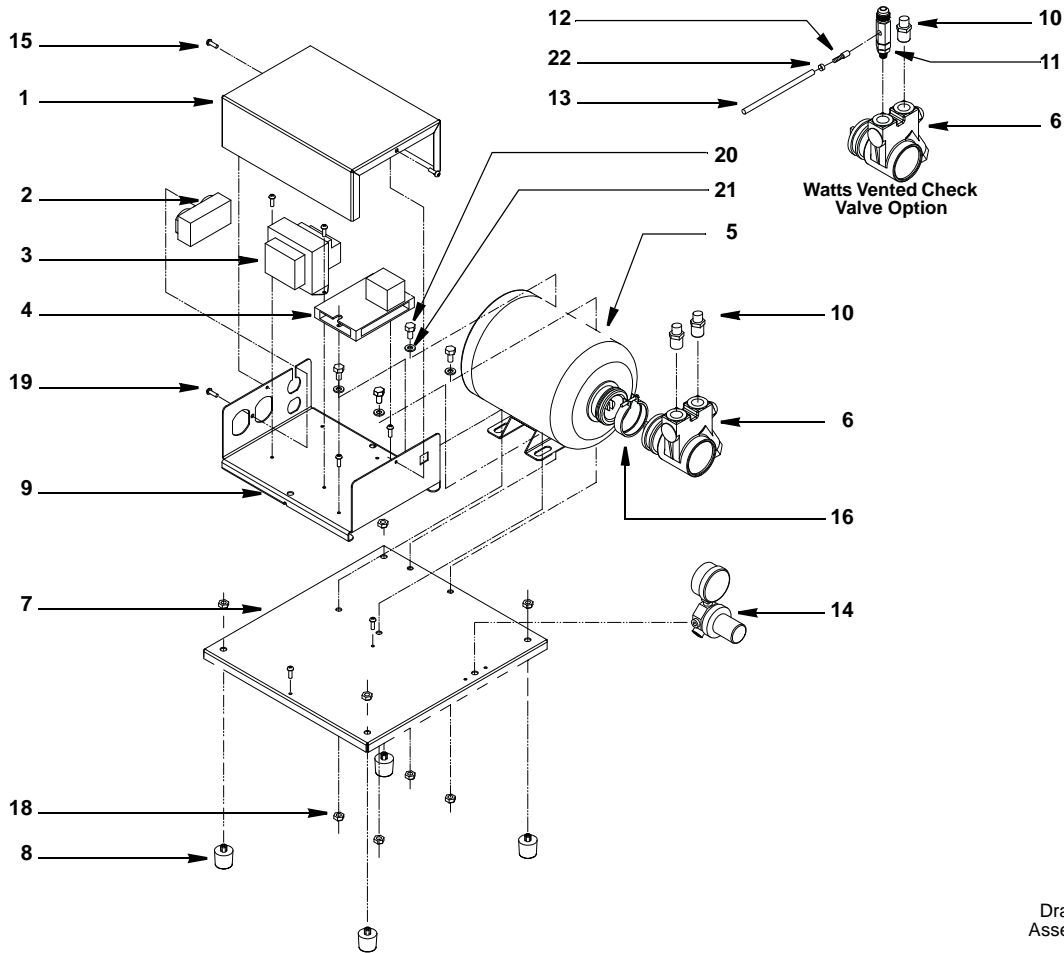
\*\* Item replaces item 25 when vented watts valve option is selected

5010838

**DESCRIPTION**

		<b>PART NO.</b>
1	Mushroom Bushing	0101702
2	U-bar Agitator	5009529
3	U-bar Agitator Pin	5010452
4	Paddle Wheel	2601415
5	Paddle Wheel Area	5001052
6	Screw 8-32x1/2" Knurl Unsit (4x)	5000711
7	Bin Liner	5030667
8	Drain Fitting 3/4"	1200121
9	Drain Elbow 3/4" Female	1200117
10	* Locator Carb Tank	5009599
11	* Horizontal Carbonator Tank	5010006
12	For Probe See 3.5x12.5 Carb Tk Dwg	5009611
13	Motor AY-62	5000868
14	Motor Mount	5001776
15	Bolt 1/4-20x5/8" SS HHCS (4x)	0900601
16	<b>Drain Pan</b>	
	a. Standard Black W/grid	5010660
	b. Galvn Black W/grid	5010584
	c. Galvn Black W/O Grid	5010583
17	<b>Grid</b>	
	a. Standard	5010017
	b. Accufill	5010218
18	Retaining Pin (2x)	5010583
19	<b>Splash Panel</b>	
	a. Stainless Steel	5007823
	b. Galvn Black	5010662
20	Screw 10-32x1/4" Rhms (4 Per Valve)	5011953
21	<b>Valve Mount Cap</b>	
	a. 8 Valve	5003834
	b. 10 Valve	5007289
22	Screw 8-32x1/2 *Znc Ph Rd F (4x)	5000973
23	<b>Merchandiser</b>	
	a. MD-200	5004308
	b. MD-250	5004309
24	Key Switch	5000220
25	* Valve Check Double 1/8" Npt X 0.116 Chudnow	5010380
26	**Fitting 1/8" Male Npt X 3/8" Flare 0.116 Chudnow	5011069
27	<b>Flex Manifold</b>	
	a. 4 Port	020000986
	b. 5 Port	020000987
28	Screw 8-32x1/4" SS Ph Truss (4x)	0901018
29	Manifold Gasket (Cover)	5010332
30	<b>Rocking Chute Assembly</b>	
	a. Wide	5008476
	b. Narrow	5006914
31	Door Lock	5002509
32	Door	5002508
33	Microswitch	1000703
34	Door Mount Left	5002507
35	<b>Rocking Chute</b>	
	a. Wide	5002506
	b. Narrow	5004850
36	Bracket	5003963
37	Screw 8-32x1/2" Zinc Ph Rd F (4x)	5011940
38	Door Mount Right	5002657
39	<b>Lever Optional</b>	
	a. Wide	5008351
	b. Narrow	5004851
40	Pump Deck	5029123

## 5029123 CARB PUMP DECK ASSY - 115V / 60 Hz



Drawing # 5009902  
Assembly # 5011075

### DESCRIPTION

1	Cover Box Elec IC .....	5009659
2	Harness Wiring 115/60 IC .....	5010106
3	Trans 75VA 120V W/breaker .....	N/A
4	Board Liquid Level Circ .....	5009770
5	Motor Carb Pump .....	5010426
6	Pump Head Carb 125 GPH .....	5009613
7	Deck IC Mntg .....	5009767
8	Feet IC Deck Mntg .....	5009768
9	Base Elec Box 115/60 IC .....	5010245
10	Fitting Brass 3/8 THO X 3/8 Barb .....	5009070
11	Valve Chk Vented 3/8" NPT X 3/8" Flare Watts .....	5011070
12	Fitting 1/8" Male NPT X 1/4" Hose Barb S.S. ....	5011068
13	1/4" Tubing .....	1200402
14	Regulator CO <sub>2</sub> 75 Psi With FITTINGS .....	5011604

### Miscellaneous - Brackets, Screw, Etc.

15	Screw 8-32 x1/2" ZNC PH R D F .....	5000973
16	Clamp Pump Head .....	5009036
17	Nut 1/4-20 HEX SS .....	0902105
18	Nut 1/4-20 ESNA SS .....	0902302
19	Screw 6-32X3/8" SS PF RHMS .....	0900904
20	Bolt 1/4-20X1/2" SS HHCS .....	5007377
21	Washer Flat 1/4" SS .....	0901805
22	Clamp OTR 13/32" .....	5011451
23	Plug Heyco Cord Strain Re .....	1200301
24	Cord Electric .....	5008642
25	Cord Motor Carb Pump .....	5009766
26	Cord Pump Motor Electric Box .....	5009769
27	Bracket CO <sub>2</sub> Regulator Mounting .....	5011582
28	Washer Star #8 SS .....	0901915
29	Screw 8 x1/2 Ground SM .....	0903903
30	Tip 1/8" Tiny Plasic .....	0904504
31	Label Amp Unit + .....	N/A
32	Label Wiring 115/100 IC .....	5010251
33	Tape Sealant Teflon .....	5003964