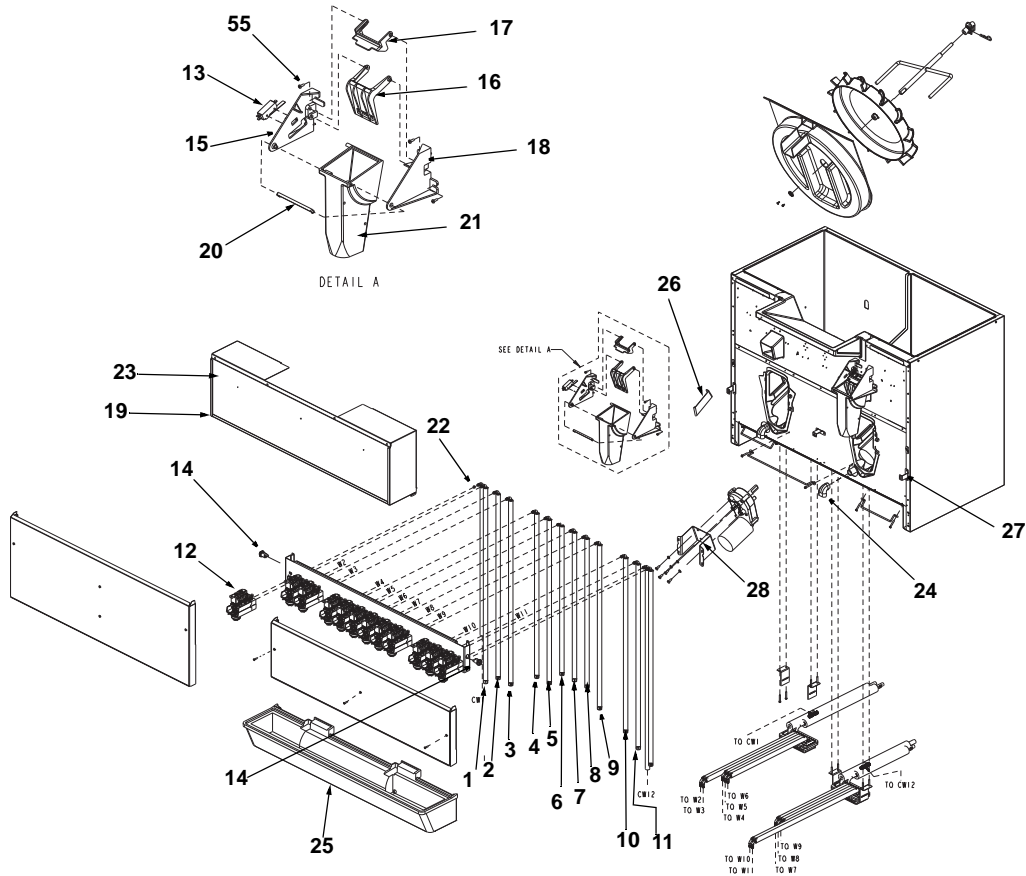




Parts List MII Series

MII-302

MII-302 Base Exploded View Parts List



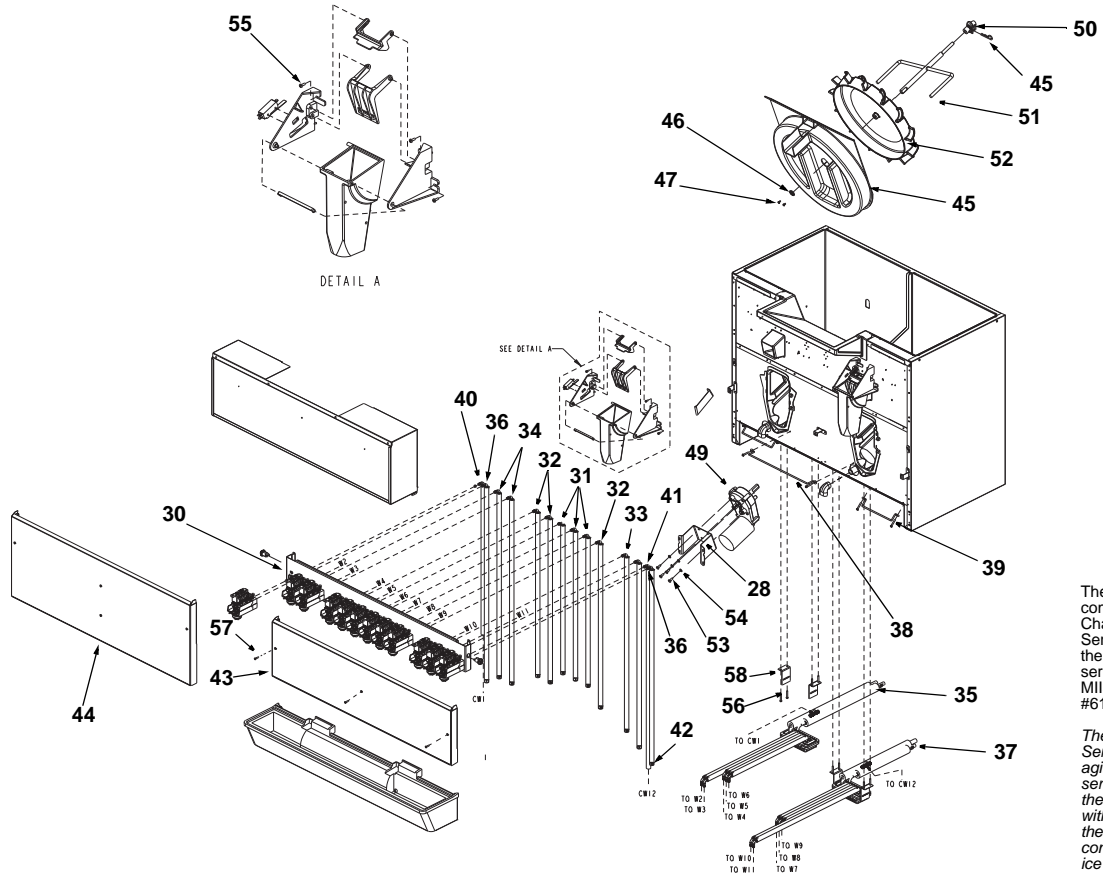
The drive train components Changed to Front Serviceable Units for the following Model & serial numbers: MII302 & MII402 #610039642 & up

The term "Front Serviceable" refers to agitator motors being serviceable through the front of the unit without removal of the drive train components in the ice bin.

DESCRIPTION

		PART NO.
1	Label #1 Tube ID	00200196
2	Label #2 Tube ID	00200197
3	Label #3 Tube ID	00200198
4	Label #4 Tube ID	00200199
5	Label #5 Tube ID	00200200
6	Label #6 Tube ID	00200201
7	Label #7 Tube ID	00200202
8	Label #8 Tube ID	00200203
9	Label #9 Tube ID	00200204
10	Label #10 Tube ID	00200205
11	Label #11 Tube ID	00205611
12	Vlv Dole Ffv 3.00z/sec	00557500
13	Microswitch	1000703
14	Keyswitch	5000220
15	Rocking Chute Door Mount - Left	020002671
16	Rocking Chute Door	5002508
17	Rocking Chute Door Lock	5002509
18	Rocking Chute Door Mount - Right	
a.	Mount only	020002672
b.	Rocking Chute Door Mount Kit	020002673
19	Merch Spot-weld	5003709
20	Rocking Chute Outer Bracket	5003963
21	Chute Rc Narrow	5004850
22	010 O-ring .239 Id X .070 W	5009080
23	Medallion Metal	5009173
24	Elbow 90 Degree Rubber	5010337
25	Drainpan w/o Grid	5010639
26	Restrictor Ice Flow	5013803
27	Clip Panel Splash Deep	5028040
28	Motor Mount (2x)	
a.	Non-Front Serviceable (2x)	5001776
b.	Front Serviceable (2x)	5030951
29	Gasket (9.75) Retainer Seal (2x) (Front Serviceable)	5000725

MII-302 Base Exploded View Parts List



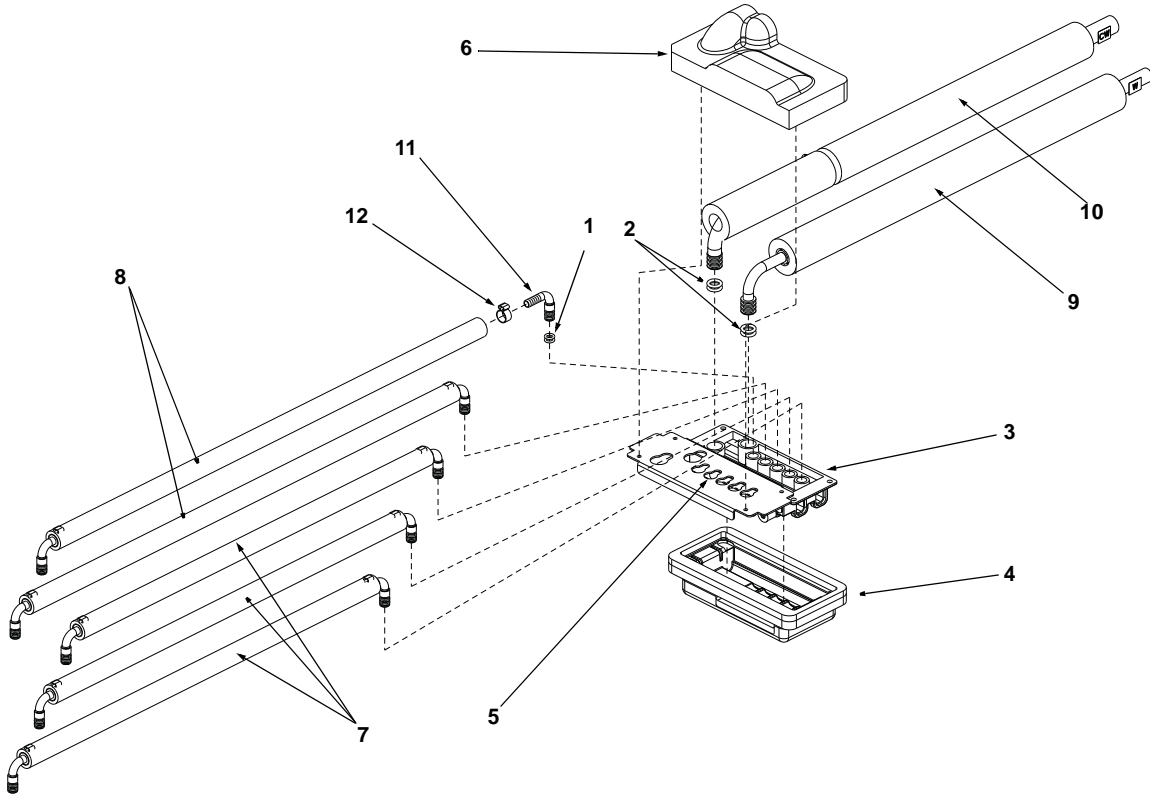
The drive train components Changed to Front Serviceable Units for the following Model & serial numbers: MII302 & MII402 #610039642 & up

The term "Front Serviceable" refers to agitator motors being serviceable through the front of the unit without removal of the drive train components in the ice bin.

DESCRIPTION

DESCRIPTION	PART NO.
30 Valve Mount Cap w/support	5031093
31 Tubing Syrup 29	5031164
32 Tubing Syrup 32	5031165
33 Tubing Syrup 34	5031166
34 Tubing Syrup 36	5031167
35 Manifold 5 Valve Flex Left	5031473
36 Tubing Syrup 38	5031483
37 Manifold 5 Valve Flex Right	5031484
38 Rod Sup Middle	5031561
39 Rod Sup Left & Right Sides	5031562
40 Tube Carb Water 1	5031573
41 Tube Carb Water 12	5031574
42 Label #12 Tube ID	5031625
43 Panel Splash Deep	020000478
44 Panel Splash Deep Extended	020000479
45 Paddle Wheel Area 9.75	5001051
46 Seal Motor Shaft (2x) (Front Serviceable)	5012913
47 #8-32 X 3/8 Lg Sltd Hex Screw (2x) (Front Serviceable)	00850430
48 U-bar Agitator Pin (2x)	
a. Non-Front Serviceable	5010452
b. Front Serviceable Clip Hitch Pin	020001415
49 Agitator Motor	
a. Non-Front Serviceable (2x)	020003650
b. Front Serviceable (2x) 115V	020003596
c. Front Serviceable (2x) 220V/240V Double D Shaft	020001517
50 Mushroom Bushing (2x)	
a. Non-Front Serviceable	0101702
b. Front Serviceable	020001418
51 U-bar Agitator (2x)	
a. Non-Front Serviceable	5009529
b. Front Serviceable	020001568
52 Paddle Wheel (2x)	
a. Non-Front Serviceable	2601415
b. Front Serviceable	020001423
Miscellaneous - Brackets, Screw, Etc.	
53 Bolt 1/4-20x5/8" SS HHCS	0900601
54 Washer Lock 1/4in SS	0901904
55 Screw 8-32 X 1/2	5011940
56 Screw 10-24x1-1/4 Self Tap	5011953
57 8-32 X 1/2 Flat Head Screw	5012944
58 Flex Manifold Bracket	50309835/14

MII-302 Left Manifold - 5031473



DESCRIPTION

	DESCRIPTION	PART NO.
1	010 O-ring .239 ID x .070 W	5009080
2	110 O-ring .364 ID x .103 W	5009763
3	5 Port Manifold Assembly	020000987
4	Manifold Insulation Int Carb	5010332
5	Plate Manifold Mn Tg.	5030994
6	Insulation Set Flex Manifold	5030995
7	Tubing Water 18"	5031485
8	Tubing Water 22"	5031486
9	Tubing Water	5031545
10	Tubing Carb Water	5031546
11	Elbow 90 Deg 1/4" Barb Inlt.	5006468
12	Clamp Otr 112 13.3-706R	13.3-706R

